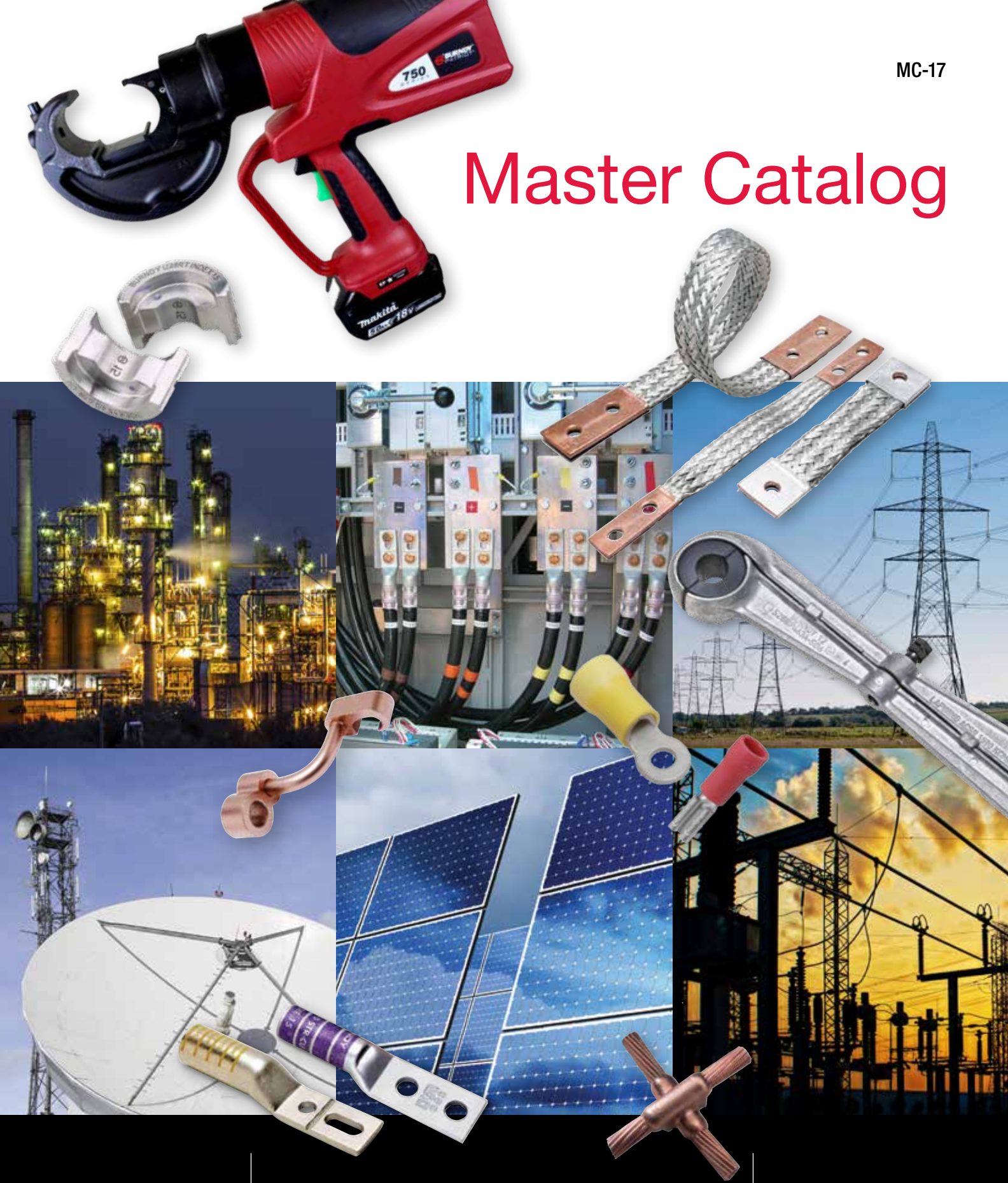
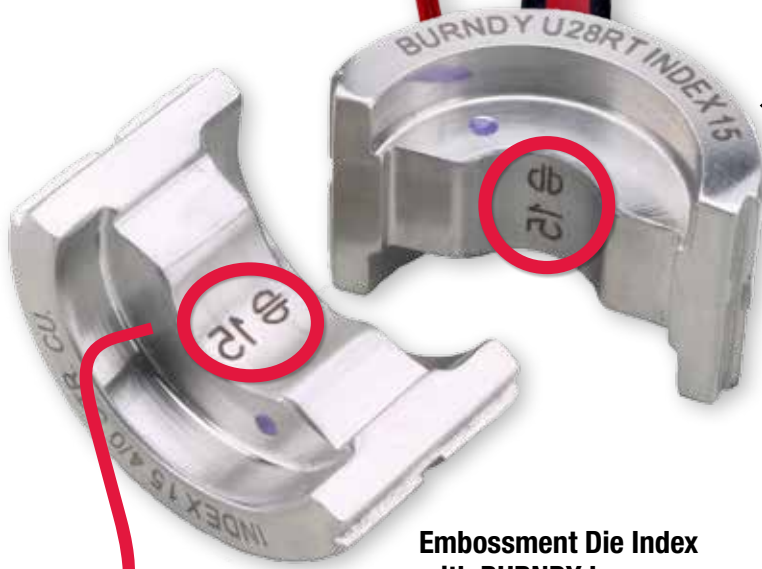


Master Catalog

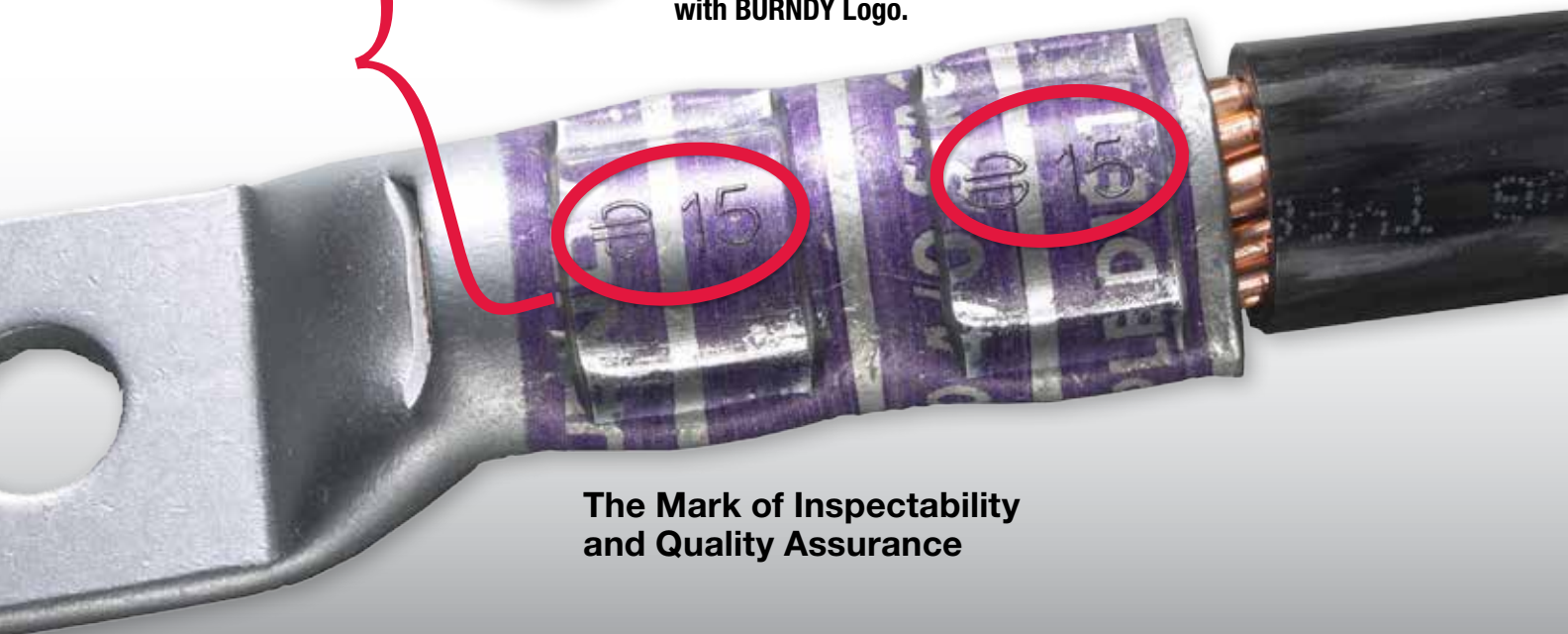


The Mark of Excellence



← Die Catalog Number

Embossment Die Index
with BURNDY Logo.



The Mark of Inspectability
and Quality Assurance

What's New

Section A - Mechanical

UNITAP™ Clear UL Listed for Code and Flex

A-38



VERSIPOLE™ Configurable Power Distribution Blocks for Copper and Aluminum

A-48



Section C - Compression Connectors

Compression Cable Pulling Heads

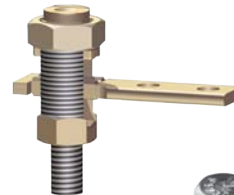
C-217



Section E - Grounding

HandyBug™ The Survival Tool of Electrical Connections (Type SB)

E-33



Fence Fabric Ground Clamps (Type FFG)

E-36



Aluminum Lay-in Lugs (Type BGBS)

E-39



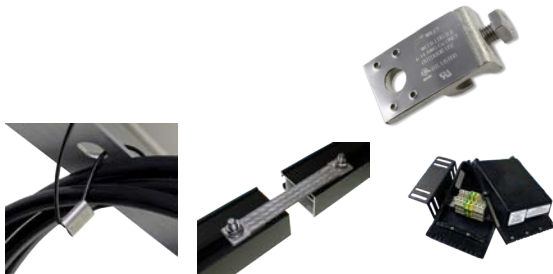
4" Fence Post Ground Clamp (Type GA-H)

E-46



Expanded Wiley Solutions

E-116



What's New (Continued)

Section F - Accessories

PENETROX™ with brush lid

F-3

Cold Seal Splice Kits

F-6



Section H - Overhead Distribution

FASTAP™ with Lineman Assist™ for Copper Conductors

H-18



Section J - In-Line Disconnect Switches

Bolted Wedge In-Line Disconnect Switch

J-17



Section N - Tooling

EP (Enhanced Power) PATRIOT® Tools

Designed to accept an expanded range of Makita batteries (larger capacity 5.0Ah to smaller 2.0Ah) providing more choice and flexibility. See Individual Tool Pages for details.



PAT500SJ6 Series

N-15

PATCUT4CUAL

N-76

PAT500SJCUT Series

N-80

RHCC4CUAL

N-85



MECHANICAL

SMALL TERMINALS

COMPRESSION CONNECTORS

HARDWARE

GROUNDING (Compression, Mechanical, Exothermic, Wiley Solutions)

ACCESSORIES

CABLE TIES

OVERHEAD DISTRIBUTION

TRANSMISSION

THE WEJTAP™ System, In-Line Disconnect Switches

UNDERGROUND

SUBSTATION (Bolted)

SUBSTATION (Welded/EHV)

TOOLING (Crimpers)

TOOLING (Dies, Die Kits)

TOOLING (Cutters)

TOOLING (Hydraulic Pumps, Torque Tools, Gauges, General Accessories)

TOOLING (WEJTAP™ Tooling)

TOOLING (Auger Bits, Low Pressure Hydraulic Tooling and Accessories)

REFERENCE AND INDEX

TABLE OF CONTENTS

Lightning Protection Information.....	A-2	QIKLUG™ Two Conductor (Cu) Type Q2A.....	A-17	Splice/Reducer (Cu/Al) Type AMS.....	A-33
Special Features.....	A-2	QIKLUG™ Three Conductor (Cu) Type Q3A.....	A-17	Above Grade Splice Kit (Cu/Al) Type AGSKIT.....	A-34
SERVIT® Split-bolts (Cu/Cu-Weld) Types KS / KS-3.....	A-3	QIKLUG™ (Cu) Type QB.....	A-18	Underground/Watertight Splice Kit (Cu/Al) Type UGSKIT.....	A-34
SERVIT® Covers Type SC.....	A-3	QIKLUG™ Two Conductor (Cu) Type Q2B.....	A-18	Direct Burial Splice Kit (Cu) Type UGSKIT8.....	A-35
Universal SERVIT® Split-bolts (Cu/Al/ ACSR/AAAC/5005/Steel) Type KSU.....	A-4	QIKLUG™ (Cu) Type QDA.....	A-19	Direct Burial In-Line Splice/Reducer (Cu/Al) Type UGS350ULDB.....	A-35
TRITAP™ SERVIT® Split-bolts (Al/Cu) Type KSA.....	A-5	QIKLINK™ Splice/Reducer (Cu) Type QR.....	A-19	THE MOLE™ Direct Burial Splice/Reducer Type BISR-DB.....	A-36
OKLIP™ (Cu/Cu-Weld) Type KVS.....	A-6	VARILUG™ (Cu) Type VA / VVA.....	A-20	Direct Burial Submersible Connectors (Cu/Al) Type BIBS-DB.....	A-37
Universal OKLIP™ (Cu/Al/ACSR/AAAC/5005) Type KVSU.....	A-6	Bar Clamp Assembly Components (Cu) Type HFB-P1.....	A-21	UNITAP™ Clear Insulated Multi-Tap (Cu/Al) Code & Flex.....	A-38
OKLIP™ (Cu/Cu-Weld) Type KVSU.....	A-7	Bar Clamp Tap Pad Adapter (Cu) Type HFB-N.....	A-22	UNITAP™ Clear Insulated Multi-Tap (Cu/Al) Code only.....	A-43
OKLIP™ (Cu/Al/ACSR/AAAC/5005).....	A-7	Lay-in QIKLUG™ (Cu) Type CL50-1.....	A-23	UNITAP™ UV Rated Black Insulated Multi-Tap (Cu/Al) Code Only.....	A-47
VERSITAP™ Parallel Clamp (Cu/Cu-Weld) Type QPX.....	A-8	Lay-in QIKLUG™ (Cu) Type CL.....	A-23	VERSIPOLE™ Configurable Power Distribution Blocks (Cu/Al) Code and Flex.....	A-48
Universal VERSITAP™ Parallel Clamp (Cu/Al) Type QPX-Y.....	A-9	POLYTAP™ Insulated Gutter Tap (Cu/Al) Type KPU-AC.....	A-24	VERSIPOLE™ (Cu/Al) Code only.....	A-51
VARITAAP™ T-Connector (Cu Cable to Cable) Type VT.....	A-10	Riser Tap (Cu/Al) Type UCU-AC.....	A-24	Aluminum Neutral Bar (Al) Type K-AG1.....	A-55
Transformer Tap Adapter (Cu) Type E-C-G.....	A-10	QIKLUG™ Lay-In (Cu/Al) Type BGBl.....	A-25	Copper Neutral Bar (Cu) Type K-G1.....	A-56
BARTAP™ (Cu Cable to Flat) Type QGFL.....	A-11	Universal Terminals (Cu/Al) Type KA-U / KKA-U.....	A-26	Miscellaneous Accessories Terminal Blocks Type RK.....	A-57
Transformer Tap Adapter (Cu/Al) Type FCB.....	A-11	Anti-Rotational Universal Terminals (Cu/Al) Type KA-UAR.....	A-27	Wall-Mounted Termination Enclosures Type BWTE.....	A-58
Insulation Piercing (Cu/Al) Type BIPC.....	A-12	Two Conductor Universal Terminals (Cu/Al) Type K2A-U.....	A-28	Pad-Mounted Termination Enclosures Type BPTE.....	A-59
SCRULUG™ (Cu) Type KPA.....	A-13	Three Conductor Universal Terminals (Cu/Al) Type K3A-U / KK3A-U.....	A-29	Disposable Enclosure Locks Type BPCL.....	A-60
SCRULUG™ Unplated (Cu) Type KPA-UP.....	A-13	Four Conductor Universal Terminals (Cu/Al) Type K4A-U / KK4A-U.....	A-30	U-BLOK™ Power Distribution Blocks.....	A-61
SCRULUG™ Offset Tongue (Cu) Type KLU.....	A-14	Panelboard Universal Lugs (Cu/Al) Type K11A-U / K21A-U / K22A-U.....	A-30	SPEC-BLOK™ Power Distribution Blocks	A-63
KA-LUG™ (Cu) Type KA.....	A-15	Six and Eight Conductor Universal Terminals (Cu/Al) Type K6A-U / KK6A-U / K8A-U / KK8A-U.....	A-31	SPEC-BLOK™ Questionnaire.....	A-66
VERSILUG™ (Cu) Type EA.....	A-15	Transformer Lug Kits (Cu/Al) Type KAU-KIT.....	A-32		
QIKLUG™ (Cu) Type QA / QQA.....	A-16				

⚡ LIGHTNING PROTECTION INFO.

Basic rules for selection are:

1. Must be like material to the conductor.
 2. Two bolts to ground rod - minimum.
 3. Cable to cable connections can be anything, one bolt, two bolt, compression, etc.
 4. Cable to steel structure must have 8 square inch contact with steel.
 5. Heavy duty stacks - mechanical only.
 6. On all connectors with heavy duty stack rating, we must offer 1/16" thick lead plating as an option. The reason for that is closest 25 ft. to stack opening must use lead coated product.
- ~ Complies with NFPA 78-86 Ordinary Structures.
~ ~ Complies with NFPA 78-86 Heavy Duty Stacks. (Order: LD for Lead Plating for Heavy Duty Stack applications.)

SPECIAL FEATURES

Other features are also available for products listed, such as undrilled or special drilling, 45° or 90° pad angles, belling for extra flexible cable, smooth or special threaded studs, special label-

ing or packaging, extra long braid, and nuclear certification. Please contact BURNDY Customer Service for any inquiries.

**ALL OTHER SPECIAL REQUESTS
PLEASE CONTACT
BURNDY CUSTOMER SERVICE
1-800-346-4175**

REVOLUTIONARY BURNDY® DESIGN MEETS STRICT UL486B STANDARDS

For use on all combinations

- Aluminum to aluminum
- Aluminum to copper
- Copper to copper

Patented

... and puts the bite on
aluminum connections
forever!



Unique “bite and grip”
TRITAP™ SERVIT® contact
delivers safe, long-term
reliability — even without
scratch brushing ... without
oxide inhibiting compounds.†

† When used in NEC applications of insulated cables only.

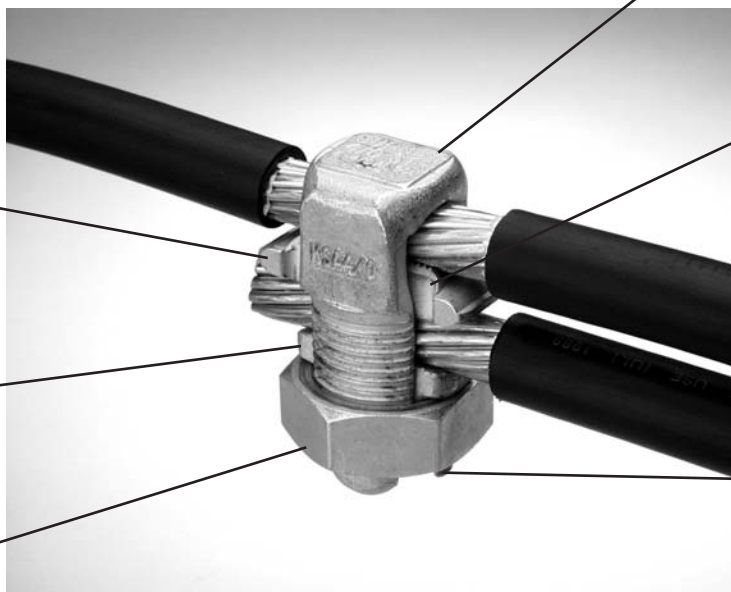
Available in sizes from #10 through 500 kcmil

Triangular edges bite into cable to break through surface oxides:

- provide low contact resistance
- produces gas tight seal

Tin-plated contact surface inhibits oxide formation

Special heat-treated hard, aluminum alloy



Spacer provides built-in separation to retard galvanic corrosion

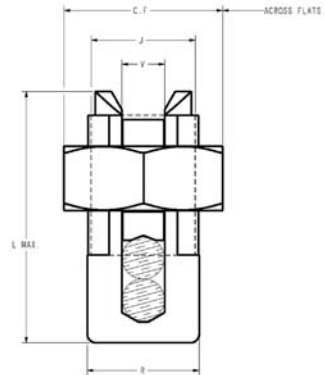
Anti-galling, high efficiency threaded components result in high contact force. Easily installed using standard, everyday wrenches.

TYPES KS & KS-3

SERVIT®

For Copper, Copperweld

Compact, high strength, high copper alloy SERVIT® split-bolt has free-running threads and easy to grip wrench flats. Highly resistant to season cracking and corrosion, the SERVIT® provides maximum pressure and assures a secure connection on all combinations of run and tap conductors. Type KS-3 accommodates 3 maximum size conductors.



Catalog Number	Cross Flats	L	W	Conductor						▲ Recommended Tightening Torque (in-lb)
				Copper		Copperweld				
				Equal Run & Tap	Min Tap with Max Run	Maximum Run and Tap		Sol.	Str.	
† KS90	0.50	0.85	0.38	12 - 10 Str.	16 Str.	#10	—	—	—	80
† KS15	0.50	0.85	0.38	10 - 8 Str.	14 Str.	#8	—	—	—	80
† KS17	0.63	1.14	0.45	8 Str. - 6 Sol.	14 Str.	#6	3 #12	8A	9-1/2D	165
* KS17-3	0.62	0.98	0.70	8 Str. - 6 Sol.	16 Str.	#6	3 #12	8A	9-1/2D	165
† KS20	0.69	1.20	0.51	8 Str. - 4 Sol.	14 Str.	#4	3 #10	6A	8D	165
* KS20-3	0.68	1.17	0.78	8 Str. - 4 Sol.	14 Str.	#4	3 #10	6A	8D	165
† KS22	0.75	1.50	0.60	6 Str. - 2 Sol.	14 Str.	#2	3 #8	4A	6D	275
* KS22-3	0.74	1.33	0.84	6 Str. - 2 Sol.	14 Str.	#2	3 #8	4A	6D	275
† KS23	0.82	1.54	0.62	6 Str. - 2 Str.	14 Str.	#1	3 #7	3A	5D	275
† KS25	0.94	1.77	0.73	4 Str. - 1/0 Str.	14 Str.	2/0	3 #5	2A	4D	385
† KS26	1.05	1.94	0.82	2 Str. - 2/0 Str.	14 Str.	3/0	7 #7	—	—	385
† KS27	1.36	1.86	1.17	1 Str. - 3/0 Str.	8 Sol.	—	—	—	—	500
† KS29	1.36	2.07	1.17	1 Str. - 250	8 Str.	4/0	7 #5	—	—	650
† KS31	1.70	2.51	1.41	1/0 Str. - 350	1/0 Str.	—	19 #8	—	—	650
† KS34	1.82	2.79	1.48	2/0 Str. - 500	2/0 Str.	—	19 #6	—	—	825
KS39	2.31	3.29	1.94	4/0 Str. - 750	4/0 Str.	—	19 #5	—	—	1000
KS44	2.56	3.73	2.19	300 - 1000	4/0 Str.	—	—	—	—	1100

▲ Listed torque values are for maximum conductor combinations accommodated. Consult UL486 Tables 7-4, 7-5, 7-6 for smaller conductor combinations.

See note LIGHTNING PROTECTION INFO.

* Not UL Listed or CSA Certified.

† In addition to UL Listed for wire connectors and CSA Certified, these items are also UL rated for direct burial.

TYPE SC

SERVIT® COVER

HUG-A-BUG

Used indoors or outdoors, this compact, one-piece plastic SERVIT® cover saves time and material, eliminates costly taping of split-bolts. Positive latch snaps easily and quickly over connector, ideal for tight quarters. Self-positioning plastic fingers wrap around wires fully insulating joint. UL Listed for 600 volt indoor application with type KS. Three covers accommodate a range of 6 SERVIT® sizes through 2/0 Str.



Catalog Number	For Use With
SC4	KS17, KS17-3, KS20, KSU17, KSU20
SC2	KS22, KS20-3, KS23, KS22-3, KSA6, KSA4, KSU22, KSU23
SC2/0	KS25, KS26, KSA2, KSA1/0, KSU25, KSU26

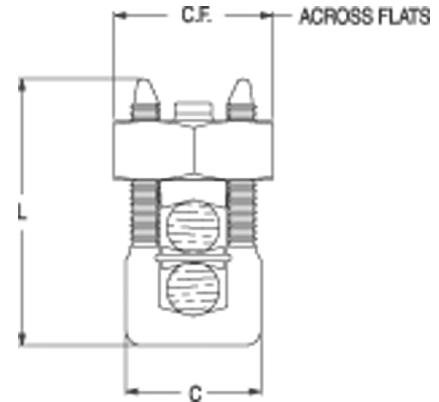
TYPE KSU

UNIVERSAL SERVIT®

For Use On All Combinations of Copper, Aluminum, ACSR, AAAC, 5005, and Steel

Tin-plated, high strength, copper alloy SERVIT® split-bolt with spacer. Spacer separates dissimilar conductors and provides long contact length that prevents high pressure point contacts between run and tap conductors.

Use of PENETROX™ joint compound recommended with Aluminum and ACSR.



Copper Only



486A
Copper Only

Catalog Number	Cross Flats	L	W	Conductor							Recommended Tightening Torque (in-lb)
				Run		Tap		Steel (Max Conductor)			
				Copper & Aluminum	ACSR AAAC 5005	Copper & Aluminum	ACSR AAAC 5005	Sol. BWG	3 Str. BWG	Nom. Dia.	
KSU17	0.62	0.92	0.42	12 Sol. - 6 Sol.	8 (6-1)	12 Sol. - 6 Sol.	8 (6-1)	8	—	5/32	165
KSU20	0.69	1.05	0.48	10 Sol. - 4 Sol.	6 (6-1)	10 Sol. - 4 Sol.	6 (6-1)	6	8	7/32	165
KSU22	0.74	1.25	0.57	10 Sol. - 2 Sol.	6 (6-1) - 4 (7-1)	10 Sol. - 2 Sol.	6 (6-1) - 4 (7-1)	4	6	1/4	275
KSU23	0.81	1.48	0.59	8 Str. - 2 Str.	3 (6-1) - 2 (6-1)	8 Sol. - 2 Str.	6 (6-1) - 2 (6-1)	—	4	5/16	275
KSU25	0.93	1.77	0.70	2 Str. - 1/0 Str.	3 (6-1) - 1 (6-1)	10 Str. - 1/0 Str.	6 (6-1) - 1 (6-1)	—	—	3/8	385
KSU26	1.04	1.93	0.79	2 Str.-2/0 Str.	1 (6-1) - 1/0 (6-1)	8 Str. - 2/0 Str.	6 (6-1) - 1/0 (6-1)	—	—	7/16	385
KSU27	1.38	2.34	1.12	1 Str. - 3/0 Str.	1 (6-1) - 2/0 (6-1)	8 Sol. - 3/0 Str.	8 (6-1) - 2/0 (6-1)	—	—	1/2	500
KSU29	1.38	2.50	1.58	1Str. -250 kcmil	2/0 (6-1) - 4/0 (6-1)	8 Str. - 250	6 (6-1) - 4/0 (6-1)	—	—	1/2	650
KSU31	1.69	2.88	1.36	1/0 Str. - 350 kcmil	3/0 (6-1) - 4/0 (6-1)	4 Str. - 350	4 (6-1) - 4/0 (6-1)	—	—	5/8	650
KSU34	2.00	3.12	1.47	400 - 500 kcmil	336 (30-7) - 477 (18-1)	2 Str. - 500	2 (6-1) - 477 (18-1)	—	—	—	825

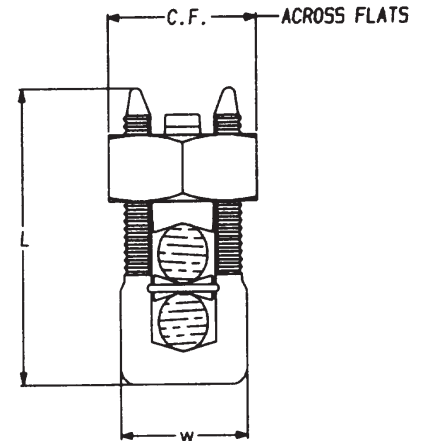
Accommodates compressed conductors within conductor ranges.
 ✓ See note LIGHTNING PROTECTION INFO.

TYPE KSA

TRITAP™ SERVIC®

For All Combinations of Aluminum to Aluminum, Aluminum to Copper and Copper to Copper, Aluminum Alloy Tin Plated

PATENTED TRIANGULAR PENETRATION TECHNOLOGY CONTACT



Features & Benefits

- No scratch brushing required.
- No oxide inhibitor required.
- Orients the conductor.
- Provides maximum pressure and assures a secure connection of run and tap conductors.
- Facilitates piercing the aluminum conductor surface oxides.
- UL 486B listed, 90°C rated.
- Provides a low contact resistance.
- Provides equal coefficient of expansion
- Inhibits the reformation of oxides by producing a gas-tight seal.
- Provides improved retention of minimum to maximum conductor combinations.

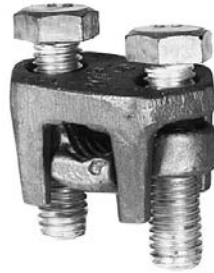
Catalog Number	Cross Flats	L	W	Alum. to Alum., Alum. to Copper, Copper to Copper Conductors			Recommended ▲ Tightening Torque (in-lb)
				Max Run to Max Tap	Min Run to Min Tap	Max Run to Min Tap	
KSA6	0.75	1.58	0.56	#6 Str. (0.184) - #6 Str. (0.184)	#10 Sol. (0.102) - #10 Sol. (0.102)	#6 Str. (0.184) - #10 Sol. (0.102)	165
KSA4	0.81	1.38	0.62	#4 Str. (0.232) - #4 Str. (0.232)	#8 Sol. (0.129) - #10 Sol. (0.102)	#4 Str. (0.232) - #10 Sol. (0.102)	165
KSA2	0.94	1.58	0.69	#2 Str. (0.292) - #2 Str. (0.292)	#6 Sol. (0.169) - #8 Str. (0.146)	#2 Str. (0.292) - #8 Sol. (0.146)	275
KSA1/0	1.00	1.92	0.75	#1/0 Str. (0.373) - #1/0 Str. (0.373)	#2 Str. Compact (0.268) - #8 Sol. (0.129)	#1/0 Str. (0.373) - #8 Sol. (0.129)	385
KSA2/0	1.12	1.92	0.88	#2/0 Str. (0.418) - #2/0 Str. (0.418)	#2 Str. Compact (0.268) - #8 Str. (0.146)	#2/0 Str. (0.418) - #8 Str. (0.146)	385
KSA4/0	1.49	2.54	1.13	#4/0 Str. (0.528) - #4/0 Str. (0.528)	#2 Str. Compact (0.268) - #6 Str. (0.184)	#4/0 Str. (0.528) - #6 Str. (0.184)	500
KSA350	1.69	3.24	1.50	350 kcmil (0.681) - 350 kcmil (0.681)	#1/0 Str. Compact (0.336) - #4 Str. (0.232)	350 kcmil (0.681) - #4 Str. (0.232)	650
KSA500	2.00	3.62	1.73	500 kcmil (0.813) - 500 kcmil (0.813)	400 kcmil Compact (0.659) - #2 Str. Compact (0.268)	500 kcmil (0.813) - #2 Str. Compact (0.268)	825

▲ Listed torque values are for maximum conductor combinations accommodated. Consult UL486 Tables 7-4, 7-5, 7-6 for smaller conductor combinations.
** No scratch brushing or oxide inhibiting compounds required for insulated 90° C max. rated conductor for N.E.C. applications.

TYPE KVS

OKLIP™

Copper & Copperweld



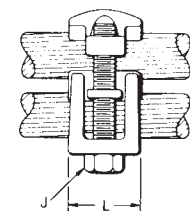
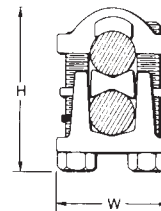
Compact, two-piece, high strength, high copper alloy BURNDY® OKLIP™ recommended for heavy duty connections. Neoprene rings hold DURIMUM™ silicon bronze bolts in place during installation. Installed with ordinary wrench.

Catalog Number	Conductor					▲ Recommended Tightening Torque (in-lb)
	Copper		Copperweld			
	Run	Tap	Max Run & Tap			
			Sol.	Str.	Type V	
KVS26	2 Str. - 2/0 Str.	6 Str. - 2/0 Str.	3/0	7 #8	—	180
KVS28	1/0 Str. - 4/0 Str.	10 Str. - 4/0 Str.	4/0	7 #6	V3/0	250
KVS31	250 - 350 kcmil	10 Str. - 350 kcmil	—	19 #8	V250	325
KVS34	400 - 500 kcmil	10 Str. - 500 kcmil	—	19 #6	V350	375
KVS40	400 - 800 kcmil	3/0 Str. - 800 kcmil	—	19 #5	—	500
KVS44	500 - 1000 kcmil	3/0 Str. - 1000 kcmil	—	—	—	500

▲ Listed torque values are for maximum conductor combinations accommodated. Consult UL486 Tables 7-4, 7-5, 7-6 for smaller conductor combinations.
 ✓ See note LIGHTNING PROTECTION INFO.

TYPE KVSU

UNIVERSAL OKLIP™



Mechanical Connector All Combinations of Copper, Aluminum, ACSR, AAAC & 5005

Compact, high strength, tin plated copper alloy two-piece connector with spacer and tin-plated silicon bronze DURIMUM™ hardware. Recommended for heavy duty connections. Spacer separates

dissimilar conductors and provides long contact length. Neoprene ring prevents loss of shorter bolt during installation. Longer peened bolt

permits swivel action for easier installation. Use of PENETROX™ joint compound recommended with aluminum and ACSR.

Catalog Number	Conductor								H	J	L	W	Rec. Tightening Torque (in-lb)
	Run		Tap		Run		Tap						
	Copper & Alum	ACSR, AAAC, & 5005	Copper & Alum	ACSR, AAAC, & 5005	Copper Sol., Copperweld Sol.	Steel Nom. Dia.	Copper Sol., Copperweld Sol.	Steel Nom. Dia.					
KVSU26	2 Str. - 2/0 Str.	3 - 2/0	6 Str. - 2/0 Str.	6 - 2/0	1 - 3/0	5/16 - 7/16	#6 - 3/0	3/16 - 7/16	2	5/16	1	1-1/2	180
KVSU28	1/0 Str. - 4/0 Str.	1/0 - 4/0	6 Str. - 4/0 Str.	6 - 4/0	2/0 - 4/0	3/8 - 1/2	#6 - 4/0	5/32 - 1/2	2-3/8	3/8	1-1/8	1-3/4	250
KVSU31	250 - 350 kcmil	4/0 - 300	#6 - 350	6 - 300	-	9/16 - 5/8	#6 - 4/0	3/16 - 5/8	2-5/8	1/2	1-3/8	2-1/8	325
KVSU34	400 - 500 kcmil	336.4 - 397.5	#4 - 500	5 - 397.5	-	3/4 - 3/4	#4 - 4/0	7/32 - 3/4	3	1/2	1-1/2	2-1/4	375
KVSU40	400 - 800 kcmil	4/0 - 800	4/0 - 800	3/0 - 715.5	-	3/4 - 1	-	1/2 - 1	3-1/2	1/2	1-5/8	2-1/2	500
KVSU44	500 - 1000 kcmil	4/0 - 1000	4/0 - 1000 kcmil	4/0 - 900	-	7/8 - 1 1/8	-	1/2 - 1 1/8	4	3/8	2	3	500

Accommodates compressed conductors within diameter range. ✓ See note LIGHTNING PROTECTION INFO.

TYPE KVS

OKLIP™

Mechanical Connector
For Copper and Copperweld



Similar to OKLIP™ Type KVS except for a high copper alloy spacer that separates run and tap conductors. Provides high contact pressure, confines conductor strands, and assures vibration-proof connection. Longer peened bolt, permits swivel action for easier installation. Silicon bronze DURIMUM™ hardware.

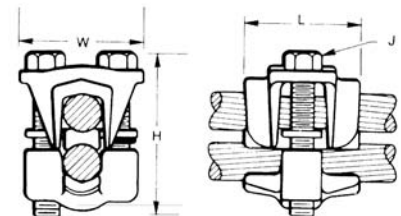
Catalog Number	Conductor		Recommended Tightening Torque (in-lb)
	Run	Tap	
KVSW26	2 Str. - 2/0 Str.	6 Sol. - 2/0 Str.	180
KVSW28	1/0 Str. - 4/0 Str.	6 Sol. - 4/0 Str.	250
KVSW31	250 - 350 kcmil	4 Sol. - 350 kcmil	325
KVSW34	400 - 500 kcmil	4 Str. - 500 kcmil	375
KVSW40	400 - 800 kcmil	AWG 4/0 - 800 kcmil	500
KVSW44	500 - 1000 kcmil	250 - 1000 kcmil	500

↗ See note LIGHTNING PROTECTION INFO.

TYPE KVS-A

ALUMINUM OKLIP™

For Use On All Combinations of
Copper, Aluminum†, ACSR†, AAAC
and 5005



Three-piece, high-conductivity, non-copper bearing aluminum alloy connector with thick spacer and aluminum hardware. Hardware in KVS26A and KVS28A is stainless steel. Recommended for heavy duty dissimilar metal applications. Spacer separates conductors and provides long contact

length. Belled entrances prevent chafing, permit easier assembly of conductors. Longer peened bolt permits swivel action for easier installation. Neoprene ring prevents loss of shorter bolt. PENETROX™ joint compound recommended with aluminum and ACSR.

THESE CONNECTORS CAN ACCOMMODATE ACSR CONDUCTORS OVER ARMOR ROD WITHIN THE DIAMETER RANGE INDICATED.
APPLICATION OVER ARMOR ROD

Catalog Number	Conductor				Rec. Tightening Torque (in-lb)	Conductor Range by Diameter			H	J	L	W
	Run		Tap			Min. Run Dia.	Min. Tap Dia.	Max. Run & Tap Dia.				
	Copper, & Alum.†	ACSR†, AAAC, & 5005	Copper, & Alum.†	ACSR†, AAAC & 5005								
KVS26A	2 Str. - 2/0 Str.	#4 - 2/0	10 Str. - 2/0 Str.	#6 - 2/0	180	0.28	0.12	0.45	2-1/4	5/16	1-1/4	1-5/8
KVS28A	1/0 Str. - 4/0 Str.	1/0 - 4/0	10 Str. - 4/0 Str.	#6 - 4/0	240	0.36	0.12	0.56	3	3/8	1-5/8	2-1/16
KVS31A	250 - 350	4/0 - 336.4	6 Str. - 350 kcmil	#6 - 336.4 kcmil	300	0.57	0.18	0.68	3-1/16	1/2	1-15/16	2-7/16
KVS34A	400 - 500	336.4 - 397.5	4 Str. - 500 kcmil	#5 - 397.5 kcmil	300	0.73	0.22	0.81	3-9/16	1/2	2-5/16	2-5/8
KVS40A	400 - 800	336.4 - 715.5 kcmil	3/0 Str. - 800 kcmil	#3/0 - 715.5	300	0.73	0.47	1.04	4-1/16	1/2	2-7/16	2-7/8
KVS44A	500 - 1000	397.5 - 900 kcmil	3/0 Str. - 1000 kcmil	#3/0 - 900 kcmil	480	0.80	0.47	1.16	4-7/8	5/8	2-1/2	3-1/8

† Accommodates compressed conductors within diameter range. ↗ See note LIGHTNING PROTECTION INFO.

TYPE QPX

VERSITAP™

Parallel Clamp For Copper, Copperweld, Copperweld-Copper



The VERSITAP™ Type QPX is recommended for Tee, Cross, Parallel, Butt and Tap connections. Range-taking, only 10 connectors required to accommodate conductor sizes from #6 Str. to 1000 kcmil. Edges are rounded for easy taping. Made of high strength, high-conductivity copper alloy and silicon bronze DURIMUM™ hardware.

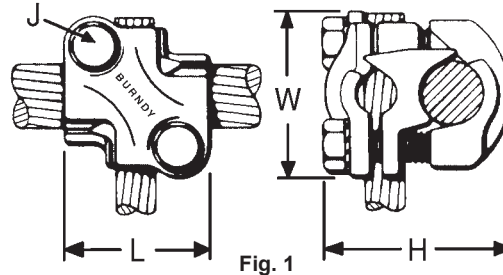


Fig. 1

* For various configurations, see page TYPE QPX-Y

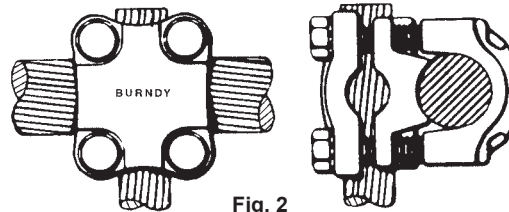


Fig. 2

Catalog Number	Copper Conductor		Fig. No.	Dimensions				Rec. Tightening Torque in-lb ▲	Conductor			
	Run	Tap		H	J	L	W		Run		Tap	
									Copperweld	Copperweld - Copper	Copperweld	Copperweld - Copper
QPX2C2C	6 Str. - 2 Str.	6 Str. - 2 Str.	1	1-1/2	5/16	1-5/16	1-3/8	150	5 Sol. - 3#7	8A - 4A	5 Sol. - 3#7	8A - 4A
QPX282C	1 Str. - 4/0 Str.	6 Str. - 2 Str.		2-1/16								
QPX2828	1 Str. - 4/0 Str.	1 Str. - 4/0 Str.		2-3/8	3/8	1-13/16	1-13/16	250	7#9 - 7#5	3A - 3/0V	7#9 - 7#5	3A - 3/0V
QPX342C	250 - 500 kcmil	6 Str. - 2 Str.			5/16	1-3/8	1-7/8				5 Sol. - 3#7	8A - 4A
QPX3428	250 - 500 kcmil	1 Str. - 4/0 Str.		2-3/4	3/8	1-3/4	2-1/16	375	19#19 - 19#6	4/0 EK	7#9 - 7#5	3A - 3/0V
QPX3434	250 - 500 kcmil	250 - 500 kcmil				2	3				2-1/16	2-3/16
QPX442C	500 - 1000 kcmil	6 Str. - 2 Str.	1	2-11/16	5/16	1-3/8	2-1/4	500	19#6	—	5 Sol. - 3#7	8A - 4A
QPX4428	500 - 1000 kcmil	1 Str. - 4/0 Str.		2-7/8							1-13/16	7#9 - 7#5
QPX4434	500 - 1000 kcmil	250 - 500 kcmil	2	3-1/16	3/8	2-1/16	2-7/16	500	19#6	—	19#19 - 19#6	4/0 EK
QPX4444	500 - 1000 kcmil	500 - 1000 kcmil									3-7/16	2-5/8

▲ Listed torque values are for maximum conductor combinations accommodated. Consult UL486 Tables 7-4, 7-5, 7-6 for smaller conductor combinations.

⚡ See note LIGHTNING PROTECTION INFO.

TYPE QPX-Y

UNIVERSAL VERSITAP™

Universal Parallel Clamp For Copper and Aluminum



High copper alloy cast connector, tin-plated for use with copper or aluminum cable. Makes parallel, tap, tee, cross or end-to-end connections. Edges rounded for easy taping. PENETROX™ joint compound recommended.

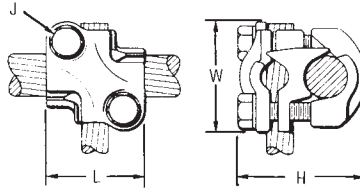


Fig. 1

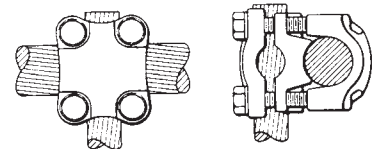


Fig. 2

Catalog Number	Run	Tap	Fig. No.	H	J	L	W	Recommended Tightening Torque in-lb ▲
QPX2C2C-Y	6 Str.-2 Str.	6 Str.-2 Str.	1	1-5/8	5/16	1-1/2	1-5/8	150
QPX282C-Y	1 Str. - 4/0 Str.	6 Str.-2 Str.	1	1-7/8	5/16	1-1/2	1-7/8	150
QPX2828-Y	1 Str. - 4/0 Str.	1 Str. - 4/0 Str.	1	2	3/8	2	2-1/8	250
QPX342C-Y	250 - 500 kcmil	6 Str.-2 Str.	1	2-1/4	5/16	1-1/2	2-1/8	375
QPX3428-Y	250 - 500 kcmil	1 Str. - 4/0 Str.	1	2-1/2	3/8	2	2-1/2	375
QPX3434-Y	250 - 500 kcmil	200 - 500 kcmil	2	2-7/8	3/8	2-1/2	2-5/8	375
QPX4444-Y	750 - 1000 kcmil	750 - 1000 kcmil	2	3-7/8	1/2	3-1/2	3-1/2	500

▲ Listed torque values are for maximum conductor combinations accommodated. Consult UL486 Tables 7-4, 7-5-7-6 for smaller conductor combinations.

↙ See note LIGHTNING PROTECTION INFO.

APPLICATION VARIATIONS

PARALLEL



TAP



CROSS



SPLICE



TEE

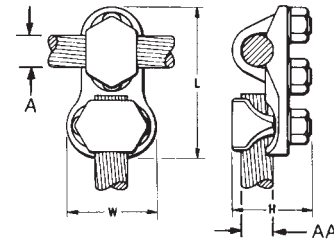


TYPE VT

VARITAP™ T-CONNECTOR

For Copper Cable to Cable

High copper alloy T-connector for cable run, cable tap. V-bolt clamping elements accommodate large range of cable and are particularly suited for extra flexible cable. One-wrench installation.



Catalog Number	Conductor		H	L	W	Recommended Tightening Torque	
	Run (A)	Tap (AA)				Run	Tap
VT2C2C	8 AWG-2 AWG	8 AWG-2 AWG	1-5/16	2-5/16	1-5/16	275	275
VT2525	6 AWG-1/0	6 AWG-1/0	1-5/8	2-5/8	1-7/16	385	385
VT2825	1/0 -4/0 AWG	6 AWG-1/0	1-5/8	3-1/8	1-1/4	250	385
VT2828	1/0 -4/0 AWG	1/0 -4/0 AWG	1-5/8	3-1/16	1-11/16	250	250
VT3025	1/0 -300 kcmil	6 AWG-1/0	1-7/8	3-3/8	1-3/8	325	385
VT3030	1/0 -300 kcmil	1/0 -300 kcmil	1-7/8	3-5/16	1-15/16	325	325
VT3425	300 kcmil-500 kcmil	6 AWG-1/0	3-11/32	3-11/16	1-1/2	375	385
VT3428	300 kcmil-500 kcmil	1/0 -4/0 AWG	3-11/32	3-1/2	1-11/16	375	250
VT3430	300 kcmil-500 kcmil	1/0 -300 kcmil	3-11/32	3-5/8	1-15/16	375	325
VT3434	300 kcmil-500 kcmil	300 kcmil-500 kcmil	3-11/32	3-3/4	2-1/4	375	375
VT4040	500 kcmil-800 kcmil	500 kcmil-800 kcmil	2-9/16	4-1/2	2-5/8	500	500
VT4425	750 kcmil-1000 kcmil	6 AWG-1/0	2-7/8	4-5/16	1-3/16	500	385
VT4428	750 kcmil-1000 kcmil	1/0 -4/0 AWG	2-7/8	4-1/8	1-11/16	500	250
VT4834	1500 kcmil-2000 kcmil	300 kcmil-500 kcmil	4-1/4	5-1/4	2-1/4	600	375

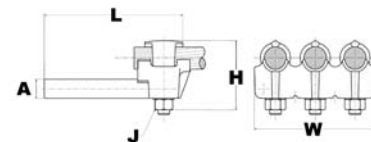
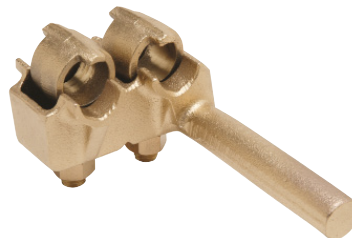
See note LIGHTNING PROTECTION INFO.

TYPE E-C-G

TRANSFORMER TAP ADAPTER

For Copper

Multi-tap, range-taking cast copper alloy connector designed to take 2, 3 or 4 conductors from a single secondary transformer outlet.

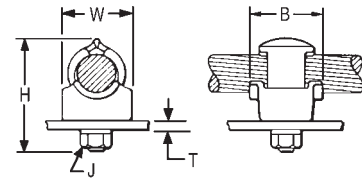


Catalog Number	Number of Conductors	Conductor Size	A dia	H	J	L	W	Recommended Tightening Torque
E2C34G1	2	1/0 Sol. - 500 kcmil	0.78	2-7/8	1/2"-13	6-1/4	3-1/2	480
E3C34G1	3						5-1/4	
E4C34G1	4						6-7/8	

TYPE QGFL

BARTAP™

For Copper Cable to Flat Bar or Pad



High copper alloy BARTAP™ for joining a range of cable to bar or pad. One-wrench installation. DURUM™ nut and lockwasher.

Catalog Number	Copper Conductor	B	H	J	T (Max)	W
QGFL1CB1	#10 Sol-#1 Str	1-1/8	1-7/8	3/8	1/4	1
QGFL1CB1T6	#10 Sol-#1 Str	1-1/8	2-3/8	3/8	3/4	1
QGFL26B1	#8 Sol-#2/0 Str	1-1/4	2-1/8	3/8	1/4	1-1/8
QGFL26B1T6	#8 Sol-#2/0 Str	1-1/4	2-5/8	3/8	3/4	1-1/8
QGFL26B2*	#8 Sol-#2/0 Str	1-1/4	2-5/16	1/2	1/4	1-1/8
QGFL26B2T6*	#8 Sol-#2/0 Str	1-1/2	2-13/16	1/2	3/4	1-1/8
QGFL29B1*	#6 Str-250 kcmil	1-3/8	2-5/8	1/2	1/4	1-3/8
QGFL29B1T6*	#6 Str-250 kcmil	1-5/8	3-1/8	1/2	3/4	1-3/8
QGFL31B1*	2 AWG-350 kcmil	1-3/4	2-7/8	1/2	1/4	1-5/8
QGFL31B1T6*	2 AWG-350 kcmil	1-3/4	3-1/4	1/2	3/4	1-5/8
QGFL34B1	1/0 -500 kcmil	2	3-1/8	1/2	1/4	1-3/4
QGFL34B1T6	1/0 -500 kcmil	2	3-5/8	1/2	3/4	1-3/4
QGFL39B1	350 kcmil-750 kcmil	2-1/4	3-1/4	1/2	1/4	1-3/4
QGFL39B1T6	350 kcmil-750 kcmil	2-1/4	3-5/8	1/2	3/4	1-3/4
QGFL44B1	750 kcmil-1000 kcmil	2-1/4	3-3/8	1/2	1/4	2-1/8
QGFL44B1T6	750 kcmil-1000 kcmil	2-1/4	4-1/8	1/2	3/4	2-1/8
QGFL46B1	1000 kcmil-1500 kcmil	2-1/4	4	1/2	1/4	2-1/2
QGFL46B1T6	1000 kcmil-1500 kcmil	2-1/4	4-1/2	1/2	3/4	2-1/2
QGFL48B1	1500 kcmil-2000 kcmil	2-1/4	4-3/4	1/2	1/4	3

* Can be installed side by side or in-line on NEMA drilled bar.

TYPE FCB

TRANSFORMER TAP ADAPTER

Copper and Aluminum



Cast in one piece from copper alloy. Transformer tap adapter designed to accommodate from 1 to 6 NEMA drilled copper or aluminum terminal taps from a single secondary transformer outlet. Tin-plated. Order mounting hardware and tap terminals separately.

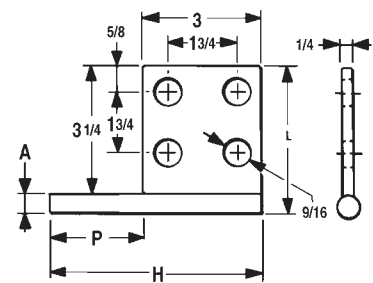


Fig. 1

Catalog Number	Fig. No.	A Diameter	H Ref.	L	P
FCB63-4N	1	0.50	5.25	3.75	2.25
FCB63-6N	2	0.50	5.25	5.50	2.25
FCB64-4N	1	0.75	5.75	4.00	2.75
FCB64-6N	2	0.75	5.75	5.75	2.75
FCB65-4N	1	1.00	7.00	4.25	4.00
FCB63-2NP300	Not Shown	0.50	5.00	3.50	3.00
FCB64-44NP50	Not Shown	0.75	9.00	5.00	5.00

NOTE: All pads are NEMA drilled.

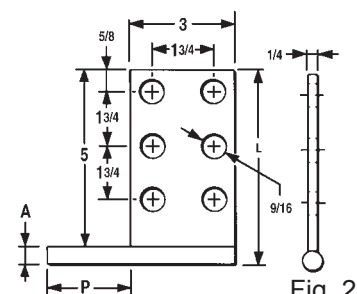


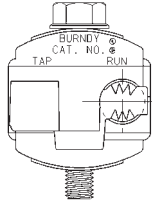
Fig. 2

TYPE BIPC

Insulation Piercing Connector for Copper and Aluminum

UL Listed 90° C, *600 Volt

The Type BIPC, BURNDY® Insulation Piercing Connector is ideally suited for splicing and tapping aluminum and copper conductor wire sizes: #10 AWG to 500 kcmil.



Typical View Showing Breakaway Tab

Features & Benefits

- Insulation piercing capability
 - ◇ Eliminates the need for conductor insulation stripping.
- UL486B Listed, AL9CU rated
 - ◇ For copper and aluminum conductor combinations up to 90° *600 Volt applications.
- Insulation piercing design
 - ◇ For use on hot-line applications - eliminates the need for taping.
- Easy snap-out tabs
 - ◇ Eases installation, protects connection from dirt and debris.
- Simple bolt-on connection
 - ◇ Eases installation.

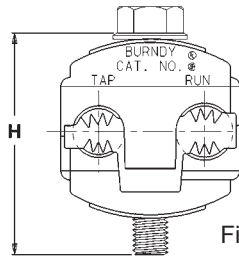
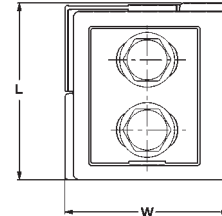
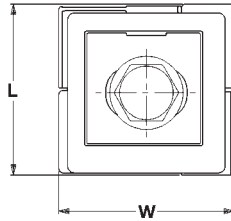


Fig. 1

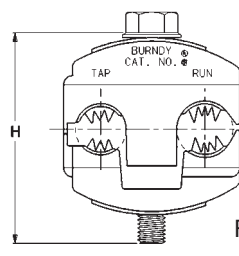


Fig. 2

Catalog Number	Conductor Range		Bolt Size	Socket Size	H	L	W	Recommended Tightening Torque	Max. Voltage Rating
	Run	Tap							
BIPC1/0-2*	1/0 - 8 AWG	2 - 8 AWG	5/16	1/2	2.00	1.53	1.53	180	600 V
BIPC4/0-6	4/0 - 1/0 AWG	1/0 - 6 AWG	5/16	1/2	2.50	2.12	2.00	250	300 V
BIPC4/0-1/0	4/0 - 1/0 AWG	4/0 - 1/0 AWG	5/16	1/2	2.50	2.12	2.06	250	300 V
BIPC350-4/0	350 - 4/0 AWG	4/0 - 10 AWG	3/8	9/16	3.00	1.59	2.50	375	300 V
BIPC350-350	350 - 4/0 AWG	350 - 4/0 AWG	3/8	9/16	3.00	2.62	2.75	300	300 V
BIPC500-4/0*	500 - 350 kcmil	4/0 - 4 AWG	3/8	9/16	3.25	1.80	2.62	400	600 V

* 600 Volt

TYPE KPA

SCRULUG™

For Copper Cable

High copper alloy tin-plated terminal for joining a wide range of cable to equipment pads or terminal blocks. Especially good in light industrial applications. The tongue and body are a one-piece design. The pressure bar equalizes pressure over the conductor and prevents the screw from cutting into the cable.

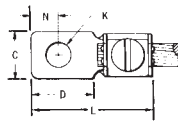


Fig. 1

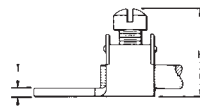


Fig. 2

Catalog Number	Wire Range	Fig. No.	C	D	H	K	Stud Hole Size	L	N	T	Recommended Tightening Torque (in-lb)
KPA8C	14 Sol. - 8 Str.	1	0.38	0.47	0.72	0.21	#10	0.97	0.22	0.06	25
KPA4C	14 Sol. - 4 Str.	1	0.50	0.59	0.94	0.27	1/4	1.22	0.30	0.06	35
KPA25	4 Str. - 1/0 Str.	2	0.75	0.81	1.25	0.33	5/16	1.82	0.41	0.10	180
KPA28	1/0 Str. - 4/0 Str.	2	0.97	1.12	1.66	0.39	3/8	2.40	0.53	0.13	250
KPA34	4/0 Str. - 500 kcmil	2	1.38	1.38	2.44	0.54	1/2	3.32	0.75	0.20	375

NOTE: For unplated version add "UNPL" suffix.

TYPE KPA-UP

SCRULUG™

For Copper Cable

High copper alloy terminal for joining a wide range of cable to equipment pads or terminal blocks. Plain copper finish.

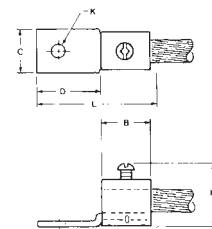


Fig. 1



Features & Benefits

- One piece design.
 - ◊ Superior torque and pull out performance.
- Convenient range taking design.
 - ◊ Reduces catalog numbers. One catalog number accommodates several conductor sizes.
- High conductivity copper alloy.
 - ◊ Long lasting, reliable contact.
- Compact design.
 - ◊ Easy to use.
- Slot Robertson screw, hex head, hex socket bolt.
 - ◊ No special installation tools required. Eliminates over-torquing/potential conductor damage.

Catalog Number	Wire Range	Fig. No.	C	D	H	K	Stud Hole Size	L	N	T	Hardware	Recommended Tightening Torque (in-lb)
KPA8CUP	14 Sol. - 6 Str.	1	0.38	0.56	0.81	0.20	#10	1.04	0.22	0.07	# 12-24 SLOT	35
KPA4CUP	14 Sol. - 4 Str.		0.50	0.71	1.00	0.28	1/4	1.28	0.33		5/16 DIA.SLOT ROBERTSON	45

NOTE: For tin plating drop "-UP" suffix and add "-TP" suffix (example: KPA4CTP).

For use in grounding applications with a green screw, contact factory. Listed for grounding per UL467.

TYPE KLU

SCRULUG™

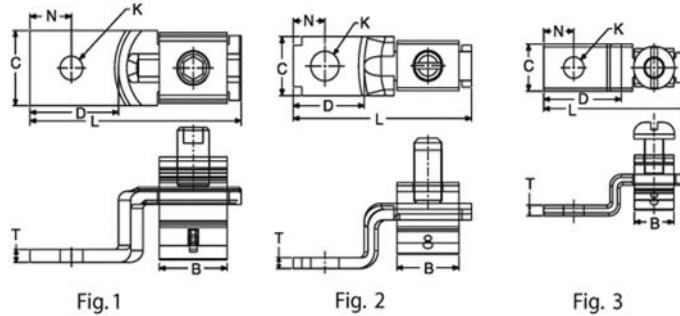
FOR COPPER CABLE -
OFFSET TONGUE - NON-PLATED

High copper alloy terminal with offset tongue for joining a wide range of cable to equipment pads or bar. Easy to install with screwdriver or wrench. Connector is reusable. Plain copper finish.



Features & Benefits

- Convenient range-taking design.
 - ◇ Reduces catalog numbers.
 - One conductor accommodates several conductor sizes.
- High conductivity copper alloy
 - ◇ Long lasting reliable contact.
- Compact design
 - ◇ Easy to use. Reduces labor time.
- Slot Robertson screw, hex head/hex socket bolt
 - ◇ No special installation tools required.
 - eliminates over-torquing/potential conductor damage.



① Catalog Number	Conductor	Fig. No.	B (MM/IN)	C (MM/IN)	K (MM/IN)	L (MM/IN)	N (MM/IN)	T (MM/IN)	Rec. Tightening Torque (in-lb)	Hardware	Stud Hole Size	Strip Length (in)
KLU25	14 Sol. .064 Dia. to	3	7.00	8.00	4.00	26.0	5.00	2.00	20	No. 8-32 Slotted Round Machine Screw	#6	7/16
KLU25TP	10 Sol. .102 Dia. CU											
KLU35	14 Sol. .0641 Dia. to	2	11.0	10.0	5.00	31.0	6.00	2.00	35	1/4 UNF Slotted Set Screw	#10	5/8
KLU35TP	6 Str. .184 Dia. CU											
KLU70	8 Sol. .129 Dia. to	2	13.0	12.0	7.00	39.0	6.00	2.00	40	5/16 UNF Slotted Set Screw	1/4	3/4
KLU70TP	2 Str. .292 Dia. CU											
KLU125	2 Str. .292 Dia. to	2	15.0	16.0	7.00	50.0	11.0	3.00	50	3/8 UNF Slotted Set Screw	1/4	15/16
KLU125TP	1/0 Str. .372 Dia. CU											
KLU175	4 Str. .232 Dia. to	1	18.0	19.0	10.0	56.0	11.0	4.00	250	3/8 UNF Socket/Hex Screw	3/8	1
KLU175TP	3/0 Str. .470 Dia. CU											
KLU225	2 Str. .292 Dia. to	1	24.0	25.0	9.00	65.0	13.0	3.00	250	7/16 UNF Socket/Hex Screw	5/16	1-5/16
KLU225TP	4/0 Str. .528 Dia. CU											
KLU300	1/0 Str. .372 Dia. to	1	31.0	25.0	10.0	72.0	13.0	3.00	325	5/8 UNF Socket/Hex Screw	3/8	1-5/8
KLU300TP	350 kcmil. .681 Dia. CU											
KLU400	1/0 Str. .372 Dia. to	1	36.0	38.0	10.0	104.0	23.0	5.00	375	5/8 UNF Socket/Hex Screw	3/8	1-5/32
KLU400TP	500 kcmil. .813 Dia. CU											

NOTES:
 ① Suffix "-TP" on catalog number denotes tin plate (example: KLU400TP).
 2 Material: Copper alloy.

TYPE KA

KA-LUG™

For Copper Cable



Compact, economical, high copper alloy terminal for joining a wide range of cable to equipment pads or terminal blocks.

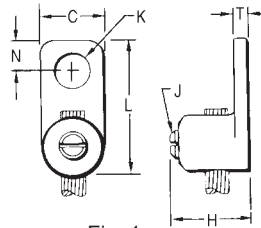


Fig. 1

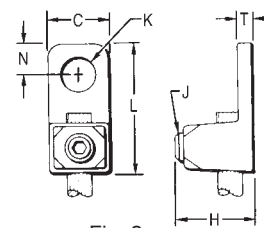


Fig. 2

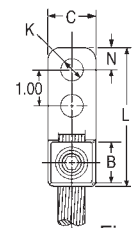


Fig. 3

Catalog Number	Conductor	Fig. No.	C	H	J	K	Stud Hole Size	L	N	T	Recommended Tightening Torque (in-lb)
KA8C	# 14 Sol. (0.064 Dia.) - 8 Str. (0.416 Dia.)	1	3/8	5/8	#12	7/32	#10	13/16	3/16	3/32	25
KA4C	# 14 Sol. (0.064 Dia.) - 4 Str. (0.232 Dia.)	1	9/16	3/4	5/16"	9/32	1/4	1-1/8	1/4	7/64	45
KA25*	# 4 Str. (0.232 Dia.) - 1/0 Str. (0.373 Dia.)	2	3/4	15/16	1/2"	27/64	3/8	1-11/16	3/8	1/8	200
KA25-2TC38*	# 4 Str. (0.232 Dia.) - 1/0 Str. (0.373 Dia.)	3	3/4	15/16	1/2"	27/64	3/8	2-13/16	3/8	1/8	200
KA28*	# 1 Str. (0.332 Dia.) - 4/0 Str. (0.528 Dia.)	2	15/16	1-1/4	5/8"	27/64	3/8	1-15/16	7/16	3/16	275
KA34*	4/0 Str. (0.528 Dia.) - 500 kcmil (0.814 Dia.)	2	1-3/8	2-3/32	13/16"	9/16	1/2	2-9/16	9/16	9/32	375

▲ Listed torque values are for maximum conductor sizes accommodated.

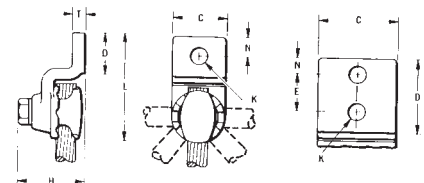
Consult UL486 Tables 7-4, 7-5, 7-6 for smaller conductor sizes.
* Not CSA Certified

TYPE EA

VERSILUG™



For Copper Cable



Compact, high copper alloy terminal for joining a wide range of cable to equipment pads or bar. Clamping element adjustable to several angles. One-wrench installation.

Catalog Number	Wire Range	No. of holes in pad	C	D	E	H	K	Stud Hole Size	L	N	T	Rec. Tightening Torque (in-lb)
EA2C	8 AWG-2 AWG	1	13/16	1-1/16	—	1-3/8	7/16	3/8	2-1/2	13/32	1/4	150
EA25	2 AWG-1/0	1	7/8	1-1/8	—	1-7/16	7/16	3/8	2-11/16	7/16	1/4	180
EA28	1/0 -4/0 AWG	1	1-1/16	1-3/8	—	1-3/4	7/16	3/8	3-3/16	17/32	5/16	250
EA28-2N	1/0 -4/0 AWG	2	1-1/16	3-5/8	1-3/4	1-3/4	9/16	1/2	5-1/8	5/8	5/16	250
EA34	250 kcmil-500 kcmil	1	1-3/8	1-5/8	—	2-1/4	9/16	1/2	4	13/16	3/8	375
EA34-2N	250 kcmil-500 kcmil	2	1-3/8	3-5/8	1-3/4	2-1/4	9/16	1/2	5-5/8	5/8	3/8	375

* "N" indicates NEMA standard stud holes.

Consult UL486 Tables 7-4, 7-5, 7-6 for smaller conductor sizes.

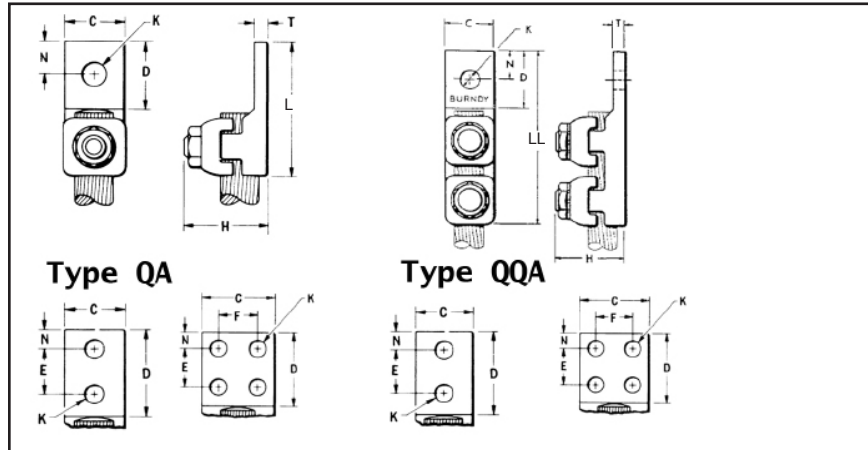
▲ Listed torque values are for maximum conductor sizes accommodated.

TYPES QA, QQA

QIKLUG™

Copper Cable

Type QA heavy duty, compact, high copper alloy terminal for joining a wide range of cable to equipment pads or bar. Fast one-wrench installation. Type QQA heavy duty, high copper alloy terminal for joining cable to equipment pads or bar. Twin clamping elements secure joint vibration and flexing. One-wrench installation.



Catalog Number*		Conductor		Holes in Pad	C	D	E & F	H	K	Stud Hole Size	L	LL	N	T	Torque (in-lb)
Type QA	Type QQA	Commercial	Navy												
QA8C-B	QQA8C	14 Sol. - 8 Str.	4-14	1	9/16	9/16	—	11/16	7/32	#10	1-3/8	2-5/16	9/32	5/32	75
QA8C-2B	QQA8C-2	14 Sol. - 8 Str.	4-14	2	9/16	1-1/14	5/8	11/16	7/32	#10	2	3	5/16	5/32	75
QA4C-B	QQA4C	8 Str. - 4 Str.	23-40	1	5/8	5/8	—	3/4	9/32	1/4	1-7/16	2-3/8	5/16	3/16	110
QA4C-2B	QQA4C-2	8 Str. - 4 Str.	23-40	2	5/8	1-3/16	5/8	3/4	9/32	1/4	2	2-15/16	5/16	3/16	110
QA1C-B	QQA1C	4 Str. - 1 Str.	50-75	1	5/8	3/4	—	1	9/32	1/4	1-3/4	2-13/16	11/32	7/32	150
QA1C-2B	QQA1C-2	4 Str. - 1 Str.	50-75	2	5/8	1-9/16	7/8	1	11/32	5/16	2-9/16	3-5/8	11/32	7/32	150
QA26-B	QQA26	1/0 Str. - 2/0 Str.	100-125	1	13/16	1	—	1-3/16	13/32	3/8	2	3-3/16	7/16	7/32	180
QA26-2B	QQA26-2	1/0 Str. - 2/0 Str.	100-125	2	13/16	1-15/16	1	1-3/16	13/32	3/8	3	4-3/16	7/16	7/32	180
QA28-B	QQA28	3/0 Str. - 4/0 Str.	150-200	1	1	1-1/16	—	1-5/16	13/32	3/8	2-1/4	3-9/16	17/32	1/4	250
QA28-2B	—	3/0 Str. - 4/0 Str.	—	2	1	2	1	1-9/29	13/32	3/8	3-1/5	—	7/16	1/4	250
QA28-2N*	QQA28-2N*	3/0 Str. - 4/0 Str.	150-200	2	1	3-1/8	1-3/4	1-5/16	9/16	1/2	4-5/16	5-5/8	5/8	1/4	250
QA31-B	QQA31	250 - 350 kcmil	250-350	1	1-3/16	1-3/8	—	1-11/16	17/32	1/2	2-11/36	4-1/8	11/16	5/16	325
QA31-2B	—	250 - 350 kcmil	250-350	2	1-3/16	1-31/32	1	1-11/16	7/16	3/8	3-3/8	—	7/16	5/16	325
QA31-2N	QQA31-2N*	250 - 350 kcmil	250-350	2	1-3/16	3	1-3/4	1-11/16	9/16	1/2	4-7/16	5-7/8	5/8	5/16	325
QA34-B	—	400 - 500 kcmil	400-500	1	1-3/8	1-5/8	—	2	17/32	1/2	3-3/16	4-7/8	13/16	5/16	375
QA34-2B	—	400 - 500 kcmil	400-500	2	1-3/8	2	1	2	13/32	3/8	3-9/16	—	7/16	5/16	375
QA34-4B	QQA34	400 - 500 kcmil	400-500	4	1-7/8	1-15/16	1	2	7/16	3/8	3-1/2	—	7/16	5/16	375
QA34-2N*	QQA34-2N*	400 - 500 kcmil	400-500	2	1-3/8	3-3/32	1-3/4	2	9/16	1/2	4-11/16	6-9/32	5/8	5/16	375
QA40-B	—	600 - 800 kcmil	650-800	1	1-5/8	1-7/8	—	2-7/16	11/16	5/8	3-11/16	—	27/32	3/8	500
QA40-2N*	QQA40-2N*	600 - 800 kcmil	650-800	2	1-5/8	3	1-3/4	2-7/16	9/16	1/2	4-14/16	7-3/32	5/8	3/8	500
QQA40-4N*	—	600 - 800 kcmil	650-800	4	3	3	1-3/4	2-7/16	9/16	1/2	—	7-3/32	5/8	3/8	500
QA44-B	—	850 - 1000 kcmil	1000	1	1-7/8	2	—	2-3/4	11/16	5/8	3-15/16	—	1	1/2	500
QA44-2N*	QQA44-2N*	850 - 1000 kcmil	1000	2	1-7/8	3	1-3/4	2-3/4	9/16	1/2	5	7-1/8	5/8	1/2	500
QA44-4N*	QQA44-4N*	850 - 1000 kcmil	1000	4	3	3-1/16	1-3/4	2-3/4	9/16	1/2	5	7-1/8	5/8	1/2	500
QA46-2N*	—	1100 - 1500 kcmil	1300	2	2-1/8	3	1-3/4	3-1/8	9/16	1/2	5-1/4	—	5/8	9/16	600
QA46-B	—	1100 - 1500 kcmil	1300	1	2-1/8	2-1/8	—	3-1/8	13/16	3/4	4-3/8	—	1-1/16	9/16	600

* "N" indicates NEMA standard stud holes.

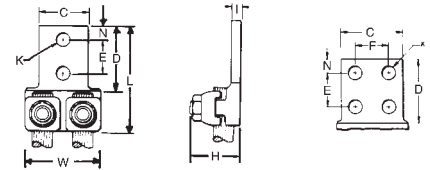
~ All 4N items see note LIGHTNING PROTECTION INFO.

TYPE Q2A

QIKLUG™

For Copper Cable

Compact, high copper alloy terminal for joining two cables to equipment pads or bars. Each element accommodates a wide range of cable. One-wrench installation.



Catalog Number*	Conductor	No. of Holes in Pad	C	D	E & F	H	K	Stud Hole Size	L	N	T	W	Recommended Tightening Torque in-lb
Q2A1C-2	4 Str. - 1 Str.	2	1-1/2	1-7/8	1	1-1/16	7/16	3/8	2-7/8	7/16	7/32	1-13/16	150
Q2A26-2N	1/0 Str. - 2/0 Str.		1-5/8	3-1/8	3/4	1-3/16	9/16	1/2	4-3/16	5/8	1/4	1-15/16	180
Q2A28-2N	3/0 Str. - 4/0 Str.	1-7/8	1-3/8		4-3/8	2-1/8			250				
Q2A28-4N		4	3	1-11/16	4-1/2	3	325						
Q2A31-2N	250 - 350 kcmil	2	2-3/8	1-3/4	2	9/16	1/2	4-11/16	5/8	3/8	3	375	
Q2A31-4N	400 - 500 kcmil	4	3		2-7/16	5	3-3/4	500					
Q2A34-2N	400 - 500 kcmil	2	2-1/2	3-1/4	2-3/4	9/16	1/2	5-1/4	5/8	1/2	4-11/32	500	
Q2A34-4N		4	3		3-1/4		5-1/4	11/16		5	600		
Q2A40-2N	600 - 800 kcmil	2	3	3-1/4	3-1/8	9/16	1/2	5-1/2	5/8	11/16	5	600	
Q2A40-4N		4	3		3-1/8		5-1/2	11/16		5	600		
Q2A44-4N	850 - 1000 kcmil	4	3-1/4	3-1/4	3-1/8	9/16	1/2	5-1/2	5/8	11/16	5	600	
Q2A46-4N	1100 - 1500 kcmil	4	3-1/2	3-1/4	3-1/8	9/16	1/2	5-1/2	5/8	11/16	5	600	

* "N" indicates NEMA standard stud holes.

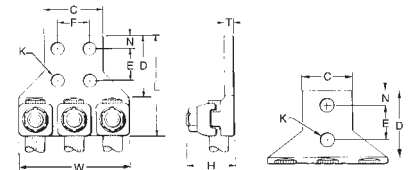
~ All 4N items see note LIGHTNING PROTECTION INFO.

TYPE Q3A

QIKLUG™

For Copper Cable

Compact, high copper alloy terminal for joining three cables to equipment pads or bar. Each element accommodates a wide range of cable. One-wrench installation.



Catalog Number*	Conductor	No. of Holes in Pad	C	D	E & F	H	K	Stud Hole Size	L	N	T	W	Recommended Tightening Torque in lb
Q3A28-2N	3/0 Str. - 4/0 Str.	2	1-7/8	3-1/8	1-3/4	1-3/8	9/16	1/2	4-5/16	5/8	1/4	3-3/16	250
Q3A28-4N	3/0 - 4/0 Str.	4	3						4-3/8				
Q3A31-2N	250 - 350 kcmil	2	2-3/8	3-1/8	1-3/4	1-11/16	9/16	1/2	4-7/16	5/8	5/16	4-1/16	325
Q3A31-4N		4	3						4-3/4				
Q3A34-2N	400 - 500 kcmil	2	2-1/2	3-1/4	1-3/4	1-15/16	9/16	1/2	4-3/4	5/8	3/8	4-9/16	375
Q3A34-4N		4	3						5				
Q3A40-4N	600 - 800 kcmil	4	3	3-1/4	1-3/4	2-7/16	9/16	1/2	5	5/8	7/16	5-13/16	500
Q3A44-4N	850 - 1000 kcmil		3-1/4			2-3/4			5-1/4		1/2	6-5/8	
Q3A46-4N	1100 - 1500 kcmil	4	3-1/2	3-1/4	3-1/8	9/16	1/2	5-1/2	5/8	11/16	7-7/8	600	

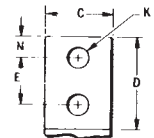
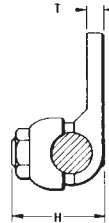
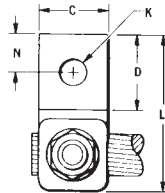
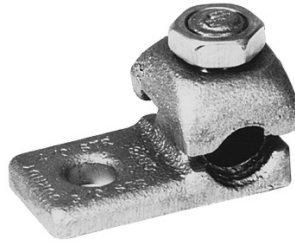
* "N" indicates NEMA standard stud holes.

TYPE QB

QIKLUG™

For Copper Cable

Compact, high copper alloy side entrance terminal for joining a range of cable at right angles to terminal blocks. One-wrench installation.



Catalog Number*	Conductor	No. of Holes in Pad	C	D	E	H	K	Stud Hole Size	L	N	T	Recommended Tightening Torque in-lb
QB8C	14 Sol. - 8 Str.	1	9/16	9/16	—	7/8	7/32	#10	1-1/8	9/32	5/32	75
QB4C	8 Str. - 4 Str.	1	11/16	27/32	—	13/16	9/32	1/4	1-3/8	11/32	1/4	110
QB1C	4 Str. - 1 Str.	1	11/16	13/16	—	1	9/32	1/4	1-1/2	11/32	7/32	150
QB26	1/0 Str. - 2/0 Str.	1	13/16	1	—	1-1/32	13/32	3/8	1-13/16	7/16	7/32	180
QB28	3/0 Str. - 4/0 Str.	1	1	1-1/16	—	1-5/16	13/32	3/8	2-1/16	17/32	1/4	250
QB31-2N	250 - 350 kcmil	2	13/16	3-1/4	1-3/4	1-11/16	9/16	1/2	4-1/2	5/8	5/16	325

* "N" indicates NEMA standard stud holes.

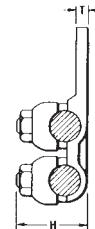
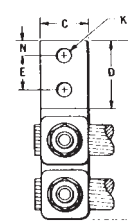
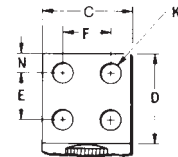
TYPE Q2B

QIKLUG™



For Copper Cable

Compact, high copper alloy terminal for joining two cables at right angles to a single terminal block. Each element accommodates a range of cable. One-wrench installation.



Catalog Number*	Conductor	No. of Holes in Pad	C	D	E & F	H	K	Stud Hole Size	L	N	T	Recommended Tightening Torque in-lb
Q2B28-2N	3/0 Str. - 4/0 Str.	2	1-7/8	3-1/8	1-3/4	1-3/8	9/16	1/2	5-3/16	5/8	1/4	250
Q2B31-2N	250 - 350 kcmil	2	2-3/8	3-3/16	1-11/16	1-3/8	9/16	9/16	5-7/8	5/8	5/16	325
Q2B40-4N	600 - 800 kcmil	4	3	3-1/16	1-3/8	2-5/16	9/16	3/4	6-11/16	5/8	7/16	500

* "N" indicates NEMA standard stud holes.

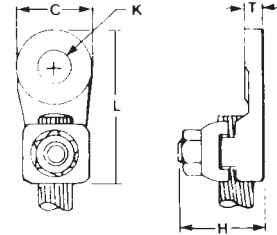
✓ All 4N items see note LIGHTNING PROTECTION INFO.

TYPE QDA

QIKLUG™

For Copper Cable

Compact, high copper alloy terminal for joining a wide range of cable to equipment studs. Provides low contact resistance when gripped between two contact nuts. One wrench installation.



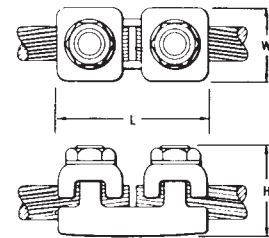
Catalog Number	Conductor		C	H	K	Stud Hole Size	L	T	Recommended Tightening Torque in-lb
	Commercial	Navy							
QDA8C	14 Sol. - 8 Str.	3 - 14	1	11/16	7/16	3/8	1-7/8	3/16	75
QDA4C	8 Str. - 4 Str.	23 - 40	1	3/4	7/16	3/8	1-7/8	7/32	110
QDA1C	4 Str. - 1 Str.	50 - 75	1	1	7/16	3/8	2-3/16	9/32	150
QDA26	1/0 Str. - 2/0 Str.	100 - 125	1-1/4	1-3/16	9/16	1/2	2-1/2	5/16	180
QDA28	3/0 Str. - 4/0 Str.	150 - 200	1-1/4	1-5/16	9/16	1/2	2-5/8	5/16	250
QDA31	250 - 350 kcmil	250 - 350	1-1/2	1-11/16	11/16	5/8	3	5/16	325
QDA34	400 - 500 kcmil	400 - 500	1-7/8	2	13/16	3/4	3-5/8	5/16	375
QDA40	600 - 800 kcmil	650 - 800	2-1/8	2-5/16	1-1/16	1	4-3/16	3/8	500

TYPE QR

QIKLINK™ SPLICE OR REDUCER

For Copper Cable to Cable

High copper alloy splicer/reducer for joining a range of cable end to end. Neat, compact easy to tape installation. One-wrench installation.



Catalog Number	Conductor Either Side	H	L	W	Recommended Tightening Torque in-lb
QR4C	6 Sol. - 4 Str.	3/4	1-11/16	5/8	110
QR1C	4 Str. - 1 Str.	1-1/16	1-15/16	11/16	150
QR26	1/0 Str. - 2/0 Str.	1-3/16	2-1/8	13/16	180
QR28	3/0 Str. - 4/0 Str.	1-3/8	2-3/8	1	250
QR31	250 - 350 kcmil	1-11/16	2-5/8	1-1/4	325
QR34	400 - 500 kcmil	1-15/16	3-1/16	1-7/16	375
QR40	600 - 800 kcmil	2-7/16	3-5/8	1-7/8	500

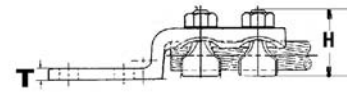
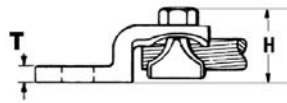
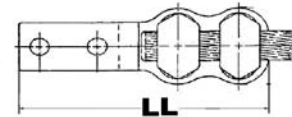
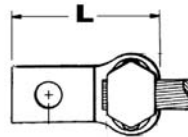
See note LIGHTNING PROTECTION INFO.

TYPES VA, VVA

VARILUG™

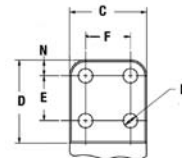
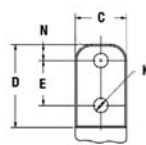
For Copper Cable

High copper alloy terminal for joining a wide range of cable to equipment pads or bar. Particularly suitable for use on extra flexible cable. One-wrench installation. Type VVA, twin elements secure joint against vibration and flexing. Particularly recommended for use on extra flexible cables. One-wrench installation.



Type VA

Type VVA



Catalog Number*		Conductor	No. of Holes in Pad	C	D	E&F	H	K	Stud Hole Size	L	LL	N	T	Rec. Tightening Torque
Type VA	Type VVA													
VA2C	VVA2C	8 AWG-2 AWG	1	13/16	1-1/4	—	1-1/2	7/16	3/8	2-3/4	4-1/16	13/32	1/4	275
VA25	VVA25	6 AWG-1/0	1	7/8	1-5/16	—	1-7/8	7/16	3/8	2-7/8	4-5/16	7/16	1/4	385
VA28	VVA28	1/0 -4/0 AWG	1	1-1/16	1-1/2	—	2-1/4	7/16	3/8	2-7/8	4-1/8	17/32	5/16	250
VA28-2N	VVA28-2N	1/0 -4/0 AWG	2	1-1/16	3-1/2	1-3/4	2-1/4	9/16	1/2	4-15/16	6-1/5	5/8	5/16	250
VA30	VVA30	1/0 -300 kcmil	1	1-1/8	1-5/8	—	2-3/16	7/16	3/8	3-1/4	4-5/8	5/8	5/16	325
VA30-2N	VVA30-2N	1/0 -300 kcmil	2	1-1/8	3-9/16	1-3/4	2-3/16	9/16	1/2	5-3/16	6-9/16	5/8	5/16	325
VA34	VVA34	300 kcmil-500 kcmil	1	1-3/8	2	—	3-11/32	9/16	1/2	3-13/16	5-5/16	13/16	3/8	375
VA34-2N	VVA34-2N	300 kcmil-500 kcmil	2	1-3/8	3-5/8	1-3/4	3-11/32	9/16	1/2	5-3/8	6-7/8	5/8	3/8	375
VA34-4N	VVA34-4N	300 kcmil-500 kcmil	4	3	3-5/8	1-3/4	3-11/32	9/16	1/2	5-3/8	6-7/8	5/8	3/8	375
VA40	VVA40	500 kcmil-800 kcmil	1	1-5/8	2-5/16	—	2-7/8	11/16	5/8	4-1/2	6-3/8	15/16	3/8	500
VA40-2N	VVA40-2N	500 kcmil-800 kcmil	2	1-5/8	3-5/8	1-3/4	2-7/8	9/16	1/2	5-13/16	7-11/16	5/8	3/8	500
VA40-4N	VVA40-4N	500 kcmil-800 kcmil	4	3	2-5/8	1-3/4	2-7/8	9/16	1/2	5-13/16	7-11/16	5/8	3/8	500

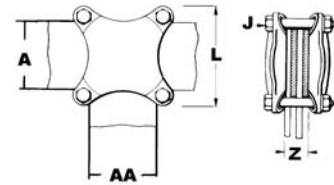
* "N" indicates NEMA standard stud holes.

⚡ All 4N items see note LIGHTNING PROTECTION INFO.

TYPE HFB-P1

BAR CLAMP ASSEMBLY COMPONENTS

For Copper Bar



To build your own high strength clamp assembly for multiple flat bar using type HFB-P1 bar clamps and clamping hardware, the following tables have been provided. The clamp assembly eliminates the need for drilling the flat bar and is used in indoor and outdoor applications.

One Clamp Half							
Bar Clamp Bar			"J" Bolt Dia.	L	W	Z	Recommended Tightening Torque in-lb
Catalog Number	Run 'A'	Tap 'AA'					
HFB22P1	2	2	3/8	4.38	4.38	*	240
HFB33P1	3	3	3/8	4.38	4.38	*	240
HFB42P1	4	2	3/8	5.75	5.75	*	240
HFB44P1	4	4	1/2	5.75	5.75	*	480
HFB63P1	6	3	1/2	7.75	4.75	*	480
HFB66P1	6	6	5/8	8.12	8.12	*	660
HFB88P1	8	8	3/4	10.50	10.50	*	1990

*Z=Space between the bar clamp contact surfaces

Bar Clamp Assembly Components †									
Copper Bus Bar Width (in)		Bar Clamp		Silicon Bronze Clamping Hardware					
				Bolts		Nuts		Split Lock Washers	
Run-A	Tap-AA	Qty	Cat. No.	Qty	Cat. No.	Qty	Cat. No.	Qty	Cat. No.
2	2	2	HFB22P1	4	38 X (*) HEB	4	38CHEN	4	38SW
3	3	2	HFB33P1	4	38 X (*) HEB	4	38CHEN	4	38SW
4	2	2	HFB42P1	4	38 X (*) HEB	4	38CHEN	4	38SW
4	4	2	HFB44P1	4	50 X (*) HEB	4	50CHEN	4	50SW
6	3	2	HFB63P1	4	50 X (*) HEB	4	50CHEN	4	50SW
6	6	2	HFB66P1	4	62 X (*) HEB	4	62CHEN	4	62SW
8	8	2	HFB88P1	4	75 X (*) HEB	4	75CHEN	4	75SW

† Ordered separately from BURNDY®.

* See table below when ordering assembly clamping bolts to specify correct bolt length in Cat. #.

Clamp Number	"J" Bolt Dia.	Bolt Length							
		When Z = 1.25	When Z = 1.50	When Z = 1.75	When Z = 2.00	When Z = 2.25	When Z = 2.50	When Z = 2.75	When Z = 3.00
HFB22P1	3/8	3.00	3.25	3.50	4.00	4.00	4.50	4.50	5.00
HFB33P1	3/8	3.00	3.25	3.50	4.00	4.00	4.50	4.50	5.00
HFB42P1	3/8	3.00	3.25	3.50	4.00	4.00	4.50	4.50	5.00
HFB44P1	1/2	3.25	3.50	3.75	4.00	4.50	4.50	5.00	5.00
HFB63P1	1/2	3.25	3.50	3.75	4.00	4.50	4.50	5.00	5.00
HFB66P1	5/8	3.50	4.00	4.00	4.50	4.50	5.00	5.00	5.50
HFB88P1	3/4	3.75	4.00	4.50	4.50	5.00	5.00	5.50	5.50

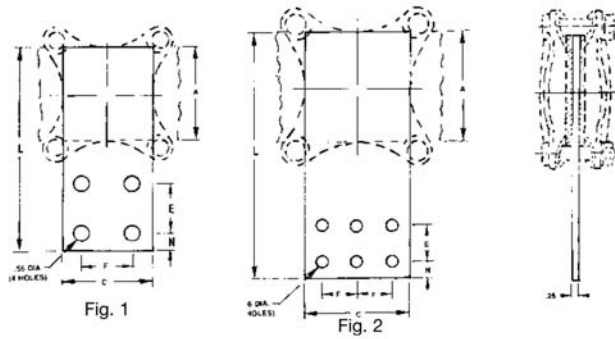
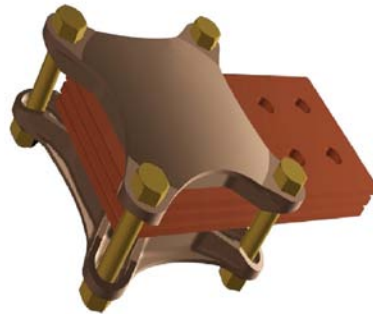
NOTE: When ordering assembly bolts specify correct bolt length in catalog number as indicated in table.

TYPE HFB-N

BAR CLAMP TAP PAD ADAPTER

For Copper Bar

High conductivity copper, tap pad adapter provides a NEMA drilled contact pad when assembled to the HFB-P1 clamps. Tap connections can be made from copper bus bar(s) without drilling, by bolting standard mechanical or compression terminal pads directly to the pre-drilled tap pad adapter.



Catalog Number	Fig. #	A & C	E & F	L	N	Use with 'H' Clamp Catalog Number ①
HFB33-4N	1	3.00	1.75	7.00	0.62	HFB33P1
HFB44-4N	1	4.00	1.75	9.12	1.12	HFB44P1
HFB66-6N	2	6.00	1.75	11.31	1.12	HFB66P1

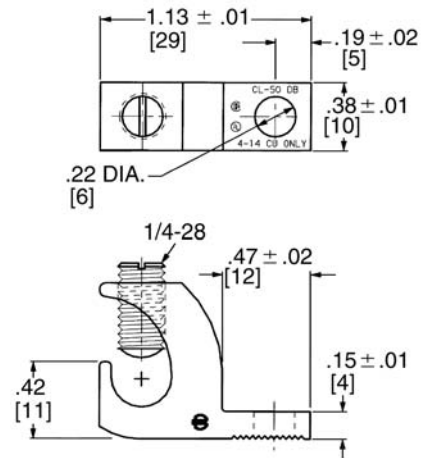
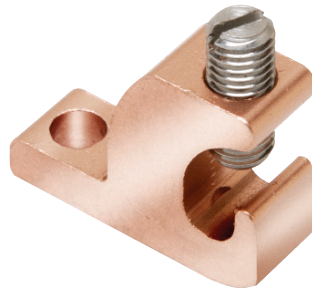
① 'H' Clamp (two required per assembly) and hardware (as shown) not included with bar clamp tap pad, order separately.

TYPE CL50-1 & CL50-1TN

COPPER LAY-IN QIKLUG™

For Copper

The Lay-In QIKLUG™ is manufactured from high strength pure electrolytic copper to ensure maximum strength and conductivity. UL467 Listed for direct burial in earth or concrete. The open-faced design allows for fast lay-in of the conductor without the need for cutting or breaking. Stainless steel screws used for excellent corrosion resistance.



Catalog Number	Conductor Range	Stud Hole
CL50-1	14 AWG-4 AWG	#10
CL50-1TN	14 AWG-4 AWG	#10



Photo above shows a typical solar panel installation using CL50-1 connectors.

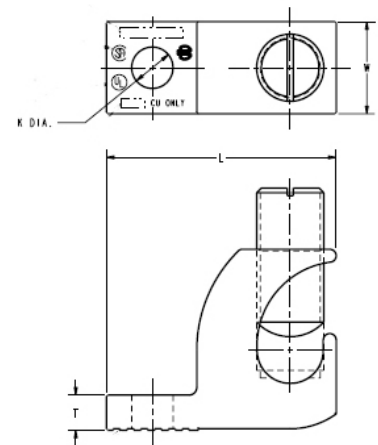
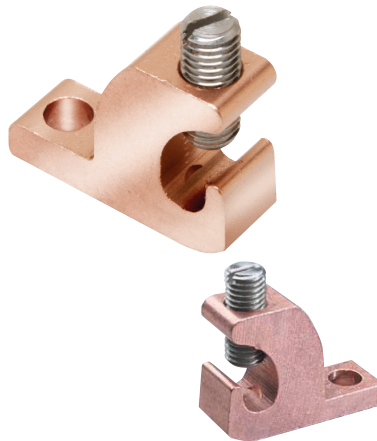


TYPE CL

COPPER LAY-IN QIKLUG™

For Copper

Manufactured for maximum strength and conductivity, these lay-in lugs allow for continuous runs of conductor and are well suited as terminations as well. Tin-plated, set screw style connectors, three sizes cover a range from #14AWG to 250 kcmil. CL3/0-516TN and CL250-516TN are UL Listed and CSA certified. CL1/0-14TN UL Listed for grounding and CSA certified. 90° C rated. Suitable for copper conductors only.



Catalog Number	Wire Range Copper	H	W	L	T	K Dia	Hex Size
CL1/0-14TN	#14 - 1/0 AWG	1.17	0.60	1.50	0.22	0.27	7/16-20 (Slotted)
CL3/0-516TN	#6 - 3/0 AWG	1.56	0.80	2.00	0.30	0.33	9/16-18 (0.25 Hex)
CL250-516TN	#6 AWG - 250 kcmil	1.79	0.80	2.20	0.30	0.33	9/16-18 (0.25 Hex)

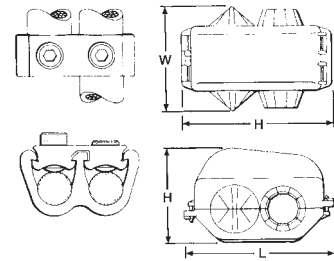
TYPE KPU-AC

POLYTAP™

Insulated Gutter Tap for All Copper and Aluminum Combinations

Wide range-taking tin-plated aluminum parallel clamp and insulating cover assembly for industrial and multiple story structure applications. Only six connectors cover the entire 14 Sol.-750 kcmil range. Covers having flexible fingers that conform to conductor, fully insulating the connection. UL486B Listed for 600 volts maximum 90° C service. Cover and connector are packaged together. No taping required.

600 Volt Max. 90° C



Catalog Number	Conductor Copper or Aluminum		W	H	L	Rec. Tightening ▲ Torque in-lb
	Run	Tap				
KPU29A26AC	1/0 -250 kcmil	14 AWG-2/0 AWG	3-1/8	3-3/8	4.24	375
KPU29A29AC	1/0 -250 kcmil	6 AWG-250 kcmil	3-1/8	3-3/8	4.24	375
KPU34A26AC	4/0 AWG-500 kcmil	14 AWG-2/0 AWG	3-1/2	3-1/2	4.58	450
KPU34A34AC	4/0 AWG-500 kcmil	6 AWG-500 kcmil	3-1/2	3-1/2	4.58	450
KPU39A26AC	500 kcmil-750 kcmil	14 AWG-2/0 AWG	3-1/2	3-83/100	5.06	600
KPU39A39AC	500 kcmil-750 kcmil	1/0 -750 kcmil	3-1/2	3-83/100	5.06	600

▲ Listed torque values are for maximum conductor combinations accommodated. Consult UL486 Tables 7-4, 7-5, 7-6 for smaller combinations.

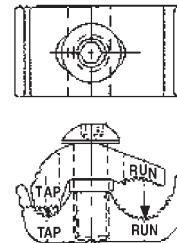
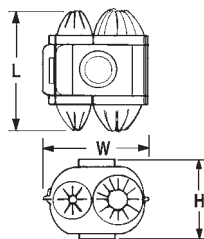
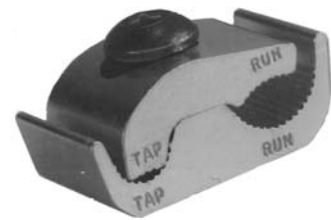
✓ See note LIGHTNING PROTECTION INFO.

TYPE UCU-AC

RISER TAP

600 VOLT MAX. 90° C MAX.

Parallel-groove riser tap and insulation cover for copper and aluminum. Wide range-taking assembly for apartment house and light industrial applications. Cover and connector are packaged together. Covers having insulating fingers that conform to conductors, fully insulating the connection. UL486B Listed for 600 volts max. 90° C service.



Catalog Number	Conductor Copper or Aluminum		W	H	L	Recommended Tightening ▲ Torque in-lb
	Run	Tap				
UCU28AC	#2 Str.- 4/0 Str.	#10 Sol. -#2 Str.	2-1/4	1-13/16	2-5/8	120

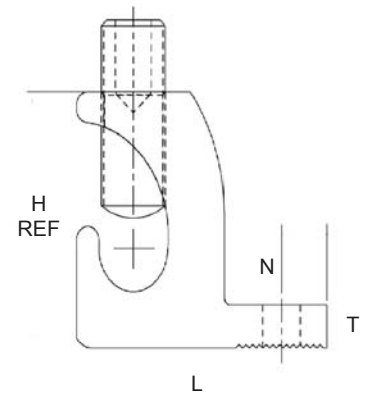
▲ Listed torque values are for maximum conductor combinations accommodated. Consult UL486 Tables 7-4, 7-5, 7-6 for smaller combinations.

TYPE BGBL

LAY-IN QIKLUG™

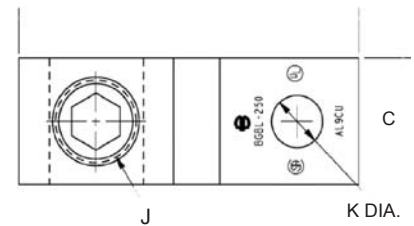
UL LISTED 90° C, 600 V

The Lay-In QIKLUG™, Type BGBL is manufactured from high strength 6061-T6 aluminum, and is ideally suited for grounding and bonding applications accommodating both copper and aluminum conductor sizes #14 AWG to 250 kcmil. The BGBL4SS with Stainless Steel screw is UL 467 Listed for grounding and bonding.



Features & Benefits

- UL 486B listed, AL9CU rated
 - ◇ For copper and aluminum conductor combinations up to 90° C, 600 Volt applications.
- UL Recognized for grounding and bonding
 - ◇ Ensures reliability.
- Electro-tin plated
 - ◇ Provides low contact resistance.
- Lay-in feature
 - ◇ Eases installation.



Catalog Number	Conductor Range	C	H	J	K	L	N	T	Hex Size
BGBL-4	14 - 4	0.38 [10]	0.78 [20]	1/4 - 28	0.22 [6]	1.07 [27]	0.19 [5]	0.15 [4]	Slot
BGBL4SS*	14 - 4	0.38 [10]	0.78 [20]	1/4 - 28	0.22 [6]	1.07 [27]	0.19 [5]	0.15 [4]	Slot
BGBL-1/0	14 - 1/0	0.60 [15]	1.17 [30]	3/8 - 24	0.27 [7]	1.50 [38]	0.30 [8]	0.22 [6]	Slot
BGBL-250	6 - 250 kcmil	0.80 [20]	1.79 [45]	9/16 - 18	0.33 [8]	2.20 [56]	0.40 [10]	0.30 [8]	5/16

* Suitable for copper conductors only.

TYPES KA-U, KKA-U

UNIVERSAL TERMINAL

For Aluminum and Copper Conductors

These dual-rated one-conductor lugs are constructed from high strength aluminum alloy and electro tin-plated to provide low contact resistance.

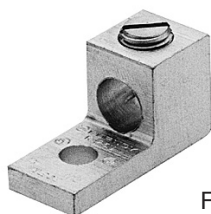


Fig. 1



Fig. 2



Fig. 3



Fig. 4

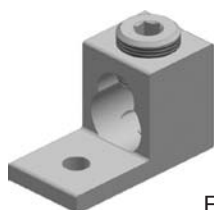
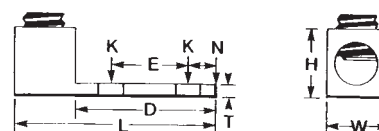


Fig. 5



Catalog Number*	Fig. No.	Wire Range Aluminum or Copper	Stud Hole Size	D	L	N	** W	E	T	** H	Recommended Tightening ▲ Torque (in-lb)
KA6U	1	14 AWG-6 AWG	1/4	0.63	1.06	0.25	0.50	—	0.09	0.51	45
KA2U	1	14-2	1/4	0.63	1.16	0.31	0.50	—	0.10	0.56	50
KA25U	1	14 AWG-1/0	1/4	0.81	1.50	0.44	0.63	—	0.19	0.92	50
KA26U	2	6-2/0	1/4	0.81	1.47	0.45	0.63	—	0.19	0.80	120
KA29U	2	6-250	5/16	0.94	2.00	0.47	1.00	—	0.25	1.14	275
KA30U	2	6 AWG-300 kcmil	5/16	0.94	2.00	0.45	1.00	—	0.25	1.14	275
KA31U	2	6 AWG-350 kcmil	3/8	1.03	2.25	0.52	1.13	—	0.25	1.27	275
KA34U	2	4 AWG-500 kcmil	3/8	1.50	2.81	0.88	1.51	—	0.31	1.58	500
KA36U	2	2 AWG-600 kcmil	3/8	1.72	3.19	0.78	1.50	—	0.44	1.58	500
KA40U	2	300 kcmil-800 kcmil	1/2	1.85	3.50	0.81	1.75	—	0.50	1.95	550
KA44U	2	500 kcmil-1000 kcmil	1/2	1.69	3.50	0.88	1.75	—	0.50	1.95	550
KKA31U-2N	3	6 AWG-350 kcmil	1/2	3.16	5.50	0.63	1.25	1.75	0.38	1.52	275
KA36U-2N	4	2 AWG-600 kcmil	1/2	3.22	4.69	0.63	1.50	1.75	0.44	1.57	500
KA40U-2N	4	300 kcmil-800 kcmil	1/2	3.03	4.75	0.63	1.75	1.75	0.50	1.95	500
KA44U-2N	4	500 kcmil-1000 kcmil	1/2	3.03	4.75	0.63	1.75	1.75	0.50	1.95	550
KA30226U	5†	6 Str. - 300 kcmil or (2) 4 Str. - 2/0 Str.	5/16	1.31	2.31	2.00	0.86	0.69	0.25	1.50	275
KA36229U	5	4 Str. - 600 kcmil or (2) 250 kcmil - 1/0 Str.	3/8	1.50	2.81	1.00	1.38	—	0.31	1.81	375
KA39230U	5	#2 Str. - 700 kcmil or (2) 1/0 Str. - 300 kcmil	3/8	1.50	2.81	1.00	1.38	—	0.31	1.81	375

* "N" indicates NEMA standard stud holes.

▲ Listed torque values are for maximum conductor sizes accommodated.

† Figure 5 keyhole style with 2 hole pad.

Consult UL486 Tables 7-4, 7-5, 7-6 for smaller conductor sizes.

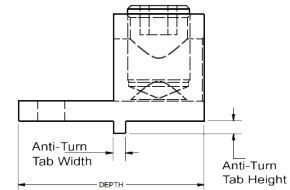
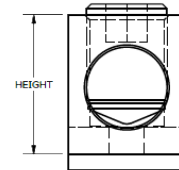
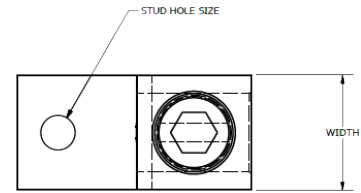
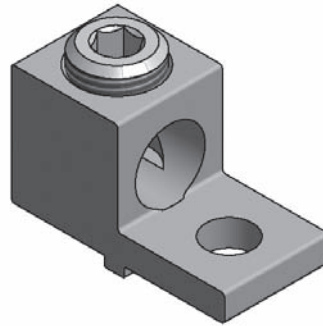
** Maximum dimension.

TYPES KA-UAR

**UNIVERSAL ANTI-ROTATIONAL
 TERMINALS**

(One Conductor)
 For Aluminum and Copper
 Conductors

These dual-rated one-conductor lugs are constructed from high strength aluminum alloy and electro tin-plated to provide low contact resistance. These lugs also contain a bottom anti-turn tab.



AL9CU



Catalog Number	Wire Range Aluminum or Copper	Stud Hole Size	Depth	Width	Height	Tab Height	Tab Thickness	Recommended Tightening ▲ Torque (in-lb)
KA4UAR	14 - 3	1/4	1.16	0.50	0.56	.06	.12	45
KA25UAR	14 - 1/0	1/4	1.47	0.63	0.78	.06	.13	50
KA26UAR	14 - 2/0	1/4	1.47	0.63	0.78	.13	.13	120
KA30UAR	6 - 300	1/4	1.56	0.94	1.13	.09	.19	275
KA31UAR	6 - 350	5/16	1.19	1.00	1.13	.13	.19	275
KA36UAR	4 - 600	3/8	2.75	1.38	1.57	.19	.19	375

Listed torque values are for maximum conductor sizes accommodated. Consult UL486 Tables 7-4, 7-5, 7-6 for smaller conductor sizes.

TYPE K2A-U

UNIVERSAL TERMINAL

(Two Conductor)
For Aluminum and Copper
Conductors

These dual-rated two-conductor lugs are constructed from high strength aluminum alloy and electro tin-plated to provide low contact resistance.



Fig. 1

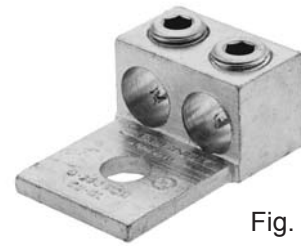
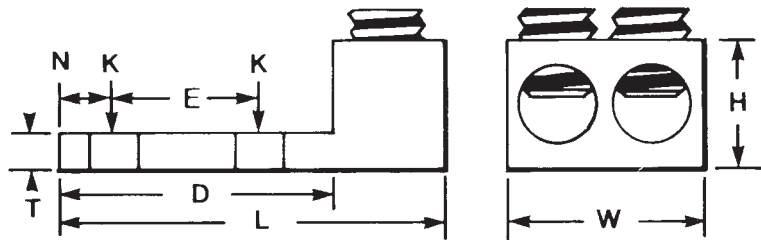


Fig. 2



Fig. 3



Catalog Number*	Fig. No.	TWO: Wire Range (Aluminum or Copper)	Stud Hole Size	D	L	N	** W	E	T	** H	Recommended Tightening ▲ Torque (in-lb)
K2A25U	1	14 AWG-1/0	1/4	0.81	1.47	0.44	1.13	—	0.19	0.79	50
K2A26U	2	14 AWG-2/0 AWG	1/4	0.81	1.47	0.44	1.25	—	0.19	0.80	120
K2A29U	2	6 AWG-250 kcmil	3/8	1.50	2.56	0.50	1.66	—	0.25	1.20	275
K2A31U	2	6 AWG-350 kcmil	1/2	1.69	2.88	0.88	1.94	—	0.25	1.26	275
K2A36U	2	2 AWG-600 kcmil	1/2	1.75	3.20	0.63	2.41	—	0.44	1.58	375
K2A40U	2	300 kcmil-800 kcmil	5/8	1.66	3.38	0.88	3.19	—	0.50	1.95	500
K2A44U	2	500 kcmil-1000 kcmil	5/8	1.66	3.50	0.88	3.52	—	0.50	1.95	500
K2A31U-2N	3	6 AWG-350 kcmil	1/2	3.00	4.50	0.63	2.31	1.75	0.31	1.39	275
K2A36U-2N	3	2 AWG-600 kcmil	1/2	3.22	4.69	0.63	2.41	1.75	0.44	1.39	375
K2A40U-2N	3	300 kcmil-800 kcmil	1/2	3.03	4.75	0.63	3.19	1.75	0.50	1.95	375
K2A44U-2N	3	500 kcmil-1000 kcmil	1/2	3.03	4.75	0.63	3.19	1.75	0.50	1.95	375

* "N" indicates NEMA standard stud holes.

▲ Listed torque values are for maximum conductor sizes accommodated. Consult UL486 Tables 7-4, 7-5, 7-6 for smaller conductor sizes.

** Maximum dimension.

TYPES K3A-U, KK3A-U

UNIVERSAL TERMINAL

(Three Conductor)
For Aluminum and Copper Conductors

Dual-rated three-conductor lugs are constructed from high strength aluminum alloy and electro tinned to provide low contact resistance.



AL9CU



Fig. 1



Fig. 2



Fig. 3



Fig. 4

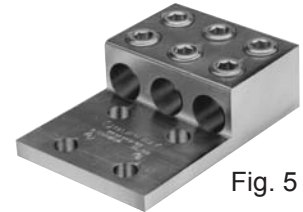
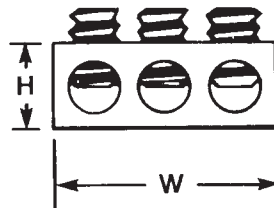
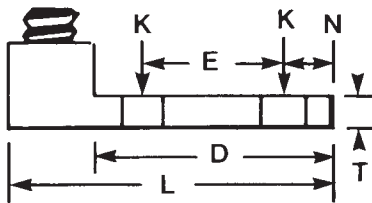


Fig. 5

Catalog Number**	Fig. No.	THREE: Wire Range (Aluminum or Copper)	K	Stud Hole Size	Dimensions							Rec. Tightening ▲ Torque (in-lb)
					D	L	N	W	E	T	H	
K3A2U-2*	1	14 AWG-2 AWG	11/32	5/16	1.63	2.19	0.34	1.59	0.88	0.19	0.62	50
K3A25U-2*	1	14 AWG-1/0	7/16	3/8	2.09	2.91	0.34	1.94	1.00	0.25	0.88	50
K3A26U-2N	3	14 AWG-2/0 AWG	9/16	1/2	3.06	3.75	0.63	1.95	1.75	0.19	1.79	50
K3A27U-2N	3	6 AWG-3/0 AWG	9/16	1/2	3.00	3.88	0.63	2.81	1.75	0.31	1.12	275
K3A29U-2N	3	6 AWG-250 kcmil	9/16	1/2	3.16	4.00	0.63	2.81	1.75	0.31	1.19	275
K3A31U-2N	3	6 AWG-350 kcmil	9/16	1/2	3.16	4.31	0.63	3.52	1.75	0.31	1.38	275
K3A36U-2N	3	2 AWG-600 kcmil	9/16	1/2	3.22	4.69	0.63	3.63	1.75	0.44	1.56	375
KK3A36U-2N	2	2 AWG-600 kcmil	9/16	1/2	3.00	5.50	0.63	4.22	1.75	0.38	1.52	375
KK3A40U-2N	2	300 kcmil-800 kcmil	9/16	1/2	3.34	6.19	0.63	4.81	1.75	0.56	1.89	375
KK3A44U-2N	2	500 kcmil-1000 kcmil	9/16	1/2	3.34	6.19	0.63	4.75	1.75	0.56	1.90	500
K3A2U-4*	4	14 AWG-2 AWG	11/32	5/16	1.63	2.19	0.34	1.59	0.88	0.19	0.62	50
K3A25U-4*	4	14 AWG-1/0	7/16	3/8	2.09	2.91	0.34	1.94	1.00	0.25	0.88	50
K3A27U-4N	4	6 AWG-3/0 AWG	9/16	1/2	3.00	3.88	0.63	2.81	1.75	0.31	1.12	275
K3A29U-4N	4	6 AWG-250 kcmil	9/16	1/2	3.00	4.00	0.63	2.81	1.75	0.31	1.19	275
K3A31U-4N	4	6 AWG-350 kcmil	9/16	1/2	3.00	4.31	0.63	3.00	1.75	0.31	1.38	275
K3A36U-4N	4	2 AWG-600 kcmil	9/16	1/2	3.22	4.69	0.63	3.63	1.75	0.44	1.56	375
K3A40U-4N	4	300 kcmil-800 kcmil	9/16	1/2	3.03	4.75	0.63	4.81	1.75	0.50	1.94	375
KK3A36U-4N	5	2 AWG-600 kcmil	9/16	1/2	3.00	5.50	0.63	4.22	1.75	0.38	1.52	375
KK3A40U-4N	5	300 kcmil-800 kcmil	9/16	1/2	3.34	6.19	0.63	5.34	1.75	0.56	1.89	500
KK3A44U-4N	5	500 kcmil-1000 kcmil	9/16	1/2	3.34	6.19	0.63	4.75	1.75	0.56	1.90	500

* Slotted screw.

** "N" indicates NEMA standard stud holes.

▲ Listed torque values are for maximum conductor sizes accommodated. Consult UL486 Tables 7-4, 7-5, 7-6 for smaller conductor sizes.

✓ All 4N items see note LIGHTNING PROTECTION INFO.

TYPES K4A-U, KK4A-U

UNIVERSAL TERMINAL

(Four Conductor)
For Aluminum and Copper Conductors

These dual-rated four conductor lugs are constructed from high strength aluminum alloy and electro tin-plated to provide low contact resistance.



AL9CU



Fig. 1

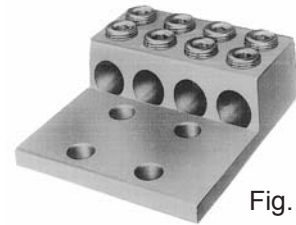
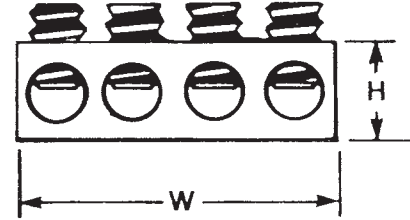
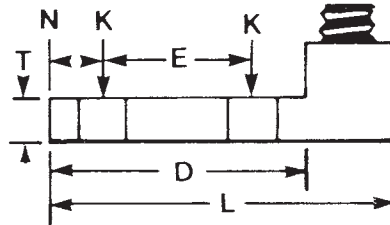


Fig. 2



Catalog Number*	Fig. No.	FOUR: Wire Range (Aluminum or Copper)	Stud Hole Size	Dimensions							Recommended Tightening Torque (in-lb)
				D	L	N	W	E	T	H	
K4A29U-4N	1	6 AWG-250 kcmil	1/2	3.16	4.25	0.63	3.69	1.75	0.31	1.19	275
K4A31U-4N	1	6 AWG-350 kcmil	1/2	3.00	4.50	0.63	5.04	1.75	0.31	1.38	275
KK4A36U-4N	2	2 AWG-600 kcmil	1/2	3.34	5.63	0.63	5.00	1.75	0.44	1.51	375
KK4A40U-4N	2	300 kcmil-800 kcmil	1/2	3.41	6.19	0.63	6.00	1.75	0.56	1.88	375

* "N" indicates NEMA standard stud holes.

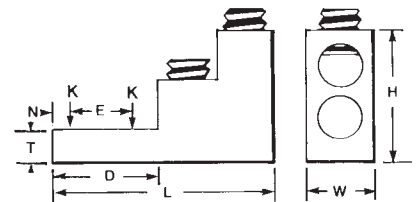
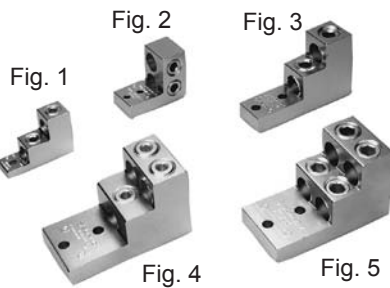
⚡ All 4N items see note LIGHTNING PROTECTION INFO.

TYPES K11A-U, K21A-U, K22A-U

UNIVERSAL TERMINAL

For Aluminum and Copper Conductors

Dual-rated panelboard lugs are constructed from high strength extruded aluminum alloy and electro tin-plated to provide low contact resistance.



AL9CU



Catalog Number	Fig. No.	# of Conductors	Wire Range (Aluminum or Copper)	Stud Hole Size	D	L	N	W	E	T	H	Recommended Tightening ▲ Torque (in-lb)
K11A30U	1	2	6 AWG-300 kcmil	5/16	0.94	3.00	0.47	1.00	—	0.50	2.03	275
K11A34U-2	2	2	4/0 AWG-500 kcmil	1/4	2.31	2.91	0.25	1.44	0.69	0.63	2.40	375
K11A36U-2	3	2	2 AWG-600 kcmil	3/8	2.31	4.91	0.38	1.50	1.38	0.75	3.02	375
K21A36U-2	4	3	2 AWG-600 kcmil	3/8	2.31	4.91	0.38	2.50	1.38	0.75	3.03	375
K22A36U-2	5	4	2 AWG-600 kcmil	3/8	2.31	4.91	0.38	2.50	1.38	0.75	3.03	375
K11A39U-2	3	2	1/0 -750 kcmil	3/8	2.31	4.91	0.38	1.69	1.38	0.75	3.02	375
K22A39U-2	5	4	1/0 -750 kcmil	3/8	2.31	4.91	0.38	3.06	1.38	0.75	3.02	375

▲ Listed torque values are for maximum conductor sizes accommodated. Consult UL486 Tables 7-4, 7-5, 7-6 for smaller conductor sizes.

**TYPES K6A-U, K8A-U,
KK6A-U, KK8A-U**

UNIVERSAL TERMINALS

(Six and Eight Conductor)
For Aluminum and
Copper Conductors

These dual-rated six and eight conductor lugs are constructed from high strength aluminum alloy and electro tin-plated to provide low contact resistance.



Fig. 1

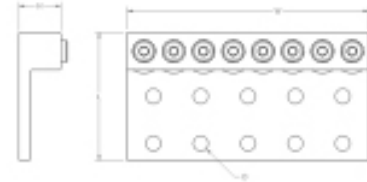
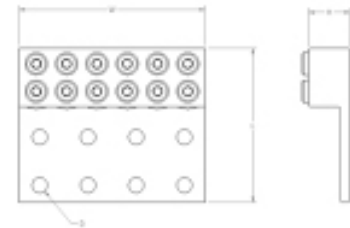


Fig. 2



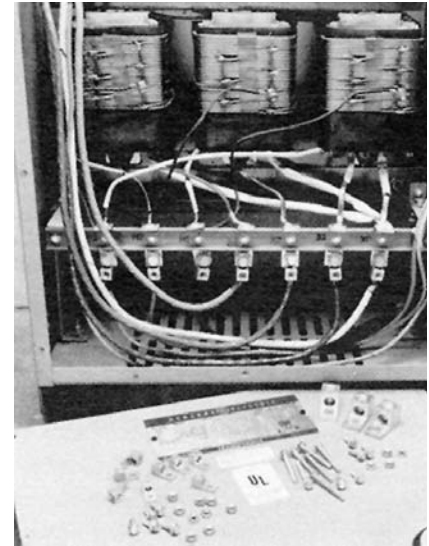
Catalog Number	Fig. No.	No. of Conductors	No. of Mtg Holes	Wire Range Aluminum or Copper	Stud Hole Size	Depth	Width	Height	Rec. Tightening Torque in-lb ♦
K6A34U-8	1	6	8	2 AWG - 500 kcmil	9/16	4.63	6.75	1.56	375
K8A34U-10	1	8	10	2 AWG - 500 kcmil	9/16	4.63	8.75	1.56	375
KK6A31U-8	2	6	8	6 AWG - 350 kcmil	9/16	5.31	6.38	1.50	275
KK8A31U-10	2	8	10	6 AWG - 350 kcmil	9/16	5.31	8.13	1.50	275
KK6A34U-8	2	6	8	2 AWG - 500 kcmil	9/16	5.50	6.75	1.50	375
KK8A34U-10	2	8	10	2 AWG - 500 kcmil	9/16	5.50	8.75	1.50	375
KK8A39U-12	2	8	12	2 AWG - 750 kcmil	9/16	6.19	10.25	1.88	550
KK6A44U-12	2	6	12	350 kcmil - 1000 kcmil	9/16	6.19	10.00	1.88	550
KK8A44U-14	2	8	14	350 kcmil - 1000 kcmil	9/16	6.19	12.12	1.88	550

♦ Listed torque values are for maximum conductor sizes accommodated. Consult UL486 Tables 7-4, 7-5, & 7-6 for smaller conductor sizes

TYPE KAU-KIT

TRANSFORMER LUG KIT

These dual-rated lugs are constructed from high strength aluminum alloy and electro tin-plated to provide low contact resistance. Lugs and mounting hardware packaged together in these kits.



Features & Benefits

- UL Listed AL9CU dual rated set screw terminals and CSA Certified
 - ◊ Ensure the transformer feeders and taps are terminated properly.
- Plated steel cap screws and hex nuts with captive conical washers or individual Belleville washers
 - ◊ Terminal to bus connections are made using proper hardware resulting in true torque to pressure performance - compensates for dissimilar metal expansion and contraction.
- Hardware packed in plastic bag
 - ◊ No lost hardware prior to installation.
- Larger 800 kcmil lugs in KIT3 and KIT4
 - ◊ Accommodates common 750 kcmil tap conductors in larger transformers.

Catalog Number	Transformer KVA Rating	Terminals		Wire Range Aluminum or Copper	Hardware					
		Qty	Catalog Number		Qty	Bolt Size	Qty	Nut	Qty	Washer
KAU-KIT1	15 - 37.5 1Ø	8	KA2U KA29U	14 AWG-250 kcmil	8	1/4-20 X 3/4 HH	8	1/4 X 20 HN	-	Captive to Nut
	15 - 45 3Ø	4								
KAU-KIT2	50 - 75 1Ø	12	KA29U	6 AWG-250 kcmil	8	1/4-20 X 3/4 HH 1/4-20 X 2 HH	16	1/4 X 20 HN	-	Captive to Nut
	75 - 112.5 3Ø				8					
KAU-KIT3	100 - 167 1Ø	6	K2A31U K2A40U	6 AWG-800 kcmil	5	1/2-13 X 3 HH 1/2-13 X 2-1/2 HH	11	1/2-13 HN	22 11	1/2 FW 1/2 Belleville
	150 - 300 3Ø	7			6					
KAU-KIT4	400 - 500 3Ø	15	K2A40U	300 kcmil-800 kcmil	7	1/2-13 X 2 HH 1/2-13 X 2-1/2 HH	11	1/2-13 HN	22 11	1/2 FW 1/2 Belleville
					4					

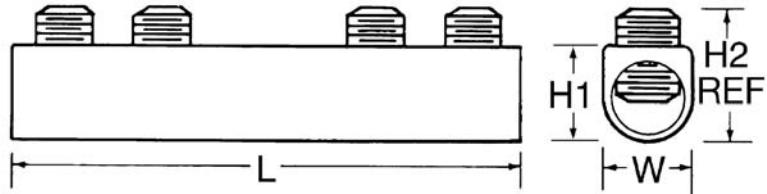
HH = Hex Head
 HN = Hex Nut
 FW = Flat Washer

TYPE AMS

DUAL RATED SPLICER/REDUCER

For Copper and Aluminum Cable

All splicer/reducers are dual rated for use with aluminum and copper conductors and are constructed from high strength, tin plated aluminum. PENETROX™ oxide inhibiting joint compounds are recommended for all aluminum applications.



Features & Benefits

- All connectors are tin-plated
 - ◊ Provide low contact resistance and prevents galvanic corrosion
- Connectors feature rounded bottoms
 - ◊ Facilitates taping
- Solid center barrier
 - ◊ Prevents contact of dissimilar metals
- Large screw diameters
 - ◊ Ensures greater surface contact with wires for maximum pullout force
- Large cable ranges
 - ◊ Each splice is also an effective reducing connector

Catalog Number	Wire Range	L	W	H1	H2 Max	Number of Screws	Screw Diameter	Hex Size
	Aluminum & Copper							
AMS-2*	14 AWG-2 AWG	1-19/32	9/16	9/16	0.79	2	3/8	Slot
AMS-0*	14 AWG-1/0	1-29/32	3/4	3/4	0.86	2	7/16	Slot
AMS-4/0	6 AWG-4/0 AWG	2-5/16	1	1-3/32	1.28	2	9/16	5/16
AMS-250	6 AWG-250 kcmil	4-3/32	1	1-3/32	1.29	4	5/8	5/16
AMS-350	6 AWG-350 kcmil	4-11/32	1	1-3/32	1.3	4	11/16	5/16
AMS-500	3/0 AWG-500 kcmil	4-25/32	1-1/4	1-3/8	1.48	4	13/16	3/8
AMS-750	250 kcmil-750 kcmil	6-1/6	1-7/16	1-5/8	1.98	4	15/16	1/2
AMS-1000	500 kcmil-1000 kcmil	8-11/16	1-21/32	1-7/8	2.34	6	1-1/8	9/16

* Slotted Screws. H2 measured with maximum conductors, reference only. ✓ Complies with NFPA 78-86.

TYPE AGSKIT

ABOVE GRADE SPLICE KITS

For all Aluminum or Copper/Aluminum Combinations

Type AGS Above Grade Splice Kit consists of a standard AMS splice/reducer and a heavy wall heat-shrink sleeve. The AMS Splice is dual rated for use with aluminum and copper conductors and are constructed from high strength, tin plated aluminum that provides low contact resistance and reduces the effects of galvanic corrosion. Connector is installed with common installation tools. The heavy wall heat shrink sleeve is lined with adhesive material, providing a positive seal against moisture egress. Heat shrink sleeve is installed with standard propane torch, or electric heat gun.



Fig. 1



Fig. 2



Catalog Number	Figure Number	Wire Range
AGSKIT2	1	8 AWG-2 AWG
AGSKIT250	2	1 AWG-250 kcmil

TYPE UGSKIT

WATERTIGHT/ UNDERGROUND SPLICE KITS

For all Aluminum or Copper/Aluminum Combinations

Type UGS Watertight Underground Splice Kit consists of a standard AMS splice/reducer and two heavy wall heat-shrink sleeves. The AMS Splice is dual rated for use with aluminum and copper conductors and are constructed from high strength, tin plated aluminum that provides low contact resistance and reduces the effects of galvanic corrosion. Connector installed with common installation tools. Both heavy wall heat shrink sleeves are lined with adhesive material, providing a watertight splice that can withstand abrasions that may occur during direct burial applications. Heat shrink sleeve installed with standard propane torch, or electric heat gun.



Fig. 1



Fig. 2



Catalog Number	Figure Number	Wire Range
UGSKIT2*	1	8 AWG-2 AWG
UGSKIT250*	2	1 AWG-250 kcmil

*UL486D Listed for Direct Burial

TYPE UGSKIT8

UF DIRECT BURIAL SPLICE KIT

Type UGS UF Splice Kit consists of a UF splice connector and a heavy wall heat-shrink sleeve. The UF splice connector can accommodate up to four UF conductors and is installed with common installation tools. The heavy wall heat shrink sleeve is lined with an adhesive material, providing a water-tight splice that can withstand abrasions that may occur during direct burial applications. Heat shrink sleeve installed with standard propane torch, or electric heat gun.



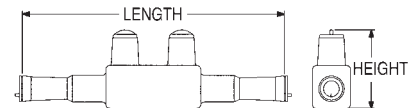
Catalog Number	Wire Range
	Copper
UGSKIT8*	14 AWG-8 AWG

*UL486D Listed for Direct Burial

TYPE UGS350ULDB

IN-LINE SPLICE/REDUCER

For Direct Burial



Features & Benefits

- EPDM rubber covered 6061-T6 aluminum connector
- Dual rated AL9CU for copper or aluminum conductor
- UL Listed and CSA Certified for Direct Burial
- Broad range taking capability
- Low installation cost
- Submersible rated
- For use in wet or damp locations

Catalog Number	Wire Range	Length	Height	Hex Size	Torque (In. Lbs.)
UGS350ULDB	12 AWG-350 kcmil	8.50	2.81	5/16	350

BURNDY UNITAP™

THE MOLE™

For Direct Burial

600V, 90° C

Designed specifically for direct burial applications, the MOLE™ in-line splice/reducer is made with a specialized plastisol material that forms a rugged weathertight connection.



Features & Benefits

- UL486D Listed for direct burial.
- AL9CU Dual-rated for copper and aluminum applications. 600V 90°C.
- Plastisol covered AL6061-T6 aluminum body saves time by eliminating the need for heat shrink.
- Oxide inhibitor pre-installed preventing moisture and contaminants from entering contact area.
- Range-taking capability reduces the number of connectors carried in inventory.

Catalog Number	Number of Ports	Wire Range (AWG/kcmil)	L	W	H	Hex Key	Torque (In.-lbs.)	Wire Strip Length
BISR4-DB	2	#6 AWG-#4 AWG	4.30	0.68	1.39	1/8	50	7/8"
BISR1-DB	2	#2 AWG-#1 AWG	6.30	0.88	1.75	5/32	130	1-3/32"
BISR3/0-DB	2	1/0 -3/0 AWG	6.25	0.99	1.96	3/16	220	1-3/32"
BISR250-DB	2	4/0 AWG-250 kcmil	6.70	1.18	2.17	5/16	360	1-5/16"

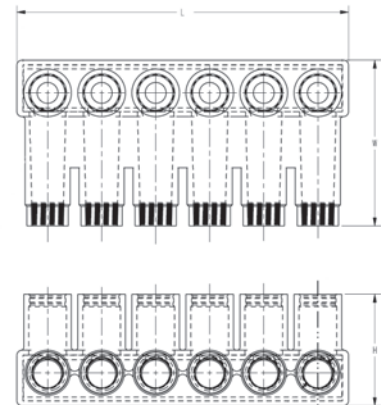
BISR-DB = BURNDY Inline Splice/Reducer Direct Burial.
 UNITAP™ rated for code conductor only.

**Direct Burial UNITAP™
Connectors**

UNITAP™

Dual Rated Multiple Tap Connector

These rubber insulated, dual rated connectors are for use in networks up to 600V. Suitable in light fixture pole bases in commercial, industrial, or residential markets. Distribution within strip malls, for use in any multi-tenant facility. No taping or heat shrink required.



Features & Benefits

- Dual rated for aluminum or copper conductors
- Each unit is individually marked for ease of identification
- Supplied with aluminum set-screws
- Covering is the highest quality EPDM rubber
- Supplied with oxide inhibitor pre-installed
- Submersible rated
- Suitable for direct burial
- Meets ANSI C119.1 and C119.4 requirements
- Rated 600V and 90° C; UL Listed and CSA Certified
- For use in wet or damp locations
- Silicone provided for conductor insertion



Catalog Number	# of Ports	Wire Range (AWG/kcmil)	L	W	H	Wire Strip Length (in)
BIBS3502DB	2	12 AWG-350 kcmil	2.61	4.06	2.46	1.125
BIBS3503DB	3	12 AWG-350 kcmil	3.82	4.06	2.46	1.125
BIBS3504DB	4	12 AWG-350 kcmil	5.03	4.06	2.46	1.125
BIBS3505DB	5	12 AWG-350 kcmil	6.24	4.06	2.46	1.125
BIBS3506DB	6	12 AWG-350 kcmil	7.45	4.06	2.46	1.125
BIBS5003DB	3	10 AWG-500 kcmil	4.31	4.58	3.13	1.50
BIBS5004DB	4	10 AWG-500 kcmil	5.69	4.58	3.13	1.50
BIBS5005DB	5	10 AWG-500 kcmil	7.06	4.58	3.13	1.50
BIBS5006DB	6	10 AWG-500 kcmil	8.44	4.58	3.13	1.50

Recommended Torque Values for Direct Burial UNITAP™		Recommended BURNDY® Torque Wrench
Conductor Size	Recommended Torque Range	
#12 - #6 AWG	125 - 150 in-lbs	BTW30150
#4 - 3/0 AWG	180 - 240 in-lbs	BTW150750
4/0 - 350 AWG	275 - 450 in-lbs	BTW150750
400 - 1000 AWG	475 - 550 in-lbs	BTW150750



UNITAP™ Clear Insulated Multi-Tap

UL Listed 486A-486B

UNITAP™ Clear Insulated Multi-Tap is UL Listed to the UL Wire Connector Standard UL486A-486B and CSA Certified for use with flexible (fine stranded) conductor - with no ferrules required! Featuring color coordinated conductor port and screw port caps making it easy to identify the maximum conductor size accommodated by the connector.

A disc-pad screw has also been incorporated to prevent damage to the fine strands as the conductor is compressed during installation. The connectors are shipped with the 'pad' attached to the screw by a thin stem; during installation the pad is sheared from the stem as it makes contact with the conductor and remains stationary as the screw continues to rotate until the recommended installation torque is achieved.

The color coordinated conductor port caps display the wire range and classes of conductor accepted by the specific connector. The screw port caps show the installation torque information for quick and easy reference during installation.



Features & Benefits

- 600 Volt Rated
- Fully Insulated Aluminum 6061-T6 connector body saves time and lowers installation costs by eliminating the need for taping
- Listed to UL486A-B (File E9498)
- CSA Certified to C22.2, No. 65 (File 042860_c_00)
- Rated for use with flex conductor (No Ferrules Required!)
- AL9CU dual rated for use with copper and aluminum conductors
- Range taking designs will accommodate wire sizes from #14-750 kcmil Class B & C, and #14-535 DLO Flex
- Configurations include Taps, In-Line Splice Reducers, Single-Sided Entry, and Double-Sided Entry with the number of ports from 2 to 14
- Clear Plastisol Insulation allows visual confirmation that conductor is properly inserted into port
- Operating temperature from -40°C to 135°C
- Conductor ports are pre-filled with oxide inhibitor
- Screw Port and Conductor Port caps provided to protect against contamination and accidental contact of energized parts
- Caps are color coordinated to quickly identify maximum conductor size accommodated
- Screw Port caps contain recommended installation torque values for quick and easy reference
- Conductor Port caps contain the accommodated wire range and allowable conductor classes



In-Line Splice Reducer

Figure 1



Tap - Opposite Side Entry

Figure 2



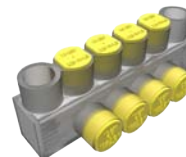
Tap - Same Side Entry

Figure 3



Multiple Port Tap Single Sided Entry

Figure 4



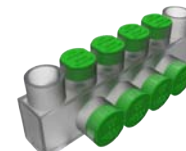
Multiple Port Mounted Tap Single Sided Entry

Figure 6



Multiple Port Tap Double Sided Entry

Figure 5



Multiple Port Mounted Tap Double Sided Entry

Figure 7

UNITAP™

(Continued)

Wire Range (AWG/kcmil)	Amp Rating	# of Ports	Configuration	Size (inches)			Hex Key	Catalog Number	Cap Color	Fig. #
				Length	Width	Height				
#14-#4 Class B & C #14-#6 Class G,H,I,K, DLO	95 A	2	Tap - Opposite Side Entry	1.08	1.50	1.25	1/8	BITO4FX	Brown	2
		2	Tap - Same Side Entry	1.08	1.16	1.25	1/8	BIT4FX	Brown	3
		3	Single Sided Entry	1.51	1.16	1.25	1/8	BIBS43FX	Brown	4
		4		1.95				BIBS44FX		
		5		2.39				BIBS45FX		
		6		2.83				BIBS46FX		
		8	3.71	BIBS48FX						
		2	Double Sided Entry	1.08	1.50	1.25	1/8	BIBD42FX	Brown	5
		3		1.51				BIBD43FX		
		4		1.95				BIBD44FX		
		5		2.39				BIBD45FX		
		6		2.83				BIBD46FX		
		8		3.71				BIBD48FX		
		#14-#2 Class B & C #14-#2 Class G,H,I,K, DLO	130 A	2	In-Line Splice Reducer	2.38	0.75	1.22	5/32	BISR2FX
#14-1/0 Class B & C #14-#1 Class G,H,I,K, DLO	170 A	2	In-Line Splice Reducer	2.91	0.75	1.22	5/32	BISR1/0FX	Pink	1
#14-2/0 Class B & C #14-#1 Class G,H,I,K, DLO	195 A	2	Tap - Opposite Side Entry	1.52	1.56	1.38	3/16	BITO2/0FX	Black	2
		2	Tap - Same Side Entry	1.52	1.40	1.38	3/16	BIT2/0FX	Black	3
		3	Single Sided Entry	2.19	1.31	1.38	3/16	BIBS2/03FX	Black	4
		4		2.86				BIBS2/04FX		
		5		3.53				BIBS2/05FX		
		6		4.20				BIBS2/06FX		
		8		5.55				BIBS2/08FX		
		10		6.89				BIBS2/010FX		
		12		8.24				BIBS2/012FX		
		14		9.58				BIBS2/014FX		
		2	Double Sided Entry	1.52	1.56	1.38	3/16	BIBD2/02FX	Black	5
		3		2.19				BIBD2/03FX		
		4		2.86				BIBD2/04FX		
		5		3.53				BIBD2/05FX		
		6		4.20				BIBD2/06FX		
		8		5.55				BIBD2/08FX		
		10		6.89				BIBD2/010FX		
		12		8.24				BIBD2/012FX		
14	9.58	BIBD2/014FX								

(Continued)

Wire Range (AWG/kcmil)	Amp Rating	# of Ports	Configuration	Size (inches)			Hex Key	Catalog Number	Cap Color	Fig. #				
				Length	Width	Height								
#14-2/0 Class B & C #14-#1 Class G,H,I,K, DLO	195 A	4	Mountable Single Sided Entry	4.20	1.25	1.50	3/16	BIBS2/04FXMT	Black	6				
		6		5.55				BIBS2/06FXMT						
		8		6.89				BIBS2/08FXMT						
		10		8.24				BIBS2/010FXMT						
		12		9.58				BIBS2/012FXMT						
		4	Mountable Double Sided Entry	4.20	1.56	1.50	3/16	BIBD2/04FXMT	Black	7				
		8		6.89				BIBD2/08FXMT						
		10		8.24				BIBD2/010FXMT						
		12		9.58				BIBD2/012FXMT						
#10-250 Class B & C #10-3/0 Class G,H,I,K, DLO	290 A	2	Tap - Opposite Side Entry	2.03	2.64	2.13	5/16	BITO250FX	Yellow	2				
		2	Tap - Same Side Entry	2.03	2.07	2.13	5/16	BIT250FX	Yellow	3				
		2	In-Line Splice Reducer	4.01	1.19	2.10	5/16	BISR250FX	Yellow	1				
		3	Single Sided Entry	2.97	2.07	2.13	5/16	BIBS2503FX	Yellow	4				
		4		3.91				BIBS2504FX						
		5		4.84				BIBS2505FX						
		6		5.78				BIBS2506FX						
		8		7.66				BIBS2508FX						
		10		9.53				BIBS25010FX						
		12		11.41				BIBS25012FX						
		14		13.29				BIBS25014FX						
		#10-250 Class B & C #10-3/0 Class G,H,I,K, DLO		290 A				2			Double Sided Entry	2.03	2.64	2.13
3	2.97		BIBD2503FX											
4	3.91		BIBD2504FX											
5	4.84		BIBD2505FX											
6	5.78		BIBD2506FX											
8	7.66		BIBD2508FX											
10	9.53		BIBD25010FX											
12	11.41		BIBD25012FX											
14	13.29		BIBD25014FX											
4	Mountable Single Sided Entry		5.78		1.95	2.63	5/16	BIBS2504FXMT	Yellow	6				
6			7.65					BIBS2506FXMT						
8			9.53					BIBS2508FXMT						
10			11.41					BIBS25010FXMT						
12			13.29					BIBS25012FXMT						
4	Mountable Double Sided Entry		5.78		2.64	2.63	5/16	BIBD2504FXMT	Yellow	7				
6			7.65					BIBS2506FXMT						
8			9.53					BIBD2508FXMT						
10			11.41					BIBD25010FXMT						
12			13.29					BIBD25012FXMT						

UNITAP™

(Continued)

Wire Range (AWG/kcmil)	Amp Rating	# of Ports	Configuration	Size (inches)			Hex Key	Catalog Number	Cap Color	Fig. #
				Length	Width	Height				
#10-350 Class B & C #10-250 Class G,H,I,K, DLO	350 A	2	Tap - Opposite Side Entry	2.22	3.00	2.50	5/16	BITO350FX	Red	2
		2	Tap - Same Side Entry	2.22	2.32	2.50	5/16	BIT350FX	Red	3
		2	In-Line Splice Reducer	4.63	1.34	2.35	5/16	BISR350FX	Red	1
		3	Single Sided Entry	3.13	2.32	2.50	5/16	BIBS3503FX	Red	4
		4		4.04				BIBS3504FX		
		5		4.95				BIBS3505FX		
		6		5.86				BIBS3506FX		
		8		7.68				BIBS3508FX		
		10		9.50				BIBS35010FX		
		12		11.32				BIBS35012FX		
		14		13.14				BIBS35014FX		
		2	Double Sided Entry	3.13	3.00	2.50	5/16	BIBD3502FX	Red	5
		3		4.04				BIBD3503FX		
		4		4.95				BIBD3504FX		
		5		5.86				BIBD3505FX		
		6		7.68				BIBD3506FX		
		8		9.50				BIBD3508FX		
		10		11.32				BIBD35010FX		
		12		13.14				BIBD35012FX		
		4	Mountable Single Sided Entry	5.86	2.32	2.63	5/16	BIBS3504FXMT	Red	6
		6		7.68				BIBS3506FXMT		
		8		9.50				BIBS3508FXMT		
		10		11.32				BIBS35010FXMT		
		12		13.14				BIBS35012FXMT		
		4	Mountable Double Sided Entry	5.86	3.00	2.63	5/16	BIBD3504FXMT	Red	7
		6		7.68				BIBD3506FXMT		
		8		9.50				BIBD3508FXMT		
		10		11.32				BIBD35010FXMT		
		12		13.14				BIBD35012FXMT		
		#6-500 Class B & C #6-373 Class G,H,I,K, DLO	430 A	2	In-Line Splice Reducer	5.00	1.62	2.62	3/8	BISR500FX
#4-600 Class B & C #4-373 Class G,H,I,K, DLO	475 A	2	Tap - Opposite Side Entry	2.72	3.00	2.75	3/8	BITO600FX	Green	2
		2	Tap - Same Side Entry	2.72	2.38	2.75	3/8	BIT600FX	Green	3
		3	Single Sided Entry	4.00	2.38	2.75	3/8	BIBS6003FX	Green	4
		4		5.28				BIBS6004FX		
		5		6.56				BIBS6005FX		
		6		7.84				BIBS6006FX		

(Continued)

Wire Range (AWG/kcmil)	Amp Rating	# of Ports	Configuration	Size (inches)			Hex Key	Catalog Number	Cap Color	Fig. #
				Length	Width	Height				
#4-600 Class B & C #4-373 Class G,H,I,K, DLO	475 A	8	Single Sided Entry	10.41	2.38	2.75	3/8	BIBS6008FX	Green	4
		10		12.97				BIBS60010FX		
		12		15.53				BIBS60012FX		
		14		18.09				BIBS60014FX		
		2	Double Sided Entry	2.72	3.00	2.75	3/8	BIBD6002FX	Green	5
		3		4.00				BIBD6003FX		
		4		5.28				BIBD6004FX		
		5		6.56				BIBD6005FX		
		6		7.84				BIBD6006FX		
		8		10.41				BIBD6008FX		
		10		12.97				BIBD60010FX		
		12		15.53				BIBD60012FX		
		14	18.09	BIBD60014FX						
		4	Mountable Single Sided Entry	5.53	2.25	2.88	3/8	BIBS6004FXMT	Green	6
		6		7.40				BIBS6006FXMT		
		8		9.28				BIBS6008FXMT		
		12		13.03				BIBS60012FXMT		
		4	Mountable Double Sided Entry	5.53	3.00	2.88	3/8	BIBD6004FXMT	Green	7
		6		7.40				BIBD6006FXMT		
		8		9.28				BIBD6008FXMT		
10	11.16	BIBD60010FXMT								
12	13.03	BIBD60012FXMT								
#2-750 Class B & C #2-535 Class G,H,I,K, DLO	535 A	2	Tap - Opposite Side Entry	2.87	3.38	3.00	3/8	BITO750FX ¹	Black	2
		2	Tap - Same Side Entry	2.87	2.70	3.00	3/8	BIT750FX ¹	Black	3
		3	Single Sided Entry	4.00	2.70	3.00	3/8	BIBS7503FX ¹	Black	4
		4		5.38				BIBS7504FX ¹		
		6		8.13				BIBS7506FX ¹		
		8		10.88				BIBS7508FX ¹		
		10		13.63				BIBS75010FX ¹		
		12		16.38				BIBS75012FX ¹		
		14	19.13	BIBS75014FX ¹						
		2	Double Sided Entry	2.87	3.38	3.00	3/8	BIBD7502FX ¹	Black	5
		3		4.25				BIBD7503FX ¹		
		4		5.63				BIBD7504FX ¹		
		6		8.37				BIBD7506FX ¹		
		8		11.13				BIBD7508FX ¹		
10	13.87	BIBD75010FX ¹								
12	16.63	BIBD75012FX ¹								
14	19.37	BIBD75014FX ¹								

Notes:

¹ NOT UL Listed

TYPES BIT, BITO, BISR

UNITAP™

Clear Insulated Multiple Tap Connectors

Tap connections and in-line splice/reductions are made quickly and easily with the UNITAP™ line of connectors. UL486B Listed. Dual-rated AL9CU for any stranded copper or stranded aluminum applications. 600 Volt, 90° C.



Fig. 1



Fig. 2

Features & Benefits

- Clear Plastisol covered AL6061-T6 aluminum body
 - ◊ Saves time, lowers installation costs, eliminates taping.
- Clear Plastisol
 - ◊ Allows visual confirmation that conductor is properly inserted.
- Oxide inhibitor pre-installed
 - ◊ Inhibits moisture and contaminants from entering the contact area.
- Range-taking
 - ◊ Reduces number of connectors carried in inventory.



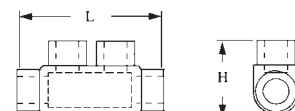
2 Port, 1 or 2 Sided Entry

Catalog Number	# of Ports	Wire Range (AWG/kcmil)	L	W	H	Hex Key	Figure Number
BIT4	2	14 AWG-4 AWG	1.16	1.16	1.25	1/8	1
BITO4	2			1.50			2
BIT2/0	2	14 AWG-2/0 AWG	1.52	1.40	1.38	3/16	1
BITO2/0	2			1.56			2
BIT250	2	10 AWG-250 kcmil	2.03	2.07	2.13	5/16	1
BITO250	2			2.64			2
BIT350	2	10 AWG-350 kcmil	2.22	2.32	2.50	3/16	1
BITO350	2			3.00			2
BIT600	2	4 AWG-600 kcmil	2.72	2.38	2.75	3/16	1
BITO600	2			3.00			2
BIT750 *	2	2 AWG-750 kcmil	2.87	2.70	3.00	3/16	1
BITO750 *	2			3.38			2

* BIT750 and BITO750 are not UL Listed. UNITAP™ rated for code conductor only.

In-Line Splicer/Reducer

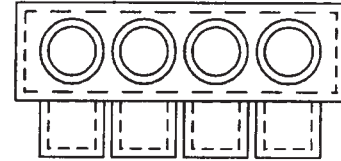
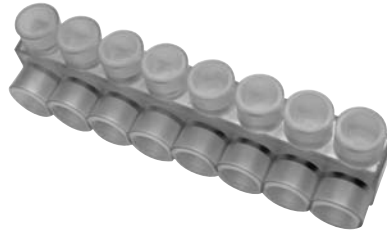
Catalog Number	Wire Range (AWG/kcmil)	L	W	H	Hex Key
BISR2	#14-2	2.38	0.75	1.22	5/32
BISR1/0	#14-1/0	2.91	0.91	1.38	3/16
BISR250	#10-250	4.01	1.19	2.10	5/16
BISR350	#10-350	4.63	1.34	2.35	5/16
BISR500	#6-500	5.00	1.62	2.62	3/8



TYPE BIBS

UNITAP™

Clear Insulated Multiple Tap Connectors



Tap connections are made quickly and easily with the UNITAP™ line of connectors. UL486B Listed. Dual-rated AL9CU for any stranded copper or stranded aluminum applications. 600 Volt, 90° C.

Features & Benefits

- Clear Plastisol covered AL6061-T6 aluminum body
 - ◊ Saves time, lowers installation costs, eliminates taping
- Clear Plastisol
 - ◊ Allows visual confirmation that conductor is properly inserted
- Oxide inhibitor pre-installed
 - ◊ Inhibits moisture and contaminants from entering the contact area
- Range-taking
 - ◊ Reduces number of connectors carried in inventory



MULTI-PORT Single-Sided Entry

Catalog Number	# of Ports	Wire Range (AWG/kcmil)	L	W	H	Hex Key
BIBS4-3	3	14 AWG-4 AWG	1.51	1.25	1.25	1/8
BIBS4-4	4	14 AWG-4 AWG	1.95	1.25	1.25	1/8
BIBS4-5	5	14 AWG-4 AWG	2.39	1.25	1.25	1/8
BIBS4-6	6	14 AWG-4 AWG	2.83	1.25	1.25	1/8
BIBS4-8	8	14 AWG-4 AWG	3.71	1.25	1.25	1/8
BIBS2/0-3	3	14 AWG-2/0 Str	2.19	1.31	1.38	3/16
BIBS2/0-4	4	14 AWG-2/0 Str	2.86	1.31	1.38	3/16
BIBS2/0-5	5	14 AWG-2/0 Str	3.53	1.31	1.38	3/16
BIBS2/0-6	6	14 AWG-2/0 Str	4.20	1.31	1.38	3/16
BIBS2/0-8	8	14 AWG-2/0 Str	5.55	1.31	1.38	3/16
BIBS2/0-10	10	14 AWG-2/0 Str	6.89	1.31	1.38	3/16
BIBS2/0-12	12	14 AWG-2/0 Str	8.24	1.31	1.38	3/16
BIBS2/0-14	14	14 AWG-2/0 Str	9.58	1.31	1.38	3/16
BIBS250-3	3	10 AWG-250 kcmil	2.97	2.07	2.13	5/16
BIBS250-4	4	10 AWG-250 kcmil	3.91	2.07	2.13	5/16
BIBS250-5	5	10 AWG-250 kcmil	4.84	2.07	2.13	5/16
BIBS250-6	6	10 AWG-250 kcmil	5.78	2.07	2.13	5/16
BIBS250-8	8	10 AWG-250 kcmil	7.66	2.07	2.13	5/16
BIBS250-10	10	10 AWG-250 kcmil	9.53	2.07	2.13	5/16
BIBS250-12	12	10 AWG-250 kcmil	11.41	2.07	2.13	5/16
BIBS250-14	14	10 AWG-250 kcmil	13.29	2.07	2.13	5/16
BIBS350-3	3	10 AWG-350 kcmil	3.13	2.32	2.50	5/16
BIBS350-4	4	10 AWG-350 kcmil	4.04	2.32	2.50	5/16
BIBS350-5	5	10 AWG-350 kcmil	4.95	2.32	2.50	5/16
BIBS350-6	6	10 AWG-350 kcmil	5.86	2.32	2.50	5/16
BIBS350-8	8	10 AWG-350 kcmil	7.68	2.32	2.50	5/16
BIBS350-10	10	10 AWG-350 kcmil	9.50	2.32	2.50	5/16

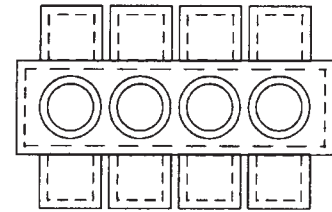
Catalog Number	# of Ports	Wire Range (AWG/kcmil)	L	W	H	Hex Key
BIBS350-12	12	10 AWG-350 kcmil	11.32	2.32	2.50	5/16
BIBS350-14	14	10 AWG-350 kcmil	13.14	2.32	2.50	5/16
BIBS600-3	3	4 AWG-600 kcmil	4.00	2.38	2.75	3/8
BIBS600-4	4	4 AWG-600 kcmil	5.28	2.38	2.75	3/8
BIBS600-5	5	4 AWG-600 kcmil	6.56	2.38	2.75	3/8
BIBS600-6	6	4 AWG-600 kcmil	7.84	2.38	2.75	3/8
BIBS600-8	8	4 AWG-600 kcmil	10.41	2.38	2.75	3/8
BIBS600-10	10	4 AWG-600 kcmil	12.97	2.38	2.75	3/8
BIBS600-12	12	4 AWG-600 kcmil	15.53	2.38	2.75	3/8
BIBS600-14	14	4 AWG-600 kcmil	18.09	2.38	2.75	3/8
BIBS750-3*	3	2 AWG-750 kcmil	4.00	2.70	3.00	3/8
BIBS750-4*	4	2 AWG-750 kcmil	5.38	2.70	3.00	3/8
BIBS750-6*	6	2 AWG-750 kcmil	8.13	2.70	3.00	3/8
BIBS750-8*	8	2 AWG-750 kcmil	10.88	2.70	3.00	3/8
BIBS750-10*	10	2 AWG-750 kcmil	13.63	2.70	3.00	3/8
BIBS750-12*	12	2 AWG-750 kcmil	16.38	2.70	3.00	3/8
BIBS750-14*	14	2 AWG-750 kcmil	19.13	2.70	3.00	3/8

NOTE: Only 1 conductor per port allowed.
 * Not UL Listed.
 UNITAP™ rated for code conductor only.

TYPE BIBD

UNITAP™

Clear Insulated Multiple Tap Connectors



Tap connections are made quickly and easily with the UNITAP™ line of connectors. UL486B Listed. Dual-rated AL9CU for any stranded copper or stranded aluminum applications. 600 Volt, 90° C.

Features & Benefits

- Clear Plastisol covered AL6061-T6 aluminum body
 - ◊ Saves time, lowers installation costs, eliminates taping
- Clear Plastisol
 - ◊ Allows visual confirmation that conductor is properly inserted
- Oxide inhibitor pre-installed
 - ◊ Inhibits moisture and contaminants from entering the contact area
- Range-taking
 - ◊ Reduces number of connectors carried in inventory



MULTI-PORT Double-Sided Entry

Catalog Number	# of Ports	Wire Range (AWG/kcmil)	W	L	H	Hex Key
BIBD4-2	2	14 AWG-4 Str	1.50	1.08	1.25	1/8
BIBD4-3	3	14 AWG-4 Str	1.50	1.51	1.25	1/8
BIBD4-4	4	14 AWG-4 str	1.50	1.95	1.25	1/8
BIBD4-5	5	14 AWG-4 Str	1.50	2.39	1.25	1/8
BIBD4-6	6	14 AWG-4 Str	1.50	2.83	1.25	1/8
BIBD4-8	8	14 AWG-4 str	1.50	3.71	1.25	1/8
BIBD2/0-2	2	14 AWG-2/0 Str	1.56	1.52	1.38	3/16
BIBD2/0-3	3	14 AWG-2/0 Str	1.56	2.19	1.38	3/16
BIBD2/0-4	4	#14-2/0 Str	1.56	2.86	1.38	3/16
BIBD2/0-5	5	#14-2/0 Str	1.56	3.53	1.38	3/16
BIBD2/0-6	6	14 AWG-2/0 Str	1.56	4.20	1.38	3/16
BIBD2/0-8	8	14 AWG-2/0 Str	1.56	5.55	1.38	3/16
BIBD2/0-10	10	14 AWG-2/0 Str	1.56	6.89	1.38	3/16
BIBD2/0-12	12	14 AWG-2/0 Str	1.56	8.24	1.38	3/16
BIBD2/0-14	14	14 AWG-2/0 Str	1.56	9.58	1.38	3/16
BIBD250-2	2	10 AWG-250 kcmil	2.64	2.03	2.13	5/16
BIBD250-3	3	10 AWG-250 kcmil	2.64	2.97	2.13	5/16
BIBD250-4	4	10 AWG-250 kcmil	2.64	3.91	2.13	5/16
BIBD250-5	5	10 AWG-250 kcmil	2.64	4.84	2.13	5/16
BIBD250-6	6	10 AWG-250 kcmil	2.64	5.78	2.13	5/16
BIBD250-8	8	10 AWG-250 kcmil	2.64	7.66	2.13	5/16
BIBD250-10	10	10 AWG-250 kcmil	2.64	9.53	2.13	5/16
BIBD250-12	12	10 AWG-250 kcmil	2.64	11.41	2.13	5/16
BIBD250-14	14	10 AWG-250 kcmil	2.64	13.29	2.13	5/16
BIBD350-2	2	10 AWG-350 kcmil	3.00	2.22	2.50	5/16
BIBD350-3	3	10 AWG-350 kcmil	3.00	3.13	2.50	5/16

Catalog Number	# of Ports	Wire Range (AWG/kcmil)	W	L	H	Hex Key
BIBD350-4	4	10 AWG-350 kcmil	3.00	4.04	2.50	5/16
BIBD350-5	5	10 AWG-350 kcmil	3.00	4.95	2.50	5/16
BIBD350-6	6	10 AWG-350 kcmil	3.00	5.86	2.50	5/16
BIBD350-8	8	10 AWG-350 kcmil	3.00	7.68	2.50	5/16
BIBD350-10	10	10 AWG-350 kcmil	3.00	9.50	2.50	5/16
BIBD350-12	12	10 AWG-350 kcmil	3.00	11.32	2.50	5/16
BIBD350-14	14	10 AWG-350 kcmil	3.00	13.14	2.50	5/16
BIBD600-2	2	4 AWG-600 kcmil	3.00	2.56	2.75	3/8
BIBD600-3	3	4 AWG-600 kcmil	3.00	3.77	2.75	3/8
BIBD600-4	4	4 AWG-600 kcmil	3.00	4.97	2.75	3/8
BIBD600-5	5	4 AWG-600 kcmil	3.00	6.17	2.75	3/8
BIBD600-6	6	4 AWG-600 kcmil	3.00	7.37	2.75	3/8
BIBD600-8	8	4 AWG-600 kcmil	3.00	9.78	2.75	3/8
BIBD600-10	10	4 AWG-600 kcmil	3.00	12.97	2.75	3/8
BIBD600-12	12	4 AWG-600 kcmil	3.00	15.53	2.75	3/8
BIBD600-14	14	4 AWG-600 kcmil	3.00	18.09	2.75	3/8
BIBD750-2*	2	2 AWG-750 kcmil	3.38	2.87	3.00	3/8
BIBD750-3*	3	2 AWG-750 kcmil	3.38	4.25	3.00	3/8
BIBD750-4*	4	2 AWG-750 kcmil	3.38	5.63	3.00	3/8
BIBD750-6*	6	2 AWG-750 kcmil	3.38	8.37	3.00	3/8
BIBD750-8*	8	2 AWG-750 kcmil	3.38	11.13	3.00	3/8
BIBD750-10*	10	2 AWG-750 kcmil	3.38	13.87	3.00	3/8
BIBD750-12*	12	2 AWG-750 kcmil	3.38	16.63	3.00	3/8
BIBD750-14*	14	2 AWG-750 kcmil	3.38	19.37	3.00	3/8

NOTE: Only 1 conductor per port allowed.
 * Not UL Listed.
 UNITAP™ rated for code conductor only.

TYPE BIBS-MT, BIBD-MT

UNITAP™

Clear Insulated Multiple Tap Connectors Mounting Version

The BIBS-MT and BIBD-MT series UNITAP™ offer the same multi-port capabilities as the standard UNITAP™ connectors except these -MT types are provided with two isolated mounting holes at both ends of the connector for direct mounting to a trough, gutter or wireway. They will accommodate up to standard 1/4" hardware.

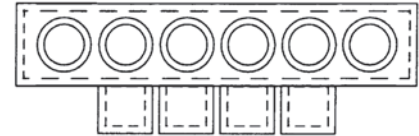


Fig. 1

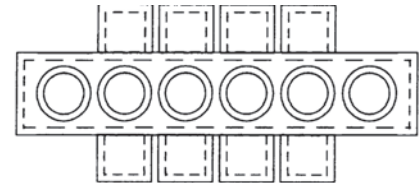


Fig. 2

MULTI-PORT Single-Sided Entry

Catalog Number	Fig. #	# of Ports	Wire Range (AWG/kcmil)	L	W	H	Hex Key
BIBS2/04MT	1	4	#14 -2/0 Str	4.20	1.25	1.50	3/16
BIBS2/06MT	1	6	#14 -2/0 Str	5.54	1.25	1.50	3/16
BIBS2/08MT	1	8	14 AWG-2/0 Str	6.89	1.25	1.50	3/16
BIBS2/010MT	1	10	14 AWG-2/0 Str	8.23	1.25	1.50	3/16
BIBS2/012MT	1	12	14 AWG-2/0 Str	9.58	1.25	1.50	3/16
BIBS2504MT	1	4	10 AWG-250 kcmil	5.78	1.95	2.63	5/16
BIBS2506MT	1	6	10 AWG-250 kcmil	7.65	1.95	2.63	5/16
BIBS2508MT	1	8	10 AWG-250 kcmil	9.53	1.95	2.63	5/16
BIBS25010MT	1	10	10 AWG-250 kcmil	11.41	1.95	2.63	5/16
BIBS25012MT	1	12	10 AWG-250 kcmil	13.28	1.95	2.63	5/16
BIBS3504MT	1	4	10 AWG-350 kcmil	5.86	2.19	2.63	5/16
BIBS3506MT	1	6	10 AWG-350 kcmil	7.68	2.19	2.63	5/16
BIBS3508MT	1	8	10 AWG-350 kcmil	9.50	2.19	2.63	5/16
BIBS35010MT	1	10	10 AWG-350 kcmil	11.32	2.19	2.63	5/16
BIBS35012MT	1	12	10 AWG-350 kcmil	13.41	2.19	2.63	5/16
BIBS6004MT	1	4	4 AWG-600 kcmil	7.84	2.25	2.88	3/8
BIBS6006MT	1	6	4 AWG-600 kcmil	10.41	2.25	2.88	3/8
BIBS6008MT	1	8	4 AWG-600 kcmil	12.97	2.25	2.88	3/8
BIBS60010MT	1	10	4 AWG-600 kcmil	15.53	2.25	2.88	3/8
BIBS60012MT	1	12	4 AWG-600 kcmil	18.09	2.25	2.88	3/8

UNITAP™ rated for code conductor only.

MULTI-PORT Double-Sided Entry

Catalog Number	Fig. #	# of Ports	Wire Range (AWG/kcmil)	L	W	H	Hex Key
BIBD2/04MT	2	4	14 AWG-2/0 AWG	4.20	1.56	1.50	3/16
BIBD2/06MT	2	6	14 AWG-2/0 AWG	5.54	1.56	1.50	3/16
BIBD2/08MT	2	8	14 AWG-2/0 AWG	6.89	1.56	1.50	3/16
BIBD2/010MT	2	10	14 AWG-2/0 AWG	8.23	1.56	1.50	3/16
BIBD2/012MT	2	12	14 AWG-2/0 AWG	9.58	1.56	1.50	3/16
BIBD2504MT	2	4	10 AWG-250 kcmil	5.78	2.64	2.26	5/16
BIBD2506MT	2	6	10 AWG-250 kcmil	7.65	2.64	2.26	5/16
BIBD2508MT	2	8	10 AWG-250 kcmil	9.53	2.64	2.26	5/16
BIBD25010MT	2	10	10 AWG-250 kcmil	11.41	2.64	2.26	5/16
BIBD25012MT	2	12	10 AWG-250 kcmil	13.28	2.64	2.26	5/16
BIBD3504MT	2	4	10 AWG-350 kcmil	5.86	3.00	2.63	5/16
BIBD3506MT	2	6	10 AWG-350 kcmil	7.68	3.00	2.63	5/16
BIBD3508MT	2	8	10 AWG-350 kcmil	9.50	3.00	2.63	5/16
BIBD35010MT	2	10	10 AWG-350 kcmil	11.32	3.00	2.63	5/16
BIBD35012MT	2	12	10 AWG-350 kcmil	13.41	3.00	2.63	5/16
BIBD6004MT	2	4	4 AWG-600 kcmil	7.84	3.00	2.88	3/8
BIBD6006MT	2	6	4 AWG-600 kcmil	10.41	3.00	2.88	3/8
BIBD6008MT	2	8	4 AWG-600 kcmil	12.97	3.00	2.88	3/8
BIBD60010MT	2	10	4 AWG-600 kcmil	15.53	3.00	2.88	3/8
BIBD60012MT	2	12	4 AWG-600 kcmil	18.09	3.00	2.88	3/8

UNITAP™ rated for code conductor only.

UV RATED
BLACK UNITAP™

UNITAP™

600V, 90°C



Features & Benefits

- UV Rated Plastisol covered AL6061-T6 aluminum body saves time by eliminating the need for taping.
- Oxide inhibitor pre-installed inhibits moisture and contaminants from entering the contact area.
- Range-taking capability reduces the number of connectors carried in inventory.
- UL486B Listed, AL9CU, 600V 90°C.

Catalog Number	# of Ports	Wire Range (AWG/kcmil)	L	W	H	Hex Key	Torque
1PL42	2	14 AWG-4 AWG	1.08	1.16	1.25	1/8	45
1PLO42	2	14 AWG-4 AWG	1.08	1.50	1.25	1/8	45
1PL2/02	2	14 AWG-2/0 AWG	1.52	1.40	1.38	3/16	120
1PLO2/02	2	14 AWG-2/0 AWG	1.52	1.56	1.38	3/16	120
1PL2502	2	10 AWG-250 kcmil	2.03	2.07	2.13	5/16	275
1PLO2502	2	10 AWG-250 kcmil	2.03	2.64	2.13	5/16	275
1PL3502	2	10 AWG-350 kcmil	2.22	2.32	2.50	5/16	275
1PLO3502	2	#10-350 kcmil	2.22	3.00	2.50	5/16	275
1PL6002	2	10 AWG-600 kcmil	2.72	2.38	2.75	3/8	375
1PLO6002	2	4 AWG-600 kcmil	2.72	3.00	2.75	3/8	375
1PBS2	2	14 AWG-2 AWG	2.38	0.75	1.22	5/32	45
1PBS1/0	2	14 AWG-1/0	2.91	0.91	1.38	3/16	120
1PBS250	2	10 AWG-250 kcmil	4.01	1.19	2.10	5/16	120
1PBS350	2	10 AWG-350 kcmil	4.63	1.34	2.35	1/3	275
1PBS500	2	6 AWG-500 kcmil	5.00	1.62	2.62	3/8	375
1PL43	3	14 AWG-4 AWG	1.51	1.25	1.25	1/8	45
1PL44	4	14 AWG-4 AWG	1.95	1.25	1.25	1/8	45
1PL2/03	3	14 AWG-2/0 AWG	2.19	1.31	1.38	3/16	120
1PL2503	3	10 AWG-250 kcmil	2.97	2.07	2.13	1/3	275
1PLD43	3	14 AWG-4 AWG	1.51	1.50	1.25	1/8	45
1PLD44	4	14 AWG-4 AWG	1.95	1.50	1.25	1/8	45
1PLD2/02	2	14 AWG-2/0 AWG	1.52	1.56	1.38	1/5	120
1PLD2/03	3	14 AWG-2/0 AWG	2.19	1.56	1.38	3/16	120
1PLD2/04	4	14 AWG-2/0 AWG	2.86	1.56	1.38	3/16	120
1PLD2/06	6	14 AWG-2/0 AWG	4.20	1.56	1.38	3/16	120
1PLD2502	2	10 AWG-250 kcmil	2.03	2.64	2.13	5/16	275
1PLD2503	3	10 AWG-250 kcmil	2.97	2.64	2.13	5/16	275
1PLD2504	4	10 AWG-250 kcmil	3.91	2.64	2.13	5/16	275
1PLD2506	6	10 AWG-250 kcmil	5.78	2.64	2.13	5/16	275
1PLD3502	2	10 AWG-350 kcmil	2.22	3.00	2.50	5/16	375
1PLD3503	3	10 AWG-350 kcmil	3.13	3.00	2.50	5/16	375
1PLD3504	4	10 AWG-350 kcmil	4.04	3.00	2.50	5/16	375
1PLD3506	6	10 AWG-350 kcmil	5.86	3.00	2.50	5/16	375
1PLD3508	8	10 AWG-350 kcmil	7.68	3.00	2.50	5/16	375
1PLD6002	2	4 AWG-600 kcmil	2.72	3.00	2.75	3/8	375
1PLD6003	3	4 AWG-600 kcmil	4.00	3.00	2.75	3/8	375
1PLD6004	4	4 AWG-600 kcmil	5.28	3.00	2.75	3/8	375
1PLD6005	5	4 AWG-600 kcmil	6.56	3.00	2.75	3/8	375
1PLD6006	6	4 AWG-600 kcmil	7.84	3.00	2.75	3/8	375
1PLD6008	8	4 AWG-600 kcmil	10.40	3.00	2.75	3/8	375

1PL = 2 Port Single Sided Entry
1PLO = 2 Port Offset Entry

1PBS = In-line Splice/Reducer
1PL = Multi-Port Single Sided Entry

1PLD = Multi-Port Double Sided Entry
UNITAP™ rated for code conductor only.

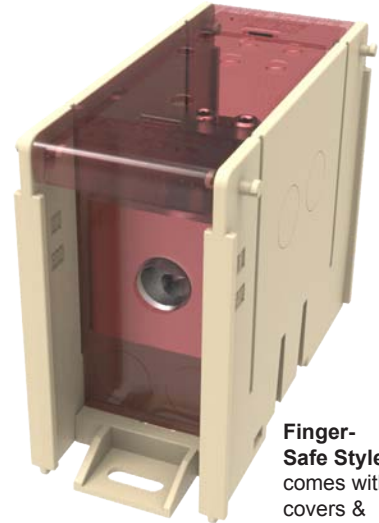
VERSIPOLE™

UL Listed 1953
Finger-Safe IEC 60527; IP-20
Rating

The VERSIPOLE™ Configurable Series Power Distribution Blocks are used for splicing and distributing power from primary run(s) to secondary/branch circuits. They are offered in standard one, two, or three pole configurations. Each configuration is available in either an "Open" or "Finger-Safe" style. The configurable series can also be designed to accommodate an infinite number of made-to-order combinations.



Figure 1



Finger-Safe Style comes with covers & end plates

Features & Benefits



- 1000 Volt rated
- Listed to UL1953
- Rated for use with both code and flex conductor without requiring ferrules
- Available in three sizes for space optimization
- AL9CU dual rated for use with copper and aluminum conductors
- Range taking designs accommodate wire sizes up to 535 DLO and can support 1 or 2 run conductors and up to 12 taps for secondary circuits
- Allow for panel mounting; medium and large sizes also allow for DIN rail mounting
- Finger-Safe style are provided with translucent polycarbonate top covers and end plates to permit easy visual inspection and provide IEC 60529 IP-20 Rating
- High Short-Circuit Current rating up to 100kA with proper fusing
- Bases and side barriers of glass-reinforced nylon 6/6 for extra durability and excellent insulating properties; carry a UL94 flammability rating of V0



Finger-Safe Kits include only covers & end plates

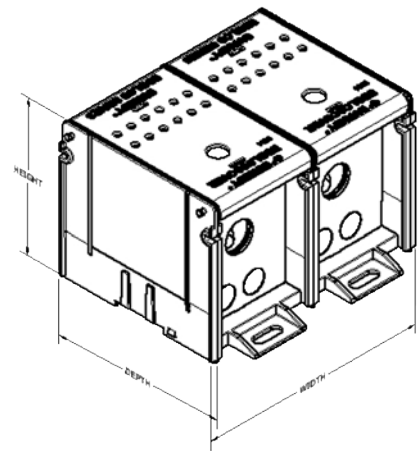
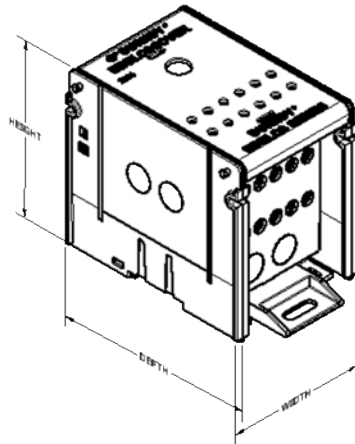
Figure 3

Ordering Information & Footnotes:

Finger-Safe Kits include translucent top cover and end plates only. Order 1 kit per pole. The kits are used in conjunction with Open style distribution blocks. (Distribution blocks are not included.)

† To achieve Finger-Safe style Addder order Open style Addder and Finger-Safe Kit

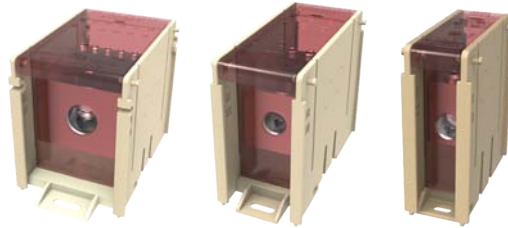
Optional Hinged Covers are available for use with Open style blocks and are ordered 1 cover per pole.



Optional Hinged Covers:	
Catalog Number	Size
BDBSCCOVER	Small
BDBMCCOVER	Medium
BDBLCCOVER	Large

VERSIPOLE™

(Continued)



Finger-Safe Style
with covers & end plates

Small Series:											
Catalog Number			# of Conductors		Wire Range (Class B, C, H, I, K, DLO)		# of Poles	Dimensions			Amp Rating per Pole
Open Style (Fig. 1)	Finger-Safe Style (Fig. 2)	Finger-Safe Kit (Fig. 3)	Run	Tap	Run	Tap		W	D	H	
BDBSCS1C1	BDBSCS1C1FS	BDBSCS1C1FSKIT	1	4	#14 - 2/0	#14 - #4	1	1.34	2.76	5.56	175
BDBSCS1C2	BDBSCS1C2FS						2	2.41	2.76	5.56	175
BDBSCS1C3	BDBSCS1C3FS						3	3.48	2.76	5.56	175
BDBSCS1CA	†						Adder	1.16	2.76	5.56	175
BDBSCS1P1	BDBSCS1P1FS	BDBSCS1P1FSKIT	1	1	#14 - 2/0	#14 - 2/0	1	1.34	2.76	5.56	175
BDBSCS1P2	BDBSCS1P2FS						2	2.41	2.76	5.56	175
BDBSCS1P3	BDBSCS1P3FS						3	3.48	2.76	5.56	175
BDBSCS1PA	†						Adder	1.16	2.76	5.56	175

Medium Series:											
Catalog Number			# of Conductors		Wire Range (Class B, C, H, I, K, DLO)		# of Poles	Dimensions			Amp Rating per Pole
Open Style (Fig. 1)	Finger-Safe Style (Fig. 2)	Finger-Safe Kit (Fig. 3)	Run	Tap	Run	Tap		W	D	H	
BDBMCS1F1	BDBMCS1F1FS	BDBMCS1F1FSKIT	1	6	#14 - 2/0	#14 - #2	1	2.09	4.52	3.70	175
BDBMCS1F2	BDBMCS1F2FS						2	3.90	4.52	3.70	175
BDBMCS1F3	BDBMCS1F3FS						3	5.72	4.52	3.70	175
BDBMCS1FA	†						Adder	1.91	4.52	3.70	175
BDBMCS3U1	BDBMCS3U1FS	BDBMCS3U1FSKIT	1	1	#6 - 350	#6 - 350	1	2.09	4.52	3.70	310
BDBMCS3U2	BDBMCS3U2FS						2	3.90	4.52	3.70	310
BDBMCS3U3	BDBMCS3U3FS						3	5.72	4.52	3.70	310
BDBMCS3UA	†						Adder	1.91	4.52	3.70	310
BDBMCS2F1	BDBMCS2F1FS	BDBMCS2F1FSKIT	2	6	#14 - 2/0	#14 - #2	1	2.09	4.52	3.70	350
BDBMCS2F2	BDBMCS2F2FS						2	3.90	4.52	3.70	350
BDBMCS2F3	BDBMCS2F3FS						3	5.72	4.52	3.70	350
BDBMCS2FA	†						Adder	1.91	4.52	3.70	350
BDBMCS2N1	BDBMCS2N1FS	BDBMCS2N1FSKIT	2	2	#14 - 2/0	#14 - 2/0	1	2.09	4.52	3.70	350
BDBMCS2N2	BDBMCS2N2FS						2	3.90	4.52	3.70	350
BDBMCS2N3	BDBMCS2N3FS						3	5.72	4.52	3.70	350
BDBMCS2NA	†						Adder	1.91	4.52	3.70	350
BDBMCS5F1	BDBMCS5F1FS	BDBMCS5F1FSKIT	1	6	#4 - 500	#14 - #2	1	2.09	4.52	3.70	380
BDBMCS5F2	BDBMCS5F2FS						2	3.90	4.52	3.70	380
BDBMCS5F3	BDBMCS5F3FS						3	5.72	4.52	3.70	380
BDBMCS5FA	†						Adder	1.91	4.52	3.70	380
BDBMCS5M1	BDBMCS5M1FS	BDBMCS5M1FSKIT	1	4	#4 - 500	#14 - 2/0	1	2.09	4.52	3.70	380
BDBMCS5M2	BDBMCS5M2FS						2	3.90	4.52	3.70	380
BDBMCS5M3	BDBMCS5M3FS						3	5.72	4.52	3.70	380
BDBMCS5MA	†						Adder	1.91	4.52	3.70	380

VERSIPOLE™

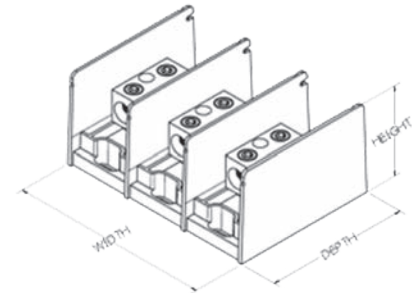
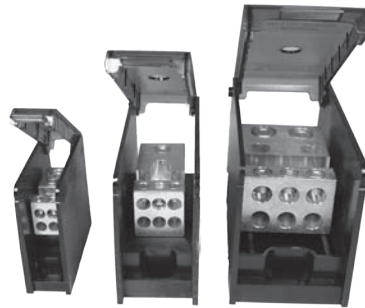
(Continued)

Large Series:

Catalog Number			# of Conductors		Wire Range (Class B, C, H, I, K, DLO)		# of Poles	Dimensions			Amp Rating per Pole
Open Style (Fig. 1)	Finger-Safe Style (Fig. 2)	Finger-Safe Kit (Fig. 3)	Run	Tap	Run	Tap		W	D	H	
BDBLCS3A1	BDBLCS3A1FS	BDBLCS3A1FSKIT	1	12	#6 - 350	#14 - #4	1	3.25	5.54	4.12	310
BDBLCS3A2	BDBLCS3A2FS						2	6.17	5.54	4.12	310
BDBLCS3A3	BDBLCS3A3FS						3	9.09	5.54	4.12	310
BDBLCS3AA	†						Adder	3.05	5.54	4.12	310
BDBLCS3K1	BDBLCS3K1FS	BDBLCS3K1FSKIT	1	6	#6 - 350	#14 - 2/0	1	3.25	5.54	4.12	310
BDBLCS3K2	BDBLCS3K2FS						2	6.17	5.54	4.12	310
BDBLCS3K3	BDBLCS3K3FS						3	9.09	5.54	4.12	310
BDBLCS3KA	†						Adder	3.05	5.54	4.12	310
BDBLCS5K1	BDBLCS5K1FS	BDBLCS5K1FSKIT	1	6	#4 - 500	#14 - 2/0	1	3.25	5.54	4.12	380
BDBLCS5K2	BDBLCS5K2FS						2	6.17	5.54	4.12	380
BDBLCS5K3	BDBLCS5K3FS						3	9.09	5.54	4.12	380
BDBLCS5KA	†						Adder	3.05	5.54	4.12	380
BDBLCS5W1	BDBLCS5W1FS	BDBLCS5W1FSKIT	1	1	#4 - 500	#4 - 500	1	3.25	5.54	4.12	380
BDBLCS5W2	BDBLCS5W2FS						2	6.17	5.54	4.12	380
BDBLCS5W3	BDBLCS5W3FS						3	9.09	5.54	4.12	380
BDBLCS5WA	†						Adder	3.05	5.54	4.12	380
BDBLCS4K1	BDBLCS4K1FS	BDBLCS4K1FSKIT	2	6	#6 - 350	#14 - 2/0	1	3.25	5.54	4.12	620
BDBLCS4K2	BDBLCS4K2FS						2	6.17	5.54	4.12	620
BDBLCS4K3	BDBLCS4K3FS						3	9.09	5.54	4.12	620
BDBLCS4KA	†						Adder	3.05	5.54	4.12	620
BDBLCS4T1	BDBLCS4T1FS	BDBLCS4T1FSKIT	2	2	#6 - 350	#6 - 350	1	3.25	5.54	4.12	620
BDBLCS4T2	BDBLCS4T2FS						2	6.17	5.54	4.12	620
BDBLCS4T3	BDBLCS4T3FS						3	9.09	5.54	4.12	620
BDBLCS4TA	†						Adder	3.05	5.54	4.12	620
BDBLCS6A1	BDBLCS6A1FS	BDBLCS6A1FSKIT	2	12	#4 - 500	#14 - #4	1	3.25	5.54	4.12	760
BDBLCS6A2	BDBLCS6A2FS						2	6.17	5.54	4.12	760
BDBLCS6A3	BDBLCS6A3FS						3	9.09	5.54	4.12	760
BDBLCS6AA	†						Adder	3.05	5.54	4.12	760
BDBLCS6K1	BDBLCS6K1FS	BDBLCS6K1FSKIT	2	6	#4 - 500	#14 - 2/0	1	3.25	5.54	4.12	760
BDBLCS6K2	BDBLCS6K2FS						2	6.17	5.54	4.12	760
BDBLCS6K3	BDBLCS6K3FS						3	9.09	5.54	4.12	760
BDBLCS6KA	†						Adder	3.05	5.54	4.12	760
BDBLCS6R1	BDBLCS6R1FS	BDBLCS6R1FSKIT	2	4	#4 - 500	#6 - 4/0	1	3.25	5.54	4.12	760
BDBLCS6R2	BDBLCS6R2FS						2	6.17	5.54	4.12	760
BDBLCS6R3	BDBLCS6R3FS						3	9.09	5.54	4.12	760
BDBLCS6RA	†						Adder	3.05	5.54	4.12	760
BDBLCS6V1	BDBLCS6V1FS	BDBLCS6V1FSKIT	2	2	#4 - 500	#4 - 500	1	3.25	5.54	4.12	760
BDBLCS6V2	BDBLCS6V2FS						2	6.17	5.54	4.12	760
BDBLCS6V3	BDBLCS6V3FS						3	9.09	5.54	4.12	760
BDBLCS6VA	†						Adder	3.05	5.54	4.12	760

**UL LISTED
POWER DISTRIBUTION
BLOCKS**

VERSIPOLE™



These Power Distribution Blocks are Listed to the Power Distribution Block Standard UL 1953. They contain the same features and characteristics as the non-Listed blocks however, these have spacings that are suitable for installations in most industrial control panel feeder and branch circuits, HVAC systems, and Wireways (with optional cover; sold separately). They are available in one, two, or three pole configurations. An “Adder” is also available with optional End Barrier (sold separately), to allow user customized configurations.

Features & Benefits

- Single or dual run connections allow the user to minimize the number of connections required
 - Suitable for use with aluminum or copper conductors providing maximum versatility
 - Available in 3 sizes for optimization of space
 - 600V, ALCU Rated; meets or exceeds industry standard requirements
 - Range taking designs to accommodate wire sizes up to 600 kcmil
 - High Short-Circuit Rating up to 100kA with proper fusing
 - Meets spacing requirements of Industrial Control Panel Standard UL 508A (spacing of 1” through air and 2” over surface)
 - Adders and End Barriers available separately for all 3 sizes providing capability to create as many poles as required
 - Hinged Covers available separately to cover 3 sizes providing user protection and easy access to connector terminal block
- ¹ Short-Circuit Current Rating with proper fusing

Small Series:

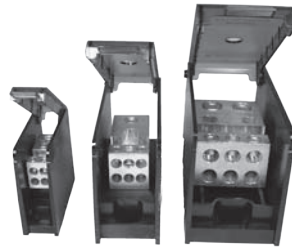
Catalog Number	Connector		Run	Tap	Width	Height	Depth	Ampere Rating per Pole	Number of Poles	SCCR ¹
	Number of Run(s)	Number of Tap(s)	Wire Range AL9CU	Wire Range AL9CU						
BDCSHC142/01	1	4	14-2/0	14-4	1.05	2.81	3.08	175	1	100kA
BDASHC142/01	1	4	14-2/0	14-4	0.93	2.81	3.08	175	Adder	100kA
BDCSHC112/01	1	1	14-2/0	14-2/0	1.05	2.81	3.08	175	1	100kA
BDASHC112/01	1	1	14-2/0	14-2/0	0.93	2.81	3.08	175	Adder	100kA

Small Series Hinged Cover and End Barrier:

Catalog Number	Description
BDASHCEB	End Barrier for Small Series Adder Distribution Blocks
BDBSHCCOVER	Hinged Cover for use with Small Series Distribution Blocks and Adders (use of End Barrier necessary with Adders to attach cover). Order 1 cover per pole

**UL LISTED
POWER DISTRIBUTION
BLOCKS**

VERSIPOLE™



Medium Series:

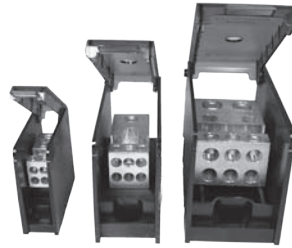
Catalog Number	Connector		Run	Tap	Width	Height	Depth	Ampere Rating per Pole	Number of Poles	SCCR ¹
	Number of Run(s)	Number of Tap(s)	Wire Range AL9CU	Wire Range AL9CU						
BDBMHC162/01	1	6	14-2/0	14-2	1.85	3.25	5	175	1	100kA
BDBMHC162/02	1	6	14-2/0	14-2	3.57	3.25	5	175	2	100kA
BDBMHC162/03	1	6	14-2/0	14-2	5.28	3.25	5	175	3	100kA
BDAMHC162/0	1	6	14-2/0	14-2	1.72	3.25	5	175	Adder	100kA
BDBMHC112/01	1	1	14-2/0	14-2/0	1.85	3.25	5	175	1	100kA
BDBMHC112/02	1	1	14-2/0	14-2/0	3.57	3.25	5	175	2	100kA
BDBMHC112/03	1	1	14-2/0	14-2/0	5.28	3.25	5	175	3	100kA
BDAMHC112/0	1	1	14-2/0	14-2/0	1.72	3.25	5	175	Adder	100kA
BDBMHC113501	1	1	6-350	6-350	1.85	3.25	5	310	1	100kA
BDBMHC113502	1	1	6-350	6-350	3.57	3.25	5	310	2	100kA
BDBMHC113503	1	1	6-350	6-350	5.28	3.25	5	310	3	100kA
BDAMHC11350	1	1	6-350	6-350	1.72	3.25	5	310	Adder	100kA
BDBMHC262/01	2	6	14-2/0	14-2	1.85	3.25	5	350	1	100kA
BDBMHC262/02	2	6	14-2/0	14-2	3.57	3.25	5	350	2	100kA
BDBMHC262/03	2	6	14-2/0	14-2	5.28	3.25	5	350	3	100kA
BDAMHC262/0	2	6	14-2/0	14-2	1.72	3.25	5	350	Adder	100kA
BDBMHC222/01	2	2	14-2/0	14-2/0	1.85	3.25	5	350	1	100kA
BDBMHC222/02	2	2	14-2/0	14-2/0	3.57	3.25	5	350	2	100kA
BDBMHC222/03	2	2	14-2/0	14-2/0	5.28	3.25	5	350	3	100kA
BDAMHC222/0	2	2	14-2/0	14-2/0	1.72	3.25	5	350	Adder	100kA
BDBMHC145001	1	4	4-500	14-2/0	1.85	3.25	5	380	1	100kA
BDBMHC145002	1	4	4-500	14-2/0	3.57	3.25	5	380	2	100kA
BDBMHC145003	1	4	4-500	14-2/0	5.28	3.25	5	380	3	100kA
BDAMHC14500	1	4	4-500	14-2/0	1.72	3.25	5	380	Adder	100kA
BDBMHC1625001	1	6	4-500	14-2	1.85	3.25	5	380	1	100kA
BDBMHC1625002	1	6	4-500	14-2	3.57	3.25	5	380	2	100kA
BDBMHC1625003	1	6	4-500	14-2	5.28	3.25	5	380	3	100kA
BDAMHC162500	1	6	4-500	14-2	1.72	3.25	5	380	Adder	100kA

Medium Series Hinged Cover and End Barrier:

Catalog Number	Description
BDAMHCEB	End Barrier for Medium Series Adder Distribution Blocks
BDBMHCCOVER	Hinged Cover for use with Medium Series Distribution Blocks and Adders (use of End Barrier necessary with Adders to attach cover). Order 1 cover per pole

**UL LISTED
POWER DISTRIBUTION
BLOCKS**

VERSIPOLE™



Large Series:

Catalog Number	Connector		Run Wire Range AL9CU	Tap Wire Range AL9CU	Width	Height	Depth	Ampere Rating per Pole	Number of Poles	SCCR ¹
	Number of Run(s)	Number of Tap(s)								
BDBLHC1123501	1	12	6-350	14-4	2.73	3.55	5.7	310	1	100kA
BDBLHC1123502	1	12	6-350	14-4	5.31	3.55	5.7	310	2	100kA
BDBLHC1123503	1	12	6-350	14-4	7.89	3.55	5.7	310	3	100kA
BDALHC112350	1	12	6-350	14-4	2.58	3.55	5.7	310	Adder	100kA
BDBLHC163501	1	6	6-350	14-2/0	2.73	3.55	5.7	310	1	100kA
BDBLHC163502	1	6	6-350	14-2/0	5.31	3.55	5.7	310	2	100kA
BDBLHC163503	1	6	6-350	14-2/0	7.89	3.55	5.7	310	3	100kA
BDALHC16350	1	6	6-350	14-2/0	2.58	3.55	5.7	310	Adder	100kA
BDBLHC115001	1	1	4-500	4-500	2.73	3.55	5.7	380	1	100kA
BDBLHC115002	1	1	4-500	4-500	5.31	3.55	5.7	380	2	100kA
BDBLHC115003	1	1	4-500	4-500	7.89	3.55	5.7	380	3	100kA
BDALHC11500	1	1	4-500	4-500	2.58	3.55	5.7	380	Adder	100kA
BDBLHC165001	1	6	4-500	14-2/0	2.73	3.55	5.7	380	1	100kA
BDBLHC165002	1	6	4-500	14-2/0	5.31	3.55	5.7	380	2	100kA
BDBLHC165003	1	6	4-500	14-2/0	7.89	3.55	5.7	380	3	100kA
BDALHC16500	1	6	4-500	14-2/0	2.58	3.55	5.7	380	Adder	100kA
BDBLHC2125001	2	12	4-500	14-4	2.73	3.55	5.7	760	1	100kA
BDBLHC2125002	2	12	4-500	14-4	5.31	3.55	5.7	760	2	100kA
BDBLHC2125003	2	12	4-500	14-4	7.89	3.55	5.7	760	3	100kA
BDALHC212500	2	12	4-500	14-4	2.58	3.55	5.7	760	Adder	100kA
BDBLHC263501	2	6	6-350	14-2/0	2.73	3.55	5.7	620	1	100kA
BDBLHC263502	2	6	6-350	14-2/0	5.31	3.55	5.7	620	2	100kA
BDBLHC263503	2	6	6-350	14-2/0	7.89	3.55	5.7	620	3	100kA
BDALHC26350	2	6	6-350	14-2/0	2.58	3.55	5.7	620	Adder	100kA
BDBLHC223501	2	2	6-350	6-350	2.73	3.55	5.7	620	1	100kA
BDBLHC223502	2	2	6-350	6-350	5.31	3.55	5.7	620	2	100kA
BDBLHC223503	2	2	6-350	6-350	7.89	3.55	5.7	620	3	100kA
BDALHC22350	2	2	6-350	6-350	2.58	3.55	5.7	620	Adder	100kA
BDBLHC225001	2	2	4-500	4-500	2.73	3.55	5.7	760	1	100kA
BDBLHC225002	2	2	4-500	4-500	5.31	3.55	5.7	760	2	100kA
BDBLHC225003	2	2	4-500	4-500	7.89	3.55	5.7	760	3	100kA
BDALHC22500	2	2	4-500	4-500	2.58	3.55	5.7	760	Adder	100kA

**UL LISTED
POWER DISTRIBUTION
BLOCKS**

VERSIPOLE™



Large Series (continued):

Catalog Number	Connector		Run	Tap	Width	Height	Depth	Ampere Rating per Pole	Number of Poles	SCCR ¹
	Number of Run(s)	Number of Tap(s)	Wire Range AL9CU	Wire Range AL9CU						
BDBLHC265001	2	6	4-500	14-2/0	2.73	3.55	5.7	760	1	100kA
BDBLHC265002	2	6	4-500	14-2/0	5.31	3.55	5.7	760	2	100kA
BDBLHC265003	2	6	4-500	14-2/0	7.89	3.55	5.7	760	3	100kA
BDALHC26500	2	6	4-500	14-2/0	2.58	3.55	5.7	760	Adder	100kA
BDBLHC245001	2	4	4-500	6-4/0	2.73	3.55	5.7	760	1	100kA
BDBLHC245002	2	4	4-500	6-4/0	5.31	3.55	5.7	760	2	100kA
BDBLHC245003	2	4	4-500	6-4/0	7.89	3.55	5.7	760	3	100kA
BDALHC24500	2	4	4-500	6-4/0	2.58	3.55	5.7	760	Adder	100kA
BDBLHC226001	2	2	2-600	2-600	2.73	3.55	5.7	840	1	100kA
BDBLHC226002	2	2	2-600	2-600	5.31	3.55	5.7	840	2	100kA
BDBLHC226003	2	2	2-600	2-600	7.89	3.55	5.7	840	3	100kA
BDALHC22600	2	2	2-600	2-600	2.58	3.55	5.7	840	Adder	100kA

Large Series Hinged Cover and End Barrier:

Catalog Number	Description
BDALHCEB	End Barrier for Large Series Adder Distribution Blocks
BDBLHCCOVER	Hinged Cover for use with Large Series Distribution Blocks and Adders (use of End Barrier necessary with Adders to attach cover). Order 1 cover per pole

TYPE K-AG1

ALUMINUM NEUTRAL BAR

These aluminum neutral bars are dual rated for copper and aluminum conductors, and are manufactured from high strength 6061-T6 aluminum alloy and are electro tin plated to provide low contact resistance and protection against corrosion.



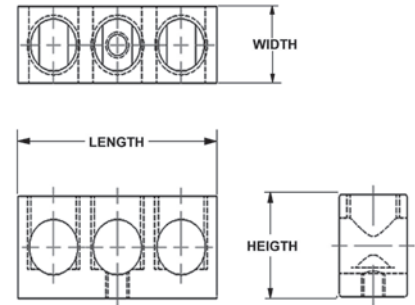
Fig. 1



Fig. 2



Fig. 3



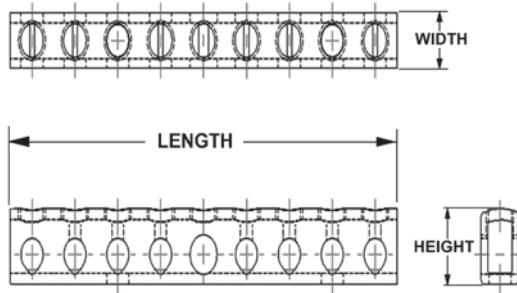
Catalog Number	Fig.	Wire Range Aluminum or Copper	Total Number of Holes	Total Number of Circuits	Mount Hole Locations	Height	Width	Length
K2P4CAG1	1	14 - 4	3	2	2	0.44	0.31	1.09
K3P4CAG1	1	14 - 4	5	3	1,5	0.44	0.31	1.67
K9P4CAG1	1	14 - 4	11	9	4,8	0.44	0.31	3.53
K13P4CAG1	1	14 - 4	15	13	6,12	0.44	0.31	4.77
K15P4CAG1	1	14 - 4	17	15	6,14	0.44	0.31	6.01
K5P6C2P1/0CAG1 ♦	2	14 - 1/0 14 - 6	7	(5) 14 - 6 (2) 14 - 1/0	-	0.62	0.38	2.26
K12P6C3P1/0CAG1 ♦	2	14 - 1/0 14 - 6	15	(12) 14 - 6 (3) 14 - 1/0	-	0.62	0.38	4.34
K14P6C5P1/0CAG1 ♦	2	14 - 1/0 14 - 6	19	(14) 14 - 6 (5) 14 - 1/0	-	0.62	0.38	5.77
K16P6C5P1/0CAG1 ♦	2	14 - 1/0 14 - 6	21	(17) 14 - 6 (4) 14 - 1/0	-	0.62	0.38	6.97
KAG1MTGBRKT	3	-	-	-	-	-	-	-

♦ Use (2) KAG1MTGBRKT to mount these neutral bars into enclosure

TYPES K-G1

COPPER NEUTRAL BAR

These copper neutral bars are manufactured from high strength pure electrolytic copper to insure maximum strength and conductivity.



Catalog Number	Number of Outlets	Conductor Range		Mounting Holes	Dimensions	Width	Length
		Line	Circuit				
K6P4CG1	6	14 - 4	6 - 14	0.20	0.23	0.34	3.56
K8P4CG1	8	14 - 4	6 - 14	0.20	0.47	0.34	4.37
K10P4CG1	10	14 - 4	6 - 14	0.20	0.75	0.34	5.15
K12P4CG1	12	14 - 4	6 - 14	0.20	0.75	0.34	5.94
K14P4CG1	14	14 - 4	6 - 14	0.20	0.75	0.34	6.75
K174P4CG1	174	14 - 4	6 - 14	none	0.47	0.34	69.00

**MISCELLANEOUS
ACCESSORIES**

TERMINAL BLOCKS

Molded General Purpose Phenolic Base 30
amps,
#10 studs, 1 piece per card, 300-volt rating
Meets UL component requirements

CLASS B:
Commercial Equipment 300 V RMS

CLASS C:
General Industrial 300 V RMS

Withstands volts, Vdc 10,500
Steel nickel plated screws



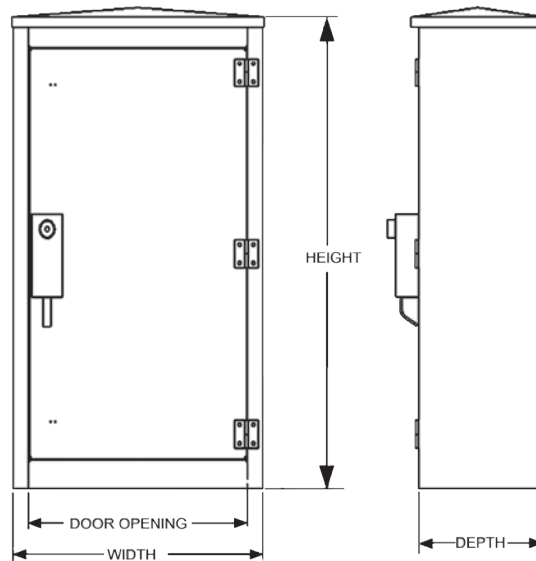
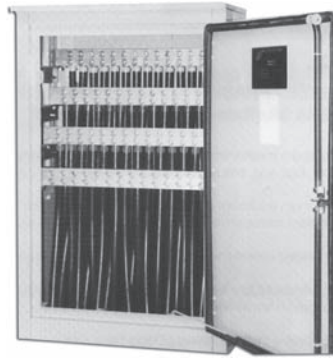
Catalog Number	Number of Circuits	General Description	Overall Length
RK149-2	2	Molded General Purpose Phenolic Base 30 amps, #10 studs 1 piece, per card 300-volt rating	2-3/32"
RK150-2	4		3-7/32"
RK225-2	6		4-11/32"
RK151-2	8		5-15/32"
RK152-2	10		6-19/32"
RK226-2	12		7-23/32"
RK153-2	14		8-27/32"
RK227-2	16		9-31/32"

For bulk pack contact factory.

TYPE BWTE

WALL-MOUNTED TERMINATION ENCLOSURES

These are three-phase, NEMA 3R (rain-proof), 600 Volt Rated wall mounted termination enclosures.



Features and Benefits

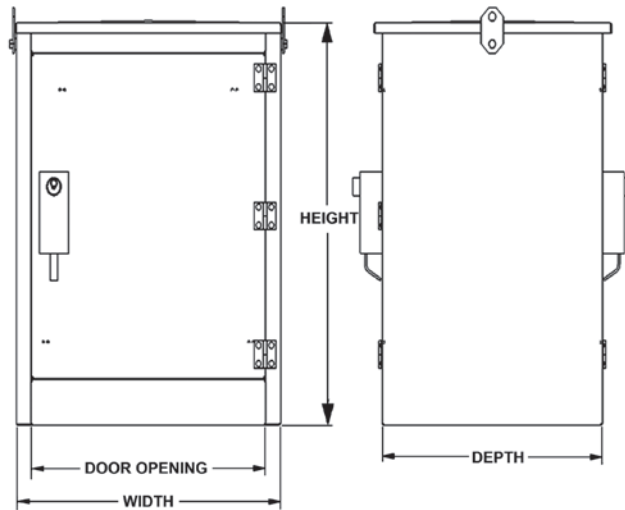
- Aluminum mechanical bar connectors eliminates need for compressions tools, lugs, and bolt assemblies
- Aluminum enclosure is lightweight, low maintenance and has excellent corrosion resistance
- Ample working space, allowing for easier termination with a removeable swinging door
- All-welded construction: welds and seams are ground smooth
- Manufactured to meet or exceed ANSI C57-12.28 for wall-mounted equipment enclosure integrity
- Three-point positive latch mechanism (secured and operated by a half-turn, captive and recessed penta-head bolt) and shielded padlock shackle
- Finish meets or exceeds proposed EEI paint specification
- Finish is gray, oven cured powder coat
- All mounting hardware is 18-8 stainless steel

Catalog Number	Conductor Range (AWG)	Number of Conductors per phase	Dimensions				UL Listed Amp Rating	
			W	D	H	Door Opening	Copper	Aluminum
BWTE21-500	10 - 500 kcmil	21	32.00	16.00	51.00	28.00	3800	3100
BWTE14-750	2 - 750 kcmil	14	32.00	16.00	51.00	28.00	3325	2695
BWTE14-1000	1/0 - 1000 kcmil	14	32.00	16.00	51.00	28.00	3815	3115

TYPE BPTE

PAD-MOUNTED TERMINATION ENCLOSURES

These are three-phase, NEMA 3R (rain-proof), 600 Volt Rated pad mounted termination enclosures.



Features and Benefits

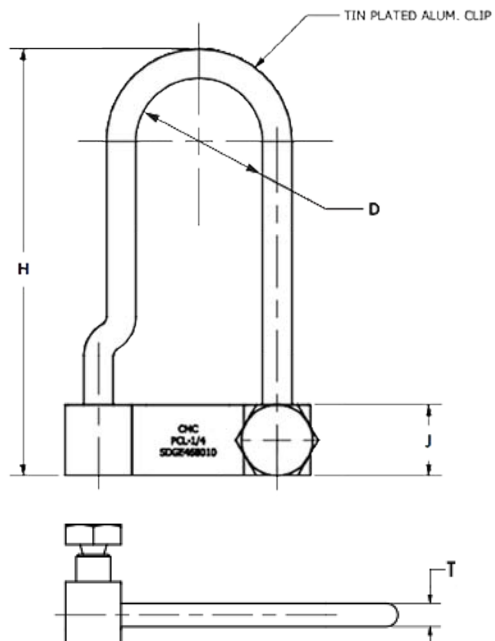
- Aluminum mechanical bar connectors eliminates need for compressions tools, lugs and bolt assemblies
- Aluminum enclosure is lightweight, low maintenance and has excellent corrosion resistance
- Ample working space, allowing for easier termination with a removeable swinging door
- All-welded construction: welds and seams are ground smooth
- Manufactured to meet or exceed ANSI C57-12.28 for wall-mounted equipment enclosure integrity
- Removable swinging doors - doors have stainless steel lift off hinges with stainless steel three point locking handles and recessed stainless steel penta-head bolts for security
- Finish is Munsell green, oven cured powder coat
- All mounting hardware is 18-8 stainless steel

Catalog Number	Conductor Range (AWG)	Number of Conductors per phase	Dimensions				UL Listed Amp Rating	
			W	D	H	Door Opening	Copper	Aluminum
BPTE26-500	10 - 500 kcmil	26	36.00	30.00	44.00	30.00	4560	3720
BPTE22-750	2 - 750 kcmil	22	36.00	30.00	44.00	30.00	5225	4235
BPTE20-1000	350 - 1000 kcmil	20	36.00	30.00	44.00	30.00	4905	4005
BPTE14-750	2 - 750 kcmil	14	25.00	24.00	44.00	19.00	3800	3100

TYPE BPCL

Disposable Enclosure Locks

Disposable enclosure locks provide quick locking and serve as an alternative to using padlocks. Generally, disposable locks are used to ensure tamper-proof safety and are less expensive. Used where entry is not required on a regular basis, such as electric meters, truck/trailer doors, electrical cabinets, and shipping containers, these locks provide the security of a shear head screw during installation. Available in 4 different designs, they are packaged 20 pieces to a bag.



Features and Benefits

- Alternative to padlocks
- Economical
- Corrosion free
- Adjustable to fit any hasp
- Excellent for locking points that are accessed infrequently
- Provide a more substantial solution than a wire seal
- Shear head screw provides easy installation and tamper proof security



Catalog Number	Figure #	Dimensions in Inches			
		H Height of Enclosure Lock	J Bolt Hex	D Clip Inside Diameter	T Clip Thickness
BPCL1	1	3.00	0.375	0.88	0.21
BPCL2	2	2.38	0.375	0.99	0.16
BPCL3	3	3.25	0.375	2.13	0.16
BPCL4	4	2.28	0.375	0.99	0.26

POWER DISTRIBUTION BLOCKS

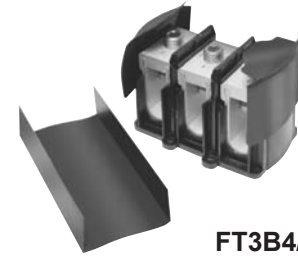
U-BLOK™

For Junction Box Applications

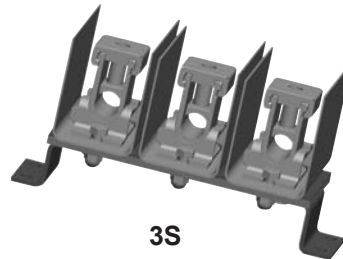
The U-BLOK™ system is a modern, state-of-the-art approach to multi-load power distribution applications. Among typical uses are multi-story or multi-unit buildings, HVAC, refrigeration, control panels, motor control, switch gear, elevator systems and materials handling equipment. U-BLOK™ is UL Listed for Copper or Aluminum conductors and rated for 600-volt applications. U-BLOK™ can be mounted on bases for use in troughs or bolted directly to junction boxes. AL9CU rated.



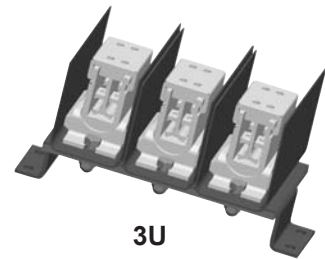
FT4B500



FT3B4/0



3S

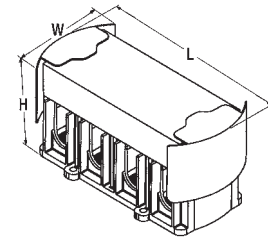


3U

Features & Benefits

- Connector top slides OFF/ON for quick cable lay-in
 - ◊ Labor savings. Easy access for installation, modifications or retrofit.
- Electro-tin plated connectors in each pole
 - ◊ Durability. High-conductivity and resistance to corrosion.
- Compact size
 - ◊ Requires less space than traditional connection methods.
- Trough installations can be mounted on

- raised platforms
 - ◊ Passage of cables under block means through-cables need not be terminated
- Insulating covers and mounting blocks rated 94-VO
 - ◊ Saves costly taping, time and material. Conforms to or exceeds building codes.
- Connectors accommodate a wide range of wire sizes
 - ◊ Reduces parts inventory requirements.
- Feeder conductors can be cut or fed through on a continuous run
 - ◊ Ease of installation.



3 WIRE POWER DISTRIBUTION BLOCKS

Catalog Number	Max. Number of Wires per Phase	Conductor Copper or Aluminum*		W	L	H	Weight Each	Allen Wrench Size	Recommended Tightening Torque	Strip Length
		Run	Tap							
FT3B4/0	2	3/0 - 4/0	6 - 4/0	3-7/8	5-7/8	4-1/8	1-1/4	1/4	200	1-1/2
FT3B500	2	400 - 500	6 - 500	3-7/8	5-7/8	4-1/8	2-1/8	3/8	375	2-5/16
3S	2	250 - 350	6 - 350	3-5/8	9-3/4	4-7/8	3	1/4	200	1-3/4
3U	1 Run / 8 Tap	3/0 - 500	6 - 1/0	4-3/4	9-3/4	5-1/2	3	5/32	110	2-5/16 (Run); 1-5/32 (Tap)

4 WIRE POWER DISTRIBUTION BLOCKS

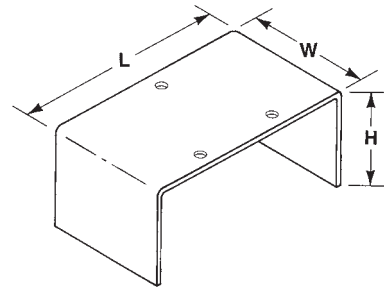
Catalog Number	Max. Number of Wires per Phase	Conductor Copper or Aluminum*		W	L	H	Weight Each	Allen Wrench Size	Recommended Tightening Torque	Strip Length
		Run	Tap							
FT4B4/0	2	3/0 - 4/0	6 - 4/0	3-7/8	7-7/8	4-1/8	2	1/4	200	1-1/2
FT4B500	2	400 - 500	6 - 500	3-7/8	7-7/8	4-1/8	2-3/4	3/8	375	2-5/16
4S	2	250 - 350	6 - 350	3-5/8	11-3/4	4-7/8	3-1/2	1/4	200	1-3/4
4U	1 Run / 8 Tap	3/0 - 500	6 - 1/0	4-3/4	11-3/4	5-1/2	3-1/2	5/32	110	2-5/16 (Run); 1-5/32 (Tap)

PENETROX™ inhibitor is recommended for all aluminum wire connections.
For two wire tap range is 8 through 1/0.

* Aluminum and copper conductors cannot be assembled under the same pressure plate or t-bar.

U-BLOK™ MOUNTING PLATFORMS

For Trough Applications



Catalog Number	W	L	H	Gutter Size	Weight Each (lb)
TBPT6	4-1/4	5-7/8	1-1/2	6'	3/4
TBPT8	4-1/4	7-7/8	3-1/2	8"	1-1/4
TBPT10	4-1/4	9-7/8	4	10"	1-1/2
TBPT12	4-1/4	11-7/8	4	12"	1-3/4

Hole pattern shown is for reference only.

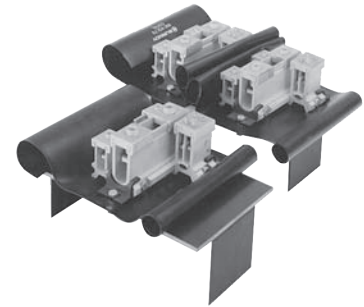
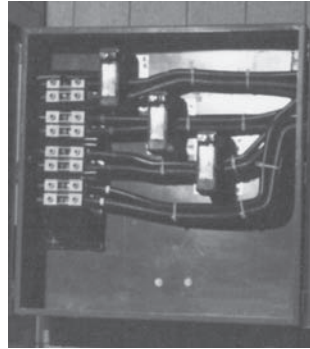
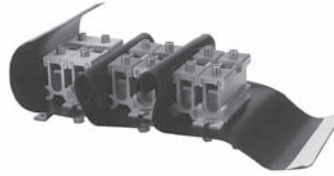
ALLOWABLE AMPACITIES OF INSULATED CONDUCTOR, 60° TO 90° C **

Size AWG kcmil	Copper			Al or Copper Clad Al		
	60 deg. C	75 deg. C	90 deg. C	60 deg. C	75 deg. C	90 deg. C
12	25	25	30	20	20	25
10	30	35	40	25	30	35
8	40	50	55	30	40	45
6	55	65	75	40	50	60
4	70	85	95	55	65	75
3	85	100	110	65	75	85
2	95	115	130	75	90	100
1	110	130	150	85	100	115
1/0	125	150	170	100	120	135
2/0	145	175	195	115	135	150
3/0	165	200	225	130	155	175
4/0	195	230	260	150	180	205
250	215	255	290	170	205	230
300	240	285	320	190	230	255
350	260	310	350	210	250	280
400	280	335	380	225	270	305
500	320	380	430	260	310	350
600	355	420	475	285	340	385
700	385	460	520	310	375	420
750	400	475	535	320	385	435

** NOTE: Values referenced from Article 310 of the National Electric Code, Table 310-16, 1996. The above chart is to be used for REFERENCE ONLY. Please consult Table 310-16 of the National Electric Code (latest revision) for information regarding insulation type, voltage range, and conductor housings/surroundings. U-TAP™, U-BLOK™, and SPEC-BLOK™ connectors are rated for 90 deg. C by Underwriters' Laboratories. Use of 60 deg. C and 75 deg. C conductor(s) is valid, though only as determined by the National Electric Code.

SPEC-BLOK™ POWER DISTRIBUTION CONNECTORS

Unique, modular, made-to-order, power distribution assemblies accommodate any number of supply and load conductors in any number of poles. Capacity matches the conductors accommodated and SPEC-BLOK™ assures uniform loading. Adjacent poles are separated by easy-to handle, wrap-around insulating covers which eliminate taping and reduce heat build-up by allowing air to flow freely around connectors. SPEC-BLOK™ is UL Listed for copper or aluminum conductors for 600 volts. (AL9CU) Assemblies are mounted on platforms suitable for easy installation in wireway or junction box.



Features & Benefits

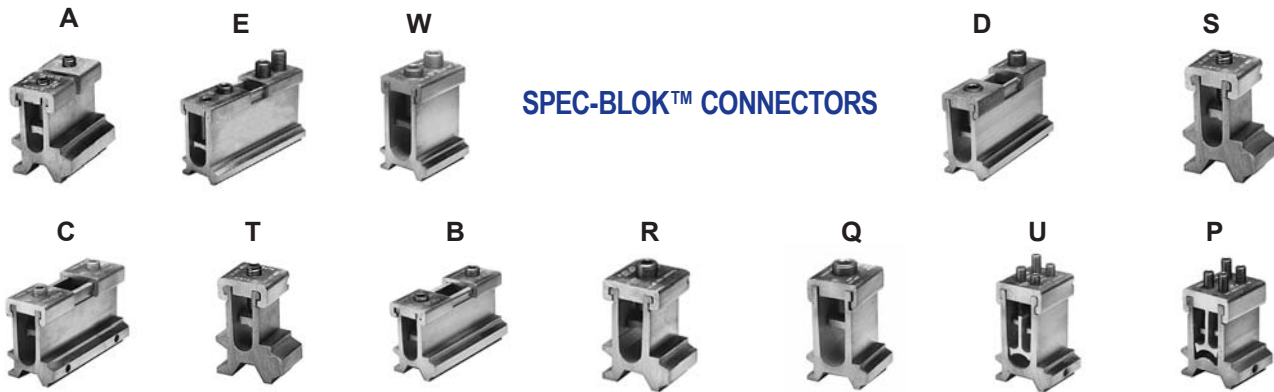
- Accommodate unlimited conductors
 - ◇ Fits wide range of applications.
 - Eliminates need for non-UL-Listed improvisation.
- Connector elements tin-plated
 - ◇ Provides high reliability, low-resistance connections.
- User friendly, space-saving design
 - ◇ Easy to install - saves labor.
- 94-VO rated insulation folds into place insulating the components
 - ◇ Saves time and material. Allows easy installation.
- Connector caps removable for easy cable lay-in
 - ◇ Saves labor. Makes installation easier - allows installation of straight-through conductors.
 - Eases retrofit.
- Belleville washers built-in on pressure screw assemblies, except in assemblies installed with a 5/32" Allen wrench
 - ◇ Provides high-integrity connections.
- Conductors can be cut or fed straight through
 - ◇ Straight through installation ideal for riser applications.

Contact BURNDY® or Technical Services: 1-800-451-4956,
or BURNDY® Customer Service: 1-800-346-4175

SPEC-BLOK™

Features & Benefits

- The SPEC-BLOK™ system includes 12 connector elements
 - ◊ A wide variety of conductor sizes can be accommodated
- Each element can be bolted together in parallel
 - ◊ Provides an efficient flow of current from one element to another
- AL9CU rated for Copper or Aluminum conductors
 - ◊ Dual-rated system, with UL486B's highest temperature rating
- 2 Wire (series), 4 (parallel), and Multi-Tap versions available
 - ◊ Nearly any conductor combination can be terminated
- Tin-plated Aluminum Alloy Construction
 - ◊ High-strength, corrosion-resistant connector elements
- All SPEC-BLOK™ connectors are custom made for nearly any Power Distribution system requirement
 - ◊ Time savings — pre-assembled in our factory for immediate installation!



SPEC-BLOK™ CONNECTORS

Catalog Designation (Maximum Conductor)		Number of Conductors Accommodated		AL or CU Wire Range Under Each Cap		Dimensions				Allen Wrench Size
4 Conductor	2 Conductor	4 Conductor	2 Conductor	First Conductors MUST Be	Second Conductor (if required) May Be	Height On Max Conductors	Width	Length Without Insulator		
								4 Conductor	2 Conductor	
A	Q	1 to 4 (0, 1 or 2 per cap)	1 or 2 per cap	1/0 - 2/0	#12 - 2/0	2-9/16"	1-1/2"	2-1/8"	7/8"	5/32"
(2/0)				3/0 - 250	#6 - 250	3-1/8"	1-11/16"	4-1/4"	1-3/8"	1/4"
B	R			250 - 350	#6 - 350	3-5/16"	1-13/16"	4-5/8"	1-1/2"	
(250)				400 - 500	#6 - 500	4-1/16"	2"	5-5/8"	1-3/4"	3/8"
C	S			600 - 750	3/0 - 750	4-7/8"	2-1/4"	7-1/4"	2-5/8"	
(350)										
D	T									
(500)										
E	W									
(750)										

Catalog Designation (Maximum Conductor)	Number of Conductors Accommodated	Large Groove	Small Grooves**	Height On Maximum Conductors	Width	Length Without Insulator	Allen Wrench Size
P (1/0)	1 to 8 (0, 1 or 2 under each screw)	—	6 - 1/0	3-1/2"	2"	1-3/4"	5/32"
U (1/0 & 500)	2 to 9 (0, 1 or 2 under each screw plus one large conductor)	3/0 - 500	6 - 1/0	4-1/8"	2"		

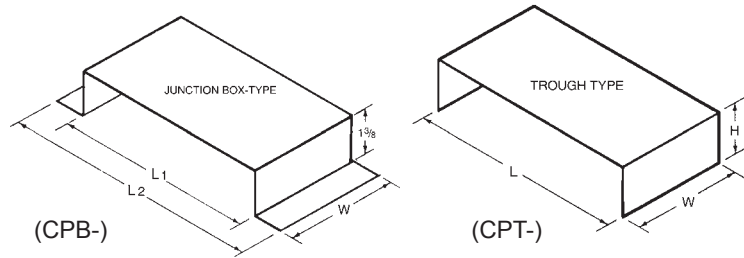
** This range may be expanded to include #8 provided two conductors are being installed in that particular element.

SPEC-BLOK™

MOUNTING PLATFORMS

SPEC-BLOK™ Mounting Platforms are rigid steel construction with a black finish.

They can be supplied for junction box mounting or wireway construction allowing trough conductors to pass underneath the assemblies.



Catalog Number	L (Nominal)	L (Overall)	W (Overall)
CPB6	6	7-3/4	2-1/2
CPB8	8	9-3/4	2-1/2
CPB10	10	11-3/4	2-1/2
CPB12	12	13-3/4	3-1/2
CPB14	14	15-3/4	3-1/2
CPB16-5/8	16-5/8	18-3/8	3-1/2
CPB21-1/4	21-1/4	23	3-1/2

Catalog Number	L (Nominal)	H	W (Overall)
CPT6	5-7/8	2-1/4	2-1/2
CPT8	7-7/8	3	3-1/2
CPT10	9-7/8	3-1/2	3-1/2
CPT12	11-7/8	4	3-1/2
CPT16	15-7/8	4	3-1/2

SPEC-BLOK™ catalog numbers describe exactly how the distribution block is assembled:

- 5 Total number of poles in the completed assembly
- DR One 'D' unit and one 'R' unit, bolted in parallel, forming each phase pole (3 phase poles)
- N Denotes the beginning of the neutral pole (where required)
- DST One 'D' unit, one 'S' unit, and one 'T' unit, bolted in parallel, forming the neutral pole
- G Denotes the beginning of the ground pole description (where required)
- QP One 'Q' unit and one 'P' unit, bolted in parallel, forming the ground pole
- 12 Size (inches) of the wireway or trough that is needed to enclose the assembly. If a junction box enclosure is used, no number is used to denote the size of the enclosure

5DR-NDST-GQP-12 (assembly pictured)



SPEC-BLOK™ IS A SYSTEM THAT CAN SOLVE MOST POWER DISTRIBUTION APPLICATIONS!

Questionnaire

For SPEC-BLOK™ Applications

How many poles in the system? (3-wire, 4-wire, single phase, etc.)? _____ poles

Are neutral conductors (when required) different sizes (AWG/kcmil) than the phase conductors?

_____ same size _____ different size

Is a ground connection required? Yes No

What are the quantities, sizes (AWG/kcmil) and material (Al/Cu) of the incoming line conductors and outgoing load conductors?

		QUANTITY	SIZE	CONDUCTOR TYPE
PER PHASE	LINE			
	LOAD			
NEUTRAL <input type="checkbox"/> Yes <input type="checkbox"/> No	LINE			
	LOAD			
GROUND <input type="checkbox"/> Yes <input type="checkbox"/> No	LINE			
	LOAD			

Are any conductors continuous? Yes No

If yes, which ones? _____

What kind of enclosure is the connection assembly being mounted in and what are the inside space dimensions?

Wireway/trough size _____

Box, panel, cabinet, other size _____

When is a quotation required? Date _____ When is the material required? Date _____

Name of requestor _____ Job name/reference _____

Is there a preference for a particular BURNDY distributor? Yes No

If yes, please give the name, location and telephone number

Name _____ Phone _____

Address _____

Questions? Call BURNDY® Technical Services at 800-451-4956.

TABLE OF CONTENTS

B-1

General Information.....	B-2	Heat Shrink		Heat Shrink - Male	
Military Specification Equivalents.....	B-4	Type YHSA-F.....	B-31	Type YHSQ-M.....	B-68
RING TERMINALS		Heat Shrink - Lock		Heat Shrink - Female	
Bare		Type YHSA-K-LF.....	B-36	Type YHSQ-F.....	B-69
Types T & YAD.....	B-5	Heat Shrink - Block		Heat Shrink - Full - Female	
Types YAD.....	B-6	Type YHSA-K-BF.....	B-41	Type YHSFQ-F.....	B-70
Types YAV-BOX & YAV.....	B-15	SPLICES		Heat Shrink - Male/Female Combo	
Types YAV-L-BOX & YAV-L.....	B-16	Bare		Type PGHS.....	B-71
Bare - Shroud		Type YSV-B.....	B-46	MISCELLANEOUS	
Types YAV-H-BOX & YAV-H.....	B-18	Type YSV.....	B-53	Splice - no tools required	
Bare - Right Angle		Type YSV-L.....	B-54	Type YAIT.....	B-75
Types YAV-R & YAV-RS.....	B-23	Bare - Strain Relief		Tap, Insulation Piercing - no tools required	
Bare - Flag Type		Type YSV-H.....	B-55	Type TTV.....	B-75
Type YBM.....	B-26	Bare - Parallel		Vinyl - 3 Way	
Vinyl		Type YSM.....	B-56	Type YATW-P.....	B-76
Types TP & BA.....	B-8	Type YSCM.....	B-57	Nylon - 3 Way	
Nylon		Vinyl		Type YATW-N.....	B-76
Types TN & YAES.....	B-9	Type SP.....	B-47	Nylon Grip - 3 Way	
Type YAE-G.....	B-10	Nylon		Type YATW-NG.....	B-77
Type YAE-N.....	B-11	Type SN.....	B-48	Heat Shrink - 3 Way	
Types YAEV & YAEV-L.....	B-19	Type SN-B.....	B-49	Type YATW-HS.....	B-77
Nylon - for Expanded Insulation		Nylon - Strain Relief		Vinyl - 4 Way	
Type YAEV-H.....	B-22	Types YSE-BOX & YSE-H-BOX.....	B-50	Type YAFW-P.....	B-78
Nylon - Right Angle		Heat Shrink		Nylon - 4 Way	
Type YAEV-RS.....	B-24	Type YHSS.....	B-59	Type YAFW-N.....	B-78
Type YAEV-RH.....	B-25	Heat Shrink - Strain Relief		Nylon Grip - 4 Way	
Heat Shrink		Type YSE-HHS.....	B-51	Type YAFW-NG.....	B-79
Type YHSA.....	B-12	Radiation Resistant		Heat Shrink - 4 Way	
Radiation Resistant		Types YSES-K.....	B-52	Type YAFW-HS.....	B-79
Type YAES-K.....	B-13	Reducer		Vinyl - Bullet - Male	
FORK TERMINALS		Types YSV & YRV-L.....	B-58	Type BULM-P.....	B-80
Bare		DISCONNECTS		Nylon - Bullet - Male	
Types T-F & YAD-F.....	B-27	Bare - Male		Type BULM-N.....	B-80
Types YAV-T-F-BOX & YAV-T-F.....	B-44	Type Q-M.....	B-60	Nylon Grip - Bullet - Male	
Bare - Lock		Bare - Female		Type BULM-NG.....	B-81
Type T-LF.....	B-32	Type Q-F.....	B-61	Heat Shrink - Bullet - Male	
Bare - Block		Bare - Male/Female Combo		Type BULM-HS.....	B-81
Type T-BF.....	B-37	Type PG.....	B-71	Vinyl - Bullet - Female	
Bare - Shroud		Bare - Flag - Female		Type BULF-P.....	B-82
Types YAV-H-F-BOX, YAV-H-F & YAV-Z.....	B-45	Type FL.....	B-74	Nylon - Bullet - Female	
Vinyl		Vinyl - Male		Type BULF-N.....	B-82
Types TP-F & BA-EF.....	B-28	Type QP-M.....	B-62	Nylon Grip - Bullet - Female	
Vinyl - Lock		Vinyl - Female		Type BULF-NG.....	B-83
Types TP-LF & BA-EL.....	B-33	Type QP-F.....	B-63	Heat Shrink - Bullet - Female	
Vinyl - Block		Vinyl - Full - Female		Type BULF-HS.....	B-83
Type TP-BF.....	B-38	Type FQP-F.....	B-64	Vinyl - Pin Terminal	
Vinyl - Flange		Vinyl - Male/Female Combo		Type PTV.....	B-84
Types TP-Z & BA-EZ.....	B-42	Type PGP.....	B-72	Bare Ferrules	
Nylon		Nylon - Male		Type YF-UI.....	B-85
Types TN-F & YAES-F.....	B-29	Type QN-M.....	B-65	Insulated Ferrules	
Types YAE-N-F-BOX & YAE-N-F.....	B-30	Nylon - Female		Type YF-I.....	B-87
Nylon - Lock		Type QN-F.....	B-66	Twin Insulated Ferrules	
Type TN-LF.....	B-34	Nylon - Full - Male		Type YF-TW.....	B-91
Type YAE-N-LF.....	B-35	Type FQN-M.....	B-67	Small Terminal Kits.....	B-92
Nylon - Block		Nylon - Male/Female Combo		Heat Shrink Kit.....	B-93
Type TN-BF.....	B-39	Type PGN.....	B-73	Pigtail Splice	
Type YAE-N-BF.....	B-40	Nylon - Flag - Female		Types YQE & RK.....	B-94
Nylon - Flange		Type FLN.....	B-74		
Types YAE-Z-BOX & YAE-Z.....	B-43				

Performance

B-2

The terminals and splices in this catalog are approved, per SAE-AS7928 and/or UL486, where indicated. Table 1 shows the performance requirements for terminals used in military and commercial equipment. The voltage drops listed are maximum allowable values taken at currents well above rated current for the wires. Tensile values assure that the wires will not become separated from the terminals under reasonably expected stresses. UL tensile values are chosen to reflect the severest expected duty. MIL Specification tensile values apply only to crimp terminations and reflect minimum values that are obtained in good crimp joints. Actual performance of BURNDY terminals exceeds the requirements of Table 1. Typical values are shown in Figures 1-5. For High Temperature applications BURNDY® YAV series with nickel plating “-NK” suffix provide for continuous operation to 650° F and 750° F intermittent service.

Table 1

Performance Requirements — Terminals for Copper Wire					
Wire Size	Per SAE-AS7928			Per UL486	
	Test Current (Amps)	Maximum Voltage Drop (Mv.)	Minimum Tensile Strength (Lbs.)	Minimum Tensile Strength (Lbs.)	Test Current For Max. 50°C Rise (Amps)
26	3	8	7	—	—
24	4.5	8	10	—	—
22	9	7	15	8	—
20	11	6	19	13	—
18	16	5	38	20	—
16	22	7	50	30	—
14	32	6	70	50	15
12	41	5	110	70	20
10	55	5	150	80	30
8	73	5	225	90	50
6	101	5	300	100	65
4	135	5	400	140	85
2	181	5	550	180	115
1	211	5	650	200	130
0	245	5	700	250	150
00	283	5	750	300	175
000	320	5	825	350	200
0000	380	5	875	450	230

Fig. 1. Tensile strength of YAD HYLUG™ after axial rotation stresses.

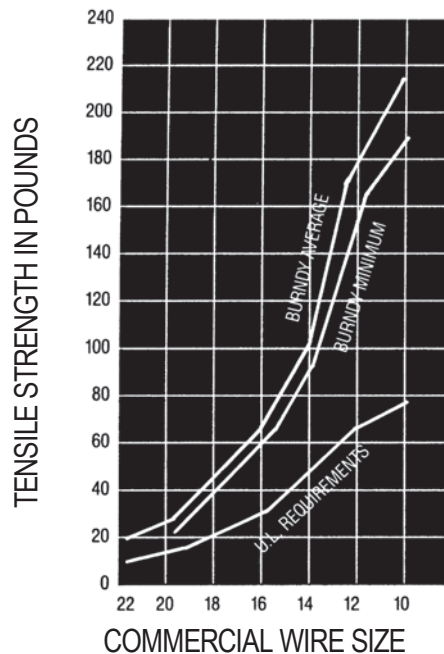


Fig. 2. Tensile strength of BA VINYLUG™ after axial rotation stresses.

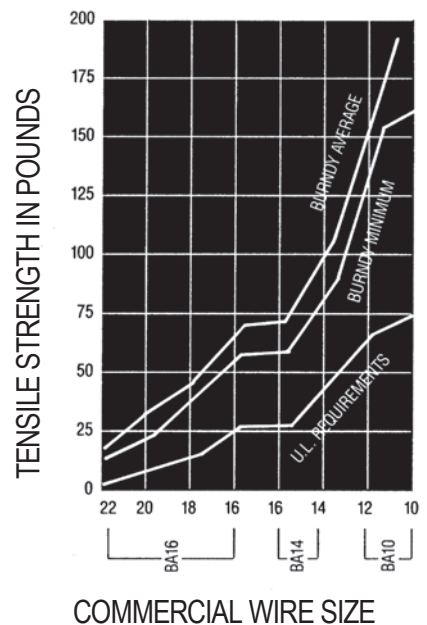


Fig. 3. Tensile strength of YAES INSULUG™ after vibration.

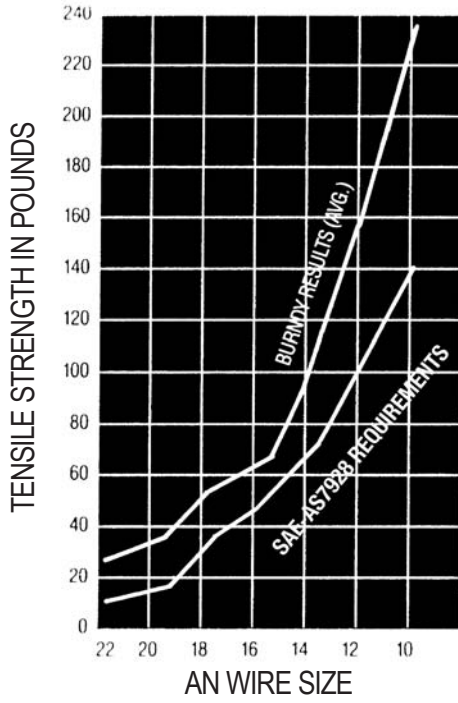


Fig. 5. Voltage drops of YAES at currents per Table 1 after vibration.

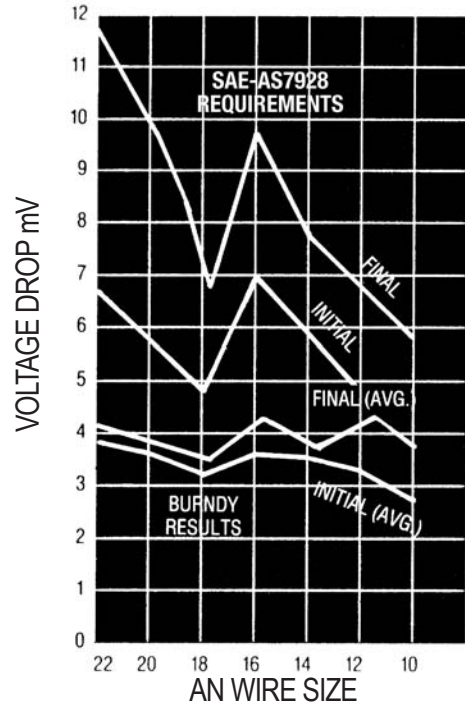
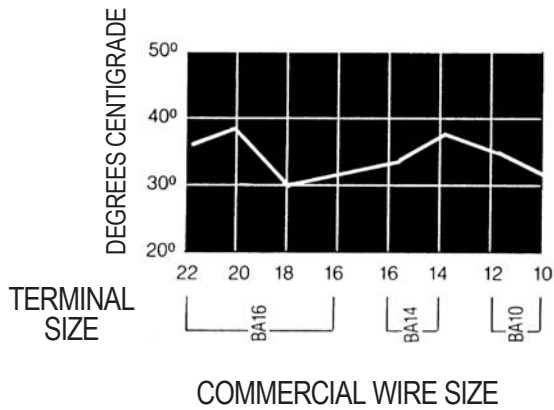


Fig. 4. Temperature rise of BA VINYLUG™ at currents per Table 1.



EQUIVALENT TABLES

B-4

MILITARY SPECIFICATIONS

Terminals

BURNDY® Equivalents to SAE-AS25036 in accordance with Specification SAE-AS7928.

Terminals

BURNDY® Equivalents to SAE-AS20659 in accordance with Specification SAE-AS7928.

AS25036 Dash No.	Catalog Number	Class 1	Class 2	AS25036 Dash No.	Catalog Number	Class 1	Class 2	AS20659 Dash No.	Catalog Number	Class 1	Class 2	AS20659 Dash No.	Catalog Number	Class 1	Class 2
101	YAES18-N1	X	X	124	YAEV4C-L4	X		105	YAV10	X	X	134	YAV1C-L3	X	
	YAE18-G43		X	125	YAEV4C-L2	X	X	106	YAV10-T2	X	X	135	YAV25-L3	X	
102	YAES18-N2	X	X	126	YAEV2C-L1	X	X	107	YAV8C-L	X		136	YAV26-L3	X	X
	YAE18-N21		X	127	YAEV2C-L	X		108	YAV8C-L2	X		137	YAV28-L54	X	
103	YAES18-N3	X	X	128	YAEV2C-L4	X	X	109	YAV6C-L	X	X	140	YAV8C-L14	X	
	YAE18N		X	129	YAEV1C-L1	X		110	YAV6C-L2	X		141	YAV8C-L1	X	X
104	YAES18-N4	X	X	130	YAEV1C-L	X	X	111	YAV4C-L	X	X	142	YAV8C-L4	X	
	YAE18-N3		X	131	YAEV1C-L3	X		112	YAV4C-L2	X		143	YAV6C-L10	X	
105	YAES18-N5	X	X	132	YAEV25-L1	X		113	YAV2C-L1	X		144	YAV4C-L3	X	
	YAE18-N15		X	133	YAEV25-L	X	X	114	YAV2C-L	X		145	YAV4C-L5	X	
106	YAES14-N6	X	X	134	YAEV25-L3	X		115	YAV1C-L1	X	X	146	YAV2C-L3	X	
	YAE14-N43		X	135	YAEV26-L2	X		116	YAV1C-L	X		147	YAV2C-L2	X	X
107	YAES14-N7	X	X	136	YAEV26-L	X		117	YAV25-L1	X		148	YAV2C-L11	X	
108	YAES14-N8	X	X	137	YAEV26-L3	X		118	YAV25-L	X	X	149	YAV1C-L2	X	
	YAES14N		X	143	YAE22-G18		X	119	YAV26-L2	X		150	YAV1C-L4	X	
109	YAES14-N9	X	X	144	YAE22-G16		X	120	YAV26-L	X		151	YAV25-L2	X	
	YAE14-N3		X	145	YAE22-G13		X	121	YAV27-L	X	X	152	YAV25-L16	X	
110	YAES14-N10	X		146	YAE22-G14		X	122	YAV27-L1	X		153	YAV26-L1	X	
	YAE14-N4		X	147	YAE22-G15		X	123	YAV28-L	X		154	YAV26-L16	X	
111	YAES10-N11	X	X	148	YAES18-N48	X	X	124	YAV28-L12	X	X	155	YAV27-L20	X	
	YAE10-N5		X		YAE18-N17		X	128	YAV10-T4	X	X	156	YAV27-L18	X	
112	YAES10-N12	X	X	149	YAES18-N49	X	X	129	YAV8C-L3	X		157	YAV28-L56	X	
	YAE10N		X		YAE18N1		X	130	YAV6C-L1	X		158	YAV28-L60	X	
113	YAES10-N13	X	X	150	YAES18-N50	X	X	131	YAV6C-L4	X		159	YAV28-L13	X	
	YAE10-N2		X		YAE18-N2		X	132	YAV4C-L4	X		160	YAV28-L14	X	
114	YAES10-N14	X		152	YAES14-N52	X	X	133	YAV2C-L4	X		165	YAV10-T7	X	X
	YAE10-N4		X		YAES14-N53	X	X								
115	YAEV8C-L	X	X	153	YAE14-N1		X	<p>Main Office Cage Code Number: 1NJK8</p> <p>Notes: For factory cage code numbers, please contact your local BURNDY® sales representative or the Headquarters at the phone number shown below. SAE stands for the Society of Automotive Engineering, which has replaced the Military Specifications.</p>							
116	YAEV8C-L1	X			154	YAES14-N54	X								
117	YAEV8C-L2	X		YAE14-N2			X								
118	YAEV8C-L3	X		155	YAES14-N55	X	X								
119	YAEV6C-L1M	X	X	156	YAES10-N56	X	X								
120	YAEV6C-LM	X			YAE10-N11		X								
121	YAEV6C-L4M	X		157	YAES10-N57	X	X								
122	YAEV6C-L2M	X			YAE10-N3		X								
123	YAEV4C-L	X		158	YAES10-N58	X	X								

TYPES T AND YAD

HYLUG™

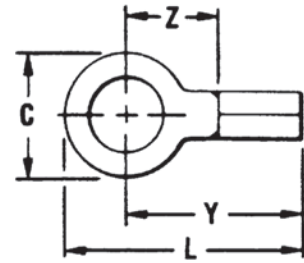
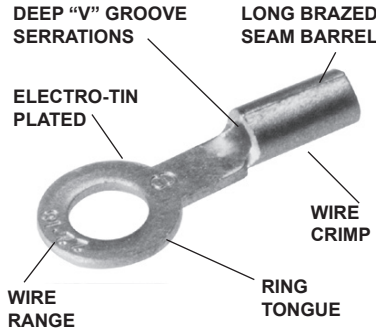
Uninsulated Compression Ring Tongue Terminal

The Type T uninsulated terminals are constructed of pure electrolytic copper. Designed with a long brazed seam barrel, standard neck, deep V groove inner serrations and electro-tin plated. The terminals are ideal for control wiring and other standard duty applications.

The ring tongue provides a secure termination under the screw head that cannot be removed without the complete removal of the screw. Two or more terminals can easily be stacked on a common stud.



NOTE: Field bending straight lugs to achieve an angular connection will void UL Listing / CSA Certifications and BURNDY will not be liable for the connection.



Features & Benefits

- Constructed of pure electrolytic copper
 - ◇ Provides maximum conductivity, low resistance and ductility for excellent crimp forming properties
- Long brazed seam barrel and deep V groove inner serrations
 - ◇ Provides optimum conductivity reliability and holding power after crimping
- Electro-tin plated
 - ◇ Provides durable long-lasting corrosion resistance
- Wire range is clearly marked on terminal
 - ◇ Provides easy identification
- Inspection hole
 - ◇ Provides an easy visual check of wire insertion
- Long neck terminal
 - ◇ Permits easy bending and stacking of several terminals on a common stud

Catalog Number	Wire Range (AWG/kcmil)	Stud Size	Dimensions				Bulk Catalog Number	Installation Tooling	Tape Mounted Catalog Number 2000/Reel	Installation Tooling	Wire Strip Length
			C	L Max.	Y Max.	Z Min.					
T18-4	22 AWG-18 AWG	#3 - #4	0.25	0.65	0.53	0.24	YAD18-4	YAD18-4M	TFM with DFM6D1 Die	9/32"	
T18-6		#4 - #6	0.25	0.65	0.53	0.24	YAD18-6				
T18-8		#6 - #8	0.31	0.77	0.61	0.33	YAD18-8				
T18-10		#8 - #10	0.31	0.77	0.61	0.33	YAD18-10				
T18-14		1/4	0.45	0.96	0.73	0.44	YAD18-14				
T18-516		5/16	0.45	0.96	0.73	0.44	YAD18-516				
T18-38		3/8	0.53	1.05	0.78	0.49	YAD18-38				
T14-4	20 AWG-14 AWG	#3 - #4	0.25	0.67	0.55	0.26	YAD14-4	YAD14-6M	TFM with DFM5D1 Die	9/32"	
T14-6		#4 - #6	0.25	0.67	0.55	0.26	YAD14-6				
T14-8		#6 - #8	0.31	0.77	0.61	0.33	YAD14-8				
T14-10		#8 - #10	0.31	0.77	0.61	0.33	YAD14-10				
T14-14		1/4	0.45	0.96	0.73	0.44	YAD14-14				
T14-516		5/16	0.45	0.96	0.73	0.44	YAD14-516				
T14-38		3/8	0.53	1.05	0.78	0.49	YAD14-38			11/32"	
T10-6	12 AWG-10 AWG	#4 - #6	0.37	0.83	0.64	0.29	YAD10-6	YAD10-8M	TFM with DFM4D1 Die	11/32"	
T10-8		#6 - #8	0.37	0.83	0.64	0.29	YAD10-8				
T10-10		#8 - #10	0.38	0.83	0.64	0.29	YAD10-10				
T10-14		1/4	0.46	0.97	0.74	0.39	YAD10-14				
T10-516		5/16	0.53	1.02	0.76	0.41	YAD10-516				
T10-38		3/8	0.58	1.08	0.79	0.44	YAD10-38				
T10-12*		1/2	0.69	1.21	0.86	0.61	—			—	—

* Not UL Listed or CSA Certified.

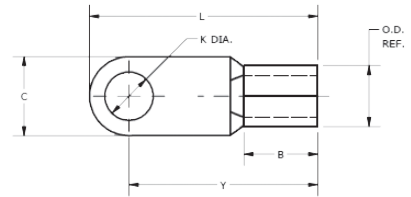
TYPE YAD

B-6

HYLUG™

Uninsulated Compression Terminal

The YAD uninsulated OEM lug terminal is constructed of electrolytic copper. Designed with a brazed seam barrel, standard neck, V-groove inner serrations and electro-tin plated. The round ring tongue provides for a secure termination under the screw head that cannot be removed without the complete removal of the screw. Two or more terminals can easily be stacked on a common stud. These terminals are ideal for use with code or flex cable.



Features & Benefits

- Terminals utilize a brazed seam
- Provide excellent high conductivity connections
- Electro-tin plated for durable long lasting corrosion resistance

- Vibration resistance and tensile strength is well within the limits of commercial specifications

NOTE: Field bending straight lugs to achieve an angular connection will void UL Listing / CSA Certifications and BURNDY will not be liable for the connection.

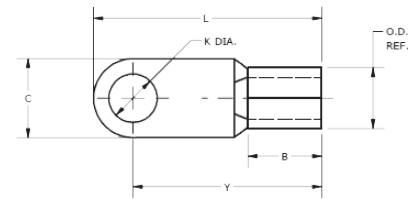
Catalog Number	Wire Range Copper Code & Flex [mm]	Stud Size	B	C	K Dia.	L	OD	T	Y	Installation Tooling				Wire Strip Length
										Mechanical Tooling	Hydraulic Tooling (requires nest & indentor)		Dieless Tooling (no dies required)	
											Tool	Die Nest		
YAD8CM4E8	8 AWG [6-10]	#8	0.31	0.40	0.17	0.83	0.26	0.04	0.63	Y1MRTC Y8MRB-1 Red Groove	Y35, Y39, Y750, PAT750	UV8L	Y34PL	3/8"
YAD8CM5E10		#10	0.31	0.40	0.21	0.83	0.26	0.04	0.63					
YAD8CM6E14		1/4	0.31	0.43	0.26	0.89	0.26	0.04	0.67					
YAD8CM8E516		5/16	0.31	0.55	0.33	1.06	0.26	0.04	0.79					
YAD8CM10E38		3/8	0.31	0.71	0.41	1.18	0.26	0.04	0.83					
YAD8CM12E12		1/2	0.31	0.87	0.51	1.34	0.26	0.04	0.91					
YAD8CM16E58		5/8	0.31	1.10	0.67	1.93	0.26	0.04	1.38					
YAD6CM5E10	6 AWG [10-16]	#10	0.40	0.43	0.21	1.00	0.32	0.05	0.79	Y1MRTC Blue Groove	Y35, Y39, Y750, PAT750	UV6L	Y34PL	7/16"
YAD6CM6E14		1/4	0.40	0.43	0.26	1.00	0.32	0.05	0.79					
YAD6CM8E516		5/16	0.40	0.55	0.33	1.14	0.32	0.05	0.87					
YAD6CM10E38		3/8	0.40	0.71	0.41	1.30	0.32	0.05	0.95					
YAD6CM12E12		1/2	0.40	0.87	0.51	1.46	0.32	0.05	1.02					
YAD4CM5E10	4 AWG [16-25]	#10	0.43	0.47	0.21	1.22	0.41	0.06	0.98	—	Y35, Y39, Y750, PAT750	U2CD1	Y34PR	Y81KFT Series PAT81KFT Series Y4PC834 Series PAT4PC834 Series
YAD4CM6E14		1/4	0.43	0.47	0.26	1.22	0.41	0.06	0.98					
YAD4CM8E516		5/16	0.43	0.63	0.33	1.30	0.41	0.06	0.98					
YAD4CM10E38		3/8	0.43	0.71	0.41	1.38	0.41	0.06	1.02					
YAD4CM12E12		1/2	0.43	0.87	0.51	1.65	0.41	0.06	1.22					
YAD4CM16E58		5/8	0.43	1.10	0.67	1.93	0.41	0.06	1.38					
YAD4CM20E34		3/4	0.43	1.10	0.80	1.93	0.41	0.06	1.38					
YAD2CM6E14	2 AWG [25-35]	1/4	0.47	0.59	0.26	1.32	0.48	0.06	1.02	—	Y35, Y39, Y750, PAT750	U1CD1	Y34PR	17/32"
YAD2CM8E516		5/16	0.47	0.63	0.33	1.34	0.48	0.06	1.02					
YAD2CM10E38		3/8	0.47	0.71	0.41	1.42	0.48	0.06	1.06					
YAD2CM12E12		1/2	0.47	0.87	0.51	1.65	0.48	0.06	1.22					
YAD2CM16E58		5/8	0.47	1.10	0.67	1.97	0.48	0.06	1.42					
YAD2CM20E34		3/4	0.47	1.10	0.80	1.97	0.48	0.06	1.42					
YAD1CM6E14	1 AWG [35-50]	1/4	0.63	0.71	0.26	1.69	0.57	0.07	1.34	—	Y35, Y39, Y750, PAT750	UV26L	Y34PA	3/4"
YAD1CM8E516		5/16	0.63	0.71	0.33	1.69	0.57	0.07	1.34					
YAD1CM10E38		3/8	0.63	0.71	0.41	1.69	0.57	0.07	1.34					
YAD1CM12E12		1/2	0.63	0.87	0.51	1.85	0.57	0.07	1.42					
YAD1CM16E58		5/8	0.63	1.10	0.67	2.13	0.57	0.07	1.57					
YAD1CM20E34		3/4	0.63	1.10	0.80	2.13	0.57	0.07	1.57					
YAD25M6E14	1/0 AWG [35-50]	1/4	0.63	0.71	0.26	1.69	0.57	0.07	1.34	—	Y35, Y39, Y750, PAT750	UV26L	Y34PA	3/4"
YAD25M8E516		5/16	0.63	0.71	0.33	1.69	0.57	0.07	1.34					
YAD25M10E38		3/8	0.63	0.71	0.41	1.69	0.57	0.07	1.34					
YAD25M12E12		1/2	0.63	0.87	0.51	1.85	0.57	0.07	1.42					
YAD25M16E58		5/8	0.63	1.10	0.67	2.13	0.57	0.07	1.57					
YAD25M20E34		3/4	0.63	1.10	0.80	2.13	0.57	0.07	1.57					

TYPE YAD

(Continued)

HYLUG™

Uninsulated Compression Terminal



B-7

NOTE: Field bending straight lugs to achieve an angular connection will void UL Listing / CSA Certifications and BURNDY will not be liable for the connection.

Catalog Number	Wire Range Copper Code & Flex [mm]	Stud Size	B	C	K Dia.	L	OD	T	Y	Installation Tooling			Wire Strip Length	
										Hydraulic Tooling (requires nest & indenter)				Dieless Tooling (no dies required)
										Tool	Die Nest	Indenter		
YAD26M6E14	2/0 AWG [50-70]	1/4	0.71	0.87	0.26	1.93	0.67	0.08	1.50	Y35, Y39, Y750, PAT750	U28D1	Y34PR2	13/16"	
YAD26M8E516		5/16	0.71	0.87	0.33	1.93	0.67	0.08	1.50					
YAD26M10E38		3/8	0.71	0.87	0.41	1.93	0.67	0.08	1.50					
YAD26M12E12		1/2	0.71	0.87	0.51	1.93	0.67	0.08	1.50					
YAD26M16E58		5/8	0.71	1.10	0.67	2.20	0.67	0.08	1.65					
YAD26M20E34		3/4	0.71	1.10	0.80	2.20	0.67	0.08	1.65					
YAD27M8E516	3/0 AWG [70-95]	5/16	0.79	0.95	0.33	2.13	0.79	0.10	1.65	Y35, Y39, Y750, PAT750	U29D1	Y34PR2	7/8"	
YAD27M10E38		3/8	0.79	0.95	0.41	2.13	0.79	0.10	1.65					
YAD27M12E12		1/2	0.79	0.95	0.51	2.13	0.79	0.10	1.65					
YAD27M16E58		5/8	0.79	1.10	0.67	2.28	0.79	0.10	1.73					
YAD27M20E34		3/4	0.79	1.10	0.80	2.28	0.79	0.10	1.73					
YAD28M6E14	4/0 AWG [95-120]	1/4	0.87	0.95	0.26	2.20	0.89	0.12	1.73	Y35, Y39, Y750, PAT750	U32D1	Y34PR2	Y81KFT Series PAT81KFT Series Y4PC834 Series PAT4PC834 Series	
YAD28M8E516		5/16	0.87	0.95	0.33	2.20	0.89	0.12	1.73					
YAD28M10E38		3/8	0.87	0.95	0.41	2.20	0.89	0.12	1.73					
YAD28M12E12		1/2	0.87	0.95	0.51	2.20	0.89	0.12	1.73					
YAD28M16E58		5/8	0.87	1.10	0.67	2.44	0.89	0.12	1.89					
YAD28M20E34		3/4	0.87	1.10	0.80	2.44	0.89	0.12	1.89					
YAD30M10E38	250-300 kcmil [120-150]	3/8	0.95	1.18	0.41	2.56	1.00	0.13	1.97	Y46, PAT46	P34D	P48PR2	1-1/8"	
YAD30M12E12		1/2	0.95	1.18	0.51	2.56	1.00	0.13	1.97					
YAD30M16E58		5/8	0.95	1.18	0.67	2.56	1.00	0.13	1.97					
YAD30M20E34		3/4	0.95	1.18	0.80	2.56	1.00	0.13	1.97					
YAD31M10E38	300-350 kcmil [150-185]	3/8	1.10	1.42	0.41	2.68	1.12	0.14	1.97	Y46, PAT46	P34D	P48PR2	1-1/4"	
YAD31M12E12		1/2	1.10	1.42	0.51	2.68	1.12	0.14	1.97					
YAD31M16E58		5/8	1.10	1.42	0.67	2.68	1.12	0.14	1.97					
YAD31M20E34		3/4	1.10	1.42	0.80	2.68	1.12	0.14	1.97					
YAD33M10E38	400-450 kcmil [185-240]	3/8	1.26	1.50	0.41	2.95	1.24	0.16	2.20	Y46, PAT46	P36D	P48PR2	1-3/8"	
YAD33M12E12		1/2	1.26	1.50	0.51	2.95	1.24	0.16	2.20					
YAD33M16E58		5/8	1.26	1.50	0.67	2.95	1.24	0.16	2.20					
YAD33M20E34		3/4	1.26	1.50	0.80	2.95	1.24	0.16	2.20					
YAD36M10E38	500-600 kcmil [240-300]	3/8	1.38	1.97	0.41	3.70	1.44	0.18	2.72	Y46, PAT46	P44D	P48PR2	1-1/2"	
YAD36M12E12		1/2	1.38	1.97	0.51	3.70	1.44	0.18	2.72					
YAD36M16E58		5/8	1.38	1.97	0.67	3.70	1.44	0.18	2.72					
YAD36M20E34		3/4	1.38	1.97	0.80	3.70	1.44	0.18	2.72					

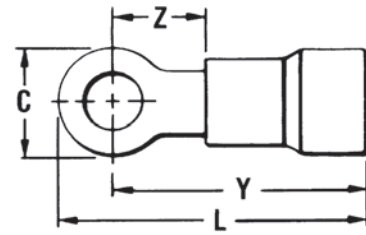
TYPES TP AND BA

B-8

VINYLUG™

Terminal — Polyvinylchloride Insulated, Ring Tongue

600 Volts Max., 105° C Max.



VINYLUG™ Type TP is designed for commercial and light duty industrial control and power circuit applications. Supplied with an expanded polyvinyl chloride (PVC) insulation shroud, many tongue variations and rated 600V makes TP terminals versatile and economical.



NOTE: Field bending straight lugs to achieve an angular connection will void UL Listing / CSA Certifications and BURNDY will not be liable for the connection.

Features & Benefits

- Expanded insulation support accepts standard and large wire diameters
 - ◇ Lowers inventory requirements, permits greater flexibility and provides insulation support
- Funnel entry
 - ◇ Easy wire insertion
- Manufactured of pure electrolytic copper
 - ◇ Provides maximum conductivity, low resistance and ductility for excellent crimp forming properties
- Deep V groove serrations in the inner barrel
 - ◇ Provides added holding strength and better conductivity
- Electro-tin plated
 - ◇ Provides durable long-lasting corrosion resistance

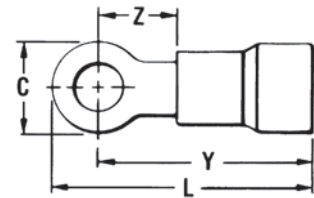
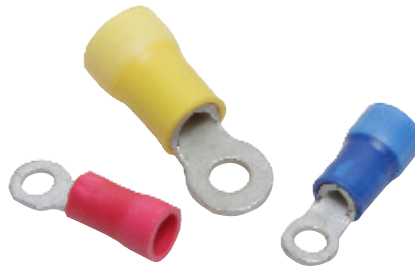
Catalog Number	Wire Range (AWG/kcmil)	Stud Size	Dimensions				Bulk Catalog Number	Installation Tooling	Tape Mounted Catalog Number 2000/Reel	Installation Tooling	Wire Strip Length		
			C	L	Y	Z							
TP16-4	22-16 Max. Insul. Dia. Accom.: 145 Color Code: Red	#3-#4	0.22	0.71	0.61	0.17	BA16E4	Plier Type: Y10-22, Y10D or Ratchet Tool: MR8-89-1, MR8-G96, MR15 MRE1022NV	BA16E4M	TFM with DFM3D-1 Die	13/64"		
TP16-6		#6	0.25	0.74	0.62	0.18	BA16E6		BA16E6M				
TP16-8		#6 - #8	0.31	0.85	0.70	0.26	BA16E8		BA16E8M				
TP16-10		#8 - #10	0.31	0.85	0.70	0.26	BA16E10		BA16E10M				
TP16-14		1/4	0.40	0.99	0.79	0.36	BA16E14		BA16E14M				
TP16-516*		5/16	0.47	1.11	0.88	0.41	—		—				
TP16-38		3/8	0.53	1.15	0.88	0.45	BA16E38		BA16E38M			TFM with DFM3D-1 Die	13/64"
TP14-4	16-14 Max. Insul. Dia. Accom.: 180 Color Code: Blue	#4	0.22	0.11	0.61	0.17	BA14E4	Plier Type: Y10-22, Y10D or Ratchet Tool: MR8-89-1, MR8-G96, MR15 MRE1022NV	BA14E4M	TFM with DFM2D-1 Die	13/64"		
TP14-6		#6	0.25	0.74	0.62	0.18	BA14E6		BA14E6M				
TP14-8		#6 - #8	0.31	0.85	0.70	0.26	BA14E8		BA14E8M				
TP14-10		#8 - #10	0.31	0.85	0.70	0.26	BA14E10		BA14E10M				
TP14-14		1/4	0.40	0.99	0.79	0.36	BA14E14		BA14E14M				
TP14-516		5/16	0.53	1.15	0.88	0.45	BA14E516		BA14E516M				
TP14-38		3/8	0.53	1.15	0.88	0.45	BA14E38		—				
TP10-6	12-10 Max. Insul. Dia. Accom.: 260 Color Code: Yellow	#6	0.31	0.68	0.75	0.20	BA10E6	Plier Type: Y10-22, Y10D or Ratchet: MR8-89-1, MR15, M8ND w/N10HET-23 MRE1022NV	BA10E6M	TFM with DFM1D5 Die	19/64"		
TP10-8		#6 - #8	0.36	1.00	0.81	0.26	BA10E8		BA10E8M				
TP10-10		#8 - #10	0.36	1.00	0.81	0.26	BA10E10		BA10E10M				
TP10-14		1/4	0.53	1.22	0.95	0.40	BA10E14		BA10E14M				
TP10-516		5/16	0.53	1.22	0.95	0.42	BA10E516		—				
TP10-38		3/8	0.53	1.27	1.00	0.45	BA10E38		BA10E38M			TFM with DFM1D5 Die	19/64"
TP10-12*		1/2	0.69	1.51	1.17	0.61	—		—			—	19/64"

* Not UL Listed or CSA Certified.

TYPES TN AND YAES

INSULUG™

Terminal - Nylon Insulated,
Ring Tongue
600 Volts Max., 105° C Max.



B-9

INSULUG™ type TN Nylon-insulated terminals are designed for heavy duty industrial, utility and military power and control-circuit applications for wire sizes 26 AWG through 10 AWG. They offer high dielectric strength and stability in oily conditions and meet military CLASS 1 and CLASS 2 requirements per SAE-AS25036 and the requirements of military specifications SAE-AS7928.



NOTE: Field bending straight lugs to achieve an angular connection will void UL Listing / CSA Certifications and BURNDY will not be liable for the connection.

Features & Benefits

- An integral one-piece copper barrel / insulation grip and wire strain relief design
 - ◊ Provides improved physical strength characteristics over a multi-piece design
- Manufactured of pure electrolytic copper
 - ◊ Provides maximum conductivity, low resistance and ductility for excellent crimp forming properties
- Brazed seam
 - ◊ Provides a stronger barrel design to minimize any possible splitting and eliminates folding
- Deep inner barrel serrations
 - ◊ Provides excellent electrical conductivity and pullout strength values

- Smooth funnel entry
 - ◊ Easy wire insertion
- The insulation is locked in place
 - ◊ Will not twist off, thereby maintains proper dielectric values
- Electro-tin plated
 - ◊ Provides durable long-lasting resistance to corrosion
- Color-coded and clearly marked
 - ◊ Provides quick, easy wire size identification
- Ring Tongue
 - ◊ Provides a secure termination under the screw head that can not be removed without complete removal of the screw
- Two or more terminals may be stacked on a common stud easily
 - ◊ Provides flexibility and versatility

Catalog Number	Wire Range (AWG/kcmil)	Stud Size	SAE-25036	Dimensions				Bulk Catalog Number	Installation Tooling	Wire Strip Length
				C	L Max.	Y Max.	Z Max.			
TN18-4	22-18 Max. Insul. Dia. Accom.: .120 Color Code: Red	#3 - #4	-148	0.23	0.76	0.64	0.20	YAES18N48	Ratchet: MR8-83 MRE1022NV Non-Ratchet: Y10D, Y1022	7/32
TN18-6		#4 - #6	-101	0.25	0.76	0.64	0.20	YAES18N1		
TN18-6G1*		#4 - #6	-102	0.25	0.87	0.74	0.49	YAES18N2		
TN18-8		#6 - #8	-149	0.31	0.91	0.76	0.29	YAES18N49		
TN18-10		#8 - #10	-103	0.31	0.91	0.76	0.29	YAES18N3		
TN18-14		#12-1/4	-150	0.46	1.09	0.87	0.41	YAES18N50		
TN18-516		5/16	-104	0.46	1.09	0.87	0.41	YAES18N4		
TN18-38		3/8	-105	0.53	1.17	0.91	0.45	YAES18N5		
TN14-4	16-14 Max. Insul. Dia. Accom.: .153 Color Code: Blue	#3 - #4	-152	0.25	0.79	0.67	0.24	YAES14N52	Ratchet: MR8-83 MRE1022NV Non-Ratchet: Y10D, Y1022	7/32
TN14-6		#4 - #6	-106	0.25	0.79	0.67	0.24	YAES14N6		
TN14-6G1*		#4 - #6	-107	0.30	0.91	0.76	0.51	YAES14N7		
TN14-8		#6 - #8	-153	0.31	0.89	0.74	0.31	YAES14N53		
TN14-10		#8 - #10	-108	0.31	0.89	0.74	0.31	YAES14N8		
TN14-14		#12-1/4	-154	0.45	1.08	0.86	0.43	YAES14N54		
TN14-516		5/16	-109	0.45	1.08	0.86	0.43	YAES14N9		
TN14-38		3/8	-110	0.53	1.16	0.90	0.47	YAES14N10		
TN10-6	12-10 Max. Insul. Dia. Accom.: .210 Color Code: Yellow	#4 - #6	-111	0.37	1.12	0.94	0.26	YAES10N11	Ratchet: MR8-83 MRE1022NV Non-Ratchet: Y10D, Y1022	11/32
TN10-8		#6 - #8	-156	0.37	1.12	0.94	0.26	YAES10N56		
TN10-10		#8 - #10	-112	0.37	1.12	0.94	0.26	YAES10N12		
TN10-14		#12-1/4	-157	0.53	1.32	1.06	0.37	YAES10N57		
TN10-516		5/16	-113	0.53	1.32	1.06	0.37	YAES10N13		
TN10-38		3/8	-114	0.58	1.34	1.05	0.40	YAES10N14		
TN10-12*		1/2	—	0.69	1.51	1.18	0.61	YAES10N58		

* Not UL Listed or CSA Certified.

TYPES YAE-G

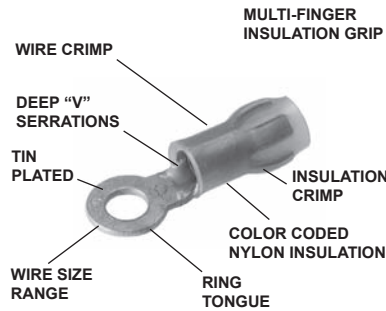
B-10

INSULUG™

Terminal — Nylon Insulated, Ring-Tongue Multi-Finger Insulation Grip

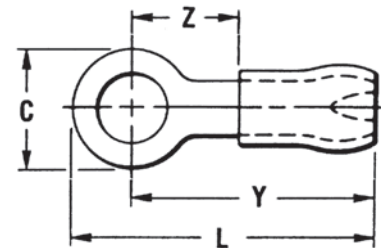
300 Volts Max., 105° C Max.

INSULUG™ Types YAE-G and YAE-N nylon insulated terminals are designed with a multi-finger insulation grip for paper, EPR and other elastic or hard to grip insulations. The metal fingers firmly grip the insulation providing superior holding characteristics, cable support and strain relief. Types YAE-G and YAE-N terminals are rated 105° C and meet military standard AS25036 Class 2 and SAE-AS7928 requirements.



Features & Benefits

- Multi-finger insulation grip
 - ◊ Provides superior insulation holding characteristics, especially on EPR and other elastic-type insulations
- Brazed seam
 - ◊ Provides stronger more durable termination
- Manufactured of pure electrolytic copper
 - ◊ Provides maximum conductivity, low resistance and ductility for excellent crimp forming properties
- Deep V groove, inner barrel serrations
 - ◊ Provide optimum conductivity, reliability, and holding power
- Smooth funnel entry
 - ◊ Easy wire insertion



NOTE: Field bending straight lugs to achieve an angular connection will void UL Listing / CSA Certifications and BURNDY will not be liable for the connection.

Catalog Number	Wire Range (AWG/kcmil)	Stud Size	** SAE-AS25036-	Dimensions				Bulk Catalog Number	Installation Tooling	Tape Mounted Catalog Number 2000/Reel	Installation Tooling	Wire Strip Length
				C	L Max.	Y Max.	Z Max.					
YAE22G18BOX	26-20 Max. Insul. Dia. Accom.: .098 Color Code: Amber	#2	148	0.15	0.69	0.62	0.22	YAE22G18	M8ND with N14HET-25V1 Die MR8-1A	YAE22G18M	TFM with DFM11D1 Die	5/32"
YAE22G12BOX		#1 - #2	—	0.25	0.74	0.62	0.22	YAE22G12		—		
YAE22G16BOX		#4	144	0.18	0.75	0.62	0.22	YAE22G16		YAE22G16M		
YAE22G13BOX		#4 - #6	145	0.25	0.74	0.62	0.22	YAE22G13		YAE22G13M		
YAE22G14BOX		#6 - #8	146	0.32	0.82	0.67	0.27	YAE22G14		—		
YAE22G15BOX		#8 - #10	147	0.32	0.83	0.67	0.27	YAE22G15		—		

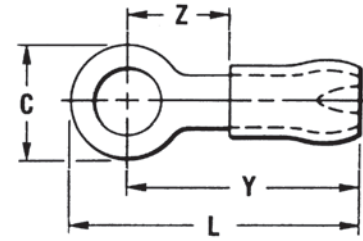
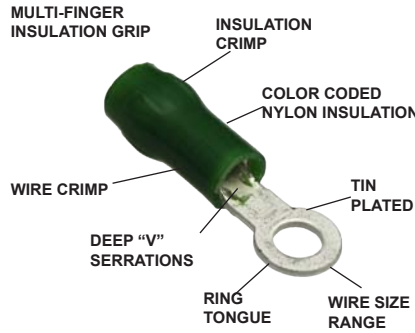
* 1000/Box

** Class 2

TYPE YAE-N

INSULUG™

Terminal - Nylon Insulated,
Ring Tongue Multi-Finger
Insulation Grip
600 Volts Max., 105° C Max.



B-11

INSULUG™ Type YAE-N nylon insulated terminals are designed with a multi-finger insulation grip for paper, EPR and other elastic or hard to grip insulations. The metal fingers firmly grip the insulation providing superior holding characteristics, cable support and strain relief. Type YAE-N terminals are rated 105° C and meet military standard AS25036 Class 2 and SAE-AS7928 requirements.



Features & Benefits

- Multi-finger insulation grip
- Provides superior insulation holding characteristics, especially on EPR and other elastic-type insulations
- Brazed seam
- Provides stronger more durable termination
- Manufactured of pure electrolytic copper
- Provides maximum conductivity, low

- resistance and ductility for excellent crimp forming properties
- Deep V groove, inner barrel serrations
- Provide optimum conductivity, reliability, and holding power
- Smooth funnel entry
- Easy wire insertion

NOTE: Field bending straight lugs to achieve an angular connection will void UL Listing / CSA Certifications and BURNDY will not be liable for the connection.

Catalog Number	Wire Range	Stud Size	***SAE-AS25036	Dimensions				Bulk Catalog Number	Installation Tooling	Tape Mounted Catalog Number 2000/Reel	Wire Strip Length		
				C	L Max.	Y Max.	Z Min.						
YAE18N26BOX	22 - 16	#4	—	0.22	0.78	0.70	0.19	YAE18N26	MR8-1A, MR8-33T-1 (no extra dies required) M8ND with one of the following dies: N14HET-25V1 N10ET-9 N14HET-15 N10ET-23 or Y10D Y10-22	YAE18N26M	3/16"		
YAE18N21BOX		#4-#6	102	0.25	0.89	0.77	0.28					YAE18N21	YAE18N21M
YAE18N24BOX		#6-#8	—	0.28	0.90	0.77	0.28					YAE18N24	YAE18N24M
YAE18NBOX		#8-#10	103	0.31	0.92	0.77	0.28					YAE18N	YAE18NM
YAE18N2BOX		1/4	150	0.45	1.10	0.88	0.40					YAE18N2	YAE18N2M
YAE18N3BOX		5/16	104	0.45	1.11	0.88	0.40					YAE18N3	YAE18N3M
YAE18N15BOX		3/8	105	0.53	1.19	0.93	0.43					YAE18N15	YAE18N15M
YAE14N43BOX	16 - 14	#4-#6	106 107	0.25	0.82	0.69	0.21	YAE14N43	MR8-1A, MR8-33T-1 (no extra dies required) M8ND with one of the following dies: N14HET-25V1 N10ET-9 N14HET-15 N10ET-23 or Y10D Y10-22	YAE14N43M	3/16"		
YAE14N1BOX		#6-#8	153	0.31	0.92	0.75	0.28					YAE14N1	YAE14N1M
YAE14NBOX		#8-#10	108	0.31	0.92	0.75	0.28					YAE14N	YAE14NM
YAE14N2BOX		1/4	154	0.45	1.11	0.88	0.40					YAE14N2	YAE14N2M
YAE14N3BOX		5/16	109	0.45	1.11	0.88	0.40					YAE14N3	YAE14N3M
YAE14N4BOX		3/8	110	0.53	1.19	0.93	0.45					YAE14N4	YAE14N4M
YAE12N9BOX	14 - 12	#6-#8	—	0.31	1.06	0.90	0.29	YAE12N9	MR8-1A, MR8-33T-1 (no extra dies required) Y10D M8ND with N12HET-1	YAE12N9M	21/64"		
YAE12N1BOX		#6-#8	—	0.31	1.06	0.90	0.29					YAE12N1	YAE12N1M
YAE12N2BOX		1/4	—	0.45	1.25	1.02	0.40					YAE12N2	YAE12N2M
YAE12N7BOX		#5	—	0.31	1.06	0.90	0.29					YAE12N7	YAE12N7M
YAE12NBOX		#8-#10	—	0.31	1.06	0.90	0.29					YAE12N	YAE12NM
YAE10N5BOX	12 - 10	#4-#6	111	0.38	1.15	0.96	0.28	YAE10N5	MR8-33T-1 (no extra dies required) M8ND with one of the following dies: N10HET-15, N10ET-9, N10ET-23 Y10D Y10-22	YAE10N5M	3/8"		
YAE10N11BOX		#6-#8	156	0.38	1.17	0.98	0.30					YAE10N11	YAE10N11M
YAE10NBOX		#8-#10	112	0.38	1.15	0.96	0.28					YAE10N	YAE10NM
YAE10N3BOX		1/4	157	0.54	1.39	1.12	0.44					YAE10N3	YAE10N3M
YAE10N2BOX		5/16	113	0.54	1.39	1.12	0.44					YAE10N2	YAE10N2M
YAE10N4BOX		3/8	114	0.54	1.39	1.12	0.44					YAE10N4	YAE10N4M
YAE10N79BOX		1/2	—	0.72	1.50	1.20	0.58					YAE10N79	—

* Not UL Listed or CSA Certified.

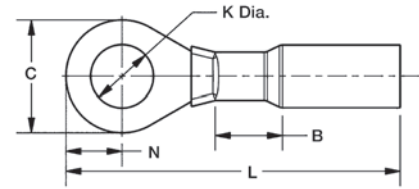
TYPE YHSA

B-12

HYDENT™ HEAT SHRINK RING TERMINALS

For Use on Copper Conductor

Standard crimp terminals leave the wire exposed allowing in moisture or other contaminants which can result in corrosion. Corrosion reduces the amount of current the wire can carry safely. The integrity of the electrical system can be compromised when unsealed electrical connections are utilized. Heat shrink terminals provide a durable seal blocking out contaminants ensuring a better connection.



Features & Benefits

- Made from pure copper, annealed for maximum strength
- Color-coded, imprinted with wire size
- Serrated barrels offer maximum wire contact and tensile strength
- Electro tin plated for corrosion resistance
- Wire Strip Length 5/16"

NOTE: Field bending straight lugs to achieve an angular connection will void UL Listing / CSA Certifications and BURNDY will not be liable for the connection.

Catalog No. (100/bag)	Catalog No. (20/bag)	Stud Size	Conductor Size	Dimensions						Installation Tooling	Wire Strip Length
				B	C	K	L	N	Tongue Thickness		
YHSA18K6	YHSA18K6RK	4-6	22-18 AWG	0.22	0.29	0.14	1.18	0.14	0.03	MR22	5/16
YHSA18K8	YHSA18K8RK	6-8	22-18 AWG	0.22	0.32	0.17	1.18	0.17	0.03	MR22	5/16
YHSA18K10	YHSA18K10RK	8-10	22-18 AWG	0.22	0.32	0.20	1.18	0.33	0.03	MR22	5/16
YHSA18K14	YHSA18K14RK	1/4	22-18 AWG	0.22	0.47	0.27	1.40	0.38	0.03	MR22	5/16
YHSA18K516	YHSA18K516RK	5/16	22-18 AWG	0.22	0.47	0.33	1.40	0.23	0.04	MR22	5/16
YHSA18K38	YHSA18K38RK	3/8	22-18 AWG	0.22	0.56	0.40	1.45	0.28	0.03	MR22	5/16
YHSA14K6	—	4-6	16-14 AWG	0.22	0.30	0.14	1.18	0.15	0.04	MR22	5/16
YHSA14K8	YHSA14K8RK	6-8	16-14 AWG	0.22	0.32	0.17	1.18	0.16	0.03	MR22	5/16
YHSA14K10	YHSA14K10RK	8-10	16-14 AWG	0.22	0.32	0.20	1.18	0.17	0.03	MR22	5/16
YHSA14K14	YHSA14K14RK	1/4	16-14 AWG	0.22	0.47	0.26	1.40	0.23	0.03	MR22	5/16
YHSA14K516	—	5/16	16-14 AWG	0.22	0.47	0.33	1.35	0.23	0.04	MR22	5/16
YHSA14K38	YHSA14K38RK	3/8	16-14 AWG	0.22	0.56	0.40	1.45	0.28	0.03	MR22	5/16
YHSA10K6	—	4-6	12-10 AWG	0.22	0.34	0.14	1.15	0.17	0.04	MR22	5/16
YHSA10K8	—	6-8	12-10 AWG	0.22	0.34	0.17	1.15	0.17	0.04	MR22	5/16
YHSA10K10	YHSA10K10RK	8-10	12-10 AWG	0.22	0.34	0.20	1.15	0.18	0.04	MR22	5/16
YHSA10K14	YHSA10K14RK	1/4	12-10 AWG	0.22	0.56	0.26	1.45	0.15	0.04	MR22	5/16
YHSA10K516	—	5/16	12-10 AWG	0.22	0.56	0.34	1.45	0.28	0.04	MR22	5/16
YHSA10K38	YHSA10K38RK	3/8	12-10 AWG	0.22	0.56	0.40	1.45	0.28	0.04	MR22	5/16
YHSA10K12	YHSA10K12RK	1/2	12-10 AWG	0.22	0.69	0.53	1.69	0.36	0.04	MR22	5/16

TYPE YAES-K

INSULUG™

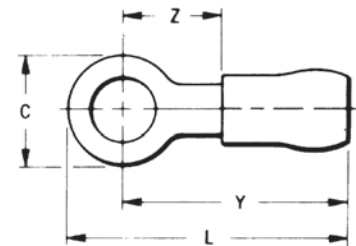
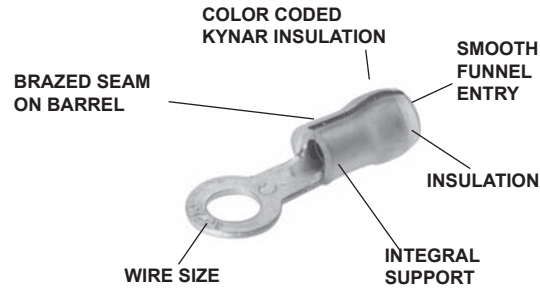
200 MEGARADS, -60° THROUGH 150° C, 600 VOLTS

The type YAES-K, radiation resistant insulated terminals are designed and have been tested to meet the requirements for class 1E critical circuits as set by the Nuclear Regulatory Commission (NRC). Additional testing for compatibility under loss of coolant accident (LOCA) conditions with cross-link polyethylene (XLP) and HYPALON® insulations was completed successfully. Compatibility with ethylene propylene rubber (EPR) insulation was determined by analysis. Each terminal is manufactured of pure electrolytic copper per QQ-C 576 and bright tin-plated per MIL-T-10727 and meets or exceeds MIL-T-7928 using stranded copper AWG wire. The KYNAR® insulation offers 200 megarad radiation resistance.

The Type YAES-K radiation resistant insulated terminals are suitable for class 1E critical circuits and non-critical nuclear associated applications.

NOTE: Field bending straight lugs to achieve an angular connection will void UL Listing / CSA Certifications and BURNDY will not be liable for the connection.

KYNAR - is a registered trademark of the Pennwalt Corp. for Polyvinylindene Floride (PVF₂)
 HYPALON - Is a registered trademark of the E.I. DuPont deNemours & Co., Inc.



Features & Benefits

- Insulation provides 200 megarad radiation resistance plus successfully tested for insulation compatibility
 - ◇ Provides improved physical strength characteristics over a multi-piece design.
- An integral one-piece copper barrel/insulation grip and wire strain relief design
 - ◇ Provides improved physical strength characteristics over a multi-piece design.
- The insulation is locked in place
 - ◇ The insulation will not move or twist off, thereby maintains proper dielectric values.
- Manufactured from pure electrolytic copper
 - ◇ Provides maximum conductivity, low resistance and ductility for excellent crimp forming properties.
- Bright tin-plated per MIL-T-10727
 - ◇ Provides durable long-lasting resistance to corrosion.
- Deep inner barrel serrations
 - ◇ Provides excellent electrical conductivity and tensile strength values.
- Brazed seam
 - ◇ Provides a stronger barrel design to minimize any possible splitting and eliminates folding.
- Smooth funnel entry
 - ◇ Easy wire insertion.

- Color coded terminals
 - ◇ Provides easy wire size identification and inspection.
- Coded raised dots in the die area of the connection after compression
 - ◇ Provides visual identification that the correct tool and die were used for proper installation.
- Inspection hole
 - ◇ Permits visual check for proper wire insertion.
- Ring tongue design
 - ◇ Provides a secure termination under screw head that cannot be removed without the complete removal of the screw.
- Multiple terminals may be stacked on a common stud easily
 - ◇ Provides flexibility and versatility.

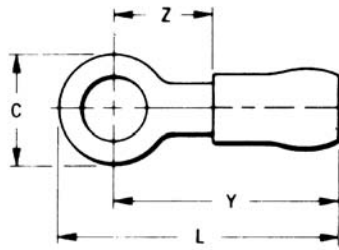
TYPE YAES-K

(Continued)

B-14

INSULUG™

200 MEGARADS, -60° THROUGH
150° C, 600 VOLTS



NOTE: Field bending straight lugs to achieve an angular connection will void UL Listing / CSA Certifications and BURNDY will not be liable for the connection.

Catalog Number	Stud Size	Conductor Size	Dimensions				Installation Tooling	Wire Strip Length
			C	L Max.	Y Max.	Z Max.		
YAES18K1	#6	22-18 AWG str. Max. Insul. Dia. Accom.: 0.12 Color Code: Red	0.23	0.76	0.64	0.20	Ratchet Tool: MR10G6 Crimp Mark: (1) Small Dot Red Groove Calibration Gauge: PG-373-1	7/32"
YAES18K2	#6		0.25	0.87	0.74	0.29		
YAES18K49	#8		0.32	0.91	0.76	0.29		
YAES18K3	#10		0.32	0.91	0.76	0.29		
YAES18K50	1/4		0.46	1.09	0.86	0.41		
YAES18K4	5/16		0.46	1.09	0.87	0.41		
YAES18K5	3/8		0.54	1.17	0.91	0.45		
YAES14K6	#6	16-14 AWG str. Max. Insul. Dia. Accom.: 0.15 Stock Thickness: 0.03 Color Code: Blue	0.26	0.77	0.65	0.22	Ratchet Tool: MR10G6 Crimp Mark: (2) Small Dots Blue Groove Calibration Gauge: PG-371-1	7/32"
YAES14K7	#6		0.32	0.91	0.76	0.29		
YAES14K53	#8		0.32	0.91	0.76	0.29		
YAES14K8	#10		0.32	0.91	0.76	0.29		
YAES14K54	1/4		0.46	1.09	0.86	0.41		
YAES14K9	5/16		0.46	1.09	0.86	0.41		
YAES14K10	3/8		0.53	1.18	0.91	0.45		
YAES10K11	#6	12-10 AWG str. Max. Insul. Dia. Accom.: 0.21 Stock Thickness: 0.04 Color Code: Yellow	0.38	1.12	0.94	0.26	Ratchet Tool: MR10G6 Crimp Mark: (1) Large Dot Calibration Gauge: PG-372-1	3/8"
YAES10K11T1	#6		0.31	1.09	0.94	0.26		
YAES10K56	#8		0.38	1.12	0.94	0.26		
YAES10K12	#10		0.38	1.12	0.94	0.26		
YAES10K57	1/4		0.54	1.32	1.06	0.37		
YAES10K13	5/16		0.54	1.32	1.06	0.37		
YAES10K14	3/8		0.58	1.34	1.05	0.40		
YAES10K58	1/2		0.72	1.41	1.06	0.45		

TYPES YAV BOX AND YAV

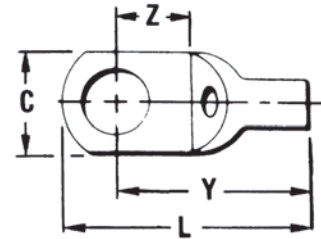
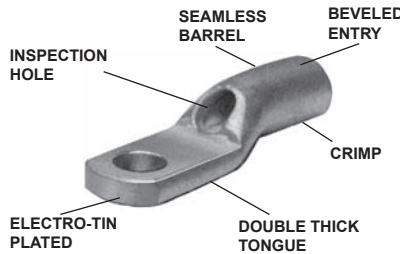
HYLUG™

Seamless Uninsulated Compression Heavy Duty Ring Tongue Terminal

HYLUG™ type YAV is a seamless, heavy duty uninsulated compression ring tongue terminal manufactured from pure electrolytic copper tubing and is for use on copper commercial (code) cable, type AN aircraft cable and extra flexible conductors. Because of its seamless design, the YAV HYLUG™ also accommodates solid conductors.

The seamless tubing produces a double thick tongue and a strong connector for demanding applications that require high reliability. Applications include industrials, hospitals, electric utilities, aircraft, shipboard and marine, computers, steel mills, mining equipment and other equipment that is subject to vibration or requiring dependable electrical performance.

The YAV HYLUG™ terminals meet the requirements of SAE-AS7928.



Features & Benefits

- Manufactured from seamless pure electrolytic copper tubing
- Provides maximum conductivity, low resistance and excellent ductility for crimping
- Seamless tubular crimp barrel design
- No seams to split resulting in a very high quality electrical connection, also can be used on solid conductor
- Double thick tongue
- Provides a very strong terminal tongue
- Produced from tubular copper
- Extra copper material assures the compression connector will operate cooler than the conductors it connects
- Internally bevelled barrel
- Provides easy cable entry, especially for flexible conductors

- Inspection hole
- Provides easy visual check for proper conductor insertion
- Electro-tin plated
- Provides long lasting durable corrosion resistance
- Nickel plating available, add "NK" suffix
- Nickel plated HYLUG™ provide high temperature applications up to 650° F continuous service and 750° F intermittent service



NOTE: Field bending straight lugs to achieve an angular connection will void UL Listing / CSA Certifications and BURNDY will not be liable for the connection.

Catalog Number	Wire Range	Stud Size	Dimensions				Bulk Catalog Number	Installation Tooling	Wire Strip Length
			C	L Max.	Y Max.	Z Min.			
YAV18-T4BOX	22-18 Str. and Sol.	3,4	0.19	0.59	0.54	0.16	YAV18T4	Non-Ratchet: Y10D, Y10-22 Ratchet: MR8G98, MR8-9Q, Y8MRB-1, MR20, MRE1022B	9/32"
YAV18-L33BOX		4-6	0.25	0.63	0.55	0.18	YAV18L33		
YAV18-T5BOX		6-8	0.31	0.76	0.61	0.24	YAV18T5		
YAV18-T1BOX							YAV18T1		
YAV18BOX		8-10	0.29	0.70	0.59	0.18	YAV18		
YAV14-L33BOX	20-14 Str.	4-6	0.25	0.67	0.59	0.18	YAV14L33	Non-Ratchet: Y10D, Y10-22 Ratchet: MR8G98, MR8-9Q, Y8MRB-1, MR20, MRE1022B	9/32"
YAV14-T5BOX		6-8	0.31	0.79	0.64	0.24	YAV14T5		
YAV14-T1BOX							YAV14T1		
YAV14-L36BOX	20-12 Sol.	8-10	0.29	0.79	0.64	0.24	YAV14L36		
YAV14BOX		1/4	0.40	0.99	0.75	0.32	YAV14		
YAV14-T2BOX							YAV14T2		
YAV14-T3BOX							YAV14T3		
YAV12-G2BOX ■	† 14-12 Str.	8-10	0.30	0.78	0.67	0.24	YAV12G2	Y10D, Y8MRB-1, M8ND w/N14HT	9/32"
YAV12-G3BOX ■		1/4	0.34	1.00	0.76	0.33	YAV12G3		
YAV10-T7BOX	14 Str. 12-10 Str. and Sol.	4-6	0.28	0.93	0.78	0.24	YAV10T7*	Non-Ratchet: Y10D, Y10-22 Ratchet: MR8G98, MR8-9Q, Y8MRB-1, MR20, N10HT, N10HT-24, MRE1022B	7/16"
YAV10-T11BOX		6-8	0.38		0.79	0.26	YAV10T11		
YAV10-L36BOX		8-10	0.29	0.86	0.71	0.23	YAV10L36		
YAV10BOX							0.36		
YAV10-T3BOX		1/4	0.45	1.10	0.87	0.32	YAV10T3		
YAV10-T2BOX		5/16	0.53	1.13			0.31		
YAV10-T4BOX		3/8		1.20	0.88	0.36	YAV10T4*		
YAV9C-L36BOX		10-9 Str.	8-10	0.31	0.94	0.83	0.15		
YAV9C-T9BOX	1/4		0.44	1.15	0.95	0.31	YAV9CT9		
YAV9C-T4BOX	5/16		0.52	1.23	1.02	0.36	YAV9CT4		

■ Use #14 groove

† UL Listed for 14 Str. to #10 Sol. & Str. when installed with MR8G98 and Y8MRB-1 tools only.

* Class 1 & 2 connectors

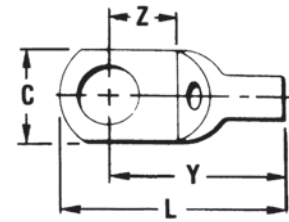
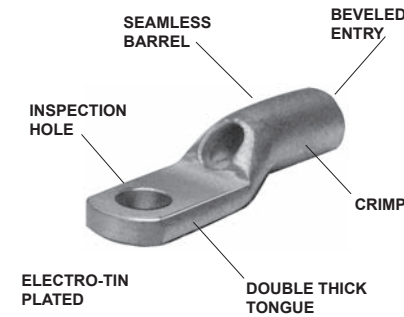
TYPES YAV-L BOX AND YAV-L

HYLUG™

Large Size Uninsulated Compression Terminals Seamless Uninsulated Compression Ring Tongue Terminal

#8-4/0 Str. Copper

HYLUG™ Type YAV is a seamless, heavy duty uninsulated compression terminal manufactured from electrolytic copper and is for use on Type AN aircraft cable, extra flexible conductors and commercial (code) conductors. The seamless tubing produces a double thick tongue and seamless barrel design provides a strong connector for demanding applications requiring high reliability.



Applications include aircraft, industrials, hospitals, electric utilities, marine, computers, and other equipment subject to vibration or requiring dependable electrical performance. The YAV HYLUG™ terminals meet the requirements of SAE-AS7928 and are listed per AS20659 for use with copper aircraft cable per MIL-WV-5086

The benefits of YAV-L connectors are the same as YAV connectors for stranded conductors.



NOTE: Field bending straight lugs to achieve an angular connection will void UL Listing / CSA Certifications and BURNDY will not be liable for the connection.

Catalog Number	Wire Range (AWG/kcmil)	Stud Size	SAE - AS20659 Dash No. †	Dimensions (Inches)				Bulk Catalog Number	Installation Tooling				Wire Strip Length
				C	L Max.	Y Max.	Z Max.		HYTOOL™ ■	Die Index	HYPRESS™		
											Y29B, Y29NC	Y35, Y39, Y750 ▲	
YAV8C-LBOX	8 Aircraft AN 8 Flex	8-10	-107	0.41	1.15	0.94	0.28	YAV8C-L●	Non-Ratchet: MY29-11 Ratchet: MR4C, MR8-9Q, Y8MRB-1, M8ND w/ N8CT Die Set	38	DV8L-1 Nest Y29PL Indentor (1) Crimp	UV8L Nest Y34PL Indentor (1) Crimp	1/2"
YAV8C-L1BOX		1/4	-141	0.46	1.22	0.99	0.32	YAV8C-L1●					
YAV8C-L2BOX		5/16	-108	0.57	1.30	1.01	0.34	YAV8C-L2					
YAV8C-L3BOX		3/8	-129	0.57	1.30	1.01	0.34	YAV8C-L3●					
YAV8C-L4BOX		1/2	-142	0.73	1.52	1.14	0.48	YAV8C-L4●					
YAV6C-L1BOX	5 & 6 Aircraft AN 5 & 6 Flex	8-10	-130	0.46	1.31	1.06	0.29	YAV6C-L1●	Non-Ratchet: MY28, MY29-11 Ratchet: MR4C	39	DV6L Nest Y29PL Indentor (1) Crimp	UV6L Nest Y34PLA Indentor (1) Crimp	1/2"
YAV6C-LBOX		1/4	-109	0.50	1.28	1.06	0.29	YAV6C-L●					
YAV6C-L4BOX		5/16	-131	0.58	1.43	1.13	0.35	YAV6C-L4●					
YAV6C-L2BOX		3/8	-110	0.60	1.43	1.13	0.36	YAV6C-L2●					
YAV6C-L10BOX		1/2	-143	0.74	1.64	1.26	0.49	YAV6C-L10					
YAV4C-L3BOX	4 Aircraft AN 4 Flex	8-10	-144	0.55	1.37	1.11	0.28	YAV4C-L3●	Non-Ratchet: MY28, MY29-11 Ratchet: MR4C	40	DV4L Nest Y29PL Indentor (1) Crimp	UV4L Nest Y34PLA Indentor (1) Crimp	1/2"
YAV4C-LBOX		1/4	-111	0.55	1.37	1.11	0.28	YAV4C-L					
YAV4C-L4BOX		5/16	-132	0.63	1.48	1.17	0.33	YAV4C-L4●					
YAV4C-L2BOX		3/8	-112	0.63	1.48	1.17	0.33	YAV4C-L2●					
YAV4C-L5BOX		1/2	-145	0.73	1.68	1.30	0.47	YAV4C-L5					
YAV2C-L1BOX	2 Aircraft AN 2 Flex	1/4	-113	0.69	1.72	1.37	0.35	YAV2C-L1●	Non-Ratchet: MY28, MY29-11	41	DV2L Nest Y29PL Indentor (1) Crimp	UV2L Nest Y34PLA Indentor (1) Crimp	5/8"
YAV2C-L2BOX		5/16	-147	0.69	1.72	1.37	0.35	YAV2C-L2●					
YAV2C-LBOX		3/8	-114	0.69	1.72	1.37	0.35	YAV2C-L●					
YAV2C-L4BOX		1/2	-133	0.77	1.88	1.49	0.46	YAV2C-L4					

† Class 1.

● Available in (90°) right angle design. Suffix "RS" Replaces Suffix "L".

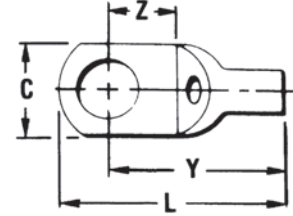
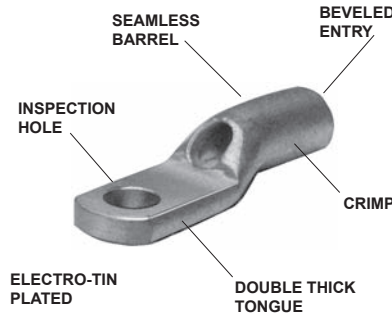
▲ Use Y35P3 Indentor Adapter with Y35 and Y39 Tool.

■ Bench Mount Adapter - Cat. BMY-BCH-MT is available for Type "MY" HYTOOLS™.

Add "NK" suffix for nickel plated HYLUGs™ for high temperature applications up to 650° F continuous service and 750° intermittent service.

TYPES YAV-L BOX AND YAV-L (Continued)

HYLUG™



B-17

NOTE: Field bending straight lugs to achieve an angular connection will void UL Listing / CSA Certifications and BURNDY will not be liable for the connection.

Catalog Number	Wire Range (AWG/kcmil)	Stud Size	SAE-AS20659 Dash No. †	Dimensions (Inches)				Bulk Catalog Number	Installation Tooling			Wire Strip Length	
				C	L Max.	Y Max.	Z Max.		HYTOOL™	Die Index	HYPRESS™		
											Y29B, Y29NC		Y35, Y39, Y750 ▲
YAV1C-L1BOX	1 Aircraft AN 1 Flex	1/4	-115	0.76	1.84	1.45	0.38	Non-Ratchet: MY28, MY29-11	42	DV1L Nest Y29PL Indentor (1) Crimp	UV1L Nest Y34PLA Indentor (1) Crimp	5/8"	
YAV1C-L2BOX		5/16	-149	0.76	1.84	1.45	0.38						YAV1C-L2 ●
YAV1C-LBOX		3/8	-116	0.76	1.84	1.45	0.38						YAV1C-L
YAV1C-L3BOX		1/2	-134	0.86	1.97	1.54	0.46						YAV1C-L3
YAV25-L1BOX	1/0 Aircraft AN 1/0 Flex	1/4	-117	0.83	2.01	1.61	0.43	Non-Ratchet: MY28, MY29-11	43	DV25L Nest Y29PR Indentor (1) Crimp	UV25L Nest Y34PA Indentor (1) Crimp	11/16"	
YAV25-L2BOX		5/16	-151	0.83	2.03	1.61	0.43						YAV25-L2 ●
YAV25-LBOX		3/8	-118	0.83	2.03	1.61	0.43						YAV25-L ●
YAV25-L3BOX		1/2	-135	0.88	2.09	1.64	0.46						YAV25-L3 ●
YAV25-L4BOX		5/8	—	0.88	2.31	1.80	0.62	YAV25-L4					
YAV26-L1BOX	2/0 Aircraft AN 2/0 Flex	1/4	-153	0.93	2.32	1.85	0.48	Non-Ratchet: MY28, MY29-11	44	DV26L Nest Y29PR Indentor (1) Crimp	UV26L Nest Y34PA Indentor (1) Crimp	13/16"	
YAV26-L2BOX		5/16	-119	0.93	2.32	1.85	0.48						YAV26-L2
YAV26-LBOX		3/8	-120	0.93	2.32	1.85	0.48						YAV26-L ●
YAV26-L3BOX		1/2	-136	0.93	2.32	1.85	0.48						YAV26-L3 ●
YAV26-L12BOX		5/8	—	0.93	2.52	1.99	0.62	YAV26-L12					
YAV27-LBOX	3/0 Aircraft AN 3/0 Flex	3/8	-121	1.03	2.45	1.93	0.52	Non-Ratchet: MY28, MY29-11	45	—	UV27L Nest Y34PA Indentor (1) Crimp	13/16"	
YAV27-L1BOX		1/2	-122	1.03	2.45	1.93	0.52						YAV27-L1
YAV27-L15BOX		5/8	—	1.03	2.60	2.03	0.62						YAV27-L15
YAV28-L53BOX	4/0 Aircraft AN 4/0 Flex	1/4	—	1.12	2.28	1.83	0.28	Non-Ratchet: MY28, MY29-11	46	—	UV28L Nest Y34PA Indentor (1) Crimp	7/8"	
YAV28-LBOX		3/8	-123	1.12	2.72	2.16	0.60						YAV28-L
YAV28-L12BOX		1/2	-124	1.12	2.72	2.16	0.60						YAV28-L12
YAV28-L13BOX		5/8	-159	1.12	2.72	2.16	0.60						YAV28-L13
YAV28-L14BOX		3/4	-160	1.23	2.95	2.33	0.78						YAV28-L14

† Class 1.

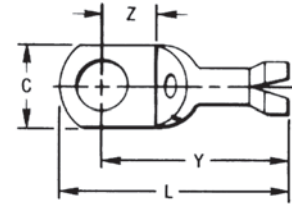
- Available in (90°) right angle design. Suffix "RS" Replaces Suffix "L".
- ▲ Use Y35P3 Indentor Adapter with Y35 and Y39 Tool.

■ Bench Mount Adapter - Cat. BMY-BCH-MT is available for Type "MY" HYTOOLS™. Add "NK" suffix for nickel plated HYLUGs™ for high temperature applications up to 650° F continuous service and 750° intermittent service.

TYPES YAV-H BOX AND YAV-H

B-18

HYLUG™



Seamless Uninsulated Compression Ring Tongue Terminal With Shroud

The type YAV-H HYLUG™ is a seamless heavy duty uninsulated compression ring tongue terminal with a shroud for an insulation grip and cable support. They are manufactured from pure electrolytic copper tubing for use on copper commercial (code) cable, Type AN aircraft cable and extra flexible conductors.

The seamless design produces a double thick tongue and the seamless barrel provides a strong highly reliable connection. Meets the requirements of SAE-AS7928. The benefits of the Type YAV apply to the YAV-H HYLUG™.

Features & Benefits

- Shroud/insulation grip cable support and strain relief
 - ◊ Protects the wire against breaking under vibration or flexing conditions
- Electro-tin plated
 - ◊ Provides long-lasting corrosion resistance



NOTE: Field bending straight lugs to achieve an angular connection will void UL Listing / CSA Certifications and BURNDY will not be liable for the connection.

Catalog Number	Wire Range (AWG/kcmil)	Stud Size	Max. Insul. Dia. Accom.	Dimensions				Bulk Catalog Number	Installation Tooling	Dies	Wire Strip Length
				C	L Max.	Y Max.	Z Min.				
YAV18-HBOX	22-18	8 - 10	0.120"	0.31	0.88	0.76	0.24	YAV18H	Plier: Y10D, Y10-22*	M8ND, with N14HT, N14HT-5 Die	9/32"
YAV14-H1BOX	16-14	6 - 8	0.150"	0.31	0.92	0.80	0.24	YAV14H1			9/32"
YAV14-HBOX	20-14	8 - 10	0.150"	0.31	0.95	0.80	0.24	YAV14H	Ratchet: MR8-G98, MR8-9Q, Y8MRB-1*, MR20, M8ND, MRE1022B	M8ND, N10HT-24	9/32"
YAV14-H2BOX		1/4		0.42	1.14	0.90	0.32	YAV14H2			
YAV10-H25BOX	12-10	6 - 8	0.192"	0.31	1.00	0.90	0.24	YAV10H25			
YAV10-HBOX		8 - 10		0.38	1.05	0.91	0.24	YAV10H			
YAV10-H3BOX		1/4		0.47	1.22	0.99	0.32	YAV10H3			

* For conductor crimp only.

TYPES YAEV AND YAEV-L

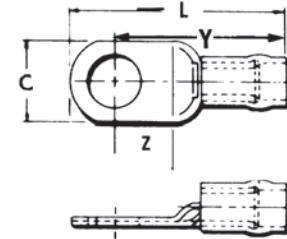
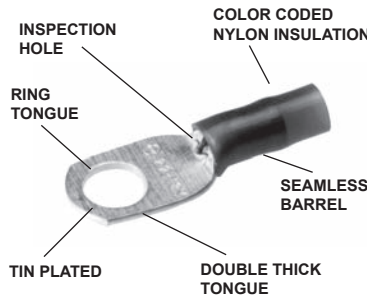
INSULUG™

Terminal — Nylon Insulated — Ring-Tongue

600 Volts Max., 105° C Max.

The INSULUG™ type YAEV is designed for very demanding high vibration applications encountered in aircraft and aboard ships as well as motor lead applications in hospitals, industrials and generating plants. The nylon insulated seamless, electrolytic copper barrel with double thick tongue provides an extra strong insulated connection. The terminal is rated 105°C and meets MIL-T-7928 requirements.

NOTE: Field bending straight lugs to achieve an angular connection will void UL Listing / CSA Certifications and BURNDY will not be liable for the connection.



Features & Benefits

- Double thick tongue.
 - ◊ Provides maximum reliability and electrical capacity plus an extra strong terminal tongue.
- Manufactured from one-piece pure electrolytic copper.
 - ◊ Provides high conductivity, low resistance with no seams to split plus ductility for excellent crimp forming properties.
- Electro-tin plated.
 - ◊ Provides long-lasting corrosion resistance.
- Nylon insulation is locked in place.
 - ◊ Insulation will not move or twist off
- 300 volt nylon insulation.
 - ◊ High dielectric strength and stability in demanding oily environmental conditions.
- Color Coded.
 - ◊ Provides quick, easy wire size connector selection.

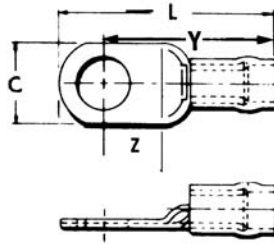
Catalog Number	Wire Range AWG, AN Aircraft	Stud Size	Dimensions				Bulk Catalog Number	Installation Tooling	Wire Strip Length
			C	Z Min.	Y Max.	L Max.			
YAEV18BOX	22-18 Max. Insul. Dia. Accom.: .125 Color Code: Red	8-10	0.31	0.24	0.77	0.91	YAEV18	Ratchet: MR8D94, MRE1022NV	1/4"
YAEV14BOX	18-14 Max. Insul. Dia. Accom.: .154 Color Code: Blue	8-10	0.31	0.24	0.81	0.94	YAEV14	Ratchet: MR8D94, MRE1022NV	1/4"
YAEV10-T7BOX	12-10 Max. Insul. Dia. Accom.: .209 Color Code: Yellow	4-6	0.30	0.24	0.95	1.12	YAEV10-T7	Ratchet: MR8D94 MR8-33-T1 M8ND with N10ET-9 Die MR4 10M MRE1022NV	5/16"
YAEV10-T11BOX		6-8	0.37	0.26	0.97	1.16	YAEV10-T11		
YAEV10BOX		8-10	0.37	0.26	0.97	1.16	YAEV10		
YAEV10-L36BOX		8-10	0.30	0.18	0.89	1.04	YAEV10-L36		
YAEV10-T3BOX		1/4	0.47	0.38	1.12	1.30	YAEV10-T3		
YAEV10-T2BOX		5/16	0.53	0.31	1.12	1.36	YAEV10-T2		
YAEV10-T4BOX		3/8	0.56	0.35	1.12	1.38	YAEV10-T4		

TYPES YAEV AND YAEV-L

(Continued)

B-20

INSULUG™



NOTE: Field bending straight lugs to achieve an angular connection will void UL Listing / CSA Certifications and BURNDY will not be liable for the connection.

Catalog Number	Wire Range AWG, AN Aircraft	Stud Size	AS25036- No.	Dimensions				Bulk Catalog Number	Installation Tooling	HYPRESS™ Y29NC		Wire Strip Length	
				C	Z Min.	Y Max.	L Max.			Nest	Indentor		
YAEV8C-L14BOX	8 Str. Max. Insul. Dia. Accom.: .258 Color Code: Red	8	—	0.41	0.28	1.18	1.40	YAEV8C-L14	Ratchet: M8ND with N8CET-2 Die Non-Ratchet: MY28-6* Hydraulic: Y35, Y39 with U8CET Die Set	DEV8L	Y29PLE-1	7/16"	
YAEV8C-L1BOX		1/4	-116	0.46	0.32	1.23	1.47						YAEV8C-L1
YAEV8C-L2BOX		5/16	-117	0.57	0.34	1.25	1.54						YAEV8C-L2
YAEV8C-L3BOX		3/8	-118	0.57	0.34	1.25	1.54						YAEV8C-L3
YAEV8C-L4BOX		1/2	—	0.73	0.48	1.39	1.77						YAEV8C-L4
YAEV8C-LBOX		10	—	0.41	0.28	1.18	1.40						YAEV8C-L
—	6 Str. Max. Insul. Dia. Accom.: .313 Color Code: Blue	8-10	-119**	0.48	0.29	1.33	1.56	YAEV6C-L1**	Non-Ratchet: MY28-6* Hydraulic: Y35, Y39 with U6CET Die Set	DEV6L	Y29PLE-1	1/2"	
—		1/4	-120**	0.48	0.29	1.33	1.56	YAEV6C-L**					
—		5/16	-121**	0.60	0.36	1.39	1.68	YAEV6C-L4**					
—		3/8	-122**	0.60	0.36	1.39	1.68	YAEV6C-L2**					
—		1/2	—	0.73	0.47	1.53	1.91	YAEV6C-L10					
—	4 Str. Max. Insul. Dia. Accom.: .374 Color Code: Yellow	8-10	—	0.55	0.28	1.40	1.62	YAEV4C-L3	Non-Ratchet: MY28-6* Hydraulic: Y35, Y39 with U4CET Die Set	DEV4L	Y29PLE-1	1/2"	
—		1/4	-123	0.55	0.28	1.37	1.62	YAEV4C-L					
—		5/16	-124	0.63	0.34	1.43	1.74	YAEV4C-L4					
—		3/8	-125	0.63	0.34	1.43	1.74	YAEV4C-L2					
—		1/2	—	0.73	0.47	1.56	1.92	YAEV4C-L5					
—	2 Str. Max. Insul. Dia. Accom.: .459 Color Code: Red	10	—	0.69	0.35	1.72	2.03	YAEV2C-L3	Non-Ratchet: MY28-6* Hydraulic: Y35, Y39 with U2CET Die Set	DEV2L	Y29PLE	5/8"	
—		1/4	-126	0.69	0.35	1.61	2.03	YAEV2C-L1					
—		5/16	—	0.69	0.35	1.68	2.03	YAEV2C-L2					
—		3/8	-127	0.69	0.35	1.69	2.03	YAEV2C-L					
—		1/2	-128	0.77	0.47	1.80	2.16	YAEV2C-L4					
—	1 Str. Max. Insul. Dia. Accom.: .516 Color Code: White	1/4	-129	0.76	0.38	1.63	2.14	YAEV1C-L1	Non-Ratchet: MY28-6* Hydraulic: Y35, Y39 with U1CET Die Set	DV26L	Y29PLE	5/8"	
—		5/16	—	0.76	0.38	1.71	2.14	YAEV1C-L2					
—		3/8	-130	0.76	0.38	1.72	2.14	YAEV1C-L					
—		1/2	-131	0.86	0.47	1.86	2.27	YAEV1C-L3					
—	1/0 Str. Max. Insul. Dia. Accom.: .564 Color Code: Blue	1/4	-132	0.83	0.43	1.97	2.40	YAEV25-L1	Non-Ratchet: MY28-6* Hydraulic: Y35, Y39 with U25ET Die Set	DEV25L	Y29PLE	11/16"	
—		5/16	—	0.83	0.43	1.97	2.40	YAEV25-L2					
—		3/8	-133	0.83	0.43	1.97	2.40	YAEV25-L					
—		1/2	-134	0.88	0.47	2.02	2.46	YAEV25-L3					
—		5/8	—	0.88	0.63	2.17	2.67	YAEV25-L4					
—	2/0 Str. Max. Insul. Dia. Accom.: .628 Color Code: Yellow	1/4	—	0.93	0.49	2.19	2.72	YAEV26-L1	Non-Ratchet: MY28-6* Hydraulic: Y35, Y39, Y750 with U26ET Die Set	DEV26L	Y29PLE	13/16"	
—		5/16	-135	0.93	0.49	2.19	2.72	YAEV26-L2					
—		3/8	-136	0.93	0.49	2.19	2.72	YAEV26-L					
—		1/2	-137	0.93	0.49	2.27	2.72	YAEV26-L3					

† Additional terminal stud sizes available.

* BMY, BNCH-MT bench mount adapter available.

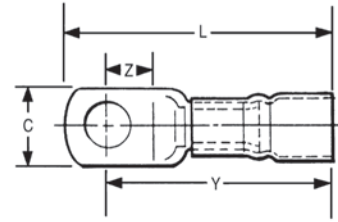
** NOTE: Add suffix "M" to cat. number to conform to AS25036 - standard for these items only (example: YAEV6C-L1M). See above. Contact BURNDY® for UL Listed products.

TYPE YAEV-H

INSULUG™

Ring-Tongue Terminals

Nylon-Insulated
For Expanded Insulation



B-21

Designed to accommodate larger conductor insulation diameters. Made of one piece tin plated pure electrolytic seamless copper tubing for maximum conductivity and ductility. Color-coded insulating sleeves are locked into position. Inspection hole permits visual check of wire insertion. Meets requirements of SAE-AS7928.

NOTE: Field bending straight lugs to achieve an angular connection will void UL Listing / CSA Certifications and BURNDY will not be liable for the connection.

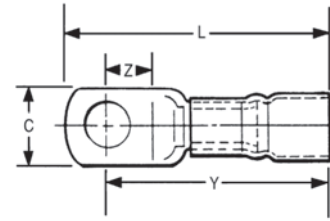
Bulk Catalog Number	Wire Range	Stud Size	Dimensions in Inches				Installation Tooling			Wire Strip Length
			C	Z Min.	Y Max.	L Max.	HYTOOL™ HYPRESS™	Y29NC, Y29BH		
								Nest	Indentor	
YAEV8C-H14	8 Max. Insul. Dia.: .30" Sleeve Color: Red	8	0.41	0.25	1.32	1.53	M8ND with N8CET-2 Die My28-6* Y35, Y29 with U8CET Die	DEV8L	Y29PLE-1	7/16"
YAEV8C-H		10	0.41	0.25	1.34	1.53				
YAEV8C-H1		1/4	0.46	0.28	1.37	1.60				
YAEV8C-H2		5/16	0.57	0.33	1.39	1.68				
YAEV8C-H3		3/8	0.57	0.33	1.39	1.68				
YAEV8C-H4		1/2	0.73	0.47	1.52	1.90				
YAEV6C-H1	6 Max. Insul. Dia.: .38" Sleeve Color: Blue	10	0.48	0.28	1.48	1.72	My28-6* Y35, Y39 with U6CET Die Set	DEV6L	Y29PLE-1	1/2"
YAEV6C-H		1/4	0.48	0.28	1.48	1.72				
YAEV6C-H4		5/16	0.60	0.33	1.54	1.85				
YAEV6C-H2		3/8	0.60	0.34	1.54	1.85				
YAEV6C-H10		1/2	0.73	0.47	1.68	2.06				
YAEV4C-H3	4 Max. Insul. Dia.: .44" Sleeve Color: Yellow	10	0.55	0.28	1.60	1.86	MY28-6* Y35, Y39 with U4CET Die Set	DEV4L	Y29PLE-1	1/2"
YAEV4C-H		1/4	0.55	0.28	1.60	1.86				
YAEV4C-H4		5/16	0.63	0.34	1.66	1.98				
YAEV4C-H2		3/8	0.63	0.34	1.66	1.98				
YAEV4C-H5		1/2	0.73	0.47	1.79	2.17				
YAEV2C-H3	2 Max. Insul. Dia.: .52" Sleeve Color: Red	10	0.69	0.35	1.98	2.33	MY28-6* Y35, Y39 with U2CET Die	DEV2L	Y29PLE	5/8"
YAEV2C-H1		1/4	0.69	0.35	1.98	2.33				
YAEV2C-H2		5/16	0.69	0.35	1.98	2.33				
YAEV2C-H		3/8	0.69	0.35	1.98	2.33				
YAEV2C-H4		1/2	0.77	0.47	2.10	2.49				
YAEV1C-H1	1 Max. Insul. Dia.: .58" Sleeve Color: White	1/4	0.76	0.38	2.10	2.48	MY28-6* Y35, Y39 with U1CET Die	DV26L	Y29PLE	5/8"
YAEV1C-H2		5/16	0.76	0.38	2.10	2.48				
YAEV1C-H		3/8	0.76	0.38	2.10	2.48				
YAEV1C-H3		1/2	0.86	0.46	2.10	2.62				

* BMY BNCH-MT bench mount adapter available.

TYPE YAEV-H

(Continued)

B-22



NOTE: Field bending straight lugs to achieve an angular connection will void UL Listing / CSA Certifications and BURNDY will not be liable for the connection.

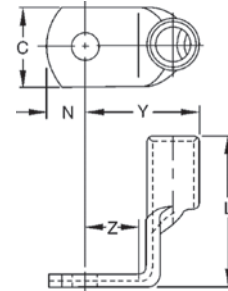
Bulk Catalog Number	Wire Range	Stud Size	Dimensions in Inches				Installation Tooling		Wire Strip Length	
			C	Z Min.	Y Max.	L Max.	HYTOOL™ HYPRESS™	Y29NC, Y29BH		
								Nest		Indentor
YAEV25-H1	1/0 Max. Insul. Dia.: .66" Sleeve Color: Blue	1/4	0.83	0.43	2.39	2.82	MY28-6* Y35, Y39 with U25ET Die Set	DEV25L	Y29PLE	11/16"
YAEV25-H2		5/16	0.83	0.43	2.39	2.82				
YAEV25-H		3/8	0.83	0.43	2.39	2.82				
YAEV25-H3		1/2	0.88	0.46	2.43	2.88				
YAEV25-H4		5/8	0.88	0.62	2.58	3.09				
YAEV26-H1	2/0 Max. Insul. Dia.: .73" Sleeve Color: Yellow	1/4	0.94	0.48	2.65	3.12	MY28-6* Y35, Y39 with U26ET Die Set	DEV26L	Y29PLE	13/16"
YAEV26-H2		5/16	0.94	0.48	2.65	3.12				
YAEV26-H		3/8	0.94	0.48	2.65	3.12				
YAEV26-H3		1/2	0.94	0.48	2.65	3.12				
YAEV26-H12		5/8	0.94	0.62	2.79	3.33				

* BMY BNCH-MT bench mount adapter available.

TYPES YAV-R, YAV-RS

HYLUG™

Heavy Duty Right-Angle Terminals



B-23

Factory formed right angle HYLUG™ connectors made of seamless pure copper tubing. These rugged terminals withstand the most severe applications. Inspection hole in barrel permits visual check of wire insertion. Tin plated to resist corrosion. Meets requirements of SAE-AS7928.

NOTE: Field bending straight lugs to achieve an angular connection will void UL Listing / CSA Certifications and BURNDY will not be liable for the connection.

Catalog Number	Wire Range (AWG/kcmil)	Stud Size	Dimensions					Installation Tooling	Wire Strip Length
			C	L Max.	Y Max.	Z Min.	N		
YAV18-R	22-18	8-10	0.31	0.34	0.46	0.25	0.16	Non-Ratchet: Y10D Ratchet: Y8MRB-1, MR20, MR8-G98, MR8-9Q	1/4
YAV14-RL33	20-14	4-6	0.25	0.37	0.45	0.21	0.12		
YAV14-R		8-10	0.31	0.36	0.48	0.25	0.16		
YAV10-R	12-10	8-10	0.38	0.53	0.46	0.25	0.19		5/16
YAV10-R3BOX	12-10	1/4	0.47	0.55	0.50	.28	0.23		5/16

Catalog Number	Wire Range (AWG/kcmil)	Stud Size	Dimensions in Inches					Installation Tooling		Wire Strip Length	Tool ▲ Index Number	
			C	L Max.	Y Max.	Z Min.	N	Ratchet, Non-Ratchet, HYTOOL™	HYPRESS™ Y29NC, Y29BH			
									Nest			Indentor
YAV8C-RS	8	8-10	0.41	0.95	0.62	0.25	0.20	MY28 MY29-11	DV8L*	Y29PL	7/16	38
YAV8C-RS1		1/4	0.41	0.95	0.65	0.28	0.20					
YAV8C-RS3		3/8	0.56	0.95	0.71	0.34	0.31					
YAV6C-RS1	6	8-10	0.50	0.98	0.67	0.28	0.25		DV6L	Y29PL	1/2	39
YAV6C-RS		1/4	0.50	0.98	0.67	0.28	0.25					
YAV6C-RS4		5/16	0.59	0.98	0.73	0.34	0.31					
YAV6C-RS2	3/8	0.59	0.98	0.73	0.34	0.31	DV4L		Y29PL	1/2	40	
YAV4C-RS3	8-10	0.53	1.00	0.70	0.28	0.25						
YAV4C-RS	1/4	0.53	1.00	0.70	0.28	0.25						
YAV4C-RS4	4	5/16	0.62	1.00	0.77	0.34	0.31		DV2L	Y29PR	5/8	41
YAV4C-RS2	3/8	0.62	1.00	0.77	0.34	0.31						
YAV2C-RS1	1/4	0.68	1.27	0.82	0.34	0.33						
YAV2C-RS2	2	5/16	0.68	1.27	0.82	0.34	0.33		DV1L	Y29PR	5/8	42
YAV2C-RS	3/8	0.68	1.27	0.82	0.34	0.33						
YAV1C-RS1	1	1/4	0.73	1.31	0.88	0.34	0.33		DV25L	Y29PR	11/16	43
YAV1C-RS2		5/16	0.73	1.31	0.88	0.34	0.33					
YAV25-RS	1/0	3/8	0.81	1.46	1.01	0.44	0.39	DV26L	Y29PR	13/16	44	
YAV25-RS3		1/2	0.88	1.46	1.04	0.47	0.44					
YAV26-RS	2/0	3/8	0.92	1.58	1.00	0.47	0.39	—	—	7/8	45	
YAV26-RS3		1/2	0.92	1.58	1.00	0.47	0.39					
YAV27-RS	3/0	3/8	1.02	1.61	1.12	0.47	0.48	—	—	7/8	46	
YAV28-RS	4/0	3/8	1.12	1.75	1.15	0.47	0.48					

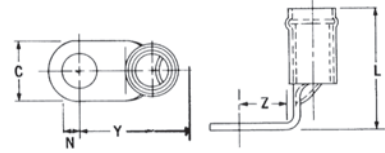
* For aircraft applications (Flexible Cable) use die DV8L-1
▲ See Present Installation Tool Index

TYPES YAEV-RS

B-24

INSULUG™

Nylon-Insulated
Right-Angle Terminals



Factory formed right angle INSULUG™ connectors made of seamless pure copper tubing. These rugged terminals withstand the most severe applications. Inspection hole in barrel permits visual check of wire insertion. Meets requirements of SAE-AS7928.

NOTE: Field bending straight lugs to achieve an angular connection will void UL Listing / CSA Certifications and BURNDY will not be liable for the connection.

Catalog Number	Wire Range	Stud Size	N	C	Z Min.	Y Max.	L Max.	Installation Tooling			Wire Strip Length
								HYTOOL™	HYPRESS™ Y29NC, Y29BH		
									Nest	Indentor	
YAEV8C-RS	8	8-10	0.20	0.41	0.25	0.82	1.25	A	DEV8L	Y29PLE-1	7/16"
YAEV8C-RS1	Max. Insul. Dia.: .258" Sleeve Color: Red	1/4	0.25	0.41	0.28	0.84	1.25				
YAEV6C-RS1	6	8-10	0.25	0.50	0.28	0.88	1.28	B	DEV6L	Y29PLE-1	1/2"
YAEV6C-RS	Max. Insul. Dia.: .313" Sleeve Color: Blue	1/4	0.25	0.50	0.28	0.88	1.28				
YAEV4C-RS	4	1/4	0.25	0.53	0.28	0.95	1.28	C	DEV4L	Y29PLE-1	1/2"
YAEV4C-RS2	Max. Insul. Dia.: .374" Sleeve Color: Yellow	3/8	0.31	0.62	0.34	1.02	1.28				
YAEV2C-RS1	2	1/4	0.33	0.68	0.34	1.13	1.59	D	DEV2L	Y29PLE	5/8"
YAEV2C-RS	Max. Insul. Dia.: .459" Sleeve Color: Red	3/8	0.33	0.68	0.34	1.13	1.59				
YAEV1C-RS2	1	5/16	0.33	0.73	0.34	1.13	1.65	E	DV26L	Y29PLE	5/8"
YAEV1C-RS	Max. Insul. Dia.: .516" Sleeve Color: White	3/8	0.33	0.73	0.34	1.22	1.65				
YAEV25-RS	1/0	3/8	0.39	0.81	0.44	1.46	1.88	F	DEV25L	Y29PLE	11/16"
YAEV26-RS	2/0	3/8	0.39	0.92	0.47	1.48	2.06	G	DEV26	Y29PLE	13/16"

A	B	C	D	E	F	G
Ratchet: M8ND with N8CET-2 Die Non-Ratchet: MY28-6†† Hydraulic: Y35, Y39 with U8CET Die Set	Non-Ratchet: MY28-6†† Hydraulic: Y35, Y39 with U6CET Die Set	Non-Ratchet: MY28-6†† Hydraulic: Y35, Y39 with U4CET Die Set	Non-Ratchet: MY28-6†† Hydraulic: Y35, Y39 with U2CET Die Set	Non-Ratchet: MY28-6†† Hydraulic: Y35, Y39 with U1CET Die Set	Non-Ratchet: MY28-6†† Hydraulic: Y35, Y39 with U25ET Die Set	Non-Ratchet: MY28-6†† Hydraulic: Y35, Y39 with U26ET Die Set

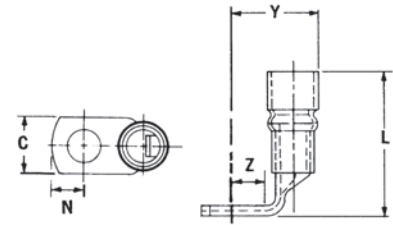
†† BMY BNCH-MT bench mount adapter available.

TYPE YAEV-RH

INSULUG™

Nylon-Insulated
Right-Angle Terminals

Designed to Accommodate Larger
Conductor Insulation Diameters



B-25

Factory formed right angle INSULUG™ connectors made of seamless pure copper tubing. These rugged terminals withstand the most severe applications. Inspection hole in barrel permits visual check of wire insertion. Tin plated to resist corrosion. Meets requirements of SAE-AS7928.

NOTE: Field bending straight lugs to achieve an angular connection will void UL Listing / CSA Certifications and BURNDY will not be liable for the connection.

Catalog Number	Wire Range	Stud Size	N	C	Z Min.	Y Max.	L Max.	Installation Tooling			Wire Strip Length
								HYTOOL™	HYPRESS™ Y29NC, Y29BH		
									Nest	Indentor	
YAEV8C-RH	8	8-10	0.20	0.41	0.25	0.87	1.38	A	DEV8L	Y29PLE-1	7/16"
YAEV8C-RH1	Max. Insul. Dia.: .30" Sleeve Color: Red	1/4	0.25	0.41	0.28	0.90	1.38				
YAEV6C-RH1	6	8-10	0.25	0.50	0.28	0.97	1.43	B	DEV6L	Y29PLE-1	1/2"
YAEV6C-RH	Max. Insul. Dia.: .38" Sleeve Color: Blue	1/4	0.25	0.50	0.28	0.97	1.43				
YAEV4C-RH	4	1/4	0.25	0.53	0.28	1.04	1.53	C	DEV4L	Y29PLE-1	1/2"
YAEV4C-RH2	Max. Insul. Dia.: .44" Sleeve Color: Yellow	3/8	0.31	0.62	0.34	1.11	1.53				
YAEV2C-RH1	2	1/4	0.33	0.67	0.34	1.22	1.88	D	DEV2L	Y29PLE	5/8"
YAEV2C-RH	Max. Insul. Dia.: .52" Sleeve Color: White	3/8	0.33	0.67	0.34	1.22	1.88				
YAEV1C-RH2	1	5/16	0.33	0.73	0.34	1.32	1.99	E	DV26L	Y29PLE	5/18"
YAEV1C-RH	Max. Insul. Dia.: .52" Sleeve Color: White	3/8	0.33	0.73	0.34	1.32	1.99				
YAEV25-RH	1/0	3/8	0.39	0.81	0.44	1.50	2.29	F	DEV25L	Y29PLE	11/16"
YAEV26-RH	2/0	3/8	0.39	0.92	0.47	1.60	2.42	G	DEV26L	Y29PLE	13/16"

A	B	C	D	E	F	G
Ratchet: M8ND with N8CET-2 Die Non-Ratchet: MY28-6†† Hydraulic: Y35, Y39 with U6CET Die Set	Non-Ratchet: MY28-6†† Hydraulic: Y35, Y39 with U6CET Die Set	Non-Ratchet: MY28-6†† Hydraulic: Y35, Y39 with U4CET Die Set	Non-Ratchet: MY28-6†† Hydraulic: Y35, Y39 with U2CET Die Set	Non-Ratchet: MY28-6†† Hydraulic: Y35, Y39 with U1CET Die Set	Non-Ratchet: MY28-6†† Hydraulic: Y35, Y39 with U25ET Die Set	Non-Ratchet: MY28-6†† Hydraulic: Y35, Y39 with U26ET Die Set

†† BMY BNCH-MT bench mount adapter available.

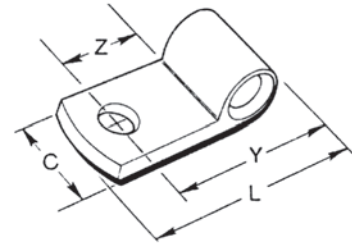
TYPE YBM

B-26

HYLUG™

Flag-Type Ring-Tongue Terminals

Made of pure electrolytic copper for maximum conductivity and ductility. Seamless extrusion tin plated to resist corrosion.



NOTE: Field bending straight lugs to achieve an angular connection will void UL Listing / CSA Certifications and BURNDY will not be liable for the connection.

Catalog* Number	Wire Range		Stud Size	Dimensions in Inches				** HYTOOL™	**Installation Tooling		Wire Strip Length
	Flex	Code		C	Z Min.	Y Approx.	L Max.		HYPRESS™ Y29NC, Y29B		
									Nest	Indentor	
YBM8C	8	8	8-10	0.47	0.33	0.59	1.01	MY28	DV8B	Y29PBL	7/16"
YBM8C-T2	Class I, K, DLO (37/24)		1/4	0.53	0.36	0.62	1.07				1/2"
YBM8CT4	MIL-W-5086		3/8	0.66	0.42	0.68	1.19				9/16"
YBM6C-L9	6	6	8-10	0.53	0.36	0.64	1.09		DV6BL-1	Y29PBL	1/2"
YBM6C-L	Class I, DLO (81/24)		1/4	0.53	0.36	0.64	1.12				9/16"
YBM6C-L2	MIL-W-5086		5/16	0.59	0.42	0.70	1.21				5/8"
YBM6C-L3			3/8	0.66	0.42	0.70	1.24				
YBM4C-L4	4	4	8-10	0.53	0.36	0.69	1.18		DV4BL	Y29PBL	1/2"
YBM4C-L	Class I, DLO (105/24)		1/4	0.53	0.36	0.69	1.21				9/16"
YBM4C-L1	MIL-W-5086		5/16	0.59	0.42	0.75	1.3				5/8"
YBM4C-L2			3/8	0.66	0.42	0.75	1.33				
YBM2C-L1	2	2	1/4	0.66	0.36	0.73	1.28		DV2BL	Y29PL	5/8"
YBM2C-L2	Class I, DLO (150/24)		5/16	0.66	0.42	0.79	1.38	1"			
YBM2C-L	MIL-W-5086		3/8	0.66	0.42	0.79	1.35				
YBM1C-L3	1	1	1/2	0.91	0.61	1.00	1.78	DV1BL		5/8"	
YBM1C-L	Class I, DLO (225/24)		3/8	0.66	0.49	0.88	1.53				
YBM25-L1	1/0	—	1/4	0.72	0.42	0.86	1.49	DV25BL-1	Y29PR	3/4"	
YBM25-L2	Class I, DLO (275/24)		5/16	0.72	0.45	0.88	1.56				
YBM25-L	MIL-W-5086		3/8	0.72	0.49	0.92	1.62				
YBM26-L	2/0	—	3/8	0.84	0.49	0.98	1.71	DV26L	Y29PR	13/16"	
	Class I, DLO (325/24)										
YBM28-1/4	4/0	—	1/4	0.95	0.72	1.66	2.06	DV28L		1"	
	Class I, DLO (550/24)										
	MIL-W-5086										

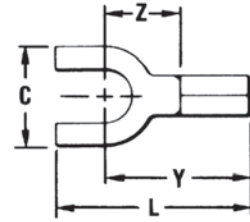
* Lead Plated available, contact factory.

** See top illustration for recommended connector insertion into tools.

TYPE T-F AND YAD-F

HYLUG™

Uninsulated Compression Terminal,
Fork Tongue



B-27

Type T-F is constructed in the same manner as the type "T" and employs a fork tongue. The fork permits rapid installation of the terminal under a screw head without completely removing the screw. Two or more terminals may be stacked easily on a common stud.

Features & Benefits

- Fork tongue design.
◊ Faster installation-screw needs only to be loosened for termination.



NOTE: Field bending straight lugs to achieve an angular connection will void UL Listing / CSA Certifications and BURNDY will not be liable for the connection.

Catalog Number	Wire Range	Stud Size	C	L Max	Y Max	Z Min	Bulk Catalog Number	Installation Tooling	Wire Strip Length
T18-6F	22 AWG-18 AWG	#4 - #6	0.28	0.68	0.55	0.25	YAD186F	Non-Ratchet: Y10D, Y10-22 Ratchet: MRE1022B, MR8G98, Y8MRB-1, MR20	9/32
T18-8F		#6 - #8	0.31	0.74	0.57	0.27	YAD188F		
T18-10F		#8 - #10	0.37	0.74	0.58	0.29	YAD1810F		
T18-14F		1/4	0.47	0.92	0.69	0.39	YAD1814F		
T14-6F	20 AWG-14 AWG	#4 - #6	0.28	0.68	0.55	0.25	YAD146F	Non-Ratchet: Y10D, Y10-22 Ratchet: MRE1022B, MR8G98, Y8MRB-1, MR20	9/32
T14-8F		#6 - #8	0.31	0.74	0.57	0.27	YAD148F		
T14-10F		#8 - #10	0.37	0.74	0.58	0.29	YAD1410F		
T14-14F		1/4	0.47	0.92	0.69	0.39	YAD1414F		
T10-6F	14 AWG-10 AWG (Str.) 12 AWG-10 AWG (Sol.)	#4 - #6	0.28	0.74	0.61	0.25	YAD106F	Non-Ratchet: Y10D, Y10-22 Ratchet: MRE1022B, MR8G98, Y8MRB-1, MR20	11/32
T10-8F		#6 - #8	0.31	0.80	0.63	0.27	YAD108F		
T10-10F		#8 - #10	0.41	0.87	0.68	0.32	YAD1010F		
T10-14F		1/4	0.50	1.00	0.75	0.39	YAD1014F		

TYPES TP-F AND BA-EF

B-28

VINYLUG™

Terminal - Polyvinylchloride Insulated, Fork Tongue

600 Volts Max., 105° C Max.

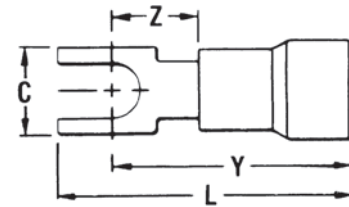
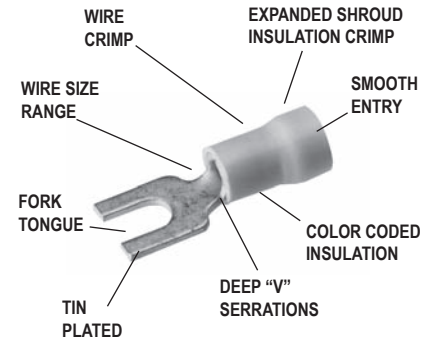
The Type TP-F is a fork tongue variation of the TP design and makes installation easier.



NOTE: Field bending straight lugs to achieve an angular connection will void UL Listing / CSA Certifications and BURNDY will not be liable for the connection.

Features & Benefits

- Fork tongue design
- ◇ Faster installation-screw needs only to be loosened for termination



Catalog Number	Wire Range	Stud Size	Dimensions				Bulk Catalog Number*	Installation Tooling	Tape Mounted Catalog Number 2000/Reel	Installation Tooling	Wire Strip Length
			C	L. Max	Y Max.	Z Min.					
TP16-2F	22 - 16 Max. Insul. Dia. Accom.: 0.15 Color Code: Red	#1-#2	0.17	0.75	0.66	0.23	BA16EF2	Plier Type: Y10-22 Ratchet Tool: MRE1022NV MR8-89-1	BA16EF2M	TFM with DFM3D-1 Die	13/64"
TP16-6F		#4-#6	0.28	0.80	0.66	0.23			BA16EF6M		
TP16-8F		#6-#8	0.31	0.86	0.69	0.26			BA16EF8M		
TP16-10F		#8-#10	0.41	0.95	0.75	0.31			BA16EF10M		
TP14-2F	16 - 14 Max. Insul. Dia. Accom.: 0.18 Color Code: Blue	#1-#2	0.17	0.75	0.66	0.23	BA14EF2	Plier Type: Y10-22 Ratchet Tool: MRE1022NV MR8-89-1	—	TFM with DFM2D-1 Die	13/64"
TP14-6F		#3-#6	0.28	0.80	0.66	0.23			—		
TP14-8F		#6-#8	0.31	0.86	0.69	0.26			BA14EF8M		
TP14-10F		#8-#10	0.41	0.95	0.75	0.31			BA14EF10M		
TP10-6F	12 - 10 Max. Insul. Dia. Accom.: 0.26 Color Code: Yellow	#3-#6	0.28	0.95	0.81	0.26	BA10EF6	MRE1022NV, MR15, M8ND with N10ET-23	*BA10EF6M	TFM with DFM1D5 Die	19/64"
TP10-8F		#6-#8	0.31	0.98	0.81	0.26			*BA10EF8M		
TP10-10F		#8-#10	0.41	1.07	0.87	0.31			*BA10EF10M		

* UL Listed and CSA Certified with MR8-89-1 and MR15 only
* 1000/Box



MRE1022NV Ergonomic Hand Tool perfect for use with the TP-F; suitable for most nylon and vinyl insulated small terminals. MRE1022B is designed for use with bare (uninsulated) terminals. Part of the BURNDY Engineered System of coordinating connectors, tools and dies for a quality, reliable, repeatable connection.

See the Tooling section for more information on this and other BURNDY Tools.

TYPES TN-F AND YAES-F

INSULUG™

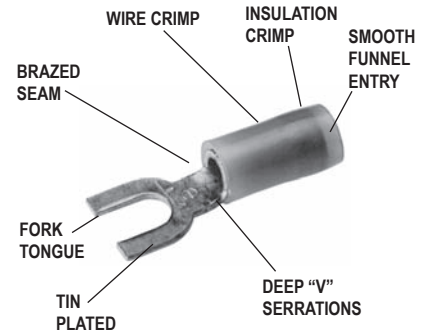
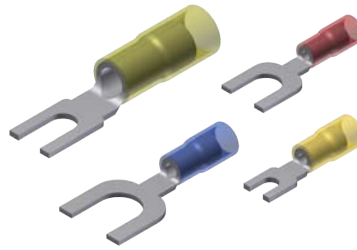
Terminal - Nylon Insulated,
Fork Tongue

600 Volts Max., 105° C Max.

The type TN-F, nylon insulated fork tongue terminal has the same high quality as the TN. It is designed to meet the heavy-duty requirements of industrial and utility applications.

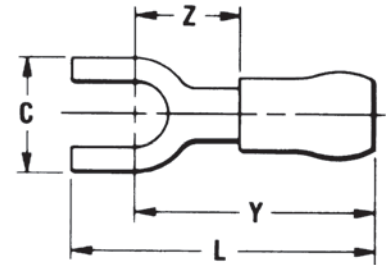
Used on both power and control circuits for wire sizes #26 AWG through #10 AWG. The TN-F provides high dielectric strength and stability in oily conditions.

The TN-F is identical to the TN with the addition of a fork tongue which allows installation without complete removal of its supporting screw.



Features & Benefits

- Fork tongue
 - ◇ Provides faster and easier installation by permitting insertion under the screw head without completely removing it.



NOTE: Field bending straight lugs to achieve an angular connection will void UL Listing / CSA Certifications and BURNDY will not be liable for the connection.

Catalog Number	Wire Range	Stud Size	Dimensions				Bulk Catalog Number	Installation Tooling	Wire Strip Length
			C	L Max.	Y Max.	Z Min.			
TN20-2F*	26-20 Max. Insul. Dia. Accom.: 0.10 Color Code: Amber	#1 -#2	0.18	0.76	0.65	0.24	—	M8ND with N14HET-25V1 Die Set	3/16"
TN20-6F*		#4 -#6	0.28	0.80	0.70	0.28	—		
TN184F*	22-18 Max. Insul. Dia. Accom.: 0.12 Color Code: Red	#3 -#4	0.23	0.75	0.65	0.24	—	Non-Ratchet: Y10D Y1022 Ratchet: MRE1022NV MR8-83** MR18	7/32"
TN18-6F		#4 - #6	0.28	0.79	0.65	0.24	YAES18N1F		
TN18-8F		#6 -#8	0.31	0.84	0.67	0.26	YAES18N49F		
TN18-10F		#8 -#10	0.37	0.84	0.68	0.27	YAES18N3F		
TN18-14F		1/4	0.47	1.03	0.79	0.38	YAES18N50F		
TN14-6F	16-14 Max. Insul. Dia. Accom.: 0.15 Color Code: Blue	#4 - #6	0.28	0.79	0.65	0.24	YAES14N6F	Non-Ratchet: Y10D Y1022 Ratchet: MRE1022NV MR8-83** MR18	7/32"
TN14-8F		#6 -#8	0.31	0.84	0.67	0.26	YAES14N53F		
TN14-10F		#8 -#10	0.37	0.84	0.68	0.27	YAES14N8F		
TN14-14F		1/4	0.47	1.03	0.79	0.38	YAES14N54F		
TN10-6F	12-10 Max. Insul. Dia. Accom.: 0.21 Color Code: Yellow	#4 -#6	0.28	0.96	0.82	0.24	YAES10N11F	Non-Ratchet: Y10D Y1022 Ratchet: MRE1022NV MR8-83** MR18	11/32"
TN10-8F		#6 -#8	0.31	1.01	0.84	0.26	YAES10N56F		
TN10-10F		#8 -#10	0.41	1.09	0.89	0.31	YAES10N12F		
TN10-14F		1/4	0.50	1.21	0.96	0.38	YAES10N57F		

* Not UL Listed or CSA Certified.

** Or other tool conforming to military specification AS25036 or AS90413

TYPES YAE-N-F BOX AND YAE-N-F

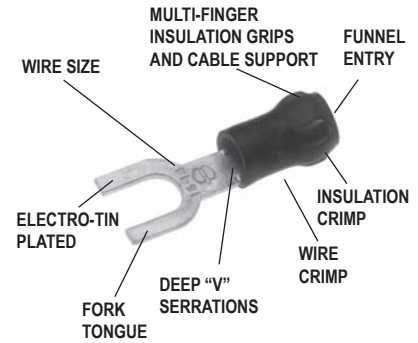
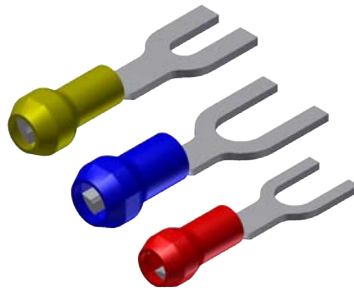
INSULUG™

Terminal - Nylon Insulated, Fork Tongue

Multi-Finger Insulation Grip

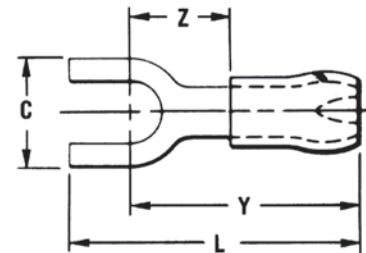
600 Volts Max. 105° C Max.

INSULUG™ type YAE-N-F nylon insulated terminals are designed with a Multi-Finger Insulation grip, are rated 105° C and are supplied with a fork tongue for easy terminal insertion and removal.



Features & Benefits

- Fork tongue
 - ◊ Permits rapid easy installation of the terminal under the screw head without complete removal of the screw



NOTE: Field bending straight lugs to achieve an angular connection will void UL Listing / CSA Certifications and BURNDY will not be liable for the connection.

Catalog Number	Wire Range	Stud Size	Dimensions				Bulk Catalog Number	Installation Tooling**	Tape Mounted Catalog Number 2000/Reel	Installation Tooling	Wire Strip Length
			C	L Max.	Y Max.	Z Min.					
YAE22N65FBOX*	24 - 20 Max. Insul. Dia.: 0.10" Sleeve Color: Amber	#2	0.18	0.73	0.63	0.22	YAE22N65F	Ratchet: M8ND N14HET25V1 Die	YAE22N65FM	TFM with DFM11D1 Die	5/32"
YAE22N66FBOX*		#4 - #6	0.28	0.80	0.67	0.27	YAE22N66F		YAE22N66FM		
YAE18N60FBOX*	22 - 16 Max. Insul. Dia.: 0.13" Sleeve Color: Red	#4	0.21	0.92	0.73	0.24	YAE18N60F	Non-Ratchet: Y10D, Y1022 Ratchet: MRE1022NV, MR8-33T-1, M8ND with one of the following dies: N14HET-25V1, N10ET-9, N14HET-15, N10ET-23	YAE18N60FM	TFM with DFM10D1 Die	3/16"
YAE18G43FBOX		#4 - #6	0.25	0.78	0.68	0.18	YAE18G43F		YAE18G43FM		
YAE18N56FBOX†		#4 - #6	0.28	0.82	0.71	0.21	YAE18N56F		—		
YAE18N57FBOX		#6 - #8	0.31	0.96	0.77	0.28	YAE18N57F		YAE18N57FM		
YAE18N58FBOX		#8	0.36	1.02	0.82	0.33	—		—		
YAE14N76FBOX	16 - 14 Max. Insul. Dia.: 0.16" Sleeve Color: Blue	#4 - #6	0.28	0.85	0.74	0.25	YAE14N76F	Non-Ratchet: Y10D, Y1022 Ratchet: MR8-33T-1, M8ND with one of the following dies: N14HET-25V1, N10ET-9, N14HET-15, N10ET-23	—	TFM with DFM9D1 Die	3/16"
YAE14N77FBOX		#6 - #8	0.31	0.96	0.77	0.29	YAE14N77F		YAE14N77FM		
YAE14N78FBOX		#8 - #10	0.36	1.01	0.79	0.20	YAE14N78F		YAE14N78FM		
YAE10N80FBOX*	12 - 10	#4 - #6	0.35	1.02	0.67	0.29	—	Non-Ratchet: Y10D, Y10-22 Ratchet: MRE1022NV, MR8-33-T1, M8ND with one of the following dies: N14HET25V1, N10ET-9, N14HET-15, N10ET-23	—	—	3/8"
YAE10N81FBOX*		#6 - #8	0.35	1.02	0.67	0.29	—		—		
YAE10N82FBOX*		#10 - #9	0.37	1.02	0.65	0.29	—		—		
YAE10N83FBOX		1/4	0.50	1.20	0.70	0.29	—		—		

* Not UL Listed or CSA Certified.

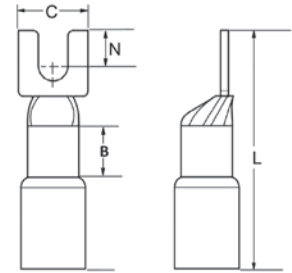
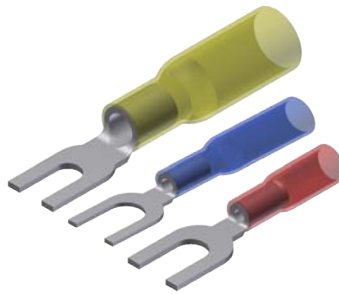
† Not UL Listed; is CSA Certified.

** For UL Listed applications, consult BURNDY® factory.

TYPE YHSA-F

HYDENT™ HEAT SHRINK
FORK TONGUE TERMINALS

For Use on Copper Conductor



B-31

Standard crimp terminals leave the wire exposed allowing in moisture or other contaminants which can result in corrosion. Corrosion reduces the amount of current the wire can carry safely. The integrity of the electrical system can be compromised when unsealed electrical connections are utilized. Heat shrink terminals provide a durable seal blocking out contaminants ensuring a better connection.

Features & Benefits

- Made from pure copper, annealed for maximum strength
- Color-coded, imprinted with wire size
- Serrated barrels offer maximum wire contact and tensile strength
- Electro tin plated for corrosion resistance
- Wire Strip Length 5/16"

NOTE: Field bending straight lugs to achieve an angular connection will void UL Listing / CSA Certifications and BURNDY will not be liable for the connection.

Catalog No. (100/bag)	Catalog No. (20/bag)	Stud Size	Conductor Size	Dimensions				Tongue Thickness	Installation Tooling	Wire Strip Length
				B	C	L	N			
YHSA18K6F	YHSA18K6FRK	4-6	22-18 AWG	0.22	0.25	1.17	0.32	0.04	MR22	5/16
YHSA18K8F	YHSA18K8FRK	6-8			0.32	1.17	0.32	0.04		
YHSA18K10F	YHSA18K10FRK	8-10			0.31	1.18	0.27	0.03		
YHSA14K6F	YHSA14K6FRK	4-6	16-14 AWG	0.22	0.25	1.17	0.30	0.04	MR22	5/16
YHSA14K8F	YHSA14K8FRK	6-8			0.34	1.17	0.30	0.04		
YHSA14K10F	YHSA14K10FRK	8-10			0.34	1.17	0.27	0.03		
YHSA14K14FRK	—	1/4			0.50	1.17	0.30	0.04		
YHSA10K6F	—	4-6	12-10 AWG	0.22	0.35	1.17	0.29	0.04	MR22	5/16
YHSA10K8F	YHSA10K8FRK	6-8			0.35	1.17	0.29	0.04		
YHSA10K10F	YHSA10K10FRK	8-10			0.37	1.16	0.27	0.04		
YHSA10K14FRK	—	1/4			0.50	1.17	0.30	0.04		

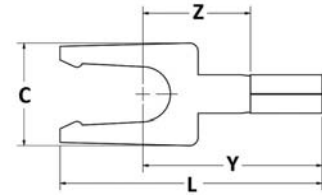
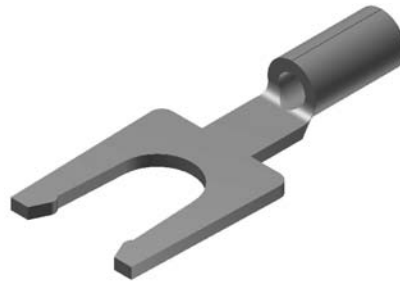
TYPE T-LF

B-32

HYLUG™

Uninsulated Compression Terminal Locking Fork Tongue

Type T-LF employs a locking fork tongue for fast installation and security.



Features & Benefits

- Locking fork tongue design allows fast installation - screw only has to be loosened for termination
- Internal configuration of the fork prevents the terminal from coming off the screw without applying a pulling force
- Locking fork is made from a copper alloy; permits many installations while maintaining proper spring retention of forks

NOTE: Field bending straight lugs to achieve an angular connection will void UL Listing / CSA Certifications and BURNDY will not be liable for the connection.

Catalog Number	Wire Range	Stud Size	C	L	Y	Z	Installation Tooling	Wire Strip Length
T166LF	22 - 16 AWG	#4 - #6	0.25	0.83	0.54	0.32	MRE1022B MR8G98 Y8MRB-1 MR20 Y10D Y10-22	9/32
T168LF		#6 - #8	0.31	0.83	0.57	0.32		
T1610LF		#8 - #10	0.31	0.83	0.63	0.32		
T146LF	16 - 14 AWG	#4 - #6	0.25	0.81	0.54	0.30	MRE1022B MR8G98 Y8MRB-1 MR20 Y10D Y10-22	9/32
T148LF		#6 - #8	0.30	0.83	0.57	0.30		
T1410LF		#8 - #10	0.32	0.83	0.63	0.30		
T106LF	12 - 10 AWG	#4 - #6	0.30	0.90	0.54	0.29	MRE1022B MR8G98 Y8MRB-1 MR20 Y10D Y10-22	11/32
T108LF		#6 - #8	0.33	0.90	0.57	0.29		
T1010LF		#8 - #10	0.35	0.90	0.63	0.29		

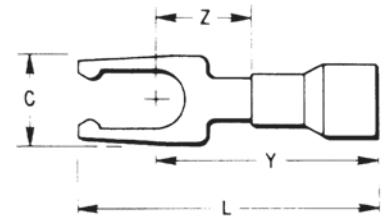
TYPE TP-LF AND BA-EL

VINYLUG™

Terminal - Polyvinylchloride Insulated,
Locking Fork Tongue

600 Volts Max., 105° C Max.

Type TP-LF is a variation of the Type TP design and employs a locking fork tongue for fast installation and security.



B-33

Features & Benefits

- Locking fork tongue design
 - ◇ Allows fast installation-screw only has to be loosened for termination.
- Internal configuration of the fork
 - ◇ Prevents the terminal from coming off the screw without applying a pulling force.
- Locking fork is made from a copper alloy
 - ◇ Permits many installations while maintaining proper spring retention of forks.

NOTE: Field bending straight lugs to achieve an angular connection will void UL Listing / CSA Certifications and BURNDY will not be liable for the connection.

Catalog Number	Wire Range	Stud Size	Dimensions				Bulk Catalog Number .	Installation Tooling	Tape Mounted Catalog Number 2000/ Reel	Installation Tooling for tape mounted	Wire Strip Length
			C	L. Max	Y Max.	Z Min.					
TP16-6LF	22 - 16 Max. Insul. Dia. Accom.: 0.15 Color Code: Red	#4 - #6	0.28	0.80	0.66	0.23	BA16EL6	Plier Type: Y10-22	BA16EL6M	TFM with DFM3D-1 Die	13/64
TP16-8LF		#6 - #8	0.31	0.86	0.69	0.26	BA16EL8		BA16EL8M		13/64
TP16-10LF		#8 - #10	0.41	0.95	0.75	0.31	BA16EL10	Ratchet Tool: MRE1022NV MR8-89-1 MR15	BA16EL10M		13/64
TP14-6LF	16 - 14 Max. Insul. Dia. Accom.: 0.18 Color Code: Blue	#4 - #6	0.28	0.80	0.66	0.23	BA14E6L	Plier Type: Y10-22	BA14E6LM	TFM with DFM2D1 Die	13/64
TP14-8LF		#6 - #8	0.31	0.86	0.69	0.26	BA14EL8		BA14EL8M		13/64
TP14-10LF		#8 - #10	0.41	0.95	0.75	0.31	BA14EL10	Ratchet Tool: MRE1022NV MR8-89-1 MR15	BA14EL10M		13/64
TP10-6LF	12 - 10 Max. Insul. Dia. Accom.: 0.26 Color Code: Yellow	#4 - #6	0.28	0.95	0.81	0.26	BA10EL6	Plier Type: Y10-22	* BA10EL6M	TFM with DFM1D5 Die	19/64
TP10-8LF		#6 - #8	0.31	0.98	0.81	0.26	BA10EL8		* BA10EL8M		19/64
TP10-10LF		#8 - #10	0.41	1.07	0.87	0.31	BA10EL10	Ratchet Tool: MR8-89-1 MR15	* BA10EL10M		19/64

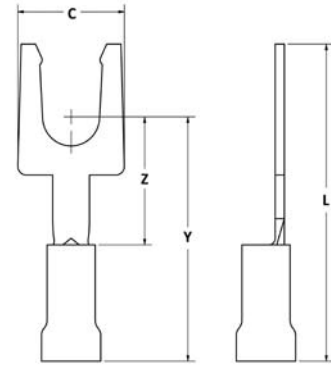
• UL Listed and CSA Certified with MR8-89-1 and MR15.
* 1000/Reel.

TYPE TN-LF

B-34

INSULUG™

Terminal - Nylon Insulated,
Locking Fork Tongue
300 Volts Max., 105° C Max.



The Type TN-LF, nylon insulated fork tongue terminal has the same high quality as the TN. It is designed to meet the heavy-duty requirements of industrial and utility applications.

Used on both power and control circuits for wire sizes #26 AWG through #10 AWG. The TN-LF provides high dielectric strength and stability in oily conditions.

The TN-LF is identical to the TN with the addition of a fork tongue which allows installation without complete removal of its supporting screw.

Features & Benefits

- Locking fork tongue design
 - ◇ Allows fast installation-screw only has to be loosened for termination
- Internal configuration of the fork
 - ◇ Prevents the terminal from coming off the screw without applying a pulling force
- Locking fork is made from a copper alloy
 - ◇ Permits many installations while maintaining proper spring retention of forks

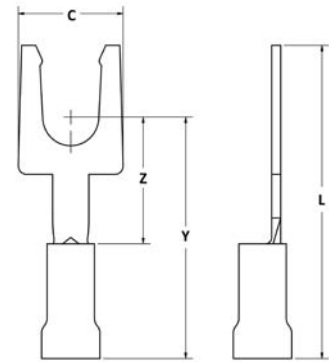
NOTE: Field bending straight lugs to achieve an angular connection will void UL Listing / CSA Certifications and BURNDY will not be liable for the connection.

Catalog Number	Wire Range	Stud Size	Dimensions				Installation Tooling	Wire Strip Length
			C	L Max.	Y Max.	Z Min.		
TN18-6LF	22 - 18 Max. Insul. Dia. Accom: 0.145 Color Code: Red	4-6	0.25	0.95	0.66	0.32	MRE1022NV, MR8-83, Y10D, Y1022	7/32
TN18-8LF		6-8	0.31	0.95	0.69	0.32		
TN18-10LF		8-10	0.31	0.95	0.75	0.32		
TN14-6LF	16 - 14 Max. Insul. Dia. Accom: 0.180 Color Code: Blue	4-6	0.25	0.93	0.66	0.30	MRE1022NV, MR8-83, Y10D, Y1022	7/32
TN14-8LF		6-8	0.30	0.95	0.69	0.30		
TN14-10LF		8-10	0.32	0.95	0.75	0.30		
TN10-6LF	12 - 10 Max. Insul. Dia. Accom: 0.260 Color Code: Yellow	4-6	0.30	1.02	0.66	0.29	MRE1022NV, MR8-83, Y10D, Y1022	11/32
TN10-8LF		6-8	0.33	1.02	0.69	0.29		
TN10-10LF		8-10	0.35	1.02	0.75	0.29		

TYPE YAE-N-LF

INSULUG™

Terminal - Nylon Insulated,
Locking Fork Tongue
300 Volts Max., 105° C Max.



B-35

The YAE-N-LF Locking Fork is nylon insulated with an insulation grip and accepts a 22-10 AWG wire. The spring-like tongue locks into place around the stud even when the mount screw is not tightened.

Features & Benefits

- Locking Fork Tongue
- Rapid easy installation of terminal without complete removal of screw

NOTE: Field bending straight lugs to achieve an angular connection will void UL Listing / CSA Certifications and BURNDY will not be liable for the connection.

Catalog Number	Wire Range	Stud Size	Dimensions				Installation Tooling	Wire Strip Length
			C	L Max.	Y Max.	Z Min.		
YAE18N104LFBOX	22 - 18	#4 - #6	0.25	0.95	0.66	0.32	MRE1022NV MR8-83 Y10-22 Y10D	7/32
YAE18N105LFBOX		#6 - #8	0.31	0.95	0.69	0.32		
YAE18N106LFBOX		#8 - #10	0.31	0.95	0.75	0.32		
YAE14N107LFBOX	16 - 14	#4 - #6	0.25	0.93	0.66	0.30	MRE1022NV MR8-83 Y10-22 Y10D	7/32
YAE14N108LFBOX		#6 - #8	0.30	0.95	0.69	0.30		
YAE14N109LFBOX		#8 - #10	0.32	0.95	0.75	0.30		
YAE10N110LFBOX	12 - 10	#4 - #6	0.30	1.02	0.81	0.29	MRE1022NV MR8-83 Y10-22 Y10D	11/32
YAE10N111LFBOX		#6 - #8	0.33	1.02	0.81	0.29		
YAE10N112LFBOX		#8 - #10	0.35	1.02	0.87	0.29		

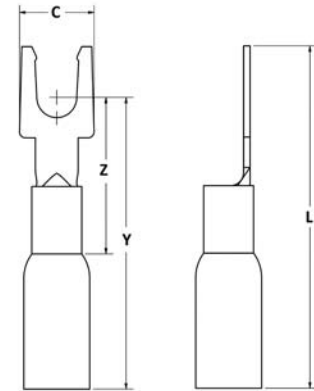
TYPE YHSA-K-LF

B-36

HYDENT™ HEAT SHRINK FORK

For Use on Copper Conductor

Standard crimp terminals leave the wire exposed allowing in moisture or other contaminants which can result in corrosion. Corrosion reduces the amount of current the wire can carry safely. The integrity of the electrical system can be compromised when unsealed electrical connections are utilized. Heat shrink terminals provide a durable seal blocking out contaminants ensuring a better connection.



Features & Benefits

- Made from copper, annealed for maximum strength
- Color-coded, imprinted with wire size
- Serrated barrels offer maximum wire contact and tensile strength
- Electro tin plated for corrosion resistance

NOTE: Field bending straight lugs to achieve an angular connection will void UL Listing / CSA Certifications and BURNDY will not be liable for the connection.

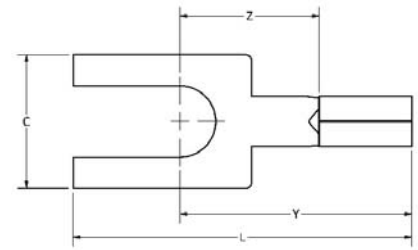
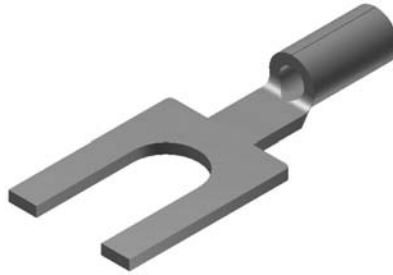
Catalog Number	Wire Range	Stud Size	L	C	Y	Z	Installation Tooling	Wire Strip Length
YHSA18K6LF	22 - 18	#6	1.20	0.25	0.66	0.32	MR22	5/16"
YHSA18K8LF		#8	1.20	0.31	0.69	0.32		
YHSA18K10LF		#10	1.20	0.31	0.75	0.32		
YHSA14K6LF	16 - 14	#6	1.18	0.25	0.66	0.30	MR22	5/16"
YHSA14K8LF		#8	1.20	0.30	0.69	0.30		
YHSA14K10LF		#10	1.20	0.32	0.75	0.30		
YHSA10K6LF	12 - 10	#6	1.27	0.30	0.81	0.29	MR22	5/16"
YHSA10K8LF		#8	1.27	0.33	0.81	0.29		
YHSA10K10LF		#10	1.27	0.35	0.87	0.29		

TYPE T-BF

FINGRIP™

Uninsulated Compression Terminal
Block Fork Tongue

Type T-BF is made from pure electrolytic copper. Electro-tin plated for corrosion resistance. Block spade design, featured squared-off ends.



B-37

Features & Benefits

- Permits rapid, easy installation of the terminal under the screw head without complete removal of the screw

NOTE: Field bending straight lugs to achieve an angular connection will void UL Listing / CSA Certifications and BURNDY will not be liable for the connection.

Catalog Number	Wire Range	Stud Size	C	L	Y	Z	Installation Tooling	Wire Strip Length		
T166BF	22 - 16 AWG	#4 - #6	0.25	0.83	0.20	0.83	MRE1022B MR8G98 Y8MRB-1 MR20 Y10D Y10-22	9/32"		
T168BF		#6 - #8	0.31	0.83	0.20	0.79				
T1610BF		#8 - #10	0.31	0.83	0.20	0.79				
T146BF	16 - 14 AWG	#4 - #6	0.25	0.81	0.18	0.81		MRE1022B MR8G98 Y8MRB-1 MR20 Y10D Y10-22	9/32"	
T148BF		#6 - #8	0.30	0.83	0.18	0.80				
T1410BF		#8 - #10	0.32	0.83	0.18	0.79				
T106BF	12 - 10 AWG	#4 - #6	0.30	0.90	0.17	0.87			MRE1022B MR8G98 Y8MRB-1 MR20 Y10D Y10-22	11/32"
T108BF		#6 - #8	0.33	0.90	0.17	0.86				
T1010BF		#8 - #10	0.35	0.90	0.17	0.85				

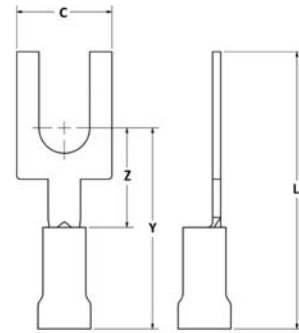
TYPE TP-BF

B-38

INSULUG™

Terminal - Vinyl Insulated,
Block Fork Tongue

Type TP-BF terminals are made from pure electrolytic copper. Electro-tin plated for corrosion resistance and Vinyl insulated. Block spade design features squared off ends.



Features & Benefits

- Permits rapid and easy installation of the terminal under the screw head without complete removal of the screw

NOTE: Field bending straight lugs to achieve an angular connection will void UL Listing / CSA Certifications and BURNDY will not be liable for the connection.

Catalog Number	Wire Range	Stud Size	C	L	Y	Z	Installation Tooling	Wire Strip Length
TP166BF	22 - 16	#4 - #6	0.25	0.95	0.83	0.32	Y10-22 MR8-89-1 MR8-G96 MR15 MRE1022NV	13/64
TP168BF		#6 - #8	0.31	0.95	0.79	0.32		
TP1610BF		#8 - #10	0.31	0.95	0.79	0.32		
TP146BF	16 - 14	#4 - #6	0.25	0.93	0.81	0.30	Y10-22 MR8-89-1 MR8-G96 MR15 MRE1022NV	13/64
TP148BF		#6 - #8	0.30	0.95	0.80	0.30		
TP1410BF		#8 - #10	0.32	0.95	0.79	0.30		
TP106BF	12 - 10	#4 - #6	0.30	1.02	0.87	0.29	Y10-22 MR8-89-1 MR8-G96 MR15 MRE1022NV	19/64
TP108BF		#6 - #8	0.33	1.02	0.86	0.29		
TP1010BF		#8 - #10	0.35	1.02	0.85	0.29		

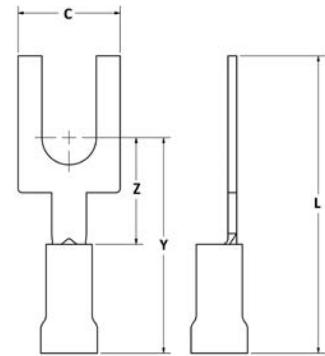
TYPE TN-BF

HYDENT™

Terminal - Nylon Insulated,
Block Fork Tongue

600 Volts Max., 105° C Max.

Type TN-BF terminals are made from pure electrolytic copper. Electro tin plated for corrosion resistance. Block spade design features squared-off ends.



B-39

Features & Benefits

- Permits rapid and easy installation of the terminal under the screw head without complete removal of the screw.

NOTE: Field bending straight lugs to achieve an angular connection will void UL Listing / CSA Certifications and BURNDY will not be liable for the connection.

Catalog Number	Wire Range	Stud Size	C	L	Y	Z	Installation Tooling	Wire Strip Length
TN186BF	22 - 18	#4 - #6	0.25	0.95	0.83	0.32	MRE1022NV MR81A Y10D Y10-22 M8ND with one of the following N14HET25V1, N10ET9, N14ET15, N10ET23	3/16"
TN188BF		#6 - #8	0.31	0.95	0.79	0.32		
TN1810BF		#8 - #10	0.31	0.95	0.79	0.32		
TN146BF	16 - 14	#4 - #6	0.25	0.93	0.81	0.30	MRE1022NV MR81A Y10D Y10-22 M8ND with one of the following N14HET25V1, N10ET9, N14ET15, N10ET23	3/16"
TN148BF		#6 - #8	0.30	0.95	0.80	0.30		
TN1410BF		#8 - #10	0.32	0.95	0.79	0.30		
TN106BF	12 - 10	#4 - #6	0.30	1.02	0.87	0.29	MRE1022NV MR81A Y10D Y10-22 M8ND with one of the following N14HET25V1, N10ET9, N14ET15, N10ET23	3/8"
TN108BF		#6 - #8	0.33	1.02	0.86	0.29		
TN1010BF		#8 - #10	0.35	1.02	0.85	0.29		

TYPE YAE-N-BF

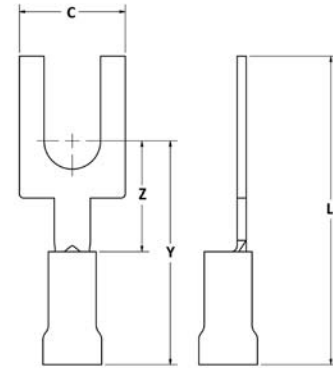
B-40

INSULUG™

Terminal - Nylon Insulated
Block Fork Tongue

600 Volts Max., 105° C Max.

Type YAE-N-BF terminals are a block spade design featuring squared-off ends.



Features & Benefits

- Rapid easy installation of terminal under the screw head without complete removal of the screw

NOTE: Field bending straight lugs to achieve an angular connection will void UL Listing / CSA Certifications and BURNDY will not be liable for the connection.

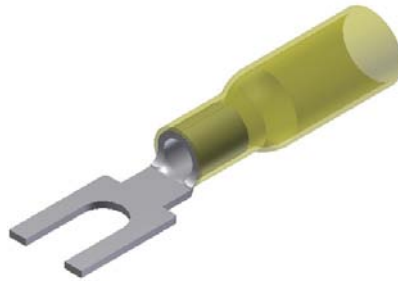
Catalog Number	Wire Range	Stud Size	C	L	Y	Z	Installation Tooling	Wire Strip Length
YAE18N104BFBOX	22 - 18	#4 - #6	0.25	0.95	0.83	0.32	MRE1022NV, MR8-1A, MR8-33T-1, Y10D, Y1022, M8ND with one of the following dies: N14HET-25V1, N10ET-9, N14ET-15, N10ET-23	3/16"
YAE18N105BFBOX	22 - 18	#6 - #8	0.31	0.95	0.79	0.32		
YAE18N106BFBOX	22 - 18	#8 - #10	0.31	0.95	0.79	0.32		
YAE14N107BFBOX	16 - 14	#4 - #6	0.25	0.93	0.81	0.30	MRE1022NV, MR8-1A, MR8-33T-1, Y10D, Y1022, M8ND with one of the following dies: N14HET-25V1, N10ET-9, N14ET-15, N10ET-23	3/16"
YAE14N108BFBOX	16 - 14	#6 - #8	0.30	0.95	0.80	0.30		
YAE14N109BFBOX	16 - 14	#8 - #10	0.32	0.95	0.79	0.30		
YAE10N110BFBOX	12 - 10	#4 - #6	0.30	1.02	0.87	0.29	MRE1022NV, MR8-1A, MR8-33T-1, Y10D, Y1022, M8ND with one of the following dies: N14HET-25V1, N10ET-9, N14ET-15, N10ET-23	3/8"
YAE10N111BFBOX	12 - 10	#6 - #8	0.33	1.02	0.86	0.29		
YAE10N112BFBOX	12 - 10	#8 - #10	0.35	1.02	0.85	0.29		

TYPE YHSA-K-BF

HYDENT™ HEAT SHRINK
BLOCK FORK

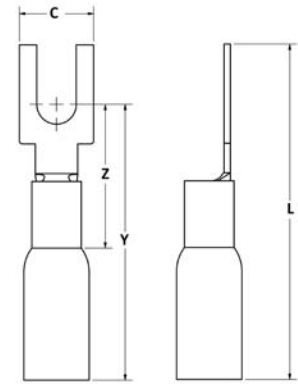
For Use on Copper Conductor

Standard crimp terminals leave the wire exposed allowing in moisture or other contaminants which can result in corrosion. Corrosion reduces the amount of current the wire can carry safely. The integrity of the electrical system can be compromised when unsealed electrical connections are utilized. Heat shrink terminals provide a durable seal blocking out contaminants ensuring a better connection.



Features & Benefits

- Made from copper, annealed for maximum strength
- Color-coded, imprinted with wire size
- Serrated barrels offer maximum wire contact and tensile strength
- Electro tin plated for corrosion resistance



NOTE: Field bending straight lugs to achieve an angular connection will void UL Listing / CSA Certifications and BURNDY will not be liable for the connection.

B-41

Catalog Number	Wire Range	Stud Size	C	L	Y	Z	Tongue Thickness	Installation Tooling	Wire Strip Length
YHSA18K6BF	22 - 18	#4 - #6	0.25	1.20	0.66	0.13	0.04	MR22	5/16"
YHSA18K8BF		#6 - #8	0.31	1.20	0.69	0.16	0.04	MR22	
YHSA18K10BF		#8 - #10	0.31	1.20	0.75	0.16	0.04	MR22	
YHSA14K6BF	16 - 14	#4 - #6	0.25	1.18	0.66	0.13	0.04	MR22	5/16"
YHSA14K8BF		#6 - #8	0.30	1.20	0.69	0.15	0.04	MR22	
YHSA14K10BF		#8 - #10	0.32	1.20	0.75	0.16	0.04	MR22	
YHSA10K10BF	12 - 10	#4 - #6	0.30	1.27	0.87	0.15	0.04	MR22	5/16"
YHSA10K6BF		#6 - #8	0.33	1.27	0.81	0.16	0.04	MR22	
YHSA10K8BF		#8 - #10	0.35	1.27	0.81	0.18	0.04	MR22	

TYPE TP-Z AND BA-EZ

B-42

VINYLUG™

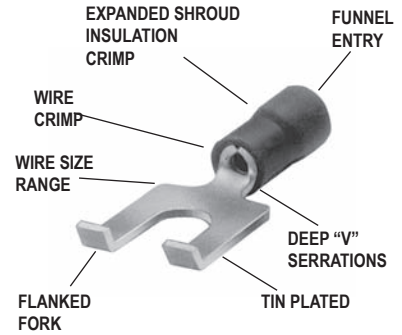
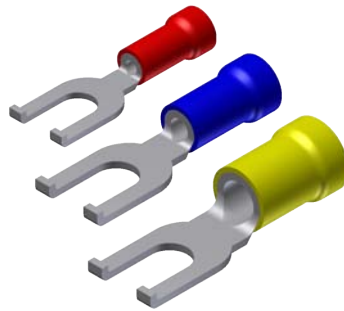
Terminal - Polyvinylchloride Insulated,
Flanged Fork Tongue

600 Volts Max., 105° C Max.

VINYLUG™ Type TP-Z is a variation of the Type TP and employs a flanged fork tongue for fast installation and security.

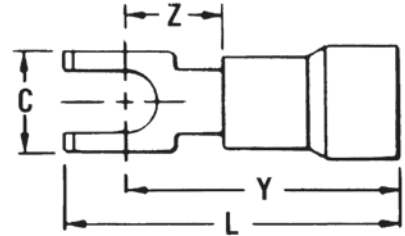


NOTE: Field bending straight lugs to achieve an angular connection will void UL Listing / CSA Certifications and BURNDY will not be liable for the connection.



Features & Benefits

- Flange fork tongue design
 - ◊ Allows fast installation—screw only has to be loosened for termination.
- The flanges on the end of the fork terminal aid in preventing a slightly loose terminal from becoming fully disconnected from the screw
 - ◊ Flanges make re-securing a loose terminal easier.



Catalog Number	Wire Range	Stud Size	Dimensions				Bulk Catalog Number	Installation Tooling	Wire Strip Length
			C	Y Max.	Z Min.	L Max.			
TP16-2Z	22 - 16 Max. Insul. Dia. Accom.: 0.15 Color Code Red	#1 - #2	0.17	0.66	0.23	0.78	BA16EZ2	Plier Type: Y10-22 Ratchet Tool: MRE1022NV MR8-89-1	1/4"
TP16-6Z		#4 - #6	0.28	0.66	0.23	0.83	BA16EZ6		
TP16-8Z		#6 - #8	0.31	0.69	0.26	0.88	BA16EZ8		
TP16-10Z		#8 - #10	0.41	0.75	0.31	0.96	BA16EZ10		
TP14-2Z	16 - 14 Max. Insul. Dia. Accom.: 0.18 Color Code: Blue	#1 - #2	0.17	0.66	0.23	0.78	BA14EZ2	Plier Type: Y10-22 Ratchet Tool: MRE1022NV MR8-89-1	1/4"
TP14-6Z		#4 - #6	0.28	0.66	0.23	0.83	BA14EZ6		
TP14-8Z		#6 - #8	0.31	0.69	0.26	0.88	BA14EZ8		
TP14-10Z		#8 - #10	0.41	0.75	0.31	0.96	BA14EZ10		
TP10-6Z	12 - 10 Max. Insul. Dia. Accom.: 0.26 Color Code: Yellow	#4 - #6	0.28	0.81	0.26	0.99	BA10EZ6	MRE1022NV, MR15, M8ND with N10ET-23	11/32"
TP10-8Z		#6 - #8	0.31	0.81	0.26	1.01	BA10EZ8		
TP10-10Z		#8 - #10	0.41	0.81	0.31	1.09	BA10EZ10		

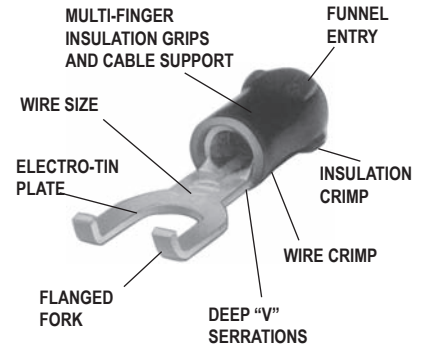
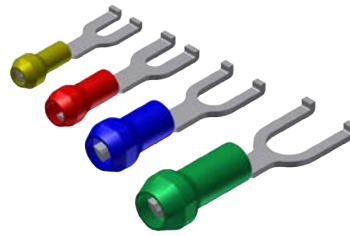
TYPES YAE-Z BOX AND YAE-Z

INSULUG™

Terminal - Nylon Insulated, Flanged Fork, Multi-Finger Insulation Grip

600 Volts Max. 105° C Max.

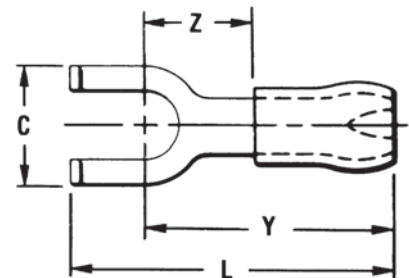
INSULUG™ type YAE-Z is identical to type YAE-N and employs a flanged fork tongue for faster installation while maintaining security if supporting screw becomes loose.



Features & Benefits

- Flanged fork
 - ◇ permits rapid, easy installation of the terminal under the screw head without complete removal of the screw.
 - ◇ Additionally, it may not be removed with only a slight loosening of the screw.

NOTE: Field bending straight lugs to achieve an angular connection will void UL Listing / CSA Certifications and BURNDY will not be liable for the connection.



Catalog Number	Wire Range	Stud Size	Dimensions				Bulk Catalog Number	Installation Tooling	Wire Strip Length
			C	Z Min.	Y Max.	L Max.			
YAE22Z1BOX *	26 - 20 Max. Insul. Dia.: .098" Sleeve Color: Amber	#2	0.18	0.21	0.63	0.75	YAE22Z1	MRE1022NV, MR8-33T-1, M8ND with one of the following dies: N14HET-15, N10ET-9, N10ET-23, N14HET-25V1 Y10D, Y1022	5/32"
YAE22Z2BOX *		#4 - #6	0.28	0.24	0.67	0.83	YAE22Z2		
YAE22Z3BOX *		#6 - #8	0.31	0.28	0.70	0.92	YAE22Z3		
YAE18Z1BOX	22 - 16 Max. Insul. Dia. Accom.: .125" Color Code: Red	#2	0.18	0.21	0.70	0.83	YAE18Z1	MRE1022NV, MR8-33T-1, M8ND with one of the following dies: N14HET-15, N10ET-9, N10ET-23, N14HET-25V1 Y10D, Y1022	3/16"
YAE18Z2BOX		#4 - #6	0.28	0.24	0.74	1.00	YAE18Z2		
YAE18Z3BOX		#6 - #8	0.31	0.28	0.77	1.00	YAE18Z3		
YAE18Z4BOX		#8 - #10	0.36	0.32	0.82	1.08	YAE18Z4		
YAE14Z2BOX	16 - 14 Max. Insul. Dia. Accom.: .156" Color Code: Blue	#4 - #6	0.28	0.25	0.74	0.90	YAE14Z2	MRE1022NV, MR8-33T-1, M8ND with one of the following dies: N14HET-15, N10ET-9, N10ET-23, N14HET-25V1 Y10D, Y1022	3/16"
YAE14Z3BOX		#6 - #8	0.31	0.29	0.77	1.00	YAE14Z3		
YAE14Z4BOX		#8 - #10	0.36	0.33	0.82	1.08	YAE14Z4		
YAE12Z2BOX	14 - 12 Max. Insul. Dia. Accom.: .180" Color Code: Green	#4 - #6	0.28	0.25	0.88	1.04	YAE12Z2	MRE1022NV, MR833T-1, M8ND with N12HET-1 Y10D, Y1022	21/64"
YAE12Z3BOX		#6 - #8	0.31	0.30	0.93	1.16	YAE12Z3		
YAE12Z4BOX		#8 - #10	0.36	0.34	0.97	1.23	YAE12Z4		

* UL Recognized and CSA Certified; Not UL Listed

B-44

TYPES YAV-T-F BOX AND YAV-T-F

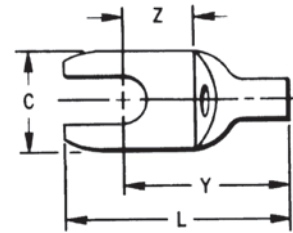
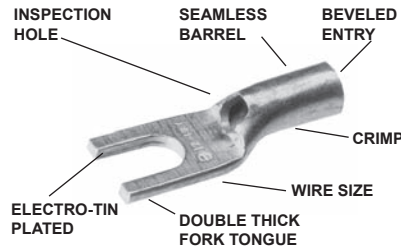
HYLUG™

Seamless Uninsulated Compression Fork Tongue Terminal

The type YAV-T-F HYLUG™ is a seamless heavy duty uninsulated compression fork-tongue terminal manufactured from electrolytic copper for use on copper commercial (code) cable, Type AN aircraft cable and extra flexible conductors.

The seamless design produces a double thick tongue and the seamless barrel provides a strong highly reliable connection.

All the benefits of the Type YAV apply for the same wire sizes.



Features & Benefits

- Fork tongue
 - Allows installation of compression terminal under screw head without complete removal of the screw.

NOTE: Field bending straight lugs to achieve an angular connection will void UL Listing / CSA Certifications and BURNDY will not be liable for the connection.



Catalog Number	Wire Range	Stud Size	C	L	Y	Z	Bulk Catalog Number	Installation Tooling	Wire Strip Length
YAV18-T19FBOX	22-18	#4-#6	0.31	0.84	0.55	0.25	YAV18T19F	Non-Ratchet: Y10D, Y10-22 Ratchet: MR8-G98, MR8-9Q, MR20, Y8MRB-1, MRE10-22B	9/32"
YAV18-T21FBOX	20-18	#8-#10	0.37	0.84	0.55	YAV18T21F			
YAV14-T32FBOX	20-14	#4-#6	0.31	0.84	0.57	YAV14T32F			
YAV14-T34FBOX		#8-#10	0.37	0.82	0.60	YAV14T34F			
YAV10-T21FBOX	12-10	#8-#10	0.36	0.99	0.69	0.26	YAV10T21F	7/16"	
YAV10-T23FBOX		1/4	0.47	1.03	0.75	0.34	YAV10T23F		

**TYPES YAV-H-F BOX,
YAV-H-F AND YAV-Z**

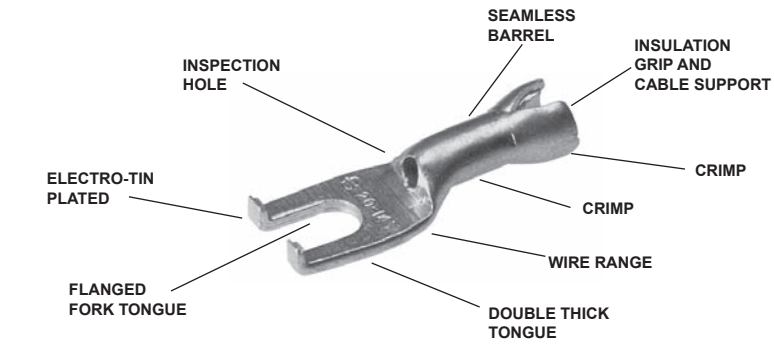
HYLUG™

**Uninsulated Compression
Terminal Fork Tongue With
Seamless Shroud**

The type "YAV-H-F" HYLUG™ is a seamless heavy duty uninsulated compression fork tongue terminal with a shroud for an insulation grip and cable support. Manufactured from electrolytic copper tubing for use on copper commercial (code) cable, Type "AN" aircraft and extra flexible conductors.

The seamless tubing produces a double thick tongue while the seamless barrel design provides a very strong connector for very demanding applications that require highly reliable connections.

In addition to the benefits described for the YAV box series of connectors the YAVH-F Box and YAV-Z terminals provide the following benefits.



Features & Benefits

- Fork tongue
- ◇ Allows installation of compression terminal under screw head without complete removal of the screw thereby lowering installation costs
- Flanged fork tongue
- ◇ Allows installation of compression terminal under screw head without complete removal of the screw plus aids in maintaining the terminal on the stud should the screw loosen slightly

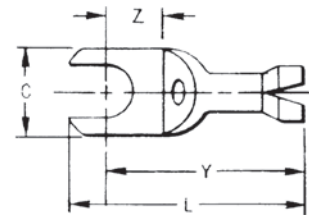


Fig .1

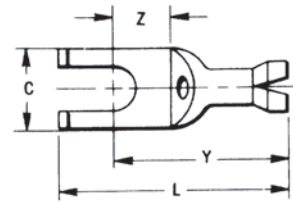


Fig .2

NOTE: Field bending straight lugs to achieve an angular connection will void UL Listing / CSA Certifications and BURNDY will not be liable for the connection.

Catalog Number	Fig.	Wire Range	Stud Size	Max. Insul. Dia. Accom.	C	L Max	Y Max	Z Min	Bulk Catalog #	Installation Tooling	Wire Strip Length
YAV18-H6F BOX	1	22-18	4-6	0.120	0.25	0.89	0.80	0.19	YAV18-H6F	Non-Ratchet: Y10D*, Y14MV, Y10-22* Ratchet: MR8-G98, MR8-9Q, Y8MRB-1*, MR20, and M8ND with N14HT-5 Die or N14HT	1/4"
YAV18-H19F BOX	1		4-6	0.120	0.30	0.97	0.75	0.21	YAV18-H19F		
YAV18-H21F BOX	1		8-10	0.120	0.37	0.97	0.76	0.22	YAV18-H21F		
YAV14-Z5 BOX	2	20-14	4-6	0.150	0.31	0.86	0.69	0.13	YAV14-Z5		
YAV14-H32F BOX	1		4-6	0.150	0.30	0.96	0.78	0.23	YAV14-H32F		
YAV14-H56F BOX	1		6-8	0.150	0.30	0.96	0.78	0.23	YAV14-H56F		
YAV14-H34F BOX	1		8-10	0.150	0.38	0.96	0.78	0.23	YAV14-H34F		
YAV14-HF BOX	1		8-10	0.150	0.31	0.92	0.78	0.23	YAV14-HF		
YAV14-Z6 BOX	2	8-10	0.150	0.37	1.00	0.78	0.21	YAV14-Z6			
YAV10-HF BOX	1	12-10	8-10	0.192	0.38	1.07	0.78	0.24	YAV10-HF	N10HT-24	7/16"

* Crimps conductor crimp only.

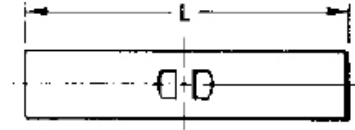
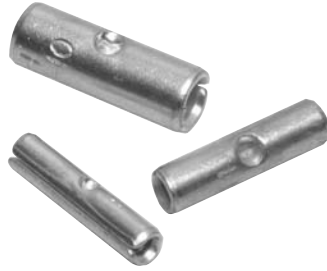
TYPE YSV-B

B-46

HYDENT™

Uninsulated Butt Splice

HYLINK™ type YSV-B rolled splice connector is used to splice stranded and solid copper conductors in virtually all heavy duty industrial and general purpose applications.



Features & Benefits

- Constructed of pure electrolytic copper
- Provides maximum conductivity, low resistance and ductility for excellent crimp forming properties
- Long brazed seam barrel
- Provides optimum conductivity, reliability and holding power after crimping
- Electro-tin plated
- Provides durable long-lasting corrosion resistance

Catalog Number	Wire Range	L	Installation Tooling	Wire Strip Length
YSV18BBOX	22 - 18 AWG	0.62	Y10D Y10-22 MRE1022B Y8MRB-1 MR8-9Q MR8-G98 MR20	1/4"
YSV14BBOX	16 - 14 AWG	0.64		1/4"
YSV10BBOX	12 - 10 AWG	0.75		5/16"

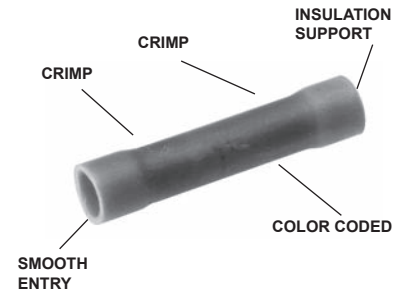
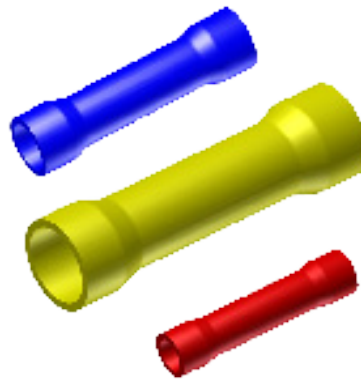
TYPE SP

VINYLINK™

Splice, Polyvinylchloride Insulated

600 Volts Max., 105° C Max.

The Type SP VINYLINK™ is a PVC insulated seamless butt splice. Type SP VINYLINK™ is designed to accommodate a broad range of 600 volt cables.

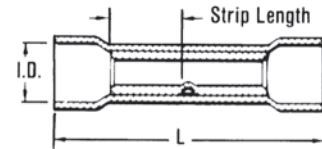


B-47



Features & Benefits

- Manufactured from seamless electrolytic copper tubing
 - ◇ Provides maximum conductivity and tensile strength, in a high quality design with NO seams to split
- Funnel entry
 - ◇ Provides easy wire insertion
- Electro-tin plated
 - ◇ Provides durable long lasting resistance to corrosion



- Expanded insulation support
 - ◇ Lower inventory requirements
- Red wire range of 22-16
 - ◇ Lower inventory requirements
- Vinyl insulator
 - ◇ Economical means of providing high dielectric values and cable insulation support

Catalog Number	Wire Range	Color Code	Bulk Catalog Number	Dimensions (Inches)		Installation Tooling	Wire Strip Length
				L Max.	Max Insul. Dia		
SP16	22 - 16	Red	BS16	1.00	0.15	Non-Ratchet: Y10-22 Ratchet: MRE1022NV MR8G-98 MR15 MR8-89-1	1/4"
SP14	16 - 14	Blue	BS14	1.00	0.18	Non-Ratchet: Y10-22 Ratchet: MRE1022NV MR8G-98 MR15 MR8-89-1	1/4"
SP10	12 - 10	Yellow	BS10	1.23	0.26	Non-Ratchet: Y10-22 Ratchet: MRE1022NV MR8G-98 MR15 MR8-89-1	21/64"

TYPE SN

B-48

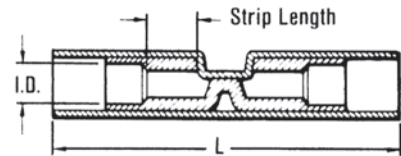
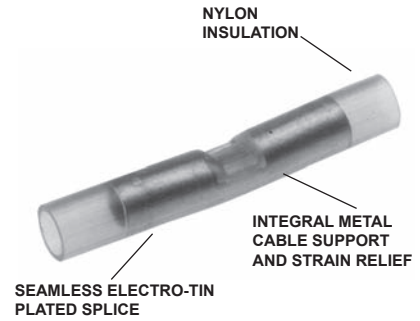
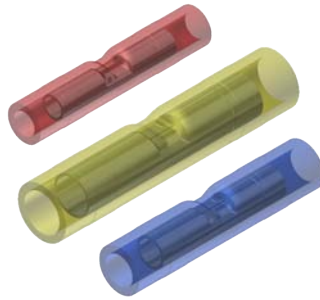
INSULINK™

Butt Splice, Nylon Insulated

600 Volts Max., 105° C Max.

The Type SN INSULINK™ is a high quality nylon-insulated butt splice designed to meet heavy duty application requirements.

Meets the functional requirements of MIL-T-7928 (ASG) and conforms to the requirements of NAS1388.



Features & Benefits

- Manufactured from seamless tubing
 - ◊ A high quality design with no seams to split
- Pure electrolytic copper
 - ◊ Provides maximum conductivity, low resistance and ductility for excellent crimp forming properties
- Electro-tin plated
 - ◊ Provides durable long-lasting resistance to corrosion
- Positive center wire stops
 - ◊ Provides for proper depth of wire insertion
- Color-coded in red, blue and yellow
 - ◊ Provides easy wire size identification
- Manufactured from one-piece tin-plated seamless copper tubing with an integral barrel/insulation grip
 - ◊ Provides maximum tensile strength, plus excellent cable support and strain relief and eliminates failures due to vibration
- Smooth funnel entry
 - ◊ Provides easy wire insertion
- Window position locator for full cycle ratchet tool crimp
 - ◊ Provides proper tool/connector alignment for correct crimp
- Nylon insulation offers high dielectric strength and stability in oily environmental conditions
 - ◊ Maintains a high quality connection in demanding applications
- The nylon is locked into position
 - ◊ The connector will not move

Catalog Number	Wire Range	Color Code	Bulk Catalog Number	L Max.	Max Insul Dia	Installation Tooling	Wire Strip Length
SN18	22 - 18	Red	YSE18HN	1.25	0.12	Plier: Y10D Y1022 Ratchet: MRE1022NV MR8-83 MR18	15/64"
SN14	16 - 14	Blue	YSE14HN	1.25	0.15	Plier: Y10D Y1022 Ratchet: MRE1022NV MR8-83 MR18	7/32"
SN10	12 - 10	Yellow	YSE10HN	1.64	0.22	Plier: Y10D Y1022 Ratchet: MRE1022NV MR8-83 MR18	3/8"

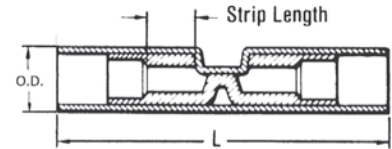
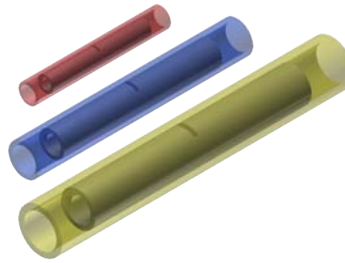
TYPE SN-B

HYDENT™

Butt Splice, Nylon Insulated

600 Volts Max., 105° C Max.

The Type SN-B INSULINK™ is a high quality nylon-insulated butt splice.



B-49

Features & Benefits

- Tin plated copper brazed butt seam
- Smooth funnel entry provides easy wire insertion
- Nylon insulation offers high dielectric strength and stability

Catalog Number	Wire Range	Color Code	L	OD	Installation Tooling	Wire Strip Length
SN18B	22 - 18 AWG	Red	1.25	0.12	Y10D Y1022 MRE1022NV MR8-85	15/64"
SN14B	16 - 14 AWG	Blue	1.25	0.15	Y10D Y1022 MRE1022NV MR8-85	7/32"
SN10B	12 - 10 AWG	Yellow	1.64	0.22	Y10D Y1022 MRE1022NV MR8-85	3/8"

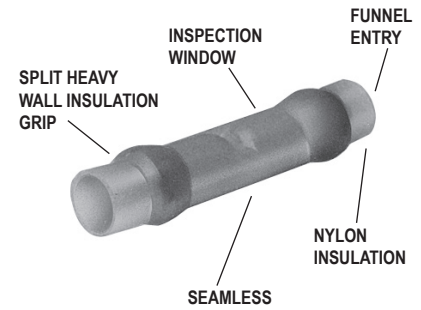
B-50

TYPES YSE BOX, YSE-H BOX

INSULINK™

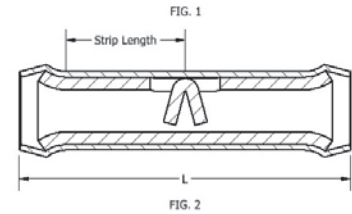
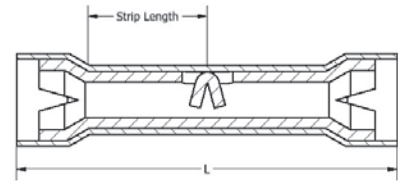
600 Volts Max., 105° C Max.

The Types YSE and YSE-H INSULINK™ splices are high quality nylon insulated designed for splicing aircraft and commercial flexible cables.



Features & Benefits

- Manufactured from tin plated, seamless electrolytic copper tubing with integral barrel/insulation grip
 - ◊ Provides maximum conductivity and tensile strength, plus excellent cable support and strain relief
- Split heavy wall insulation grip
 - ◊ Provides stronger insulation grip and strain relief
- Smooth funnel entry
 - ◊ Provides easy wire insertion
- Transparent nylon insulation
 - ◊ Permits easy wire inspection



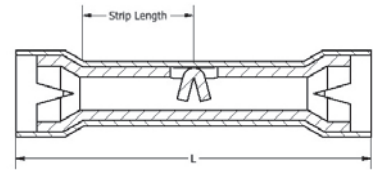
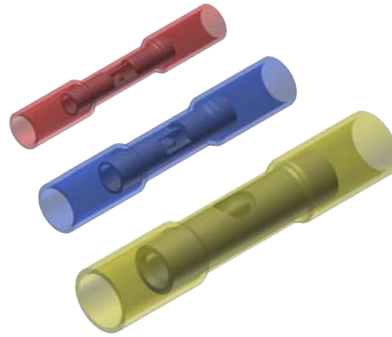
Catalog Number	Figure	Wire Range (Code, AWG, Aircraft, AN)	Color Code	Bulk Catalog Number	L Max.	Max Dia. Insul.	Installation Tooling	Wire Strip Length
YSE18H-BOX	1	22 - 18	Red	YSE18H	1.22	0.12	Y10D Y1022 Ratchet: MRE1022NV MR8-33T-1	9/32"
YSE14H-BOX	1	16 - 14	Blue	YSE14H	1.36	0.15	Y10D Y1022 Ratchet: MRE1022NV MR8-33T-1	11/32"
YSE10-BOX	2	12 - 10	Yellow	YSE10	1.15	0.21	Y10D Y1022 Ratchet: MRE1022NV MR8-33T-1	23/64"

TYPE YSE-HHS

HYDENT™

Heat Shrink Butt Splices

Heat shrink butt connectors are color-coded to industry standard wire range. Heat shrink protects against corrosion.



B-51

Features & Benefits

- Manufactured from tin plated, seamless electrolytic copper tubing with integral barrel.
 - ◇ Provides maximum conductivity and tensile strength, plus excellent cable support and strain relief.
- Smooth funnel entry.
 - ◇ Provides easy wire insertion.
- Transparent heat shrink insulation.
 - ◇ Provides waterproofing and weather resistance.

Catalog Number	Wire Range	L	W	Installation Tooling	Wire Strip Length
YSE18HHS	18 - 22	1.50	0.17	Y10D, Y1022 MR8-33T-1	9/32"
YSE14HHS	16 - 14	1.50	0.20	Y10D, Y1022 MR8-33T-1	11/32"
YSE10HHS	12 - 10	1.60	0.25	Y10D, Y1022 MR8-33T-1	23/64"

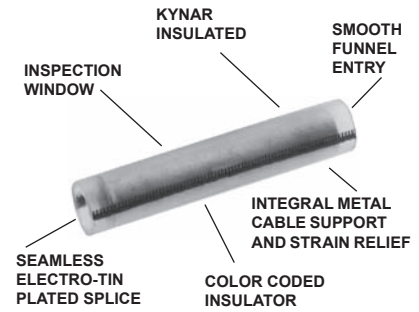
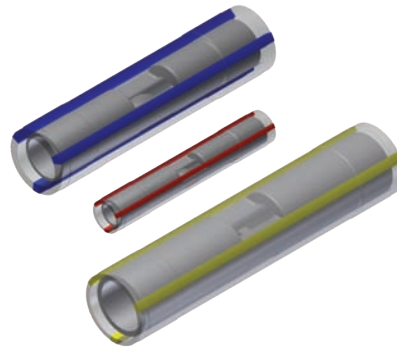
TYPE YSES-K

B-52

INSULINK™

Radiation Resistant Insulated Butt Splice, Polyvinylidene Fluoride (PVF2) Insulated

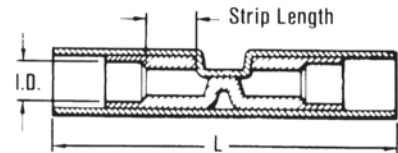
200 Megarads - 60° C
Through 150° C, 600 Volts



The Type YSES-K radiation resistant insulated splices are suitable for class 1E applications plus non critical nuclear associated applications. The splice is manufactured from pure electrolytic copper seamless tubing which eliminates potential splitting of seams. A color code stripe is used for wire size identification and a window is provided for inspection of proper wire insertion.

Features & Benefits

- These insulated splices are suitable for class 1E applications
- Pure electrolytic copper seamless tubing eliminates potential splitting of seams
- Color coded stripe identifies wire size
- Window is provided for inspection of proper wire insertion
- Suitable for 200 Megarads Rated 60°C - 150°C
- 600 Volt rated



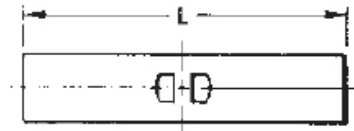
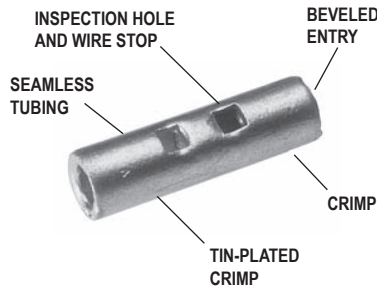
Catalog Number	Wire Range	Color Stripe	Dimension Max. Insul. Dia. Accom.	L Max.	Installation Tooling	Wire Strip Length
YSES18K	22-18	Red	0.11	1.00	Ratchet Tool: MR10G8 Red Groove Calibration Gauge: PG-373-1 Crimp ID Mark: (1) Small Dot	3/16"
YSES14K	16-14	Blue	0.15	1.00	Ratchet Tool: MR10G8 Blue Groove Calibration Gauge: PG-371-1 Crimp ID Mark: (2) Small Dots	3/16"
YSES10K	12-10	Yellow	0.21	1.38	Ratchet Tool: MR10G8 Yellow Groove Calibration Gauge: PG-372-1 Crimp ID Mark: (1) Large Dot	7/16"

TYPE YSV

HYLINK™

Uninsulated Butt Splice

HYLINK™ Type YSV seamless splice connector is used to splice stranded and solid copper conductors in virtually all heavy duty industrial and general purpose applications.



B-53

Features & Benefits

- Manufactured from seamless tubing
 - ◊ A high quality design with no seams to split
- Electrolytic copper
 - ◊ Provides maximum conductivity, low resistance and ductility for excellent crimp forming properties
- Electro-tin plated
 - ◊ Provides durable long lasting resistance to corrosion
- Positive center wire stops
 - ◊ Provides proper depth of wire insertion
- Marked with wire size
 - ◊ Provides easy wire size identification
- The HYLINK™ splice connectors have inspection holes
 - ◊ Provides easy visual inspection for proper wire insertion

Catalog Number	Wire Range	L	Bulk Catalog Number	Installation Tooling	Wire Strip Length
YSV18BOX	22 - 18	0.62	YSV18	Non-Ratchet: Y10D, Y1022 Ratchet: MRE1022B, MR20, Y8MRB-1, MR8-9Q*, MR8-G98	1/4"
YSV14BOX	20 - 14	0.64	YSV14	Non-Ratchet: Y10D, Y1022 Ratchet: MRE1022B, MR20, Y8MRB-1, MR8-9Q*, MR8-G98	1/4"
YSV10BOX	12 - 10	0.75	YSV10	Non-Ratchet: Y10D, Y1022 Ratchet: MRE1022B, MR20, Y8MRB-1, MR8-9Q*, MR8-G98	5/16"

* Remove stop plate.

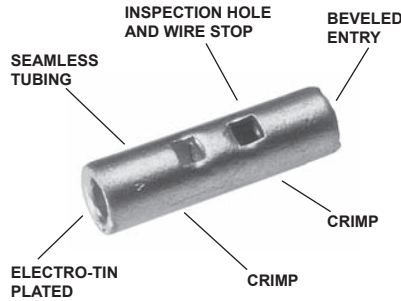
TYPE YSV-L

B-54

HYLINK™

Uninsulated Butt Splice
#8 Through 4/0 Copper

HYLINK™ Type YSV-L seamless splice connector is used to splice Type AN aircraft cables plus commercial stranded and solid AWG conductors. Suitable for aircraft, light duty industrial and general purpose applications.



Features & Benefits

- Manufactured from seamless tubing
 - ◇ A high quality design with no seams to split
- Electrolytic copper
 - ◇ Provides maximum conductivity, low resistance and ductility for excellent crimp forming properties
- Electro-tin plated
 - ◇ Provides durable long lasting resistance to corrosion
 - ◇ Provides proper depth of wire insertion
- Marked with wire size
 - ◇ Provides easy wire size identification
- The HYLINK™ splice connectors have inspection holes
 - ◇ Provides easy visual inspection for proper wire insertion



Catalog Number	Wire Range Aircraft-AN Comm'I-AWG Str. & Sol.	Dimensions L	Bulk Catalog Number	Installation Tooling			Wire Strip Length	
				Ratchet	HYTOOL™ **	HYPRESS™ • Y35, Y35BH, Y39, Y39BH*		
						Nest		Indentor
YSV8C-LBOX	8 AWG	1.00	YSV8CL	MR89Q, Y8MRB-1, Y1MRTC	MY28 (for Type AH Aircraft Cable); All others: MY29-3, MY29-11 1 Crimp	UV8L	Y34PL	7/16"
YSV6C-LBOX	6 AWG	1.12	YSV6CL	Y1MRTC, MR4C		UV6L	Y34PLA	5/8"
YSV4C-LBOX	4 AWG	1.12	YSV4CL	Y1MRTC, MR4C		UV4L	Y34PLA	5/8"
YSV2C-LBOX	2 AWG	1.41	YSV2CL	Y1MRTC		UV2L	Y34PLA	5/8"
YSV1C-LBOX	1 AWG	1.46	YSV1CL	—		UV1L	Y34PLA	5/8"
YSV25-LBOX	1/0 AWG	1.53	YSV25L	—		UV25L	Y34PA	11/16"
YSV26-LBOX	2/0 AWG	1.78	YSV26L	—		UV26L	Y34PA	13/16"
YSV27-LBOX	3/0 AWG	1.81	YSV27L	—		UV27L	Y34PA	13/16"
YSV28-LBOX	4/0 AWG	1.94	YSV28L	—		UV28L	Y34PA	7/8"

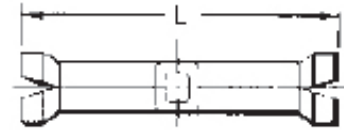
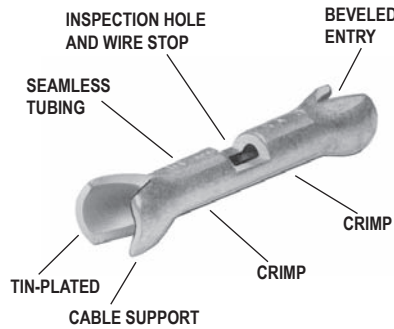
* Remove stop plate
 • Use Y35P3 Indentor Adaptor.
 ** Bench Mount Adaptor - Cat. No. BMY-BCH-MT is available for Type MY HYTOOLS™.

TYPE YSV-H

HYLINK™

Uninsulated Butt Splice with Cable Strain Relief

The Type YSV-H HYLINK™ seamless splice connector has the added benefit of an insulation support and cable strain relief.



B-55



Features & Benefits

- Manufactured from seamless tubing
 - ◇ A high quality design with no seams to split
- Electrolytic copper
 - ◇ Provides maximum conductivity, low resistance and ductility for excellent crimp forming properties
- Electro-tin plated
 - ◇ Provides durable long lasting resistance to corrosion
- Positive center wire stops
 - ◇ Provides proper depth of wire insertion
- Marked with wire size
 - ◇ Provides easy wire size identification
- The HYLINK™ splice connectors have inspection holes
 - ◇ Provides easy visual inspection for proper wire insertion

Catalog Number	Wire Range	L	Bulk Catalog Number	Installation Tooling	Wire Strip Length
YSV18-HBOX	22 - 18	0.89	YSV18H	MRE1022B MR8-9Q* MR8-G98	1/4"
YSV14-HBOX	20 - 14	0.94	YSV14H		1/4"
YSV10-HBOX	12 - 10	1.06	YSV10H		5/16"

* Remove stop plate.

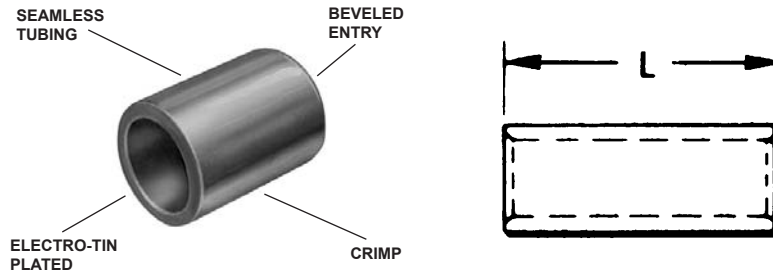
TYPE YSM

B-56

HYLINK™

Uninsulated Parallel Splice

HYLINK™ Type YSM seamless parallel splice connector permits wires to be laid parallel inside the connector and spliced together with the BURNDY family of HYTOOL™ installation tooling. Each YSM connector accommodates a wide combination of round, square, and rectangular copper conductors that have a total combined circular mil area listed in the table below. The conductors to be spliced must physically fit within title splice without being forced.



Features & Benefits

- Seamless tubing
- Beveled barrel for ease of wire entry
- Tin plated
- Parallel design results in only one crimp
- Uninsulated barrel provides an economical termination solution when insulation is not specified

Catalog Number	Circular Mil. Range	Dim. L	Installation Tooling						Wire Strip Length
			Ratchet	Mechanical HYTOOL™	Y29B		HYPRESS™ Y35BH, Y39BH*		
					Nest	Indentor	Nest	Indentor	
YSM18	300 - 1,909	0.25	MR8-9Q*	—	—	—	—	—	5/16
YSM14	477 - 4,107	0.25	Y14MRQ Y8MRB-1	—	—	—	—	—	5/16
YSM10	4,107 - 10,380	0.36	MR8-9Q* MR4CQ Y10MRQ Y8MRB-1	—	—	—	—	—	7/16
YSM8C	6,088 - 16,864	0.41	Y2MR MR4CQ MR8-9Q*	MY29-11 or MY28 (1) Crimp	DV8L-1	Y29PQ	UV8L	Y29PQ	1/2
YSM6C	10,380 - 26,813	0.44	Y2MR		DV6L	Y29PQ	UV6L	Y29PQ	1/2
YSM4C	26,813 - 42,613	0.50	MR4CQ		DV4L	Y29PQ	UV4L	Y29PQ	9/16
YSM2C	42,613 - 66,832	0.62	Y2MR		DV2L	Y29PQ	UV2L	Y29PQ	11/16
YSM1C	66,832 - 81,807	0.62	—		DV1L	Y29PQ	UV1L	Y29PQ	11/16
YSM25	81,807 - 104,110	0.69	—		DV25L	Y29PQ-6	UV25L	Y29PQ-6	3/4
YSM26	104,110 - 133,650	0.81	—		DV26L	Y29PQ-6	UV26L	Y29PQ-6	7/8
YSM27	133,650 - 167,332	0.81	—		DV27L	Y29PQ-6	UV27L	Y29PQ-6	7/8
YSM28	167,332 - 211,954	0.88	—		DV28L	Y29PQ-6	UV28L	Y29PQ-6	5/16

* Remove stop plate.

Wire Size	Area Cir. Mils.	Solid Wire Dia. (In.)	Concentric Str. Max. Dia. (In.)
30	100.5	0.010003	0.012
29	126.7	0.01126	—
28	159.8	0.01264	0.015
27	201.5	0.01420	—
26	254.1	0.01594	0.019
25	320.4	0.01790	—
24	404.0	0.02010	0.024
23	509.5	0.02257	—
22	642.4	0.02535	0.030
21	810.1	0.02845	—
20	1022	0.03196	0.038
19	1288	0.03589	—
18	1624	0.04030	0.0460
17	2048	0.04526	—
16	2583	0.05082	0.0585
15	3257	0.05707	—
14	4107	0.06408	0.0735

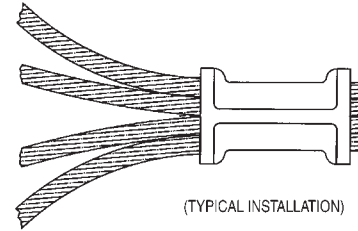
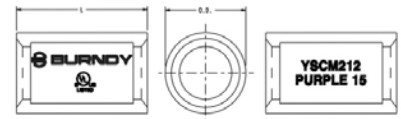
Wire Size	Area Cir. Mils.	Solid Wire Dia. (In.)	Concentric Str. Max. Dia. (In.)	Flex. Bunch or Rope Lay Dia. (In Approx.)
13	5178	0.07196	—	—
12	6530	0.08081	0.0931	0.101
11	8234	0.09074	—	—
10	10380	0.1019	0.117	0.126
9	13090	0.1144	0.132	0.146
8	16510	0.1285	0.148	0.157–0.162
7	20820	0.1433	0.166	0.179–0.196
6	26250	0.1620	0.186	0.207–0.215
5	33100	0.1819	0.209	0.235–0.240
4	41740	0.2043	0.235	0.263–0.269
3	52640	0.2294	0.264	0.219–0.305
2	66370	0.2576	0.297	0.319–0.337
1	83690	0.2893	0.333	0.367–0.376
1/0	105500	0.3249	0.374	0.441–0.423
2/0	133100	0.3648	0.420	0.500–0.508
3/0	167800	0.4096	0.472	0.549–0.576
4/0	211600	0.4600	0.530	0.613–0.645

TYPE YSCM

HYLINK™

Color-Coded
Uninsulated Parallel Splice

Type YSCM HYLINK™ seamless parallel splice connectors permit stranded wires to be laid parallel inside the connector and spliced together with BURNDY® compression tools. Each YSCM connector accommodates a wide range of conductors and is color-coded to ensure proper tool and die match. YSCM connectors are cULus Listed Wire Connectors per UL 486A/B.



Additionally, they are cULus Listed for Grounding and Bonding per UL 467 and rated for direct burial in Earth and Concrete.



B-57

Catalog Number	Conductor Range Cable†		Dimensions Inches [mm]		Color Code	Die Index	Recommended Installation Tooling		Wire Strip‡ Length
	Circular Mils		L ±.03	O.D. ±.01			OUR840, Y500CTHS, PAT60018V Series	Y35, Y750, PAT750 Series	
	Min.	Max.							
YSCM17	13,060	16,910	0.5 [13]	0.27 [7]	Red	49	X8CRT, W8CRT	U8CRT	11/16
YSCM27	16,910	26,890	0.5 [13]	0.31 [8]	Blue	7	X5CRT, W5CRT	U5CRT	11/16
YSCM42	29,970	41,520	0.5 [13]	0.38 [10]	Gray	8	X4CRT, W4CRT	U4CRT	11/16
YSCM66	42,750	66,040	0.62 [16]	0.47 [12]	Brown	10	X2CRT, W2CRT	U2CRT	3/4
YSCM80	67,980	80,020	0.62 [16]	0.52 [13]	Green	11	X1CRT-1, W1CRT-1	U1CRT-1	3/4
YSCM104	82,870	103,630	0.69 [18]	0.57 [14]	Pink	12	X25RT, W25RT	U25RT	15/16
YSCM133	104,960	133,220	0.81 [21]	0.64 [16]	Black	13	X26RT, W26RT	U26RT	1-1/16
YSCM167	134,340	166,560	0.81 [21]	0.7 [18]	Orange	14	X27RT, W27RT	U27RT	1-1/16
YSCM212	167,380	211,820	0.88 [22]	0.78 [20]	Purple	15	X28RT, W28RT	U28RT	1-1/16
YSCM231	230,800	230,800	1.05 [27]	0.8 [21]	Yellow	16	X29RT, W29RT, *	U29RT	1-1/16

Notes:
 Material: Copper per ASTM B75.
 Finish: Tin plated. For nickel plating, add suffix "NK" to the Catalog Number.
 Dimensions in brackets [] are in millimeters rounded off to the nearest millimeter, unless otherwise noted, and are for reference only.
 †Recommended strip length. Strip length dependent on size, no. of wires and insulation thickness.
 ‡Refer to Circular Mil Table per ASTM B8 for total Class B Circular Mil calculations.
 *YSCM231 can also be installed with MY29-3 and retain Listings.

Add the circular mils of the wires you wish to splice; that sum would be used to determine the correct splice using the Min/Max columns on the table above.

The tables to the right are for reference only.

Size		ASTM Strandings	
Circular Mils	AWG	Class	Cable Diameter (in)
1,022	20	B	0.036
1,624	18	B	0.045
2,583	16	B	0.057
4,107	14	B	0.072
6,530	12	B	0.091
10,380	10	B	0.116
13,090	9	B	0.130
16,510	8	B	0.146
20,820	7	B	0.164
26,250	6	B	0.184
33,100	5	B	0.206
41,740	4	AA	0.254
41,740	4	B & A	0.232
52,630	3	AA	0.285
52,630	3	B & A	0.260

Size		ASTM Strandings	
Circular Mils	AWG	Class	Cable Diameter (in)
66,370	2	AA	0.320
66,370	2	B & A	0.292
83,690	1	AA	0.360
83,690	1	A	0.328
83,690	1	B	0.332
105,500	1/0	A & A	0.368
105,500	1/0	-	0.390
105,500	1/0	B	0.373
133,100	2/0	A & A	0.414
133,100	2/0	-	0.438
133,100	2/0	B	0.419
167,800	3/0	A & A	0.464
167,800	3/0	-	0.492
167,800	3/0	B	0.470
211,600	4/0	A & A	0.522
211,600	4/0	-	0.522
211,600	4/0	B	0.528

TYPES YSV, YRV-L

B-58

HYREDUCER™

Reducer Butt Splice

The HYREDUCER™ is a connector for splicing two different size wires. The larger conductor is inserted first and butts against the center of the connector where the smaller barrel begins. Constructed of pure electrolytic copper tubing for maximum conductivity, tin plated to resist corrosion, the HYREDUCER™ accommodates a wide range of cable sizes. Dimensional information may be found in Table 1. Table 2 is a comprehensive tooling index for these connectors.

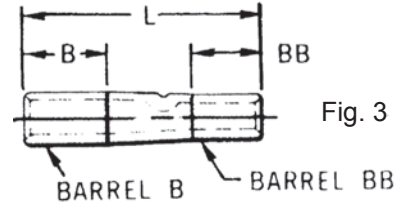
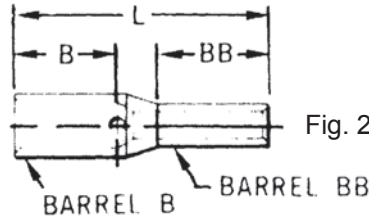
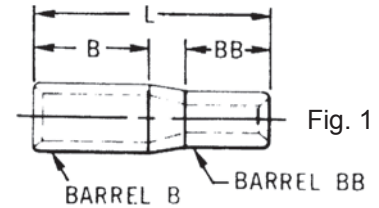


TABLE 1

Catalog Number	Total Wire Range	Fig. No.	B Barrel*			BB Barrel*			L Max.
			Wire Size	B Dim.	Tool Index	Wire Size	BB Dim.	Tool Index	
YSV1418	22 - 14	1	20 - 14	0.27	1	22 - 18	0.27	2	0.60
YSV1214-G1	16 - 12	2	12	0.31	4	16 - 14	0.27	1	0.81
YSV1014-G2	20 - 10	2	12 - 10	0.31	4	20 - 14	0.27	1	0.77
YRV8CV14-L	20 - 8	3	8	0.44	5	20 - 14	0.39	1	1.16
YRV8CV10-L	12 - 8	3	8	0.44	5	12 - 10	0.53	4	1.15
YRV6CV10-L	12 - 6	3	6	0.50	6	12 - 10	0.53	4	1.25
YRV6CV8C-L	8 - 6	3	6	0.50	6	8	0.53	5	1.18
YRV4CV6C-L	6 - 4	3	4	0.50	7	6	0.54	6	1.24
YRV2CV6C-L	6 - 2	3	2	0.62	8	6	0.51	6	1.60

* B and BB dimensions are wire strip lengths.

TABLE 2

TOOL INDEX

Index Number	Hand Tools	Tools With Dies	
		Y29NC	
1	MR8G98 Y8MRB-1 MR8-9Q† MR20	—	
2		—	
4		—	
5	Y8MRB-1 MY28 MR4C Y1MRTC	Nest	Indentor
		DV8L-1*	Y29PL
6	MY28 MR4C Y1MRTC	DV6L	Y29PL
7	MY28 MR4C Y1MRTC	DV4L	Y29PL
8	Y1MRTC MY28	DV2L	Y29PL

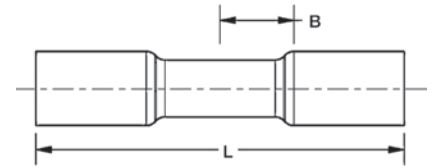
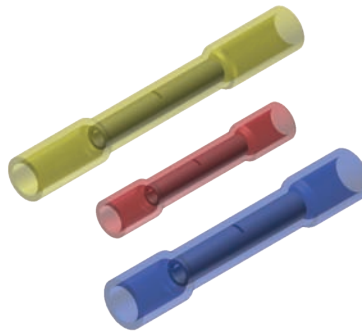
* For aircraft applications (flexible cables).

TYPE YHSS

HYDENT™ HEAT SHRINK BUTT SPLICES

For Use On Copper Conductor

Standard crimp terminals leave the wire exposed allowing in moisture or other contaminants which can result in corrosion. Corrosion reduces the amount of current the wire can carry safely. The integrity of the electrical system can be compromised when unsealed electrical connections are utilized. Heat shrink terminals provide a durable seal blocking out contaminants ensuring a better connection.



B-59

Features & Benefits

- Made from pure copper, annealed for maximum strength
- Color-coded, imprinted with wire size
- Serrated barrels offer maximum wire contact and tensile strength
- Electro tin plated for corrosion resistance
- Wire strip length 5/16"

Catalog Number (100/bag)	Catalog No. (20/bag)	Conductor Size	Dimensions	
			B	L
YHSS18	YHSS18RK	22 - 18 AWG	0.25"	1.50"
YHSS14	YHSS14RK	16 - 14 AWG	0.25"	1.50"
YHSS10	YHSS10RK	12 - 10 AWG	0.25"	1.60"

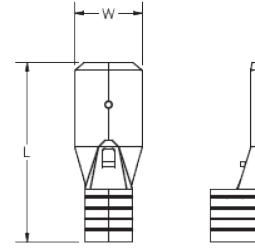
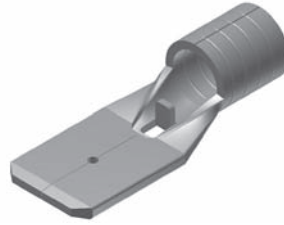
Recommended Tooling MR22

TYPE Q-M FINGRIP™

B-60

NON-INSULATED MALE QUICK DISCONNECTS

Material: Tin-Plated Brass



Non Insulated Quick disconnects allows for quickly connecting or disconnecting a terminal. The front end of the terminal has a female-type receptacle which allows the terminal to slide onto and off of a male blade.

Features & Benefits

- Butted seam
- Chamfered barrel opening
 - ◇ Assures quick and easy wire insertion
- Mates with dimpled female socket detent
 - ◇ Ensures firm grip

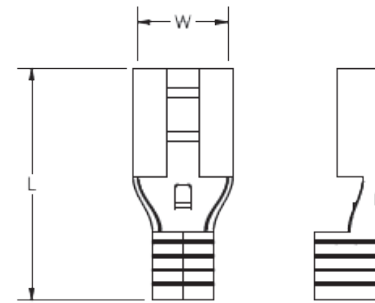
Catalog Number	Wire Range	NEMA Tab Size	L	W	Installation Tool	Wire Strip Length	Bulk Catalog Number
Q18M11X02D	18 - 22	0.110 X 0.020	0.66	0.110	MRE1022B MR20 Y10D Y1022	3/8"	—
Q18M18X02D	18 - 22	0.187 X 0.020	0.66	0.187	MRE1022B MR20 Y10D Y1022	3/8"	Q18M18X02B
Q18M25X03D	18 - 22	0.250 X 0.032	0.66	0.250	MRE1022B MR20 Y10D Y1022	3/8"	Q18M25X03B
Q14M18X02D	14 - 16	0.187 X 0.020	0.66	0.187	MRE1022B MR20 Y10D Y1022	3/8"	Q14M18X02B
Q14M25X03D	14 - 16	0.250 X 0.032	0.66	0.250	MRE1022B MR20 Y10D Y1022	3/8"	Q14M25X03B
Q10M25X03D	12 - 10	0.250 X 0.032	0.66	0.250	MRE1022B MR20 Y10D Y1022	3/8"	—

TYPE Q-F FINGRIP™

**NON-INSULATED FEMALE
QUICK DISCONNECTS**

Material: Tin-Plated Brass

Non Insulated Quick disconnects allows for quickly connecting or disconnecting a terminal. The front end of the terminal has a female-type receptacle which allows the terminal to slide onto and off of a male blade.



B-61

Features & Benefits

- Butted seam
- Chamfered barrel opening
 - ◇ Assures quick and easy wire insertion
- Dimpled female socket detent
 - ◇ Ensures firm grip

Catalog Number	Wire Range	NEMA Tab Size	L	W	Installation Tooling	Wire Strip Length	Bulk Catalog Number
Q18F11X02D	18 - 22	0.110 x 0.020	0.66	0.110	MRE1022B Y10D MR20	3/8"	—
Q18F18X02D		0.187 x 0.020		0.187			Q18F18X02B
Q18F25X03D		0.250 x 0.032		0.250			Q18F25X03B
Q14F11X02D	14 - 16	0.110 x 0.020		0.110			Q14F11X02B
Q14F18X02D		0.187 x 0.020		0.187			Q14F18X02B
Q14F25X03D		0.250 x 0.032		0.250			Q14F25X03B
Q10F11X02D	12 - 10	0.110 x 0.020		0.110			—
Q10F18X02D		0.187 x 0.020		0.187			—
Q10F25X03D		0.250 X 0.032		0.250			Q10F25X03B

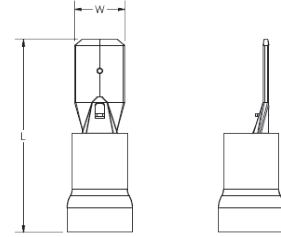
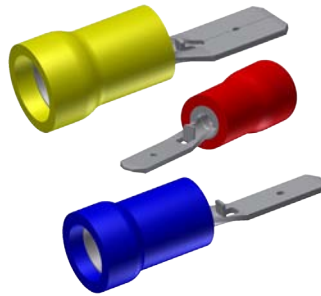
TYPE QP-M FINGRIP™

B-62

VINYL INSULATED MALE QUICK DISCONNECTS

Material: Tin-Plated Brass

600 Volts Max., 105° C Max.



Vinyl Insulated Quick disconnects allows for quickly connecting or disconnecting a terminal. The front end of the terminal has a female-type receptacle which allows the terminal to slide onto and off of a male blade.

Features & Benefits

- Butted seam
- Funnel entry barrel opening
 - ◇ Assures quick and easy wire insertion
- Mates with dimpled female socket detent
 - ◇ Ensures firm grip



Catalog Number	Wire Range	NEMA Tab Size	L	W	Installation Tool	Wire Strip Length	Bulk Catalog Number
QP18M11X02D	18 - 22	0.11 X 0.02	0.76	0.11	MRE1022NV Y1022 Y10D	3/8"	—
QP18M18X02D		0.19 X 0.02	0.76	0.19			QP18M18X02B
QP18M25X03D		0.25 X 0.03	0.84	0.25			QP18M25X03B
QP14M11X02D	14 - 16	0.11 X 0.02	0.76	0.11	MRE1022NV Y1022 Y10D	3/8"	—
QP14M18X02D		0.19 X 0.02	0.76	0.19			QP14M18X02B
QP14M25X03D		0.25 X 0.03	0.84	0.25			QP14M25X03B
QP10M25X03D	12 - 10	0.25 X 0.03	0.93	0.25	MRE1022NV Y1022 Y10D	3/8"	—

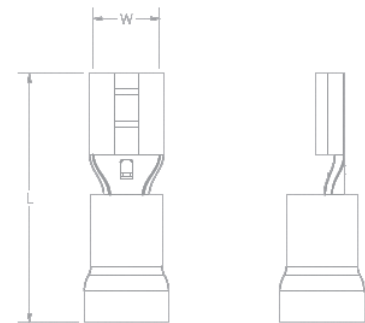
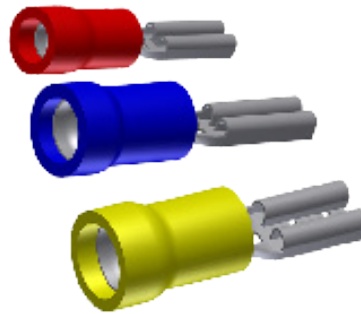
TYPE QP-F FINGRIP™

VINYL INSULATED FEMALE QUICK DISCONNECTS

Material: Tin-Plated Brass

600 Volts Max., 105° C Max.

Vinyl Insulated Quick disconnects allows for quickly connecting or disconnecting a terminal. The front end of the terminal has a female-type receptacle which allows the terminal to slide onto and off of a male blade.



Features & Benefits

- Butted seam
- Insulated connectors
 - ◊ Eliminate the need for post installation insulation
- Funnel entry barrel opening
 - ◊ Assures quick and easy wire insertion
- Dimpled female socket detent
 - ◊ Ensures firm grip

Catalog Number	Wire Range	NEMA Tab Size	L	W	Bulk Catalog Number	Installation Tool	Wire Strip Length
QP18F11X02D	16 - 22	0.11 X 0.02	0.75	0.11	—	MRE1022NV Y10D	3/8"
QP18F18X02D		0.19 X 0.02	0.79	0.22	QP18F18X02B		
QP18F25X03D		0.25 X 0.03	0.87	0.29	QP18F25X03B		
QP14F11X02D	14 - 16	0.11 X 0.02	0.75	0.11	—	MRE1022NV Y10D	3/8"
QP14F18X02D		0.19 X 0.02	0.79	0.23	QP14F18X02B		
QP14F25X03D		0.25 X 0.03	0.87	0.29	QP14F25X03B		
QP10F18X02D*	10 - 12	0.19X 0.02	0.98	0.29	QP10F18X02B	MRE1022NV Y10D	3/8"
QP10F25X03D		0.25 X 0.03	0.98	0.29	QP10F25X03B		
QP10F38X05D*		0.38 x 0.05	1.12	0.39	—		

* Not cULus.

TYPE FQP-F FINGRIP™

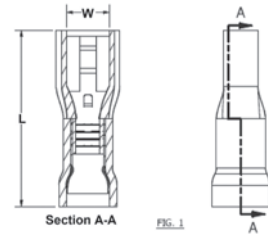
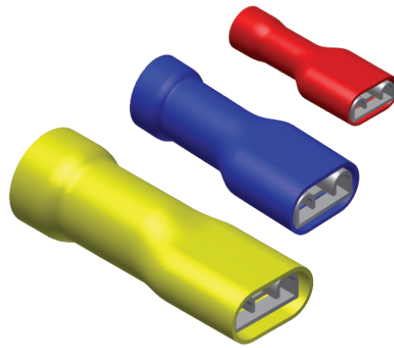
B-64

VINYL FULLY INSULATED FEMALE QUICK DISCONNECTS

Material: Tin-Plated Brass

600 Volts Max., 105° C Max.

Vinyl Fully Insulated Quick disconnects allows for quickly connecting or dis-connecting a terminal. The front end of the terminal has a female-type receptacle which allows the terminal to slide onto and off of a male blade.



Features & Benefits

- Fully insulated connectors
 - ◇ Eliminate the need for post installation insulation
- Funnel entry barrel opening
 - ◇ Assures quick and easy wire insertion
- Dimpled female socket detent
 - ◇ Ensures firm grip

Catalog Number	Wire Range	NEMA Tab Size	L	W	Installation Tool	Wire Strip Length
FQP18F11X03D	18 - 22	0.11 x 0.03	0.79	0.11	MRE1022NV Y1022	3/8"
FQP18F18X02D		0.19 x 0.02	0.80	0.19		
FQP18F25X03D		0.25 x 0.03	0.90	0.25		
FQP14F11X03D	14 - 16	0.11 x 0.03	0.79	0.11	MRE1022NV Y1022	3/8"
FQP14F18X02D		0.19 x 0.02	0.80	0.19		
FQP14F25X03D		0.25 x 0.03	0.90	0.25		
FQP10F25X03D	10 - 12	0.25 x 0.03	0.97	0.25	MRE1022NV Y1022	3/8"

TYPE QN-M FINGRIP™

NYLON INSULATED MALE QUICK DISCONNECTS

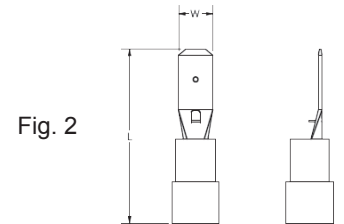
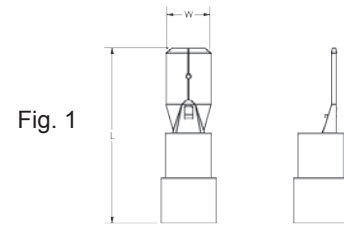
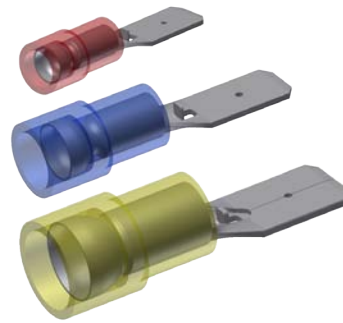
Material: Tin-Plated Brass

600 Volts Max., 105° C Max.

Nylon Insulated Quick disconnects allow for quickly connecting or disconnecting a terminal. The front end of the terminal has a female-type receptacle which allows the terminal to slide onto and off of a male blade.

Features & Benefits

- Sleeved barrel
- Funnel entry barrel opening
 - ◇ Assures quick and easy wire insertion
- Mates with dimpled female socket detent
 - ◇ Ensures firm grip



B-65

Catalog Number	Figure Number	Wire Range	NEMA Tab Size	L	W	Installation Tool *	Wire Strip Length	Bulk Catalog Number
QN18M18X02D	2	18 - 22	0.19 X 0.02	0.80	0.19	MRE1022NV Y10D Y1022	3/8"	QN18M18X02B
QN18M25X03D	1		0.25 X 0.03	0.87	0.25			QN18M25X03B
QN14M18X02D	2	14 - 16	0.19 X 0.02	0.80	0.19	MRE1022NV Y10D Y1022	3/8"	QN14M18X02B
QN14M25X03D	1		0.25 X 0.03	0.87	0.25			QN14M25X03B
QN10M25X03D	1	12 - 10	0.25 X 0.03	0.95	0.25	MRE1022NV Y10D Y1022	3/8"	—

TYPE QN-F FINGRIP™

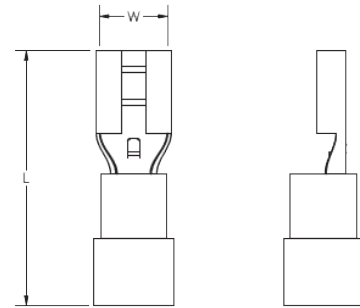
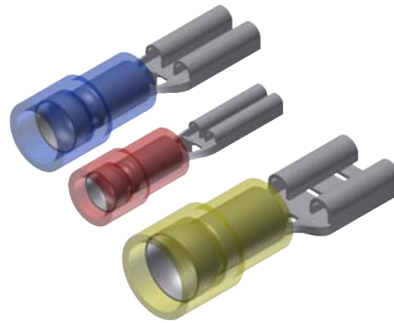
B-66

NYLON INSULATED FEMALE QUICK DISCONNECTS

Material: Tin-Plated Brass

300 Volts Max., 105° C Max.

Insulated Quick disconnects allows for quickly connecting or disconnecting a terminal. The front end of the terminal has a female-type receptacle which allows the terminal to slide onto and off of a male blade.



Features & Benefits

- Sleeved barrel
- Insulated connectors
 - ◊ Eliminate the need for post installation insulation
- Funnel entry barrel opening
 - ◊ Assures quick and easy wire insertion
- Dimpled female socket detent
 - ◊ Ensures firm grip



(Mates with Type QN-M Male Disconnects)

Standard Catalog Number	Std. Pkg. Qty	Wire Range	NEMA Tab Size	L	W	Installation Tool *	Wire Strip Length	Bulk Catalog Number	Bulk. Pkg. Qty.
QN18F11X02D	100	16 - 22	0.11 X 0.02	0.77	0.11	MRE1022NV Y10D Y1022	3/8"	QN18F11X02B	1000
QN18F18X02D			0.19 X 0.02	0.79	0.19			QN18F18X02B	
QN18F25X03D			0.25 X 0.03	0.87	0.25			QN18F25X03B	
QN14F11X02D	100	14 - 16	0.11 X 0.02	0.77	0.11	MRE1022NV Y10D Y1022	3/8"	QN14F11X02B	1000
QN14F18X02D			0.19 X 0.02	0.79	0.19			QN14F18X02B	
QN14F25X03D			0.25 X 0.03	0.87	0.25			QN14F25X03B	
QN10F18X02D*	50	12 - 10	0.19 X 0.02	0.87	0.19	MRE1022NV Y10D Y1022	3/8"	QN10F18X02B*	1000
QN10F25X03D			0.25 X 0.03	0.95	0.25			QN10F25X03B	

* Not cULus.

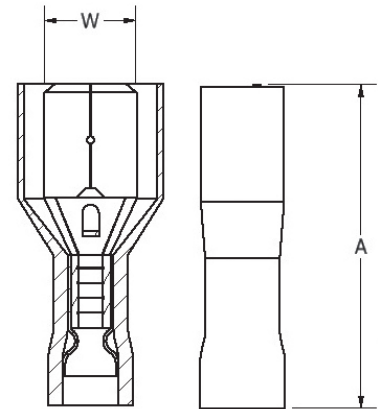
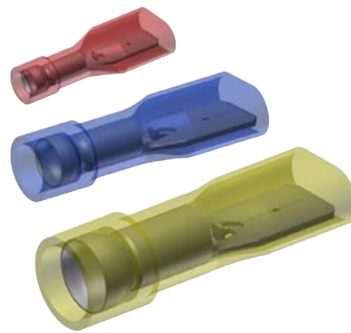
TYPE FQN-M FINGRIP™

**NYLON FULLY INSULATED
MALE QUICK DISCONNECTS**

Material: Tin-Plated Brass

600 Volts Max., 105° C Max.

Nylon Fully Insulated Quick disconnects allows for quickly connecting or dis-connecting a terminal. The front end of the terminal has a female-type receptacle which allows the terminal to slide onto and off of a male blade.



B-67

Features & Benefits

- Fully insulated connectors
 - ◊ Eliminate the need for post installation insulation
- Funnel entry barrel opening
 - ◊ Assures quick and easy wire insertion
- Dimpled female socket detent
 - ◊ Ensures firm grip



Catalog Number	Wire Range	NEMA Tab Size	L	W	Installation Tool *	Wire Strip Length	Bulk Catalog Number
FQN18M18X02D*	18 - 22	0.19 X 0.02	0.88	0.19	MRE1022NV Y10D Y1022	3/8"	—
FQN18M25X03D	18 - 22	0.25 X 0.03	0.80	0.25			FQN18M25X03B
FQN14M18X02D*	14 - 16	0.19 X 0.02	0.80	0.19	MRE1022NV Y10D Y1022	3/8"	—
FQN14M25X03D	14 - 16	0.25 X 0.03	0.88	0.25			FQN14M25X03B
FQN10M25X03D	10 - 12	0.25 X 0.03	0.96	0.25	MRE1022NV	3/8"	FQN10M25X03B

* Not cULus.

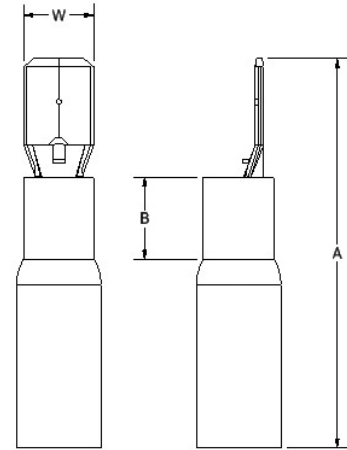
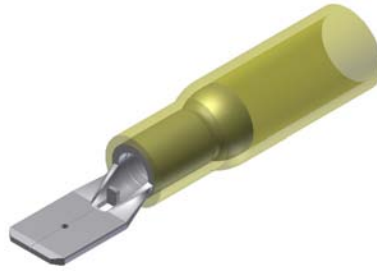
TYPE YHSQ-M

B-68

HYDENT™ HEAT SHRINK MALE QUICK DISCONNECTS

For Use on Copper Conductor

Standard crimp terminals leave the wire exposed allowing in moisture or other contaminants which can result in corrosion. Corrosion reduces the amount of current the wire can carry safely. The integrity of the electrical system can be compromised when unsealed electrical connections are utilized. Heat shrink terminals provide a durable seal blocking out contaminants ensuring a better connection.



Features & Benefits

- Made from pure copper, annealed for maximum strength
- Color-coded, imprinted with wire size
- Serrated barrels offer maximum wire contact and tensile strength
- Electro tin plated for corrosion resistance

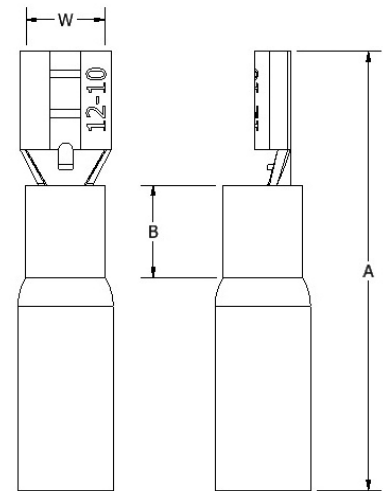
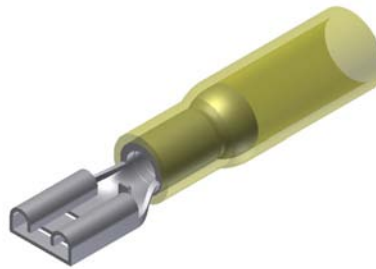
Catalog No. (100/bag)	Catalog No. (20/bag)	Conductor Size	NEMA Tab Size	Dimensions			Installation Tooling	Wire Strip Length
				B	W	A		
YHSQ18M25X03	YHSQ18M250X03RK	22-18 AWG	0.250 X 0.032	0.22	0.25	1.25	MR22	5/16"
YHSQ14M25X03	YHSQ14M25X03RK	16-14 AWG	0.250 X 0.032	0.22	0.25	1.25	MR22	5/16"
YHSQ10M25X03	YHSQ10M25X03RK	12-10 AWG	0.250 X 0.032	0.22	0.25	1.19	MR22	5/16"

TYPE YHSQ-F

HYDENT™ HEAT SHRINK
FEMALE QUICK DISCONNECTS

For Use on Copper Conductor

Standard crimp terminals leave the wire exposed allowing in moisture or other contaminants which can result in corrosion. Corrosion reduces the amount of current the wire can carry safely. The integrity of the electrical system can be compromised when unsealed electrical connections are utilized. Heat shrink terminals provide a durable seal blocking out contaminants ensuring a better connection.



B-69

Features & Benefits

- Made from pure copper, annealed for maximum strength
- Color-coded, imprinted with wire size
- Serrated barrels offer maximum wire contact and tensile strength
- Electro tin plated for corrosion resistance

Catalog No. (100/bag)	Catalog No. (20/bag)	Conductor Size	Tab Size	Dimensions			Installation Tooling	Wire Strip Length
				B	W	A		
YHSQ18F11X02D	—	22-18 AWG	0.110 X 0.020	0.17	0.16	1.28	MR22	5/16"
YHSQ18F18X02D	—		0.187 X 0.020	0.17	0.23	1.28		
YHSQ18F25X03	YHSQ18F25X03RK		0.250 X 0.032	0.22	0.30	1.27		
YHSQ14F11X02D	—	16-14 AWG	0.110 X 0.020	0.17	0.16	1.28	MR22	5/16"
YHSQ14F18X02D	—		0.187 X 0.020	0.17	0.23	1.28		
YHSQ14F25X03	YHSQ14F25X03RK		0.250 X 0.032	0.22	0.30	1.27		
YHSQ10F25X03	YHSQ10F25X03RK	12-10 AWG	0.250 X 0.032	0.22	0.30	1.27	MR22	5/16"

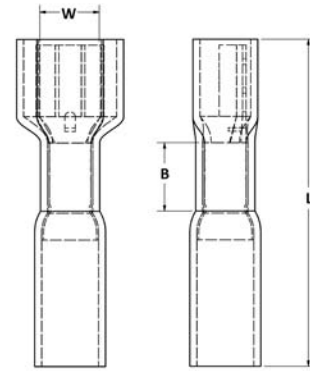
TYPE YHSFQ-F

B-70

HYDENT™ HEAT SHRINK FULLY INSULATED QUICK DISCONNECTS

For Use on Copper Conductor

Standard crimp terminals leave the wire exposed allowing in moisture or other contaminants which can result in corrosion. Corrosion reduces the amount of current the wire can carry safely. The integrity of the electrical system can be compromised when unsealed electrical connections are utilized. Heat shrink terminals provide a durable seal blocking out contaminants ensuring a better connection.



Features & Benefits

- Made from pure copper, annealed for maximum strength
- Color-coded, imprinted with wire size
- Serrated barrels offer maximum wire contact and tensile strength
- Electro tin plated for corrosion resistance

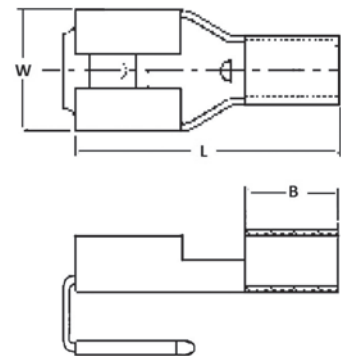
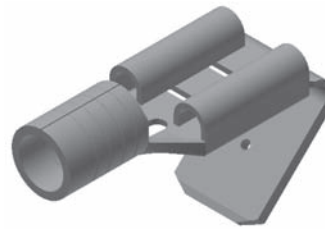
Catalog No. (100/bag)	Catalog No. (20/bag)	Conductor Size	NEMA Tab Size	Dimensions			Installation Tooling	Wire Strip Length
				B	W	L		
YHSFQ18F25X03	YHSFQ18F25X03RK	22-18 AWG	0.250 X 0.032	0.22	0.38	1.28	MR22	5/16"
YHSFQ14F25X03	YHSFQ14F25X03RK	16-14 AWG	0.250 X 0.032	0.22	0.38	1.28	MR22	5/16"
YHSFQ10F25X03	YHSFQ10F25X03RK	12-10 AWG	0.250 X 0.032	0.22	0.38	1.34	MR22	5/16"

TYPE PG

MALE/FEMALE COMBINATION QUICK DISCONNECTS

Material: Tin Plated Brass

Piggy-back connectors or piggy-back terminals are designed to allow for additional terminals to be connected.



B-71

Features & Benefits

- Sleeved Barrel
- Combination connector - allows for more than one connection to a circuit
- Funnel entry barrel opening - assures quick and easy wire insertion
- Dimpled female socket detent - ensure firm grip

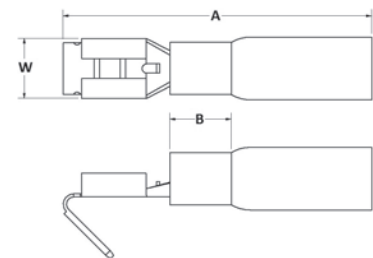
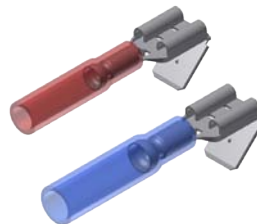
Catalog Number	Wire Range	NEMA Tab Size	B	L	W	Installation Tool	Wire Strip Length
PG1825X03D	22 - 18 AWG	0.250 X 0.032	0.17	0.79	0.25	MRE1022B, Y10D, Y10-22	3/8"
PG1425X03D	16 - 14 AWG	0.250 X 0.032	0.17	0.79	0.25	MRE1022B, Y10D, Y10-22	3/8"
PG1025X03D	12 - 10 AWG	0.250 X 0.032	0.27	0.89	0.25	MRE1022B, Y10D, Y10-22	3/8"

TYPE PGHS

HEAT SHRINK COMBINATION DISCONNECT TERMINALS

For Use on Copper Conductor

Standard crimp terminals leave the wire exposed allowing in moisture or other contaminants which can result in corrosion. Corrosion reduces the amount of current the wire can carry safely. The integrity of the electrical system can be compromised when unsealed electrical connections are utilized. Heat shrink terminals provide a durable seal blocking out contaminants ensuring a better connection.



Features & Benefits

- Made from pure copper, annealed for maximum strength
- Color-coded, imprinted with wire size
- Serrated barrels offer maximum wire contact and tensile strength
- Electro tin plated for corrosion resistance

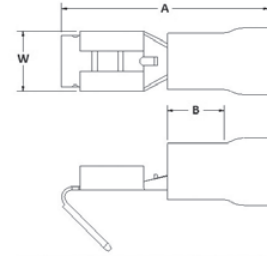
Catalog Number	Wire Range	NEMA Tab Size	A	B	W	Installation Tool	Wire Strip Length
PGHS1825X03D	22 - 18 AWG	0.250 X 0.032	0.91	0.17	0.25	Y10D, Y1022, MR22	5/16"
PGHS1425X03D	16 - 14 AWG	0.250 X 0.032	0.91	0.17	0.25	Y10D, Y1022	5/16"

TYPE PGP FINGRIP™

B-72

VINYL MALE/FEMALE COMBINATION QUICK DISCONNECTS

Material: Tin-Plated Brass
600 Volts Max. 105° C Max.



Piggy-back connectors or piggy-back terminals are designed to allow for additional terminals to be connected.

Features & Benefits



- Sleeved barrel
- Combination connector
 - ◇ Allows for more than one connection to a circuit
- Funnel entry barrel opening
 - ◇ Assures quick and easy wire insertion
- Dimpled female socket detent
 - ◇ Ensures firm grip

Standard Catalog Number	Wire Range	NEMA Tab Size	A	B	W	Installation Tool*	Wire Strip Length	Bulk Catalog Number
PGP1825X03D	18 - 22	0.250 X 0.032	0.91	0.17	0.28	MRE1022NV Y1022	3/8"	PGP1825X03B
PGP1425X03D	14 - 16	0.250 X 0.032	0.91	0.17	0.28	MRE1022NV Y1022	3/8"	PGP1425X03B
PGP1025X03D	10 - 12	0.250 X 0.032	0.95	0.27	0.28	MRE1022NV Y1022	3/8"	PGP1025X03B

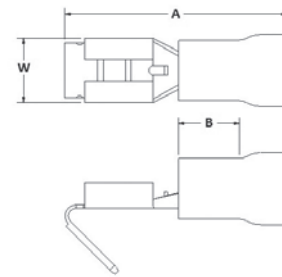
* For UL Listed applications, consult BURNDY® factory.

TYPE PGN FINGRIP™

**NYLON COMBINATION
DISCONNECT TERMINALS**

Material: Tin-Plated Brass
600 Volts Max. 105° C Max.

Piggy-back connectors or piggy-back terminals are designed to allow for additional terminals to be connected.



B-73



Features & Benefits

- Sleeved barrel
- Combination connector
 - ◇ Allows for more than one connection to a circuit
- Funnel entry barrel opening
 - ◇ Assures quick and easy wire insertion
- Dimpled female socket detent
 - ◇ Ensures firm grip

Standard Catalog Number	Wire Range	NEMA Tab Size	A	B	W	Installation Tool*	Wire Strip Length	Bulk Catalog Number
PGN1825X03D	18 - 22	0.250 X 0.032	0.90	0.17	0.28	MRE1022NV Y10D	3/8"	PGN1825X03B
PGN1425X03D	14 - 16	0.250 X 0.032	0.90	0.17	0.28	MRE1022NV Y10D	3/8"	PGN1425X03B
PGN1025X03D	10 - 12	0.250 X 0.032	0.95	0.27	0.28	MRE1022NV Y10D	3/8"	PGN1025X03B

* For UL Listed applications, consult BURNDY® factory.

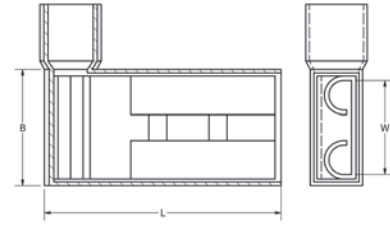
TYPE FLN FINGRIP™

B-74

NYLON FLAG-STYLE FEMALE QUICK DISCONNECT

Material: Tin-Plated Brass

Flag style female quick disconnects provide quick, reliable snap-together interconnections without the use of tools. Side entrance chamfer to permit connections of ninety degrees without bending the wire.



Features & Benefits

- Dimpled female socket detent
- ◇ Ensures firm grip

Catalog Number	Wire Range	NEMA Tab Size	L	B	W	Installation Tool	Wire Strip Length
FLN1825X03D	22 - 18	0.250 X 0.032	0.60	0.40	0.25	MRE1422FLN	3/8"
FLN1425X03D	16 - 14	0.250 X 0.032	0.63	0.40	0.25	MRE1422FLN	3/8"
FLN1025X03D*	12 - 10	0.250 X 0.032	0.64	0.40	0.25	MRE1422FLN	3/8"

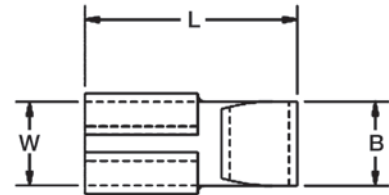
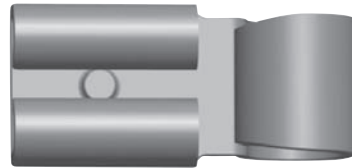
* Not cULus.

TYPE FL FINGRIP™

FLAG-STYLE FEMALE QUICK DISCONNECT

Material: Tin-Plated Brass

Flag style female quick disconnects provide quick, reliable snap-together interconnections without the use of tools. Side entrance chamfer to permit connections of ninety degrees without bending the wire.



Features & Benefits

- Dimpled female socket detent
- ◇ Ensures firm grip

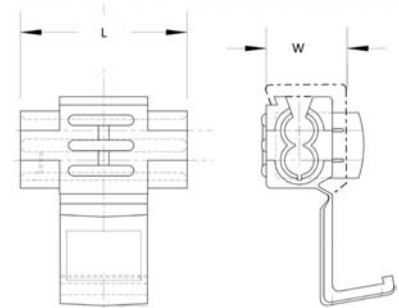
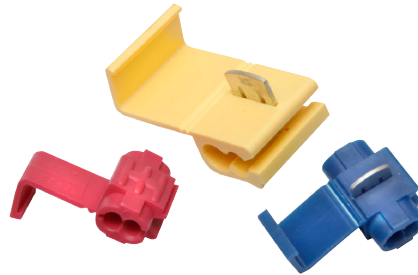
Catalog Number	Std. Pkg. Qty	Wire Range	NEMA Tab Size	L	B	W	Installation Tool	Wire Strip Length	Bulk Catalog Number	Bulk Pkg. Qty
FL1825X03D	100	18 - 22	0.250 x 0.032	0.67	0.17	0.25	BTH-450	3/8"	FL1825X03B	1000
FL1425X03D	100	14 - 16	0.250 x 0.032	0.67	0.17	0.25	BTH-450	3/8"	FL1425X03B	1000
FL1025X03D	50	10 - 12	0.250 x 0.032	0.67	0.17	0.25	BTH-450	3/8"	FL1025X03B	1000

TYPE YAIT

QIKTAP™

QIKTAP™ Splices

QIKTAP™ connectors are quick and convenient. Makes quick splices with no stripping, twisting, soldering or special tooling.



B-75

Features & Benefits

- Easy to Use
- Saves time
- Color Coded
- No special tools required (just squeeze to install)
- Dependable connection

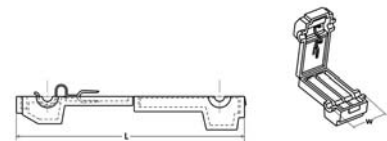
Catalog Number	Wire Range	L	W
YAIT2218R	22 - 18	0.80	0.37
YAIT1814B	16 - 14	0.80	0.37
YAIT1210Y	12 - 10	0.80	0.37

TYPE TTV

QIKTAP™

Insulation Piercing Style, Tap Connector

TTV type electrical connectors allow for an easy tap off of a run conductor. This tap allows for a male quick disconnect to complete the tap connection. This is especially useful when multiple reconnections could be necessary.



Features & Benefits

- Allows user to tap into a wire in mid-span without cutting or stripping the wire
- Connector then mates with a .250 inch male quick disconnect tab, making a reusable quick-connect wiring termination

Catalog Number	Wire Range	Insulation Color	W	L
TTV18	22 - 18 AWG	Red	0.38	1.44
TTV14	16 - 14 AWG	Blue	0.38	1.44
TTV10	12 - 10 AWG	Yellow	0.38	1.44

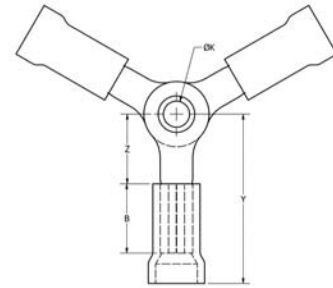
TYPE YATW-P

B-76

HYDENT™

Terminal - Vinyl Insulated,
Three-Way Ring Tongue

Insulated 3-way terminal is constructed of 3 ring terminals riveted together through the stud holes. Allows multiple wires to be quickly and securely connected.



Features & Benefits

- Robust design of a standard insulated terminal integrated into one connector
- Standard BURNDY® tooling to install

Catalog Number	Wire Range	Insulation Type	Insulation Color	B	Z	K	Y	Installation Tooling	Wire Strip Length
YATW18P	22 - 18 AWG	Vinyl	Red	0.25	0.23	0.15	0.73	MRE1022NV Y1022	5/16"
YATW14P	16 - 14 AWG	Vinyl	Blue	0.25	0.28	0.15	0.78	MRE1022NV Y1022	5/16"
YATW10P	12 - 10 AWG	Vinyl	Yellow	0.25	0.28	0.15	0.84	MRE1022NV Y1022	5/16"

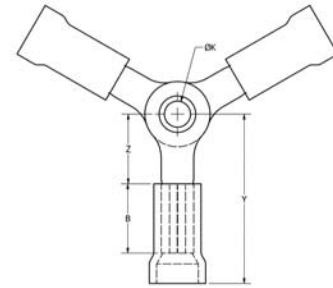
TYPE YATW-N

HYDENT™

Terminal - Nylon Insulated,
Three-Way Ring Tongue

600 Volts Max., 105° C Max.

Insulated 3-way terminal is constructed of 3 ring terminals riveted together through the stud holes. Allows multiple wires to be quickly and securely connected.



Features & Benefits

- Robust design of a standard insulated terminal integrated into one connector
- Standard BURNDY® tooling to install

Catalog Number	Wire Range	Insulation Type	Insulation Color	B	Z	K	Y	Installation Tooling	Wire Strip Length
YATW18N	22 - 18 AWG	2 Piece Nylon	Red	0.25	0.23	0.15	0.73	MRE1022NV Y10D Y1022	5/16"
YATW14N	16 - 14 AWG	2 Piece Nylon	Blue	0.25	0.28	0.15	0.78	MRE1022NV Y10D Y1022	5/16"
YATW10N	12 - 10 AWG	2 Piece Nylon	Yellow	0.25	0.28	0.15	0.84	MRE1022NV Y10D Y1022	5/16"

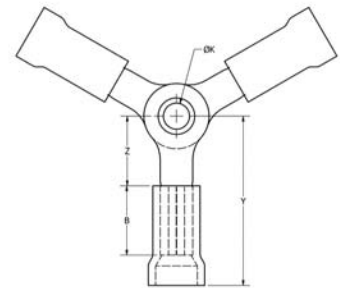
TYPE YATW-NG

HYDENT™

Terminal - Nylon Grip Insulated,
Three-Way Ring Tongue

600 Volts Max., 105° C Max.

Insulated 3-way terminal is constructed of 3 ring terminals riveted together through the stud holes. Allows multiple wires to be quickly and securely connected.



B-77

Features & Benefits

- Robust design of a standard insulated terminal integrated into one connector
- Standard BURNDY® tooling to install

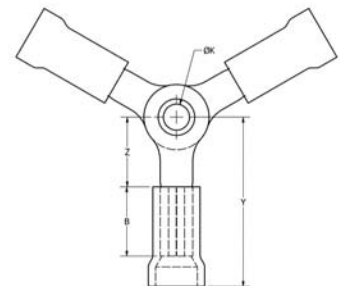
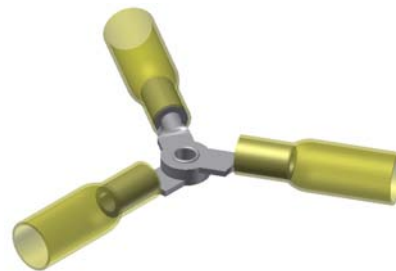
Catalog Number	Wire Range	Insulation Type	Insulation Color	B	Z	K	Y	Installation Tooling	Wire Strip Length
YATW18NG	22 - 18 AWG	3 Piece Nylon	Red	0.25	0.23	0.15	0.73	MRE1022NV Y10D Y1022	5/16"
YATW14NG	16 - 14 AWG	3 Piece Nylon	Blue	0.25	0.28	0.15	0.78	MRE1022NV Y10D Y1022	5/16"
YATW10NG	12 - 10 AWG	3 Piece Nylon	Yellow	0.25	0.28	0.15	0.84	MRE1022NV Y10D Y1022	5/16"

TYPE YATW-HS

HYDENT™

Terminal - Fully Insulated Heat Shrink,
Three-Way Ring Tongue

Insulated 3-way terminal is constructed of 3 ring terminals riveted together through the stud holes. Allows multiple wires to be quickly and securely connected.



Features & Benefits

- Robust design of a standard insulated terminal integrated into one connector
- Standard BURNDY® tooling to install

Catalog Number	Wire Range	Insulation Type	Insulation Color	B	Z	K	Y	Installation Tooling	Wire Strip Length
YATW18HS	22 - 18 AWG	Heat Shrink	Red	0.25	0.23	0.15	1.26	MR22 Y10D Y1022	5/16"
YATW14HS	16 - 14 AWG	Heat Shrink	Blue	0.25	0.28	0.15	1.31	MR22 Y10D Y1022	5/16"
YATW10HS	12 - 10 AWG	Heat Shrink	Yellow	0.25	0.28	0.15	1.37	MR22 Y10D Y1022	5/16"

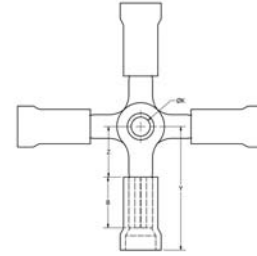
TYPE YAFW-P

B-78

HYDENT™

Terminal - Vinyl Insulated,
Four-Way Ring Tongue

Insulated 4-way terminal is constructed of 4 ring terminals riveted together through the stud holes. Allows multiple wires to be quickly and securely connected.



Features & Benefits

- Robust design of a standard insulated terminal integrated into one connector
- Standard BURNDY® tooling to install

Catalog Number	Wire Range	Insulation Type	Insulation Color	B	Z	K	Y	Installation Tooling	Wire Strip Length
YAFW18P	22 - 18 AWG	Vinyl	Red	0.25	0.23	0.15	0.73	MRE1022NV Y1022	5/16"
YAFW14P	16 - 14 AWG	Vinyl	Blue	0.25	0.28	0.15	0.78	MRE1022NV Y1022	5/16"
YAFW10P	12 - 10 AWG	Vinyl	Yellow	0.25	0.28	0.15	0.84	MRE1022NV Y1022	5/16"

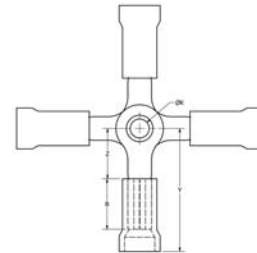
TYPE YAFW-N

HYDENT™

Terminal - Nylon Insulated,
Four-Way Ring Tongue

600 Volts Max., 105° C Max.

Insulated 4-way terminal is constructed of 4 ring terminals riveted together through the stud holes. Allows multiple wires to be quickly and securely connected.



Features & Benefits

- Robust design of a standard insulated terminal integrated into one connector
- Standard BURNDY® tooling to install

Catalog Number	Wire Range	Insulation Type	Insulation Color	B	Z	K	Y	Installation Tooling	Wire Strip Length
YAFW18N	22 - 18 AWG	2 Piece Nylon	Red	0.25	0.23	0.15	0.73	MRE1022NV Y10D Y1022	5/16"
YAFW14N	16 - 14 AWG	2 Piece Nylon	Blue	0.25	0.28	0.15	0.78	MRE1022NV Y10D Y1022	5/16"
YAFW10N	12 - 10 AWG	2 Piece Nylon	Yellow	0.25	0.28	0.15	0.84	MRE1022NV Y10D Y1022	5/16"

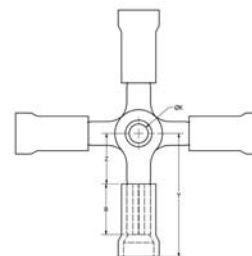
TYPE YAFW-NG

HYDENT™

Terminal - Nylon Grip Insulated, Four-Way Ring Tongue

600 Volts Max., 105° C Max.

Insulated 4-way terminal is constructed of 4 ring terminals riveted together through the stud holes. Allows multiple wires to be quickly and securely connected.



Features & Benefits

- Robust design of a standard insulated terminal integrated into one connector
- Standard BURNDY® tooling to install

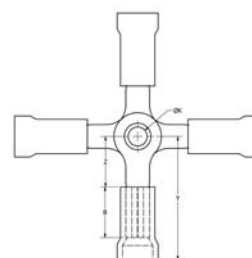
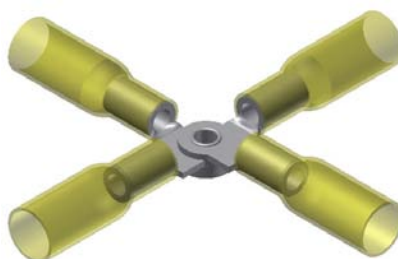
Catalog Number	Wire Range	Insulation Type	Insulation Color	B	Z	K	Y	Installation Tooling	Wire Strip Length
YAFW18NG	22 - 18 AWG	3 Piece Nylon	Red	0.25	0.23	0.15	0.73	MRE1022NV Y10D Y1022	5/16"
YAFW14NG	16 - 14 AWG	3 Piece Nylon	Blue	0.25	0.28	0.15	0.78	MRE1022NV Y10D Y1022	5/16"
YAFW10NG	12 - 10 AWG	3 Piece Nylon	Yellow	0.25	0.28	0.15	0.84	MRE1022NV Y10D Y1022	5/16"

TYPE YAFW-HS

HYDENT™

Terminal - Fully Insulated Heat Shrink, Four-Way Ring Tongue

Insulated 4-way terminal is constructed of 4 ring terminals riveted together through the stud holes. Allows multiple wires to be quickly and securely connected.



Features & Benefits

- Robust design of a standard insulated terminal integrated into one connector
- Standard BURNDY® tooling to install

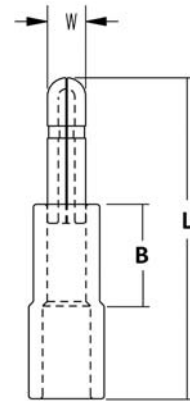
Catalog Number	Wire Range	Insulation Type	Insulation Color	B	Z	K	Y	Installation Tooling	Wire Strip Length
YAFW18HS	22 - 18 AWG	Heat Shrink	Red	0.25	0.25	0.15	1.26	MR22 Y10D Y1022	5/16"
YAFW14HS	16 - 14 AWG	Heat Shrink	Blue	0.25	0.25	0.15	1.31	MR22 Y10D Y1022	5/16"
YAFW10HS	12 - 10 AWG	Heat Shrink	Yellow	0.25	0.25	0.15	1.37	MR22 Y10D Y1022	5/16"

TYPE BULM-P

B-80

Vinyl Insulated Male Bullet-style Connectors

Type BULM-P Male Bullet connectors are vinyl insulated connectors with a flared entry for easier wire insertion. Color-coded barrels for easy wire size identification.



Features & Benefits

- Vinyl insulation
- Color-coded barrels
- Flared entry provides easier use

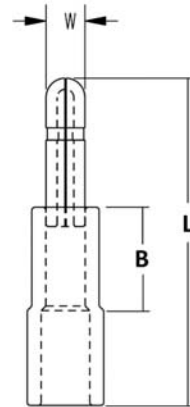
Catalog Number	Wire Range	L	W	B	Tooling	Wire Strip Length
BULM18P	22-18	0.83	0.16	0.21	MRE1022NV Y1022	5/16"
BULM14P	16-14	0.83	0.16	0.21	MRE1022NV Y1022	5/16"
BULM10P	12-10	0.83	0.20	0.21	MRE1022NV Y1022	5/16"

TYPE BULM-N

Nylon Insulated Male Bullet-style Connectors

600 Volts Max., 105° C Max.

Type BULM-N Male Bullet connectors are nylon insulated connectors with a flared entry for easier wire insertion. Color-coded barrels for easy wire size identification.



Features & Benefits

- Nylon insulation
- Color-coded barrels
- Flared entry provides easier use

Catalog Number	Wire Range	L	B	W	Installation Tooling	Wire Strip Length
BULM18N	22 - 18	0.83	0.21	0.16	MRE1022NV Y10D Y1022	5/16"
BULM14N	16 - 14	0.83	0.21	0.16	MRE1022NV Y10D Y1022	5/16"

TYPE BULM-NG

Nylon Grip Insulated Male
Bullet-style Connectors

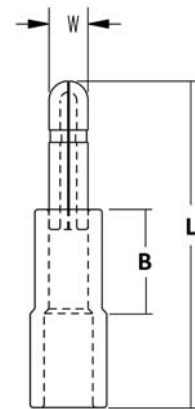
600 Volts Max., 105° C Max.

Type BULM-NG Male Bullet connectors are nylon grip insulated connectors with a flared entry for easier wire insertion. Color-coded barrels for easy wire size identification.



Features & Benefits

- Nylon grip insulation
- Color-coded barrels
- Flared entry provides easier use



Catalog Number	Wire Range	L	B	W	Installation Tooling	Wire Strip Length
BULM18NG	22 - 18	0.83	0.21	0.16	MRE1022NV Y10D Y1022	5/16"
BULM14NG	16 - 14	0.83	0.21	0.16	MRE1022NV Y10D Y1022	5/16"

TYPE BULM-HS

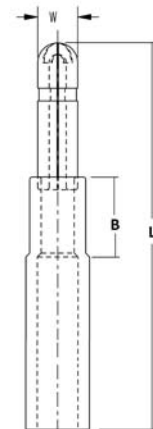
Heat Shrink Insulated Male
Bullet-style Connectors

Type BULM-HS Male Bullet connectors are heat shrink insulated connectors with a flared entry for easier wire insertion. Color-coded barrels for easy wire size identification.



Features & Benefits

- Heat Shrink insulation
- Color-coded barrels
- Flared entry provides easier use



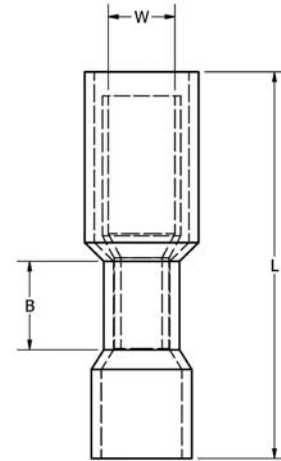
Catalog Number	Wire Range	L	B	W	Installation Tooling	Wire Strip Length
BULM18HS	22 - 18	1.30	0.21	0.16	MR22 Y10D Y1022	5/16"
BULM14HS	16 - 14	1.30	0.21	0.16	MR22 Y10D Y1022	5/16"

TYPE BULF-P

B-82

Vinyl Insulated Female Bullet-style Connectors

Type BULF-P Female Bullet vinyl insulated connectors mate with type BULM-P Male connectors. Flared insulation entry for easier wire insertion. Color-coded for wire size identification. Installed with standard BURNDY® tooling.



Features & Benefits

- Vinyl insulated
- Color-coded barrels
- Flared entry
- Uses standard BURNDY® tooling

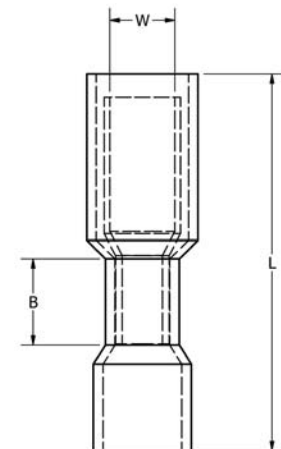
Catalog Number	Wire Range	L	B	W	Installation Tooling	Wire Strip Length
BULF18P	22 - 18	0.89	0.21	0.16	MRE1022NV Y1022	5/16"
BULF14P	16 - 14	0.89	0.21	0.16	MRE1022NV Y1022	5/16"
BULF10P	12 - 10	0.89	0.20	0.20	MRE1022NV Y1022	5/16"

TYPE BULF-N

Nylon Insulated Female Bullet-style Connectors

600 Volts Max., 105° C Max.

Type BULF-N Female Bullet nylon insulated connectors mate with BULM-N Male connectors. Flared insulation for easier wire insertion. Color-coded for wire size identification. Installed with standard BURNDY® tooling.



Features & Benefits

- Nylon insulation
- Color-coded barrels
- Flared entry
- Uses standard BURNDY® tooling

Catalog Number	Wire Range	L	B	W	Installation Tooling	Wire Strip Length
BULF18N	22 - 18	0.89	0.21	0.16	MRE1022NV Y10D Y1022	5/16"
BULF14N	16 - 14	0.89	0.21	0.16	MRE1022NV Y10D Y1022	5/16"

TYPE BULF-NG

Nylon Grip Insulated Female Bullet-style Connectors

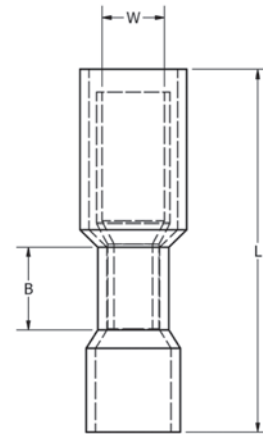
600 Volts Max., 105° C Max.

Type BULF-NG Female Bullet nylon grip insulated connectors mate with type BULM-NG Male connectors. Flared insulation entry for easier wire insertion. Color-coded for wire size identification. Installed with standard BURNDY® tooling.



Features & Benefits

- Nylon Grip insulation
- Color-coded barrels
- Flared entry
- Uses standard BURNDY® tooling

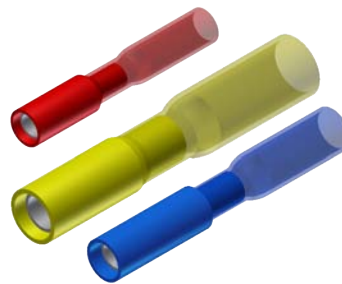


Catalog Number	Wire Range	L	B	W	Installation Tooling	Wire Strip Length
BULF18NG	22 - 18	0.89	0.21	0.16	MRE1022NV Y10D Y1022	5/16"
BULF14NG	16 - 14	0.89	0.21	0.16	MRE1022NV Y10D Y1022	5/16"

TYPE BULF-HS

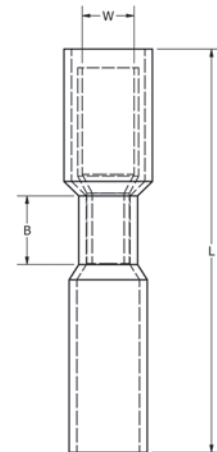
Heat Shrink Insulated Female Bullet-style Connectors

Type BULF-HS Female Bullet heat shrink insulated connectors mate with type BULM-HS connectors. Flared insulation entry for easier wire insertion. Color-coded for wire size identification. Installed with standard BURNDY® tooling.



Features & Benefits

- Heat Shrink insulation
- Color-coded barrels
- Flared entry
- Uses standard BURNDY® tooling



Catalog Number	Wire Range	L	B	W	Installation Tooling	Wire Strip Length
BULF18HS	22 - 18	1.40	0.21	0.16	MR22 Y10D Y1022	5/16"
BULF14HS	16 - 14	1.40	0.21	0.16	MR22 Y10D Y1022	5/16"
BULF10HS	12 - 10	1.40	0.20	0.20	MR22 Y10D Y1022	5/16"

TYPE PTV

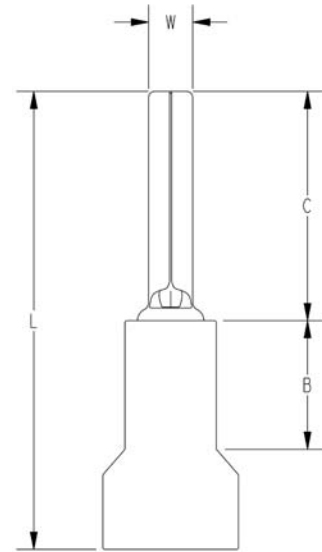
B-84

VINYLUG™

Pin Terminal

Material: Tin-Plated Brass

Insulated Pin Terminals are electrical connectors used to terminate stranded wires, creating a quality, reliable connection by ensuring each wire strand conducts current when properly crimped. This is especially useful when multiple reconnections could be necessary within terminal blocks or other similar devices. No breakage of wire strands when wire is bent, under stress or in a vibration environment.



Features & Benefits

- Provides an easy and effective way to terminate stranded wire into European/metric-style terminal blocks

Catalog Number	Wire Range	B	C	L	W	Installation Tooling	Wire Strip Length
PTV18	22 - 18 AWG	0.19	0.41	0.80	0.07	MRE1022NV Y1022	5/16"
PTV14	16 - 14 AWG	0.19	0.41	0.80	0.07	MRE1022NV Y1022	5/16"
PTV10	12 - 10 AWG	0.27	0.50	0.97	0.11	MRE1022NV Y1022	5/16"

TYPE YF-UI

BARE FERRULES

For Use On Copper Conductor



B-85

Wire ferrules are also known as cord end terminals or bootlace ferrules. These are electrical connectors used to terminate stranded wires. These terminals are made of electrolytically tin plated copper, uninsulated ferrules are designed to form neat end terminations to multi-strand cables or wires. Smooth funnel entry assists in wire

insertion. Specifically designed to aid in termination of extra flexible fine stranded conductor, provides enhanced flexibility relating to wire termination and management. A positive contact surface helps ensure system integrity.

Features & Benefits

- Made of electrolytic copper, tin plated
- Seamless barrels
- Smooth funnel entry to make wire insertion easier
- RoHS compliant

Catalog Number	Wire Size		Dimensions in Inches				Recommended Tooling
	AWG	mm ²	L1 Dim (in)	D Dim (in)	D1 Dim (in)	D2 Dim (in)	
YF2807UI	28	0.14	0.28	0.04	0.03	0.06	YF3206TOOL
YF2605UI	26	0.25	0.19	0.04	0.03	0.06	YF3206TOOL YF2610TOOL
YF2607UI	26	0.25	0.28	0.04	0.03	0.06	
YF2405UI	24	0.34	0.19	0.05	0.03	0.06	YF3206TOOL YF2610TOOL
YF2407UI	24	0.34	0.28	0.05	0.03	0.06	
YF2206UI	22	0.50	0.24	0.05	0.04	0.09	YF3206TOOL YF2610TOOL YF2214TOOL YF2210TOOL YF2210FL
YF2208UI	22	0.50	0.32	0.05	0.04	0.07	
YF2210UI	22	0.50	0.40	0.05	0.04	0.07	
YF2212UI	22	0.50	0.40	0.05	0.04	0.07	
YF2006UI	20	0.75	0.24	0.06	0.05	0.10	
YF2010UI	20	0.75	0.39	0.06	0.05	0.08	
YF2012UI	20	0.75	0.47	0.06	0.05	0.08	
YF1806UI	18	1.00	0.24	0.07	0.06	0.11	
YF1808UI	18	1.00	0.32	0.07	0.06	0.09	
YF1810UI	18	1.00	0.39	0.07	0.06	0.09	
YF1812UI	18	1.00	0.47	0.07	0.06	0.09	
YF1607UI	16	1.50	0.28	0.08	0.07	0.09	
YF1608UI	16	1.50	0.32	0.08	0.07	0.12	
YF1610UI	16	1.50	0.39	0.08	0.07	0.12	
YF1612UI	16	1.50	0.47	0.08	0.07	0.12	
YF1618UI	16	1.50	0.71	0.08	0.07	0.12	
YF1407UI	14	2.50	0.28	0.10	0.09	0.13	
YF1408UI	14	2.50	0.32	0.10	0.09	0.13	
YF1410UI	14	2.50	0.39	0.10	0.09	0.13	
YF1412UI	14	2.50	0.47	0.10	0.09	0.13	
YF1418UI	14	2.50	0.71	0.10	0.09	0.13	
YF1209UI	12	4.00	0.35	0.13	0.11	0.15	YF3206TOOL YF2610TOOL YF2210TOOL YF2210FL
YF1212UI	12	4.00	0.47	0.13	0.11	0.17	
YF1215UI	12	4.00	0.59	0.13	0.11	0.15	
YF1218UI	12	4.00	0.71	0.13	0.11	0.15	
YF1010UI	10	6.00	0.39	0.15	0.14	0.19	YF3206TOOL YF2610TOOL YF2210TOOL YF1006TOOL YF2210FL
YF1012UI	10	6.00	0.47	0.15	0.14	0.19	
YF1015UI	10	6.00	0.59	0.15	0.14	0.19	
YF1018UI	10	6.00	0.71	0.15	0.14	0.19	

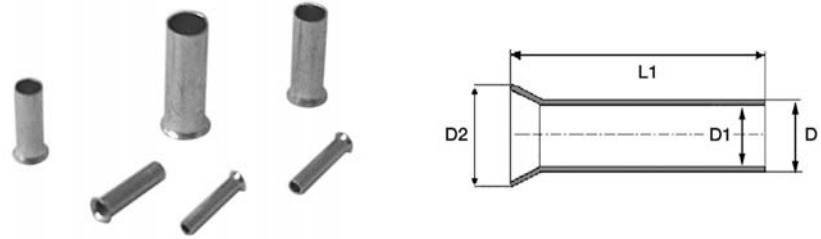
TYPE YF-UI

(Continued)

B-86

BARE FERRULES

For Use On Copper Conductor



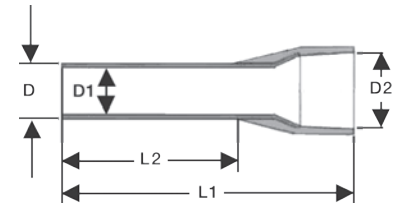
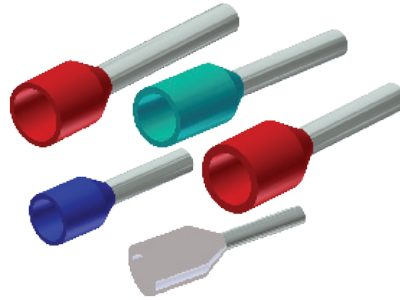
Catalog Number	Wire Size		Dimensions in Inches				Recommended Tooling	
	AWG	mm ²	L1 Dim (in)	D Dim (in)	D1 Dim (in)	D2 Dim (in)		
YF0812UI	8	10.00	0.47	0.19	0.18	0.29	YF3206TOOL YF1006TOOL YF0801TOOL	
YF0815UI	8	10.00	0.59	0.19	0.18	0.29		
YF0818UI	8	10.00	0.71	0.19	0.18	0.29		
YF0612UI	6	16.00	0.47	0.24	0.23	0.30		
YF0615UI	6	16.00	0.59	0.24	0.23	0.30		
YF0618UI	6	16.00	0.71	0.24	0.23	0.30		
YF0625UI	6	16.00	0.98	0.24	0.23	0.30	YF0801TOOL YF0401TOOL	
YF0412UI	4	25.00	0.47	0.31	0.29	0.38		
YF0415UI	4	25.00	0.59	0.31	0.29	0.38		
YF0418UI	4	25.00	0.70	0.31	0.29	0.38		
YF0420UI	4	25.00	0.79	0.31	0.29	0.38		
YF0425UI	4	25.00	0.98	0.31	0.29	0.38		
YF0432UI	4	25.00	1.26	0.31	0.29	0.38		
YF0215UI	2	35.00	0.59	0.34	0.33	0.42		
YF0220UI	2	35.00	0.79	0.34	0.33	0.42		
YF0225UI	2	35.00	0.98	0.34	0.33	0.42		
YF0232UI	2	35.00	1.26	0.34	0.33	0.42		
YF0122UI	1	50.00	0.87	0.43	0.41	0.52		
YF0125UI	1	50.00	0.98	0.43	0.41	0.52		
YF0132UI	1	50.00	1.26	0.43	0.41	0.52		
YF2/022UI	2/0	70.00	0.87	0.56	0.53	0.64		YF1/03/0TOOL
YF2/025UI	2/0	70.00	0.98	0.56	0.53	0.64		
YF2/032UI	2/0	70.00	1.26	0.56	0.53	0.64		
YF3/025UI	3/0	95.00	0.98	0.61	0.58	0.68		
YF3/030UI	3/0	95.00	1.18	0.61	0.58	0.68		
YF3/032UI	3/0	95.00	1.26	0.61	0.58	0.68		
YF4/032UI	4/0	120.00	1.26	0.70	0.70	0.81	YF4/0250TOOL	
YF4/034UI	4/0	120.00	1.39	0.70	0.70	0.81		
YF4/040UI	4/0	120.00	1.57	0.70	0.70	0.81		
YF25032UI	250	150.00	1.26	0.81	0.77	0.91	Y644HSXT	
YF25040UI	250	150.00	1.57	0.81	0.77	0.91		
YF35032UI	350	185.00	1.26	0.84	0.79	0.94		
YF35040UI	350	185.00	1.57	0.84	0.80	0.94		

TYPE YF-I FERRULES

Series D, T & W

INSULATED FERRULES

For Use On Copper Conductor
Offered in Series D, T & W



B-87

Ferrules are electrical connectors used to terminate stranded wires, creating a quality, reliable connection by ensuring each wire strand conducts current when properly crimped. Especially useful when multiple reconnections could be necessary within terminal blocks or other similar devices. No breakage of wire strands when wire is bent, under stress or in a vibration environment. Twin ferrule designs allow two individual stranded conductors to be connected to the same termination, most beneficial in jumpering or other similar applications. Both styles (single and twin) offer the

same features and benefits. The YF-TOOL series has been designed to crimp both the bare (type YF-U) and insulated (type YF-I) ferrules.

Features & Benefits

- Made of electrolytic copper, tin plated
- Smooth funnel entry to make wire insertion easier

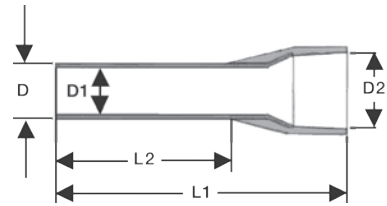
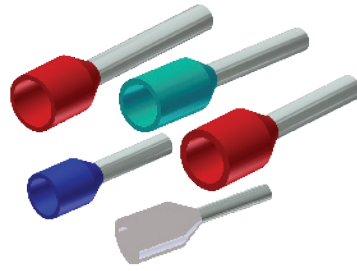
- Secure contacting even after multiple reconnections
- Long-term contact resistance
- No fraying of strands
- No breakage of wire strands when wire is bent, under stress or in vibration environment
- RoHS compliant

W Series	D Series	T Series	Wire Size		Dimensions in Inches					Bag Qty	Tooling
			AWG	mm ²	L1 (in)	L2 (in)	D (in)	D1 (in)	D2 (in)		
YF2806IW Gray	—	YF2806IT Brown	28	0.14	0.39	0.22	0.04	0.03	0.07	500	YF3206TOOL
YF2808IW Gray	—	YF2808IT Brown	28	0.14	0.49	0.32	0.04	0.03	0.04	500	
YF2606IW Lt. Blue	YF2606ID Purple	YF2606IT Yellow	26	0.25	0.40	0.23	0.05	0.03	0.08	500	YF3206TOOL, YF2610TOOL
YF2608IW Lt. Blue	YF2608ID Purple	YF2608IT Yellow	26	0.25	0.49	0.32	0.04	0.03	0.08	500	
YF2406IW Turquoise	—	YF2406IT Pink	24	0.34	0.48	0.31	0.04	0.03	0.08	500	
YF2408IW Turquoise	—	YF2408IT Pink	24	0.34	0.40	0.31	0.04	0.03	0.08	500	
YF2205IW Orange	YF2205ID White	YF2205IT White	22	0.50	0.44	0.21	0.05	0.04	0.11	500	YF3206TOOL, YF2610TOOL, YF2214TOOL, YF2210TOOL, YF2210FL
YF2206IW Orange	YF2206ID White	YF2206IT White	22	0.50	0.47	0.24	0.05	0.04	0.10	500	
YF2208IW Orange	YF2208ID White	YF2208IT White	22	0.50	0.55	0.32	0.05	0.04	0.11	500	
YF2210IW Orange	YF2210ID White	YF2210IT White	22	0.50	0.63	0.39	0.05	0.04	0.10	500	
YF2212IW Orange	YF2212ID White	YF2212IT White	22	0.50	0.47	0.24	0.05	0.04	0.10	500	
YF2006IW White	YF2206ID Gray	YF2006IT Blue	20	0.75	0.47	0.24	0.06	0.05	0.11	500	
YF2008IW White	YF2008ID Gray	YF2008IT Blue	20	0.75	0.56	0.31	0.06	0.05	0.12	500	
YF2010IW White	YF2010ID Gray	YF2010IT Blue	20	0.75	0.63	0.39	0.06	0.05	0.11	500	
YF2012IW White	YF2012ID Gray	YF2012IT Blue	20	0.75	0.71	0.47	0.06	0.05	0.11	500	
YF2018IW White	YF2018ID Gray	YF2018IT Blue	20	0.75	0.96	0.71	0.06	0.05	0.11	500	
YF1806IW Yellow	YF1806ID Red	YF1806IT Red	18	1.00	0.47	0.24	0.07	0.06	0.12	500	

TYPE YF-I FERRULES

Series D, T & W

(Continued)



B-88

INSULATED FERRULES

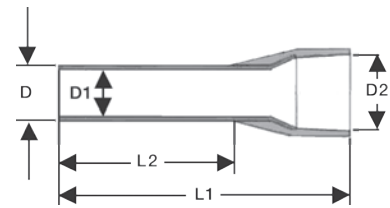
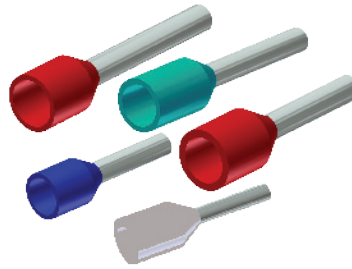
W Series	D Series	T Series	Wire Size		Dimensions in Inches					Bag Qty	Tooling
			AWG	mm ²	L1 (in)	L2 (in)	D (in)	D1 (in)	D2 (in)		
YF1808IW Yellow	YF1808ID Red	YF1808IT Red	18	1.00	0.56	0.32	0.07	0.05	0.12	500	YF3206TOOL, YF2610TOOL, YF2214TOOL, YF2210TOOL, YF2210FL
YF1810IW Yellow	YF1810ID Red	YF1810IT Red	18	1.00	0.63	0.39	0.07	0.06	0.12	500	
YF1812IW Yellow	YF1812ID Red	YF1812IT Red	18	1.00	0.71	0.47	0.07	0.06	0.12	500	
YF1818IW Yellow	YF1818ID Red	YF1818IT Red	18	1.00	0.96	0.71	0.07	0.06	0.12	500	
YF1606IW Red	YF1606ID Black	YF1606IT Black	16	1.50	0.48	0.24	0.08	0.07	0.14	500	
YF1608IW Red	YF1608ID Black	YF1608IT Black	16	1.50	0.55	0.32	0.08	0.07	0.14	500	
YF1610IW Red	YF1610ID Black	YF1610IT Black	16	1.50	0.63	0.39	0.08	0.07	0.14	500	
YF1612IW Red	YF1612ID Black	YF1612IT Black	16	1.50	0.71	0.47	0.08	0.07	0.14	500	
YF1615IW Red	YF1615ID Black	YF1615IT Black	16	1.50	0.84	0.59	0.08	0.07	0.14	500	
YF1618IW Red	YF1618ID Black	YF1618IT Black	16	1.50	0.95	0.71	0.08	0.07	0.14	500	
YF1408IW Blue	YF1408ID Blue	YF1408IT Gray	14	2.50	0.62	0.32	0.10	0.09	0.17	500	
YF1410IW Blue	YF1410ID Blue	YF1410IT Gray	14	2.50	0.69	0.39	0.09	0.09	0.17	500	
YF1412IW Blue	YF1412ID Blue	YF1412IT Gray	14	2.50	0.71	0.47	0.09	0.09	0.17	500	
YF1418IW Blue	YF1418ID Blue	YF1418IT Gray	14	2.50	0.95	0.71	0.09	0.09	0.17	500	
YF1209IW Gray	YF1209ID Gray	YF1209IT Orange	12	4.00	0.65	0.32	0.13	0.11	0.19	500	YF3206TOOL, YF2610TOOL, YF2210TOOL, YF2210FL
YF1210IW Gray	YF1210ID Gray	YF1210IT Orange	12	4.00	0.71	0.39	0.13	0.11	0.13	500	
YF1212IW Gray	YF1212ID Gray	YF1212IT Orange	12	4.00	0.79	0.47	0.13	0.11	0.19	500	
YF1218IW Gray	YF1218ID Gray	YF1218IT Orange	12	4.00	1.02	0.71	0.13	0.11	0.19	500	
YF1010IW Black	YF1010ID Yellow	YF1010IT Green	10	6.00	0.73	0.39	0.15	0.14	0.25	100	
YF1012IW Black	YF1012ID Yellow	YF1012IT Green	10	6.00	0.82	0.47	0.15	0.14	0.23	100	
YF1018IW Black	YF1018ID Yellow	YF1018IT Green	10	6.00	1.02	0.71	0.15	0.15	0.25	100	

TYPE YF-I FERRULES

Series D, T & W

(Continued)

INSULATED FERRULES



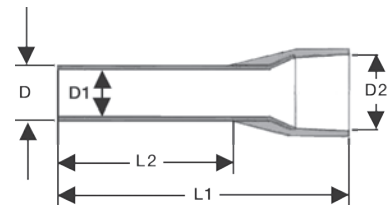
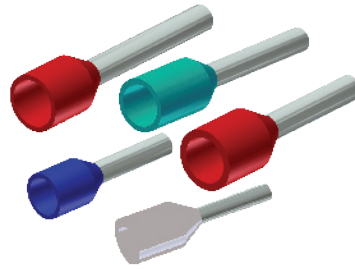
B-89

W Series	D Series	T Series	Wire Size		Dimensions in Inches					Bag Qty	Tooling
			AWG	mm ²	L1 (in)	L2 (in)	D (in)	D1 (in)	D2 (in)		
YF0812IW Ivory	YF0812ID Red	YF0812IT Brown	8	10.00	0.91	0.46	0.19	0.18	0.31	100	YF3206TOOL, YF1006TOOL, YF0801TOOL
YF0815IW Ivory	YF0815ID Red	YF0815IT Brown	8	10.00	0.93	0.59	0.19	0.18	0.29	100	
YF0818IW Ivory	YF0818ID Red	YF0818IT Brown	8	10.00	1.10	0.71	0.19	0.18	0.29	100	
YF0612IW Green	YF0612ID Blue	YF0612IT Ivory	6	16.00	0.89	0.43	0.25	0.23	0.34	100	
YF0618IW Green	YF0618ID Blue	YF0618IT Ivory	6	16.00	0.89	0.43	0.25	0.23	0.34	100	
YF0412IW Brown	YF0412ID Yellow	YF0412IT Black	4	25.00	0.94	0.47	0.31	0.29	0.44	100	
YF0415IW Brown	YF0415ID Yellow	YF0415IT Black	4	25.00	1.06	0.59	0.30	0.29	0.44	100	
YF0416IW Brown	YF0416ID Yellow	YF0416IT Black	4	25.00	1.10	0.63	0.30	0.29	0.44	100	
YF0418IW Brown	YF0418ID Yellow	YF0418IT Black	4	25.00	1.18	0.71	0.30	0.29	0.44	100	
YF0422IW Brown	YF0422ID Yellow	YF0422IT Black	4	25.00	1.42	0.87	0.30	0.29	0.44	100	
YF0425IW Brown	YF0425ID Yellow	YF0425IT Black	4	25.00	1.45	0.98	0.30	0.29	0.44	100	
YF0216IW Beige	YF0216ID Red	YF0216IT Beige	2	35.00	1.17	0.64	0.34	0.32	0.48	100	
YF0218IW Beige	YF0218ID Red	YF0218IT Beige	2	35.00	1.26	0.71	0.34	0.33	0.50	100	
YF0222IW Beige	YF0222ID Red	YF0222IT Beige	2	35.00	1.41	0.87	0.34	0.33	0.50	100	
YF0225IW Beige	YF0225ID Red	YF0225IT Beige	2	35.00	1.53	0.98	0.34	0.33	0.50	100	
YF0112IW Olive Green	YF0112ID Blue	YF0112IT Olive Green	1	50.00	1.10	0.47	0.43	0.41	0.59	50	
YF0116IW Olive Green	YF0116ID Blue	YF0116IT Olive Green	1	50.00	1.26	0.63	0.43	0.41	0.59	50	
YF0120IW Olive Green	YF0120ID Blue	YF0120IT Olive Green	1	50.00	1.45	0.79	0.43	0.40	0.58	50	
YF0122IW Olive Green	YF0122ID Blue	YF0122IT Olive Green	1	50.00	1.50	0.87	0.43	0.41	0.59	50	
YF0125IW Olive Green	YF0125ID Blue	YF0125IT Olive Green	1	50.00	0.98	0.43	0.43	0.41	0.59	50	
YF0130IW Olive Green	YF0130ID Blue	YF0130IT Olive Green	1	50.00	1.18	0.43	0.43	0.41	0.59	50	
—	YF2/020ID Yellow	—	2/0	70.00	1.45	0.79	0.56	0.53	0.63	25	YF1/03/0TOOL
—	YF2/025ID Yellow	—	2/0	70.00	1.65	0.98	0.56	0.53	0.63	25	
—	YF2/027ID Yellow	—	2/0	70.00	1.73	1.06	0.56	0.53	0.63	25	
—	YF3/025ID Red	—	3/0	95.00	1.73	0.98	0.61	0.58	0.73	25	
—	YF3/030ID Red	—	3/0	95.00	1.95	1.18	0.61	0.58	0.73	25	

TYPE YF-I FERRULES

Series D, T & W

(Continued)



B-90

INSULATED FERRULES

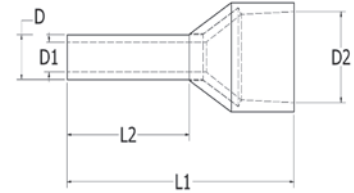
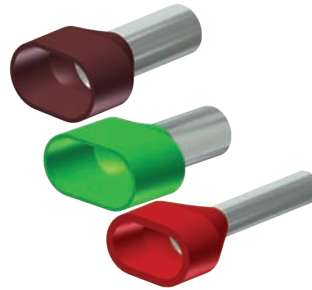
W Series	D Series	T Series	Wire Size		Dimensions in Inches					Bag Qty	Tooling
			AWG	mm ²	L1 (in)	L2 (in)	D (in)	D1 (in)	D2 (in)		
—	YF4/027ID Blue	—	4/0	120.00	1.87	1.06	0.70	0.66	0.80	25	YF4/0250TOOL
—	YF4/030ID Blue	—	4/0	120.00	2.01	1.18	0.70	0.66	0.80	25	
—	YF4/032ID Blue	—	4/0	120.00	2.07	1.26	0.70	0.66	0.80	25	
—	YF4/034ID Blue	—	4/0	120.00	2.15	1.34	0.70	0.66	0.80	25	
—	YF25025ID Yellow	—	250	150.00	1.99	0.98	0.81	0.77	0.92	25	
—	YF25027ID Yellow	—	250	150.00	2.07	1.06	0.81	0.77	0.92	25	
—	YF25032ID Yellow	—	250	150.00	2.27	1.26	0.81	0.77	0.92	25	
—	YF25038ID Yellow	—	250	150.00	2.50	1.50	0.81	0.77	0.92	25	

TYPE YF-TW

INSULATED TWIN FERRULES

For Use on Copper Conductor

Ferrules are electrical connectors used to terminate stranded wires, creating a quality, reliable connection by ensuring each wire strand conducts current when properly crimped. Especially useful when multiple reconnections could be necessary within terminal blocks or other similar devices. No breakage of wire strands when wire is bent, under stress or in a vibration environment. Twin ferrule designs allow two individual stranded conductors to be connected to the same termination, most beneficial in jumpering or other similar applications. Both styles (single and twin) offer the



B-91

same features and benefits. The YF-TOOL series has been designed to crimp both the bare (type YF) and insulated (type YF-I) ferrules.

Features & Benefits

- Made of electrolytic copper, tin plated
- Smooth funnel entry to make wire insertion easier

- Secure contacting even after multiple reconnections
- Long-term contact resistance
- No fraying of strands
- No breakage of wire strands when wire is bent, under stress or in vibration environment
- RoHS compliant

Catalog Number			Wire sizes		Dimensions in Inches					Tooling	Bag Qty
W Series	T Series	D Series	AWG	mm ²	L1 Dim (in)	L2 Dim (in)	D Dim (in)	D1 Dim (in)	D2 Dim (in)		
YFTW2208W Orange	YFTW2208T White	YFTW2208D White	22 AWG	0.50	0.60	0.30	0.07	0.06	0.19	YF32016TOOL YF2210TOOL YF2210FL	100
YFTW2010W White	YFTW2010T Lt. Blue	YFTW2010D Gray	20 AWG	0.75	0.66	0.39	0.08	0.07	0.22		
YFTW2008W White	YFTW2008T Lt. Blue	YFTW2008D Gray	20 AWG	0.75	0.60	0.31	0.08	0.07	0.20		
YFTW1810W Yellow	YFTW1810T Red	YFTW1810D Red	18 AWG	1.00	0.67	0.39	0.09	0.08	0.22		
YFTW1808W Yellow	YFTW1808T Red	YFTW1808D Red	18 AWG	1.00	0.62	0.31	0.09	0.08	0.22		
YFTW1612W Red	YFTW1612T Black	YFTW1612D Black	16 AWG	1.50	0.77	0.47	0.10	0.09	0.25		
YFTW1608W Red	YFTW1608T Black	YFTW1608D Black	16 AWG	1.50	0.65	0.31	0.10	0.09	0.26		
YFTW1413W Blue	YFTW1413T Gray	YFTW1413D Blue	14 AWG	2.50	0.85	0.51	0.13	0.11	0.32		
YFTW1410W Blue	YFTW1410T Gray	YFTW1410D Blue	14 AWG	2.50	0.77	0.39	0.13	0.11	0.31		
YFTW1212W Gray	YFTW1212T Orange	YFTW1212D Gray	12 AWG	4.00	0.92	0.46	0.17	0.15	0.36		
YFTW1014W Black	YFTW1014T Green	YFTW1014D Yellow	10 AWG	6.00	0.99	0.53	0.21	0.19	0.41	YF0801TOOL YF1006TOOL	500
YFTW0814W Beige	YFTW0814T Brown	YFTW0814D Red	8 AWG	10.00	1.04	0.55	0.27	0.25	0.51		
YFTW0614W Green	YFTW0614T Ivory	YFTW0614D Blue	6 AWG	16.00	1.23	0.55	0.34	0.33	0.75		

SMALL TERMINAL KITS

B-92

PACKAGED KITS OF VARIOUS TYPES OF SMALL TERMINALS

For Use On Copper Conductor

Small Terminal Kits are packaged in reusable plastic cases with secure compartments for each type of connector. Clearly marked on the inside front cover with part numbers and descriptions, the kits contain some of the most common terminals needed on everyday installations.



Features & Benefits

- Quality terminals of various types packaged together for convenience
- Color-coded barrels
- Reusable, refillable container
- Clearly marked with part numbers and descriptions on inside cover

Catalog Number: STKIT08

Contains:

Kit	Catalog Number	Quantity	Description
STKIT08	SP14	20	#16 - #14 AWG splice; vinyl insulation
	QP14M25X03D	10	#16 - #14 AWG male disconnect; .250 tab size; vinyl insulation
	QP14F25X03	10	#16 - #14 AWG female disconnect; .250 tab size; vinyl insulation
	TP14-10	20	#16 - #14 AWG ring terminal; 8 - 10 stud size; vinyl insulation
	TP14-10F	20	#16 - #14 AWG fork terminal; 8 - 10 stud size; vinyl insulation
	SP10	10	#12 - #10 AWG splice; vinyl insulation
	TP10-10	20	#12 - #10 AWG ring terminal; 8 - 10 stud size; vinyl insulation
	TP10-10F	20	#12 - #10 AWG fork terminal; 8 - 10 stud size; vinyl insulation

Catalog Number: STKIT15

Contains:

Kit	Catalog Number	Quantity	Description
STKIT15	QP18M18X02D	20	#22 - #18 AWG male disconnect; .187 tab; vinyl insulation
	QP18M25X03D	20	#22 - #18 AWG male disconnect; .250 tab; vinyl insulation
	QP18F18X02D	20	#22 - #18 AWG female disconnect; .187 tab; vinyl insulation
	QP18F25X03D	20	#22 - #18 AWG female disconnect; .250 tab; vinyl insulation
	BULM18P	20	#22 - #18 AWG male bullet disconnect; vinyl insulation
	BULF18P	20	#22 - #18 AWG female bullet disconnect; vinyl insulation
	SP18	20	#22 - #18 AWG splice; vinyl insulation
	QP14M18X02D	20	#16 - #14 AWG male disconnect; .187 tab; vinyl insulation
	QP14M25X03D	20	#16 - #14 AWG male disconnect; .250 tab; vinyl insulation
	QP14F18X02D	20	#16 - #14 AWG female disconnect; .187 tab; vinyl insulation
	QP14F25X03D	20	#16 - #14 AWG female disconnect; .250 tab; vinyl insulation
	BULM14P	20	#16 - #14 AWG male bullet disconnect; vinyl insulation
	BULF14P	20	#16 - #14 AWG female bullet disconnect; vinyl insulation
	SP14	20	#16 - #14 AWG splice; vinyl insulation
	SP10	20	#12 - #10 AWG splice; vinyl insulation

TYPE HSKIT

HYDENT™ HEAT SHRINK CONNECTORS AND INSTALLATION TOOL



For Use On Copper Conductor

Standard crimp terminals leave the wire exposed allowing in moisture or other contaminants which can result in corrosion. Heat shrink terminals provide a durable seal, blocking out contaminants, ensuring a better connection.

Features & Benefits

- Made from pure copper, annealed for maximum strength
- Color-coded, imprinted with wire size
- Serrated barrels offer maximum wire contact and tensile strength
- Electro tin plated for corrosion resistance
- Wire strip length 5/16"

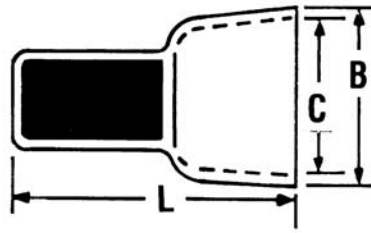
List of Items Included in HSKIT							
Quantity of Pieces included in kit	Description	Conductor Size	Stud Size	Quantity of Pieces included in kit	Description	Conductor Size	Stud Size
50	Butt Splice	22 - 18 AWG	—	10	Fork Terminal	22 - 18 AWG	#6
50	Butt Splice	16 - 14 AWG	—	10	Fork Terminal	22 - 18 AWG	#8
30	Butt Splice	12 - 10 AWG	—	10	Fork Terminal	22 - 18 AWG	#10
15	Butt Splice	#8 AWG	—	10	Fork Terminal	16 - 14 AWG	#6
10	Ring Terminal	22 - 18 AWG	#6	10	Fork Terminal	16 - 14 AWG	#8
10	Ring Terminal	22 - 18 AWG	#8	10	Fork Terminal	16 - 14 AWG	#10
10	Ring Terminal	22 - 18 AWG	#10	10	Fork Terminal	12 - 10 AWG	#6
10	Ring Terminal	22 - 18 AWG	5/16"	10	Fork Terminal	12 - 10 AWG	#8
10	Ring Terminal	22 - 18 AWG	1/4"	10	Fork Terminal	12 - 10 AWG	#10
10	Ring Terminal	22 - 18 AWG	3/8"	15	Fork Terminal	#8 AWG	3/8"
10	Ring Terminal	16 - 14 AWG	#8	50 (25 ea)	Male & Female Quick Disc.	22 - 18 AWG	—
10	Ring Terminal	16 - 14 AWG	#10	50 (25 ea)	Male & Female Quick Disc.	16 - 14 AWG	—
10	Ring Terminal	16 - 14 AWG	5/16"	50 (25 ea)	Male & Female Quick Disc.	12 - 10 AWG	—
10	Ring Terminal	16 - 14 AWG	1/4"	30 (15 ea)	Male & Female Bullet	16 - 14 AWG	—
10	Ring Terminal	16 - 14 AWG	3/8"	20 (10 ea)	Male & Female Ins. Quick Disc.	22 - 18 AWG	—
10	Ring Terminal	16 - 14 AWG	#6	20 (10 ea)	Male & Female Ins. Quick Disc.	16 - 14 AWG	—
10	Ring Terminal	12 - 10 AWG	#8	20 (10 ea)	Male & Female Ins. Quick Disc.	12 - 10 AWG	—
10	Ring Terminal	12 - 10 AWG	#10	10	Step Down Butt Splice	16 - 14 to 22 - 18 AWG	—
10	Ring Terminal	12 - 10 AWG	5/16"	10	Step Down Butt Splice	12 - 10 to 16 - 14 AWG	—
10	Ring Terminal	12 - 10 AWG	1/4"	1	Ratchet Crimp Tool	—	—
10	Ring Terminal	12 - 10 AWG	3/8"	1	Metal Case with Dividers	—	—
15	Ring Terminal	#8 AWG	#10				

BURCAP TYPES YQE, RK

B-94

PIGTAIL SPLICE,
NYLON-INSULATED

Rated at 600 volts for building wire and 1000 volts for fixtures and signs, the BURCAP is designed to splice a wide range of different cable sizes.



Catalog Number	Wire Combinations								Total Area Circular Mils	Dimension in Inches			Installation Tools M8ND, Y8ND, HYTOOL™	Wire Strip Length
										L	B	C		
YQE-91†	1 # 16 & 1 # 18,								4205	0.76	0.30	0.24	N150WT	5/16"
	2# 18								3250					
*RK141-2	RK141ABOX100				RK142ABOX100				500 - 5,180	0.61 (16, 4)	0.31 (7, 9)	0.27 (8, 6)		
	22	20	18	16	18	16	14	12						
*RK142-2	7					1		1	2,400 - 13,100	0.72 (18, 3)	0.44 (11, 2)	0.38 (9, 8)		
	6	1				2		1						
	5		1			3		1						
	4	2			1			1						
	4		1		2			1						
	3	2			3			1						
	3		2			1	1							
	3			1		2	1							
	2	3			1		1							
	2		2		2		1							
	2			1	3		1							
	1	4			2	2	1							
	1		2				2							
	1			1	1	1								
		4			2	1								
		3	1		3	1								
		2	2		4	1								
		2		1	1	2								
		1	2		2	2								
		1		1	3	2								
			3			2								
			2		1	3								
						3								
							5							

NOTE:

* Convenience Package. For Box quantity, order RK141ABOX100 and RK142ABOX100 respectively.

† This item is UL Listed

TABLE OF CONTENTS

C-1

Compression Connectors

Connector Selector Chart.....C-3
 Compression Connectors Information.....C-4
 Ampacity Rating, Selection and Use, Tooling.....C-4
 Installation Hardware, Industry StandardsC-4
 Telecommunications Connector InformationC-5
 Wire Definitions.....C-5
 Plating Objective Table.....C-5

Expanded Ranges

644 Series of Tools.....C-6
 4-POINT™ Series of ToolsC-7

Die Information

U Die and W Die SetsC-9
 Die Index Chart.....C-10

Copper Compression - Code

One Hole Standard Barrel.....C-11
 One Hole Standard Barrel Narrow TongueC-16
 One Hole Long BarrelC-19
 One Hole Long Barrel w/ Inspection Window.....C-23
 Two Hole Standard BarrelC-27
 Two Hole Standard Barrel Narrow Tongue.....C-31
 Two Hole Long Barrel.....C-33
 Two Hole Long Barrel Narrow TongueC-37
 Two Hole Long Barrel w/ Inspection WindowC-41
 Four Hole Long Barrel.....C-46

Copper Compression - Flex

Copper Flex Wire Table.....C-47
 One Hole Standard Barrel.....C-48
 One Hole Standard Barrel Narrow TongueC-52
 One Hole Standard Barrel No WindowC-55
 One Hole Standard Barrel, Belled EndC-58
 One Hole Long Barrel w/ Inspection Window.....C-60
 One Hole Long Barrel, Belled End, No Window.....C-63
 Two Hole Standard BarrelC-66
 Two Hole Standard Barrel Narrow Tongue.....C-70
 Two Hole Long Barrel w/ Inspection WindowC-73
 Two Hole Long Barrel, Belled End, No WindowC-77
 Two Hole Long Barrel Narrow TongueC-81
 One Hole Standard Barrel, Lead Plated.....C-83
 Two Hole Standard Barrel, Lead Plated.....C-87

Unique Feature Compression Connectors

Break-Away HYLUG™ Long Barrel (Copper).....C-91
 Break-Away HYLUG™ Long Barrel (Aluminum).....C-93
 Copper/Aluminum Wind Turbine KitsC-95
 Blank Tongue Long Barrel.....C-96
 Two Hole Double BarrelC-99
 Two Hole Standard Barrel, Slotted.....C-100

Two Hole Long Barrel, SlottedC-101
 Two Hole Long Barrel, Slotted w/ Inspection Window...C-102
 Two Hole Long Barrel, Slotted w/ Inspection Window (Flex)
C-103
 Split Tongue Standard BarrelC-105
 Split Tongue Long Barrel.....C-107
 Equipment Line, One & Two Hole Narrow Tongue.....C-108

Metric Compression Connectors

One Hole Standard Barrel - CodeC-111
 One Hole Long Barrel - Code.....C-115
 Two Hole Standard Barrel - CodeC-118
 Two Hole Long Barrel - Code.....C-121
 One Hole Standard Barrel - Flex.....C-125
 One Hole Long Barrel - FlexC-128
 Two Hole Standard Barrel - FlexC-131
 Two Hole Long Barrel - Flex.....C-134

Copper Adaptor Connectors

HYPLUG™ Compression.....C-137
 HYSTACK™ StackingC-141

Copper Compression Splices

Uninsulated Parallel SpliceC-143
 Copper Compression Standard Barrel SpliceC-145
 Copper Compression Long Barrel Splice.....C-146
 Reducing Adapter for Copper.....C-148
 Copper Compression Standard Barrel Belled Ends.....C-149
 High-Voltage Standard Barrel Tapered EndsC-152
 Copper Compression Long Barrel Belled EndsC-154

Copper Compression In Line Splice Kits

Code/Flex Standard Barrel w/ Inspection Window.....C-157
 Reducing Splice Kit Code/Flex Standard Barrel
 w/ Inspection WindowC-158
 Reducing Splice Kit Code/Flex Standard Barrel
 No Window.....C-172
 Reducing Splice Kit Code/Flex Long Barrel
 w/ Inspection WindowC-176
 Reducing Splice Kit Code/Flex Long Barrel
 No Window.....C-182

Compression Tap Connectors

Thin Wall Copper C-TapC-185
 C-Tap.....C-187
 C-Tap CRIMPIT™C-188
 H-Tap CRIMPIT™C-189
 H-Tap Flame Retardant Cover (black)C-193
 H-Tap Flame Retardant Cover (black)
 for O, D3, N & KR Die Size H-Tap.....C-194
 H-Tap Flame Retardant Cover (clear).....C-195
 Split H Copper CRIMPIT™C-196

TABLE OF CONTENTS
(Continued)

C-2

Copper Compression T-Coupler

Copper HYTEE™ CouplerC-198

Aluminum Compression Connections

One Hole for Aluminum/CopperC-199

Two and Four Hole for Aluminum/CopperC-202

Transformer Lug Kit.....C-205

Aluminum Adaptor Connectors

HYPLUG™ for Aluminum/CopperC-206

Aluminum Compression Splices

HYLINK™ for Aluminum/CopperC-208

High Voltage Tapered Ends.....C-210

Reducing Splice for Aluminum/CopperC-211

Aluminum Compression Taps

H-Tap for Aluminum/Copper.....C-212

Bolted Run/Compression Tee Tap

T-Connector Type NYT.....C-213

Compression Battery Terminals

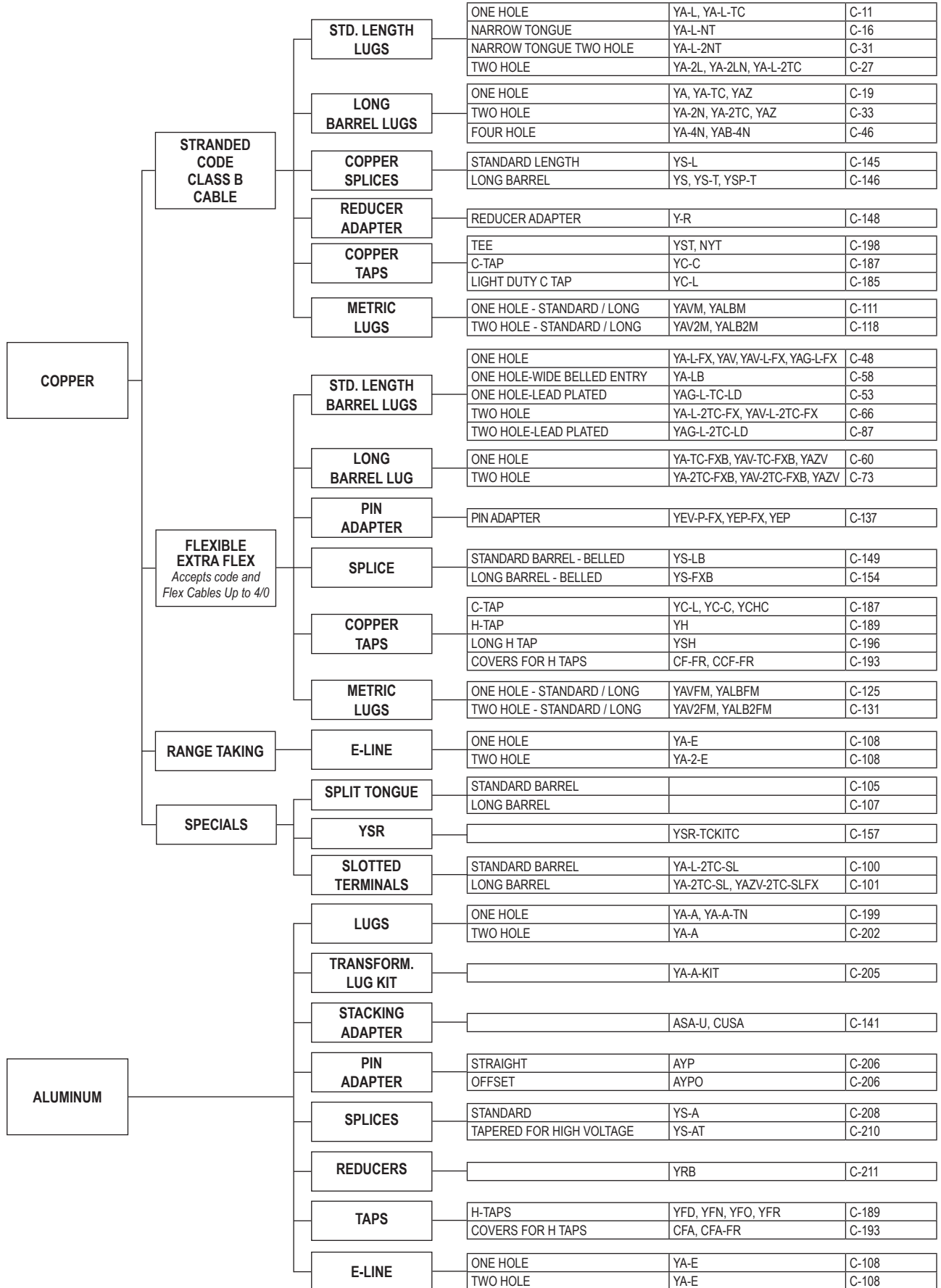
Straight Style Battery PostC-214

T-Style Battery PostC-215

One Hole Grounding/Starter Lugs.....C-216

Compression Cable Pulling Heads

Compression Cable Pulling Heads Aluminum/Copper..C-218



COMPRESSION CONNECTORS

C-4

BURNDY® compression connectors are designed for reliable and controllable electrical connections. The complete installation is fully inspectable. They are high conductivity copper and operate cooler than the wire on which they are installed. The connectors withstand a wide range of electrical and environmental conditions, including current surges, temperatures, corrosion and vibrations, for a wide variety of applications. These features mean a consistently high quality connection at a low installed cost.

Copper compression connectors are manufactured from high-conductivity electrolytic copper. The connectors are normally tin-plated, lead-plated, or plated with proprietary BURNDY® brite finish to provide durable long-lasting corrosion resistance. The connector design has been matched to the cable size to provide the necessary physical strength requirements for reliable electrical performance.

Aluminum compression connectors are manufactured from high conductivity, high purity wrought aluminum. They are designed with sufficient mass and are electro-tin plated to minimize corrosion due to galvanic action between dissimilar metals. The connector barrels are pre-filled with PENETROX™, BURNDY oxide inhibiting compound.

PENETROX™ contains homogeneously suspended metallic particles which penetrate the wire's oxides to establish excellent continuity between the individual strands and the connector barrel for a low-resistance connection. PENETROX™ maintains an air-tight connection. Each barrel end is covered with a color-coded plastic dust cap which prevents foreign matter from entering the connector before it is used. The connector design has been engineered to match the cable size to provide the necessary physical strength requirements for reliable electrical performance.

Connector Ampacity Rating

Per NEC 110.14(C) Provision (2) installed pressure connectors shall be used with conductors at the ampacities not exceeding the ampacity at the listed and identified temperature rating of the connector. Most BURNDY connector temperature ratings in this section, are rated 90°C, therefore the connector is rated to accommodate the ampacity of a conductor operating at or below 90°C.

SELECTION AND USE

Copper compression connectors are recommended for use on copper conductors. Aluminum compression connectors are recommended for use on aluminum conductors. Dual-rated aluminum compression connectors may be used on both copper and aluminum conductors.

Two basic compression designs are available: Circumferential and indent.



After compression, virtually all the air is removed leaving a tight homogeneous mass of connector and conductor.

The circumferential crimp design is recommended for color coded connectors in low and high voltage applications. Die index number embossment provides an easy inspection where required to verify the use of the proper connector/die combination. It is also recommended for insulated connectors and for terminating flexible and welding cables.

The circumferential crimp design dies compress cable strands into polygonal shapes forming intimate contact with each other and the connector barrel. This compression forms a tight homogeneous mass with virtually no air pockets. The circumferential crimp provides an excellent electrical connection with high pull-out values. The circumferential crimp is ideal for high voltage applications leaving the connector barrel symmetrical, which is easier to insulate.

The indent type crimp can be used in virtually any application except polyvinylchloride (PVC) insulated terminals and splices. It is an excellent means of terminating flexible, extra flexible and welding cables. The indenter compresses the cable strands to form intimate contact with each other and the connector barrel. The result is an excellent electrical connection with high pull-out strength. Laboratory work testing curves established the proper depth and shape of indent for each type of connector and wire combination.

TOOLING

Tooling systems are essential for proper installation of a compression connector. Since connectors and dies are designed as a unit for specific wire sizes, only the recommended tools and dies should be used. Most aluminum and copper HYLUG™ terminals and HYLINK™ splices are marked with a die index number and are color-coded to identify the correct installation die. Dies marked with the matching die index number and color can be used to install the connector.

BURNDY® tooling installs a wide range of connectors, is reliable, cost effective, and precision engineered for durable, long-lasting service and quality connections. The tools include small plier types, full cycle ratchet designs and hydraulically-powered HYPRESS™ heads and new Battery Actuated Tools. Some have permanent die grooves or adjustable dies, while others require a change of die sets or nest die for each connector size. BURNDY recommended tools achieve crimp performance consistent with UL and other industry standards. Since several tools are suitable for most connectors, the most economical and practical tool can be chosen for each application.

INSTALLATION HARDWARE

See the Hardware Section or Reference Section of the BURNDY Master Catalog for information on Recommended Hardware Materials and Tightening Torque Values.

INDUSTRY STANDARDS

BURNDY compression terminals, splices, and tap connectors requiring third party testing and approval are listed by Underwriters Laboratories, Inc. (UL), and/or Canadian Standards Association (CSA), and all conform to the applicable sections of the National Electrical Code (NEC).

Per UL486A-486B - Wire Connectors (1.3) standard, this standard is intended for connectors suitable for currents not exceeding the ampacity of insulated conductors rated 75°C or 90°C in accordance with the rating of the connector, if provided.

BURNDY® also offers connectors and splices which meet the (LOCA Seismic and Aging) requirements of IEEE standards 323, 383 and 344 for class 1E critical circuits for use in Nuclear Utility Applications. Certification to 10CFR50 and 10CFR21 available.

Detail catalog listings should be consulted to obtain the appropriate standards for each connector and splice.

BURNDY®
Telecommunications
Connectors...

The industry's first choice in compression connections...

BURNDY® provides a complete selection of one and two hole compression's terminals, H-taps, C-taps, and other compression connection products specifically engineered to meet the demanding applications of both the Central Office and Wireless communications markets.

All of the BURNDY compression products are designed for reliable and controllable electrical connections. All connectors are made from high conductivity electrolytic copper and operate at cooler temperatures than the conductor on which they are installed. The connectors are normally tin-plated, lead-plated, or plated with a proprietary BURNDY® brite finish to provide the industry standard in long-lasting corrosion resistance.

The complete installation is fully inspectable and UL Listed when installed with BURNDY® dies. Every die in the system is color-coded and provides die index embossment for complete inspectability.

Wire Definitions

- Copper Code Stranded Wire, as listed in this section refers to: Class B (Concentric, Compressed, Compact) or Class C, that a particular connector has been UL Listed with
- Copper Flexible Wire, as listed in this section refers to: Listed by Nominal Wire followed by the designated wire classes (G, H, I, K, M, and DLO), that a particular connector has been UL Listed with
- Aluminum Stranded Wire, as listed in this section refers to: Class B (Concentric, Compressed, Compact), that a particular connector has been UL Listed with
- Copper Clad Aluminum (CCA) Stranded Wire, as listed in this section refers to: CCA wire stranded that a particular connector has been UL Listed with

The Circumferential Crimp...



Circumferential compression is solid and symmetrical. No sharp flash.

The BURNDY® circumferential crimp provides a solid, homogenous connection, with high pull out values and is rated for high voltage applications, more than sufficient for the 48V DC operating voltage common in the telecom market. In addition the circumferential crimp doesn't require the removal of the copper flash produced by other die systems. This not only saves time in installation but removes a potential safety hazard from the job.

All of the dies in the system are color-coded to match the connectors and feature die index and die number matching to the connector for ease of installation.

**BURNDY® Tooling...
 the right choice for the job**

BURNDY® tooling installs a wide range of connectors, is reliable, cost effective, and precision engineered for durable, long-lasting service and quality connections. BURNDY compression tooling system ranges from full cycle ratchet hand tools to 12 and 15 ton hydraulically-powered HYPRESS™ heads. Hydraulic tools are available in self-contained, battery powered, and AC service electrically powered pump and remote head designs to meet all possible installation situations.

NOTE: Field bending straight lugs to achieve an angular connection will void UL Listing / CSA Certifications and BURNDY will not be liable for the connection.

Objective	Plating			
	Electro-tin	Hot Tin Dip	Nickel	Silver*
Reduce galvanic corrosion (bimetallic)	X	X	—	—
Resist corrosive elements	X	X	—	—
Increase conductivity/lower contact resistance	—	—	—	X
Provide high, continuous service temperatures (maximum)	—	—	X (650°F/343°C)	X (500°F/260°C)

***Note:** Never connect an aluminum surface to a silver plated surface. Aluminum in contact with silver results in a highly corrosive joint, which will further result in a high resistance connection.

EXPANDED RANGES

The following connectors are range taking when crimped onto code conductor using 644 family of tools:



COPPER

ALUMINUM

C-6

Copper HYLUG™ & HYLINK™ Connectors Types YA, YA-L, YAB, YS, YS-L, YST, YS-T, YSP-T			
Catalog No.		Standard Wire Size	Expanded Wire Range
Terminal*	Splice**		
YA6C-	YS6C-	#6 AWG	#6 AWG
YA5C-	YS5C-	#5 AWG	#5 - #6 AWG
YA4C-	YS4C-	#4 AWG	#4 - #6 AWG
YA3C-	YS3C-	#3 AWG	#3 - #6 AWG
YA2C-	YS2C-	#2 AWG	#2 - #6 AWG
YA1C-	YS1C-	#1 AWG	#1 - #6 AWG
YA25-	YS25-	1/0 AWG	1/0 - #6 AWG
YA26-	YS26-	2/0 AWG	2/0 - #4 AWG
YA27-	YS27-	3/0 AWG	3/0 - #2 AWG
YA28-	YS28-	4/0 AWG	4/0 - #1 AWG
YA29-	YS29-	250 kcmil	250 kcmil - 1/0 AWG
YA30-	YS30-	300 kcmil	300 kcmil - 2/0 AWG
YA31-	YS31-	350 kcmil	350 kcmil - 3/0 AWG
YA32-	YS32-	400 kcmil	400 kcmil - 4/0 AWG
YA34-	YS34-	500 kcmil	500 kcmil - 4/0 AWG
YA36-	YS36-	600 kcmil	600 - 250 kcmil
YA39-	YS39-	750 kcmil	750 - 500 kcmil
YA40-	YS40-	800 kcmil	800 - 500 kcmil
YA44-	YS44-	1000 kcmil	1000 - 750 kcmil

Aluminum HYLUG™ & HYLINK™ Connectors Types YA-A & YS-A (Copper or Aluminum Conductor)			
Catalog No.		Standard Wire Size	Expanded Wire Range
Terminal*	Splice**		
YA6CA-	YS6CA-	#6 AWG	#6 AWG
YA4CA-	YS4CA-	#4 AWG	#4 - #6 AWG
YA2CA-	YS2CA-	#2 AWG	#2 - #6 AWG
YA1CA-	YS1CA-	#1 AWG	#1 - #2 AWG
YA25A-	YS25A-	1/0 AWG	1/0 - #1 AWG
YA26A-	YS26A-	2/0 AWG	2/0 - #1 AWG
YA27A-	YS27A-	3/0 AWG	3/0 - #1 AWG
YA28A-	YS28A-	4/0 AWG	4/0 - #1 AWG
YA29A-	YS29A-	250 kcmil	250 kcmil - 1/0 AWG
YA30A-	YS30A-	300 kcmil	300 kcmil - 2/0 AWG
YA31A-	YS31A-	350 kcmil	350 kcmil - 3/0 AWG
YA32A-	YS32A-	400 kcmil	400 kcmil - 4/0 AWG
YA34A-	YS34A-	500 kcmil	500 kcmil - 4/0 AWG
YA36A-	YS36A-	600 kcmil	600 - 250 kcmil
YA39A-	YS39A-	750 kcmil	750 - 500 kcmil
YA40A-	YS40A-	800 kcmil	800 - 500 kcmil
YA42A- †	YS42A- ‡	900 kcmil ▲	900 - 600 kcmil
YA44A-	YS44A-	1000 kcmil	1000 - 750 kcmil

* 1 Crimp

** 1 Crimp per side

* 1 Crimp

** 1 Crimp per side

▲ 900 AL only

† 2 Crips

‡ 2 Crips per side

AYP/AYPO CONNECTORS

(Aluminum and Copper — Code & Compact)				
Wire Size	Expanded Range	Pin		# Crips
		Straight	Offset	
#6 AWG	#6 AWG	AYP6	—	1
#4 AWG	#4 AWG	AYP4	—	1
#2 AWG	#4 - #2 AWG	AYP2	—	1
#1 AWG	#2 - #1 AWG	AYP1	—	1
1/0 AWG	#2 - 1/0 AWG	AYP1/0	—	1
2/0 AWG	#1 - 2/0 AWG	AYP2/0	AYPO2/0	2
3/0 AWG	1/0 - 3/0 AWG	AYP3/0	AYPO3/0	2
4/0 AWG	2/0 - 4/0 AWG	AYP4/0	AYPO4/0	2
250 kcmil	3/0 - 250 kcmil	AYP250	AYPO250	2
300 kcmil	4/0 - 300 kcmil	AYP300	AYPO300	2
350 kcmil	250 - 350 kcmil	AYP350	AYPO350	2
400 kcmil	350 - 500 kcmil	AYP400	AYPO400	2
500 kcmil	350 - 500 kcmil	AYP500	AYPO500	2
600 kcmil	400 - 600 kcmil	AYP600	AYPO600	3
750 kcmil	500 - 750 kcmil	AYP750	AYPO750	3



EXPANDED RANGES

The following connectors are range taking when crimped onto code & flex conductor using 4-POINT® (81 or 4PC) family of tools:



PAT81KFTLI



PAT4PC834LI



ALUMINUM CONNECTORS

Aluminum & Copper Conductor (Code & Compact)				
Conductor		Connector		
Wire Size	Expanded Range	Terminal	Splice	# Crimps
#8 AWG	#8 AWG	YA8CA-	YS8CA-	1
#6 AWG	#6 AWG	YA6CA-	YS6CA-	1
#4 AWG	#6 - #4 AWG	YA4CA-	YS4CA-	1
#2 AWG	#6-#2 AWG	YA2CA-	YS2CA-	2
#1 AWG	#6-#1 AWG	YA1CA-	YS1CA-	2
1/0 AWG	#6-1/0 AWG	YA25A-	YS25A-	2
2/0 AWG	#4 - 2/0 AWG	YA26A-	YS26A-	2
3/0 AWG	#2 - 3/0 AWG	YA27A-	YS27A-	2
4/0 AWG	#1 - 4/0 AWG	YA28A-	YS28A-	2
250 kcmil	1/0 - 250	YA29A-	YS29A-	2
300 kcmil	2/0 - 300	YA30A-	YS30A-	2
350 kcmil	3/0 - 350	YA31A-	YS31A-	3
400 kcmil	4/0 - 400	YA32A-	YS32A-	4
500 kcmil	4/0 - 500	YA34A-	YS34A-	4
600 kcmil	250 - 600	YA36A-	YS36A-	4
750 kcmil	500-750	YA39A-	YS39A-	4

COPPER CONNECTORS

Copper Conductor (Code & Compact)							
Conductor		Standard Barrel			Long Barrel		
Wire Size	Expanded Range	Terminal	Splice	# of Crimps*	Terminal	Splice	# of Crimps*
#8 AWG	#8 AWG	YA8CL-	YS8CL-	1	YA8C-	YS8C-	1
#6 AWG	#6 AWG	YA6CL-	YS6CL-	1	YA6C-	YS6C-	1
#4 AWG	#6 - #4	YA4CL-	YS4CL-	1	YA4C-	YS4C-	1
#2 AWG	#6-#2	YA2CL-	YS2CL-	1	YA2C-	YS2C-	2
#1 AWG	#6-#1	YA1CL-	YS1CL-	1	YA1C-	YS1C-	2
1/0 AWG	#6-1/0	YA25L-	YS25L-	1	YA25-	YS25-	2
2/0 AWG	#4 - 2/0	YA26L-	YS26L-	1	YA26-	YS26-	2
3/0 AWG	#2 - 3/0	YA27L-	YS27L-	2	YA27-	YS27-	2
4/0 AWG	#1 - 4/0	YA28L-	YS28L-	2	YA28-	YS28-	2
250 kcmil	1/0 - 250	YA29L-	YS29L-	2	YA29-	YS29-	2
300 kcmil	2/0 - 300	YA30L-	YS30L-	2	YA30-	YS30-	3
350 kcmil	3/0 - 350	YA31L-	YS31L-	2	YA31-	YS31-	3
400 kcmil	4/0 - 400	YA32L-	YS32L-	2	YA32-	YS32-	3
500 kcmil	4/0 - 500	YA34L-	YS34L-	2	YA34-	YS34-	4
600 kcmil	250 - 600	YA36L-	YS36L-	2	YA36-	YS36-	4
700 kcmil	350-700	YA38L-	YS38L-	3	YA38-	YS38-	4
750 kcmil	500-750	YA39L-	YS39L-	3	YA39-	YS39-	4
800 kcmil	500-800	YA40L-	YS40L-	3	YA40-	YS40-	4
1000 kcmil	750-1000	YA44L-	YS44L-	3	YA44-	YS44-	4

*Same number of recommended crimps for both Standard and Expanded wire ranges



The following connectors are range taking when crimped onto code & flex conductor using 4-POINT® (81 or 4PC) family of tools:



EXPANDED RANGES

COPPER CONNECTORS

C-8

Nom Flex Wire Size	Copper Conductor (Flex Only)							
	Standard Barrel				Long Barrel			
	Expanded Range	Terminal	Splice	# of Crimps	Expanded Range	Terminal	Splice	# of Crimps
#8 AWG	#8 AWG	YAV8CL-	YSV8CL-	1	#8 AWG	YAV8C-	YSV8C-	1
#6 AWG	#6 AWG	YAV6CL-	YSV6CL-	1	#6 AWG	YAV6C-	YSV6C-	1
#4 AWG	#6 - #4 AWG	YAV4CL-	YSV4CL-	1	#6 - #4 AWG	YAV4C-	YSV4C-	1
#2 AWG	#6 - #2 AWG	YAV2CL-	YSV2CL-	1	#6 - #2 AWG	YAV2C-	YSV2C-	1
#1 AWG	#4 - #1 AWG	YAV1CL-	YSV1CL-	1	#4 - #1 AWG	YAV1C-	YSV1C-	1
1/0 AWG	#4 - 1/0 AWG	YAV25L-	YSV25L-	1	#4 - 1/0 AWG	YAV25-	YSV25-	2
2/0 AWG	#2 - 2/0 AWG	YAV26L-	YSV26L-	1	#4 - 2/0 AWG	YAV26-	YSV26-	2
3/0 AWG	#1 - 3/0 AWG	YAV27L-	YSV27L-	1	#2 - 3/0 AWG	YAV27-	YSV27-	2
4/0 AWG	1/0 - 4/0 AWG	YAV28L-	YSV28L-	1	#1 - 4/0 AWG	YAV28-	YSV28-	2
250 kcmil	3/0 AWG - 250 kcmil	YAV29L-	YS29L-	1	1/0 AWG - 250 kcmil	YAV29-	YS29-	2
300 kcmil	4/0 AWG - 313.1 kcmil	YA32L-	YS32L-	1	2/0 AWG - 313.1 kcmil	YA32-	YS32-	2
350 kcmil	262.2 - 373.7 kcmil	YA34L-	YS34L-	1	3/0 AWG - 373.7 kcmil	YA34-	YS34-	2
450 kcmil	373.7 - 444.4 kcmil	YA36L-	YS36L-	1	262.2 - 444.4 kcmil	YA36-	YS36-	2
450 kcmil	262.2 - 444.4 kcmil	YA36L-	YS36L-	2				
500 kcmil	444.4 - 535.3 kcmil	YA38L-	YS38L-	1	373.7 - 535.3 kcmil	YA38-	YS38-	2
500 kcmil	373.7 - 535.3 kcmil	YA38L-	YS38L-	2				
600 kcmil	373.7 - 600 kcmil	YA39L-	YS39L-	2	262.2 - 600 kcmil	YA39-	YS39-	3
650 kcmil	444.4 - 646 kcmil	YA40L-	YS40L-	2	444.4 - 646 kcmil	YA40-	YS40-	3
750 kcmil	535.3 - 777.7 kcmil	YA44L-	YS44L-	2	535.3 - 777.7 kcmil	YA44-	YS44-	3

COPPER CONNECTORS

Wire Size	Expanded Wire Range	E-Line Connectors					
		Aluminum			Copper		
		Offset Cat. No.	Center formed Cat. No.	No. of Crimps	Offset Cat. No.	Center formed Cat. No.	No. of Crimps
#8 AWG	#8 AWG	YA8CA-T-E		1			
#6 AWG	#6 AWG						
#4 AWG	#6 - #4						
#2 AWG	#6-#2	YA2CA-T-E	YAC2CA-T-E	1			
#1 AWG	#6-#1						
1/0 AWG	#6-1/0	YA25A-T-E		1	YA25L-T-E	YAC25L-T-E	1
2/0 AWG	#4 - 2/0	YA26A-T-E		2	YA26L-T-E	YAC26L-T-E	1
3/0 AWG	#2 - 3/0	YA27A-T-E	YAC27A-T-E	2			
4/0 AWG	#1 - 4/0	YA28A-T-E		2			
250 kcmil	1/0 - 250						
300 kcmil	2/0 - 300	YA30A-T-E		2	YA30L-T-E	YAC30L-T-E	2
350 kcmil	3/0 - 350	YA31A-T-E	YAC31A-T-E	2			
400 kcmil	4/0 - 400	YA32A-T-E		4			
500 kcmil	4/0 - 500	YA34A-T-E		4	YA34L-T-E		2
500 kcmil	4/0-500				YA342L-T-E		2
600 kcmil	250 - 600	YA36A-T-E		4	YA36L-T-E		2
600 kcmil	250-600				YA362L-T-E		2
700 kcmil	350-700						
750 kcmil	500-750	YA39A-T-E		4	YA39L-T-E		2
750 kcmil	500-750				YA392L-T-E		2
800 kcmil	500-800						
1000 kcmil	750-1000						

12-TON U DIES*

*****Fits 35, 39, 750 Series, 46 Series (with PUADP-1 Adapter)**

***Installation tools may have "Y" or "PAT" prefix depending on type of tool platform; See Tooling Section for more information.



U die case Part# PT29291, holds up to 15 dies

Wire Size	Wire Material		
	Copper	Copper Wide Die**	Aluminum
#8 AWG	U8CRT	U8CRTW	U8CABT
#6 AWG	U5CRT	U5CRTW	U6CABT
#4 AWG	U4CRT	U4CRTW	U4CABT
#3 AWG	U3CRT	U3CRTW	N/A
#2 AWG	U2CRT	U2CRTW	U2CABT
#1 AWG	U1CRT1	U1CRT1W	U1CART
1/0 AWG	U25RT	U25RTW	U25ART
2/0 AWG	U26RT	U26RTW	U26ART
3/0 AWG	U27RT	U27RTW	U27ART
4/0 AWG	U28RT	U28RTW	U28ART
250 kcmil	U29RT	N/A	U29ART

Wire Size	Wire Material		
	Copper	Copper Wide Die**	Aluminum
300 kcmil	U30RT	N/A	U30ART
350 kcmil	U31RT		U31ART
400 kcmil	U32RT		U32ART
500 kcmil	U34RT		U34ART
535 Flex	U38XRT		N/A
600 kcmil	U36RT		U36ART
750 kcmil	U39RT		U39ART2
777 Flex	U44XRT		N/A

* Non-tension U-type 12 ton dies for YA, YS, YA-A, YS-A style connectors
 ** Wide dies are intended for use on long barrel terminals and splices (YA/YS) only.
 Die Sets sold separately; U Die Kits also available. Note: N/A = not applicable

W DIES

*****Fits Tools MD6, MD7, Y500CTHS, 500SJ, 600, and CSMD Series**

***Installation tools may have "Y" or "PAT" prefix depending on type of tool platform; See Tooling Section for more information.



W die case Part# CASEWDIES, holds up to 24 dies

Wire Size	Wire Material		
	Copper (-VT)	Copper (-RT)	Aluminum
#8 AWG	W8CVT	W8CRT	X8CART
#6 AWG	W5CVT	W5CRT	W161
#4 AWG	W4CVT	W4CRT	W162
#3 AWG	W3CRT	W3CRT	N/A
#2 AWG	W2CVT	W2CRT	W239
#1 AWG	W1CVT	W1CRT1	W163
1/0 AWG	W25VT	W25RT	W241
2/0 AWG	W26VT	W26RT	W245
3/0 AWG	W27VT	W27RT	W166
4/0 AWG	W28VT	W28RT	W660
250 kcmil	W29VT*	W29RT*	W249
300 kcmil	W30VT*	W30RT*	N/A
350 kcmil	W31VT*	W31RT*	W31ART*
400 kcmil	W32VT*	W32RT*	N/A
450 kcmil	W33VT*	W33RT*	N/A
500 kcmil	W34VT*	W34RT*	N/A
600 kcmil	N/A	W36RT**	N/A

* These sizes (250 - 500) for Y500CTHS, MD734, and MD734R only.
 ** For 600, 500SJ series and Y500CTHS only.
 Note: N/A = not applicable
 Suitable for use on YA, YS, YA-A, YS-A type non-tension connectors.
 Die Sets sold separately; W Die Kits also available

VT = "V" profile die for reduced handle force when using MD6/MD7 series tools; Twin die (includes both halves)

RT = Round die (circumferential); Twin die (includes both halves)

Compression Connections

BURNDY®

Die Index Chart

C-10

Installation Tooling System														
Conductor		Lugs & Splices One & Two Hole			T&B Index*	Taps Thin-Wall C-taps Run=Tap, AWG only			Taps Heavy Duty C-Taps Run=Tap			Taps H-Taps Run=Tap		
AWG	Flex	Die	Color	Index	Code (Flex)	Die	Color	Index	Die	Color	Index	Die	Color	Index
#8/#6 sol	#8	W8CVT U8CRT	RED	49	21	W4CVT	GRAY	8	U240	RED	240	U11T-1	GREEN	11
#6	#6	W5CVT U5CRT	BLUE	7	24	W2CVT	BROWN	10	UC	BROWN	C	UB- GRT	ORANGE	BG
#4	#4	W4CVT U4CRT	GRAY	8	29	W25VT	PINK	12	UC	BROWN	C	UC	BROWN	C
#3/#2 sol		W3CRT U3CRT	WHITE	9	29	W26VT	BLACK	13	UC	BROWN	C	UC	BROWN	C
#2	#2	W2CVT U2CRT	BROWN	10	33	W27VT	ORANGE	14	UC	BROWN	C	UC	BROWN	C
#1	#1	W1CVT U1CRT-1	GREEN	11	33 (37)	W28VT	PURPLE	15	U997	ORANGE	997	U654	PURPLE	654
1/0	1/0	W25VT U25RT	PINK	12	37 (42)	W29VT	YELLOW	16	U997	ORANGE	997	U654	PURPLE	654
2/0	2/0	W26VT U26RT	BLACK	13	42 (45)		REFER TO CATALOG		U997	ORANGE	997	U654	PURPLE	654
3/0	3/0	W27VT U27RT	ORANGE	14	45 (50)	-	-	-	U997	ORANGE	997	U654	PURPLE	654
4/0	4/0	W28VT U28RT	PURPLE	15	50 (54)	-	-	-	U997	ORANGE	997	U654	PURPLE	654
250	4/0 / 250 class G & H	W29VT U29RT	YELLOW	16	62	-	-	-	U997	ORANGE	997	U654	PURPLE	654
300	262/250 class I, K & M	W30VT U30RT	WHITE	17	62	-	-	-	U1104	BROWN	1104	U1104	BROWN	1104
350	313	W31VT U31RT	RED	18	66	-	-	-	U1104	BROWN	1104	U1104	BROWN	1104
	350 / 373	W32VT U32RT	BLUE	19	(76)	-	-	-	U1104	BROWN	1104	U1104	BROWN	1104
500	444	W34VT U34RT	BROWN	20	76 (87)	-	-	-	U1104	BROWN	1104	U1104	BROWN	1104
	500 / 535	U38XRT	PINK	L99	(99)	-	-	-	P1103	BLUE	1103	PYFR	YELLOW	KR
600		U36RT	GREEN	22	87	-	-	-	P1103	BLUE	1103	PYFR	YELLOW	KR
700		U38RT	PINK	400	99	-	-	-	P1103	BLUE	1103	PYFR	YELLOW	KR
750	646	U39RT	BLACK	24	(106)	-	-	-	P1103	BLUE	1103	PYFR	YELLOW	KR
	750 / 777	U44XRT	YELLOW	L115	(115)									
800		P40RT	ORANGE	25	106	-	-	-	P1102	WHITE	1102	PYFR	YELLOW	KR
1000		P44RT	WHITE	27		-	-	-	P1102	WHITE	1102	PYFR	YELLOW	KR

* Die set with a dash CK are not UL Listed. Please consult factory for further information

Bolt Equivalent	
Unified Inch Hole Size	Metric Equivalent
1/4"	M6
5/16"	M8
3/8"	M10
1/2"	M12

Bolt Equivalent	
Unified Inch Hole Size	Metric Equivalent
1/2" - NEMA (.56)	M14
5/8"	M16
7/8"	M20

ONE HOLE HYLUG™
CODE CONDUCTOR
STANDARD BARREL

TYPES YA-L, YA-L-TC

UNINSULATED COPPER
COMPRESSION TERMINAL

UL Listed 90° C, Up to 35 kV ♦

45° and 90° angles available. Please contact
Customer Service to order : 1-800-346-4175.



C-11

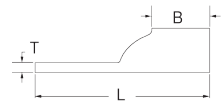


NOTE: Field bending straight lugs to achieve an angular connection will void UL Listing / CSA Certifications and BURNDY will not be liable for the connection.

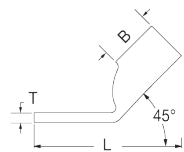
Features & Benefits

- Inspection window allows for visual verification that the wire has been fully inserted prior to crimping the lug; not recommended in highly corrosive environments as the wire in the barrel is exposed to corrosive elements installed
- Barrel is designed with an internal chamfer at the wire entry to ensure smooth insertion of the wire, preventing possible damaging of the wire strands during insertion
- Short/Standard length barrel is recommended for installations with limited space requirements
- 45° and 90° angular lugs are available; please contact Customer Service
- Electro-tin plated unless otherwise specified to reduce galvanic corrosion (bimetallic) and resist corrosive elements
- Connectors are clearly marked with stamping and barrel color coding

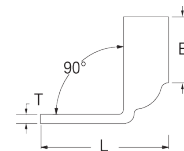
Straight



45°



90°

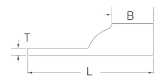


Compression Connections

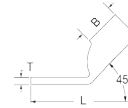
Copper Compression — Code

BURNDY®

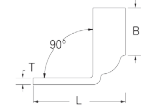
ONE HOLE HYLUG™ CODE CONDUCTOR STANDARD BARREL (Continued)



Straight



45°



90°

C-12

45° and 90° angles available. Please contact Customer Service to order: 1-800-346-4175.



NOTE: Field bending straight lugs to achieve an angular connection will void UL Listing / CSA Certifications and BURNDY will not be liable for the connection.

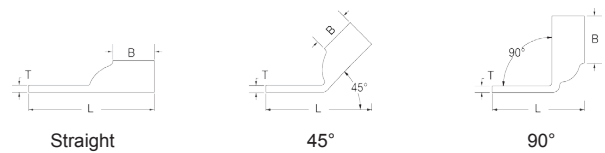
Catalog Number	Conductor		Stud Hole Size	Tongue Width	Figure Dimensions			Dieless (# of crimps)	Installation Tooling					Wire Strip Length
	AWG	MM ² ***			(B)	(T)	(L)		Mech.	Hydraulic		Color Code	Die Index	
										MD6, OUR840, MD7-34R	BCT500HS, Y500CTHS			
YAV10BOX	#14-#10 Str #12-#10 Sol	6	#8-#10	0.38	0.40	0.06	0.97	Non-Ratchet: Y10D, Y10-22 Ratchet: MR8G98, MR8-9Q, Y8MRB-1, MR20, N10HT, N10HT-24, Y122CMR	—	—	—	—	—	7/16"
YAV10R-BOX (90°)			#8-#10	0.38	0.38	0.06	0.53							3/8"
YAV10-T2BOX			5/16	0.53	0.39	0.04	1.13							7/16"
YAV10-R3BOX (90°)			1/4	0.47	0.38	0.04	0.55							5/16"
YAV10-T3BOX			1/4	0.45	0.41	0.05	1.10							7/16"
YAV10-T4BOX			6	3/8	0.55	0.45	0.04							
YA8CL-BOX	#8 AWG #8 Flex G,H,I,K,M DLO 37/24	† 10	#8-#10	0.41	0.44	0.08	1.16	Y122CMR (1) Y1MRTC (1) MY29-3 (1) MY29-11 (1) MRC840 (1) Y4PC834(1) Y8MRB-1 (1) Y81KFT (1) PAT81KFT (1)	W8CVT (1) W8CRT (1) X8CRT (1)	W8CVT (1) W8CRT (1) X8CRT (1)	U8CRT (1)	Red	49	7/16
YA8CL1-BOX			1/4	0.44	0.44	0.08	1.26							
YA8CL2-BOX			5/16	0.52	0.44	0.06	1.38							
YA8CL3-BOX			3/8	0.58	0.44	0.06	1.51							
YA8CL4-BOX			1/2	0.71	0.44	0.05	1.76							
YA6CL1-BOX	#6 AWG Str. Sol.□	—	#8-#10	0.41	0.54	0.09	1.27	Y122CMR (1) Y1MRTC (1) MY29-3 (1) MY29-11 (1) MRC840 (1) Y81KFT (1) PAT81KFT (1) Y644 (1) PAT644 (1)	W5CVT (1) W5CRT (1) X5CRT (1) X8CART (1)	W5CVT (1) W5CRT (1) X5CRT (1) X8CART (1)	U5CRT (1)	Blue	7 or 374	9/16
YA6CL-BOX			1/4	0.45	0.54	0.08	1.45							
YA6CL3-BOX			5/16	0.52	0.54	0.07	1.52							
YA6CL4-BOX			3/8	0.63	0.54	0.06	1.62							
YA6CL-6			1/2	0.75	0.54	0.12	1.87							
YA5CL	#5 AWG		1/4	0.44	0.81	0.07	1.65	W5CRT (1) W5CVT (1) X5CRT (1)	W5CRT (1) X5CRT (1) W5CVT (1)					
YA4CL1-BOX	#4 AWG	—	#8-#10	0.50	0.81	0.09	1.58	Y122CMR (2) Y1MRTC (2) MY29-3 (1) MY29-11 (1) MRC840 (1) Y644HSXT (1) Y81KFT (1) Y81KFTMBH (1) PAT81KFT-18V (1)	W4CVT (1) W4CRT (1) X4CRT (1)	W4CVT (1) W4CRT (1) X4CRT (1)	U4CRT (1) U6CABT (1)	Gray	8	7/8
YA4CL-BOX			1/4	0.50	0.81	0.09	1.74							
YA4CL3-BOX			5/16	0.50	0.81	0.08	1.79							
YA4CL4-BOX			3/8	0.58	0.81	0.09	1.92							
YA4CL6-BOX			1/2	0.71	0.81	0.06	2.20							
YA3CL	#3 Str #2 Sol	25	5/16	0.55	0.88	0.09	1.88	W3CRT (1)	W3CRT (1)	U3CRT (1)	White	9	15/16	

□ Y644 / PAT644 tooling not for use on 6 AWG Sol.
 * Use PUADP-1 adapter with U dies in Y46 HYPRESS™
 ** P-RT die sets for use in Y46 HYPRESS™ only, PUADP-1 adapter not required
 *** The MM² conductor sizes listed are the recommendations for Class 2 conductor

† The MM² conductor size listed is for both Class 2 and Class 5 conductor
 ▲ See tooling section of this catalog for complete tool and die listings

◆ For applications greater than 2000 Volts consult cable manufacturer for voltage stress relief instructions
Note: All dimensions shown are for reference only. YAV10 Series feature rounded tongues and are not ink stamped

ONE HOLE HYLUG™
CODE CONDUCTOR
STANDARD BARREL
(Continued)



45° and 90° angles available. Please contact Customer Service to order: 1-800-346-4175.



NOTE: Field bending straight lugs to achieve an angular connection will void UL Listing / CSA Certifications and BURNDY will not be liable for the connection.

C-13

Catalog Number	Conductor		Stud Hole Size	Tongue Width	Figure Dimensions			Dieless (# of crimps)	Installation Tooling				Wire Strip Length	
	AWG	MM ² ***			(B)	(T)	(L)		Mech.	Hydraulic		Color Code		Die Index
YA2CL2-BOX	#2 AWG	35	1/4	0.61	0.88	0.11	1.88	Y122CMR (2)** Y1MRTC (2) MY29-3 (1) MY29-11 (1) MRC840 (1) Y644HSXT (1) Y81KFT (1) Y81KFTMBH (1) PAT81KFT-18V (1)	W2CVT (1) W2CRT (1) X2CRT (1)	W2CVT (1) W2CRT (1) X2CRT (1)	U2CRT (1)	Brown	10	15/16
YA2CL-BOX			5/16	0.61	0.88	0.11	1.93							
YA2CL4-BOX			3/8	0.61	0.88	0.11	2.06							
YA2CL6-BOX			1/2	0.73	0.88	0.09	2.32							
YA1CL2	#1 AWG	50	1/4	0.68	0.88	0.10	1.81	MY29-3 (1) MY29-11 (1) MRC840 (2) Y644HSXT (1) Y81KFT (1) Y81KFTMBH (1) PAT81KFT-18V (1)	W1CVT(1) W1CRT1 (1) X1CRT1 (1)	W1CVT(1) W1CRT1 (1) X1CRT1 (1)	U1CRT1 (1) U4CABT (1)	Green	11 or 375	15/16
YA1CL-BOX			5/16	0.68	0.88	0.10	1.94							
YA1CL4-BOX			3/8	0.68	0.88	0.10	2.06							
YA1CL6-BOX			1/2	0.73	0.88	0.09	2.37							
YA25L2-BOX	1/0 AWG	—	1/4	0.75	0.88	0.12	1.84	MY29-3 (1) MY29-11 (1) MRC840 (2) Y644HSXT (1) Y81KFT (1) Y81KFTMBH (1) PAT81KFT-18V (1)	W25VT (2) W25RT (2) X25RT (2)	W25VT (2) W25RT (2) X25RT (2)	U25RT (1) U2CABT (1)	Pink	12	15/16
YA25L-BOX			5/16	0.75	0.88	0.12	1.96							
YA25L4-BOX			3/8	0.75	0.88	0.12	2.09							
YA25L6-BOX			1/2	0.75	0.88	0.12	2.34							
YA26L2-BOX	2/0 AWG	70	1/4	0.83	0.94	0.12	1.94	MY29-3 (1) MY29-11 (1) MRC840 (2) Y644HSXT (1) Y81KFT (1) Y81KFTMBH (1) PAT81KFT-18V (1)	W26VT (2) W26RT (2) X26RT (2)	W26VT (2) W26RT (2) X26RT (2)	U26RT (1)	Black	13	1
YA26L-BOX			3/8	0.83	0.94	0.12	2.19							
YA26L6-BOX			1/2	0.83	0.94	0.12	2.44							
YA26L60			3/4	1.02	0.94	0.10	2.96							
YA27L3	3/0 AWG	—	5/16	0.91	1.00	0.13	2.16	MY29-3 (1) MY29-11 (1) MRC840 (2) Y644HSXT (1) Y81KFT (2) Y81KFTMBH (2) PAT81KFT (2)	W27VT (2) W27RT (2) X27RT (3)	W27VT (2) W27RT (2) X27RT (3)	U27RT (1)	Orange	14	1-1/16
YA27L4-BOX			3/8	0.91	1.00	0.13	2.29							
YA27L-BOX			1/2	0.91	1.00	0.13	2.54							
YA28L2	4/0 AWG	—	1/4	1.02	0.88	0.14	1.96	MY29-3 (1) MY29-11 (1) MRC840 (2) Y644HSXT (1) Y81KFT (2) Y81KFTMBH (2) PAT81KFT-18V (2)	W28VT (2) W28RT (2) X28RT (3)	W28VT (2) W28RT (2) X28RT (3)	U28RT (1)	Purple	15	1-1/8
YA28L3			5/16	1.02	0.88	0.14	2.08							
YA28L4-BOX			3/8	1.02	0.88	0.14	2.21							
YA28L-BOX			1/2	1.02	0.88	0.14	2.46							
YA28L56			3/4	1.05	0.88	0.13	2.90							
YA29L2	250 kcmil	—	1/4	1.11	1.06	0.16	2.17	MY29-3 (1) MY29-11 (1) Y644HSXT (1) Y81KFT (2) Y81KFTMBH (2) PAT81KFT-18V (2)	W29VT (2) X29RT (4)	W29VT (2) W29RT (2) X29RT (4)	U29RT (1)	Yellow	16	1-1/8
YA29L4			3/8	1.11	1.06	0.16	2.42							
YA29L7			5/16	1.11	1.06	0.16	2.30							
YA29L-BOX			1/2	1.11	1.06	0.16	2.67							
YA29LTC78			7/8	1.11	1.06	0.14	3.36							

* Use PUADP-1 adapter with U dies in Y46 HYPRESS™

** Y122CMR tool #10-#2 AWG Wire only

*** The MM² conductor sizes listed are the recommendations for Class 2 conductor

▲ See tooling section of this catalog for complete tool and die listings.

◆ For applications greater than 2000 Volts consult cable manufacturer for voltage stress relief instructions.

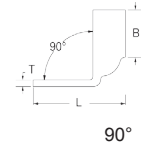
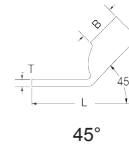
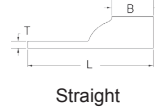
Note: All dimensions shown are for reference only.

Compression Connections

Copper Compression — Code

BURNDY®

ONE HOLE HYLUG™ CODE CONDUCTOR STANDARD BARREL (Continued)



C-14

45° and 90° angles available. Please contact Customer Service to order: 1-800-346-4175.



NOTE: Field bending straight lugs to achieve an angular connection will void UL Listing / CSA Certifications and BURNDY will not be liable for the connection.

Catalog Number	Conductor		Stud Hole Size	Tongue Width	Figure Dimensions			Dieless (# of crimps)	Installation Tooling				Wire Strip Length			
	AWG	MM ² ***			(B)	(T)	(L)		Mech. MD6, OUR840, MD7-34R	Hydraulic		Color Code		Die Index		
										BCT500HS, Y500CTHS	Y35, Y39, Y750 Y46*, PAT750					
YA30L1	300 kcmil	150	5/16	1.20	1.03	0.16	2.31	Y644HSXT (1) Y81KFT (2) Y81KFTMBH (2) PAT81KFT-18V (2)	W30VT (2)	W30VT (2) W30RT (2)	U30RT (2) U28ART (2)	White	17	1-1/16		
YA30L24			3/8	1.20	1.03	0.16	2.44									
YA30L			1/2	1.20	1.03	0.16	2.69									
YA30L28			5/8	1.20	1.03	0.16	2.94									
YA30L27			3/4	1.20	1.03	0.16	3.12									
YA31L11			350 kcmil	185	3/8	1.29	1.06								0.18	2.50
YA31L					1/2	1.29	1.06								0.18	2.75
YA31L7	5/8	1.29			1.06	0.18	3.00									
YA31L36	7/8	1.29			1.06	0.18	4.02									
YA32L14	400 kcmil	—	3/8	1.40	1.19	0.19	2.68	W32VT (2)	W32VT (2) W32RT (2)	U32RT (2) U30ART (2)	Blue	19	1-1/4			
YA32LN			1/2	1.40	1.19	.19	3.12									
YA32L1			5/8	1.40	1.19	0.19	3.18									
YA32LTC78			7/8	1.40	1.19	0.19	3.62									
YA33L	450 kcmil	—	5/8	1.48	1.50	0.21	3.57	W33VT (2)	W33VT (2) W33RT (2)	U33RT (2)	Gray	326	1-9/16			
YA34L37	500 kcmil	240	3/8	1.55	1.27	0.23	2.87	Y644HSXT (1) Y81KFT (2) Y81KFTMBH (2) PAT81KFT-18V (2)	W34VT (2)	W34VT (2) W34RT (2)	U34RT (2) U31ART (1)	Brown	20	1-7/16		
YA34L6			1/2	1.55	1.27	0.23	3.12									
YA34L			5/8	1.55	1.27	0.23	3.37									
YA34L8			3/4	1.55	1.27	0.23	3.55									
YA34L9			7/8	1.55	1.27	0.23	3.80									
YA34L20	1	1.55	1.27	0.23	4.05											
YA35L	550 kcmil	—	5/8	1.65	1.69	0.25	3.81	—	—	U35RT (2)	Yellow	21	1-3/4			
YA36L11	600 kcmil	300	1/2	1.74	1.38	0.27	3.29	Y644HSXT (1) Y81KFT (2) Y81KFTMBH (2) PAT81KFT-18V (2)	—	—	U36RT (2)	Green	22 or 472	1-3/4		
YA36L			5/8	1.74	1.38	0.27	3.54									
YA36LTC78			7/8	1.74	1.38	0.27	3.97									

* Use PUADP-1 adapter with U dies in Y46 HYPRESS™

** P-RT die sets for use in Y46 HYPRESS™ only, PUADP-1 adapter not required

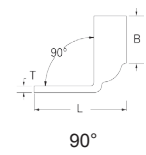
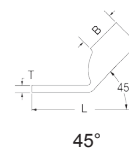
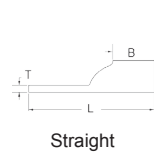
*** The MM² conductor sizes listed are the recommendations for Class 2 conductor

▲ See tooling section of this catalog for complete tool and die listings.

◆ For applications greater than 2000 Volts consult cable manufacturer for voltage stress relief instructions.

Note: All dimensions shown are for reference only.

ONE HOLE HYLUG™
CODE CONDUCTOR
STANDARD BARREL
(Continued)



45° and 90° angles available. Please contact Customer Service to order: 1-800-346-4175.



NOTE: Field bending straight lugs to achieve an angular connection will void UL Listing / CSA Certifications and BURNDY will not be liable for the connection.

Catalog Number	Conductor		Stud Hole Size	Tongue Width	Figure Dimensions			Installation Tooling					Wire Strip Length		
	AWG	MM ² ***			(B)	(T)	(L)	Dieless (# of crimps)	Mech.	Hydraulic		Color Code		Die Index	
									MD6, OUR840, MD7-34R	BCT500HS, Y500CTHS	Y35, Y39, Y750, Y46*, PAT750				
YA37L	650 kcmil	—	5/8	1.80	1.39	0.27	3.57	Y644HSXT (1) Y81KFT (3) Y81KFTMBH (3) PAT81KFT-18V (3)	—	—	U37RT (2)	Orange	23	1-15/16	
YA37L1			5/8	1.80	1.39	0.27	3.76		—	—	U38RT (2)	Pink	400	1-15/16	
YA38L	700 kcmil	—	5/8	1.84	1.45	0.27	3.66		—	—	U39RT (2) P39RT (2)**	Black	24	1-15/16	
YA39L6	750 kcmil	—	1/2	1.91	1.42	0.27	3.41		Y644HSXT (1) Y81KFT (3) Y81KFTMBH (3) PAT81KFT-18V (3)	—	—	U39RT (2) P39RT (2)**	Black	24	1-15/16
YA39L			5/8	1.91	1.42	0.27	3.57								
YA39L2			7/8	1.91	1.42	0.27	4.10								
YA39L9			1/4	1.91	1.42	0.27	4.85								
YA40L	800 kcmil	400	5/8	1.98	1.42	0.30	3.81	Y644HSXT (1) Y81KFT (3) Y81KFTMBH (3) PAT81KFT-18V (3) Y644MBH (1) PAT644XT18V (1)	—	—	P40RT (3)**	Orange	25	1-15/16	
YA41L	850 kcmil	—	5/8	2.01	1.88	0.31	4.15	Y644HSXT (1) Y81KFT (3) Y81KFTMBH (3) PAT81KFT-18V (3) Y644MBH (1) PAT644XT18V (1)	—	—	P41D *(1) P44PR**	Gold	26	1-15/16	
YA44L2	1000 kcmil	500	1/2	2.19	1.65	0.33	3.98	Y644HSXT (1) Y81KFT (3) Y81KFTMBH (3) PAT81KFT-18V (3) Y644MBH (1) PAT644XT18V (1)	—	—	P44RT (3)**	White	27	1-15/16	
YA44L			5/8	2.19	1.65	0.33	4.04								
YA44L23			1	2.19	1.65	0.33	4.73								
YA45L	1250 kcmil	—	3/4	2.46	2.00	0.38	4.68	—	—	—	P45RT (3)**	Yellow	29	2-1/16	
YA453LBOX	1300 kcmil	—	3/4	2.53	2.00	0.39	4.71	—	—	—	-	Orange	30	2-1/16	
YA46L	1500 kcmil	—	3/4	2.69	2.00	0.40	4.78	—	—	—	P46RT (3)**	Green	31	2-1/16	
YA48L	2000 kcmil	1000	3/4	3.10	2.25	0.46	5.19	—	—	—	-	Brown	34	2-3/8	

* Use PUADP-1 adapter with U dies in Y46 HYPRESS™

** P-RT die sets for use in Y46 HYPRESS™ only, PUADP-1 adapter not required

*** The MM² conductor sizes listed are the recommendations for Class 2 conductor

▲ See tooling section of this catalog for complete tool and die listings.

◆ For applications greater than 2000 Volts consult cable manufacturer for voltage stress relief instructions.

Note: All dimensions shown are for reference only.

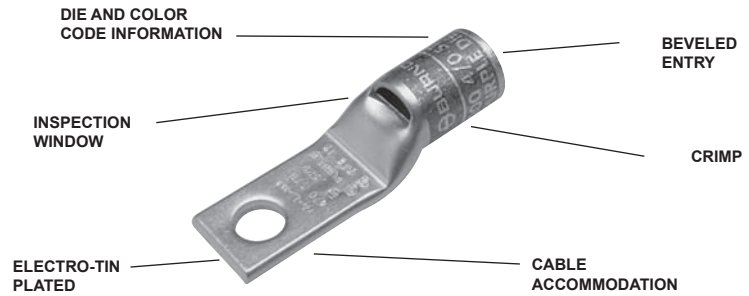
**ONE HOLE HYLUG™ CODE
CONDUCTOR STANDARD
BARREL NARROW TONGUE**

C-16

**TYPE YA-L-NT UNINSULATED
COPPER COMPRESSION
NARROW TONGUE TERMINAL**

UL Listed 90° C, Up to 35 kV ♦

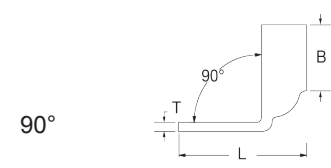
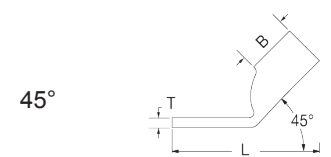
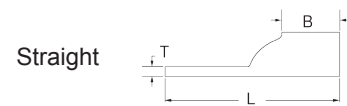
45° and 90° angles available. Please contact
Customer Service to order: 1-800-346-4175



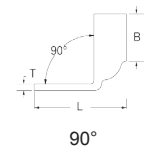
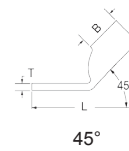
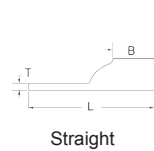
NOTE: Field bending straight lugs to achieve an angular connection will void UL Listing / CSA Certifications and BURNDY will not be liable for the connection.

Features & Benefits

- Inspection window allows for visual verification that the wire has been fully inserted prior to crimping the lug; not recommended in highly corrosive environments as the wire in the barrel is exposed to corrosive elements installed
- Narrow tongue/tang is designed for limited space applications
- Barrel is designed with an internal chamfer at the wire entry to ensure smooth insertion of the wire, preventing possible damaging of the wire strands during insertion
- Short/Standard length barrel is recommended for installations with limited space requirements and meet the exact UL testing requirements as long barrel connectors so performance of the connection is not compromised
- 45° and 90° angular lugs are available; please contact Customer Service
- Electro-tin plated unless otherwise specified to reduce galvanic corrosion (bimetallic) and resist corrosive elements
- Connectors are clearly marked with stamping and barrel color coding



ONE HOLE HYLUG™ CODE
CONDUCTOR STANDARD
BARREL NARROW TONGUE
(Continued)



45° and 90° angles available. Please contact Customer Service to order: 1-800-346-4175

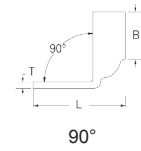
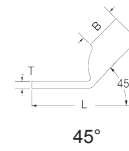
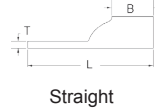


NOTE: Field bending straight lugs to achieve an angular connection will void UL Listing / CSA Certifications and BURNDY will not be liable for the connection.

Catalog Number	Conductor		Stud Hole Size	Tongue Width	Figure Dimensions			Dieless	Installation Tooling (# of crimps)					Wire Strip Length
	AWG	MM ² ***			(B)	(T)	(L)		Mech.	Hydraulic		Color Code	Die Index	
										MD6, OUR840, MD7-34R	BCT500HS, Y500CTHS			
YA8CLNT6	#8 AWG #8 Flex G,H,I,K,M DLO 37/24	10	#6	0.29	0.44	0.09	1.08	Y1MRTC (1) Y122CMR (1) MY29-3 (1) MY29-11 (1) Y81KFT (1)	W8CVT (1)	X8CRT (1)	U8CRT (1)	Red	49	1/2
YA8CLNT8			#8	0.33	0.44	0.09	1.18							
YA6CLNT6	#6 AWG Sol./Str.□	—	#6	0.29	0.54	0.09	1.17	Y1MRTC (1) MY29-3 (1) MY29-11 (1) MRC840 (1) Y81KFT (1) PAT81KFT (1) Y122CMR (1)	W5CVT (1)	X5CRT (1)	U5CRT (1)	Blue	7	7/8
YA4CLNT10	#4 AWG	—	#10	0.40	0.81	0.09	1.73		W4CVT (1)	X4CRT (1)	U4CRT (1)	Gray	8	7/8
YA3CLNT14	#3 AWG #2 Sol.	25	1/4	0.41	0.88	0.08	1.82		W3CVT (1)	W3CVT (1)	U3CRT (1)	White	9	15/16
YA3CLNT516			5/16	0.49	0.88	0.08	1.80							
YA2CLNT10	#2 AWG	35	#10	0.48	0.88	0.11	1.80		W2CVT (1)	X2CRT (1)	U2CRT (1)	Brown	10	15/16
YA2CLNT14			1/4	0.48	0.88	0.11	1.80							
YA2CLNT516			5/16	0.49	0.88	0.11	1.82							
YA1CLNT10	#1 AWG	50	#10	0.50	0.88	0.10	2.23	MY29-3 (1) MY29-11 (1) Y81KFT (1)	W1CVT (1)	X1CRT1 (1)	U1CRT1 (1)	Green	11	15/16
YA1CLNT14			1/4	0.50	0.88	0.10	2.23							
YA25LNT10	1/0 AWG	—	#10	0.62	0.88	0.12	2.28	MY29-3 (1) MY29-11 (1) MRC840	W25VT (2)	X25RT (2)	U25RT (1)	Pink	12	15/16
YA25LNT14			1/4	0.48	0.88	0.12	1.93							
YA25LNT516			5/16	0.62	0.88	0.12	2.28							
YA25LNT38			3/8	0.62	0.88	0.12	2.18							
YA26LNT10	2/0 AWG	70	#10	0.62	0.94	0.13	2.62	Y644HSXT (1) Y81KFT (1) PAT81KFT (1)	W26VT (2)	X26RT (1)	U26RT (1)	Black	13	1
YA26LNT14			1/4	0.48	0.94	0.12	2.02							
YA26LNT516			5/16	0.62	0.94	0.13	2.62							
YA26LNT38			3/8	0.72	0.94	0.12	2.48							
YA27LNT14	3/0 AWG	—	1/4	0.76	1.00	0.13	2.10	MY29-3 (1) MY29-11 (1) MRC840 (2) Y644 (1) Y81KFT (2) PAT81KFT (2)	W27VT (2)	X27RT (3)	U27RT (1)	Orange	14	1-1/16
YA27LNT516			5/16	0.60	1.00	0.12	2.17							
YA27LNT38	4/0 AWG	—	3/8	0.76	1.00	0.12	2.73	W28VT (2)	X28RT (3)	U28RT (1)	Purple	15	1-1/8	
YA28LNT14			1/4	0.76	0.88	0.14	2.60							
YA28LNT516			5/16	0.70	0.88	0.14	2.09							
YA28LNT38			3/8	0.76	0.88	0.14	2.67	W28VT (2) W28RT (2) X28RT (3)	X28RT (3)	U28RT (1)	Purple	15	1-1/16	

* Use PUADP-1 adapter with U dies in Y46 HYPRESS™ □ Y644 / PAT644 tooling not for use on 6 AWG Sol.
 ** The MM² conductor size listed is for Class 2 and Class 5 conductor ▲ See tooling section of this catalog for complete tool and die listings. Use ONLY color-coded die recommendations for FX connectors. For nest/indenter system contact factory
 *** The MM² conductor sizes listed are the recommendations for Class 2 conductor ♦ For applications greater than 2000 Volts consult cable manufacturer for voltage stress relief instructions
Note: All dimensions shown are for reference only.

ONE HOLE HYLUG™ CODE CONDUCTOR STANDARD BARREL NARROW TONGUE (Continued)



C-18

45° and 90° angles available. Please contact Customer Service to order: 1-800-346-4175



NOTE: Field bending straight lugs to achieve an angular connection will void UL Listing / CSA Certifications and BURNDY will not be liable for the connection.

Catalog Number	Conductor		Stud Hole Size	Tongue Width	Figure Dimensions			Dieless	Installation Tooling (# of crimps)					Wire Strip Length
	AWG	MM ² ***			(B)	(T)	(L)		Mech.	Hydraulic		Color Code	Die Index	
										MD6, OUR840, MD7-34R	BCT500HS, Y500CTHS			
YA29LENT516	250 kcmil	—	5/16	0.76	1.06	0.16	2.49	MY29-3 (1) MY29-11 (1) MRC840 (2) Y644HSXT (1) Y81KFT (2) Y81KFTMBH (2) PAT81KFT-18V (2)	W29VT (2)	X29RT (4)	U29RT (1)	Yellow	16	1-1/8
YA29LENT38			3/8	0.76	1.06	0.16	2.96							
YA29LNT38			3/8	0.96	1.06	0.16	2.96							
YA30LNT14	300 kcmil	150	1/4	0.83	1.03	0.16	2.26	Y644HSXT (1) Y81KFT (2) Y81KFTMBH (2) PAT81KFT-18V (2)	W30VT (2)	—	U30RT (2)	White	17	1-1/8
YA30LNT38			3/8	0.96	1.03	0.16	2.97							
YA31LNT38	350 kcmil	185	3/8	0.96	1.06	0.18	3.31		W31VT (2)	—	U31RT (2)	Red	18	1-1/8
YA31LNT12			1/2	0.88	1.06	0.18	2.75							
YA32LNT38	400 kcmil	—	3/8	0.96	1.19	0.20	3.21		W32VT (2)	—	U32RT (2)	Blue	19	1-1/4
YA32LNT12			1/2	0.96	1.19	0.19	3.21							
YA34LNT38	500 kcmil	240	3/8	0.96	1.27	0.23	3.65		W34VT (2)	—	U34RT (2)	Brown	20	1-7/16
YA34LNT12			1/2	0.96	1.27	0.23	3.65							
YA36LNT38	600 kcmil	300	3/8	1.12	1.38	0.27	4.09		—	—	U36RT (2)	Green	22	1-3/4
YA36LNT12			1/2	1.00	1.38	0.27	3.29							
YA39LNT38	750 kcmil	—	3/8	1.12	1.42	0.27	4.24	Y81KFT (3) Y81KFTMBH (3) PAT81KFT-18V (3)	—	—	U39RT (2)	Black	24	1-15/16
YA39LNT12			1/2	1.12	1.42	0.27	4.24							
YA39LNT58			5/8	1.30	1.42	0.27	3.67							

* Use PUADP-1 adapter with U dies in Y46 HYPRESS™
 ** The MM² conductor size listed is for Class 2 and Class 5 conductor
 *** The MM² conductor sizes listed are the recommendations for Class 2 conductor

□ Y644 / PAT644 tooling not for use on 6 AWG Sol.
 ▲ See tooling section of this catalog for complete tool and die listings. Use ONLY color-coded die recommendations for FX connectors. For nest/indenter system contact factory

◆ For applications greater than 2000 Volts consult cable manufacturer for voltage stress relief instructions
Note: All dimensions shown are for reference only.

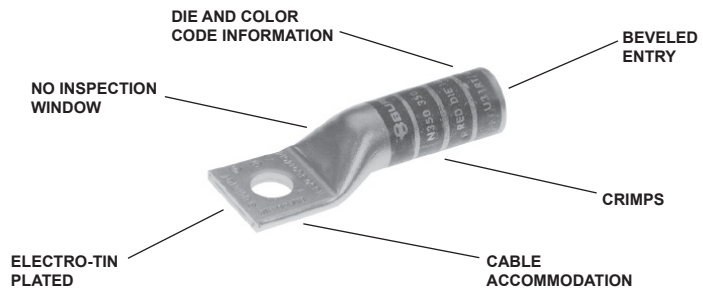
**ONE HOLE HYLUG™
CODE CONDUCTOR
LONG BARREL**

TYPES YA, YA-TC

**UNINSULATED COPPER
COMPRESSION TERMINAL**

UL Listed 90° C, Up to 35 kV ♦

45° and 90° angles are available.
Please contact Customer Service to
order: 1-800-346-4175



C-19



NOTE: Field bending straight lugs to achieve an angular connection will void UL Listing / CSA Certifications and BURNDY will not be liable for the connection.

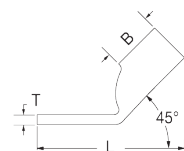
Features & Benefits

- No inspection window is ideal for more corrosive environments as the barrel transition is not open
- Barrel is designed with an internal chamfer at the wire entry to ensure smooth insertion of the wire, preventing possible damaging of the wire strands during insertion
- Long barrel allows for an increased number of crimps which will increase the mechanical strength of the connection
- 45° and 90° angular lugs are available, please contact Customer Service
- Electro-tin plated unless otherwise specified to reduce galvanic corrosion (bimetallic) and resist corrosive elements
- Connectors are clearly marked with stamping and barrel color coding

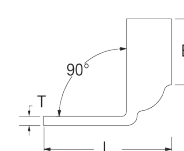
Straight



45°



90°



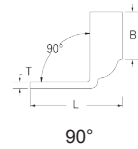
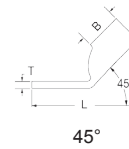
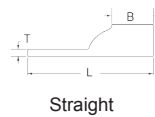
Compression Connections

BURNDY®

Copper Compression — Code — Long Barrel — No Inspection Window

ONE HOLE HYLUG™ CODE CONDUCTOR LONG BARREL

(Continued)



NOTE: Field bending straight lugs to achieve an angular connection will void UL Listing / CSA Certifications and BURNDY will not be liable for the connection.

C-20

45° and 90° angles available. Please contact Customer Service to order: 1-800-346-4175

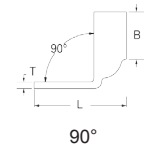
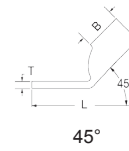
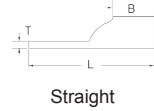
Catalog Number	Conductor		Stud Hole Size	Tongue Width	Figure Dimensions			Installation Tooling					Wire Strip Length		
	AWG	MM ² ***			(B)	(T)	(L)	Dieless (# of crimps)	Mech.		Hydraulic			Color Code	Die Index
									MD6, OUR840, MD7-34R	BCT500HS, Y500CTHS	Y35, Y39, Y750 Y46**, PAT750				
YA8CTC10	#8 AWG #8 Flex G,H,I,K,M DLO 37/24	† 10	#10	0.41	0.81	0.08	1.57	Y122CMR (2) MRC840 (2) MY29-3 (2) MY29-11 (2) Y8MBR-1 (1) Y1MRTC (2) Y81KFT(1) PAT81KFT (1)	W8CVT (2) W8CRT (2) X8CRT (2)	X8CRT (2) W8CRT (2) W8CRT (2)	U8CRT (2)	Red	49	7/8	
YA8CTC14			1/4	0.44	0.81	0.08	1.69								
YA8CTC38			3/8	0.58	0.81	0.06	1.88								
YA6CTC8	#6 AWG Sol./Str.	—	#8	0.42	1.12	0.09	1.83	Y122CMR (2) MRC840 (2) MY29-3 (2) MY29-11 (2) Y644HSXT (1) Y1MRTC (2) Y81KFT (1) PAT81KFT (1)	W5CVT (2) W5CRT (2) X5CRT (2) X8CART (2)	W5CVT (2) W5CRT (2) X5CRT (2) X8CART (2)	U5CRT (2) U8CABT (2)	Blue	7 or 374	1-3/16	
YA6CTC10			#10	0.42	1.12	0.09	1.89								
YA6C			1/4	0.41	1.12	0.09	1.81								
YA6CN			1/2	0.83	1.12	0.12	2.64								
YA6CTC516			5/16	0.52	1.12	0.07	2.08								
YA6CTC38			3/8	0.58	1.12	0.06	2.21								
YA5C	#5 AWG	—	1/4	0.44	1.12	0.07	1.98	W5CVT (2) W5CRT (2) X5CRT (2)	W5CVT (2) W5CRT (2) X5CRT (2)	U5CRT (2)	Blue	7 or 374	1-3/16		
YA5CN			1/2	0.83	1.12	0.12	2.67								
YA4CTC10	#4 AWG	—	#10	0.50	1.12	0.09	1.94	Y1MRTC (4) Y122CMR (4) MY29-3 (2) MY29-11 (2) Y644HSXT (1) Y81KFT (2) PAT81KFT (2)	W4CVT (2) W4CRT (2) X4CRT (2)	W4CVT (2) W4CRT (2) X4CRT (2)	U4CRT (2) U6CABT (2)	Gray	8 or 346	1-3/16	
YA4C			1/4	0.50	1.12	0.09	1.87								
YA4CTC38			3/8	0.58	1.12	0.08	2.25								
YA4CN			1/2	0.83	1.12	0.12	2.69								
YA3CTC14	#3 AWG #2 Solid	25	1/4	0.55	1.25	0.09	2.23	W3CRT (2)	W3CRT (2)	U3CRT (2)	White	9	1-5/16		
YA3C			5/16	0.55	1.25	0.09	2.30								
YA3CTC38			3/8	0.58	1.25	0.08	2.42								
YA3CN			1/2	0.83	1.25	0.12	2.86								
YA2CTC10	#2 AWG	35	#10	0.60	1.25	0.11	2.10	W2CVT (2) W2CRT (2) X2CRT (2)	W2CVT (2) W2CRT (2) X2CRT (2)	U2CRT (2)	Brown	10	1-5/16		
YA2CTC14			1/4	0.60	1.25	0.11	2.23								
YA2C			5/16	0.60	1.25	0.11	2.29								
YA2CTC38			3/8	0.60	1.25	0.11	2.41								
YA2CN			1/2	0.83	1.25	0.12	2.88								
YA1CTC10	#1 AWG	50	#10	0.68	1.38	0.10	2.27	PAT81KFT (2) Y1MR TC(4) MRC840 (2) MY29-3 (2) MY29-11 (2) Y644HSXT (1) Y81KFT (2)	W1CVT (2) W1CRT1 (2) X1CRT1 (2)	W1CVT (2) W1CRT1 (2) X1CRT1 (2)	U1CRT1 (2) U4CABT (2)	Green	11	1-7/16	
YA1CTC14			1/4	0.68	1.38	0.10	2.39								
YA1C			5/16	0.68	1.38	0.10	2.45								
YA1CTC38			3/8	0.68	1.38	0.10	2.58								
YA1CN			1/2	0.83	1.38	0.12	3.06								

* Use PUADP-1 adapter with U dies in Y46 HYPRESS™
 ** P-RT die sets for use in Y46 HYPRESS™ only, PUADP-1 adapter not required
 *** The MM² conductor sizes listed are the recommendations for Class 2 conductor

▲ See tooling section of this catalog for complete tool and die listings. Use ONLY color coded die recommendations for -FX connectors. For nest/indenter system contact factory

• Available undrilled. Add suffix U to catalog number (example: YA25U)
 ♦ For applications greater than 2000 Volts consult cable manufacturer for voltage stress relief instructions
 Note: All dimensions shown are for reference only

**ONE HOLE HYLUG™
CODE CONDUCTOR
LONG BARREL**
(Continued)



45° and 90° angles available. Please contact Customer Service to order: 1-800-346-4175



NOTE: Field bending straight lugs to achieve an angular connection will void UL Listing / CSA Certifications and BURNDY will not be liable for the connection.

C-21

Catalog Number	Conductor		Stud Hole Size	Tongue Width	Figure Dimensions			Installation Tooling					Wire Strip Length							
	AWG	MM ² ***			(B)	(T)	(L)	Dieless (# of crimps)	Mech.	Hydraulic		Color Code		Die Index						
									MD6, OUR840, MD7-34R	BCT500HS, Y500CTHS	Y35, Y39, Y750 Y46**, PAT750									
YA25TC10	1/0 AWG	—	#10	0.75	1.38	0.12	2.30	MRC840 (4) MY29-3 (2) MY29-11 (2) Y644HSXT (1) Y81KFT (2) Y81KFTMBH (2) PAT81KFT-18V (2)	W25VT (4) W25RT (4) X25RT (4)	W25VT (4) W25RT (4) X25RT (4)	U25RT (2) U2CABT (2)	Pink	12	1-7/16						
YA25			5/16	0.75	1.38	0.13	2.48													
YA25TC38			3/8	0.75	1.38	0.12	2.61													
YA25N			1/2	0.83	1.38	0.11	3.05													
YA26TC14	2/0 AWG	70	1/4	0.83	1.50	0.12	2.58	MRC840 (4) MY29-3 (2) MY29-11 (2) Y644HSXT (1) Y81KFT (2) Y81KFTMBH (2) PAT81KFT-18V (2)	W26VT (4) W26RT (4) X26RT (4)	W26VT (4) W26RT (4) X26RT (4)	U26RT (2)	Black	13	1-9/16						
YA26TC516			5/16	0.83	1.50	0.12	2.65													
YA26			3/8	0.83	1.50	0.12	2.77													
YA26N			1/2	0.83	1.50	0.12	3.21													
YA27	3/0 AWG	—	1/2	0.91	1.50	0.13	3.06	MRC840 (4) MY29-3 (2) MY29-11 (2) Y644HSXT (1) Y81KFT (2) Y81KFTMBH (2) PAT81KFT-18V (2)	W27VT (4) W27RT (4) X27RT (6)	W27VT (4) W27RT (4) X27RT (6)	U27RT (2)	Orange	14	1-9/16						
YA28TC38	4/0 AWG	—	3/8	1.02	1.62	0.14	2.98													
YA28			1/2	1.02	1.62	0.14	3.23	W28VT (4) W28RT (4) X28RT (6)	W28VT (4) W28RT (4) X28RT (6)	U28RT (2)	Purple	15	1-11/16							
YA29	250 kcmil	—	1/2	1.11	1.62	0.16	3.26	MY29-3 (2) MY29-11 (2) Y644HSXT (1) Y81KFT (2) Y81KFTMBH (2) PAT81KFT-18V (2)	W29VT (4) X29RT (8)	W29VT (4) W29RT (4) X29RT (8)	U29RT (2)	Yellow	16	1-11/16						
YA30	300 kcmil	150	1/2	1.20	2.00	0.16	3.69													
YA30N			1/2	1.20	2.00	0.16	3.88	Y644HSXT (1) Y81KFT (3) Y81KFTMBH (3) PAT81KFT-18V (3)	W30VT (4)	W30VT (4) W30RT (4)	U30RT (4) U28ART (4)	White	17 or 298	2-1/16						
YA31	350 kcmil	185	1/2	1.29	2.00	0.18	3.73								W31VT (4)	W31VT (4) W31RT (4)	U31RT (4) U29ART (4)	Red	18 or 324	2-1/16
YA32N	400 kcmil	—	1/2	1.40	2.12	0.19	4.09													
YA32			5/8	1.40	2.12	0.19	4.15	W32VT (4)	W32VT (4) W32RT (4)	U32RT (4) U30ART (4)	Blue	19 or 470	2-3/16							

* Use PUADP-1 adapter with U dies in Y46 HYPRESS™
 ** P-RT die sets for use in Y46 HYPRESS™ only, PUADP-1 adapter not required
 *** The MM² conductor sizes listed are the recommendations for Class 2 conductor

▲ See tooling section of this catalog for complete tool and die listings. Use ONLY color coded die recommendations for -FX connectors. For nest/indenter system contact factory

• Available undrilled. Add suffix U to catalog number (example: YA25U)
 ♦ For applications greater than 2000 Volts consult cable manufacturer for voltage stress relief instructions
 Note: All dimensions shown are for reference only

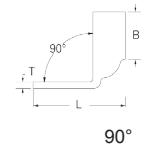
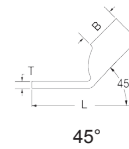
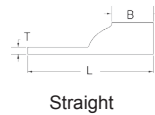
Compression Connections

BURNDY®

Copper Compression — Code — Long Barrel — No Inspection Window

ONE HOLE HYLUG™ CODE CONDUCTOR LONG BARREL

(Continued)



C-22

45° and 90° angles available. Please contact Customer Service to order: 1-800-346-4175



NOTE: Field bending straight lugs to achieve an angular connection will void UL Listing / CSA Certifications and BURNDY will not be liable for the connection.

Catalog Number	Conductor		Stud Hole Size	Tongue Width	Figure Dimensions			Installation Tooling					Wire Strip Length		
	AWG	MM ² ***			(B)	(T)	(L)	Dieless (# of crimps)	Mech. MD6, OUR840, MD7-34R	Hydraulic		Color Code		Die Index	
YA33N	450 kcmil	—	1/2	1.48	2.13	0.21	4.17			Y644HSXT (1) Y81KFT (4) Y81KFTMBH (4) PAT81KFT-18V (4)	W33VT (4)		W33VT (4) W33RT (4)		U33RT (4)
YA33	450 kcmil	—	5/8	1.48	2.13	0.21	4.24	Y644HSXT (1) Y81KFT (4) Y81KFTMBH (4) PAT81KFT-18V (4)	W34VT (4)		W34VT (4) W34RT (4)	U34RT (4) U31ART (2)	Brown	20 or 299	2-5/16
YA34N	500 kcmil	240	1/2	1.55	2.25	0.23	4.32					—	—	U35RT (4)	Yellow
YA34	500 kcmil	—	5/8	1.55	2.25	0.23	4.39		—		—			U36RT (4) U32ART (4)	Green
YA35N	550 kcmil	—	1/2	1.65	2.63	0.25	4.73					—	—	U37RT (4)	Orange
YA35	550 kcmil	—	5/8	1.65	2.63	0.25	4.79		—		—			U38RT (4)	Pink
YA36N	600 kcmil	300	1/2	1.74	2.69	0.27	4.83					—	—	U39RT (4) P39RT (4)	Black
YA36	600 kcmil	—	5/8	1.74	2.69	0.27	4.90		—		—			P40RT (4)	Orange
YA37N	650 kcmil	—	1/2	1.80	2.81	0.27	4.98					—	—	—	Gold
YA37	650 kcmil	—	5/8	1.80	2.81	0.27	5.05		—		—			P44RT (4)	White
YA38N	700 kcmil	—	1/2	1.84	2.81	0.27	5.01					—	—	P45RT (6)	Yellow
YA38	700 kcmil	—	5/8	1.84	2.81	0.27	5.07		—		—			P46RT (6)	Green
YA39N	750 kcmil	—	1/2	1.91	2.88	0.27	5.11					—	—	—	Gray
YA39	750 kcmil	—	5/8	1.91	2.88	0.27	5.17		—		—			—	Brown
YA40	800 kcmil	400	5/8	1.98	2.94	0.30	5.25					—	—	—	—
YA41N	850 kcmil	—	1/2	2.01	2.94	0.31	5.20		—		—				
YA41	850 kcmil	—	5/8	2.01	2.94	0.31	5.26					—	—	—	—
YA44N	1000 kcmil	500	1/2	2.19	3.00	0.33	5.38		—		—				
YA44	1000 kcmil	—	5/8	2.19	3.00	0.33	5.45					—	—	—	—
YA45	1250 kcmil	—	3/4	2.46	3.19	0.38	5.93		—		—				
YA46N	1500 kcmil	—	1/2	2.69	3.19	0.40	5.79					—	—	—	—
YA46	1500 kcmil	—	3/4	2.69	3.19	0.40	6.04		—		—				
YA47N	1750 kcmil	—	1/2	2.90	3.44	0.42	6.13					—	—	—	—
YA47	1750 kcmil	—	3/4	2.90	3.44	0.42	6.38		—		—				
YA48N	2000 kcmil	—	1/2	3.10	3.44	0.46	6.22			—		—	—	—	—
YA48	2000 kcmil	—	3/4	3.10	3.44	0.46	6.47	—	—		—				

* Use PUADP-1 adapter with U dies in Y46 HYPRESS™
 ** P-RT die sets for use in Y46 HYPRESS™ only, PUADP-1 adapter not required
 *** The MM² conductor sizes listed are the recommendations for Class 2 conductor

▲ See tooling section of this catalog for complete tool and die listings. Use ONLY color coded die recommendations for -FX connectors. For nest/indenter system contact factory

• Available undrilled. Add suffix U to catalog number (example: YA25U)
 ♦ For applications greater than 2000 Volts consult cable manufacturer for voltage stress relief instructions
 Note: All dimensions shown are for reference only

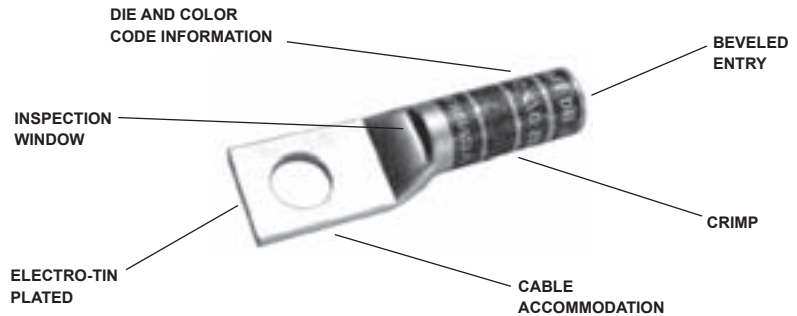
ONE HOLE HYLUG™
CODE CONDUCTOR
LONG BARREL WITH
INSPECTION WINDOW

TYPE YAZ

UNINSULATED COPPER
COMPRESSION TERMINAL

UL Listed 90° C, Up to 35 kV ♦

45° and 90° angles are available.
Please contact Customer Service to order:
1-800-346-4175



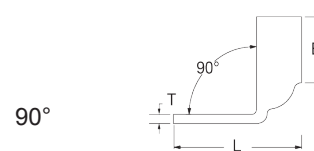
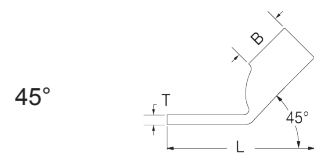
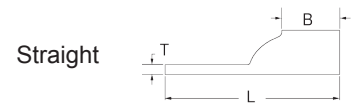
C-23



NOTE: Field bending straight lugs to achieve an angular connection will void UL Listing / CSA Certifications and BURNDY will not be liable for the connection.

Features & Benefits

- Inspection window allows for visual verification that the wire has been fully inserted prior to crimping the lug
- Barrel is designed with an internal chamfer at the wire entry to ensure smooth insertion of the wire, preventing possible damaging of the wire strands during insertion
- Long barrel allows for an increased number of crimps which will increase the mechanical strength of the connection
- 45° and 90° angular lugs are available; please contact Customer Service
- Electro-tin plated unless otherwise specified to reduce galvanic corrosion (bimetallic) and resist corrosive elements
- Connectors are clearly marked with stamping and barrel color coding

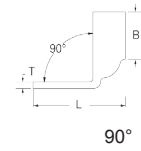
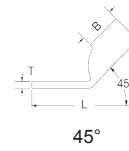
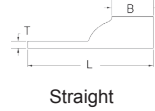


Compression Connections

BURNDY®

Copper Compression — Code — Long Barrel — Inspection Window

ONE HOLE HYLUG™ CODE CONDUCTOR LONG BARREL WITH INSPECTION WINDOW (Continued)



C-24

45° and 90° angles available. Please contact Customer Service to order: 1-800-346-4175



NOTE: Field bending straight lugs to achieve an angular connection will void UL Listing / CSA Certifications and BURNDY will not be liable for the connection.

Catalog Number	Conductor		Stud Hole Size	Tongue Width	Figure Dimensions			Dieless (# of crimps)	Installation Tooling				Wire Strip Length	
	AWG	MM ² ***			(B)	(T)	(L)		Mech.	Hydraulic		Color Code		Die Index
										MD6, OUR840, MD7-34R	BCT500HS, Y500CHS			
YAZV10TC14	#14-10 Str #12-10 Sol	6	1/4	0.41	0.69	0.05	1.52	MR20 (2) Y8MRB-1 (2) Y122CMR (2)	—	—	—	—	—	3/4
YAZ8CTC10	#8 AWG #8 Flex G,H,I,K,M DLO 37/24	10	#10	0.41	0.75	0.08	1.43	Y122CMR (2) Y1MRTC (2) MY29-3 (2) MY29-11 (2) MRC840 (2) Y644HSXT (1) Y81KFT (1) Y81KFTMBH (1) PAT81KFT-18V (1)	W8CVT (2) W8CRT (2) X8CRT (2)	W8CVT (2) W8CRT (2) X8CRT (2)	U8CRT(2)	Red	49	13/16
YAZ8CTC14			1/4	0.44	0.75	0.08	1.56							
YAZ8CTC38			3/8	0.58	0.75	0.06	1.75							
YAZ6CTC14	#6 AWG Sol □ / Str	—	1/4	0.45	1.12	0.08	2.02	W5CVT (2) W5CRT (2) X5CRT (2) X8CART(2)	W5CVT (2) W5CRT (2) X5CRT (2) X8CART (2)	U5CRT (2) U8CABT (2)	Blue	7 or 374	1-3/16	
YAZ6CTC38			3/8	0.58	1.12	0.06	2.21							
YAZ6CTC12			1/2	0.75	1.12	0.12	2.46							
YAZ5CTC12	#5 AWG	—	1/2	0.83	1.12	0.12	2.48	W5CVT (2) W5CRT (2) X5CRT (2)	W5CVT (2) W5CRT (2)	U5CRT (2)	Blue	7 or 374	1-3/16	
YAZ4CTC14	#4 AWG	—	1/4	0.50	1.12	0.09	2.04	Y122CMR (4) Y1MRTC (4) MY29-3 (2) MY29-11 (2) MRC840 (2) Y644HSXT (1) Y81KFT (1) PAT81KFT-18V (1)	W4CVT (2) W4CRT (2) X4CRT (2)	W4CVT (2) W4CRT (2) X4CRT (2)	U4CRT (2) U6CABT (2)	Gray	8 or 346	1-3/16
YAZ4CTC38			3/8	0.58	1.12	0.08	2.22							
YAZ4CTC12			1/2	0.73	1.12	0.06	2.50							
YAZ3CTC14	#3 AWG #2 Sol	25	1/4	0.55	1.25	0.09	2.19	Y122CMR** (4) Y1MRTC (4) MY29-3 (2) MY29-11 (2) MRC840 (2) Y644HSXT (1) Y81KFT (2) PAT81KFT (2)	W3CRT (2)	W3CRT (2)	U3CRT (2)	White	9	1-5/16
YAZ3CTC38			3/8	0.58	1.25	0.08	2.38							
YAZ3CTC12			1/2	0.71	1.25	0.07	2.63							
YAZ2CTC14	#2 AWG	35	1/4	0.60	1.25	0.11	2.21	W2CVT (2) W2CRT (2) X2CRT (2)	W2CVT (2) W2CRT (2) X2CRT (2)	U2CRT (2)	Brown	10	1-5/16	
YAZ2CTC38			3/8	0.60	1.25	0.11	2.40							
YAZ2CTC12			1/2	0.73	1.25	0.09	2.65							
YAZ1CTC14	#1 AWG	50	1/4	0.68	1.38	0.10	2.37	W1CVT (2) W1CRT1 (2) X1CRT1 (2)	W1CVT(2) W1CRT1 (2) X1CRT1 (2)	U1CRT1 (2) U4CABT (2)	Green	11 or 375	1-7/16	
YAZ1CTC38			3/8	0.68	1.38	0.10	2.56							
YAZ1CTC12			1/2	0.73	1.38	0.09	2.81							

* Use PUADP-1 adapter with U dies in Y46 HYPRESS™

** Y122CMR tool #10-#2 AWG Wire only

*** The MM² conductor sizes listed are the recommendations for Class 2 conductor

† The MM² conductor size listed is for Class 2 and Class 5 conductor

▲ See tooling section of this catalog for complete tool and die listings

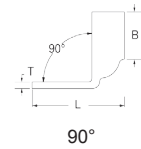
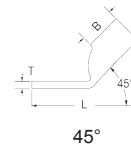
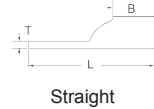
• Available undrilled. Add suffix U to catalog number (example: YA25U)

◆ For applications greater than 2000 Volts consult cable manufacturer for voltage stress relief instructions

□ Y644 / PAT644 tooling not for use on 6 AWG Sol.

Note: All dimensions shown are for reference only

**ONE HOLE HYLUG™
CODE CONDUCTOR
LONG BARREL WITH
INSPECTION WINDOW**
(Continued)



45° and 90° angles available. Please contact Customer Service to order: 1-800-346-4175



NOTE: Field bending straight lugs to achieve an angular connection will void UL Listing / CSA Certifications and BURNDY will not be liable for the connection.

C-25

Catalog Number	Conductor		Stud Hole Size	Tongue Width	Figure Dimensions			Dieless (# of crimps)	Installation Tooling					Wire Strip Length
	AWG	MM ² ***			(B)	(T)	(L)		Mech.	Hydraulic		Color Code	Die Index	
										MD6, OUR840, MD7-34R	BCT500HS, Y500CTHS			
YAZ25TC14	1/0 AWG	—	1/4	0.75	1.38	0.12	2.40	MY29-3 (2) MY29-11 (2) MRC840 (4) Y644HSXT (1) Y81KFT (2) Y81KFTMBH (2) PAT81KFT-18V (2)	W25RT (4) W25VT (4) X25RT (4)	W25VT (4) W25RT (4) X25RT (4)	U25RT (2) U2CABT (2)	Pink	12 or 348	1-7/16
YAZ25TC516			5/16	0.75	1.38	0.12	2.46							
YAZ25TC38			3/8	0.75	1.38	0.12	2.59							
YAZ25TC12			1/2	0.75	1.38	0.12	2.84							
YAZ26TC14	2/0 AWG	70	1/4	0.83	1.50	0.12	2.56	MY29-3 (2) MY29-11 (2) MRC840 (4) Y644HSXT (1) Y81KFT (2) Y81KFTMBH (2) PAT81KFT-18V (2)	W26RT (4) W26VT (4) X26RT (4)	W26VT (4) W26RT (4) X26RT (4)	U26RT (2)	Black	13	1-9/16
YAZ26TC38			3/8	0.83	1.50	0.12	2.75							
YAZ26TC12			1/2	0.83	1.50	0.12	3.00							
YAZ27TC38	3/0 AWG	—	3/8	0.90	1.50	0.12	2.79	MY29-3 (2) MY29-11 (2) MRC840 (4) Y644HSXT (1) Y81KFT (2) Y81KFTMBH (2) PAT81KFT-18V (2)	W27RT (4) W27VT (4) X27RT (6)	W27VT (4) W27RT (4) X27RT (6)	U27RT (2)	Orange	14	1-9/16
YAZ27TC12			1/2	0.90	1.50	0.12	3.04							
YAZ28TC38	4/0 AWG	—	3/8	1.02	1.62	0.14	2.95	MY29-3 (2) MY29-11 (2) MRC840 (4) Y644HSXT (1) Y81KFT (2) Y81KFTMBH (2) PAT81KFT-18V (2)	W28VT (4) W28RT (4) X28RT (6)	W28VT (4) W28RT (4) X28RT (6)	U28RT (2)	Purple	15	1-11/16
YAZ28TC12			1/2	1.02	1.62	0.14	3.20							
YAZ29TC38	250 kcmil	—	3/8	1.10	1.62	0.16	2.98	MY29-3 (2) MY29-11 (2) MRC840 (4) Y644HSXT (1) Y81KFT (2) Y81KFTMBH (2) PAT81KFT-18V (2)	W29VT (4) X29RT (8)	W29VT (4) W29RT (4) X29RT (6)	U29RT (2)	Yellow	16	1-11/16
YAZ29TC12			1/2	1.10	1.62	0.16	3.23							
YAZ30TC38	300 kcmil	150	3/8	1.20	2.00	0.16	3.41	Y644HSXT (1) Y81KFT (3) Y81KFTMBH (3) PAT81KFT-18V (3)	W30VT (4)	W30VT (4) W30RT (4)	U30RT U28ART(4)	White	17 or 298	2-1/16
YAZ30TC12			1/2	1.20	2.00	0.16	3.66							
YAZ31TC38	350 kcmil	185	3/8	1.29	2.00	0.18	3.44	Y644HSXT (1) Y81KFT (3) Y81KFTMBH (3) PAT81KFT-18V (3)	W31VT (4)	W31VT (4) W31RT (4)	U31RT U29ART (4)	Red	18 or 324	2-1/16
YAZ31TC12			1/2	1.29	2.00	0.18	3.69							
YAZ32TC38	400 kcmil	—	3/8	1.40	2.12	0.19	3.61	Y644HSXT (1) Y81KFT (4) Y81KFTMBH (4) PAT81KFT-18V (4)	W32VT (4)	W32VT (4) W32RT (4)	U32RT U30ART (4)	Blue	19 or 470	2-3/16
YAZ32TC12			1/2	1.40	2.12	0.19	3.86							
YAZ33TC12	450 kcmil	—	1/2	1.48	2.12	0.21	3.95	Y644HSXT (1) Y81KFT (4) Y81KFTMBH (4) PAT81KFT-18V (4)	W33VT (4)	W33VT (4) W33RT (4)	W33RT (4)	Gray	326 or 538	2-5/16
YAZ34TC38	500 kcmil	240	3/8	1.55	2.25	0.23	3.84							
YAZ34TC12			1/2	1.55	2.25	0.23	4.10	Y644HSXT (1) Y81KFT (4) Y81KFTMBH (4) PAT81KFT-18V (4)	W34VT (4)	W34VT (4) W34RT (4)	U34RT (4) U31ART(2)	Brown	20 or 299	2-5/16
YAZ35TC12	550 kcmil	—	1/2	1.65	2.62	0.25	4.50							

* Use PUADP-1 adapter with U dies in Y46 HYPRESS™

** P-RT die sets for use in Y46 HYPRESS™ only, PUADP-1 adapter not required

*** The MM² conductor sizes listed are the recommendations for Class 2 conductor

† The MM² conductor size listed is for Class 2 and Class 5 conductor

▲ See tooling section of this catalog for complete tool and die listings

• Available undrilled. Add suffix U to catalog number (example: YA25U)

◆ For applications greater than 2000 Volts consult cable manufacturer for voltage stress relief instructions

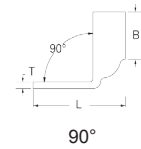
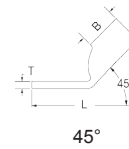
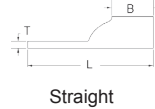
Note: All dimensions shown are for reference only

Compression Connections

BURNDY®

Copper Compression — Code — Long Barrel — Inspection Window

ONE HOLE HYLUG™ CODE CONDUCTOR LONG BARREL WITH INSPECTION WINDOW (Continued)



C-26

45° and 90° angles available. Please contact Customer Service to order: 1-800-346-4175



NOTE: Field bending straight lugs to achieve an angular connection will void UL Listing / CSA Certifications and BURNDY will not be liable for the connection.

Catalog Number	Conductor		Stud Hole Size	Tongue Width	Figure Dimensions			Installation Tooling									
	AWG	MM ² ***			(B)	(T)	(L)	Dieless (# of crimps)	Mech.	Hydraulic		Color Code	Die Index	Wire Strip Length			
									MD6, OUR840, MD7-34R	BCT500HS, Y500CTHS	Y35, Y39, Y750 Y46, PAT750						
YAZ36TC38	600 kcmil	300	3/8	1.74	2.69	0.26	4.54	Y644HSXT (1) Y81KFT (4) Y81KFTMBH (4) PAT81KFT-18V (4)	—	—	U36RT (4)	Green	22 or 472	2-3/4			
YAZ36TC12			1/2	1.74	2.69	0.26	4.60				U32ART (4)						
YAZ37TC12	650 kcmil	—	1/2	1.80	2.81	0.27	4.75				U37RT (4)	Orange	23	2-7/8			
YAZ38TC12	700 kcmil	—	1/2	1.84	2.81	0.27	4.77				U38RT (4)	Pink	400	2-7/8			
YAZ39TC38	750 kcmil	—	3/8	1.91	2.88	0.27	4.81				U39RT (4)	Black	24	2-15/16			
YAZ39NT12			1/2	1.63	2.88	0.27	4.87				P39RT** (4)						
YAZ39TC12			1/2	1.91	2.88	0.27	4.87				—						
YAZ40TC12	800 kcmil	400	1/2	1.98	2.94	0.30	4.94				—	Orange	25	3			
YAZ41TC12	850 kcmil	—	1/2	2.01	2.94	0.31	4.96				—	Gold	26	3			
YAZ44TC38	1000 kcmil	500	3/8	2.19	3.00	0.33	5.08				—	—	—	P44RT** (4)	White	27	3-1/16
YAZ44TC12			1/2	2.19	3.00	0.33	5.14							—			
YAZ45TC12	1250 kcmil	—	1/2	2.46	3.19	0.38	5.43							P45RT** (6)	Yellow	29	3-1/4
YAZ453TC12	1300 kcmil	—	1/2	2.53	3.19	0.39	5.46							—	Orange	30	3-1/4
YAZ46TC12	1500 kcmil	—	1/2	2.69	3.19	0.40	5.53	P46RT** (6)	Green	31				3-1/4			
YAZ47TC12	1750 kcmil	—	1/2	2.90	3.44	0.42	5.87	—	Gray	33				3-1/2			
YAZ48TC12	2000 kcmil	—	1/2	3.10	3.44	0.46	5.95	—	Brown	34				3-1/2			

* Use PUADP-1 adapter with U dies in Y46 HYPRESS™

** P-RT die sets for use in Y46 HYPRESS™ only, PUADP-1 adapter not required

*** The MM² conductor sizes listed are the recommendations for Class 2 conductor

† The MM² conductor size listed is for Class 2 and Class 5 conductor

▲ See tooling section of this catalog for complete tool and die listings

• Available undrilled. Add suffix U to catalog number (example: YA25U)

◆ For applications greater than 2000 Volts consult cable manufacturer for voltage stress relief instructions

Note: All dimensions shown are for reference only

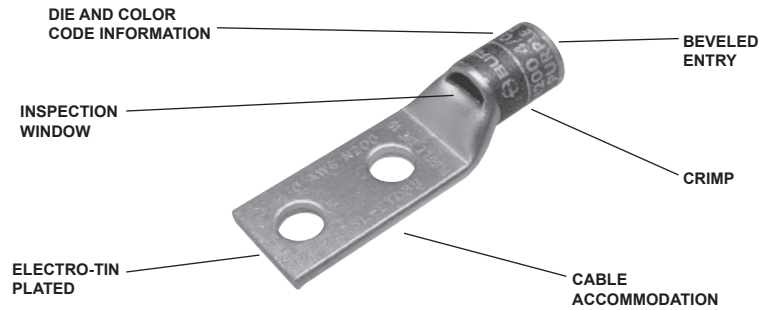
**TWO HOLE HYLUG™ CODE
CONDUCTOR STANDARD
BARREL**

**TYPES YAV-2TC, YA-L2L,
YA-2LN, AND YA-L-2TC**

**COPPER COMPRESSION
TERMINAL**

UL Listed 90° C, Up to 35 kV ♦

45° and 90° angles are available.
Please contact Customer Service to order.
1-800-346-4175

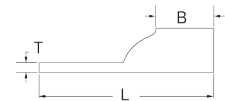


NOTE: Field bending straight lugs to achieve an angular connection will void UL Listing / CSA Certifications and BURNDY will not be liable for the connection.

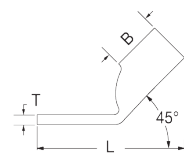
Features & Benefits

- Inspection window allows for visual verification that the wire has been fully inserted prior to crimping the lug
- Barrel is designed with an internal chamfer at the wire entry to ensure smooth insertion of the wire, preventing possible damaging of the wire strands during insertion
- Short/Standard length barrel is recommended for installations with limited space requirements
- Two hole tongue/tang is recommended when space permits as the 2-hole feature minimizes the terminations from loosening or rotating under vibration, movement, or heat cycling
- 45° and 90° angular lugs are available; please contact Customer Service
- Electro-tin plated unless otherwise specified to reduce galvanic corrosion (bimetallic) and resist corrosive elements
- Connectors are clearly marked with stamping and barrel color coding

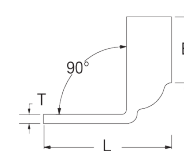
Straight



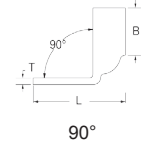
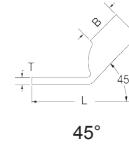
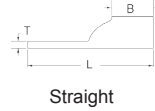
45°



90°



TWO HOLE HYLUG™ CODE CONDUCTOR STANDARD BARREL (Continued)



C-28

45° and 90° angles available. Please contact Customer Service to order: 1-800-346-4175



NOTE: Field bending straight lugs to achieve an angular connection will void UL Listing / CSA Certifications and BURNDY will not be liable for the connection.

Catalog Number	Conductor		Stud Hole Size	Stud Hole Spacing	Tongue Width	Figure Dimensions			Dieless (# of crimps)	Installation Tooling				Wire Strip Length										
	AWG	MM ² ***				(B)	(T)	(L)		Mech.	Hydraulic		Color Code		Die Index									
											MD6, OUR840, MD7-34R	BCT500HS, Y500CTHS				Y35, Y39, Y750, Y46*, PAT750								
YAV10-2TC10	#14-10 Str. #12-10 Sol.	6	#10	5/8"	0.36	0.38	0.06	1.72	MR20 (1) Y8MRB-1 (1) Y122CMR (1)	—	—	—	—	—	7/16									
YAV10-2TC14			1/4	5/8"	0.41	0.38	0.05	1.84																
YAV10-2TC14E1			1/4	1"	0.41	0.38	0.05	2.22																
YAV10-2TC14E2			1/4	3/4"	0.41	0.38	0.05	1.97																
YAV10-2TC38			3/8	1"	0.56	0.38	0.04	2.40																
YA8C-L2TC10	#8 AWG #8 Flex G,H,I,K,M DLO 37/24	† 10	#10	5/8"	0.41	0.44	0.08	1.83	Y122CMR (1) Y1MRTC (1) Y8MRB-1 (1) MY29-3 (1) MY29-11 (1) MRC840 (1) Y81KFT (1) Y81KFTMBH (1) PAT81KFT (1)	W8CVT (1) W8CRT (1) X8CRT (1)	W8CVT (1) W8CRT (1) X8CRT (1)	U8CRT (1)	Red	49	7/16									
YA8CL-2TC10E2			#10	3/4"	0.41	0.44	0.08	1.95																
YA8C-L2TC14			1/4	5/8"	0.44	0.44	0.08	1.95																
YA8C-L2TC14E2			1/4	3/4"	0.44	0.44	0.08	2.08																
YA8C-L2TC14E1			1/4	1"	0.44	0.44	0.08	2.33																
YA8C-L2TC38			3/8	1"	0.58	0.44	0.06	2.52																
YA8C-2LN			1/2	1-3/4"	0.83	0.44	0.12	3.75																
YA6C-2L51			6 AWG Sol/Str	—	#10	1/2"	0.42	0.54								0.09	1.79	Y122CMR (1) Y1MRTC (1) Y8MRB-1 (1) MY29-3 (1) MY29-11 (1) MRC840 (1) Y81KFT (1) Y81KFTMBH (1) PAT81KFT (1)	W5CVT (1) W5CRT (1) X5CRT (1) X8CART (1)	W5CVT (1) W5CRT (1) X5CRT (1) X8CART (1)	U5CRT (1) U8CABT (1)	Blue	7 or 374	5/8
YA6CL-2TC10					#10	5/8"	0.42	0.54								0.09	1.94							
YA6C-2L52	1/4	1/2"			0.45	0.54	0.08	1.88																
YA6CL-2TC14E	1/4	1/2"			0.45	0.54	0.08	1.94																
YA6C-2L	1/4	5/8"			0.45	0.54	0.08	2.01																
YA6CL-2TC14	1/4	5/8"			0.45	0.54	0.08	2.07																
YA6CL-2TC14E2	1/4	3/4"			0.45	0.54	0.08	2.19																
YA6CL-2TC14E1	1/4	1"			0.45	0.54	0.08	2.44																
YA6CL-2TC516E2	5/16	3/4"			0.52	0.54	0.07	2.53																
YA6CL-2TC516	5/16	1"			0.52	0.54	0.07	2.78																
YA6CL-2TC38	3/8	1"			0.58	0.54	0.06	2.63																
YA6C2LN	1/2	1-3/4"	0.83	0.54	0.12	4.10																		
YA5C-2L	5 AWG	—	1/4	5/8"	0.44	0.81	0.07	2.28	Y122CMR (1) Y1MRTC (1) MY29-3 (1) MY29-11 (1) MRC840 (1) Y81KFT (1) PAT81KFT (1)	W5CVT (1) W5CRT (1) X5CRT (1) X8CART (1)	W5CVT (1) W5CRT (1) X5CRT (1) X8CART (1)	U5CRT (1) U8CABT (1)	Blue	7 or 374	7/8									
YA4C-2L	4 AWG	—	1/4	5/8"	0.50	0.81	0.09	2.30	Y122CMR (2) Y1MRTC (2) MY29-3 (1) MY29-11 (1) MRC840 (1) Y644HSXT (1) Y81KFT (1) PAT81KFT (1)	W4CVT (1) W4CRT (1) X4CRT (1)	W4CVT (1) W4CRT (1) X4CRT (1)	U4CRT (1) U6CABT (1)	Gray	8 or 346	7/8									
YA4CL-2TC14			1/4	5/8"	0.50	0.81	0.09	2.36																
YA4CL-2TC14E2			1/4	3/4"	0.50	0.81	0.09	2.49																
YA4CL-2TC14E1			1/4	1"	0.50	0.81	0.09	2.74																
YA4CL-2TC516			5/16	1"	0.52	0.81	0.09	2.80																
YA4CL-2TC38			3/8	1"	0.58	0.81	0.08	2.96																
YA4C-2LN			1/2	1-3/4"	0.83	0.81	0.12	4.14																

-- Color code not assigned

* Use PUADP-1 adapter with U dies in Y46 HYPRESS™

*** The MM² conductor sizes listed are the recommendations for Class 2 conductor

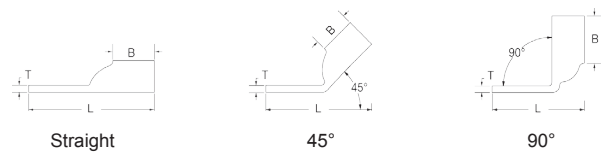
▲ See tooling section of this catalog for complete tool and die listings

◆ For applications greater than 2000 volts consult cable manufacturer for voltage stress relief instructions

□ Y644 / PAT644 tooling not for use on 6 AWG Sol.

Note: All dimensions shown are for reference only

**TWO HOLE HYLUG™ CODE
CONDUCTOR STANDARD
BARREL**
(Continued)



45° and 90° angles available. Please contact Customer Service to order: 1-800-346-4175



NOTE: Field bending straight lugs to achieve an angular connection will void UL Listing / CSA Certifications and BURNDY will not be liable for the connection.

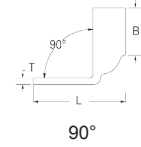
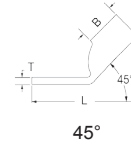
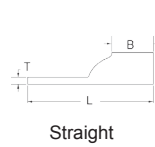
Catalog Number	Conductor		Stud Hole Size	Stud Hole Spacing	Tongue Width	Figure Dimensions			Dieless (# of crimps)	Installation Tooling				Wire Strip Length	
	AWG	MM ² ***				(B)	(T)	(L)		Mech.	Hydraulic		Color Code		Die Index
											MD6, OUR840, MD7-34R	BCT500HS, Y500CTHS			
YA3CL-2TC14	3 AWG #2 Sol.	25	1/4	5/8"	0.55	0.88	0.09	2.45	W3CRT (1)	W3CRT (1)	U3CRT (1)	White	9	15/16	
YA3C-2L			5/16	5/8"	0.55	0.88	0.09	2.64							
YA3CL-2TC38			3/8	1"	0.58	0.88	0.08	3.06							
YA2CL-2TC14	#2 AWG	35	1/4	5/8"	0.60	0.88	0.11	2.47	Y122CMR** (2) Y1MRTC (2) MY29-3 (1) MY29-11 (1) MRC840 (1) Y644HSXT (1) Y81KFT (1) Y81KFTMBH (1) PAT81KFT (1)	W2CVT (1) W2CRT (1) X2CRT (1)	W2CVT (1) W2CRT (1) X2CRT (1)	U2CRT (1)	Brown	10	15/16
YA2CL-2TC14E2			1/4	3/4"	0.60	0.88	0.11	2.60							
YA2CL-2TC14E1			1/4	1"	0.60	0.88	0.11	2.85							
YA2C-2L			5/16	3/4"	0.60	0.88	0.11	2.67							
YA2CL-2TC516			5/16	1"	0.60	0.88	0.11	2.91							
YA2CL-2TC38			3/8	1"	0.60	0.88	0.11	3.03							
YA2C-2LN			1/2	1-3/4"	0.83	0.88	0.12	4.27							
YA1CL-2TC14			1 AWG	50	1/4	5/8"	0.68	0.88							
YA1CL-2TC14E2	1/4	3/4"			0.68	0.88	0.10	2.64							
YA1C-2L	5/16	7/8"			0.68	0.88	0.10	2.82							
YA1CL-2TC38	3/8	1"			0.68	0.88	0.10	3.07							
YA1C-2LN	1/2	1-3/4"			0.83	0.88	0.12	4.32							
YA25L-2TC14	1/0 AWG	—			1/4	5/8"	0.75	0.88	0.12	2.54	W25VT (2) W25RT (2) X25RT (2)	W25VT (2) W25RT (2) X25RT (2)	U25RT (1) U2CABT (1)	Pink	12 or 348
YA25L-2TC14E2			1/4	3/4"	0.75	0.88	0.12	2.66							
YA25L-2TC14E1			1/4	1"	0.75	0.88	0.12	2.91							
YA25-2L			5/16	7/8"	0.75	0.88	0.12	2.85							
YA25L-2TC38			3/8	1"	0.75	0.88	0.12	3.10							
YA25-2LN			1/2	1-3/4"	0.83	0.88	0.11	4.29							
YA26L-2TC14	2/0 AWG	70	1/4	5/8"	0.83	0.94	0.12	2.64	MY29-3 (1) MY29-11 (1) MRC840 (2) Y644HSXT (1) Y81KFT (1) Y81KFTMBH (1) PAT81KFT (1)	W26VT (2) W26RT (2) X26RT (2)	W26VT (2) W26RT (2) X26RT (2)	U26RT (1)	Black	13	1
YA26L-2TC14E2			1/4	3/4"	0.83	0.94	0.12	2.76							
YA26L-2TC14E1			1/4	1"	0.83	0.94	0.12	3.01							
YA26-2L			5/16	7/8"	0.83	0.94	0.12	2.95							
YA26L-2TC38			3/8	1"	0.83	0.94	0.12	3.20							
YA26-2LN			1/2	1-3/4"	0.83	0.94	0.12	4.39							
YA27L-2TC14E2	3/0 AWG	—	1/4	3/4"	1.00	1.00	0.12	2.86	W27VT (2) W27RT (2) X27RT (3)	W27VT (2) W27RT (2) X27RT (3)	U27RT (1)	Orange	14	1-1/16	
YA27L-2TC38			3/8	1"	1.00	1.00	0.12	3.30							
YA27-2LN			1/2	1-3/4"	0.91	1.00	0.13	4.48							
YA28L-2TC14E2	4/0 AWG	—	1/4	3/4"	1.02	0.88	0.14	2.78	W28VT (2) W28RT (2) X28RT (3)	W28VT (2) W28RT (2) X28RT (3)	U28RT (1)	Purple	15	1-1/8	
YA28L-2TC14E1			1/4	1"	1.02	0.88	0.14	3.03							
YA28L2NTC516			5/16	1-3/4"	1.02	0.88	0.14	3.84							
YA28L-2TC38E2			3/8	3/4"	1.02	0.88	0.14	2.97							
YA28L-2TC38			3/8	1"	1.02	0.88	0.14	3.22							
YA28-2LN			1/2	1-3/4"	1.02	0.88	0.14	4.41							
YA29L-2TC38	250 kcmil	—	3/8	1.00"	1.10	1.06	0.16	3.43	MY29-3 (1) MY29-11 (1) Y644HSXT (1) Y81KFT (1) Y81KFTMBH (1) PAT81KFT (1)	W29VT (2) X29RT (4)	W29VT (2) W29RT (2) X29RT (4)	U29RT (1)	Yellow	16	1-1/8
YA29-2LN			1/2	1-3/4"	1.10	1.06	0.16	4.62							

-- Color code not assigned
* Use PUADP-1 adapter with U dies in Y46 HYPRESS™
** Y122CMR tool #10-#2 AWG Wire only

*** The MM² conductor sizes listed are the recommendations for Class 2 conductor
▲ See tooling section of this catalog for complete tool and die listings

◆ For applications greater than 2000 volts consult cable manufacturer for voltage stress relief instructions
Note: All dimensions shown are for reference only

TWO HOLE HYLUG™ CODE CONDUCTOR STANDARD BARREL (Continued)



C-30

45° and 90° angles available. Please contact Customer Service to order: 1-800-346-4175



NOTE: Field bending straight lugs to achieve an angular connection will void UL Listing / CSA Certifications and BURNDY will not be liable for the connection.

Catalog Number	Conductor		Stud Hole Size	Stud Hole Spacing	Tongue Width	Figure Dimensions			Dieless (# of crimps)	Installation Tooling			Color Code	Die Index	Wire Strip Length						
	AWG	MM² ***				(B)	(T)	(L)		Mech.	Hydraulic										
											MD6, OUR840, MD7-34R	BCT500HS, Y500CTHS				Y35, Y39, Y750, Y46*, PAT750					
YA30L-2TC-38	300 kcmil	150	3/8	1"	1.20	1.03	0.16	3.45	Y644HSXT (1) Y81KFT (1) Y81KFTMBH (1) PAT81KFT (1)	W30VT (2)	W30VT (2) W30RT (2)	U30RT (2) U28ART (2)	White	17 or 298	1						
YA30-2LN			1/2	1-3/4"	1.20	1.03	0.16	4.63													
YA31L-2TC14E2	350 kcmil	185	1/4	3/4"	1.29	1.06	0.18	3.07	Y644HSXT (1) Y81KFT (1) Y81KFTMBH (1) PAT81KFT (1)	W31VT (2)	W31VT (2) W31RT (2)	U31RT (2) U29ART (2)	Red	18 or 324	1-1/8						
YA31L-2NTC516			5/16	1-3/4"	1.29	1.06	0.18	4.13													
YA31L-2TC38			3/8	1"	1.29	1.06	0.18	3.51													
YA31L-2TC12			1/2	1-1/4"	1.29	1.06	0.18	4.01													
YA31-2LN			1/2	1-3/4"	1.29	1.06	0.18	4.70													
YA32-2L	400 kcmil	—	3/8	1"	1.40	1.19	0.19	3.75	Y644HSXT (1) Y81KFT (1) Y81KFTMBH (1) PAT81KFT (1)	W32VT (2)	W32VT (2) W32RT (2)	U32RT (2) U30ART (2)	Blue	19 or 470	1-1/4						
YA32L-2TC38			3/8	1"	1.40	1.19	0.19	3.69													
YA32L-2TC38E5			3/8	1-1/16"	1.40	1.19	0.19	3.75													
YA32-2LN			1/2	1-3/4"	1.40	1.19	0.19	4.88													
YA33-2LN	450 kcmil	—	1/2	1-3/4"	1.48	1.50	0.21	5.23	Y644HSXT (1) Y81KFT (1) Y81KFTMBH (1) PAT81KFT (1)	W33VT (2)	W33VT (2) W33RT (2)	U33RT (2)	Gray	326 or 538	1-9/16						
YA34L-2TC14E2	500 kcmil	240	1/4	3/4"	1.55	1.27	0.23	3.44	Y644HSXT (1) Y81KFT (1) Y81KFTMBH (1) PAT81KFT (1)	W34VT (2)	W34VT (2) W34RT (2)	U34RT (2) U31ART (2)	Brown	20 or 299	1-7/16						
YA34-2L			3/8	1"	1.55	1.27	0.23	3.94													
YA34L-2TC38			3/8	1"	1.55	1.27	0.23	3.88													
YA34L-2TC12			1/2	1-1/4"	1.55	1.27	0.23	4.38													
YA34-2LN			1/2	1-3/4"	1.55	1.27	0.23	5.06													
YA35-2L	550 kcmil	—	3/8	1-1/8"	1.65	1.69	0.25	4.64	Y644HSXT (1) Y81KFT (1) Y81KFTMBH (1) PAT81KFT (1)	—	—	U35RT (2)	Yellow	21	1-3/4						
YA35-2LN			1/2	1-3/4"	1.65	1.69	0.25	5.51													
YA36L-2TC38	600 kcmil	300	3/8	1"	1.74	1.38	0.27	4.23	Y644HSXT (1) Y81KFT (1) Y81KFTMBH (1) PAT81KFT (1)	—	—	U36RT (2) U32ART (2)	Green	22 or 472	1-3/4						
YA36-2LN			1/2	1-3/4"	1.74	1.38	0.27	5.23													
YA37-2L	650 kcmil	—	3/8	1-1/8"	1.80	1.39	0.27	4.40	Y644HSXT (1) Y81KFT (1) Y81KFTMBH (1) PAT81KFT (1)	—	—	U37RT (2)	Orange	23	1-15/16						
YA37-2LN			1/2	1-3/4"	1.80	1.39	0.27	5.27													
YA38L-2TC38	700 kcmil	—	3/8	1"	1.84	1.45	0.27	4.35	Y644HSXT (1) Y81KFT (1) Y81KFTMBH (1) PAT81KFT (1)	—	—	U38RT (2)	Pink	400	1-15/16						
YA38-2L			3/8	1-1/8"	1.84	1.45	0.27	4.48													
YA38L-2TC12			1/2	1-1/2"	1.84	1.45	0.27	4.67													
YA38-2LN			1/2	1-3/4"	1.84	1.45	0.27	5.35													
YA39L-2TC38	750 kcmil	—	3/8	1"	1.91	1.42	0.27	4.36	Y644HSXT (1) Y81KFT (1) Y81KFTMBH (1) PAT81KFT (1)	—	—	U39RT (2) P39RT (2)	Black	24	1-15/16						
YA39-2L			3/8	1-1/8"	1.91	1.42	0.27	4.48													
YA39L-2TC12E3			1/2	1-1/2"	1.91	1.42	0.27	4.92													
YA39-2LN			1/2	1-3/4"	1.91	1.42	0.27	5.36													
YA39L-2TC58			5/8	1-1/2"	1.91	1.42	0.27	5.17													
YA40L-2TC38	800 kcmil	400	3/8	1"	1.98	1.42	0.30	4.37	Y644HSXT (1) Y81KFT (2) Y81KFTMBH (2) PAT81KFT (2)	—	—	P40RT (3)	Orange	25	1-15/16						
YA40-2L			3/8	1-1/8"	1.98	1.42	0.30	4.50													
YA40-2LN			1/2	1-3/4"	1.98	1.42	0.30	5.38													
YA41-2L	850 kcmil	—	3/8	1-1/8"	2.01	1.88	0.31	4.97	Y644HSXT (1) Y81KFT (2) Y81KFTMBH (2) PAT81KFT (2)	—	—	P41D (1)** P44PR	Gold	26	1-15/16						
YA44-2L	1000 kcmil	500	1/2	1-1/4"	2.19	1.65	0.33	5.24	Y644HSXT (1) Y81KFT (2) Y81KFTMBH (2) PAT81KFT (2)	—	—	P44RT (3)	White	27	1-15/16						
YA44L-2TC12			1/2	1-1/4"	2.19	1.65	0.33	5.05													
YA44-2LN			1/2	1-3/4"	2.19	1.65	0.33	5.74													

-- Color code not assigned
 * Use PUADP-1 adapter with U dies in Y46 HYPRESS™
 ** P-RT die sets for use in Y46 HYPRESS™ only, PUADP-1 adapter not required

*** The MM² conductor sizes listed are the recommendations for Class 2 conductor
 ▲ See tooling section of this catalog for complete tool and die listings

◆ For applications greater than 2000 volts consult cable manufacturer for voltage stress relief instructions
Note: All dimensions shown are for reference only

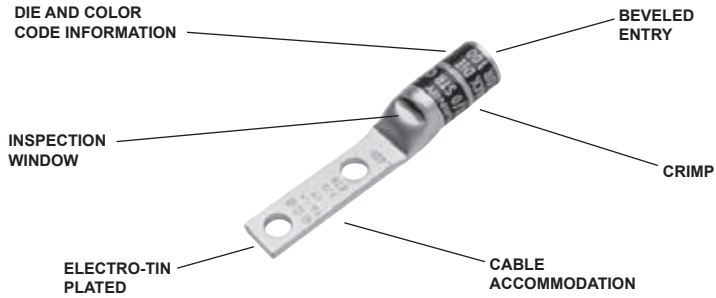
**TWO HOLE HYLUG™ CODE
CONDUCTOR STANDARD
BARREL NARROW TONGUE**

TYPES YA-L-2NT

**COPPER COMPRESSION
TERMINAL**

UL Listed 90° C, Up to 35 kV ♦

45° and 90° angles are available.
Please contact Customer Service to order:
1-800-346-4175



C-31

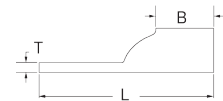


NOTE: Field bending straight lugs to achieve an angular connection will void UL Listing / CSA Certifications and BURNDY will not be liable for the connection.

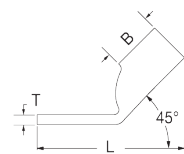
Features & Benefits

- Inspection window allows for visual verification that the wire has been fully inserted prior to crimping the lug
- Narrow tongue/tang is designed for limited space applications
- Barrel is designed with an internal chamfer at the wire entry to ensure smooth insertion of the wire, preventing possible damaging of the wire strands during insertion
- Short/Standard length barrel is recommended for installations with limited space requirements
- Two hole tongue/tang is recommended when space permits as the 2-hole feature minimizes the terminations from loosening or rotating under vibration, movement, or heat cycling
- 45° and 90° angular lugs are available; please contact Customer Service
- Electro-tin plated unless otherwise specified to reduce galvanic corrosion (bimetallic) and resist corrosive elements
- Connectors are clearly marked with stamping and barrel color coding

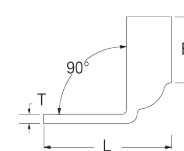
Straight



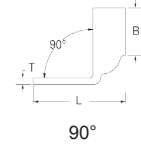
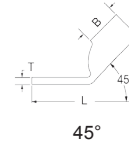
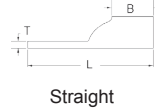
45°



90°



TWO HOLE HYLUG™ CODE CONDUCTOR STANDARD BARREL NARROW TONGUE (Continued)



C-32

45° and 90° angles available. Please contact Customer Service to order: 1-800-346-4175



NOTE: Field bending straight lugs to achieve an angular connection will void UL Listing / CSA Certifications and BURNDY will not be liable for the connection.

Catalog Number	Conductor		Stud Hole Size	Stud Hole Spacing	Tongue Width	Figure Dimensions			Dieless (# of crimps)	Installation Tooling			Color Code	Die Index	Wire Strip Length	
	AWG	MM² ***				(B)	(T)	(L)		Mech. MD6, OUR840, MD7-34R	Hydraulic					Color Code
											BCT500HS, Y500CTHS	Y35, Y39, Y750 Y46, PAT750				
YA2CL2NT14	#2 AWG	35	1/4	5/8"	0.48	0.88	0.11	2.47	Y122CMR** (1) MRC840 (1) MY29-3 (1) MY29-11 (1) Y644HSXT (1) Y1MRTC (2) Y81KFT (1) Y81KFTMBH (1) PAT81KFT (1)	W2CVT (1)	W2CVT (1)	U2CRT (1)	Brown	10	15/16	
YA2CL2NT14E2			1/4	1/4"	0.48	0.88	0.11	2.60								
YA2CL2NT14E1			1/4	1"	0.48	0.88	0.11	2.84								
YA1CL-2NT14	#1 AWG	50	1/4	5/8"	0.50	0.88	0.11	2.55	Y644HSXT (1) Y1MRTC (2) Y81KFT (1) Y81KFTMBH (1) PAT81KFT (1)	W1CVT (1)	W1CRT-1 (1)	U1CRT-1 (1)	Green	11	15/16	
YA1CL2NT14E2			1/4	3/4"	0.50	0.88	0.10	2.68								
YA25L2NT14	1/0 AWG	—	1/4	5/8"	0.48	0.88	0.12	2.56	MRC840 (2) MY29-3 (1) MY29-11 (1) Y644HSXT (1) Y81KFT (1) Y81KFTMBH (1) PAT81KFT (1)	W25VT (2)	W25VT (2)	U25RT (1)	Pink	12	15/16	
YA25L2NT14E1			1/4	1"	0.48	0.88	0.12	3.28								
YA26L2NT14	2/0 AWG	70	1/4	5/8"	0.48	0.94	0.12	2.66	MRC840 (2) MY29-3 (1) MY29-11 (1) Y644HSXT (1) Y81KFT (1) Y81KFTMBH (1) PAT81KFT (1)	W26VT (1)	W26VT (2) X26RT (2)	U26RT (1)	Black	13	1	
YA26L2NT14E1			1/4	1"	0.48	0.94	0.12	3.03								
YA27L2NT14	3/0 AWG	—	1/4	5/8"	0.76	1.00	0.13	2.73	MRC840 (2) MY29-3 (1) MY29-11 (1) Y644HSXT (1) Y81KFT (1) Y81KFTMBH (1) PAT81KFT (1)	W27VT (2) W27RT (2) X27RT (3)	W27VT (2) W27RT (2) X27RT (3)	U27RT (1)	Orange	14	1-1/16	
YA27L2NT38			3/8	1"	0.60	1.00	0.13	3.30								
YA27L2NT516	3/0 AWG	—	5/16	1"	0.60	1.00	0.13	3.26	Y81KFTMBH (1) PAT81KFT (1)	W27RT (2) X27RT (3)	W27RT (2) X27RT (3)	U27RT (1)	Orange	14	1-1/16	
YA28L2NT14	4/0 AWG	—	1/4	5/8"	0.76	0.88	0.13	2.65	Y81KFTMBH (1) PAT81KFT (1)	W28RT (2) X28RT (3)	W28RT (2) X28RT (3)	U28RT (1)	Purple	15	1-1/16	
YA29L2NT38	250 kcmil	—	3/8	1"	0.80	1.00	0.16	3.43	MY29-3 (1) MY29-11 (1) Y644HSXT (1) Y81KFT (1) Y81KFTMBH (1) PAT81KFT (1)	W29VT (2) X29RT (2)	W29VT (2) W29RT (2) X29RT (2)	U29RT (1)	Yellow	16	1-1/8	
YA29L2NT38E16			3/8	1-3/4"	0.80	1.06	0.16	4.18								
YA31L2NT38	350 kcmil	185	3/8	1"	0.96	1.06	0.18	3.51	Y644HSXT (1) Y81KFT (1) Y81KFTMBH (1) PAT81KFT (1)	W31VT (2)	W31VT (2) W31RT (2)	U31RT (1) U29ART (2)	Red	18	1-1/8	
YA31L2NT38E16			3/8	1-3/4"	0.88	1.06	0.18	4.26								
YA34L2NT38	500 kcmil	240	3/8	1"	0.96	1.27	0.23	3.65	Y644HSXT (1) Y81KFT (1) Y81KFTMBH (1) PAT81KFT (1)	W34VT (4)	W34VT (4)	U34RT (2)	Brown	20 or 22	1-7/16	
YA34L2NT38E16			3/8	1-3/4"	0.96	1.27	0.23	4.63								
YA34L2NT12E1			1/2	1"	0.96	1.27	0.23	4.13								
YA36L2NNT	600 kcmil	300	1/2	1-3/4"	1.12	1.38	0.27	5.43	Y644HSXT (1) Y81KFT (1) Y81KFTMBH (1) PAT81KFT (1)	—	—	U36RT (2)	Green	472	1-3/4	
YA39L2NT38	750 kcmil	—	3/8	1"	1.63	1.42	0.27	4.34	Y644HSXT (1) Y81KFT (2) Y81KFTMBH (2) PAT81KFT (2)	—	—	U39RT (2)	Black	24	1-1/2	
YA39L2NT38E16			3/8	1-3/4"	1.30	1.42	0.27	5.11								
YA39L2NT12E1			1/2	1"	1.30	1.42	0.27	4.42								
YA44L2NTC12E24	1000 kcmil	—	1/2	1.85	1.63	1.65	0.33	5.65	Y644HSXT (1) Y81KFT (2) Y81KFTMBH (2) PAT81KFT (2)	—	—	P44RT (3)	White	27	1-15/16	

* Use PUADP-1 adapter with U dies in Y46 HYPRESS™
** Y122CMR tool #10-#2 AWG Wire only

*** The MM² conductor sizes listed are the recommendations for Class 2 conductor.

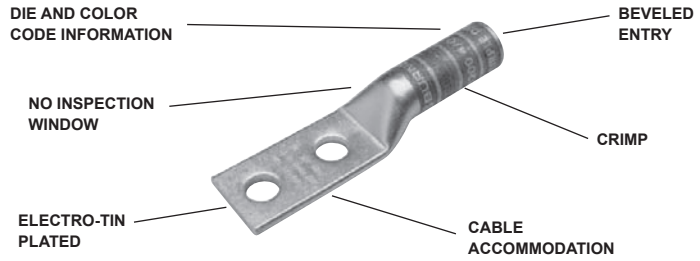
Note: All dimensions shown are for reference only.

**TWO HOLE HYLUG™
CODE CONDUCTOR LONG
BARREL**

TYPES YA-2N, YA-2TC, YA-4N

UL Listed 90° C, Up to 35 kV ♦

45° and 90° angles are available.
Please contact Customer Service to order:
1-800-346-4175



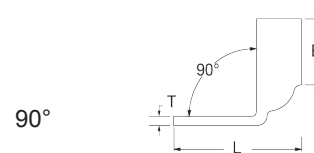
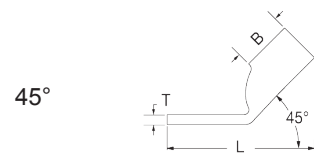
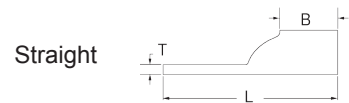
C-33



NOTE: Field bending straight lugs to achieve an angular connection will void UL Listing / CSA Certifications and BURNDY will not be liable for the connection.

Features & Benefits

- No inspection window is ideal for more corrosive environments as the barrel transition is not open
- Barrel is designed with an internal chamfer at the wire entry to ensure smooth insertion of the wire, preventing possible damaging of the wire strands during insertion
- Long barrel allows for an increased number of crimps which will increase the mechanical strength of the connection
- Two hole tongue/tang is recommended when space permits as the 2-hole feature minimizes the terminations from loosening or rotating under vibration, movement, or heat cycling
- 45° and 90° angular lugs are available, please contact Customer Service
- Electro-tin plated unless otherwise specified to reduce galvanic corrosion (bimetallic) and resist corrosive elements
- Connectors are clearly marked with stamping and barrel color coding



Compression Connections

BURNDY®

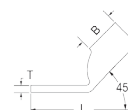
Copper Compression — Code — Long Barrel — No Inspection Window

TWO HOLE HYLUG™ CODE CONDUCTOR LONG BARREL

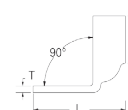
(Continued)



Straight



45°



90°

C-34

UL Listed 90° C, Up to 35 kV ♦



NOTE: Field bending straight lugs to achieve an angular connection will void UL Listing / CSA Certifications and BURNDY will not be liable for the connection.

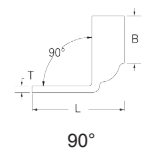
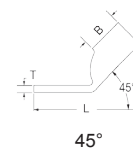
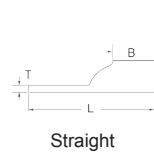
Catalog Number	Conductor		Stud Hole Size	Stud Hole Spacing	Tongue Width	Figure Dimensions			Installation Tooling					Wire Strip Length									
	AWG	MM ² ***				(B)	(T)	(L)	Dieless (# of crimps)	Mech.	Hydraulic		Color Code		Die Index								
										MD6, OUR840, MD7-34R	BCT500, Y500CT	Y35, Y39, Y750 Y46*, PAT750											
YA8C2TC14	#8 AWG #8 Flex G,H,I,K,M DLO 37/24	† 10	1/4	5/8"	0.44	0.81	0.08	2.33	Y8MRB-1 (2), Y1MRTC, MY293 (2), MY2911 (2), MRC840 (2), Y / PAT81KFT (1)	W8CVT (2) W8CRT (2) X8CRT (2)	W8CVT (2) W8CRT (2) X8CRT (2)	U8CRT (2)	Red	49	7/8								
YA8C2TC14E2			1/4	3/4"	0.44	0.81	0.08	2.45															
YA8C2TC38			3/8	1"	0.58	0.81	0.06	2.89															
YA6C2TC14	#6 AWG Sol □ / Str	—	1/4	5/8"	0.45	1.12	0.08	2.65	Y1MRTC (2), MY293 (2), MY29-11 (2), MRC840 (2), Y / PAT81KFT (1)	W5CVT (2) W5CRT (2) X5CRT (2) X8CART (2)	W5CVT (2) W5CRT (2) X5CRT (2) X8CART (2)	U5CRT (2) U8CABT (2)	Blue	7 or 374	1-3/16								
YA6C2TC14E2			1/4	3/4"	0.45	1.12	0.08	2.78															
YA6C2TC14E1			1/4	1"	0.45	1.12	0.08	3.03															
YA6C2TC38E2			3/8	3/4"	0.58	1.12	0.06	2.97															
YA6C2TC38E6			3/8	7/8"	0.58	1.12	0.06	3.09															
YA6C2TC38			3/8	1"	0.58	1.12	0.06	3.22															
YA6C2N			1/2	1-3/4"	0.83	1.12	0.12	4.40															
YA5C2N	#5 AWG	—	1/2	1-3/4"	0.83	1.12	0.12	4.43	MY293 (2), MY2911 (2), MRC840 (2), Y644 (1), Y / PAT81KFT (1)	W5CVT (2) W5CRT (2) X5CRT (2)	W5CVT (2) W5CRT (2) X5CRT (2)	U5CRT (2)	Blue	7 or 374	1-3/16								
YA4C2TC14	#4 AWG	—	1/4	5/8"	0.50	1.12	0.09	2.70	Y1MRTC (4), MY293 (2), MY2911 (2), MRC840 (2), Y644 (1), Y / PAT81KFT (1)	W4CVT (2) W4CRT (2) X4CRT (2)	W4CVT (2) W4CRT (2) X4CRT (2)	U4CRT (2) U6CABT (2)	Gray	8 or 346	1-3/16								
YA4C2TC14E2			1/4	3/4"	0.50	1.12	0.09	2.83															
YA4C2TC38			3/8	1"	0.58	1.12	0.08	3.26															
YA4C2N			1/2	1-3/4"	0.83	1.12	0.12	4.45															
YA3C2TC14	#3 Str. #3 AWG #2 Sol.	25	1/4	5/8"	0.55	1.25	0.09	2.87	Y1MRTC (4), MY293 (2), MRC840 (2), Y644 (1), Y / PAT81KFT (1)	W3CRT (2)	W3CRT (2)	U3CRT (2)	White	9	1-5/16								
YA3C2TC14E2			1/4	3/4"	0.55	1.25	0.09	2.99															
YA3C2TC38E2			3/8	3/4"	0.58	1.25	0.08	3.18															
YA3C2TC38			3/8	1"	0.58	1.25	0.08	3.43															
YA3C2N	1/2	1-3/4"	0.83	1.25	0.12	4.62																	
YA2C2TC14	#2 AWG	35	1/4	5/8"	0.60	1.25	0.11	2.86	Y122CMR** (4) Y1MRTC (4), MY293 (2), MY2911 (2), MRC840 (2), Y644 (1), Y / PAT81KFT (2)	W2CVT (2) W2CRT (2) X2CRT (2)	W2CVT (2) W2CRT (2) X2CRT (2)	U2CRT (2)	Brown	10	1-5/16								
YA2C2TC14E2			1/4	3/4"	0.60	1.25	0.11	2.98															
YA2C2TC516E2			5/16	3/4"	0.60	1.25	0.11	3.05															
YA2C2TC38E2			3/8	3/4"	0.60	1.25	0.11	3.17															
YA2C2TC38E6			3/8	7/8"	0.60	1.25	0.11	3.30															
YA2C2TC38			3/8	1"	0.60	1.25	0.11	3.42															
YA2C2NTC38			3/8	1-3/4"	0.60	1.25	0.11	4.17															
YA2C2N			1/2	1-3/4"	0.83	1.25	0.12	4.64															
YA1C2TC14			#1 AWG	50	1/4	5/8"	0.67	1.38								0.10	3.03	W1CVT (2) W1CRT1 (2) X1CRT1 (2)	W1CVT (2) W1CRT1 (2) X1CRT1 (2)	U1CRT1 (2) U4CABT (2)	Green	11 or 375	1-7/16
YA1C2TC14E2					1/4	3/4"	0.67	1.38								0.10	3.15						
YA1C2TC38	3/8	1"			0.67	1.38	0.10	3.59															
YA1C2N	1/2	1-3/4"			0.83	1.38	0.12	4.82															

▲ See tooling section of this catalog for complete tool and die listings
 * Use PUADP-1 adaptor with U dies in Y46 HYPRESS™
 ** Y122CMR tool #10-#2 AWG Wire only

*** The MM² conductor sizes listed are the recommendations for Class 2 conductor
 † The MM² conductor size listed here is for Class 2 and Class 5 conductor
 □ Y644 / PAT644 tooling not for use on 6 AWG Sol.

Available undrilled. Add suffix U to catalog number (example: YA25U)
 ♦ For applications greater than 2000 Volts consult cable manufacturer for voltage stress relief instructions
 Note: All dimensions shown are for reference only

**TWO HOLE HYLUG™
CODE CONDUCTOR
LONG BARREL
(Continued)**



UL Listed 90° C, Up to 35 kV ♦



NOTE: Field bending straight lugs to achieve an angular connection will void UL Listing / CSA Certifications and BURNDY will not be liable for the connection.

C-35

Catalog Number	Conductor		Stud Hole Size	Stud Hole Spacing	Tongue Width	Figure Dimensions			Dieless (# of crimps)	Installation Tooling				Wire Strip Length					
	AWG	MM² ***				(B)	(T)	(L)		Mech. MD6, OUR840, MD7-34R	Hydraulic		Color Code		Die Index				
											BCT500, Y500CT	Y35, Y39, Y750 Y46*, PAT750							
YA252TC14	1/0 AWG	—	1/4	5/8"	0.75	1.38	0.12	3.05	MY293 (2), MY2911 (2), MRC840 (4), Y644 (1), Y / PAT81KFT (2)	W25VT (4) W25RT (4) X25RT (4)	W25VT (4) W25RT (4) X25RT (4)	U25RT (2) U2CABT (2)	Pink	12	1-7/16				
YA252TC14E2			1/4	3/4"	0.75	1.38	0.12	3.18											
YA252TC516			5/16	1"	0.75	1.38	0.12	3.49											
YA252TC38			3/8	1"	0.75	1.38	0.12	3.62											
YA252NTC38			3/8	1-3/4"	0.75	1.38	0.12	4.37											
YA252N	1/2	1-3/4"	0.83	1.38	0.11	4.81													
YA262TC14	2/0 AWG	70	1/4	5/8"	0.83	1.50	0.12	3.22		MY293 (2), MY2911 (2), MRC840 (4), Y644 (1), Y / PAT81KFT (2)	W26VT (4) W26RT (4) X26RT (4)	W26VT (4) W26RT (4) X26RT (4)	U26RT (2)	Black	13	1-9/16			
YA262TC14E2			1/4	3/4"	0.83	1.50	0.12	3.34											
YA262TC38			3/8	1"	0.83	1.50	0.12	3.78											
YA262N			1/2	1-3/4"	0.83	1.50	0.12	4.97											
YA272TC14E2	3/0 AWG	—	1/4	3/4"	0.90	1.50	0.12	3.38	MY293 (2), MY2911 (2), MRC840 (4), Y644 (1), Y / PAT81KFT (2)		W27VT (4) W27RT (4) X27RT (6)	W27VT (4) W27RT (4) X27RT (6)	U27RT (2)	Orange	14	1-9/16			
YA272TC38			3/8	1"	0.90	1.50	0.12	3.82											
YA272N			1/2	1-3/4"	0.91	1.50	0.13	5.01											
YA282TC14E2	4/0 AWG	—	1/4	3/4"	1.02	1.62	0.14	3.55			MY293 (2), MY2911 (2), MRC840 (4), Y644 (1), Y / PAT81KFT (2)	W28VT (4) W28RT (4) X28RT (6)	W28VT (4) W28RT (4) X28RT (6)	U28RT (2)	Purple	15	1-11/16		
YA282TC38			3/8	1"	1.02	1.62	0.14	3.99											
YA282NTC38			3/8	1-3/4"	1.02	1.62	0.14	4.74											
YA282N			1/2	1-3/4"	1.02	1.62	0.14	5.17											
YA292TC38	250 kcmil	—	3/8	1"	1.10	1.62	0.16	4.02		MY293 (2), MY2911 (2), MRC840 (4), Y644 (1), Y / PAT81KFT (2)		W29VT (4) X29RT (8)	W29VT (4) W29RT (4)	U29RT (2)	Yellow	16	1-11/16		
YA292N			1/2	1-3/4"	1.11	1.62	0.16	5.21											
YA292TC58E16			5/8	1.75	1.11	1.62	0.16	5.27											
YA302TC38	300 kcmil	150	3/8	1"	1.20	2.00	0.16	4.45	MY293 (2), MY2911 (2), MRC840 (4), Y644 (1), Y / PAT81KFT (2)			W30VT (4)	W30VT (4) W30RT (4)	U30RT (4) U28ART (4)	White	17 or 298	2-1/16		
YA302N			1/2	1-3/4"	1.20	2.00	0.16	5.64											
YA312TC14E2	350 kcmil	185	1/4	3/4"	1.29	2.00	0.18	4.05				MY293 (2), MY2911 (2), MRC840 (4), Y644 (1), Y / PAT81KFT (2)	W31VT (4)	W31VT (4) W31RT (4)	U31RT (4) U29ART (4)	Red	18 or 324	2-1/16	
YA312TC38			3/8	1"	1.29	2.00	0.18	4.49											
YA312N			1/2	1-3/4"	1.29	2.00	0.18	5.69											
YA322TC38	400 kcmil	—	3/8	1"	1.40	2.12	0.19	4.66			MY293 (2), MY2911 (2), MRC840 (4), Y644 (1), Y / PAT81KFT (2)		W32VT (4)	W32VT (4) W32RT (4)	U32RT (4) U30ART (4)	Blue	19 or 470	2-3/16	
YA322N			1/2	1-3/4"	1.40	2.12	0.19	5.85											
YA332N	450 kcmil	—	1/2	1-3/4"	1.48	2.13	0.21	5.93		MY293 (2), MY2911 (2), MRC840 (4), Y644 (1), Y / PAT81KFT (2)			W33VT (4)	W33VT (4) W33RT (4)	U33RT	Gray	326 or 538	2-3/16	
YA342TC14E2	1/4	3/4"	1.55	2.25	0.23	4.46													
YA342TC38	500 kcmil	240	3/8	1"	1.55	2.25	0.23	4.90					MY293 (2), MY2911 (2), MRC840 (4), Y644 (1), Y / PAT81KFT (2)	W34VT (4)	W34VT (4) W34RT (4)	U34RT (4)	Brown	20 or 299	2-5/16
YA342N			1/2	1-3/4"	1.55	2.25	0.23	6.06											
YA352N	550 kcmil	—	1/2	1-3/4"	1.65	2.63	0.25	6.49	MY293 (2), MY2911 (2), MRC840 (4), Y644 (1), Y / PAT81KFT (2)					—	—	U35RT (4) U36RT (4) U32ART (4)	Yellow	21	2-11/16
YA362TC38	3/8	1"	1.74	2.69	0.26	5.59													
YA362N	600 kcmil	300	1/2	1-3/4"	1.74	2.69	0.27	6.59				MY293 (2), MY2911 (2), MRC840 (4), Y644 (1), Y / PAT81KFT (2)		—	—	U35RT (4) U36RT (4) U32ART (4)	Green	22 or 472	2-3/4
YA362N	1/2	1-3/4"	1.74	2.69	0.27	6.59													

▲ See tooling section of this catalog for complete tool and die listings
 * Use PUADP-1 adaptor with U dies in Y46 HYPRESS™
 ** P-RT die sets for use in Y46 HYPRESS™ only, PUADP-1 adaptor not required

*** The MM² conductor sizes listed are the recommendations for Class 2 conductor
 † The MM² conductor size listed here is for Class 2 and Class 5 conductor

Available undrilled. Add suffix U to catalog number (example: YA25U)
 ♦ For applications greater than 2000 Volts consult cable manufacturer for voltage stress relief instructions
Note: All dimensions shown are for reference only

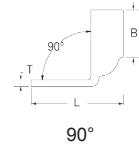
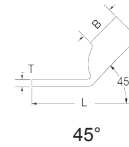
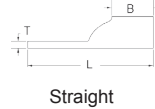
Compression Connections

BURNDY®

Copper Compression — Code — Long Barrel — No Inspection Window

TWO HOLE HYLUG™ CODE CONDUCTOR LONG BARREL

(Continued)



C-36

UL Listed 90° C, Up to 35 kV ♦



NOTE: Field bending straight lugs to achieve an angular connection will void UL Listing / CSA Certifications and BURNDY will not be liable for the connection.

Catalog Number	Conductor		Stud Hole Size	Stud Hole Spacing	Tongue Width	Figure Dimensions			Installation Tooling											
	AWG	MM ² ***				(B)	(T)	(L)	Dieless (# of crimps)	Mech. MD6, OUR840, MD7-34R	Hydraulic		Color Code	Die Index	Wire Strip Length					
											BCT500, Y500CT	Y35, Y39, Y750 Y46*, PAT750								
YA372N	650 kcmil	—	1/2	1-3/4"	1.80	2.81	0.27	6.74	Y644 (1) Y / PAT81KFT (4)	—	—	U37RT (4)	Orange	23	2-7/8					
YA382TC38	700 kcmil	—	3/8	1"	1.84	2.81	0.27	5.76				U38RT (4)	Pink	400	2-7/8					
YA382N			1/2	1-3/4"	1.84	2.81	0.27	6.77				U39RT (4) P39RT (4)	Black	24	2-15/16					
YA392NT38	3/8	1"	1.91	2.88	0.27	5.87														
YA392TC38	3/8	1"	1.63	2.88	0.27	5.87														
YA392N	1/2	1-3/4"	1.91	2.88	0.27	6.87														
YA392ENNT	750 kcmil	—	1/2	1.75	1.30	2.88	—	6.87				P40RT (4) P41D (2)** P44PR	Orange	25	3					
YA402N			800 kcmil	400	1/2	1-3/4"	1.98	2.94								0.30	6.95			
YA412N	850 kcmil	—	1/2	1-3/4"	2.01	2.94	0.31	6.96								P44RT (4)	White	27	3-1/16	
YA442TC38	1000 kcmil	500	3/8	1"	2.19	3.00	0.33	6.14												
YA442N	1000 kcmil	500	1/2	1-3/4"	2.19	3.00	0.32	7.14								P44RT (4)	White	27	3-1/16	
YA452N	1250 kcmil	—	1/2	1-3/4"	2.46	3.19	0.38	7.44												P45RT (6)
YA4532N	1300 kcmil	—	1/2	1-3/4"	2.53	3.19	0.39	7.48								—	Orange	30	3-1/4	
YA462N	1500 kcmil	—	1/2	1-3/4"	2.69	3.19	0.40	7.55								P46RT (6)	Green	31	3-1/4	
YA472N	1750 kcmil	—	1/2	1-3/4"	2.90	3.44	0.42	7.89	—	Gray	33									3-1/2
YA482N	2000 kcmil	—	1/2	1-3/4"	3.10	3.44	0.46	7.98	—	Brown	34									3-1/2

▲ See tooling section of this catalog for complete tool and die listings

* Use PUADP-1 adaptor with U dies in Y46 HYPRESS™

** P-RT die sets for use in Y46 HYPRESS™ only, PUADP-1 adaptor not required

*** The MM² conductor sizes listed are the recommendations for Class 2 conductor

† The MM² conductor size listed here is for Class 2 and Class 5 conductor

Available undrilled. Add suffix U to catalog number (example: YA25U)

♦ For applications greater than 2000 Volts consult cable manufacturer for voltage stress relief instructions

Note: All dimensions shown are for reference only

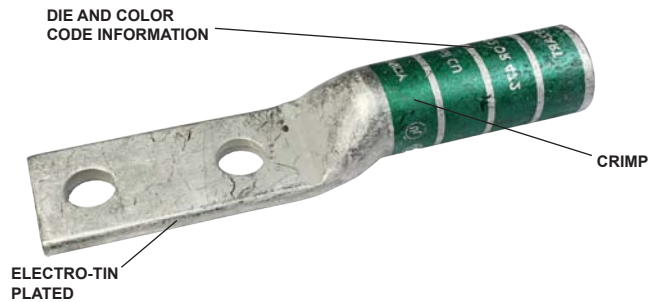
**TWO HOLE HYLUG™
CODE CONDUCTOR LONG
BARREL NARROW TONGUE**

TYPES YA-2NT

**COPPER COMPRESSION
TERMINAL**

UL Listed 90° C,
Up to 35 kV ♦

45° and 90° angles are available.
Please contact Customer Service to order:
1-800-346-4175



C-37

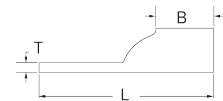


NOTE: Field bending straight lugs to achieve an angular connection will void UL Listing / CSA Certifications and BURNDY will not be liable for the connection.

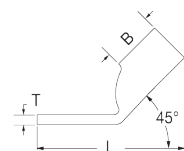
Features & Benefits

- No inspection window is ideal for more corrosive environments as the barrel transition is not open
- Narrow tongue/tang is designed for limited space applications
- Barrel is designed with an internal chamfer at the wire entry to ensure smooth insertion of the wire, preventing possible damaging of the wire strands during insertion
- Long barrel allows for an increased number of crimps which will increase the mechanical strength of the connection
- Two hole tongue/tang is recommended when space permits as the 2-hole feature minimizes the terminations from loosening or rotating under vibration, movement, or heat cycling
- 45° and 90° angular lugs are available, please contact Customer Service
- Electro-tin plated unless otherwise specified to reduce galvanic corrosion (bimetallic) and resist corrosive elements
- Connectors are clearly marked with stamping and barrel color coding

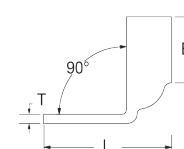
Straight



45°



90°

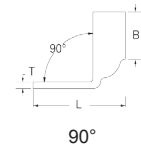
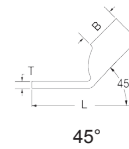
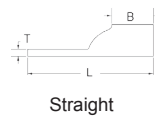


Compression Connections

BURNDY®

Copper Compression — Code — Two Hole Narrow Tongue — Long Barrel

TWO HOLE HYLUG™ CODE CONDUCTOR LONG BARREL NARROW TONGUE (Continued)



C-38

UL Listed 90° C, Up to 35 kV ♦



NOTE: Field bending straight lugs to achieve an angular connection will void UL Listing / CSA Certifications and BURNDY will not be liable for the connection.

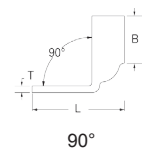
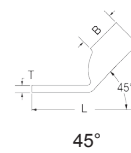
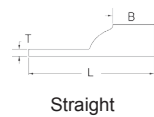
Catalog Number	Conductor		Stud Hole Size	Stud Hole Spacing	Tongue Width	Figure Dimensions			Dieless (# of crimps)	▲ Installation Tooling			Color Code	Die Index	Wire Strip Length
	AWG	*** MM ²				(B)	(T)	(L)		Mechanical		Hydraulic			
										MD6, OUR840, MD7-34R	BCT500HS, Y500CTHS	Y35, Y39 Y750, Y46* PAT750			
YA8C2NT8	#8 AWG #8 Flex G,H,I,K,M DLO 37/24	10	#8	5/8"	0.33"	0.81"	0.09"	2.14"	Y122CMR (2) Y1MRTC (2) MY29-3 (2) MY29-11 (2) MRC840 (2) Y81KFT (1) Y81KFTMBH (1) PAT81KFT-18V (1)	W8CRT (2) W8CVT (2) X8CRT (2)	W8CRT (2) W8CVT (2) X8CRT (2)	U8CRT (1)	Red	49	7/8"
YA6C2NT8	#6 AWG Sol□/Str	—	#8	5/8"	0.33"	0.81"	0.09"	2.14"	MRC840 (2) Y81KFT (1) Y81KFTMBH (1) PAT81KFT-18V (1)	W5CRT (2) W5CVT (2) X5CRT (2) X8CART (2)	W5CRT (2) W5CVT (2) X5CRT (2) X8CART (2)	U5CRT (2) U8CABT(2)	Blue	7 or 374	1-3/16"
YA4C2NT10	#4 AWG	—	#10	5/8"	0.33"	1.12"	0.09"	2.47"	Y122CMR (4) Y1MRTC (4) MY29-3 (2) MY29-11 (2) MRC840 (2) Y644HSXT (1) Y81KFT (1) Y81KFTMBH (1) PAT81KFT-18V (1)	W4CVT (2) W4CRT (2) X4CRT (2)	W4CVT (2) W4CRT (2) X4CRT (2)	U4CRT (2) U6CABT (2)	Black	8 or 346	1-3/16"
YA4C2NT14			1/4"	5/8"	0.49"	1.12"	0.09"	2.70"	Y81KFT (1) Y81KFTMBH (1) PAT81KFT-18V (1)						
YA2C2NT14	#2 AWG	35	1/4"	5/8"	0.48"	1.25"	0.11"	2.86"	Y122CMR (4) Y1MRTC (4) MY29-3 (2) MY29-11 (2) MRC840 (2) Y644HSXT (1) Y81KFT (2) Y81KFTMBH (2) PAT81KFT-18V (2)	W2CVT (2) W2CRT (2) X2CRT (2)	W2CVT (2) W2CRT (2) X2CRT (2)	U2CRT (1)	Brown	10	1-5/16"
YA2C2NT14E2			1/4"	3/4"	0.75"	1.25"	0.11"	2.99"							
YA2C2NT14E1			1/4"	1"	0.60"	1.00"	0.13"	3.26"							
YA1C2NT10	#1 AWG	50	#10	5/8"	0.50"	1.38"	0.10"	2.90"	Y1MRTC (4) MY29-3 (2) MY29-11 (2) MRC840 (2) Y644HSXT (1) Y81KFT (2) Y81KFTMBH (2) PAT81KFT-18V (2)	W1CVT (2) W1CRT1 (2) X1CRT1 (2)	W1CVT (2) W1CRT1 (2) X1CRT1 (2)	U1CRT1 (2) U4CABT (2)	Green	11 or 375	1-7/16"
YA1C2NT14			1/4"	5/8"	0.50"	1.38"	0.10"	3.03"							
YA1C2NT14E2			1/4"	3/4"	0.75"	1.38"	0.10"	3.15"							
YA1C2TC38			3/8"	1"	0.60"	1.38"	0.10"	3.59"							
YA1C2N			1/2"	1-3/4"	0.83"	1.38"	0.12"	4.82"							

* Use PUADP-1 adapter with U dies in Y46 HYPRESS™
*** The MM² conductor sizes listed are the recommendations for Class 2 conductor

▲ See tooling section of this catalog for complete tool and die listings. Use ONLY color-coded die recommendations for -FX connectors. For nest/indenter system contact factory.

♦ For applications greater than 2000 Volts consult cable manufacturer for voltage stress relief instructions.
□ Y644 / PAT644 tooling not for use on 6 AWG Sol.
Note: All dimensions shown are for reference only.

**TWO HOLE HYLUG™
CODE CONDUCTOR LONG
BARREL NARROW TONGUE
(Continued)**



UL Listed 90° C, Up to 35 kV ♦



NOTE: Field bending straight lugs to achieve an angular connection will void UL Listing / CSA Certifications and BURNDY will not be liable for the connection.

C-39

Catalog Number	Conductor		Stud Hole Size	Stud Hole Spacing	Tongue Width	Figure Dimensions			▲ Installation Tooling				Wire Strip Length		
	AWG	*** MM ²				(B)	(T)	(L)	Dieless (# of crimps)	Mechanical	Hydraulic			Color Code	Die Index
										MD6, OUR840, MD7-34R	BCT500HS, Y500CTHS	Y35, Y39 Y750, Y46*			
YA252NT14	1/0 AWG	—	1/4"	5/8"	0.48"	1.38"	0.09"	3.05"	MY29-3 (2) MY29-11 (2) MRC840 (4) Y644HSXT (1) Y81KFT (1) Y81KFTMBH (1) PAT81KFT-18V (1)	W25VT (4) W25RT (4) X25RT (4)	W25VT (4) W25RT (4) X25RT (4)	U25CRT (2) U2CABT (2)	Pink	12	1-7/16"
YA252NT14E1			1/4"	1"	0.48"	1.38"	0.09"	3.05"							
YA252NT38			3/8"	1"	0.48"	1.38"	0.09"	3.05"							
YA262NT14	2/0 AWG	70	1/4"	5/8"	0.48"	1.50"	0.12"	3.22"	MY29-3 (2) MY29-11 (2) MRC840 (4) Y644HSXT (1) Y81KFT (2) Y81KFTMBH (2) PAT81KFT-18V (2)	W26VT (4) W26RT (4) X26RT (4)	W26VT (4) W26RT (4) X26RT (4)	U26RT (2)	Black	13	1-9/16"
YA262NT14E1			1/4"	1"	0.48"	1.50"	0.12"	3.59"							
YA262NT516			5/16"	1"	0.52"	1.50"	0.13"	3.66"							
YA262NT38			3/8"	1"	0.62"	1.50"	0.13"	3.78"							
YA272NT14	3/0 AWG	—	1/4"	5/8"	0.60"	1.50"	0.13"	3.26"	MY29-3 (2) MY29-11 (2) MRC840 (4) Y644HSXT (1) Y81KFT (2) Y81KFTMBH (2) PAT81KFT-18V (2)	W27VT (4) W27RT (4) X27RT (6)	W27VT (4) W27RT (4) X27RT (6)	U27RT (2)	Orange	14	1-9/16"
YA272NT516			5/16"	1"	0.60"	1.50"	0.13"	3.70"							
YA272NT38			3/8"	1"	0.76"	1.50"	0.13"	3.82"							
YA282NT14	4/0 AWG	—	1/4"	5/8"	0.76"	1.62"	0.14"	3.42"	MY29-3 (2) MY29-11 (2) MRC840 (4) Y644HSXT (1) Y81KFT (2) Y81KFTMBH (2) PAT81KFT-18V (2)	W28VT (4) W28RT (4) X28RT (6)	W28VT (4) W28RT (4) X28RT (6)	U28RT (2)	Purple	15	1-11/16"
YA282NT516			5/16"	1"	0.76"	1.62"	0.14"	3.86"							
YA282NT38			3/8"	1"	0.76"	1.62"	0.10"	3.99"							
YA292NT14	250 kcmil	—	1/4"	5/8"	0.76"	1.62"	0.16"	3.49"	MY29-3 (2) MY29-11 (2) Y644HSXT (1) Y81KFT (2) Y81KFTMBH (2) PAT81KFT-18V (2)	W29VT (4) X29RT (8)	W29VT (4) W29RT (4) X29RT (8)	U29RT (2)	Yellow	16	1-11/16"
YA292NT516			5/16"	1"	0.76"	1.62"	0.16"	3.90"							
YA292NT38			3/8"	1"	0.76"	1.62"	0.16"	4.02"							
YA292NT38E16			3/8"	1-3/4"	0.76"	1.62"	0.16"	4.77"							
YA292NNT			1/2"	1-3/4"	0.96"	1.62"	0.16"	5.21"							
YA302NT38	300 kcmil	150	3/8"	1"	0.52"	2.00"	0.13"	3.66"	Y644HSXT (1) Y81KFT (3) Y81KFTMBH (3) PAT81KFT-18V (3)	W30VT (4)	W30VT (4) W30RT (4)	U30RT (4) U28ART (4)	White	17 or 298	2-1/16"

* Use PUADP-1 adapter with U dies in Y46 HYPRESS™

*** The MM² conductor sizes listed are the recommendations for Class 2 conductor

▲ See tooling section of this catalog for complete tool and die listings. Use ONLY color-coded die recommendations for -FX connectors. For nest/indenter system contact factory.

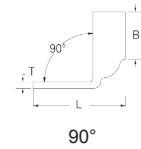
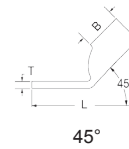
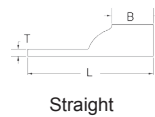
♦ For applications greater than 2000 Volts consult cable manufacturer for voltage stress relief instructions.
Note: All dimensions shown are for reference only.

Compression Connections

BURNDY®

Copper Compression — Code — Two Hole Narrow Tongue — Long Barrel

TWO HOLE HYLUG™ CODE CONDUCTOR LONG BARREL NARROW TONGUE (Continued)



C-40

UL Listed 90° C, Up to 35 kV ♦



NOTE: Field bending straight lugs to achieve an angular connection will void UL Listing / CSA Certifications and BURNDY will not be liable for the connection.

Catalog Number	Conductor		Stud Hole Size	Stud Hole Spacing	Tongue Width	Figure Dimensions			▲ Installation Tooling				Wire Strip Length		
	AWG	*** MM²				(B)	(T)	(L)	Dieless (# of crimps)	Mechanical	Hydraulic			Color Code	Die Index
										MD6, OUR840, MD7-34R	BCT500HS, Y500CTHS	Y35, Y39 Y750, Y46* PAT750			
YA312NT38	350 kcmil	185	3/8"	1"	0.96"	2.00"	0.18"	4.48"	Y644HSXT (1) Y81KFT (3) Y81KFTMBH (3) PAT81KFT-18V (3)	W31VT (4)	W31VT (4) W31RT (4)	U31RT (4) U29ART (4)	Red	18 or 324	2-1/16"
YA312NT38E16			3/8"	1-3/4"	0.96"	2.00"	0.18"	5.24"							
YA322NT38	400 kcmil	—	3/8"	1"	0.96"	2.12"	0.19"	4.66"	Y644HSXT (1) Y81KFT (3) Y81KFTMBH (3) PAT81KFT-18V (3)	W32VT (4)	W32VT (4) W32RT (4)	U32RT (4) U30ART (4)	Blue	19 or 470	2-3/16"
YA322NNT			1/2"	1-3/4"	0.96"	2.00"	0.18"	5.24"							
YA342NT38	500 kcmil	240	3/8"	1"	0.96"	2.25"	0.23"	4.90"	Y644HSXT (1) Y81KFT (4) Y81KFTMBH (4) PAT81KFT-18V (4)	W34VT (4)	W34VT (4) W34RT (4)	U34RT (4) U31ART (2)	Brown	20 or 299	2-5/16"
YA342NT38E16			3/8"	1-3/4"	0.96"	2.25"	0.23"	4.90"							
YA342NNT			1/2"	1-3/4"	0.76"	2.25"	0.23"	6.08"							
YA342NT58			5/8"	1-3/4"	1.29"	2.25"	0.23"	6.15"							
YA362NT38	600 kcmil	300	3/8"	1-3/4"	1.12"	2.69"	0.26"	6.59"	Y644HSXT (1) Y81KFT (4) Y81KFTMBH (4) PAT81KFT-18V (4)	-	-	U36RT (4) U32ART (4)	Green	22 or 472	2-3/4"
YA362NNT			1/2"	1-3/4"	1.47"	2.69"	0.27"	6.59"							
YA362NT12			1/2"	1-3/4"	1.12"	2.69"	0.26"	6.59"							
YA392NT38	750 kcmil	—	3/8"	1"	1.12"	2.88"	0.16"	5.87"	Y644HSXT (1) Y81KFT (4) Y81KFTMBH (4) PAT81KFT-18V (4)	-	-	U39RT (4) P39RT (4)	Black	24	2-15/16"
YA392NT38E16			3/8"	1-3/4"	1.12"	2.88"	0.16"	6.43"							
YA392NNT			1/2"	1-3/4"	1.63"	2.88"	0.26"	6.87"							
YA392ENNT			1/2"	1-3/4"	1.30"	2.88"	0.26"	6.87"							
YA392NT58			5/8"	1-3/4"	1.30"	2.88"	0.26"	6.93"							

* Use PUADP-1 adapter with U dies in Y46 HYPRESS™
*** The MM² conductor sizes listed are the recommendations for Class 2 conductor

▲ See tooling section of this catalog for complete tool and die listings. Use ONLY color-coded die recommendations for -FX connectors. For nest/indenter system contact factory.

♦ For applications greater than 2000 Volts consult cable manufacturer for voltage stress relief instructions.
Note: All dimensions shown are for reference only.

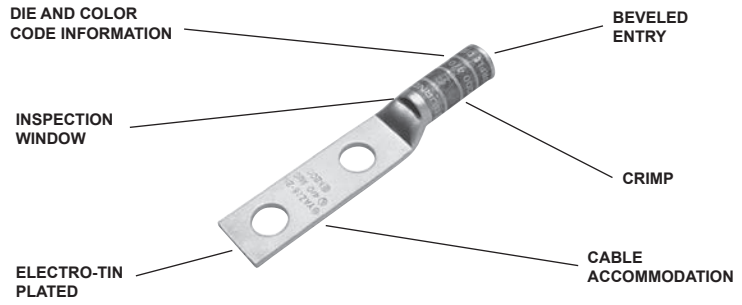
**TWO HOLE HYLUG™
CODE CONDUCTOR LONG
BARREL WITH INSPECTION
WINDOW**

TYPES YAZ-2N, YAZ-2TC

**COPPER COMPRESSION
TERMINAL**

UL Listed 90° C, Up to 35 kV ♦

45° and 90° angles are available. Please contact Customer Service to order: 1-800-346-4175



C-41

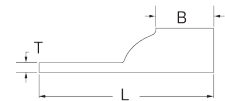


NOTE: Field bending straight lugs to achieve an angular connection will void UL Listing / CSA Certifications and BURNDY will not be liable for the connection.

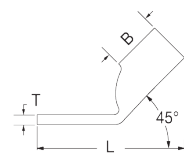
Features & Benefits

- Inspection window allows for visual verification that the wire has been fully inserted prior to crimping the lug
- Barrel is designed with an internal chamfer at the wire entry to ensure smooth insertion of the wire, preventing possible damaging of the wire strands during insertion
- Long barrel allows for an increased number of crimps which will increase the mechanical strength of the connection
- Two hole tongue/tang is recommended when space permits as the 2-hole feature minimizes the terminations from loosening or rotating under vibration, movement, or heat cycling
- 45° and 90° angular lugs are available; please contact Customer Service
- Electro-tin plated unless otherwise specified to reduce galvanic corrosion (bimetallic) and resist corrosive elements
- Connectors are clearly marked with stamping and barrel color coding

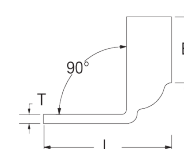
Straight



45°



90°

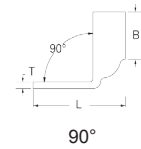
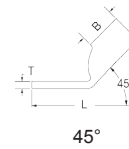
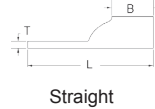


Compression Connections

BURNDY®

Copper Compression — Code — Long Barrel — Inspection Window

TWO HOLE HYLUG™ CODE CONDUCTOR LONG BARREL WITH INSPECTION WINDOW



C-42

(Continued)

UL Listed 90° C, Up to 35 kV ♦



NOTE: Field bending straight lugs to achieve an angular connection will void UL Listing / CSA Certifications and BURNDY will not be liable for the connection.

Catalog Number	Conductor		Stud Hole Size	Stud Hole Spacing	Tongue Width	Figure Dimensions			Installation Tooling					Wire Strip Length	
	AWG	MM ² ***				(B)	(T)	(L)	Dieless (# of crimps)	Mech.	Hydraulic		Color Code		Die Index
										MD6, OUR840, MD7-34R	BCT500HS, Y500CTHS	Y35, Y39, Y750, Y46, PAT750			
YAZV10-2TC14	14-10 AWG	6	1/4	5/8"	0.41	0.69	0.05	2.16	MR20 (2) Y8MRB-1 (2) Y122CMR (2)	—	—	—	—	—	3/4
YAZV10-2TC14E2			1/4	3/4"	0.41	0.69	0.05	2.28	—	—	—	—	—		
YAZ8C-2TC10	#8 AWG #8 Flex G,H,I,K,M DLO 37/24	† 10	#10	5/8"	0.41	0.75	0.08	2.07	Y122CMR (2) Y1MRTC (2) Y8MRB-1 (2) MY293 (2) MY2911 (2) MRC840 (2) Y / PAT81KFT (1)	W8CVT (2) W8CRT (2) X8CRT (2)	W8CVT (2) W8CRT (2) X8CRT (2)	U8CRT (2)	Red	49	7/8
YAZ8C-2TC10E2			#10	3/4"	0.41	0.75	0.08	2.19							
YAZ8C-2TC14			1/4	5/8"	0.44	0.75	0.08	2.19							
YAZ8C-2TC14E2			1/4	3/4"	0.44	0.75	0.08	2.32							
YAZ8C-2TC14E1			1/4	1"	0.44	0.75	0.08	2.57							
YAZ8C-2TC38			3/8	1"	0.58	0.75	0.06	2.76							
YAZ6C-2TC10E2	#6 AWG Sol. / Str	—	#10	3/4"	0.42	1.12	0.09	2.65	Y122CMR (2) MY293 (2) MY2911 (2) MRC840 (2) Y644 (1) Y1MRTC (2) Y / PAT81KFT (1)	W5CVT (2) W5CRT (2) X5CRT (2) X8CART (2)	W5CVT (2) W5CRT (2) X5CRT (2) X8CART (2)	U5CRT (2) U8CABT (2)	Blue	7 or 374	1-3/16
YAZ6C-2TC14			1/4	5/8"	0.45	1.12	0.08	2.65							
YAZ6C-2TC14E2			1/4	3/4"	0.45	1.12	0.08	2.78							
YAZ6C-2TC14E1			1/4	1"	0.45	1.12	0.08	3.03							
YAZ6C-2TC38E2			3/8	3/4"	0.58	1.12	0.06	2.97							
YAZ6C-2TC38E6			3/8	7/8"	0.58	1.12	0.06	3.09							
YAZ6C-2TC38			3/8	1"	0.58	1.12	0.06	3.22							
YAZ6C2TC38E16			3/8	1.75	0.58	1.12	0.06	3.97							
YAZ6C-2N			1/2	1-3/4"	0.83	1.12	0.12	4.40							
YAZ5C-2N			#5 AWG	—	1/2	1-3/4"	0.83	1.12							
YAZ4C-2TC10-E2	#4 AWG	—	#10	3/4"	0.50	1.12	0.09	2.67	Y122CMR (4) Y1MRTC (4) MY293 (2) MY29-1 (2) MRC840 (2) Y644 (2) Y / PAT81KFT (1)	W4CVT (2) X4CRT (2) X4CRT (2)	W4CVT (2) W4CRT (2) X4CRT (2)	U4CRT (2) U6CABT (2)	Gray	8 or 346	1-3/16
YAZ4C-2TC14			1/4	5/8"	0.50	1.12	0.09	2.67							
YAZ4C-2TC14E2			1/4	3/4"	0.50	1.12	0.09	2.80							
YAZ4C-2TC38			3/8	1"	0.58	1.12	0.08	3.23							
YAZ4C-2N			1/2	1-3/4"	0.83	1.12	0.12	4.45							

* Use PUADP-1 adapter with U dies in Y46 HYPRESS™

*** The MM² conductor sizes listed are the recommendations for Class 2 conductor

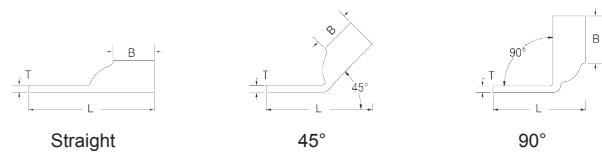
▲ See tooling section of this catalog for complete tool and die listings.

♦ For applications greater than 2000 Volts consult cable manufacturer for voltage stress relief instructions.

□ Y644 / PAT644 tooling not for use on 6 AWG Sol.

Note: All dimensions shown are for reference only.

**TWO HOLE HYLUG™
CODE CONDUCTOR LONG
BARREL WITH INSPECTION
WINDOW**



(Continued)



NOTE: Field bending straight lugs to achieve an angular connection will void UL Listing / CSA Certifications and BURNDY will not be liable for the connection.

UL Listed 90° C, Up to 35 kV ♦

Catalog Number	Conductor		Stud Hole Size	Stud Hole Spacing	Tongue Width	Figure Dimensions			Dieless (# of crimps)	Installation Tooling				Wire Strip Length										
	AWG	MM ² ***				(B)	(T)	(L)		Mech. MD6, OUR840, MD7-34R	Hydraulic		Color Code		Die Index									
											BCT500HS, Y500CTS	Y35, Y39, Y750 Y46, PAT750												
YAZ3C-2TC14	#3 AWG #2 Sol	25	1/4	5/8"	0.55	1.25	0.09	2.83	Y122CMR (4) Y1MRCT (4) MY29-3 (2) MY29-11 (2) MRC840 (2) Y644 (1) Y / PAT81KFT (2)	W3CRT (2)	W3CRT (2)	U3CRT (2)	White	9	1-5/16									
YAZ3C-2TC14E2			1/4	3/4"	0.55	1.25	0.09	2.95																
YAZ3C-2TC38E2			3/8	3/4"	0.58	1.25	0.08	3.14																
YAZ3C-2TC38			3/8	1"	0.58	1.25	0.08	3.39																
YAZ3C-2N			1/2	1-3/4"	0.83	1.25	0.12	4.62																
YAZ2C-2TC10E2	#2 AWG	35	#10	3/4"	0.60	1.25	0.11	2.85	Y1MRCT (4) MY29-3 (2) MY29-11 (2) MRC840 (2) Y644 (1) Y / PAT81KFT (2)	W2CVT (2) W2CRT (2) X2CRT (2)	W2CVT (2) W2CRT (2) X2CRT (2)	U2CRT (2)	Brown	10	1-5/16									
YAZ2C-2TC14			1/4	5/8"	0.60	1.25	0.11	2.85																
YAZ2C-2TC14E2			1/4	3/4"	0.60	1.25	0.11	2.97																
YAZ2C-2TC14E1			1/4	1"	0.60	1.25	0.11	3.22																
YAZ2C2TC516E7			5/16	.63	0.60	1.25	0.11	2.91																
YAZ2C-2TC516E2			5/16	3/4"	0.60	1.25	0.11	3.03																
YAZ2C-2TC38E2			3/8	3/4"	0.60	1.25	0.11	3.16																
YAZ2C-2TC38E6			3/8	7/8"	0.60	1.25	0.11	3.28																
YAZ2C-2TC38			3/8	1"	0.60	1.25	0.11	3.41																
YAZ2C-2NTC38			3/8	1-3/4"	0.60	1.25	0.11	4.16																
YAZ2C-2N			1/2	1-3/4"	0.83	1.25	0.12	4.64																
YAZ1C-2TC14			#1 AWG	50	1/4	5/8"	0.67	1.38								0.10	3.01	Y1MRCT (4) MY29-3 (2) MY29-11 (2) MRC840 (2) Y644 (1) Y / PAT81KFT (2)	W1CVT (2) W1CRT1 (2) X1CRT1 (2)	W1CVT (2) W1CRT1 (2) X1CRT1 (2)	U1CRT1 (2) U4CABT (2)	Green	11 or 375	1-7/16
YAZ1C-2TC14E2					1/4	3/4"	0.67	1.38								0.10	3.13							
YAZ1C-2TC38	3/8	1"			0.67	1.38	0.10	3.57																
YAZ1C-2N	1/2	1-3/4"			0.83	1.38	0.12	4.82																
YAZ25-2TC14	1/0 AWG	—	1/4	5/8"	0.75	1.38	0.12	3.04	MY29-3 (2) MY29-11 (2) MRC840 (4) Y644 (1) Y / PAT81KFT (2)	W25RT (4) W25VT (4) X25RT (4)	W25VT (4) W25RT (4) X25RT (4)	U25RT (2) U2CABT (2)	Pink	12 or 348	1-7/16									
YAZ25-2TC14E2			1/4	3/4"	0.75	1.38	0.12	3.16																
YAZ25-2TC14E1			1/4	1"	0.75	1.38	0.12	3.41																
YAZ252TC14E3			1/4	1.00	0.75	1.38	0.12	3.42																
YAZ25-2TC516E6			5/16	7/8"	0.75	1.38	0.12	3.35																
YAZ25-2TC516			5/16	1"	0.75	1.38	0.12	3.47																
YAZ25-2TC38			3/8	1"	0.75	1.38	0.12	3.60																
YAZ25-2NTC38			3/8	1-3/4"	0.75	1.38	0.12	4.35																
YAZ25-2N			1/2	1-3/4"	0.83	1.38	0.11	4.79																
YAZ26-2TC14	2/0 AWG	70	1/4	5/8"	0.83	1.50	0.12	3.20	MY29-3 (2) MY29-11 (2) MRC840 (4) Y644 (1) Y / PAT81KFT (2)	W26VT (4) W26RT (4) X26RT (4)	W26VT (4) W26RT (4) X26RT (4)	U26RT (2)	Black	13	1-9/16									
YAZ26-2TC14E2			1/4	3/4"	0.83	1.50	0.12	3.32																
YAZ262TC14E1			1/4	1.00	0.83	1.50	0.12	3.57																
YAZ26-2TC38			3/8	1"	0.83	1.50	0.12	3.76																
YAZ262TC38E16			3/8	1.75	0.83	1.50	0.12	4.51																
YAZ26-2N			1/2	1-3/4"	0.83	1.50	0.12	4.95																
YAZ27-2TC14E2	3/0 AWG	—	1/4	3/4"	0.90	1.50	0.12	3.36	MY29-3 (2) MY29-11 (2) MRC840 (4) Y644HSXT (1) Y / PAT81KFT (2)	W27VT (4) W27RT (4) X27RT (6)	W27VT (4) W27RT (4) X27RT (6)	U27RT (2)	Orange	14	1-9/16									
YAZ27-2TC38			3/8	1"	0.90	1.50	0.12	3.80																
YAZ27-2N			1/2	1-3/4"	0.91	1.50	0.12	4.98																

* Use PUADP-1 adapter with U dies in Y46 HYPRESS™

*** The MM² conductor sizes listed are the recommendations for Class 2 conductor

▲ See tooling section of this catalog for complete tool and die listings.

♦ For applications greater than 2000 Volts consult cable manufacturer for voltage stress relief instructions.

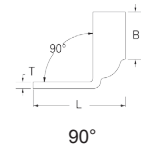
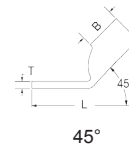
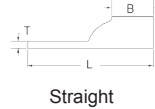
Note: All dimensions shown are for reference only.

Compression Connections

Copper Compression — Code — Long Barrel — Inspection Window

BURNDY®

TWO HOLE HYLUG™ CODE CONDUCTOR LONG BARREL WITH INSPECTION WINDOW



C-44

(Continued)

UL Listed 90° C, Up to 35 kV ♦



NOTE: Field bending straight lugs to achieve an angular connection will void UL Listing / CSA Certifications and BURNDY will not be liable for the connection.

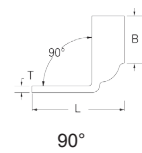
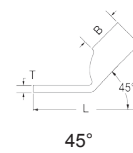
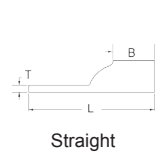
Catalog Number	Conductor		Stud Hole Size	Stud Hole Spacing	Tongue Width	Figure Dimensions			Installation Tooling				Wire Strip Length		
	AWG	MM ² ***				(B)	(T)	(L)	Dieless (# of crimps)	Mech.	Hydraulic			Color Code	Die Index
										MD6, OUR840, MD7-34R	BCT500HS, Y500CTHS	Y35, Y39, Y750 Y46, PAT750			
YAZ28-2TC14E2	4/0 AWG	—	1/4	3/4"	1.02	1.62	0.14	3.55	MY29-3 (2)	W28VT (4) W28RT (4) X28RT (6)	W28VT (4) W28RT (4) X28RT (6)	U28RT (2)	Purple	15	1-11/16
YAZ28-2TC38			3/8	1"	1.02	1.62	0.14	3.99	MY29-11 (2)						
YAZ28-2NTC38			3/8	1-3/4"	1.02	1.62	0.14	4.74	MRC840 (4)						
YAZ28-2N			1/2	1-3/4"	1.02	1.62	0.14	5.15	Y644 (1) Y / PAT81KFT (2)						
YAZ29-2TC38	250 kcmil	—	3/8	1"	1.10	1.62	0.14	3.99	MY29-3 (2)	W29VT (4) W29RT (8)	W29VT (4) W29RT (4) X29RT (8)	U29RT (2)	Yellow	16	1-11/16
YAZ29-2N			1/2	1-3/4"	1.10	1.62	0.16	5.18	MY29-11 (2) Y644HSXT (1) Y / PAT81KFT (2)						
YAZ30-2TC38	300 kcmil	150	3/8	1"	1.20	2.00	0.16	4.42	Y644HSXT (1)	W30VT (4)	W30VT (4) W30RT (4)	U30RT (4) U28ART (4)	White	17 or 298	2-1/16
YAZ30-2N			1/2	1-3/4"	1.20	2.00	0.16	5.60	Y / PAT81KFT (3)						
YAZ31-2TC14E2	350 kcmil	185	1/4	3/4"	1.29	2.00	0.18	4.02	Y644HSXT (1) Y / PAT81KFT (3)	W31VT (4)	W31VT (4) W31RT (4)	U31RT (4) U29ART (4)	Red	18 or 324	2-1/16
YAZ31-2TC38			3/8	1"	1.29	2.00	0.18	4.45							
YAZ31-2N			1/2	1-3/4"	1.29	2.00	0.18	5.64							
YAZ32-2TC38	400 kcmil	—	3/8	1"	1.40	2.12	0.19	4.62	Y644HSXT (1)	W32VT (4)	W32VT (4) W32RT (4)	U32RT (4) U30ART (4)	Blue	19 or 470	2-3/16
YAZ32-2N			1/2	1-3/4"	1.40	2.12	0.19	5.81	Y / PAT81KFT (3)						
YAZ33-2N	450 kcmil	—	1/2	1-3/4"	1.48	2.12	0.21	5.89	Y644HSXT (1) Y / PAT81KFT (4)	W33VT (4)	W33VT (4) W33RT (4)	U33RT (4)	Gray	326 or 538	2-5/16
YAZ34-2TC14E2	500 kcmil	240	1/4	3/4"	1.55	2.25	0.23	4.42	Y644HSXT (1) Y / PAT81KFT (4)	W34VT (4)	W34VT (4) W34RT (4)	U34RT (4) U31ART (4)	Brown	20 or 299	2-5/16
YAZ34-2TC38			3/8	1"	1.55	2.25	0.23	4.85							
YAZ34-2N			1/2	1-3/4"	1.55	2.25	0.23	6.04							
YAZ35-2N	550 kcmil	—	1/2	1-3/4"	1.65	2.62	0.25	6.45	Y644 (1) Y / PAT81KFT (4)	—	—	U35RT (4)	Yellow	21	2-11/16
YAZ36-2TC38	600 kcmil	300	3/8	1"	1.74	2.69	0.26	5.55	Y644 (1) Y / PAT81KFT (4)	—	—	U36RT (4) U32ART (4)	Green	22 or 472	2-3/4
YAZ36-2N			1/2	1-3/4"	1.74	2.69	0.26	6.55							
YAZ37-2N	650 kcmil	—	1/2	1-3/4"	1.80	2.81	0.27	6.70	Y644 (1) Y / PAT81KFT (4)	—	—	U37RT (4)	Orange	23	2-7/8
YAZ38-2N	700 kcmil	—	1/2	1-3/4"	1.84	2.81	0.27	6.72	Y644 (1) Y / PAT81KFT (4)	—	—	U38RT (4)	Pink	400	2-7/8
YAZ39-2NT38	750 kcmil	—	3/8	1"	1.63	2.88	0.27	5.82	Y644 (1) Y / PAT81KFT (4)	—	—	U39RT (4) P39RT (4)**	Black	24	2-15/16
YAZ39-2TC38			3/8	1"	1.91	2.88	0.27	5.82							
YAZ39-2N			1/2	1-3/4"	1.91	2.88	0.27	6.82							
YAZ39-2NNT			1/2	1-3/4"	1.63	2.88	0.27	6.82							
YAZ40-2N	800 kcmil	400	1/2	1-3/4"	1.98	2.94	0.30	6.89	Y644 (1) Y / PAT81KFT (4)	—	—	P40RT (4)**	Orange	25	3
YAZ41-2N	850 kcmil	—	1/2	1-3/4"	2.01	2.94	0.31	6.91	Y644 (1) Y / PAT81KFT (4)	—	—	—	Gold	26	3

* Use PUADP-1 adapter with U dies in Y46 HYPRESS™
** P-RT die sets for use in Y46 HYPRESS™ only; PUADP-1 adaptor not required

*** The MM² conductor sizes listed are the recommendations for Class 2 conductor
▲ See tooling section of this catalog for complete tool and die listings.

♦ For applications greater than 2000 Volts consult cable manufacturer for voltage stress relief instructions.
Note: All dimensions shown are for reference only.

**TWO HOLE HYLUG™
CODE CONDUCTOR LONG
BARREL WITH INSPECTION
WINDOW**



(Continued)

UL Listed 90° C, Up to 35 kV ♦



NOTE: Field bending straight lugs to achieve an angular connection will void UL Listing / CSA Certifications and BURNDY will not be liable for the connection.

C-45

Catalog Number	Conductor		Stud Hole Size	Stud Hole Spacing	Tongue Width	Figure Dimensions			Dieless (# of crimps)	Installation Tooling					Wire Strip Length
	AWG	MM ² ***				(B)	(T)	(L)		Mech. MD6, OUR840, MD7-34R	Hydraulic		Color Code	Die Index	
											BCT500HS, Y500CTHS	Y35, Y39, Y750 Y46, PAT750			
YAZ44-2TC38	1000 kcmil	500	3/8	1"	2.19	3.00	0.33	6.09	Y644 (1) Y / PAT81KFT (4)	—	—	P44RT (4) **	White	27	3-1/16
YAZ44-2N	1250 kcmil	—	1/2	1-3/4"	2.19	3.00	0.33	7.08							
YAZ45-2N	1300 kcmil	—	1/2	1-3/4"	2.46	3.19	0.38	7.38							
YAZ453-2N	1500 kcmil	—	1/2	1-3/4"	2.53	3.19	0.39	7.41							
YAZ46-2N	1750 kcmil	—	1/2	1-3/4"	2.69	3.19	0.40	7.48							
YAZ47-2N	2000 kcmil	—	1/2	1-3/4"	2.90	3.44	0.42	7.82							
YAZ48-2N	—	—	1/2	1-3/4"	3.10	3.44	0.46	7.89							

* Use PUADP-1 adapter with U dies in Y46 HYPRESS™
** P-RT die sets for use in Y46 HYPRESS™ only; PUADP-1 adaptor not required

*** The MM² conductor sizes listed are the recommendations for Class 2 conductor
▲ See tooling section of this catalog for complete tool and die listings.

♦ For applications greater than 2000 Volts consult cable manufacturer for voltage stress relief instructions.
Note: All dimensions shown are for reference only.

Compression Connections

BURNDY®

Copper Compression — Code — Long Barrel — No Inspection Window

FOUR HOLE HYLUG™ CODE CONDUCTOR

TYPE YA

C-46

UL Listed 90° C, Up to 35 kV ♦

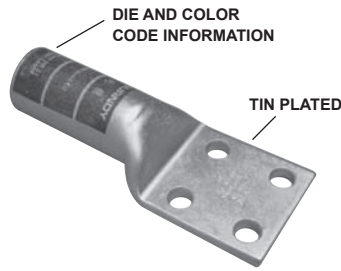
45° and 90° angles are available.

Please contact Customer Service to order:

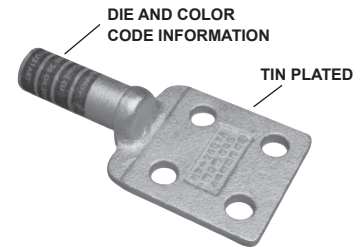
1-800-346-4175



NOTE: Field bending straight lugs to achieve an angular connection will void UL Listing / CSA Certifications and BURNDY will not be liable for the connection.

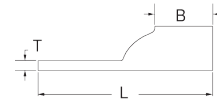


YA-4N

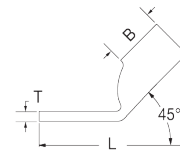


YAB-4N

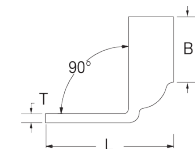
Straight



45°



90°



Features & Benefits

- No inspection window is ideal for more corrosive environments as the barrel transition is not open
- Barrel is designed with an internal chamfer at the wire entry to ensure smooth insertion of the wire, preventing possible damaging of the wire strands during insertion
- Long barrel allows for an increased number of crimps which will increase the mechanical strength of the connection
- Four hole tongue/tang is recommended when space permits as the 4-hole feature minimizes the terminations from loosening or rotating under vibration, movement, or heat cycling
- 45° and 90° angular lugs are available, please contact Customer Service
- Electro-tin plated unless otherwise specified to reduce galvanic corrosion (bimetallic) and resist corrosive elements
- Connectors are clearly marked with stamping and barrel color coding

Catalog Number	Conductor		Stud Hole Size	Stud Hole Spacing	Tongue Width	Tongue Angle	Installation Tooling						Wire Strip Length
	AWG	*** MM ²					Barrel Length	Tongue Thickness	Length (Total)	Hydraulic (Y35, Y39, Y750 Y46*)			
										* **	Color Code	Die Index	
YAB344N	500 kcmil	—	1/2	1.75"	3.00	Straight	2.25	0.25	6.33	U34RT	Brown	20	2-5/16
YAB364N	600 kcmil	—	5/8	1.75"	3.00	Straight	2.69	0.25	6.79	U36RT	Green	22	2-3/4
YAB394N	750 kcmil	—	1/2	1.75"	3.00	Straight	2.88	0.25	7.15	U39RT	Black	24	2-15/16
YA444N	1000 kcmil	500	1/2	1.75"	3.00	Straight	3.00	0.23	7.14	P44RT	White	27	3-1/16
YA454N	1250 kcmil	—	1/2	1.75"	3.00	Straight	3.19	0.30	7.44	P45RT	Yellow	29	3-1/4
YA464N	1500 kcmil	—	1/2	1.75"	3.00	Straight	3.19	0.34	7.55	P46RT	Green	31	3-1/4
YA474N	1750 kcmil	—	1/2	1.75"	2.90	Straight	3.44	0.39	7.89	‡L47RT	Gray	33	3-1/2
YA484N	2000 kcmil	—	1/2	1.75"	3.10	Straight	3.44	0.46	7.98	‡L48RT	Brown	34	3-1/2
YA4864N	2500 kcmil	—	1/2	1.75"	3.46	Straight	4.69	0.52	9.38	‡L486RT	—	—	4-3/4

* Use PUADP-1 adaptor with U dies in Y46 HYPRESS™

** P dies for use with Y46 HYPRESS™ only. PUADP-1 adaptor not required

*** The MM² conductor sizes listed are for Class 2 conductor. For applications greater than 2000 Volts, consult cable manufacturer for voltage stress relief instructions
Available undrilled. Add suffix U to catalog number (example YA444NU)

‡ Requires Y60BHU HYPRESS™

▲ Not UL Listed

Note: All dimensions shown are for reference only

Copper Wire Table									
*Terminal Designation	Barrel O.D. (IN)	Code	Flexible Nominal Wire Size / Wire Classes / Wire Class Stranding					DLO	
		Class B, C	Flex Size (Nominal)	G	H	I	K		M
**YAV10	0.21	#14 - #10 AWG	#14 - #10 AWG	—	—	26/24	104/30	259/34	27/24
**YA8C	0.27	#8 AWG	#8 AWG	49	133	41/24	168/30	420/34	37/24
YAV6C	0.31	#6 AWG	#6 AWG	49	133	63/24	266/30	655/34	61/24
YA5C	0.30	#5 AWG	#5 AWG	49	133	84/24	336/30	836/34	91/24
YAV4C	0.38	#4 AWG	#4 AWG	49	133	105/24	420/30	1064/34	105/24
YAV3C	0.42	#3 AWG	#3 AWG	49	133	133/24	532/30	1323/34	125/24
YAV2C	0.46	#2 AWG	#2 AWG	49	133	161/24	665/30	1666/34	150/24
YAV1C	0.51	#1 AWG	#1 AWG	133	259	210/24	835/30	2107/34	225/24
YAV25-FX	0.56	1/0 AWG	1/0 AWG	133	259	226/24	1064/30	2646/34	275/24
YAV26-FX	0.63	2/0 AWG	2/0 AWG	133	259	342/24	1323/30	3325/34	325/24
YAV27-FX	0.70	3/0 AWG	3/0 AWG	133	259	418/24	1666/30	4256/34	450/24
YAV28-FX	0.77	4/0 AWG	4/0 AWG	133	427	532/24	2107/30	5320/34	550/24
YAV29	0.80	250 kcmil	4/0	(4/0 AWG) 133	(4/0 AWG) 427	(4/0 AWG) 532/24	(4/0 AWG) 2107/30	(4/0 AWG) 5320/34	(4/0 AWG) 550/24
YA30-FX	0.81	250 kcmil	250 kcmil	259	427	—	—	—	—
YA31-FX	0.88	250 kcmil	250 kcmil	—	—	637/24	2499/30	6348/34	262 (650/24)
YA32-FX	0.95	300 kcmil	300 kcmil	259	427	735/24	2989/30	7581/34	313 (775/24)
YA34-FX	1.06	350 kcmil	350 kcmil	259	427	882/24	3458/30	8806/34	373 (925/24)
YA36-FX	1.19	500 kcmil	500 kcmil	259	427	—	—	—	444 (1100/24)
YA38-FX	1.25	500 kcmil 550 kcmil	500 kcmil 550 kcmil	— 427	427 703	1225/24 1372/24	5054/30 —	— —	535 (1325/24)
YA39-FX	1.30	600 kcmil	600 kcmil	427	703	1470/24	5985/30	—	1470/24
YA40-FX	1.35	650 kcmil	650 kcmil	427	—	—	—	—	646 (1600/24)
YA44-FX	1.50	750 kcmil	750 kcmil	427	703	1862	—	—	777 (1925/24)
YA46-FX	1.84	1000 kcmil	1000 kcmil	—	—	—	—	—	1111 (2750/24)

*Catalog Number with suffix "FX" denote connectors that accommodate Copper Flexible Wire

**ONE HOLE HYLUG™
FLEX CONDUCTOR
STANDARD BARREL**

C-48

**TYPES YA-L, YA-L-FX, YAV,
YAV-L-FX**

**COPPER COMPRESSION
TERMINAL**

UL Listed 90° C, Up to 35 kV ♦
45° and 90° angles are available.
Please contact Customer Service to order:
1-800-346-4175

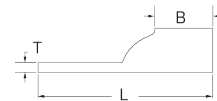


NOTE: Field bending straight lugs to achieve an angular connection will void UL Listing / CSA Certifications and BURNDY will not be liable for the connection.

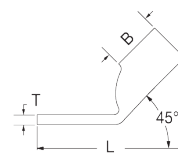
Features & Benefits

- Inspection window allows for visual verification that the wire has been fully inserted prior to crimping the lug
- Barrel is designed with an internal chamfer at the wire entry to ensure smooth insertion of the wire, preventing possible damaging of the wire strands during insertion
- Short/Standard length barrel is recommended for installations with limited space requirements
- 45° and 90° angular lugs are available; please contact Customer Service
- Electro-tin plated unless otherwise specified to reduce galvanic corrosion (bimetallic) and resist corrosive elements
- Connectors are clearly marked with stamping and barrel color coding
- Connectors accommodating wire sizes #10 - 4/0 AWG accommodate both Flex and Code Wire. See Tables on each page for specific details
- Tables in this section identify flex wire as the nominal flex wire size followed by the wire classes and DLO wire size and stranding. For Class Wire Strand counts, see the table at the beginning of this section

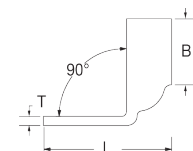
Straight



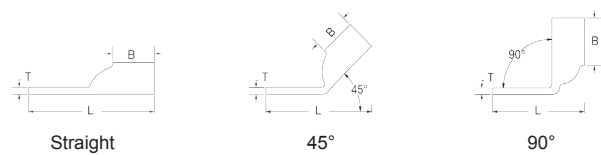
45°



90°



**ONE HOLE HYLUG™
FLEX CONDUCTOR
STANDARD BARREL**
(Continued)



UL Listed 90° C, Up to 35 kV ♦



NOTE: Field bending straight lugs to achieve an angular connection will void UL Listing / CSA Certifications and BURNDY will not be liable for the connection.

C-49

Catalog Number	Conductor		Stud Hole Size	Tongue Width	Figure Dimensions			Installation Tooling					Wire Strip Length	
	AWG/KCMIL	MM² ***			(B)	(T)	(L)	Dieless (# of crimps)	Mech.		Hydraulic	Color Code		Die Index
									MD6, OUR840, MD7-34R	BCT500HS, Y500CTHS				
YA8CL-BOX	#8 AWG G,H,I,K,M, DLO (37/24)	** 10	#8 - #10	0.41	0.44	0.08	1.16	Y122CMR (1)	W8CVT (1) W8CRT (1) X8CRT (1)	W8CVT (1) W8CRT (1) X8CRT (1)	U8CRT (1)	Red	49	7/16
YA8CL1-BOX			1/4	0.44	0.44	0.08	1.26	Y1MRTC (1)						
YA8CL2-BOX			5/16	0.52	0.44	0.06	1.38	MY29-3 (1)						
YA8CL3-BOX			3/8	0.58	0.44	0.06	1.51	MY29-11 (1) MRC840 (1)						
YA8CL4-BOX			1/2	0.71	0.44	0.05	1.76	Y4PC834(1) Y8MRB-1 (1) Y / PAT81KFT (1)						
YAV6CL-TC10-FX	#6 AWG #6 Flex G,H,I,K,M, DLO (61/24)	** 16	#10	0.48	0.50	0.08	1.30	Y122CMR (1)	W5CVT (1) W5CRT (1) X5CRT (1)	W5CVT (1) W5CRT (1) X5CRT (1)	U5CRT (1)	Blue	7	1/2
YAV6CL-TC14-FX			1/4	0.48	0.50	0.08	1.43	Y1MRTC (1)						
YAV6CL-TC516-FX			5/16	0.52	0.50	0.07	1.49	MY29-11 (1)						
YAV6CL-TC38-FX			3/8	0.58	0.50	0.06	1.61	MRC840 (1)						
YAV6CL-TC12-FX			1/2	0.75	0.50	0.12	1.86	Y / PAT644 (1) Y8MRB-1 (1) Y / PAT81KFT (1)						
YAV6CL-TC34-FX	3/4	1.04	0.50	0.09	2.66	Y / PAT81KFT (1)								
YAV4CL-TC10-FX	#4 AWG #4 Flex G,H,I,K,M, DLO (105/24)	—	#10	0.55	0.50	0.09	1.32	Y122CMR (1)	W4CVT (1) W4CRT (1) X4CRT (1)	W4CVT (1) W4CRT (1) X4CRT (1)	U4CRT (1)	Gray	8	1/2
YAV4CL-TC14-FX			1/4	0.55	0.50	0.09	1.44	MY29-11 (1)						
YAV4CL-TC516-FX			5/16	0.55	0.50	0.09	1.51	Y / PAT4PC834 (1)						
YAV4CL-TC38-FX			3/8	0.58	0.50	0.08	1.67	Y / PAT81KFT (1) Y1MRTC (2)						
YAV4CL-TC12-FX			1/2	0.71	0.50	0.07	1.92	Y / PAT644 (1)						
YAV2CL-TC10-FX	#2 AWG #2 Flex G,H,I,K,M, DLO (150/24)	35	#10	0.68	0.63	0.10	1.50	Y122CMR (1)	W2CVT (1) W2CRT (1) X2CRT (1)	W2CVT (1) W2CRT (1) X2CRT (1)	U2CRT (1)	Brown	10	11/16
YAV2CL-TC14-FX			1/4	0.68	0.63	0.10	1.62	MY29-11 (1)						
YAV2CL-TC516-FX			5/16	0.68	0.63	0.10	1.69	Y / PAT81KFT (1)						
YAV2CL-TC38-FX			3/8	0.68	0.63	0.10	1.81	Y / PAT4PC834 (1) Y1MRTC (2)						
YAV2CL-TC12-FX			1/2	0.73	0.63	0.09	2.12	Y / PAT644 (1)						
YAV1CL-TC10-FX	#1 AWG #1 Flex G,H,I,K,M, DLO (225/24)	—	#10	0.75	0.62	0.12	1.52	Y / PAT644 (1)	W1CVT (1) W1CRT (1) X1CRT (1)	W1CVT (1) W1CRT (1) X1CRT (1)	U1CRT1 (1)	Green	11	11/16
YAV1CL-TC14-FX			1/4	0.75	0.62	0.12	1.65	MY29-11 (1)						
YAV1CL-TC516-FX			5/16	0.75	0.62	0.12	1.71	Y / PAT81KFT (1)						
YAV1CL-TC38-FX			3/8	0.75	0.62	0.12	1.84	Y / PAT4PC834 (1)						
YAV1CL-TC12-FX			1/2	0.75	0.62	0.12	2.09	Y / PAT81KFT (1)						
YAV25L-TC14-FX	1/0 AWG 1/0 Flex G,H,I,K,M, DLO (275/24)	50	1/4	0.83	0.69	0.12	1.75	Y / PAT644 (1)	W25VT (2) W25RT (2) X25RT (2)	W25VT (2) W25RT (2) X25RT (2)	U25RT (1)	Pink	12	11/16
YAV25L-TC516-FX			5/16	0.83	0.69	0.12	1.81	MY29-11 (1)						
YAV25L-TC38-FX			3/8	0.83	0.69	0.12	1.94	Y / PAT81KFT (1)						
YAV25L-TC12-FX			1/2	0.83	0.69	0.12	2.19	Y / PAT4PC834 (1)						
YAV26L-TC10-FX			#10	0.93	0.81	0.13	1.80	Y / PAT644 (1)						
YAV26L-TC14-FX	1/4	0.93	0.81	0.13	1.92	MY29-11 (1)								
YAV26L-TC516-FX	5/16	0.93	0.81	0.13	1.98	Y / PAT81KFT (1)								
YAV26L-TC38-FX	3/8	0.93	0.81	0.13	2.11	Y / PAT4PC834 (1)								
YAV26L-TC12-FX	1/2	0.93	0.81	0.13	2.36	Y / PAT81KFT (1)								
YAV26L-TC58-FX	5/8	0.93	0.81	0.13	2.61	Y / PAT4PC834 (1)								
YAV26L-TC34-FX	3/4	1.10	0.81	0.11	2.89	Y / PAT4PC834 (1)								

* Use PUADP-1 adapter with U dies in Y46 HYPRESS™

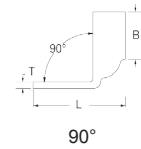
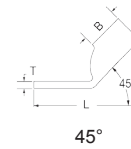
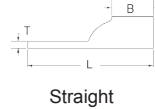
** The MM² conductor size listed is for both Class 2 and Class 5 conductors

*** The MM² conductor sizes listed are the recommendations for Class 5 conductor

▲ See tooling section of this catalog for complete tool and die listings. Use only color-coded die recommendations for -FX connectors. For nest/indenter system contact factory

♦ For applications greater than 2000 Volts consult cable manufacturer for voltage stress relief instructions
Note: All dimensions shown are for reference only

ONE HOLE HYLUG™ FLEX CONDUCTOR STANDARD BARREL (Continued)



C-50

UL Listed 90° C, Up to 35 kV ♦



NOTE: Field bending straight lugs to achieve an angular connection will void UL Listing / CSA Certifications and BURNDY will not be liable for the connection.

Catalog Number	Conductor		Stud Hole Size	Tongue Width	Figure Dimensions			Dieless (# of crimps)	Installation Tooling			Color Code	Die Index	Wire Strip Length
	AWG/KCMIL	MM ² ***			(B)	(T)	(L)		Mech.	Hydraulic				
										MD6, OUR840, MD7-34R	BCT500HS, Y500CTHS			
YAV27L-TC10-FX	3/0 AWG 3/0 Flex G,H,I,K,M, DLO (450/24)	95	#10	1.03	1.00	0.14	2.03	Y / PAT644 (1) MY29-11 (1) Y / PAT81KFT (1) Y / PAT4PC834 (1)	W27VT (2) W27RT (2) X27RT (3)	W27VT (2) W27RT (2) X27RT (3)	U27RT (1)	Orange	14	1
YAV27L-TC14-FX			1/4	1.03	1.00	0.14	2.15							
YAV27L-TC516-FX			5/16	1.03	1.00	0.14	2.21							
YAV27L-TC38-FX			3/8	1.03	1.00	0.14	2.34							
YAV27L-TC12-FX			1/2	1.03	1.00	0.14	2.59							
YAV28L-TC14-FX	4/0 AWG 4/0 Flex G,H,I,K,M, DLO (550/24)	** 120	1/4	1.14	1.03	0.15	2.23	Y / PAT644 (1) MY29-11 (1) Y / PAT81KFT (1) Y / PAT4PC834 (1)	W28VT (2) W28RT (2) X28RT (3)	W28VT (2) W28RT (2) X28RT (3)	U28RT (1)	Purple	15	1-1/16
YAV28L-TC516-FX			5/16	1.14	1.03	0.15	2.29							
YAV28L-TC38-FX			3/8	1.14	1.03	0.15	2.42							
YAV28L-TC12-FX			1/2	1.14	1.03	0.15	2.67							
YAV28L-TC58-FX			5/8	1.14	1.03	0.15	2.92							
YAV28L-TC34-FX	3/4	1.14	1.03	0.15	3.11									
YAV29L-TC14-FX	250 kcmil 4/0 Flex G,H,I,K,M, DLO (550/24)	—	1/4	1.18	1.03	0.16	2.23	Y / PAT644HSXT (1) MY29-11 (1) Y / PAT81KFT (1) Y / PAT4PC834 (1)	W29VT (2) X29RT (4)	W29VT (2) W29RT (2) X29RT (4)	U29RT (1)	Yellow	16	1-1/16
YAV29L-TC516-FX			5/16	1.18	1.03	0.16	2.30							
YAV29L-TC38-FX			3/8	1.18	1.03	0.16	2.42							
YAV29L-TC12-FX			1/2	1.18	1.03	0.16	2.67							
YAV29L-TC58-FX			5/8	1.18	1.03	0.16	2.92							
YAV29L-TC34-FX	3/4	1.18	1.03	0.16	3.11									
YA30L-TC516-FX	250 kcmil G,H	—	5/16	1.20	1.03	0.16	2.31	Y / PAT644 (1) Y / PAT81KFT (1) Y / PAT4PC834 (1)	W29VT (2) X29RT (4)	W29VT (2) W29RT (2) X29RT (4)	U29RT (1)	Yellow	16	1-1/8
YA30L-TC38-FX			3/8	1.20	1.03	0.16	2.44							
YA30L-TC12-FX			1/2	1.20	1.03	0.16	2.69							
YA30L-TC58-FX			5/8	1.20	1.03	0.16	2.94							
YA30L-TC34-FX			3/4	1.20	1.03	0.16	3.12							
YA31L-TC14-FX	250 kcmil I,K,M, DLO 262 (650/24)	150	1/4	1.29	1.06	0.18	2.31	Y / PAT644 (1) Y / PAT81KFT (1) Y / PAT4PC834 (1)	W30VT (2)	W30VT (2) W30RT (2)	U30RT (2)	White	17 or 298	1-1/8
YA31L-TC516-FX			5/16	1.29	1.06	0.18	2.37							
YA31L-TC38-FX			3/8	1.29	1.06	0.18	2.50							
YA31L-TC12-FX			1/2	1.29	1.06	0.18	2.75							
YA31L-NT12-FX			1/2	0.96	1.06	0.18	2.75							
YA31L-TC58-FX			5/8	1.29	1.06	0.18	3.00							
YA31L-TC34-FX	3/4	1.29	1.06	0.18	3.19									
YA32L-TC38-FX	300 kcmil G,H,I,K,M, DLO 313 (775/24)	185	3/8	1.40	1.19	0.19	2.68	Y / PAT644 (1) Y / PAT81KFT (1) Y / PAT4PC834 (1)	W31VT (2)	W31VT (2) W31RT (2)	U31RT (2)	Red	18 or 324	1-1/4
YA32L-TC12-FX			1/2	1.40	1.19	0.19	2.93							
YA32L-TC58-FX			5/8	1.40	1.19	0.19	3.18							
YA32L-TC100-FX			1	1.74	1.19	0.27	3.87							
YA34L-TC516-FX	350 kcmil G,H,I,K,M, DLO 373 (925/24)	240	5/16	1.55	1.27	0.23	2.74	Y / PAT644 (1) Y / PAT81KFT (1) Y / PAT4PC834 (1)	W32VT (2)	W32VT (2) W32RT (2)	U32RT (2)	Blue	19 or 470	1-5/16
YA34L-TC38-FX			3/8	1.55	1.27	0.23	2.87							
YA34L-TC12-FX			1/2	1.55	1.27	0.23	3.12							
YA34L-TC58-FX			5/8	1.55	1.27	0.23	3.37							

* Use PUADP-1 adapter with U dies in Y46 HYPRESS™

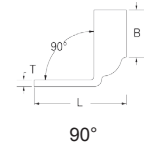
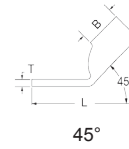
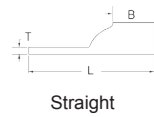
** The MM² conductor size listed is for both Class 2 and Class 5 conductors

*** The MM² conductor sizes listed are the recommendations for Class 5 conductor

▲ See tooling section of this catalog for complete tool and die listings. Use only color-coded die recommendations for -FX connectors. For nest/indenter system contact factory

♦ For applications greater than 2000 Volts consult cable manufacturer for voltage stress relief instructions
Note: All dimensions shown are for reference only

**ONE HOLE HYLUG™
FLEX CONDUCTOR
STANDARD BARREL
(Continued)**



UL Listed 90° C, Up to 35 kV ♦



NOTE: Field bending straight lugs to achieve an angular connection will void UL Listing / CSA Certifications and BURNDY will not be liable for the connection.

C-51

Catalog Number	Conductor		Stud Hole Size	Tongue Width	Figure Dimensions			Installation Tooling					Wire Strip Length	
	AWG/KCMIL	MM² ***			(B)	(T)	(L)	Dieless (# of crimps)	Mech.	Hydraulic		Color Code		Die Index
									MD6, OUR840, MD7-34R	BCT500HS, Y500CTHS	Y35, Y39, Y750 Y46*, PAT750			
YA36L-TC12-FX	500 kcmil G,H DLO 444 (110/24)	—	1/2	1.74	1.38	0.27	3.29	Y / PAT644 (1) Y / PAT81KFT (2) Y / PAT4PC834 (2)	—	—	U34RT (2)	Brown	20 or 299	1-3/8
YA36L-TC58-FX			5/8	1.74	1.38	0.27	3.54							
YA38L-TC516-FX	500 kcmil H,I,K 550 kcmil G,H,I DLO 535 (325/24)	300	5/16	1.84	1.45	0.27	3.03	Y / PAT644 (1) Y / PAT81KFT (2) Y / PAT4PC834 (3)	—	—	U38XRT (2)	Pink	L99	1-7/16
YA38L-TC38-FX			3/8	1.84	1.45	0.27	3.34							
YA38L-TC12-FX			1/2	1.84	1.45	0.27	3.41							
YA38L-TC58-FX			5/8	1.84	1.45	0.27	3.66							
YA40L-TC516-FX	650 kcmil G, DLO 646 (1600/24)	400	5/16	1.98	1.42	0.30	3.05	Y / PAT644 (1) Y / PAT81KFT (2) Y / PAT4PC834 (3)	—	—	U39RT (2)	Black	24	1-5/16
YA40L-TC38-FX			3/8	1.98	1.42	0.30	3.38							
YA40L-TC12-FX			1/2	1.98	1.42	0.30	3.43							
YA40L-TC58-FX			5/8	1.98	1.42	0.30	3.68							
YA44L-TC12-FX	750 kcmil G,H,I DLO 777 (1925/24)	500	1/2	2.19	1.65	0.33	3.79	Y / PAT644 (1) Y / PAT81KFT (2) Y / PAT4PC834 (3)	—	—	U44XRT (2) •P44XRT (2)	Yellow	L115	1-5/8
YA44L-TC58-FX			5/8	2.19	1.65	0.33	4.04							

* Use PUADP-1 adapter with U dies in Y46 HYPRESS™
 • P-RT dies for Y / PAT46 Tooling only
 ** The MM² conductor size listed is for both Class 2 and Class 5 conductors
 *** The MM² conductor sizes listed are the recommendations for Class 5 conductor

▲ See tooling section of this catalog for complete tool and die listings. Use only color-coded die recommendations for -FX connectors. For nest/indenter system contact factory

♦ For applications greater than 2000 Volts consult cable manufacturer for voltage stress relief instructions
Note: All dimensions shown are for reference only

ONE HOLE HYLUG™ FLEX CONDUCTOR STANDARD BARREL NARROW TONGUE

C-52

TYPE YAV-L-NTFX

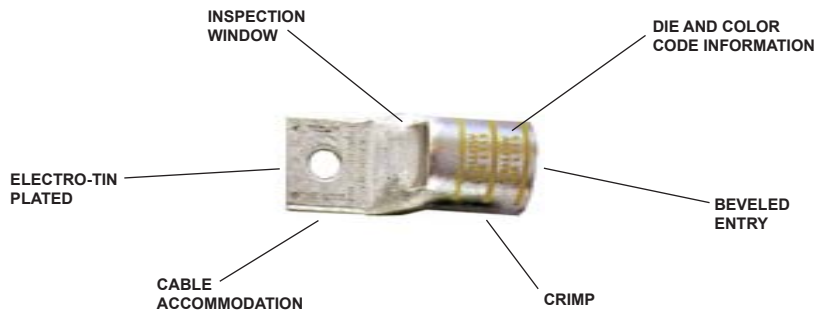
COPPER COMPRESSION NARROW TONGUE TERMINAL

UL Listed 90° C, Up to 35 kV ♦

45° and 90° angles are available.

Please contact Customer Service to order:

1-800-346-4175



NOTE: Field bending straight lugs to achieve an angular connection will void UL Listing / CSA Certifications and BURNDY will not be liable for the connection.

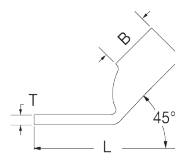
Features & Benefits

- Inspection window allows for visual verification that the wire has been fully inserted prior to crimping the lug
- Narrow tongue/tang is designed to allow for parallel terminations of wire in limited space applications
- Barrel is designed with an internal chamfer at the wire entry to ensure smooth insertion of the wire, preventing possible damaging of the wire strands during insertion
- Short/Standard length barrel is recommended for installations with limited space requirements
- 45° and 90° angular lugs are available; please contact Customer Service
- Electro-tin plated unless otherwise specified to reduce galvanic corrosion (bimetallic) and resist corrosive elements
- Connectors are clearly marked with stamping and barrel color coding
- Connectors accommodating wire sizes #10 - 4/0 AWG accommodate both Flex and Code Wire. See Tables on each page for specific details
- Tables in this section identify flex wire as the nominal flex wire size followed by the wire classes and DLO wire size and stranding. For Class Wire Strand counts, see the table at the beginning of this section

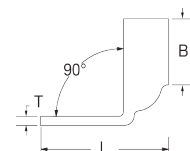
Straight



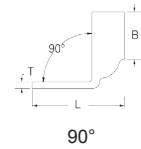
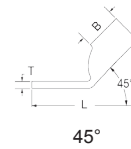
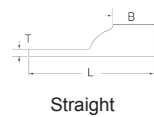
45°



90°



**ONE HOLE HYLUG™
FLEX CONDUCTOR
STANDARD BARREL
NARROW TONGUE**
(Continued)



UL Listed 90° C, Up to 35 kV ♦



NOTE: Field bending straight lugs to achieve an angular connection will void UL Listing / CSA Certifications and BURNDY will not be liable for the connection.

C-53

Catalog Number	Conductor		Stud Hole Size	Tongue Width	Figure Dimensions			Installation Tooling					Wire Strip Length	
	AWG/ KCMIL	MM² ***			(B)	(T)	(L)	Dieless (# of crimps)	Mech.	Hydraulic		Color Code		Die Index
									MD6, OUR840, MD7-34R	BCT500HS, Y500CTHS	Y35, Y39, Y750 Y46*, PAT750			
YAV4CLNT10FX	#4 AWG #4 Flex G,H,I,K,M, DLO (105/24)	—	#10	0.41	0.50	0.09	1.32	Y122CMR (2) MY29-11 (1) Y1MRTC (2) Y / PAT81KFT (1) Y / PAT644 (1)	W4CRT (1) W4CVT (1) X4CRT (1)	W4CRT (1) W4CVT (1) X4CRT (1)	U4CRT (1)	Gray	8	1/2
YAV2CLNT14FX	#2 AWG #2 Flex G,H,I,K,M, DLO (150/24)	35	1/4	0.46	0.63	0.10	1.71	Y122CMR (2) MY29-11 (1) Y1MRTC (2) Y / PAT81KFT (1) Y / PAT644 (1)	W2CRT (1) W2CVT (1) X2CRT (1)	W2CVT (1) W2CRT (1) X2CRT (1)	U2CRT (1)	Brown	10	11/16
YAV2CLNT516FX			5/16	0.44	0.63	0.10	1.78							
YAV25LNT14FX	1/0 AWG 1/0 Flex G,H,I,K,M, DLO (275/24)	50	1/4	0.67	0.69	0.12	1.75	MY29-11 (1) Y / PAT644 (1) Y / PAT81KFT (1)	W25VT (2) W25RT (2) X25RT (2)	W25VT (2) W25RT (2) X25RT (2)	U25RT (1)	Pink	12	11/16
YAV25LNT516FX			5/16	0.67	0.69	0.12	1.81							
YAV25LNT38FX			3/8	0.76	0.69	0.13	1.94							
YAV26LNT516FX	2/0 AWG 2/0 Flex G,H,I,K,M, DLO (325/24)	70	5/16	0.90	0.81	0.13	1.98	MY29-11 (1) Y / PAT644 (1) Y / PAT81KFT (1)	W26VT (2) W26RT (2) X26RT (2)	W26VT (2) W26RT (2) X26RT (2)	U26RT (1)	Black	13	13/16
YAV26LNT38FX			3/8	0.90	0.81	0.13	2.11							
YAV26LNT12FX			1/2	0.87	0.81	0.13	2.36							
YAV27LNT12FX	3/0 AWG 3/0 Flex G,H,I,K,M, DLO (450/24)	95	1/2	0.76	1.00	0.14	2.59	MY29-11 (1) Y / PAT644 (1) Y / PAT81KFT (2) Y / PAT4PC834 (1)	W27VT (2) W27RT (2) X27RT (3)	W27VT (2) W27RT (2) X27RT (3)	U27RT (1)	Orange	14	1-1/16
YAV28LNT516FX	4/0 AWG 4/0 Flex G,H,I,K,M, DLO (550/24)	—	5/16	0.94	1.03	0.15	2.29	MY29-11 (1) Y / PAT644 (1) Y / PAT81KFT (1)	W28VT (2) W28RT (2) X28RT (3)	W28VT (2) W28RT (2) X28RT (3)	U28RT (1)	Purple	15	1-1/16
YAV28LNT38FX			3/8	0.94	1.03	0.15	2.42							
YAV28LNT12FX			1/2	0.76	1.03	0.15	2.67							
YA30LNT516FX	250 kcmil G,H	—	5/16	0.96	1.03	0.15	2.48	Y / PAT644 (1) Y / PAT81KFT (2)	W30VT (4)	—	U30RT (2)	White	17	1-1/8
YA31L-NT12-FX	250 kcmil I,K,M, DLO 262 (650/24)	150	1/2	0.96	1.06	0.18	2.75	Y / PAT644 (1) Y / PAT81KFT (1) Y / PAT4PC834 (1)	W30VT (2)	W30VT (2) W30RT (2)	U30RT (2)	White	17 or 298	1-1/8
YA32LNT516FX	300 kcmil G,H,I,K,M, DLO 313 (775/24)	185	5/16	0.96	1.19	0.19	2.65	Y / PAT644 (1) Y / PAT81KFT (1)	W31VT (2)	W31VT (2) W31RT (2)	U31RT (2)	Red	18	1-1/4
YA32LNT38FX			3/8	0.96	1.19	0.19	2.68							

Consult cable manufacturers for stress relief instructions
♦ For applications greater than 2000 Volts consult cable manufacturer for voltage stress relief instructions
* Use PUADP-1 adaptor with U dies in Y46 HYPRESS™

*** The MM² conductor sizes Listed are the recommendations for CLASS 5 conductor

▲ See tooling section of this catalog for complete tool and die listings. Use ONLY color-coded die recommendations for -FX connectors
Note: All dimensions shown are for reference only.

Compression Connections

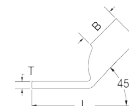
BURNDY®

Copper Compression — Flex — Standard Barrel — Narrow Tongue

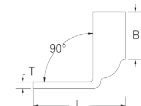
ONE HOLE HYLUG™ FLEX CONDUCTOR STANDARD BARREL NARROW TONGUE



Straight



45°



90°

C-54

(Continued)

UL Listed 90° C, Up to 35 kV ♦



NOTE: Field bending straight lugs to achieve an angular connection will void UL Listing / CSA Certifications and BURNDY will not be liable for the connection.

Catalog Number	Conductor		Stud Hole Size	Tongue Width	Figure Dimensions			Dieless (# of crimps)	Installation Tooling				Wire Strip Length	
	AWG/ KCMIL	MM² ***			(B)	(T)	(L)		Mech.	Hydraulic		Color Code		Die Index
										MD6, OUR840, MD7-34R	BCT500HS, Y500CTHS			
YA38LNT12FX	500 kcmil H,I,K	300	1/2	1.63	1.45	0.27	3.41	Y / PAT644 (1) Y / PAT81KFT (2)	—	—	U38XRT (2)	Pink	L99	1-7/16
YA38LNTM20FX	550 kcmil G,H,I DLO 525 (325/24)		M20	1.63	1.45	0.27	3.84							
YA40LENT12FX	650 kcmil G DLO 646 (1600/24)	—	1/2	1.35	1.42	0.30	3.43	Y / PAT644 (1) Y / PAT81KFT (2) Y / PAT4PC834 (3)	—	—	U39RT (2)	Black	24	1-5/16
YA44LNT38FX	750 kcmil G,H, DLO 777 (1925/24)	500	3/8	1.50	1.65	0.33	3.79	Y / PAT644 (1) Y / PAT81KFT (2)	—	—	U44XRT (2) •P44XRT (2)	Yellow	L115	1-5/8
YA44LNT12FX			1/2	1.62	1.65	0.33	3.98							

Consult cable manufacturers for stress relief instructions
♦ For applications greater than 2000 Volts consult cable manufacturer for voltage stress relief instructions

- * Use PUADP-1 adaptor with U dies in Y46 HYPRESS™
- P-RT dies for Y / PAT46 Tooling only

*** The MM² conductor sizes Listed are the recommendations for CLASS 5 conductor

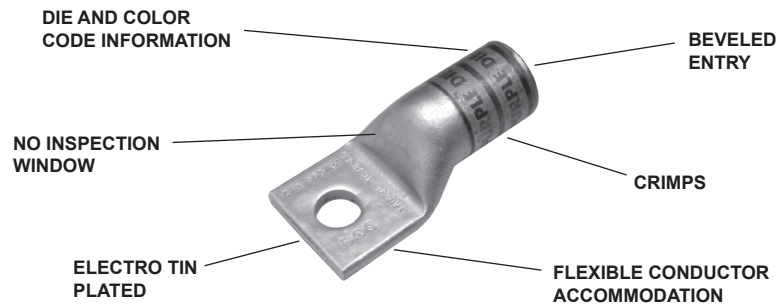
▲ See tooling section of this catalog for complete tool and die listings. Use ONLY color-coded die recommendations for -FX connectors
Note: All dimensions shown are for reference only.

**ONE HOLE HYLUG™
FLEX CONDUCTOR
STANDARD BARREL
NO INSPECTION
WINDOW**

**TYPE YAG-L-TC
COPPER COMPRESSION
TERMINAL**

UL Listed 90° C, Up to 35 kV

45° and 90° angles are available.
Please contact Customer Service to order:
1-800-346-4175



C-55

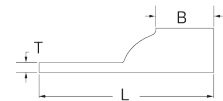


NOTE: Field bending straight lugs to achieve an angular connection will void UL Listing / CSA Certifications and BURNDY will not be liable for the connection.

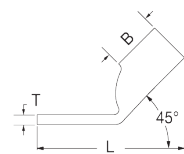
Features & Benefits

- No inspection window is ideal for more corrosive environments as the barrel transition is not open
- Barrel is designed with an internal chamfer at the wire entry to ensure smooth insertion of the wire, preventing possible damaging of the wire strands during insertion
- Long barrel allows for an increased number of crimps which will increase the mechanical strength of the connection
- 45° and 90° angular lugs are available, please contact Customer Service
- Electro-tin plated unless otherwise specified to reduce galvanic corrosion (bimetallic) and resist corrosive elements
- Connectors are clearly marked with stamping and barrel color coding
- Connectors accommodating wire sizes #10 - 4/0 AWG accommodate both Flex and Code Wire. See Tables on each page for specific details
- Tables in this section identify flex wire as the nominal flex wire size followed by the wire classes and DLO wire size and stranding. For Class Wire Strand counts, see the table at the beginning of this section

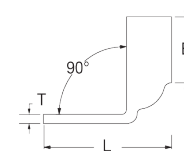
Straight



45°



90°

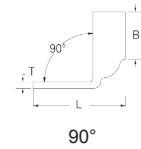
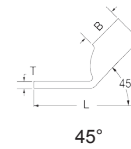
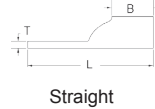


Compression Connections

BURNDY®

Copper Compression — Flex — Standard Barrel — No Inspection Window

ONE HOLE HYLUG™ FLEX CONDUCTOR STANDARD BARREL NO INSPECTION WINDOW



C-56

(Continued)

UL Listed 90° C, Up to 35 kV ♦



NOTE: Field bending straight lugs to achieve an angular connection will void UL Listing / CSA Certifications and BURNDY will not be liable for the connection.

Catalog Number	Conductor		Stud Hole Size	Tongue Width	Figure Dimensions			Dieless (# of crimps)	Installation Tooling				Wire Strip Length	
	AWG/KCMIL	MM ² ***			(B)	(T)	(L)		Mech. MD6, OUR840, MD7-34R	Hydraulic		Color Code		Die Index
										BCT500HS, Y500CTHS	Y35, Y39, Y750 Y46*, PAT750			
YAG8CLTC14FX	#8 AWG	**	1/4	0.44	0.44	0.08	1.32	MY29-11 (1) Y1MRTC (1) Y122CMR (1) Y/PAT81KFT (1)	W8CVT (1) W8CRT (1) X8CRT (1)	W8CVT (1) W8CRT (1) X8CRT (1)	U8CRT (1)	Red	49	1/2
YAG8CLTC516FX	G,H,I,K,M, DLO (37/24)		5/16	0.52	0.44	0.06	1.38							
YAG8CLTC12FX	#6 Sol #8 Sol		1/2	0.71	0.44	0.05	1.76							
YAG6CLTC14FX	#6 AWG	**	1/4	0.48	0.50	0.08	1.43	MY29-11 (1) Y1MRTC (1) Y122CMR (1) Y/PAT81KFT (1)	W5CVT (1) W5CRT (1) X5CRT (1)	W5CVT (1) W5CRT (1) X5CRT (1)	U5CRT (1)	Blue	7	1/2
YAG6CLTC516FX	#6 Flex		5/16	0.52	0.50	0.07	1.49							
YAG6CLTC38FX	G,H,I,K,M, DLO (61/24)		3/8	0.58	0.50	0.06	1.61							
YAG6CLTC12FX			1/2	0.75	0.50	0.12	1.86							
YAG4CLTC14FX	#4 AWG	—	1/4	0.55	0.50	0.09	1.48	MY29-11 (1) Y1MRTC (2) Y122CMR (2) Y/PAT81KFT (1) Y/PAT644 (1)	W4CVT (1) W4CRT (1) X4CRT (1)	W4CVT (1) W4CRT (1) X4CRT (1)	U4CRT (1)	Gray	8	1/2
YAG4CLTC516FX	#4 Flex		5/16	0.55	0.50	0.09	1.55							
YAG4CLTC38FX	G,H,I,K,M, DLO (105/24)		3/8	0.58	0.50	0.08	1.67							
YAG4CLTC12FX			1/2	0.71	0.50	0.07	1.92							
YAG2CLTC14FX	#2 AWG	35	1/4	0.68	0.63	0.10	1.64	MY29-11 (1) Y1MRTC (2) Y122CMR (2) Y/PAT81KFT (1) Y/PAT644 (1)	W2CVT (1) W2CRT (1) X2CRT (1)	W2CVT (1) W2CRT (1) X2CRT (1)	U2CRT (1)	Brown	10	11/16
YAG2CLTC516FX	#2 Flex		5/16	0.68	0.63	0.10	1.70							
YAG2CLTC38FX	G,H,I,K,M, DLO (150/24)		3/8	0.68	0.63	0.10	1.83							
YAG2CLTC12FX			1/2	0.73	0.63	0.09	2.12							
YAG1CLTC14FX	#1 AWG	—	1/4	0.75	0.62	0.12	1.67	MY29-11(1) Y/PAT644 (1) Y/PAT81KFT (1)	W1CVT (1) W1CRT1 (1) X1CRT1 (1)	W1CVT (1) W1CRT1 (1) X1CRT1 (1)	U1CRT1 (1)	Green	11	11/16
YAG1CLTC516FX	#1 Flex		5/16	0.75	0.62	0.12	1.73							
YAG1CLTC38FX	G,H,I,K,M, DLO (225/24)		3/8	0.75	0.62	0.12	1.86							
YAG1CLTC12FX			1/2	0.75	0.62	0.12	2.11							
YAG25LTC14FX	1/0 AWG	50	1/4	0.83	0.69	0.12	1.77	MY29-11(1) Y/PAT644 (1) Y/PAT81KFT (1)	W25CVT (2) W25CRT (2) X25CRT (2)	W25VT (2) W25RT (2) X25RT (2)	U25RT (1)	Pink	12	11/16
YAG25LTC516FX	1/0 Flex		5/16	0.83	0.69	0.12	1.84							
YAG25LTC38FX	G,H,I,K,M, DLO (275/24)		3/8	0.83	0.69	0.12	1.96							
YAG25LTC12FX			1/2	0.83	0.69	0.12	2.21							
YAG26LTC14FX	2/0 AWG	70	1/4	0.93	0.81	0.13	1.95	MY29-11 (1) Y/PAT644 (1) Y/PAT81KFT (1)	W26VT (2) W26RT (2) X26RT (2)	W26VT (2) W26RT (2) X26RT (2)	U26RT (1)	Black	13	13/16
YAG26LTC516FX	2/0 Flex		5/16	0.93	0.81	0.13	2.01							
YAG26LTC38FX	G,H,I,K,M, DLO (325/24)		3/8	0.93	0.81	0.13	2.13							
YAG26LTC12FX			1/2	0.93	0.81	0.13	2.38							
YAG27LTC14FX	3/0 AWG	95	1/4	1.03	1.00	0.14	2.18	MY29-11(1) Y/PAT644 (1) Y/PAT81KFT (1)	W27VT (2) W27RT (2) X27RT (3)	W27VT (2) W27RT (2) X27RT (3)	U27RT (1)	Orange	14	1
YAG27LTC516FX	3/0 Flex		5/16	1.03	1.00	0.14	2.24							
YAG27LTC38FX	G,H,I,K,M, DLO (450/24)		3/8	1.03	1.00	0.14	2.37							
YAG27LTC12FX			1/2	1.03	1.00	0.14	2.62							
YAG28LTC14FX	4/0 AWG	120	1/4	1.14	1.03	0.15	2.26	MY29-11(1) Y/PAT644 (1) Y/PAT81KFT (1)	W28VT (2) W28RT (2) X28RT (3)	W28VT (2) W28RT (2) X28RT (3)	U28RT (1)	Purple	15	1-1/16
YAG28LTC516FX	4/0 Flex		5/16	1.14	1.03	0.15	2.32							
YAG28LTC38FX	G,H,I,K,M, DLO (550/24)		3/8	1.14	1.03	0.15	2.45							
YAG28LTC12FX			1/2	1.14	1.03	0.15	2.70							

* Use PUADP-1 adapter with U dies in Y46 HYPRESS™

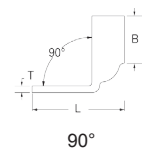
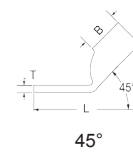
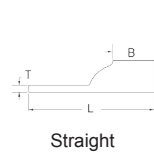
*** The MM² conductor size referenced here is for Class 5 conductor

** The MM² conductor size referenced here is for Class 2 and Class 5 conductor

▲ See tooling section of this catalog for complete tool and die listings

Note: All dimensions shown are for reference only.

**ONE HOLE HYLUG™
FLEX CONDUCTOR
STANDARD BARREL
NO INSPECTION
WINDOW
(Continued)**



C-57

UL Listed 90° C, Up to 35 kV ♦



NOTE: Field bending straight lugs to achieve an angular connection will void UL Listing / CSA Certifications and BURNDY will not be liable for the connection.

Catalog Number	Conductor		Stud Hole Size	Tongue Width	Figure Dimensions			Dieless (# of crimps)	Installation Tooling			Color Code	Die Index	Wire Strip Length
	AWG/KCMIL	MM² ***			(B)	(T)	(L)		Mech.	Hydraulic				
										MD6, OUR840, MD7-34R	BCT500HS, Y500CTHS			
YAG29LTC38FX	250 kcmil	—	3/8	1.18	1.03	0.16	2.45	Y / PAT644 (1) Y / PAT81KFT (1)	W29VT (2) X29RT (4)	W29VT (2) W29RT (2) X29RT (4)	U29RT (1)	Yellow	16	1-1/16
YAG29LTC12FX	4/0 AWG Flex G,H,I,K,M, DLO (550/24)		1/2	1.18	1.03	0.16	2.70							
YAG29LTC58FX			5/8	1.18	1.03	0.16	2.95							
YAG30LTC38FX	250 kcmil G,H	—	3/8	1.20	1.03	0.16	2.47	Y / PAT644 (1) Y / PAY81KFT (1)	W29VT (2) X29RT (4)	W29VT (2) W29RT (2) X29RT (4)	U29RT (1)	Yellow	16	1-1/16
YAG30LTC12FX			1/2	1.20	1.03	0.16	2.72							
YAG30LTC58FX			5/8	1.20	1.03	0.16	2.97							
YAG31LTC14FX	250 kcmil I,K,M, DLO 262 (650/24)	150	1/4	1.29	1.06	0.18	2.35	Y / PAT644 (1) Y / PAY81KFT (1)	W30VT (2)	W30VT (2) W30RT (2)	U30RT (2)	White	17	1-1/8
YAG31LTC516FX			5/16	1.29	1.06	0.18	2.41							
YAG31LTC38FX			3/8	1.29	1.06	0.18	2.53							
YAG31LTC12FX			1/2	1.29	1.06	0.18	2.78							
YAG31LTC58FX			5/8	1.29	1.06	0.18	3.03							
YAG32LTC12FX	300 kcmil G,H,I,K,M, DLO 313 (775/24)	185	1/2	1.40	1.19	0.19	2.97	Y / PAT644 (1) Y / PAY81KFT (1)	W31VT (2)	W31VT (2) W31RT (2)	U31RT (2)	Red	18	1-1/4
YAG32LTC58FX			5/8	1.40	1.19	0.19	3.22							
YAG34LTC516FX	350 kcmil G,H,I,K,M, DLO 373 (925/24)	240	5/16	1.55	1.27	0.23	2.78	Y / PAT644 (1) Y / PAY81KFT (1)	W32VT (2)	W32VT (2) W32RT (2)	U32RT (2)	Blue	19	1-5/16
YAG34LTC38FX			3/8	1.55	1.27	0.23	2.91							
YAG34LTC12FX			1/2	1.55	1.27	0.23	3.16							
YAG34LTC58FX			5/8	1.55	1.27	0.23	3.41							
YAG36LTC38FX	500 kcmil G,H DLO 444 (110/24)	—	3/8	1.73	1.38	0.27	3.27	Y / PAT644 (1) Y / PAY81KFT (2)	—	—	U34RT (2)	Brown	20	1-3/8
YAG38LTC516FX	500 kcmil H,I,K DLO 535 (325/24)	300	5/16	1.84	1.45	0.27	3.08	Y / PAT644 (1) Y / PAY81KFT (2)	—	—	U38XRT (2)	Pink	L99	1-7/16
YAG38LTC38FX			3/8	1.84	1.45	0.27	3.39							
YAG38LTC12FX			1/2	1.84	1.45	0.27	3.46							
YAG40LTC14FX	650 kcmil G, DLO 646 (1600/24)	400	1/4	1.96	1.42	0.30	3.04	Y / PAT644 (1) Y / PAY81KFT (2)	—	—	U39RT (2)	Black	24	1-5/16
YAG40LTC516FX			5/16	1.96	1.42	0.30	3.11							
YAG40LTC38FX			3/8	1.96	1.42	0.30	3.42							
YAG40LTC12FX			1/2	1.96	1.42	0.30	3.48							
YAG44LTC516FX	750 kcmil G,H, DLO 777 (1925/24)	500	5/16	2.18	1.65	0.33	3.81	Y / PAT644 (1) Y / PAY81KFT (2)	—	—	U44XRT (2) •P44XRT (2)	Yellow	L115	1-5/8
YAG44LTC38FX			3/8	2.18	1.65	0.33	3.81							
YAG44LTC12FX			1/2	2.18	1.65	0.33	3.85							

* Use PUADP-1 adapter with U dies in Y46 HYPRESS™

• P-RT dies for Y / PAT46 Tooling only

*** The MM² conductor size referenced here is for Class 5 conductor

** The MM² conductor size referenced here is for Class 2

and Class 5 conductor

▲ See tooling section of this catalog for complete tool and die listings

Note: All dimensions shown are for reference only.

ONE HOLE HYLUG™ FLEX CONDUCTOR STANDARD BARREL BELLED END

C-58

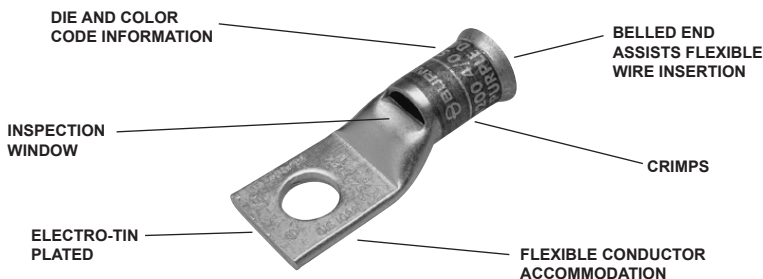
TYPE YA-LB

COPPER COMPRESSION
TERMINAL

UL Listed 90° C, Up to 35 kV ♦

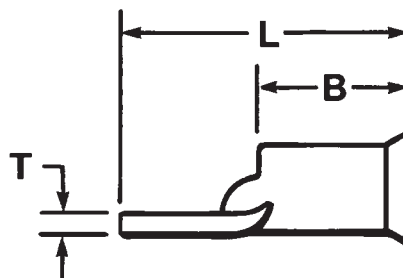
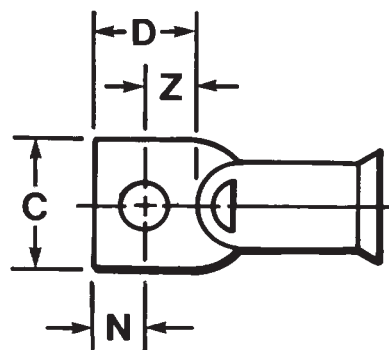


NOTE: Field bending straight lugs to achieve an angular connection will void UL Listing / CSA Certifications and BURNDY will not be liable for the connection.

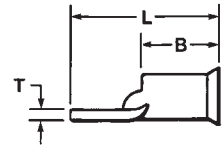
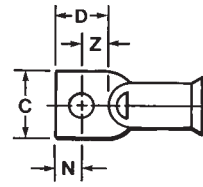


Features & Benefits

- Inspection window allows for visual verification that the wire has been fully inserted prior to crimping the lug
- Barrel is designed with a “belled” end opening at the wire entry, to ensure smooth insertion of highly flexible stranded wire, preventing possible damaging of the wire strands during insertion
- Short/Standard length barrel is recommended for installations with limited space requirements
- 45° and 90° angular lugs are available; please contact Customer Service
- Electro-tin plated unless otherwise specified to reduce galvanic corrosion (bimetallic) and resist corrosive elements
- Connectors are clearly marked with stamping and barrel color coding
- Connectors accommodating wire sizes #10 - 4/0 AWG accommodate both Flex and Code Wire. See Tables on each page for specific details
- Tables in this section identify flex wire as the nominal flex wire size followed by the wire classes and DLO wire size and stranding. For Class Wire Strand counts, see the table at the beginning of this section



**ONE HOLE HYLUG™
FLEX CONDUCTOR
STANDARD BARREL
NO INSPECTION
WINDOW
(Continued)**



NOTE: Field bending straight lugs to achieve an angular connection will void UL Listing / CSA Certifications and BURNDY will not be liable for the connection.

UL Listed 90° C, Up to 35 kV ♦

C-59

Catalog Number	Flex Conductor Size AWG/kcmil	Bolt Hole Size	Wire Strip Length	Installation Tooling Dieless (# of crimps)	Die Index	Dimensions	
						B	L
YA8C-LB	#8 AWG #6 Sol, #8 Sol	#10	7/16"	Y / PAT81KFT (1)	49	0.41"	1.12"
	1013						
YA5C-LB	#5 AWG #6 Flex G,H,I,K,M, DLO (61/24)	1/4"	7/8"	Y / PAT81KFT (1)	7	0.44"	1.73"
	1014						
YA4C-LB	#4 AWG #5 Flex G,H,I,K,M, DLO (105/24)	1/4"	7/8"	Y / PAT81KFT (1)	8	0.50"	1.73"
	1015						
YA3C-LB	#3 AWG #4 Flex G,H,I,K,M, DLO (105/24)	5/16"	15/16"	Y / PAT81KFT (1)	9	0.55"	1.94"
YA2C-LB	#2 AWG #3 Flex G,H,I,K,M, DLO (125/24)	5/16"	15/16"		1016		
YA1C-LB	#1 AWG #2 Flex G,H,I,K,M, DLO (150/24)	5/16"	15/16"	Y / PAT81KFT (1)	11	0.68"	2.02"
YA25-LB	1/0 AWG #1 Flex G,H,I,K,M, DLO (225/24)	5/16"	15/16"		1017		
YA26-LB	2/0 AWG 1/0 Flex G,H,I,K,M, DLO (275/24)	3/8"	1"	Y / PAT81KFT (1)	12	0.75"	2.26"
	1019						
YA27-LB	3/0 AWG 2/0 Flex G,H,I,K,M, DLO (325/24)	1/2"	1-1/16"	Y / PAT81KFT (1)	13	0.83"	2.61"
	1020						
					14		
					1021	0.91"	2.67"

Catalog Number	Flex Conductor Size AWG/kcmil	Bolt Hole Size	Wire Strip Length	Installation Tooling Dieless (# of crimps)	Die Index	Dimensions	
						B	L
YA28-LB	4/0 AWG 3/0 Flex G,H,I,K,M, DLO (450/24)	1/2"	1-1/16"	Y / PAT81KFT (1)	15	1.02"	2.77"
	1022						
YA29-LB	250 kcmil 4/0 Flex G,H	1/2"	1-1/16"	Y / PAT81KFT (1)	16	1.11"	2.82"
	1023						
YA30-LB	300 kcmil 250 Flex G,H 4/0 Flex I, K, M DLO (550/24)	1/2"	1-1/8"	Y / PAT81KFT (1)	17	1.20"	2.93"
	1024						
YA31-LB	350 kcmil 250 Flex I,K,M, DLO 262 (650/24)	1/2"	1-3/16"	Y / PAT81KFT (1)	18	1.29"	3.31"
YA32-LB	400 kcmil 300 Flex G,H,I,K,M, DLO 313 (775/24)	5/8"	1 1/4"		1025		
YA34-LB	500 kcmil 350 Flex G,H,I,K,M, DLO 373 (925/24) 400 Flex G,H,I	5/8"	1-7/16"	Y / PAT81KFT (1)	19	1.40"	3.56"
	1026						
YA36-LB	600 kcmil 450 Flex I,K,M DLO 444 (1100/24) 500 Flex G,H	5/8"	1-3/4"	Y / PAT81KFT (1)	20	1.52"	3.83"
	1027						
YA38-LB	700 kcmil 500 Flex I,K,M DLO 535 (1325/24) 550 Flex G,H,I	5/8"	1-15/16"	Y / PAT81KFT (1)	22	1.69"	4.31"
	1028						
YA39-LB	750 kcmil 600 Flex G 550 Flex M	5/8"	1-15/16"	Y / PAT81KFT (2)	23	1.89"	4.27"
	1029						
YA40-LB	800 kcmil 600 Flex H,I,K,M 1000 kcmil	5/8"	1-15/16"	Y / PAT81KFT (2)	24	1.89"	4.27"
	1030						
YA44-LB	650 Flex I 750 Flex G,H DLO 777 (1925/24)	5/8"	1-15/16"	Y / PAT81KFT (2)	25	1.95"	4.27"
	1031						
					27		
					1032	2.17"	4.5"

Note: All dimensions shown are for reference only.

Compression Connections

BURNDY®

Copper Compression — Flex — Long Barrel — Inspection Window

ONE HOLE HYLUG™ FLEX CONDUCTOR LONG BARREL WITH INSPECTION WINDOW

C-60

TYPES YAZ, YAZV

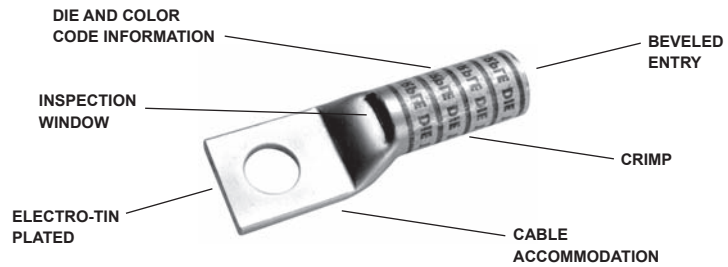
COPPER COMPRESSION TERMINAL

UL Listed 90° C, Up to 35 kV ♦

45° and 90° angles are available.

Please contact Customer Service to order:

1-800-346-4175

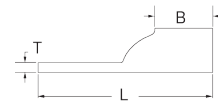


NOTE: Field bending straight lugs to achieve an angular connection will void UL Listing / CSA Certifications and BURNDY will not be liable for the connection.

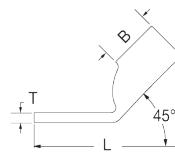
Features & Benefits

- Inspection window allows for visual verification that the wire has been fully inserted prior to crimping the lug
- Barrel is designed with an internal chamfer at the wire entry to ensure smooth insertion of the wire, preventing possible damaging of the wire strands during insertion
- Long barrel allows for an increased number of crimps which will increase the mechanical strength of the connection
- 45° and 90° angular lugs are available; please contact Customer Service
- Electro-tin plated unless otherwise specified to reduce galvanic corrosion (bimetallic) and resist corrosive elements
- Connectors are clearly marked with stamping and barrel color coding
- Connectors accommodating wire sizes #10 - 4/0 AWG accommodate both Flex and Code Wire. See Tables on each page for specific details
- Tables in this section identify flex wire as the nominal flex wire size followed by the wire classes and DLO wire size and stranding. For Class Wire Strand counts, see the table at the beginning of this section

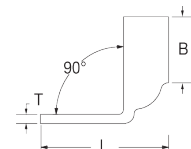
Straight



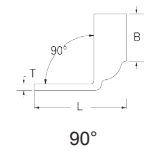
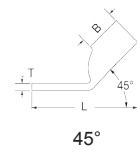
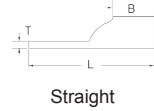
45°



90°



**ONE HOLE HYLUG™
FLEX CONDUCTOR
LONG BARREL WITH
INSPECTION WINDOW
(Continued)**



UL Listed 90° C, Up to 35 kV ♦



NOTE: Field bending straight lugs to achieve an angular connection will void UL Listing / CSA Certifications and BURNDY will not be liable for the connection.

C-61

Catalog Number	Conductor		Stud Hole Size	Tongue Width	Figure Dimensions			Dieless (# of crimps)	Installation Tooling			Color Code	Die Index	Wire Strip Length
	AWG/KCMIL	MM² ***			(B)	(T)	(L)		Mechanical	Hydraulic				
										MD6, OUR840, MD7-34R	BCT500HS, Y500CTHS			
YAZ8CTC10	#8 AWG	10	#10	.41"	0.75	0.08	1.43	Y122CMR (2) Y1MRTC (2) MY29-3 (2) MY29-11 (2) MRC840 (2) Y / PAT644 (1) Y / PAT81KFT (1)	W8CVT (2) W8CRT (2) X8CRT (2)	W8CVT (2) W8CRT (2) X8CRT (2)	U8CRT (2)	Red	49	13/16
YAZ8CTC14	#8 Flex		1/4	.44"	0.75	0.08	1.56							
YAZ8CTC38	DLO (37/24) #6 Sol #8 Sol		3/8	.58"	0.75	0.06	1.75							
YAZV6CTC14FX	#6 AWG	16	1/4	.48"	0.75	0.08	1.59	Y / PAT81KFT (1)	W5CVT (2) W5CRT (2) X5CRT (2)	W5CVT (2) W5CRT (2) X5CRT (2)	U5CRT (2)	Blue	7 or 374	13/16
YAZV6CTC38FX	#6 Flex G,H,I,K,M, DLO (61/24)		3/8	.58"	0.75	0.06	1.77							
YAZV4CTC14FX	#4 AWG	—	1/4	.55"	1.25	0.09	2.19	Y122CMR (4) Y1MRTC (4) MY29-3 (2) MY29-11 (2) MRC840 (2) Y / PAT644 (1) Y / PAT81KFT (1)	W4CVT (2) W4CRT (2) X4CRT (2)	W4CVT (2) W4CRT (2) X4CRT (2)	U4CRT (2)	Gray	8 or 346	1-5/16
YAZV4CTC38FX	#4 Flex G,H,I,K,M, DLO (105/24)		3/8	.58"	1.25	0.08	2.42							
YAZV2CTC14FX	#2 AWG	35	1/4	.68"	1.38	0.10	2.37	Y / PAT81KFT (1)	W2CVT (2) W2CRT (2) X2CRT (2)	W2CVT (2) W2CRT (2) X2CRT (2)	U2CRT (2)	Brown	10	1-7/16
YAZV2CTC38FX	#2 Flex G,H,I,K,M, DLO (105/24)		3/8	.68"	1.38	0.10	2.56							
YAZV2CTC12FX	#2 Flex G,H,I,K,M, DLO (150/24)		1/2	.83"	1.38	0.09	2.87							
YAZV1CTC14FX	#1 AWG	—	1/4	.75"	1.38	0.12	2.40	MY29-3 (2) MY29-11 (2) MRC840 (2) Y / PAT644 (1) Y / PAT81KFT (1)	W1CVT (2) W1CRT1 (2) X1CRT1 (2)	W1CVT (2) W1CRT1 (2) X1CRT1 (2)	U1CRT1 (2)	Green	11 or 375	1-7/16
YAZV1CTC516FX	#1 Flex G,H,I,K,M, DLO (225/24)		5/16	.75"	1.38	0.12	2.46							
YAZV1CTC38FX	#1 Flex G,H,I,K,M, DLO (225/24)		3/8	.75"	1.38	0.12	2.59							
YAZV25TC14FX	1/0 AWG	50	1/4	.83"	1.50	0.12	2.56	MY29-11 (2) Y / PAT644 (1) Y / PAT81KFT (2)	W25VT (4) W25RT (4) X25RT (4)	W25VT (4) W25RT (4) X25RT (4)	U25RT (2)	Pink	12 or 348	1-9/16
YAZV25TC38FX	1/0 Flex G,H,I,K,M, DLO (275/24)		3/8	.83"	1.50	0.12	2.75							
YAZV25TC12FX	1/0 Flex G,H,I,K,M, DLO (275/24)		1/2	.83"	1.50	0.12	3.00							
YAZV26TC14FX	2/0 AWG	70	1/4	.93"	1.50	0.13	2.61	MY29-11 (2) Y / PAT644 (1) Y / PAT81KFT (2)	W26VT (4) W26RT (4) X26RT (4)	W26VT (4) W26RT (4) X26RT (4)	U26RT (2)	Black	13	1-9/16
YAZV26TC38FX	2/0 Flex G,H,I,K,M, DLO (275/24)		3/8	.93"	1.50	0.13	2.80							
YAZV26TC12FX	2/0 Flex G,H,I,K,M, DLO (275/24)		1/2	.93"	1.50	0.13	3.05							
YAZV27TC38FX	3/0 AWG 3/0 Flex G,H,I,K,M, DLO (450/24)	95	3/8	1.03"	1.50	0.14	2.84	MY29-11 (2) Y / PAT644 (1) Y / PAT81KFT (2)	W27VT (4) W27RT (4) X27RT (4)	W27VT (4) W27RT (4) X27RT (4)	U27RT (2)	Orange	14	1-9/16
YAZV28NT38FX	4/0 AWG	120	3/8	.94"	1.62	0.14	3.01							
YAZV28TC38FX	4/0 Flex G,H,I,K,M, DLO (550/24)		3/8	1.14"	1.62	0.14	3.01							
YAZV28TC12FX	4/0 Flex G,H,I,K,M, DLO (550/24)		1/2	1.14"	1.62	0.14	3.26							
YAZV29NT516FX	250 kcmil 4/0 Flex G,H,I,K,M, DLO (550/24)	—	5/16	.96"	2.00	0.16	3.27	MY29-11 (2) Y / PAT644 (1) Y / PAT81KFT (2)	W29VT (4) W29RT (4) X29RT (8)	W29VT (4) W29RT (4) X29RT (8)	U29RT (2)	Yellow	16	2-1/16

* Use PUADP-1 adapter with U dies in Y46 HYPRESS™
 ** The MM² conductor size referenced here is for both Class 2 and Class 5 conductor
 *** The MM² conductor sizes listed are the recommendations for Class 5 conductor

▲ See tooling section of this catalog for complete tool and die listings. Use ONLY color-coded die recommendations for -FX connectors. For nest/indenter system contact factory

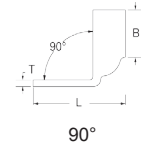
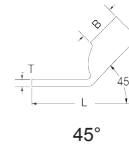
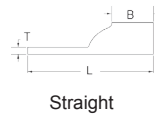
♦ For applications greater than 2000 Volts consult cable manufacturer for voltage stress relief instructions.
Note: All dimensions shown are for reference only.

Compression Connections

Copper Compression — Flex — Long Barrel — Inspection Window

BURNDY®

ONE HOLE HYLUG™ FLEX CONDUCTOR LONG BARREL WITH INSPECTION WINDOW (Continued)



C-62

UL Listed 90° C, Up to 35 kV ♦



NOTE: Field bending straight lugs to achieve an angular connection will void UL Listing / CSA Certifications and BURNDY will not be liable for the connection.

Catalog Number	Conductor		Stud Hole Size	Tongue Width	Figure Dimensions			Dieless (# of crimps)	Installation Tooling					
	AWG/KCMIL	MM ² ***			(B)	(T)	(L)		Mechanical	Hydraulic		Color Code	Die Index	Wire Strip Length
										MD6, OUR840, MD7-34R	BCT500HS, Y500CTHS			
YAZ30TC38FX	250 kcmil G,H	—	3/8	1.20"	2.00	0.16	3.41	Y / PAT644 (1) Y / PAT81KFT (2)	W29VT (4) X29RT (8)	W29VT (4) W29RT (4) X29RT (8)	U29RT (2)	Yellow	16	2-1/16
YAZ31TC38FX	250 kcmil I,K,M, DLO 262 (650/24)	150	3/8	1.28"	2.00	0.18	3.44		W30VT (4)	W30VT (4) W30RT (4)	U30RT (4)	White	17 or 298	2-1/16
YAZ32TC38FX	300 kcmil G,H,I,K,M, DLO 313 (775/24)	185	3/8	1.55"	2.12	0.19	3.61		X31VT (4)	W31VT (4) W31RT (4)	U31RT (4)	Red	18 or 324	2-3/16
YAZ34NT38FX	350 kcmil G,H,I,K,M, DLO 373 (925/24)	240	3/8	.96"	2.25	0.23	3.84		W32VT (4)	W32VT (4) W32RT (4)	U32RT (4)	Blue	19	2-5/16
YAZ34TC12FX			3/8	1.52"	2.25	0.23	4.09							
YAZ34TC38FX			1/2	1.52"	2.25	0.23	3.84							
YAZ36TC38FX	500 kcmil G,H DLO 444 (110/24)	—	3/8	1.72"	2.69	0.26	4.54		—	—	U34RT (4)	Brown	20 or 299	2-3/4
YAZ38NT38FX	500 kcmil H,I,K 550 kcmil G,H,I DLO 535 (325/24)	300	3/8	1.63"	2.81	0.27	4.71		—	—	U38XRT (4)	Pink	L99	2-7/8
YAZ38TC38FX			3/8	1.81"	2.81	0.27	4.71							
YAZ38NT12FX			1/2	1.63"	2.81	0.27	4.77							
YAZ38TC12FX			1/2	1.81"	2.81	0.27	4.77							

* Use PUADP-1 adapter with U dies in Y46 HYPRESS™
 ** The MM² conductor size referenced here is for both Class 2 and Class 5 conductor
 *** The MM² conductor sizes listed are the recommendations for Class 5 conductor

▲ See tooling section of this catalog for complete tool and die listings. Use ONLY color-coded die recommendations for -FX connectors. For nest/indentor system contact factory

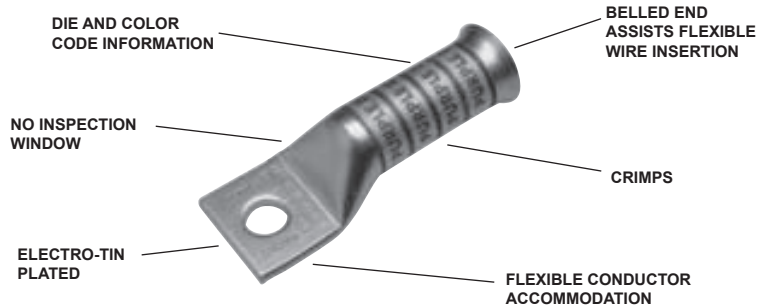
♦ For applications greater than 2000 Volts consult cable manufacturer for voltage stress relief instructions.
 Note: All dimensions shown are for reference only.

**ONE HOLE HYLUG™
FLEX CONDUCTOR
LONG BARREL
BELLED END**

**TYPES YA-TC-FXB,
YAV-TC-FXB**

UL Listed 90° C, Up to 35 kV ♦

45° and 90° angles are available.
Please contact Customer Service to order:
1-800-346-4175



C-63

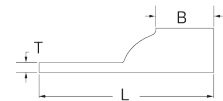


NOTE: Field bending straight lugs to achieve an angular connection will void UL Listing / CSA Certifications and BURNDY will not be liable for the connection.

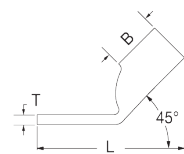
Features & Benefits

- No inspection window is ideal for more corrosive environments as the barrel transition is not open
- Barrel is designed with a “belled” end opening at the wire entry, to ensure smooth insertion of highly flexible stranded wire, preventing possible damaging of the wire strands during insertion
- Long barrel allows for an increased number of crimps which will increase the mechanical strength of the connection
- 45° and 90° angular lugs are available, please contact Customer Service
- Electro-tin plated unless otherwise specified to reduce galvanic corrosion (bimetallic) and resist corrosive elements
- Connectors are clearly marked with stamping and barrel color coding
- Connectors accommodating wire sizes #10 - 4/0 AWG accommodate both Flex and Code Wire. See Tables on each page for specific details
- Tables in this section identify flex wire as the nominal flex wire size followed by the wire classes and DLO wire size and stranding. For Class Wire Strand counts, see the table at the beginning of this section

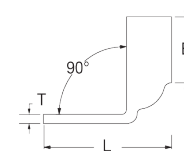
Straight



45°



90°

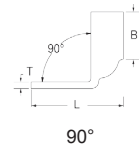
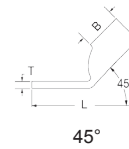
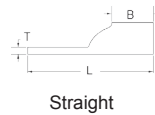


Compression Connections

BURNDY®

Copper Compression — Flex — Long Barrel — Belled End — No Inspection Window

ONE HOLE HYLUG™ FLEX CONDUCTOR LONG BARREL BELLED END (Continued)



C-64

UL Listed 90° C, Up to 35 kV ♦



NOTE: Field bending straight lugs to achieve an angular connection will void UL Listing / CSA Certifications and BURNDY will not be liable for the connection.

Catalog Number	Conductor		Stud Hole Size	Tongue Width	Figure Dimensions			Installation Tooling					Wire Strip Length	
	AWG/KCMIL	MM ² ***			(B)	(T)	(L)	Dieless (# of crimps)	Mech. MD6, OUR840, MD7-34R	Hydraulic BCT500HS, Y500CTHS	Y35, Y39, Y750 Y46*, PAT750	Color Code		Die Index
YA8C-TC14-FXB	#8 AWG #8 Flex G,H,I,K,M DLO (37/24) #6 Sol #8 Sol	** 10	1/4	0.44	0.90	0.08	1.78	MRC840 (2) MY29-11 (2) Y122CMR (2) Y1MRTC (2) Y / PAT81KFT (1)	W8CVT (2)	W8CVT (2)	U8CRT (2)	Red	49	1
YAV6C-TC10-FXB	#6 AWG #6 Flex G,H,I,K,M, DLO (61/24)	** 16	#8-#10 1/4	0.48	1.22	0.08	2.00	MY29-11 (2) Y1MRTC (2) Y122CMR (2) Y / PAT644 (1) Y / PAT81KFT (1)	W5CVT (2)	W5CVT (2)	U5CRT (2)	Blue	7	1-5/16
YAV6C-TC14-FXB	#6 AWG #6 Flex G,H,I,K,M, DLO (61/24)	** 16	1/4	0.48	1.22	0.08	2.12							
YA5CTC14FXB	#5 AWG #5 Flex G,H,I,K,M, DLO (91/24)	—	1/4	0.44	1.22	0.07	2.12							
YAV4C-TC10-FXB	#4 AWG #4 Flex G,H,I,K,M, DLO (105/24)	—	#8-#10 1/4	0.55	1.22	0.09	2.05	MY29-11 (2) Y1MRTC (4) Y122CMR (4) Y / PAT644 (1) Y / PAT81KFT (1)	W4CVT (2)	W4CVT (2)	U4CRT (2)	Gray	8	1-5/16
YAV4C-TC14-FXB	#4 AWG #4 Flex G,H,I,K,M, DLO (105/24)	—	1/4	0.55	1.22	0.09	2.17							
YAV4C-TC516-FXB	#4 AWG #4 Flex G,H,I,K,M, DLO (105/24)	—	5/16	0.55	1.22	0.09	2.24							
YAV2C-TC10-FXB	#2 AWG #2 Flex G,H,I,K,M, DLO (150/24)	35	#8-#10 5/16	0.68	1.35	0.10	2.24	MY29-11 (2) Y1MRTC (4) Y122CMR (4) Y / PAT644 (1) Y / PAT81KFT (1)	W2CVT (2)	W2CVT (2)	U2CRT (2)	Brown	10	1-7/16
YAV2C-TC516-FXB	#2 AWG #2 Flex G,H,I,K,M, DLO (150/24)	35	5/16	0.68	1.35	0.10	2.43							
YAV1C-TC10-FXB	#1 AWG #1 Flex G,H,I,K,M, DLO (225/24)	—	#8-#10 5/16	0.75	1.50	0.12	2.41							
YAV1C-TC516-FXB	#1 AWG #1 Flex G,H,I,K,M, DLO (225/24)	—	5/16	0.75	1.50	0.12	2.60	MY29-11 (2) Y / PAT644 (1) Y / PAT81KFT (1)	W1CVT (2)	W1CVT (2)	U1CRT-1 (2)	Green	11	1-9/16
YAV25-TC10-FXB	1/0 AWG 1/0 Flex G,H,I,K,M, DLO (275/24)	50	#8-#10 5/16	0.83	1.50	0.12	2.45	MY29-11 (2) Y / PAT644 (1) Y / PAT81KFT (2)	W25VT (4)	W25VT (4)	U25RT (2)	Pink	12	1-9/16
YAV25-TC516-FXB	1/0 AWG 1/0 Flex G,H,I,K,M, DLO (275/24)	50	5/16	0.83	1.50	0.12	2.64							
YAV25-TC38-FXB	1/0 AWG 1/0 Flex G,H,I,K,M, DLO (275/24)	50	3/8	0.83	1.50	0.12	2.77							
YAV25-TC12-FXB	1/0 AWG 1/0 Flex G,H,I,K,M, DLO (275/24)	50	1/2	0.83	1.50	0.12	3.20							
YAV26-TC38-FXB	2/0 AWG 2/0 Flex G,H,I,K,M, DLO (325/24)	70	3/8 1/2	0.93	1.63	0.13	2.95	MY29-11 (2) Y / PAT644 (1) Y / PAT81KFT (2)	W26VT (4)	W26VT (4)	U26RT (2)	Black	13	1-13/16
YAV26-TC12-FXB	2/0 AWG 2/0 Flex G,H,I,K,M, DLO (325/24)	70	1/2	0.93	1.63	0.13	3.39							
YAV27-TC12-FXB	3/0 AWG 3/0 Flex G,H,I,K,M, DLO (450/24)	95	1/2	1.04	1.64	0.14	3.44	MY29-11 (2) Y / PAT644 (1) Y / PAT81KFT (2)	W27VT (4)	W27VT (4)	U27RT (2)	Orange	14	1-13/16

* Use PUADP-1 adapter with U dies in Y46 HYPRESS™

** The 16 MM² and 120 MM² referenced here are for both Class 2 and Class 5 conductor

*** The MM² conductor sizes listed are the recommendations for Class 5 conductor

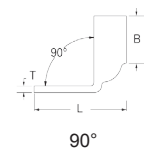
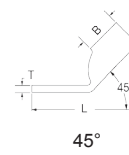
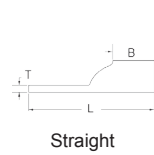
‡ P44RT for use with Y46 HYPRESS™ only. PUADP-1 adapter not required.

▲ See tooling section of this catalog for complete tool and die listings. Use ONLY color-coded die recommendations for -FX connectors. For nest/indenter system contact factory.

♦ For applications greater than 2000 Volts consult cable manufacturer for voltage stress relief instructions

Note: All dimensions shown are for reference only.

**ONE HOLE HYLUG™
FLEX CONDUCTOR
LONG BARREL
BELLED END
(Continued)**



C-65

UL Listed 90° C, Up to 35 kV ♦



NOTE: Field bending straight lugs to achieve an angular connection will void UL Listing / CSA Certifications and BURNDY will not be liable for the connection.

Catalog Number	Conductor		Stud Hole Size	Tongue Width	Figure Dimensions			Installation Tooling					Wire Strip Length		
	AWG/KCMIL	MM² ***			(B)	(T)	(L)	Dieless (# of crimps)	Mech.	Hydraulic		Color Code		Die Index	
							MD6, OUR840, MD7-34R		BCT500HS, Y500CTHS	Y35, Y39, Y750 Y46*, PAT750					
YAV28-TC38-FXB	4/0 AWG	—	3/8	1.14	1.77	0.14	3.19	Y / PAT644 (1) Y / PAT81KFT (2) Y81KFTMBH (2) PAT81KFT-18V (2)	W28VT (4)	W28VT (4)	W28RT (2)	Yellow	16	1-7/8	
YAV28-TC12-FXB	4/0 Flex G,H,I,K,M, DLO (550/24)		1/2	1.14	1.77	0.14	3.63		W29VT (4)	W29VT (4)	U29RT (2)	Yellow	16	2-1/4	
YA30-TC12-FXB	250 kcmil G,H	—	1/2	1.20	4.04	0.16	4.04	Y / PAT644 (1) Y / PAT81KFT (2) Y81KFTMBH (2) PAT81KFT-18V (2)	W30VT (4)	W30VT (4)	U30RT (4)	White	17	2-1/4	
YA31-TC12-FXB	250 kcmil I,K,M, DLO 262 (650/24)	150	1/2	1.29	2.18	0.18	4.09		W31VT (4)	W31VT (4)	U31RT (4)	Red	18	2-1/4	
YA32-TC12-FXB	300 kcmil G,H,I,K,M, DLO 313 (75/24)	185	1/2	1.40	2.32	0.19	4.28		W32VT (4)	W32VT (4)	U32RT (4)	Blue	19	2-9/16	
YA34-TC12-FXB	350 kcmil G,H,I,K,M, DLO 373 (925/24)	240	1/2	1.55	2.48	0.23	4.54		—	—	U34RT (4)	Brown	20	3-1/16	
YA36-TC12-FXB	500 kcmil G,H	—	1/2	1.73	2.95	0.26	5.09		—	—	U38XRT (4)	Pink	L99	3-1/16	
YA36-TC58-FXB	DLO 444 (110/24)		5/8	1.73	2.95	0.26	5.15								
YA38TC12FXB	500 kcmil H,I,K	300	1/2	1.84	3.08	0.27	5.07		—	—	U39RT (4)	Black	24	3-5/16	
YA38-TC58-FXB	550 kcmil G,H,I, DLO 525 (325/24)		5/8	1.84	3.08	0.27	5.32								
YA40-TC58-FXB	650 kcmil G DLO 646 (1600/24)	400	5/8	1.98	3.24	0.30	5.53		Y / PAT644 (1) Y / PAT81KFT (3)	—	—	U44XRT (4) •P44XRT (2)	Yellow	L115	3-7/16
YA44-TC58-FXB	750 kcmil G,H DLO 777 (1925/24)	500	5/8	2.18	3.33	0.32	5.71								
YA46-TC58-FXB	1111 kcmil DLO (2750/24)	—	5/8	2.69	3.58	0.39	6.19	—	—	—	**P45RT (4)	Yellow	29	3-11/16	

* Use PUADP-1 adapter with U dies in Y46 HYPRESS™
 • P-RT dies for Y / PAT46 Tooling only
 ** The 16 MM² and 120 MM² referenced here are for both Class 2 and Class 5 conductor
 *** The MM² conductor sizes listed are the recommendations for Class 5 conductor

▲ See tooling section of this catalog for complete tool and die listings. Use ONLY color-coded die recommendations for -FX connectors. For nest/indenter system contact factory.
 ♦ For applications greater than 2000 Volts consult cable manufacturer for voltage stress relief instructions
Note: All dimensions shown are for reference only.

**TWO HOLE HYLUG™ FLEX
CONDUCTOR STANDARD
BARREL**

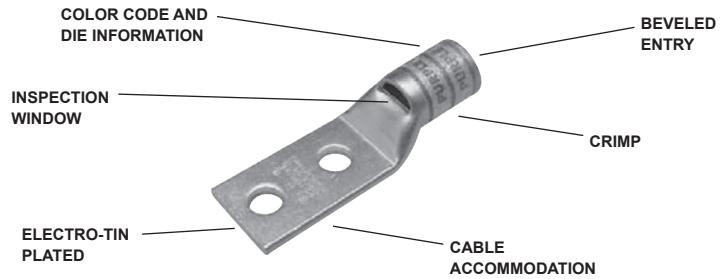
C-66

**TYPES YA-L-2TC,
YA-L-2TC-FX, YAV-L-2TC-FX**

**COPPER COMPRESSION
TERMINAL**

UL Listed 90° C, Up to 35 kV ♦

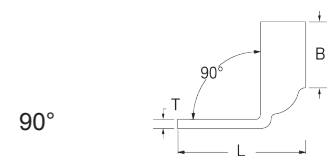
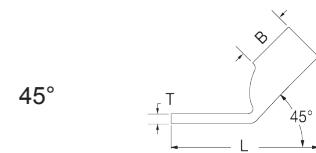
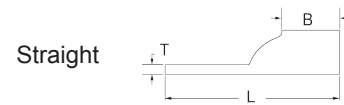
45° and 90° angles are available.
Please contact Customer Service to order:
1-800-346-4175



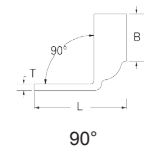
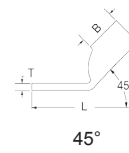
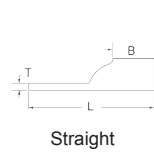
NOTE: Field bending straight lugs to achieve an angular connection will void UL Listing / CSA Certifications and BURNDY will not be liable for the connection.

Features & Benefits

- Inspection window allows for visual verification that the wire has been fully inserted prior to crimping the lug
- Barrel is designed with an internal chamfer at the wire entry to ensure smooth insertion of the wire, preventing possible damaging of the wire strands during insertion
- Short/Standard length barrel is recommended for installations with limited space requirements
- Two hole tongue/tang is recommended when space permits as the 2-hole feature minimizes the terminations from loosening or rotating under vibration, movement, or heat cycling
- 45° and 90° angular lugs are available; please contact Customer Service
- Electro-tin plated unless otherwise specified to reduce galvanic corrosion (bimetallic) and resist corrosive elements
- Connectors are clearly marked with stamping and barrel color coding
- Connectors accommodating wire sizes #10 - 4/0 AWG accommodate both Flex and Code Wire. See Tables on each page for specific details
- Tables in this section identify flex wire as the nominal flex wire size followed by the wire classes and DLO wire size and stranding. For Class Wire Strand counts, see the table at the beginning of this section



**TWO HOLE HYLUG™ FLEX
CONDUCTOR STANDARD
BARREL**
(Continued)



UL Listed 90° C, Up to 35 kV ♦



NOTE: Field bending straight lugs to achieve an angular connection will void UL Listing / CSA Certifications and BURNDY will not be liable for the connection.

C-67

Catalog Number	Conductor		Bolt Hole Size	Stud Hole Spacing	Tongue Width	Figure Dimensions			Dieless (# of Crimps)	▲ Installation Tooling					Wire Strip Length	
	AWG/KCMIL	MM² ***				(B)	(T)	(L)		Mech.	Hydraulic		Color Code	Die Index		
											MD6, OUR840, MD7-34R	BCT500, Y500CT				Y35, Y39, Y750, Y46*, PAT750
YA8C-L2TC10	#8 AWG #8 Flex G,H,I,K,M DLO (37/24)	10	#10	5/8	0.41	0.44	0.08	1.83	Y122CMR (1) MRC840 (1) MY29-3 (1) MY29-11 (1) Y8MRB-1 (1) Y1MRTC (1) Y/PAT81KFT (1)	W8CVT (1) W8CRT (1) X8CRT (1)	W8CVT (1) W8CRT (1) X8CRT (1)	U8CRT (1)	Red	49	7/16	
YA8C-L2TC14			1/4	5/8	0.44	0.44	0.08	1.95								
YA8C-L2TC14E2			1/4	3/4	0.44	0.44	0.08	2.08								
YA8C-L2TC14E1			1/4	1	0.44	0.44	0.08	2.33								
YA8C-L2TC38	#6 Sol #8 Sol		3/8	1	0.58	0.44	0.06	2.52								
YAV6C-L2TC10E9-FX	#6 AWG #6 Flex G,H,I,K,M, DLO (61/24)	16	#10	1/2	0.48	0.50	0.08	1.81	Y122CMR (1) MRC840 (1) MY29-11 (1) Y1MRTC (1) Y/PAT81KFT (1) Y/PAT644 (1)	W5CVT (1) W5CRT (1) X5CRT (1)	W5CVT (1) W5CRT (1) X5CRT (1)	U5CRT (1)	Blue	7	1/2	
YAV6C-L2TC10-FX			#10	5/8	0.45	0.50	0.08	1.94								
YAV6C-L2TC10E4-FX			#10	11/16	0.45	0.50	0.08	2.00								
YAV6C-L2TC10E2-FX			#10	3/4	0.48	0.50	0.08	2.06								
YAV6C-L2TC14-FX			1/4	5/8	0.48	0.50	0.08	2.06								
YAV6C-L2TC14E2-FX			1/4	3/4	0.48	0.50	0.08	2.16								
YAV6C-L2TC14E1-FX			1/4	1	0.48	0.50	0.08	2.44								
YAV6C-L2TC516-FX			5/16	1	0.52	0.50	0.07	2.50								
YAV6C-L2TC38-FX			3/8	1	0.58	0.50	0.06	2.62								
YAV6C-L2NTC-FX			1/2	1-3/4	0.83	0.50	0.12	3.81								
YAV4C-L2TC14-FX			1/4	5/8	0.55	0.50	0.09	2.08								
YAV4C-L2TC14E2-FX	1/4	3/4	0.55	0.50	0.09	2.20										
YAV4C-L2TC14E1-FX	1/4	1	0.55	0.50	0.09	2.45										
YAV4C-L2TC516-FX	5/16	1	0.55	0.50	0.09	2.52										
YAV4C-L2TC38-FX	3/8	1	0.58	0.50	0.08	2.68										
YAV4C-L2NTC-FX	1/2	1-3/4	0.83	0.50	0.12	3.87										
YAV2C-L2TC14-FX	1/4	5/8	0.68	0.63	0.10	2.26										
YAV2C-L2TC14E2-FX	1/4	3/4	0.68	0.63	0.10	2.38										
YAV2C-L2TC14E1-FX	1/4	1	0.68	0.63	0.10	2.63										
YAV2C-L2TC516-FX	5/16	1	0.68	0.63	0.10	2.71										
YAV2C-L2TC38-FX	3/8	1	0.68	0.63	0.10	2.82										
YAV2C-L2NTC-FX	1/2	1-3/4	0.83	0.63	0.08	4.07										
YAV1C-L2TC14-FX	1/4	5/8	0.75	0.62	0.12	2.28										
YAV1C-L2TC14E2-FX	1/4	3/4	0.75	0.62	0.12	2.41										
YAV1C-L2TC14E1-FX	1/4	1	0.75	0.62	0.12	2.65										
YAV1C-L2TC516-FX	5/16	1	0.75	0.62	0.12	2.72										
YAV1C-L2TC38-FX	3/8	1	0.75	0.62	0.12	2.85										
YAV1C-L2NTC-FX	1/2	1-3/4	0.83	0.62	0.11	4.04										
YAV25-L2TC14-FX	1/4	5/8	0.83	0.69	0.12	2.39										
YAV25-L2TC14E2-FX	1/4	3/4	0.83	0.69	0.12	2.51										
YAV25-L2TC516E2-FX	5/16	3/4	0.83	0.69	0.12	2.57										
YAV25-L2TC516-FX	5/16	1	0.83	0.69	0.12	2.82										
YAV25-L2TC38-FX	3/8	1	0.83	0.69	0.12	2.95										
YAV25-L2TC12E1-FX	1/2	1	0.83	0.69	0.12	3.20										
YAV25-L2NTC-FX	1/2	1-3/4	0.83	0.69	0.12	4.14										

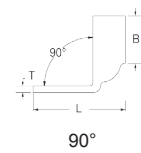
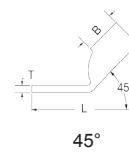
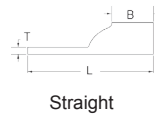
* Use PUADP-1 adaptor with U dies in Y46 HYPRESS™
 ** The MM² conductor size referenced here is for both Class 2 and Class 5 conductor
 *** The MM² conductor sizes listed are the recommendations for Class 5 conductor

▲ See tooling section of this catalog for complete tool and die listings. Use ONLY color-coded die recommendations for -FX connectors. For nest/indenter system contact factory

♦ For applications greater than 2000 Volts consult cable manufacturer for voltage stress relief instructions
Note: All dimensions shown are for reference only.

TWO HOLE HYLUG™ FLEX CONDUCTOR STANDARD BARREL

(Continued)



C-68

UL Listed 90° C, Up to 35 kV ♦



NOTE: Field bending straight lugs to achieve an angular connection will void UL Listing / CSA Certifications and BURNDY will not be liable for the connection.

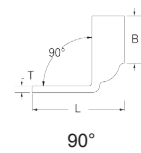
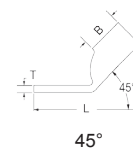
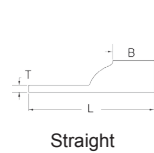
Catalog Number	Conductor		Bolt Hole Size	Stud Hole Spacing	Tongue Width	Figure Dimensions			▲ Installation Tooling						Wire Strip Length
	AWG/KCMIL	MM ² ***				(B)	(T)	(L)	Dieless (# of Crimps)	Mech. MD6, OUR840, MD7-34R	Hydraulic		Color Code	Die Index	
											BCT500, Y500CT	Y35, Y39, Y750, Y46*, PAT750			
YAV26-L2TC14-FX	2/0 AWG 2/0 Flex G,H,I,K,M, DLO (325/24)	70	1/4	5/8	0.93	0.81	0.13	2.56	MY29-11 (1) Y / PAT644HS (1) Y / PAT81KFT (1)	W26VT (2) W26RT (2) X26RT (2)	W26VT (2) W26RT (2) X26RT (2)	U26RT (1)	Black	13	13/16
YAV26-L2TC14E2-FX			1/4	3/4	0.93	0.81	0.13	2.68							
YAV26-L2TC516-FX			5/16	1	0.93	0.81	0.13	2.99							
YAV26-L2TC38-FX			3/8	1	0.93	0.81	0.13	3.12							
YAV26-L2TC38E10FX			3/8	1-1/4	0.93	0.81	0.13	3.37							
YAV26-L2TC12E1-FX			1/2	1	0.93	0.81	0.13	3.37							
YAV26-L2NTC-FX			1/2	1-3/4	0.93	0.81	0.13	4.31							
YAV27-L2TC14-FX	3/0 AWG 3/0 Flex G,H,I,K,M, DLO (450/24)	95	1/4	5/8	1.03	1.00	0.14	2.79	MY29-11 (1) Y / PAT644 (1) Y / PAT81KFT (1)	W27VT (2) W27RT (2) X27RT (3)	W27VT (2) W27RT (2) X27RT (3)	U27RT (1)	Orange	14	1
YAV27-L2TC38-FX			3/8	1	1.03	1.00	0.14	3.35							
YAV27-L2NTCFX			1/2	1.75	1.03	1.00	0.14	4.54							
YAV28-L2TC14E2-FX	4/0 AWG 3/0 Flex G,H,I,K,M, DLO (550/24)	120	1/4	3/4	1.14	1.03	0.15	2.99	MY29-11 (1) Y / PAT644 (1) Y / PAT81KFT (1)	W28VT (2) W28RT (2) X28RT (3)	W28VT (2) W28RT (2) X28RT (3)	U28RT (1)	Purple	15	1-1/16
YAV28-L2TC14-FX			1/4	5/8	1.14	1.03	0.15	2.86							
YAV28-L2TC516-FX			5/16	1	1.14	1.03	0.15	3.30							
YAV28-L2TC38-FX			3/8	1	1.14	1.03	0.15	3.43							
YAV28-L2TC12E1FX			1/2	1	1.14	1.03	0.15	3.68							
YAV28-L2TC12-FX			1/2	1-1/4	1.14	1.03	0.15	3.93							
YAV28-L2NTC-FX			1/2	1-3/4	1.14	1.03	0.15	4.62							
YAV29-L2TC14-FX	250 kcmil 4/0 Flex G,H,I,K,M, DLO (550/24)	—	1/4	5/8	1.18	1.03	0.16	2.87	Y / PAT644 (1) Y / PAT81KFT (1)	W29VT (2) X29RT (4)	W29VT (2) W29RT (2) X29RT (4)	U29RT (1)	Yellow	16	1-1/16
YAV29-L2TC14E2-FX			1/4	3/4	1.18	1.03	0.16	2.99							
YAV29-L2TC516-FX			5/16	1	1.18	1.03	0.16	3.31							
YAV29-L2TC38-FX			3/8	1	1.18	1.03	0.16	3.43							
YAV29-L2TC12E1FX			1/2	1	1.18	1.03	0.16	3.68							
YAV29-L2TC12-FX			1/2	1-1/4	1.18	1.03	0.16	3.93							
YAV29-L2NTC-FX			1/2	1-3/4	1.18	1.03	0.16	4.62							
YA30-L2TC516FX	250 kcmil G,H	—	5/16	1	1.20	1.03	0.16	3.32	Y / PAT644 (1) Y / PAT81KFT (1)	W29VT (2) X29RT (4)	W29VT (2) W29RT (2) X29RT (4)	U29RT (1)	Yellow	16	1-1/16
YA30-L2TC38-FX			3/8	1	1.20	1.03	0.16	3.45							
YA30-L2NTC-FX			1/2	1-3/4	1.20	1.03	0.16	4.63							
YA31-L2TC38-FX	250 kcmil I,K,M, DLO 262 (650/24)	150	3/8	1	1.29	1.06	0.18	3.51	Y / PAT644 (1) Y / PAT81KFT (1)	W30VT (2)	W30VT (2) W30RT (2)	U30RT (2)	White	17 or 298	1-1/8
YA31-L2TC12-FX			1/2	1-1/4	1.29	1.06	0.18	4.01							
YA31-L2NTC-FX			1/2	1-3/4	1.29	1.06	0.18	4.70							
YA32-L2TC38-FX	300 kcmil G,H,I,K,M, DLO 313 (775/24)	185	3/8	1	1.40	1.19	0.19	3.69	Y / PAT644 (1) Y / PAT81KFT (1)	W31VT (2)	W31VT (2) W31RT (2)	U31RT (2)	Red	18 or 324	1-1/4
YA32-L2NTC-FX			1/2	1-3/4	1.40	1.19	0.19	4.88							

* Use PUADP-1 adaptor with U dies in Y46 HYPRESS™
 ** The MM² conductor size referenced here is for both Class 2 and Class 5 conductor
 *** The MM² conductor sizes listed are the recommendations for Class 5 conductor

▲ See tooling section of this catalog for complete tool and die listings. Use ONLY color-coded die recommendations for -FX connectors. For nest/indenter system contact factory

♦ For applications greater than 2000 Volts consult cable manufacturer for voltage stress relief instructions
Note: All dimensions shown are for reference only.

**TWO HOLE HYLUG™ FLEX
CONDUCTOR STANDARD
BARREL**
(Continued)



UL Listed 90° C, Up to 35 kV ♦



NOTE: Field bending straight lugs to achieve an angular connection will void UL Listing / CSA Certifications and BURNDY will not be liable for the connection.

C-69

Catalog Number	Conductor		Bolt Hole Size	Stud Hole Spacing	Tongue Width	Figure Dimensions			Dieless (# of Crimps)	▲ Installation Tooling			Color Code	Die Index	Wire Strip Length		
	AWG/KCMIL	MM² ***				(B)	(T)	(L)		Mech. MD6, OUR840, MD7-34R	Hydraulic					Color Code	Die Index
											BCT500, Y500CT	Y35, Y39, Y750, Y46*, PAT750					
YA34-L2TC516-FX	350 kcmil G,H,I,K,M, DLO 373 (925/24)	240	5/16	1	1.55	1.27	0.23	3.75	Y / PAT644 (1) Y / PAT81KFT (1)	W32VT (2)	W32VT (2) W32RT (2)	U32RT (2)	Blue	19 or 470	1-5/16		
YA34-L2TC38-FX			3/8	1	1.55	1.27	0.23	3.88									
YA34-L2NTC38-FX			3/8	1-3/4	1.55	1.27	0.23	4.63									
YA34-L2TC12-FX			1/2	1-1/4	1.55	1.27	0.23	4.38									
YA34-L2NTC-FX			1/2	1-3/4	1.55	1.27	0.23	5.06									
YA36-L2TC38-FX	500 kcmil G,H, DLO 444 (110/24)	—	3/8	1	1.74	1.38	0.27	4.24	Y / PAT644 (1) Y / PAT81KFT (1)	—	—	U34RT (2)	Brown	20 or 299	1-7/16		
YA36-L2NTC-FX			1/2	1-3/4	1.74	1.38	0.27	5.24									
YA38-L2TC516-FX	500 kcmil H,I,K 550 kcmil G,H,I DLO 535 (325/24)	300	5/16	1	1.84	1.45	0.27	4.04	Y / PAT644 (1) Y / PAT81KFT (1)	—	—	U38XRT (2)	Pink	L99	1-7/16		
YA38-L2TC38-FX			3/8	1	1.84	1.45	0.27	4.35									
YA38-L2TC12-FX			1/2	1-1/4	1.84	1.45	0.27	4.67									
YA38-L2NTC-FX			1/2	1-3/4	1.84	1.45	0.27	5.35									
YA39L2TC38E10FX	600 kcmil G,H,I,K, DLO (1470/24)	—	3/8	1-3/4	1.91	1.42	0.27	4.61	Y / PAT644 (1) Y / PAT81KFT (2)	—	—	U38RT (2)	Purple	400	1-1/2		
YA39-L2NTC-FX			1/2	1-3/4	1.91	1.42	0.27	5.36									
YA40-L2TC38-FX	650 kcmil G, DLO 646 (1600/24)	400	3/8	1	1.98	1.42	0.30	4.38	Y / PAT644 (1) Y / PAT81KFT (2)	—	—	U39RT (2)	Black	24	1-5/16		
YA40-L2NTC-FX			1/2	1-3/4	1.98	1.42	0.30	5.38									
YA44-L2TC38-FX	750 kcmil G,H, DLO 777 (1925/24)	500	3/8	1	2.19	1.65	0.33	4.74	Y / PAT644 (1) Y / PAT81KFT (2)	—	—	U44XRT (2) +P44XRT (2)	Yellow	L115	1-5/8		
YA44-L2TC12-FX			1/2	1-1/4	2.19	1.65	0.33	5.05									
YA44-L2TC12E3-FX			1/2	1-1/2	2.19	1.65	0.33	5.30									
YA44-L2NTC-FX			1/2	1-3/4	2.19	1.65	0.33	5.74									
YA44-L2TC58-FX			5/8	1-1/2	2.19	1.65	0.33	5.55									

* Use PUADP-1 adaptor with U dies in Y46 HYPRESS™
 • P-RT dies for Y / PAT46 Tooling only
 ** The MM² conductor size referenced here is for both Class 2 and Class 5 conductor
 *** The MM² conductor sizes listed are the

recommendations for Class 5 conductor
 ▲ See tooling section of this catalog for complete tool and die listings. Use ONLY color-coded die recommendations for -FX connectors. For nest/indentor system contact

factory
 ♦ For applications greater than 2000 Volts consult cable manufacturer for voltage stress relief instructions
Note: All dimensions shown are for reference only.

Compression Connections

BURNDY®

Copper Compression — Flex — Standard Barrel — Narrow Tongue

TWO HOLE HYLUG™ FLEX CONDUCTOR STANDARD BARREL NARROW TONGUE

C-70

TYPE YAV-L-2NTFX

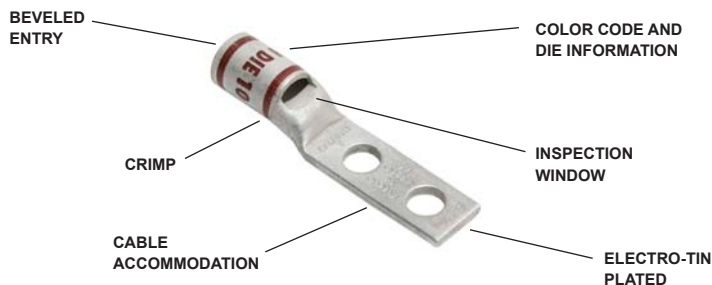
COPPER COMPRESSION
NARROW TONGUE TERMINAL

UL Listed 90° C, Up to 35 kV ♦

45° and 90° angles are available.

Please contact Customer Service to order:

1-800-346-4175

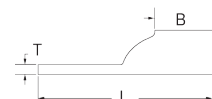


NOTE: Field bending straight lugs to achieve an angular connection will void UL Listing / CSA Certifications and BURNDY will not be liable for the connection.

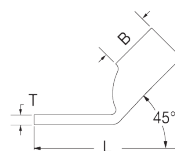
Features & Benefits

- Inspection window allows for visual verification that the wire has been fully inserted prior to crimping the lug
- Narrow tongue/tang is designed to allow for more parallel terminations of wire in limited space applications
- Barrel is designed with an internal chamfer at the wire entry to ensure smooth insertion of the wire, preventing possible damaging of the wire strands during insertion
- Short/Standard length barrel is recommended for installations with limited space requirements
- Two hole tongue/tang is recommended when space permits as the 2-hole feature minimizes the terminations from loosening or rotating under vibration, movement, or heat cycling
- 45° and 90° angular lugs are available; please contact Customer Service
- Electro-tin plated unless otherwise specified to reduce galvanic corrosion (bimetallic) and resist corrosive elements
- Connectors are clearly marked with stamping and barrel color coding

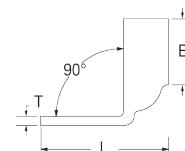
Straight



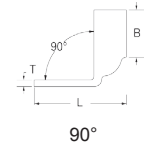
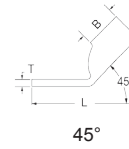
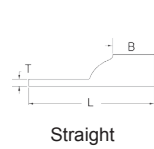
45°



90°



**TWO HOLE HYLUG™ FLEX
CONDUCTOR STANDARD
BARREL NARROW TONGUE
(Continued)**



UL Listed 90° C, Up to 35 kV ♦



NOTE: Field bending straight lugs to achieve an angular connection will void UL Listing / CSA Certifications and BURNDY will not be liable for the connection.

C-71

Catalog Number	Conductor		Stud Hole Size	Stud Hole Spacing	Tongue Width	Figure Dimensions			Installation Tooling				Wire Strip Length		
	AWG/ KCMIL	MM ² ***				(B)	(T)	(L)	Dieless (# of crimps)	Mech.	Hydraulic			Color Code	Die Index
										MD6, OUR840, MD7-34R	BCT500, Y500CT	Y35, Y39, Y750 Y46, PAT750			
YAV4CL2NT10E1FX	#4 AWG	—	#10	1.00	0.41	0.50	0.09	2.33	MY29-11 (1) Y122CMR (2) Y1MRTC (2) Y / PAT81KFT (1) Y / PAT644 (1)	W4CVT (1) W4CRT (1) X4CRT (1)	W4CVT (1) W4CRT (1) X4CRT (1)	U4CRT (1)	Gray	8	9/16
YAV4CL2NT10FX	#4 Flex G,H,I,K,M		#10	5/8	0.41	0.50	0.09	1.95							
YAV4CL2NT14FX	DLO (105/24)		1/4	.63"	0.45	0.50	0.09	2.08							
YAV2CL2NT10FX	#2 AWG	35	#10	.63"	0.48	0.63	0.10	2.14	MY29-11 (1) Y122CMR (2) Y1MRTC (2) Y / PAT81KFT (1) Y / PAT644 (1)	W2CVT (1) W2CRT (1) X2CRT (1)	W2CVT (1) W2CRT (1) X2CRT (1)	U2CRT (1)	Brown	10	11/16
YAV2CL2NT14E1FX	#2 Flex G,H,I,K,M		1/4	1.00"	0.48	0.63	0.10	2.63							
YAV2CL2NT14FX	DLO (150/24)		1/4	.63"	0.48	0.63	0.10	2.26							
YAV1CL2NT14FX	#1 AWG	—	1/4	.63"	0.50	0.62	0.12	2.28	MY29-11 (1) Y / PAT644 (1) Y / PAT81KFT (1)	W1CVT (1) W1CRT1 (1) X1CRT1 (1)	W1CVT (1) W1CRT1 (1) X1CRT1 (1)	U1CRT1 (1)	Green	11	11/16
YAV1CL2NT516FX	#1 Flex G,H,I,K,M		5/16	1.00"	0.58	0.63	0.12	2.72							
YAV25L2NT14E1FX	DLO (225/24)		1/4	1.00"	0.64	0.69	0.12	2.76							
YAV25L2NT14FX	1/0 AWG	50	1/4	.63"	0.64	0.69	0.12	2.39	MY29-11 (1) Y / PAT644 (1) Y / PAT81KFT (1)	W25VT (2) W25RT (2) X25RT (2)	W25VT (2) W25RT (2) X25RT (2)	U25RT (1)	Pink	12	12
YAV25L2NT516FX	1/0 Flex G,H,I,K,M		1/4	.63"	0.64	0.69	0.12	2.39							
YAV25L2NT516FX	DLO (275/24)		5/16	1.00"	0.58	0.69	0.12	2.82							
YAV26L2NT14FX	2/0 AWG	70	1/4	0.63"	0.76	0.81	0.13	2.56	MY29-11 (1) Y / PAT644 (1) Y / PAT81KFT (1)	W26VT (2) W26RT (2) X26RT (2)	W26VT (2) W26RT (2) X26RT (2)	U26RT (1)	Black	13	13/16
YAV26L2NT38FX	2/0 Flex G,H,I,K,M		3/8	1.00"	0.63	0.81	0.13	3.23							
YAV26L2NT516FX	DLO (325/24)		5/16	1.00"	0.58	0.81	0.13	2.99							
YAV28L2ENT14FX	4/0 AWG	—	1/4	.63"	0.76	1.03	0.15	2.86	MY29-11 (1) Y / PAT644 (1) Y / PAT81KFT (1)	W28VT (2) W28RT (2) X28RT (3)	W28VT (2) W28RT (2) X28RT (3)	U28RT (1)	Purple	15	1-1/16
YAV28L2NT38FX	4/0 Flex G,H,I,K,M		3/8	1	0.94	1.03	0.15	3.43							
YAV28L2NT38FX	DLO (550/24)		3/8	1	0.94	1.03	0.15	3.43							
YAV29L2NT38FX	250 kcmil 4/0 Flex G,H,I,K,M	—	3/8	1	0.94	1.03	0.16	3.43	Y / PAT644 (1) Y / PAT81KFT (1)	W29VT (2) X29RT (4)	W29VT (2) W29RT (2) X29RT (4)	U29RT (1)	Yellow	16	16
YAV29L2NT38FX	DLO (550/24)		3/8	1	0.94	1.03	0.16	3.43							
YA31L2NT38FX	250 kcmil I,K,M	150	3/8	1.00"	0.96	1.06	0.18	3.51	Y / PAT644 (1) Y / PAT81KFT (1)	W30VT (2)	W30VT (2) W30RT (2)	U30RT (2)	White	17 or 298	1-1/8

Consult cable manufacturers for stress relief instructions
 ♦ For applications greater than 2000 Volts consult cable manufacturer for voltage stress relief instructions
 * Use PUADP-1 adaptor with U dies in Y46 HYPRESS™
 *** The MM² conductor sizes Listed are the recommendations for CLASS 5 conductor

▲ See tooling section of this catalog for complete tool and die listings. Use ONLY color-coded die recommendations for -FX connectors
Note: All dimensions shown are for reference only

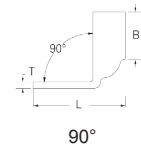
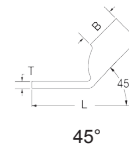
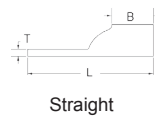
Compression Connections

BURNDY®

Copper Compression — Flex — Standard Barrel — Narrow Tongue

TWO HOLE HYLUG™ FLEX CONDUCTOR STANDARD BARREL NARROW TONGUE

(Continued)



C-72

UL Listed 90° C, Up to 35 kV ♦



NOTE: Field bending straight lugs to achieve an angular connection will void UL Listing / CSA Certifications and BURNDY will not be liable for the connection.

Catalog Number	Conductor		Stud Hole Size	Stud Hole Spacing	Tongue Width	Figure Dimensions			Dieless (# of crimps)	Installation Tooling			Wire Strip Length		
	AWG/ KCMIL	MM ² ***				(B)	(T)	(L)		Mech. MD6, OUR840, MD7-34R	Hydraulic			Color Code	Die Index
											BCT500, Y500CT	Y35, Y39, Y750 Y46*, PAT750			
YA32L2NT38FX	300 kcmil G,H,I,K,M DLO 313 (775/24)	185	3/8	1.00"	0.96	1.19	0.20	3.69	Y / PAT644 (1) Y / PAT81KFT (1)	W31VT (2)	W31VT (2) W31RT (2)	U31RT (2)	Red	18	1-1/4
YA34L2NT38FX	350 kcmil G,H,I,K,M DLO 373 (925/24)	240	3/8	1	0.96	1.27	0.23	3.88	Y / PAT644 (1) Y / PAT81KFT (1)	W32VT (2)	W32VT (2) W32RT (2)	U32RT (2)	Blue	19 or 470	1-5/16
YA36L2NT38FX	500 kcmil G,H	—	3/8	1.00"	1.63	1.38	0.27	4.24	Y / PAT644 (1) Y / PAT81KFT (1)	—	—	U34RT (2)	Brown	20	1-7/16
YA36L2ENT38E10FX	DLO 444 (110/24)	—	3/8	1.25	1.50	1.38	0.27	4.49	Y / PAT644 (1) Y / PAT81KFT (1)	—	—	U34RT (2)			
YA38L2ENT38FX	500 kcmil H,I,K	300	3/8	1.00"	1.50	1.45	0.27	4.35	Y / PAT644 (1) Y / PAT81KFT (1)	—	—	U38XRT (2)	Pink	L99	
YA38L2NT38FX	500 kcmil G,H,I	300	3/8	1	1.63	1.45	0.27	4.35	Y / PAT644 (1) Y / PAT81KFT (1)	—	—	U38XRT (2)			
YA38L2NNTFX	DLO 535 (325/24)	300	1/2	1.75	1.63	1.45	0.27	5.35	Y / PAT644 (1) Y / PAT81KFT (1)	—	—	U38XRT (2)			
YA40L2NNTFX	650 kcmil G DLO 646 (1600/24)	400	1/2	1.75	1.63	1.42	0.30	5.38	Y / PAT644 (1) Y / PAT81KFT (2)	—	—	U39RT (2)	Black	24	1-5/16
YA44L2NNTFX	750 kcmil G,H	500	1/2	1.75	1.63	1.65	0.33	5.74	Y / PAT644 (1) Y / PAT81KFT (2)	—	—	U44XRT (2) +P44XRT (2)	Yellow	L115	1-5/8
YA44L2NT38FX	DLO 777 (1925/24)		3/8	1	1.63	1.65	0.33	4.74							
YA45L2NT38FX	929 kcmil DLO (2300/24)	—	3/8	1.00"	1.70	2.00	0.38	5.18	—	—	—	P44RT (2)	White	27	2-1/16

Consult cable manufacturers for stress relief instructions

♦ For applications greater than 2000 Volts consult cable manufacturer for voltage stress relief instructions

* Use PUADP-1 adaptor with U dies in Y46 HYPRESS™

• P-RT dies for Y / PAT46 Tooling only

*** The MM² conductor sizes Listed are the

recommendations for CLASS 5 conductor

▲ See tooling section of this catalog for complete tool and die listings. Use ONLY color-coded die recommendations for -FX connectors

Note: All dimensions shown are for reference only

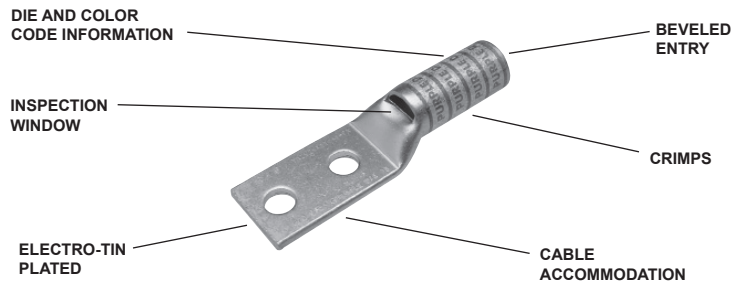
**TWO HOLE HYLUG™
FLEX CONDUCTOR
LONG BARREL WITH
INSPECTION WINDOW**

TYPE YAZ-FX

**COPPER COMPRESSION
TERMINAL**

UL Listed 90° C, Up to 35 kV ♦

45° and 90° angles are available.
Please contact Customer Service to order :
1-800-346-4175



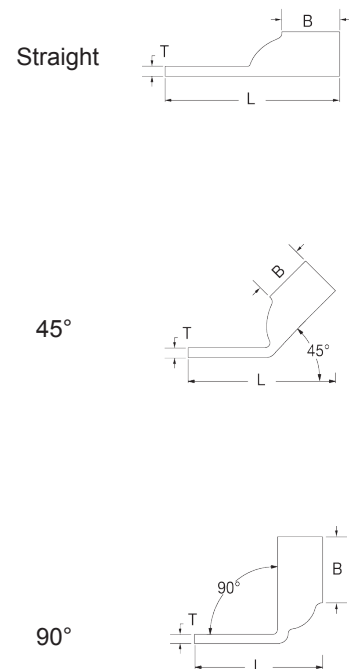
C-73



NOTE: Field bending straight lugs to achieve an angular connection will void UL Listing / CSA Certifications and BURNDY will not be liable for the connection.

Features & Benefits

- Inspection window allows for visual verification that the wire has been fully inserted prior to crimping the lug
- Barrel is designed with an internal chamfer at the wire entry to ensure smooth insertion of the wire, preventing possible damaging of the wire strands during insertion
- Long barrel allows for an increased number of crimps which will increase the mechanical strength of the connection
- Two hole tongue/tang is recommended when space permits as the 2-hole feature minimizes the terminations from loosening or rotating under vibration, movement, or heat cycling
- 45° and 90° angular lugs are available; please contact Customer Service
- Electro-tin plated unless otherwise specified to reduce galvanic corrosion (bimetallic) and resist corrosive elements
- Connectors are clearly marked with stamping and barrel color coding
- Connectors accommodating wire sizes #10 - 4/0 AWG accommodate both Flex and Code Wire. See Tables on each page for specific details
- Tables in this section identify flex wire as the nominal flex wire size followed by the wire classes and DLO wire size and stranding. For Class Wire Strand counts, see the table at the beginning of this section

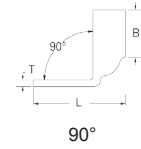
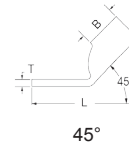
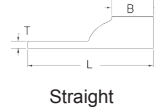


Compression Connections

Copper Compression — Flex — Long Barrel — Inspection Window

BURNDY®

TWO HOLE HYLUG™ FLEX CONDUCTOR LONG BARREL WITH INSPECTION WINDOW (Continued)



UL Listed 90° C, Up to 35 kV ♦

NOTE: Field bending straight lugs to achieve an angular connection will void UL Listing / CSA Certifications and BURNDY will not be liable for the connection.

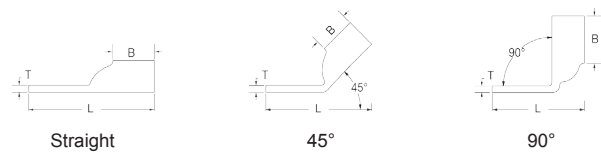
Catalog Number	Conductor		Bolt Hole Size	Stud Hole Spacing	Tongue Width	Figure Dimensions			Dieless (# of Crimps)	▲ Installation Tooling			Color Code	Die Index	Wire Strip Length
	AWG/KCML	MM ² ***				(B)	(T)	(L)		Mech.	Hydraulic				
											MD6, OUR840, MD7-34R	BCT500, Y500CT			
YAZV102TC14E1	14-10 AWG	2.5 - 4	1/4	1.00	0.41	0.69	0.05	2.53	MR20 (2) MRE1022B (2) Y122CMR (2)	—	—	—	—	—	3/4
YAZ8C2TC10FX	#8 AWG	10	#10	5/8	0.41	0.81	0.08	2.20	Y8MRB-1 (1) MY29-11 (2) Y122CMR (2) Y1MRTC (2) Y/PAT81KFT (1)	W8CVT (2) W8CRT (2) X8CRT (2)	W8CVT (2) W8CRT (2) X8CRT (2)	U8CRT (2)	Red	49	1
YAZ8C2TC10E2FX	#8 Flex		#10	3/4	0.41	0.75	0.08	2.33							
YAZ8C2TC14FX	G,H,I,K,M		1/4	5/8	0.44	0.81	0.08	2.32							
YAZ8C2TC14E2FX	DLO (37/24)		1/4	3/4	0.44	0.81	0.08	2.45							
YAZ8C2TC14E1FX	#6 Sol		1/4	1	0.44	0.81	0.08	2.70							
YAZ8C2TC38FX	#8 Sol		3/8	1	0.58	0.81	0.06	2.89							
YAZV6C2TC10E2FX	#6 AWG #6 Flex G,H,I,K,M DLO (61/24)	16	#10	3/4	0.48	0.75	0.08	2.64	MY29-11 (2) Y / PAT644 (1) Y122CMR (2) Y1MRTC (2) Y/PAT81KFT (1)	W5CVT (2) W5CRT (2) X5CRT (2)	W5CVT (2) W5CRT (2) X5CRT (2)	U5CRT (2)	Blue	7 or 374	1-3/16
YAZV6C2TC14FX			1/4	5/8	0.48	0.75	0.08	2.65							
YAZV6C2TC14E2FX			1/4	3/4	0.48	0.75	0.08	2.78							
YAZV6C2TC14E1FX			1/4	1	0.48	0.75	0.08	3.03							
YAZV6C2TC38E2FX			3/8	3/4	0.58	0.75	0.06	2.97							
YAZV6C2TC38E6FX			3/8	7/8	0.58	0.75	0.06	3.09							
YAZV6C2TC38FX		3/8	1	0.58	0.75	0.06	2.78								
YAZV4C2TC14FX	#4 AWG #4 Flex G,H,I,K,M DLO (105/24)	—	1/4	5/8	0.55	1.25	0.09	2.83	Y1MRTC (4) Y122CMR (4) MY29-11 (2) Y / PAT644 (1) Y / PAT81KFT (1)	W4CVT (2) W4CRT (2) X4CRT (2)	W4CVT (2) W4CRT (2) X4CRT (2)	U4CRT (2)	Gray	8 or 346	1-5/16
YAZV4C2TC14E2FX			1/4	3/4	0.55	1.25	0.09	2.95							
YAZV4C2TC38E2-FX			3/8	3/4	0.58	1.25	0.08	3.14							
YAZV4C2TC38FX			3/8	1	0.58	1.25	0.08	3.39							
YAZV2C2TC14FX	#2 AWG #2 Flex G,H,I,K,M DLO (140/24)	35	1/4	5/8	0.68	1.38	0.10	3.01	Y122MRC (4) Y1MRTC (4) MY29-11 (4) Y / PAT644 (1) Y / PAT81KFT (1)	W2CVT (2) W2CRT (2) X2CRT (2)	W2CVT (2) W2CRT (2) X2CRT (2)	U2CRT (2)	Brown	10	1-7/16
YAZV2C2TC14E2FX			1/4	3/4	0.68	1.38	0.10	3.13							
YAZV2C2TC38FX			3/8	1	0.68	1.38	0.10	3.57							
YAZV2C2NTCFX			1/2	1-3/4	0.83	1.38	0.10	4.76							
YAZV1C2TC14FX	#1 AWG #1 Flex G,H,I,K,M DLO (225/24)	—	1/4	5/8	0.75	1.38	0.12	3.04	MY29-11 (2) Y / PAT644 (1) Y / PAT81KFT (2)	W1CVT (2) W1CRT1 (2) X1CRT1 (2)	W1CVT (2) W1CRT1 (2) X1CRT1 (2)	U1CRT1 (2)	Green	11 or 375	1-7/16
YAZV1C2TC14E2FX			1/4	3/4	0.75	1.38	0.12	3.16							
YAZV1C2TC14E1FX			1/4	1	0.75	1.38	0.12	3.41							
YAZV1C2TC516E6FX			5/16	7/8	0.75	1.38	0.12	3.35							
YAZV1C2TC516FX			5/16	1	0.75	1.38	0.12	3.47							
YAZV1C2TC38FX			3/8	1	0.75	1.38	0.12	3.60							
YAZV252TC14FX	1/0 AWG 1/0 Flex G,H,I,K,M DLO (275/24)	50	1/4	5/8	0.83	1.50	0.12	3.20	MY29-11 (2) Y / PAT644 (1) Y / PAT81KFT (2)	W25VT (4) W25RT (4) X25RT (4)	W25VT (4) W25RT (4) X25RT (4)	U25RT (2)	Pink	12 or 348	1-9/16
YAZV252TC14E2FX			1/4	3/4	0.83	1.50	0.12	3.32							
YAZV252TC38FX			3/8	1	0.83	1.50	0.12	3.76							
YAZV252NTCFX			1/2	1-3/4	0.83	1.50	0.12	4.95							

* Use PUADP-1 adapter with U dies in Y46 HYPRESS™
 ** The MM² conductor size referenced here is for both Class 2 and Class 5 conductor
 *** The MM² conductor sizes listed are the recommendations for Class 5 conductor

▲ See tooling section of this catalog for complete tool and die listings. Use ONLY color-coded die recommendations for -FX connectors. For nest/indenter system contact factory

♦ For applications greater than 2000 Volts consult cable manufacturer for voltage stress relief instructions
Note: All dimensions shown are for reference only.

**TWO HOLE HYLUG™
FLEX CONDUCTOR
LONG BARREL WITH
INSPECTION WINDOW**
(Continued)



UL Listed 90° C, Up to 35 kV ♦



NOTE: Field bending straight lugs to achieve an angular connection will void UL Listing / CSA Certifications and BURNDY will not be liable for the connection.

C-75

Catalog Number	Conductor		Bolt Hole Size	Stud Hole Spacing	Tongue Width	Figure Dimensions			Dieless (# of Crimps)	▲ Installation Tooling				Wire Strip Length		
	AWG/ KCMIL	MM² ***				(B)	(T)	(L)		Mech.		Hydraulic			Color Code	Die Index
										MD6, OUR840, MD7-34R	BCT500, Y500CT	Y35, Y39, Y750, Y46*, PAT1750				
YAZV262TC14FX	2/0 AWG	70	1/4	5/8	0.93	1.50	0.13	3.20	MY29-11 (2) Y / PAT644 (1) Y / PAT81KFT (2)	W26VT (4) W26RT (4) X26RT (4)	W26VT (4) W26RT (4) X26RT (4)	U26RT (2)	Black	13	1-9/16	
YAZV262TC14E2FX	2/0 Flex		1/4	3/4	0.93	1.50	0.13	3.32								
YAZV262TC38E6FX	G,H,I,K,M		3/8	.88	0.93	1.50	0.13	3.68								
YAZV262TC38FX	DLO		3/8	1	0.93	1.50	0.13	3.76								
YAZV262NTCFX	(325/24)		1/2	1-3/4	0.93	1.50	0.13	4.95								
YAZV272TC14E2FX	3/0 AWG	95	1/4	3/4	1.03	1.50	0.14	3.36	MY29-11 (2) Y / PAT644 (1) Y / PAT81KFT (2)	W27VT (4) W27RT (4) X27RT (4)	W27VT (4) W27RT (4) X27RT (4)	U27RT (2)	Orange	14	1-9/16	
YAZV272TC38FX	3/0 Flex G,H,I,K,M DLO (450/24)		3/8	1	1.03	1.50	0.14	3.80								
YAZV282TC14E2FX	4/0 AWG	120	1/4	3/4	1.14	1.62	0.15	3.52	MY29-11 (2) Y / PAT644 (1) Y / PAT81KFT (2)	W28VT (4) W28RT (4) X28RT (6)	W28VT (4) W28RT (4) X28RT (6)	U28RT (2)	Purple	15	1-11/16	
YAZV282TC38FX	4/0 Flex G,H,I,K,M DLO (550/24)		3/8	1	1.14	1.62	0.15	3.96								
YAZV282NTCFX	DLO (550/24)		1/2	1-3/4	1.14	1.62	0.15	4.93								
YAZV292NT516FX	250 kcmil 4/0 Flex G,H,I,K,M DLO (550/24)	—	5/16	1-3/4	0.96	2.00	0.16	4.62	Y / PAT644 (1) Y / PAT81KFT (2)	W29VT (4) X29RT (8)	W29RT (4) W29VT (4) X29RT (8)	U29RT (2)	Yellow	16	2-1/16	
YAZ302TC38FX	250 kcmil G,H	—	3/8	1	1.20	2.00	0.16	4.42	Y / PAT644 (1) Y / PAT81KFT (2)	W29VT (4) X29RT (8)	W29RT (4) W29VT (4) X29RT (8)	U29RT (2)	Yellow	16	2-1/16	
YAZ312TC14E2FX	250 kcmil	150	1/4	3/4	1.29	2.00	0.18	4.02	Y / PAT644 (1) Y / PAT81KFT (2)	W30VT (4)	W30VT (4) W30RT (4)	U30RT (4)	White	17 or 298	2-1/16	
YAZ312TC38FX	1,K,M		3/8	1	1.29	2.00	0.18	4.45								
YAZ312NTCFX	DLO 262 (650/24)		1/2	1.75	1.29	2.00	0.18	5.64								
YAZ322TC38FX	300 kcmil G,H,I,K,M DLO 313 (775/24)	185	3/8	1	1.40	2.12	0.19	4.62	Y / PAT644 (1) Y / PAT81KFT (2)	W31VT (4)	W31VT (4) W31RT (4)	U31RT (4)	Red	18 or 324	2-3/16	
YAZ342TC14E2FX	350 kcmil	240	1/4	3/4	1.55	2.25	0.23	4.42	Y / PAT644 (1) Y / PAT81KFT (2)	W32VT (4)	W32VT (4) W32RT (4)	U32RT (4)	Blue	19 or 470	2-5/16	
YAZ342TC38FX	G,H,I,K,M		3/8	1	1.55	2.25	0.23	4.85								
YAZ342NT38FX	DLO 373 (925/24)		3/8	1	0.96	2.25	0.23	4.85								
YAZ342NTCFX	DLO 373 (925/24)		1/2	1-3/4	1.55	2.25	0.23	6.04								
YAZ362TC38FX	500 kcmil G,H DLO 444 (110/24)	—	3/8	1	1.74	2.69	0.27	5.55	Y / PAT644 (1) Y / PAT81KFT (2)	—	—	U34RT (4)	Brown	20 or 299	2-3/4	

* Use PUADP-1 adapter with U dies in Y46 HYPRESS™
 ** The MM² conductor size referenced here is for both Class 2 and Class 5 conductor
 *** The MM² conductor sizes listed are the recommendations for Class 5 conductor

▲ See tooling section of this catalog for complete tool and die listings. Use ONLY color-coded die recommendations for -FX connectors. For nest/indenter system contact factory

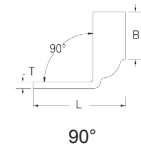
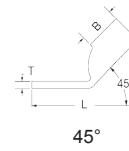
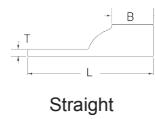
♦ For applications greater than 2000 Volts consult cable manufacturer for voltage stress relief instructions
Note: All dimensions shown are for reference only.

Compression Connections

BURNDY®

Copper Compression — Flex — Long Barrel — Inspection Window

TWO HOLE HYLUG™ FLEX CONDUCTOR LONG BARREL WITH INSPECTION WINDOW (Continued)



NOTE: Field bending straight lugs to achieve an angular connection will void UL Listing / CSA Certifications and BURNDY will not be liable for the connection.

UL Listed 90° C, Up to 35 kV ♦

C-76

Catalog Number	Conductor		Bolt Hole Size	Stud Hole Spacing	Tongue Width	Figure Dimensions			▲ Installation Tooling					Wire Strip Length	
	AWG/ KCMIL	MM ² ***				(B)	(T)	(L)	Dieless (# of Crimps)	Mech.	Hydraulic		Color Code		Die Index
										MD6, OUR840, MD7-34R	BCT500, Y500CT	Y35, Y39, Y750, Y46*, PAT750			
YAZ382NT38FX	500 kcmil H,I,K	300	3/8	1	1.62	2.81	0.27	5.72	Y / PAT644 (1) Y / PAT81KFT (2)	—	—	U38XRT (4)	Pink	L99	2-7/8
YAZ382TC38FX			3/8	1	1.84	2.81	0.27	5.72							
YAZ382NNTFX	550 KCMIL G,H,I		1/2	1-3/4	1.62	2.81	0.27	6.72							
YAZ382NTCFX	DLO 535 (325/24)		1/2	1-3/4	1.84	2.81	0.27	6.72							
YAZ402NTCFX	650 kcmil G DLO 646 (1600/24)	—	1/2	1-3/4	1.98	2.94	0.30	6.89	Y644HS (1) Y644MBH (1)	—	—	U39RT (4)	Black	24	3
YAZ442NT38FX	750 kcmil G,H DLO 777 (1925/24)	—	3/8	1	1.62	3.00	0.33	6.08	Y / PAT644 (1) Y / PAT81KFT (2)	—	—	U44XRT (4) •P44XRT (4)	Yellow	L115	3-1/16

* Use PUADP-1 adapter with U dies in Y46 HYPRESS™
 • P-RT dies for Y / PAT46 Tooling only
 ** The MM² conductor size referenced here is for both Class 2 and Class 5 conductor
 *** The MM² conductor sizes listed are the

recommendations for Class 5 conductor
 ▲ See tooling section of this catalog for complete tool and die listings. Use ONLY color-coded die recommendations for -FX connectors. For nest/indenter system contact factory

♦ For applications greater than 2000 Volts consult cable manufacturer for voltage stress relief instructions
 Note: All dimensions shown are for reference only.

**TWO HOLE HYLUG™
FLEX CONDUCTOR
LONG BARREL
BELLED END**

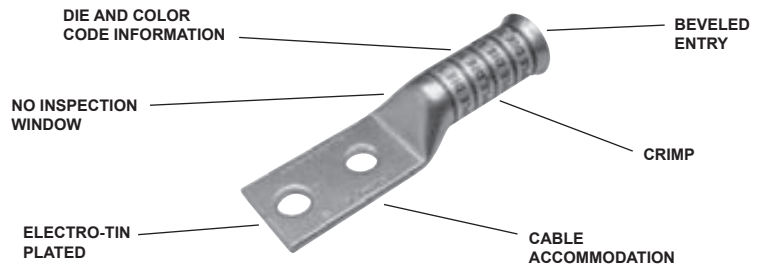
**TYPES YA-2TC-FXB,
YAV-2TC-FXB**

**COPPER COMPRESSION
TERMINAL**

UL Listed 90° C, Up to 35 kV ♦

45° and 90° angles are available.

Please contact Customer Service to order:
1-800-346-4175



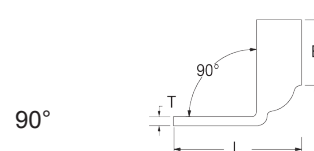
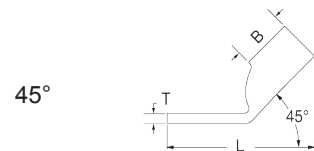
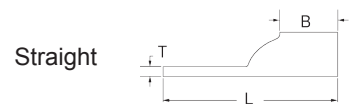
C-77



NOTE: Field bending straight lugs to achieve an angular connection will void UL Listing / CSA Certifications and BURNDY will not be liable for the connection.

Features & Benefits

- No inspection window is ideal for more corrosive environments as the barrel transition is not open
- Barrel is designed with a “belled” end opening at the wire entry, to ensure smooth insertion of highly flexible stranded wire, preventing possible damaging of the wire strands during insertion
- Long barrel allows for an increased number of crimps which will increase the mechanical strength of the connection
- Two hole tongue/tang is recommended when space permits as the 2-hole feature minimizes the terminations from loosening or rotating under vibration, movement, or heat cycling
- 45° and 90° angular lugs are available, please contact Customer Service
- Electro-tin plated unless otherwise specified to reduce galvanic corrosion (bimetallic) and resist corrosive elements
- Connectors are clearly marked with stamping and barrel color coding
- Connectors accommodating wire sizes #10 - 4/0 AWG accommodate both Flex and Code Wire. See Tables on each page for specific details
- Tables in this section identify flex wire as the nominal flex wire size followed by the wire classes and DLO wire size and stranding. For Class Wire Strand counts, see the table at the beginning of this section

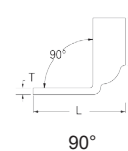
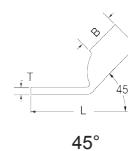
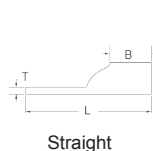


Compression Connections

BURNDY®

Copper Compression — Flex — Long Barrel — Belled End — No Inspection Window

TWO HOLE HYLUG™ FLEX CONDUCTOR LONG BARREL BELLED END (Continued)



C-78

UL Listed 90° C, Up to 35 kV ♦



NOTE: Field bending straight lugs to achieve an angular connection will void UL Listing / CSA Certifications and BURNDY will not be liable for the connection.

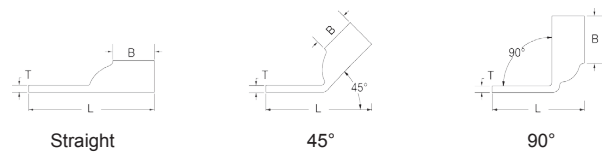
Catalog Number	Conductor		Stud Hole Size	Stud Hole Spacing	Tongue Width	Figure Dimensions			Dieless (# of crimps)	Installation Tooling				Wire Strip Length	
	AWG/ KCMIL	MM² ***				(B)	(T)	(L)		Mech.	Hydraulic		Color Code		Die Index
											MD6, OUR840, MD7-34R	BCT500, Y500CT			
YA8C2TC14E2-FXB	#8 AWG	**	1/4	3/4"	0.44	0.90	0.08	2.54	Y8MRB-1 (2) Y1MRTC (2) MY29-11 (2) Y/PAT81KFT (1)	W8CRT (2) W8CVT (2) X8CRT (2)	W8CVT (2) W8CRT (2) X8CRT (2)	U8CRT (2)	Red	49	1
YA8C2TC38-FXB	#8 Flex G,H,I,K,M DLO (37/24) #6 Sol #8 Sol		3/8	1"	0.58	0.90	0.06	2.98							
YAV6C2TC14E2-FXB	#6 AWG	**	1/4	3/4"	0.48	1.22	0.08	2.88	Y122CMR (2) Y1MRTC (2) MY29-11 (2) Y/PAT644 (1) Y/PAT81KFT (1)	W5CVT (2) W5CRT (2) X5CRT (2)	W5CVT (2) W5CRT (2) X5CRT (2)	U5CRT (2)	Blue	7	1-5/16
YAV6C2TC14-FXB	#6 Flex		1/4	5/8"	0.48	1.22	0.08	2.76							
YAV6C2TC38-FXB	G,H,I,K,M DLO		3/8	1"	0.58	1.22	0.06	3.32							
YAV6C2N-FXB	(61/24)		1/2	1-3/4"	0.83	1.22	0.12	4.51							
YAV4C2TC14E2-FXB	#4 AWG	—	1/4	3/4"	0.55	1.22	0.09	2.93	Y122CMR (4) Y1MRTC (4) MY29-11 (2) Y/PAT644 (1) Y/PAT81KFT (1)	W4CVT (2) W4CRT (2) X4CRT (2)	W4CVT (2) W4CRT (2) X4CRT (2)	U4CRT (2)	Gray	8	1-5/16
YAV4C2TC14-FXB	#4 Flex		1/4	5/8"	0.55	1.22	0.09	2.81							
YAV4C2TC516-FXB	G,H,I,K,M DLO		5/16	1"	0.55	1.22	0.09	3.24							
YAV4C2TC38-FXB	(105/24)		3/8	1"	0.58	1.22	0.09	3.37							
YAV4C2N-FXB	(105/24)		1/2	1-3/4"	0.83	1.22	0.12	4.56							
YA3C2TC516-FXB	#3 AWG		—	5/16	1"	0.55	1.48	0.09							
YA3C2TC38-FXB	#3 Flex G,H,I,K,M DLO	3/8		1"	0.58	1.48	0.09	3.64							
YAV3C2NFXB	(125/24)	1/2		1.75"	0.83	1.48	0.12	4.83							
YAV2C2TC14E1-FXB	#2 AWG	35	1/4	1"	0.68	1.35	0.10	3.38	MY29-11 (2) Y/PAT644 (1) Y/PAT81KFT (1)	W2CVT (2) W2CRT (2) X2CRT (2)	W2CVT (2) W2CRT (2) X2CRT (2)	U2CRT (2)	Brown	10	1-7/16
YAV2C2TC14E2-FXB	#2 Flex		1/4	3/4"	0.68	1.35	0.10	3.13							
YAV2C2TC14-FXB	G,H,I,K,M DLO		1/4	5/8"	0.68	1.35	0.10	3.00							
YAV2C2TC38-FXB	(150/24)		3/8	1"	0.68	1.35	0.10	3.57							
YAV2C2TC516-FXB	(150/24)		5/16	1"	0.68	1.35	0.10	3.44							
YAV2C2N-FXB	(150/24)		1/2	1-3/4"	0.83	1.35	0.12	4.76							
YAV1C2TC38-FXB	#1 AWG	—	3/8	1"	0.75	1.50	0.12	3.74	MY29-11 (2) Y/PAT644 (1) Y/PAT81KFT (1)	W1CVT (2) W1CRT-1 X1CRT-1 (2)	W1CVT (2) W1CRT-1 (2) X1CRT-1 (2)	U1CRT-1 (2)	Green	11	1-9/16
YAV1C2N-FXB	#1 Flex G,H,I,K,M DLO		1/2	1-3/4"	0.83	1.50	0.11	4.92							
YAV252TC14E2-FXB	1/0 AWG	50	1/4	3/4"	0.83	1.50	0.12	3.34	MY29-11 (2) Y/PAT644 (1) Y/PAT81KFT (2)	W25RT (4) W25VT (4) X25RT (4)	W25RT (4) W25VT (4) X25RT (4)	U25RT (2)	Pink	12	1-9/16
YAV252TC14-FXB	1/0 Flex		1/4	5/8"	0.83	1.50	0.12	3.21							
YAV252TC38-FXB	G,H,I,K,M DLO		3/8	1"	0.83	1.50	0.12	3.78							
YAV262TC14E2-FXB	2/0 AWG	70	1/4	3/4"	0.93	1.63	0.13	3.52	MY29-11 (2) Y/PAT644 (1) Y/PAT81KFT (2)	W26RT (4) W26VT (4) X26RT (4)	W26RT (4) W26VT (4) X26RT (4)	U26RT (2)	Black	13	1-13/16
YAV262TC14-FXB	2/0 Flex		1/4	5/8"	0.93	1.63	0.13	3.40							
YAV262NTC38-FXB	G,H,I,K,M DLO		3/8	1-3/4"	0.93	1.63	0.13	4.71							
YAV262TC38-FXB	(325/24)		3/8	1"	0.93	1.63	0.13	3.96							
YAV262N-FXB	(325/24)		1/2	1-3/4"	0.93	1.63	0.13	5.15							

Consult cable manufacturers for stress relief instructions
 ♦ For applications greater than 2000 Volts consult cable manufacturer for voltage stress relief instructions
 * Use PUADP-1 adaptor with U dies in Y46 HYPRESS™
 ** The MM² conductor sizes referenced here are for both Class 2 and Class 5 conductors

*** The MM² conductor sizes listed are the recommendations for Class 5 conductor
 ‡ P-RT die sets for use in Y46 HYPRESS™ only, PUADP adapter not required
 Note: All dimensions shown are for reference only.

▲ See tooling section of this catalog for complete tool and die listings. Use ONLY color-coded die recommendations for -FX connectors

**TWO HOLE HYLUG™
FLEX CONDUCTOR
LONG BARREL
BELLED END
(Continued)**



UL Listed 90° C, Up to 35 kV ♦



NOTE: Field bending straight lugs to achieve an angular connection will void UL Listing / CSA Certifications and BURNDY will not be liable for the connection.

C-79

Catalog Number	Conductor		Stud Hole Size	Stud Hole Spacing	Tongue Width	Figure Dimensions			Dieless (# of crimps)	Installation Tooling				Wire Strip Length	
	AWG/ KCMIL	MM² ***				(B)	(T)	(L)		Mech.	Hydraulic		Color Code		Die Index
											MD6, OUR840, MD7-34R	BCT500, Y500CT			
YAV272TC14E2-FXB	3/0 AWG	95	1/4	3/4"	1.03	1.64	0.14	3.58	MY29-11 (2) Y / PAT644 (1) Y / PAT81KFT (2)	W27RT (4) W27VT (4) X27RT (4)	W27RT (4) W27VT (4) X27RT (4)	U27RT (2)	Orange	14	1-13/16
YAV272TC38-FXB	3/0 Flex		3/8	1"	1.03	1.64	0.14	4.01							
YAV272N-FXB	G,H,I,K,M DLO (450/24)		1/2	1-3/4"	1.03	1.64	0.14	5.20							
YAV282TC14E2-FXB	4/0 AWG	**	1/4	3/4"	1.14	1.77	0.14	3.76	MY29-11 (2) Y / PAT644 (1) Y / PAT81KFT (2)	W28RT (4) W28VT (4) X28RT (6)	W28RT (4) W28VT (4) X28RT (6)	U28RT (2)	Purple	15	1-7/8
YAV282TC38-FXB	4/0 Flex	120	3/8	1"	1.14	1.77	0.14	4.20							
YAV282NT38-FXB	G,H,I,K,M DLO (550/24)	**	3/8	1"	1.14	1.77	0.14	4.20							
YAV282NTC38-FXB	G,H,I,K,M DLO (550/24)	120	3/8	1-3/4"	1.14	1.77	0.14	4.20	MY29-11 (2) Y / PAT644 (1) Y / PAT81KFT (2)	W28RT (4) W28VT (4) X28RT (6)	W28RT (4) W28VT (4) X28RT (6)	U28RT (2)	Purple	15	1-7/8
YAV282N-FXB	G,H,I,K,M DLO (550/24)	120	1/2	1-3/4"	1.14	1.77	0.14	5.39							
YAV292TC14E2-FXB	250 kcmil	—	1/4	3/4"	1.18	2.16	0.16	4.19							
YAV292TC38-FXB	4/0 Flex		3/8	1"	1.18	2.16	0.16	3.62							
YAV292NT38-FXB	G,H,I,K,M DLO (550/24)		3/8	1"	0.75	2.16	0.16	5.54							
YAV292NTC38-FXB	G,H,I,K,M DLO (550/24)	—	3/8	1-3/4"	1.18	2.16	0.16	5.37	Y / PAT644 (1) Y / PAT81KFT (2)	W29VT (4) X29RT (6)	W29RT (4) W29VT (4) X29RT (6)	U29RT (2)	Yellow	16	2-1/4
YAV292N-FXB	G,H,I,K,M DLO (550/24)	—	1/2	1-3/4"	1.18	2.16	0.16	5.81							
YA302N-FXB	250 kcmil G,H	—	1/2	1-3/4"	1.20	2.16	0.16	5.80							
YA312TC38-FXB	250 kcmil 4/0 Flex	150	3/8	1"	1.29	2.18	0.18	4.66	Y / PAT644 (1) Y / PAT81KFT (2)	W30VT (4)	W30RT (4) W30VT (4)	U30RT (4)	White	17	2-1/4
YA312N-FXB	G,H,I,K,M DLO (550/24)		1/2	1-3/4"	1.29	2.18	0.18	5.85							
YA322TC38-FXB	300 kcmil G,H,I,K,M DLO 313 (775/24)	185	3/8	1"	1.40	2.32	0.19	4.85	Y / PAT644 (1) Y / PAT81KFT (2)	W31VT (4)	W31RT (4) W31VT (4)	U31RT (4)	Red	18	2-1/4
YA322N-FXB	G,H,I,K,M DLO 313 (775/24)		1/2	1-3/4"	1.40	2.32	0.19	6.04							
YA342TC38-FXB	350 kcmil G,H,I,K,M DLO 373 (925/24)	240	3/8	1"	1.55	2.48	0.23	5.10	Y / PAT644 (1) Y / PAT81KFT (2)	W32VT (4)	W32RT (4) W32VT (4)	U32RT (4)	Blue	19	2-9/16
YA342N-FXB	G,H,I,K,M DLO 373 (925/24)		1/2	1-3/4"	1.55	2.48	0.23	6.29							

Consult cable manufacturers for stress relief instructions
 ♦ For applications greater than 2000 Volts consult cable manufacturer for voltage stress relief instructions
 * Use PUADP-1 adaptor with U dies in Y46 HYPRESS™
 ** The MM² conductor sizes referenced here are for both

Class 2 and Class 5 conductors
 *** The MM² conductor sizes listed are the recommendations for Class 5 conductor
 ‡ P-RT die sets for use in Y46 HYPRESS™ only, PUADP adapter not required

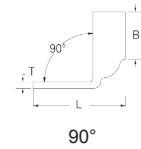
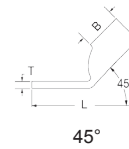
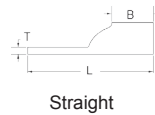
Note: All dimensions shown are for reference only.
 ▲ See tooling section of this catalog for complete tool and die listings. Use ONLY color-coded die recommendations for -FX connectors

Compression Connections

BURNDY®

Copper Compression — Flex — Long Barrel — Belled End — No Inspection Window

TWO HOLE HYLUG™ FLEX CONDUCTOR LONG BARREL BELLED END (Continued)



C-80

UL Listed 90° C, Up to 35 kV ♦



NOTE: Field bending straight lugs to achieve an angular connection will void UL Listing / CSA Certifications and BURNDY will not be liable for the connection.

Catalog Number	Conductor		Stud Hole Size	Stud Hole Spacing	Tongue Width	Figure Dimensions			Dieless (# of crimps)	Installation Tooling				Wire Strip Length			
	AWG/ KCMIL	MM ² ***				(B)	(T)	(L)		Mech.	Hydraulic		Color Code		Die Index		
											MD6, OUR840, MD7-34R	BCT500, Y500CT				Y35, Y39, Y750, Y46*, PAT750	
YA362NFXB	500 kcmil G,H DLO 444 (110/24)	300	1/2	1-3/4"	1.73	2.95	0.26	6.84	Y / PAT644 (1) Y / PAT81KFT (2)	—	—	U34RT (4)	Brown	20	3-1/16		
YA382N-FXB	500 kcmil H,I,K	300	1/2	1-3/4"	1.84	3.08	0.26	7.01				U38XRT (4)	—	—	Pink	L99	3-3/16
YA382-FXBG2	550 kcmil G,H,I		1/2	2"	1.84	3.08	0.27	6.82									
YA382-FXBG3	DLO 535 (325/24)		1/2	1-3/16	1.84	3.08	0.27	6.26									
YA382TC38-FXB	550 kcmil G,H,I DLO 535 (325/24)	300	3/8	1"	1.84	3.08	0.26	6.01	Y / PAT644 (1) Y / PAT81KFT (3)	—	—	U39RT (4)	Black	24	3-5/16		
YA402N-FXB	650 kcmil G DLO 646 (1600/24)	400	1/2	1-3/4"	1.98	3.24	0.30	7.22				U44XRT (4) +P44XRT (4)	—	—	Yellow	L115	3-7/16
YA442TC38-FXB	750 kcmil G,H DLO 777 (1925/24)	500	3/8	1"	2.19	3.33	0.33	6.44									
YA442N-FXB	750 kcmil G,H DLO 777 (1925/24)	500	1/2	1-3/4"	2.19	3.33	0.33	7.44	—	—	—	—	—	29	3-11/16		
YA462N-FXB	1111 kcmil DLO (2750/24)	—	1/2	1-3/4"	2.69	3.58	0.39	7.91								+P45RT (4)**	

Consult cable manufacturers for stress relief instructions

♦ For applications greater than 2000 Volts consult cable manufacturer for voltage stress relief instructions

* Use PUADP-1 adaptor with U dies in Y46 HYPRESS™

• P-RT dies for Y / PAT46 Tooling only

** The MM² conductor sizes referenced here are for both

Class 2 and Class 5 conductors

*** The MM² conductor sizes listed are the recommendations for Class 5 conductor

Note: All dimensions shown are for reference only.

▲ See tooling section of this catalog for complete tool and die listings. Use ONLY color-coded die recommendations for -FX connectors

**TWO HOLE HYLUG™
FLEX CONDUCTOR
LONG BARREL
NARROW TONGUE**

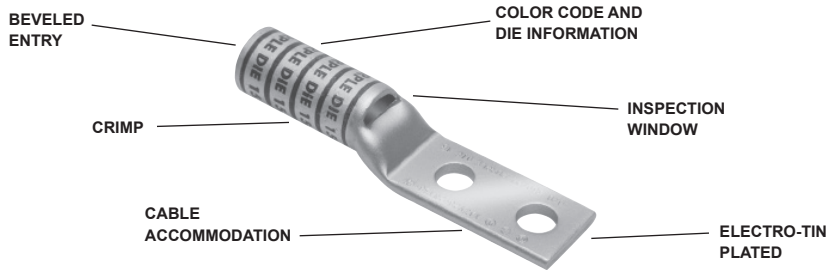
**TYPES YAZ-2-NTFX,
YAZV-2NTFX**

**COPPER COMPRESSION
NARROW TONGUE TERMINAL**

UL Listed 90° C, Up to 35 kV ♦

45° and 90° angles are available.

Please contact Customer Service to order:
1-800-346-4175



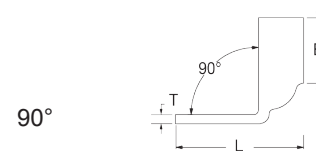
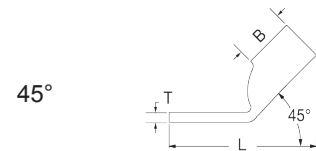
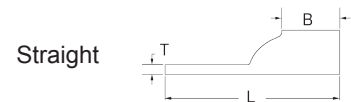
C-81



NOTE: Field bending straight lugs to achieve an angular connection will void UL Listing / CSA Certifications and BURNDY will not be liable for the connection.

Features & Benefits

- Inspection window allows for visual verification that the wire has been fully inserted prior to crimping the lug
- Narrow tongue/tang is designed to allow for more parallel terminations of wire in limited space applications
- Barrel is designed with an internal chamfer at the wire entry to ensure smooth insertion of the wire, preventing possible damaging of the wire strands during insertion
- Long barrel allows for an increased number of crimps which will increase the mechanical strength of the connection
- Two hole tongue/tang is recommended when space permits as the 2-hole feature minimizes the terminations from loosening or rotating under vibration, movement, or heat cycling
- 45° and 90° angular lugs are available, please contact Customer Service
- Electro-tin plated unless otherwise specified to reduce galvanic corrosion (bimetallic) and resist corrosive elements
- Connectors are clearly marked with stamping and barrel color coding
- Connectors accommodating wire sizes #10 - 4/0 AWG accommodate both Flex and Code Wire. See Tables on each page for specific details
- Tables in this section identify flex wire as the nominal flex wire size followed by the wire classes and DLO wire size and stranding. For Class Wire Strand counts, see the table at the beginning of this section

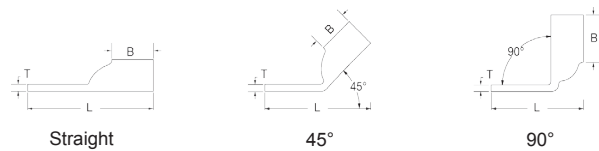


Compression Connections

BURNDY®

Copper Compression — Flex — Long Barrel — Narrow Tongue

TWO HOLE HYLUG™ FLEX CONDUCTOR LONG BARREL NARROW TONGUE



C-82

(Continued)

UL Listed 90° C, Up to 35 kV ♦



NOTE: Field bending straight lugs to achieve an angular connection will void UL Listing / CSA Certifications and BURNDY will not be liable for the connection.

Catalog Number	Stud Hole Size		Stud Hole Size	Stud Hole Spacing	Tongue Width	Figure Dimensions			Dieless (# of crimps)	▲ Installation Tooling				Wire Strip Length	
	AWG/ KCMIL	MM²				(B)	(T)	(L)		Mech. MD6, OUR840, MD7-34R	Hydraulic		Color Code		Die Index
											BCT500, Y500CT	Y35, Y39, Y750, Y46*, PAT750			
YAZV4C2NT14E2FX	#4 AWG #4 Flex G,H,I,K,M DLO (105/24)	—	1/4	0.75	0.44	1.25	0.09	2.95	Y122CMR (4) Y1MRTC (4) MY29-11 (4) Y / PAT644 (1) Y / PAT81KFT (1)	W4CVT (2) W4CRT (2) X4CRT (2)	W4CVT (2) W4CRT (2) X4CRT (2)	U4CRT (2)	Gray	8	1-5/16
YAZV2C2NT14E2FX	#2 AWG #2 Flex G,H,I,K,M DLO (150/24)	35	1/4	0.75	0.50	1.38	0.10	3.14	Y122CMR (4) Y1MRTC (4) MY29-11 (2) Y / PAT644 (1) Y / PAT81KFT (1)	W2CVT (2) W2CRT (2) X2CRT (2)	W2CVT (2) W2CRT (2) X2CRT (2)	U2CRT (2)	Brown	10	1-7/16
YAZV252NT14FX	1/0 AWG 1/0 Flex G,H,I,K,M DLO (275/24)	—	1/4	.62	0.48	1.50	0.12	3.35	MY29-11 (2) Y / PAT644 (1) Y / PAT81KFT (2) Y / PAT4PC834 (2)	W25RT (4) X25RT (4) W25VT (4)	W25RT (4) X25RT (4) W25VT (4)	U25RT (2)	Pink	12 or 348	1-9/16
YAZV282NT38FX	4/0 AWG 4/0 Flex G,H,I,K,M DLO (550/24)	—	3/8	1.00	0.94	1.62	0.17	3.96	MY29-11 (2) Y / PAT644 (1) Y / PAT81KFT (2)	W28VT (4) W28RT (4) X28RT (6)	W28VT (4) W28RT (4) X28RT (6)	U28RT (2)	Purple	15	1-11/16
YAZV292NT516FX	250 kcmil 4/0 Flex G,H,I,K,M DLO (550/24)	—	5/16	1.00	0.96	2.00	0.16	4.28	Y / PAT644 (1) Y / PAT81KFT (2)	W29VT (4) X29RT (8)	W29RT (4) W29VT (4) X29RT (8)	U29RT (2)	Yellow	16	2-1/16
YAZ342NT38FX	350 kcmil G,H,I,K,M DLO 373 (925/24)	240	3/8	1.00	0.96	2.25	0.23	4.85	Y / PAT644 (1) Y / PAT81KFT (2)	W32VT (4)	W32VT (4) W32RT (4)	U32RT (4)	Blue	19	2-5/16
YAZ382ENT38FX	500 kcmil H,I,K	300	3/8	1.00	1.46	2.81	0.27	5.72	Y / PAT644 (1) Y / PAT81KFT (2)	—	—	U38XRT (4)	Pink	L99	2-7/8
YAZ382NT38FX	550 kcmil G,H,I DLO 535 (325/24)		3/8	1.00	1.62	2.81	0.27	5.72							
YAZ382NNTFX	750 kcmil G,H DLO 777 (1925/24)		1/2	1.75	1.62	2.81	0.27	6.72							
YAZ442NT38FX	750 kcmil G,H DLO 777 (1925/24)	500	3/8	1.00	1.62	3.00	0.33	6.09	Y / PAT644 (1) Y / PAT81KFT (2)	—	—	U44XRT (4) •P44XRT (4)	Yellow	L115	3-1/16

Consult cable manufacturers for stress relief instructions

♦ For applications greater than 2000 Volts consult cable manufacturer for voltage stress relief instructions

*** The MM² conductor sizes listed are the recommendations for Class 5 conductor.

* Use PUADP-1 adaptor with U dies in Y46 HYPRESS™

• P-RT dies for Y / PAT46 Tooling only

▲ See tooling section of this catalog for complete tool and die listings. Use ONLY color-coded die recommendations for -FX connectors

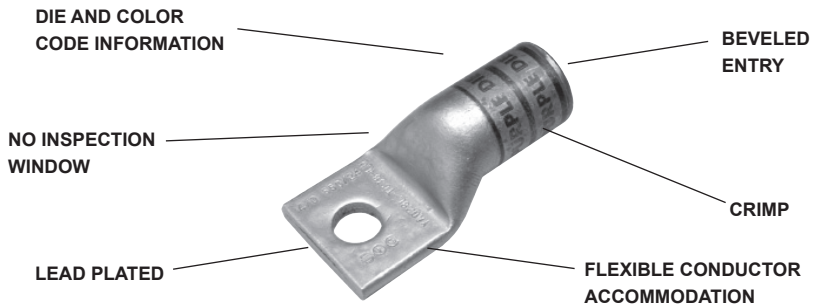
Note: All dimensions shown are for reference only.

**ONE HOLE HYLUG™
FLEX CONDUCTOR
STANDARD BARREL
LEAD PLATED**

TYPE YAG-L-TC-LD

UL Listed 90° C, Up to 35 kV ♦

45° and 90° angles are available.
Please contact Customer Service to order:
1-800-346-4175



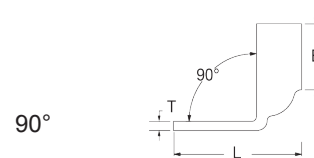
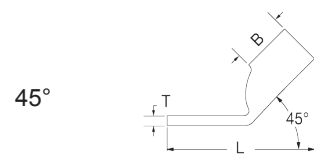
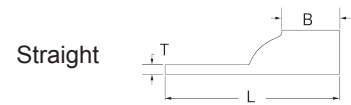
C-83



NOTE: Field bending straight lugs to achieve an angular connection will void UL Listing / CSA Certifications and BURNDY will not be liable for the connection.

Features & Benefits

- No inspection window is ideal for more corrosive environments as the barrel transition is not open
- Barrel is designed with an internal chamfer at the wire entry to ensure smooth insertion of the wire, preventing possible damaging of the wire strands during insertion
- Short/Standard length barrel is recommended for installations with limited space requirements
- 45° and 90° angular lugs are available, please contact Customer Service
- Lead plated for battery connectors or other heavy duty equipment, to reduce the corrosion from lead/acid batteries
- Connectors are clearly marked with stamping and the barrel color coding
- Connectors accommodating wire sizes #10 - 4/0 AWG accommodate both Flex and Code Wire. See Tables on each page for specific details

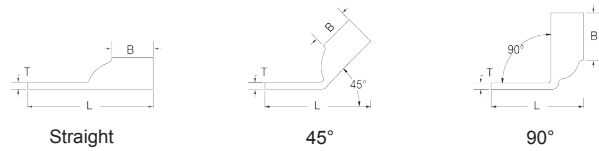


Compression Connections

BURNDY®

Copper Compression — Flex — Lead Plated — No Inspection Window

ONE HOLE HYLUG™ FLEX CONDUCTOR STANDARD BARREL LEAD PLATED



C-84

(Continued)

UL Listed 90° C, Up to 35 kV ♦



NOTE: Field bending straight lugs to achieve an angular connection will void UL Listing / CSA Certifications and BURNDY will not be liable for the connection.

Catalog Number	Fig #	Conductor		Stud Hole Size	Tongue Width	Figure Dimensions			Dieless (# of crimps)	Installation Tooling				Wire Strip Length	
		AWG/KCML	MM ² ***			(B)	(T)	(L)		Mech. MD6, OUR840, MD7-34R	Hydraulic		Color Code		Die Index
											BCT500, Y500CT	Y35, Y39, Y750 Y46*, PAT750			
YAG18TLC516LD	1	22-18 AWG	—	5/16	0.35	0.32	0.06	1.42	MR20 (1)	—	—	—	—	—	1/4
YAG8CLTC10LD	1	#8 AWG	**	#10	0.41	0.44	0.08	1.19	MY29-11 (1) Y122CMR (1) Y1MRTC (1) Y/PAT81KFT (1)	W8CVT (1) W8CRT (1) X8CRT (1)	W8CVT (1) W8CRT (1) X8CRT (1)	U8CRT (1)	Red	49	1/2
YAG8CLTC14LD		#8 Flex		1/4	0.44	0.44	0.08	1.32							
YAG8CLTC516LD		G,H,I,K,M DLO (37/24)		5/16	0.52	0.44	0.06	1.38							
YAG8CLTC38LD		#6 Sol		3/8	0.58	0.44	0.06	1.51							
YAG8CLTC12LD		#8 Sol		1/2	0.71	0.44	0.05	1.76							
YAG6CLTC10LD	1	#6 AWG	**	#10	0.48	0.50	0.08	1.30	Y1MRTC (1) MY29-11 (1) Y/PAT81KFT (1) Y/PAT644 (1)	W5CVT (1) W5CRT (1) X5CRT (1)	W5CVT (1) W5CRT (1) X5CRT (1)	U5CRT (1)	Blue	7	1/2
YAG6CLTC14LD		#6 Flex		1/4	0.48	0.50	0.08	1.43							
YAG6CLTC516LD		G,H,I,K,M DLO (61/24)		5/16	0.52	0.50	0.07	1.49							
YAG6CLTC38LD		#6 Sol		3/8	0.58	0.50	0.06	1.61							
YAG6CLTC12LD		#8 Sol		1/2	0.75	0.50	0.12	1.86							
YAG4CLTC10LD	1	#4 AWG	—	#10	0.55	0.50	0.09	1.36	Y122CMR (2) Y1MRTC (2) MY29-11 (1) Y/PAT81KFT (1) Y/PAT644 (1)	W4CVT (1) W4CRT (1) X4CRT (1)	W4CVT (1) W4CRT (1) X4CRT (1)	U4CRT (1)	Gray	8	1/2
YAG4CLNT10LD		#4 Flex		#10	0.41	0.50	0.09	1.36							
YAG4CLTC14LD		G,H,I,K,M DLO (105/24)		1/4	0.55	0.50	0.09	1.48							
YAG4CLTC516LD		#4 Sol		5/16	0.55	0.50	0.09	1.55							
YAG4CLTC38LD		#4 Sol		3/8	0.58	0.50	0.08	1.67							
YAG4CLTC12LD		#4 Sol		1/2	0.71	0.50	0.07	1.92							
YAG2CLTC10LD	1	#2 AWG	35	#10	0.68	0.63	0.10	1.52	Y122CMR (2) Y1MRTC (2) MY29-11 (1) Y/PAT81KFT (1) Y/PAT644 (1)	W2CRT (1) W2CVT (1) X2CRT (1)	W2CRT (1) W2CVT (1) X2CRT (1)	U2CRT (1)	Brown	10	11/16
YAG2CLTC14LD		#2 Flex		1/4	0.68	0.63	0.10	1.64							
YAG2CLTC516LD		G,H,I,K,M DLO (150/24)		5/16	0.68	0.63	0.10	1.70							
YAG2CLTC38LD		#2 Sol		3/8	0.68	0.63	0.10	1.83							
YAG2CLTC12LD		#2 Sol		1/2	0.73	0.63	0.09	2.12							
YAG1CLTC10LD	1	#1 AWG	—	#10	0.75	0.69	0.12	1.54	MY29-11 (1) Y/PAT81KFT (1)	W1CVT (1) W1CRT1 (1) X1CRT1 (1)	W1CVT (1) W1CRT1 (1) X1CRT1 (1)	U1CRT1 (1)	Green	11	11/16
YAG1CLTC14LD		#1 Flex		1/4	0.75	0.69	0.12	1.67							
YAG1CLTC516LD		G,H,I,L,M DLO (225/24)		5/16	0.75	0.69	0.12	1.73							
YAG1CLTC38LD		#1 Sol		3/8	0.75	0.69	0.12	1.86							
YAG1CLTC12LD	#1 Sol	1/2	0.75	0.69	0.12	2.11									
YAG25LTC14LD	1	1/0 AWG	50	1/4	0.83	0.69	0.12	1.77	MY29-11 (1) Y/PAT81KFT (1)	W25RT (2) W25VT (2) X25RT (2)	W25RT (2) W25VT (2) X25RT (2)	U25RT (1)	Pink	12	11/16
YAG25LTC516LD		1/0 Flex		5/16	0.83	0.69	0.12	1.84							
YAG25LTC38LD		G,H,I,K,M DLO (275/24)		3/8	0.83	0.69	0.12	1.96							
YAG25LTC12LD		1/0 Sol		1/2	0.83	0.69	0.12	2.21							

* Use PUADP-1 adapter with U dies in Y46 HYPRESS™

*** The MM² conductor sizes listed are the recommendations for Class 5 conductor.

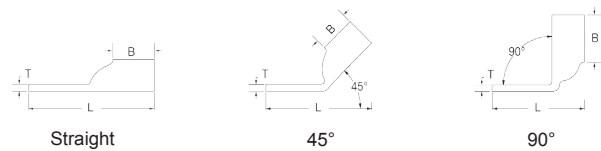
▲ See tooling section of this catalog for complete tool and die listings.

† Alternate Tooling includes Y8MRB-1, MY29-11

♦ For applications greater than 2000 Volts consult cable manufacturer for voltage stress relief instructions.

Note: All dimensions shown are for reference only.

**ONE HOLE HYLUG™
FLEX CONDUCTOR
STANDARD BARREL
LEAD PLATED
(Continued)**



C-85

UL Listed 90° C, Up to 35 kV ♦



NOTE: Field bending straight lugs to achieve an angular connection will void UL Listing / CSA Certifications and BURNDY will not be liable for the connection.

Catalog Number	Fig #	Conductor		Stud Hole Size	Tongue Width	Figure Dimensions			Dieless (# of crimps)	Installation Tooling				Wire Strip Length	
		AWG/ KCMIL	MM ² ***			(B)	(T)	(L)		Mech. MD6, OUR840, MD7-34R	Hydraulic		Color Code		Die Index
											BCT500, Y500CT	Y35, Y39, Y750 Y46*, PAT750			
YAG26LTC10LD	1	2/0 AWG 2/0 Flex G,H,I,K,M DLO (325/24)	70	#10	0.93	0.81	0.13	1.82	MY29-11 (1) Y / PAT644 (1) Y / PAT81KFT (1)	W26VT (2) W26RT (2) X26RT (2)	W26VT (2) W26RT (2) X26RT (2)	U26RT (1)	Black	13	13/16
YAG26LTC14LD				1/4	0.93	0.81	0.13	1.95							
YAG26LTC516LD				5/16	0.93	0.81	0.13	2.01							
YAG26LTC38LD				3/8	0.93	0.81	0.13	2.13							
YAG26LTC12LD				1/2	0.93	0.81	0.13	2.38							
YAG26LTC58LD				5/8	0.93	0.81	0.13	2.63							
YAG26LTC34LD	3/4	0.93	0.81	0.11	2.89										
YAG27LTC10LD	1	3/0 AWG 3/0 Flex G,H,I,K,M DLO (450/24)	95	#10	1.03	1.00	0.14	2.05	MY29-11 (1) Y / PAT81KFT (1)	W27VT (2) X27RT (3) W27RT (2)	W27VT (2) X27RT (3) W27RT (2)	U27RT (1)	Orange	14	1
YAG27LTC14LD				1/4	1.03	1.00	0.14	2.18							
YAG27LTC516LD				5/16	1.03	1.00	0.14	2.24							
YAG27LTC38LD				3/8	1.03	1.00	0.14	2.37							
YAG27LTC12LD				1/2	1.03	1.00	0.14	2.62							
YAG28LTC14LD	1	4.0 AWG 4/0 Flex G,H,I,K,M DLO (550/24)	120	1/4	1.14	1.03	0.15	2.26	MY29-11 (1) Y / PAT644 (1) Y / PAT81KFT (1)	W28VT (2) X28RT (3) W28RT (2)	W28VT (2) X28RT (3) W28RT (2)	U28RT (1)	Purple	15	1-1/16
YAG28LTC516LD				5/16	1.14	1.03	0.15	2.32							
YAG28LTC516N66LD				5/16	1.14	1.03	0.15	2.64							
YAG28LTC38LD				3/8	1.14	1.03	0.15	2.45							
YAG28LTC12LD				1/2	1.14	1.03	0.15	2.70							
YAG28LTC58LD				5/8	1.14	1.03	0.15	2.95							
YAG29LTC516LD	1	250 kcmil 4/0 Flex G,H,I,K,M DLO (550/24)	—	5/16	1.18	1.03	0.16	2.33	Y / PAT644 (1) Y / PAT81KFT (1)	W29VT (2) X29RT (4)	W29VT (2) X29RT (4) W29RT (2)	U29RT (1)	Yellow	16	1-1/16
YAG29LTC38LD				3/8	1.18	1.03	0.16	2.45							
YAG29LTC12LD				1/2	1.18	1.03	0.16	2.70							
YAG29LTC34LD				3/4	1.18	1.03	0.16	3.14							
YAG30LTC58LD	1	250 kcmil G,H	—	5/8	1.20	1.03	0.16	2.97	Y / PAT644 (1) Y / PAT81KFT (1)	W29VT (2) X29RT (4)	W29VT (2) X29RT (4) W29RT (2)	U29RT (1)	Yellow	16	1-1/16
YAG30LTC34LD				3/4	1.20	1.03	0.16	3.16							
YAG31LTC14LD	1	250 kcmil I,K,M DLO 262 (650/24)	150	1/4	1.29	1.06	0.18	2.35	Y / PAT644 (1) Y / PAT81KFT (1)	W30VT (2)	W30VT (2) W30RT (2)	U30RT (2)	White	17	1-1/8
YAG31LTC516LD				5/16	1.29	1.06	0.18	2.41							
YAG31LTC38LD				3/8	1.29	1.06	0.18	2.53							
YAG31LTC12LD				1/2	1.29	1.06	0.18	2.78							
YAG31LNT12LD				1/2	0.96	1.06	0.18	2.78							
YAG31LTC58LD				5/8	1.29	1.06	0.18	3.03							
YAG31LTC34LD				3/4	1.29	1.06	0.18	3.22							
YAG32LTC38LD	1	300 kcmil G,H,I,K,M DLO 313 (775/24)	185	3/8	1.40	1.19	0.19	2.72	Y / PAT644H (1) Y / PAT81KFT (1)	W31VT (2)	W31VT (2) W31RT (2)	U31RT (2)	Red	18	1-1/4
YAG32LTC12LD				1/2	1.40	1.19	0.19	2.97							
YAG32LTC58LD				5/8	1.40	1.19	0.19	3.22							

* Use PUADP-1 adapter with U dies in Y46 HYPRESS™
 *** The MM² conductor sizes listed are the recommendations for Class 5 conductor.

▲ See tooling section of this catalog for complete tool and die listings.
 † Alternate Tooling includes Y8MRB-1, MY29-11

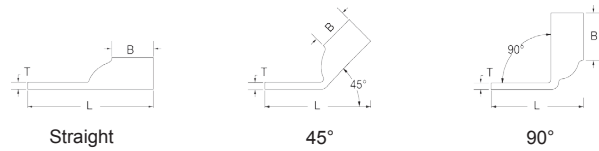
♦ For applications greater than 2000 Volts consult cable manufacturer for voltage stress relief instructions.
Note: All dimensions shown are for reference only.

Compression Connections

BURNDY®

Copper Compression — Flex — Lead Plated — No Inspection Window

ONE HOLE HYLUG™ FLEX CONDUCTOR STANDARD BARREL LEAD PLATED (Continued)



C-86

UL Listed 90° C, Up to 35 kV ♦



NOTE: Field bending straight lugs to achieve an angular connection will void UL Listing / CSA Certifications and BURNDY will not be liable for the connection.

Catalog Number	Fig #	Conductor		Stud Hole Size	Tongue Width	Figure Dimensions			Dieless (# of crimps)	Installation Tooling				Wire Strip Length	
		AWG/ KCML	MM² ***			(B)	(T)	(L)		Mech. MD6, OUR840, MD7-34R	Hydraulic		Color Code		Die Index
											BCT500, Y500CT	Y35, Y39, Y750 Y46*, PAT750			
YAG34LTC516LD	1	350 kcmil G,H,I,K,M DLO 373 (925/24)	240	5/16	1.55	1.27	0.23	2.78	Y / PAT644 (1) Y / PAT81KFT (1)	W32VT (2)	W32VT (2) W32RT (2)	U32RT (2)	Blue	19	1-5/16
YAG34LTC516N66LD				5/16	1.54	1.27	0.23	3.09							
YAG34LNT516N66LD				5/16	0.96	1.27	0.23	3.09							
YAG34LTC38LD				3/8	1.55	1.27	0.23	2.91							
YAG34LTC12LD				1/2	1.55	1.27	0.23	3.16							
YAG34LTC58LD				5/8	1.55	1.27	0.23	3.41							
YAG36LTC12LD	1	500 kcmil G,H DLO 444 (110/24)	—	1/2	1.73	1.38	0.27	3.34	Y / PAT644 (1) Y / PAT81KFT (1)	—	—	U34RT (2)	Brown	20	1-3/8
YAG36LTC58LD				5/8	1.73	1.38	0.27	3.59							
YAG38LTC516LD	1	500 kcmil H,I,K 550 kcmil G,H,I DLO 535 (325/24)	300	5/16	1.84	1.45	0.27	3.08	Y / PAT644 (1) Y / PAT81KFT (1)	—	—	U38XRT (2)	Pink	L99	1-7/16
YAG38LTC38LD				3/8	1.84	1.45	0.27	3.39							
YAG38LTC12LD				1/2	1.84	1.45	0.27	3.46							
YAG38LTC58LD				5/8	1.84	1.45	0.27	3.71							
YAG40LTC516LD	1	650 kcmil G DLO 646 (1600/24)	400	5/16	1.96	1.42	0.30	3.11	Y / PAT644 (1) Y / PAT81KFT (2)	—	—	U39RT (2)	Black	24	1-5/16
YAG40LTC38LD				3/8	1.96	1.42	0.30	3.42							
YAG40LTC12LD				1/2	1.96	1.42	0.30	3.48							
YAG40LTC58LD				5/8	1.96	1.42	0.30	3.73							
YAG44LTC12LD	1	750 kcmil G,H DLO 777 (1925/24)	500	1/2	2.18	1.65	0.33	3.85	Y / PAT644 (1) Y / PAT81KFT (2)	—	—	U44XRT (2) •P44XRT (2)	Yellow	L115	1-5/8
YAG44LTC58LD				5/8	2.18	1.65	0.33	4.10							

* Use PUADP-1 adapter with U dies in Y46 HYPRESS™

• P-RT dies for Y / PAT46 Tooling only

*** The MM² conductor sizes listed are the recommendations for Class 5 conductor.

▲ See tooling section of this catalog for complete tool and die listings.

† Alternate Tooling includes Y8MRB-1, MY29-11

♦ For applications greater than 2000 Volts consult cable manufacturer for voltage stress relief instructions.

Note: All dimensions shown are for reference only.

**TWO HOLE HYLUG™ FLEX
CONDUCTOR STANDARD
BARREL LEAD PLATED**

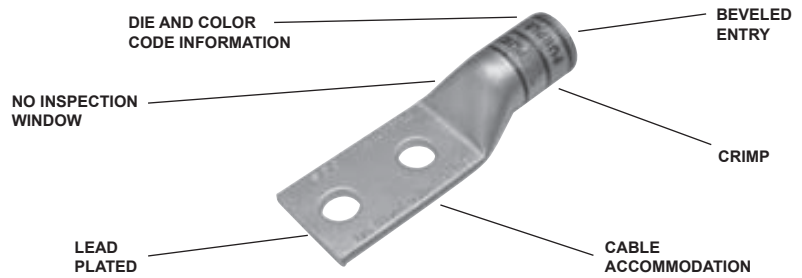
TYPE YAG-L-2TC-LD

**COPPER COMPRESSION
TERMINAL**

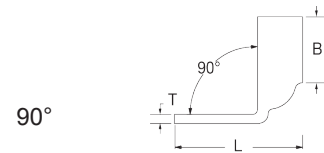
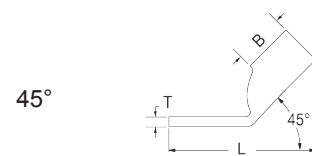
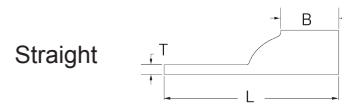
UL Listed 90° C, Up to 35 kV ♦



NOTE: Field bending straight lugs to achieve an angular connection will void UL Listing / CSA Certifications and BURNDY will not be liable for the connection.



C-87



Features & Benefits

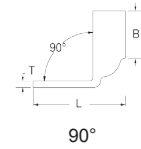
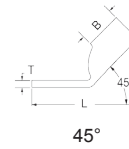
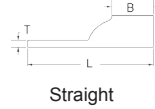
- No inspection window is ideal for more corrosive environments as the barrel transition is not open
- Barrel is designed with an internal chamfer at the wire entry to ensure smooth insertion of the wire, preventing possible damaging of the wire strands during insertion
- Short/Standard length barrel is recommended for installations with limited space requirements
- Two hole tongue/tang is recommended when space permits as the 2-hole feature minimizes the terminations from loosening or rotating under vibration, movement, or heat cycling
- 45° and 90° angular lugs are available; please contact Customer Service
- Electro-tin plated unless otherwise specified to reduce galvanic corrosion (bimetallic) and resist corrosive elements
- Lead plated for battery connectors or other heavy duty equipment, to reduce the corrosion from lead/acid batteries
- Connectors are clearly marked with stamping and barrel color coding
- Connectors accommodating wire sizes #10 - 4/0 AWG accommodate both Flex and Code Wire. See Tables on each page for specific details

Compression Connections

BURNDY®

Copper Compression — Flex — Lead Plated — No Inspection Window

TWO HOLE HYLUG™ FLEX CONDUCTOR STANDARD BARREL LEAD PLATED



C-88

(Continued)

UL Listed 90° C, Up to 35 kV ♦



NOTE: Field bending straight lugs to achieve an angular connection will void UL Listing / CSA Certifications and BURNDY will not be liable for the connection.

Catalog Number	Conductor		Stud Hole Size	Stud Hole Spacing	Tongue Width	Figure Dimensions			▲ Installation Tooling					Wire Strip Length		
	AWG/ KCMIL	MM² ***				(B)	(T)	(L)	Dieless (# of Crimps)	Mech.		Hydraulic			Color Code	Die Index
										MD6, OUR840, MD7-34R	BCT500, Y500CT	Y35, Y39, Y750, Y46*, PAT750				
YAG8CL-2TC10-LD	#8 AWG	10	#10	5/8	0.41	0.44	0.08	1.84	MRC840 (1) MY29-3 (1) MY29-11 (1) Y8MRB-1 (1) Y122CMR (1) Y1MRTC (1) Y/PAT81KFT (1)	W8CVT (1) W8CRT (1) X8CRT (1)	W8CVT (1) W8CRT (1) X8CRT (1)	U8CRT (1)	Red	49	7/16	
YAG8CL-2TC14-LD	#8 Flex		1/4	5/8	0.44	0.44	0.08	1.95								
YAG8CL-2TC14E2-LD	G,H,I,K,M		1/4	3/4	0.44	0.44	0.08	2.08								
YAG8CL-2TC14E1-LD	DLO (37/24)		1/4	1	0.44	0.44	0.08	2.33								
YAG8CL-2TC38-LD	#6 Sol #8 Sol		3/8	1	0.58	0.44	0.06	2.52								
YAG6CL-2TC10E-LD	#6 AWG #6 Flex G,H,I,K,M DLO (61/24)	16	#10	1/2	0.48	0.50	0.08	1.81	MY29-11 (1) Y122CMR (1) Y1MRTC (1) Y/PAT81KFT (1) Y/PAT644 (1)	W5CVT (1) W5CRT (1) X5CRT (1)	W5CVT (1) W5CRT (1) X5CRT (1)	U5CRT (1)	Blue	7	1/2	
YAG6CL-2TC10-LD			#10	5/8	0.45	0.50	0.08	1.94								
YAG6CL-2TC10E4-LD			#10	11/16	0.44	0.50	0.07	2.00								
YAG6CL-2TC10E2-LD			#10	3/4	0.48	0.50	0.08	2.06								
YAG6CL-2TC14-LD			1/4	5/8	0.48	0.50	0.08	2.06								
YAG6CL-2TC14E2-LD			1/4	3/4	0.48	0.50	0.08	2.18								
YAG6CL-2TC14E1-LD			1/4	1	0.48	0.50	0.08	2.44								
YAG6CL-2TC516-LD			5/16	1	0.52	0.50	0.07	2.50								
YAG6CL-2TC38-LD			3/8	1	0.58	0.50	0.06	2.62								
YAG6CL-2NTC-LD	1/2	1-3/4	0.83	0.50	0.12	3.81										
YAG4CL-2NT10-LD	#4 AWG #4 Flex G,H,I,K,M DLO (105/24)	—	#10	5/8	0.41	0.50	0.09	1.99	MY29-11 (1) Y122CMR (2) Y1MRTC (2) Y/PAT81KFT (1)	W4CVT (1) W4CRT (1) X4CRT (1)	W4CVT (1) W4CRT (1) X4CRT (1)	U4CRT (1)	Gray	8	1/2	
YAG4CL-2NT10E1-LD			#10	1	0.41	0.50	0.09	2.37								
YAG4CL-2TC14-LD			1/4	5/8	0.55	0.50	0.09	2.11								
YAG4CL-2TC14E2-LD			1/4	3/4	0.55	0.50	0.09	2.24								
YAG4CL-2TC14E1-LD			1/4	1	0.55	0.50	0.09	2.49								
YAG4CL-2TC516-LD			5/16	1	0.55	0.50	0.09	2.56								
YAG4CL-2TC38-LD			3/8	1	0.58	0.50	0.08	2.68								
YAG4CL-2NTC-LD			1/2	1-3/4	0.83	0.50	0.12	3.87								
YAG2CL-2TC14-LD	#2 AWG #2 Flex G,H,I,K,M DLO (150/24)	35	1/4	5/8	0.68	0.63	0.10	2.28	MY29-11 (1) Y122CMR (2) Y1MRTC (2) Y/PAT81KFT (1)	W2CVT (1) W2CRT (1) X2CRT (1)	W2CVT (1) W2CRT (1) X2CRT (1)	U2CRT (1)	Brown	10	11/16	
YAG2CL-2TC14E2-LD			1/4	3/4	0.68	0.63	0.10	2.40								
YAG2CL-2TC14E1-LD			1/4	1	0.68	0.63	0.10	2.63								
YAG2CL-2TC516-LD			5/16	1	0.68	0.63	0.10	2.71								
YAG2CL-2TC38-LD			3/8	1	0.68	0.63	0.10	2.84								
YAG2CL-2NTC-LD	1/2	1-3/4	0.83	0.63	0.08	4.03										
YAG1CL-2TC14-LD	#1 AWG #1 Flex G,H,I,K,M DLO (225/24)	—	1/4	5/8	0.75	0.62	0.12	2.30	MY29-11 (1) Y/PAT81KFT (1)	W1CVT (1) W1CRT1 (1) X1CRT1 (1)	W1CVT (1) W1CRT1 (1) X1CRT1 (1)	U1CRT1 (1)	Green	11	11/16	
YAG1CL-2TC14E2-LD			1/4	3/4	0.75	0.69	0.12	2.49								
YAG1CL-2TC14E1-LD			1/4	1	0.75	0.69	0.12	2.73								
YAG1CL-2TC516-LD			5/16	1	0.75	0.62	0.12	2.74								
YAG1CL-2TC38-LD			3/8	1	0.75	0.62	0.12	2.87								
YAG1CL-2NTC-LD	1/2	1-3/4	0.83	0.62	0.11	4.06										

* Use PUADP-1 adapter with U dies in Y46 Hypress™.

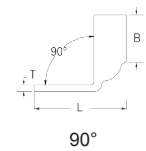
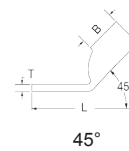
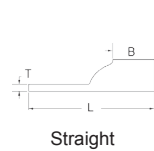
** The MM² conductor size referenced here is for both Class 2 and Class 5 conductor.

*** The MM² conductor sizes listed are the recommendations for Class 5 conductor.

♦ For applications greater than 2000 Volts consult cable manufacturer for voltage stress relief instructions.

Note: All dimensions shown are for reference only.

**TWO HOLE HYLUG™
FLEX CONDUCTOR
STANDARD BARREL
LEAD PLATED
(Continued)**



UL Listed 90° C, Up to 35 kV ♦



NOTE: Field bending straight lugs to achieve an angular connection will void UL Listing / CSA Certifications and BURNDY will not be liable for the connection.

C-89

Catalog Number	Conductor		Stud Hole Size	Stud Hole Spacing	Tongue Width	Figure Dimensions			▲ Installation Tooling							
	AWG/ KCMIL	MM² ***				(B)	(T)	(L)	Dieless (# of Crimps)	Mech.		Hydraulic		Color Code	Die Index	Wire Strip Length
										MD6, OUR840, MD7-34R	BCT500, Y500CT	Y35, Y39, Y750, Y46*, PAT750				
YAG25L-2TC14-LD	1/0 AWG 1/0 Flex G,H,I,K,M DLO (275/24)	50	1/4	5/8	0.83	0.69	0.12	2.41	MY29-11 (1) Y/PAT81KFT (1)	W25RT(2) X25RT(2) W25VT(2)	W25RT(2) W25RT(2) X25RT(2)	U25RT (1)	Pink	12	11/16	
YAG25L-2TC14E2-LD			1/4	3/4	0.83	0.69	0.12	2.53								
YAG25L-2TC516E2-LD			5/16	3/4	0.83	0.69	0.12	2.60								
YAG25L-2TC516-LD			5/16	1	0.83	0.69	0.12	2.85								
YAG25L-2TC38-LD			3/8	1	0.83	0.69	0.12	2.97								
YAG25L-2NTC-LD			1/2	1-3/4	0.83	0.69	0.12	4.16								
YAG25L-2TC12E1-LD			1/2	1	0.83	0.69	0.12	3.22								
YAG26L-2TC14-LD	2/0 AWG 2/0 Flex G,H,I,K,M DLO (325/24)	70	1/4	5/8	0.93	0.81	0.13	2.58	MY29-11 (1) Y/PAT644 (1) Y/PAT81KFT (1)	W26RT (2) W26VT (2) X26RT (2)	W26RT (2) W26VT (2) X26RT (2)	U26RT (1)	Black	13	13/16	
YAG26L-2TC14E2-LD			1/4	3/4	0.93	0.81	0.13	2.71								
YAG26L-2TC516-LD			5/16	1	0.93	0.81	0.13	3.02								
YAG26L-2TC38-LD			3/8	1	0.93	0.81	0.13	3.14								
YAG26L-2NTC-LD			1/2	1-3/4	0.93	0.81	0.13	4.33								
YAG27L-2TC14-LD	3/0 AWG 3/0 Flex G,H,I,K,M DLO (450/24)	95	1/4	5/8	1.03	1.00	0.14	2.81	MY29-11 (1) Y/PAT644 (1) Y/PAT81KFT (1)	W27VT (2) W27RT (2) X27RT (3)	W27VT (2) W27RT (2) X27RT (3)	U27RT (1)	Orange	14	1	
YAG27L-2TC14E2-LD			1/4	3/4	1.03	1.00	0.14	2.94								
YAG27L-2TC516-LD			5/16	1	1.03	1.00	0.14	3.25								
YAG27L-2TC38-LD			3/8	1	1.03	1.00	0.14	3.38								
YAG27L-2NTC-LD			1/2	1-3/4	1.03	1.00	0.14	4.56								
YAG28L-2TC14-LD	4/0 AWG 4/0 Flex G,H,I,K,M DLO (550/24)	120	1/4	5/8	1.14	1.03	0.15	2.90	MY29-11 (1) Y/PAT644 (1) Y/PAT81KFT (1)	W28VT (2) W28RT (2) X28RT (3)	W28VT (2) W28RT (2) X28RT (3)	U28RT (1)	Purple	15	1-1/16	
YAG28L-2TC14E2-LD			1/4	3/4	1.14	1.03	0.15	3.02								
YAG28L-2TC516-LD			5/16	1	1.14	1.03	0.15	3.33								
YAG28L-2TC38-LD			3/8	1	1.14	1.03	0.15	3.46								
YAG28L-2NT38-LD			3/8	1	0.94	1.03	0.17	3.48								
YAG28L-2TC12E1-LD			1/2	1	1.14	1.03	0.17	3.71								
YAG28L-2TC12-LD			1/2	1-1/4	1.14	1.03	0.15	3.96								
YAG28L-2NTC-LD			1/2	1-3/4	1.14	1.03	0.15	4.65								
YAG29L-2TC14-LD	250 kcmil 4/0 Flex G,H,I,K,M DLO (550/24)	—	1/4	5/8	1.14	1.03	0.16	2.90	Y/PAT644 (1) Y/PAT81KFT (1)	W29VT (2) X29RT (4)	W29VT (2) W29RT (2) X29RT (4)	U29RT (1)	Yellow	16	1-1/16	
YAG29L-2TC14E2-LD			1/4	3/4	1.18	1.03	0.16	3.03								
YAG29L-2TC516-LD			5/16	1	1.18	1.03	0.16	3.34								
YAG29L-2TC38-LD			3/8	1	1.18	1.03	0.16	3.43								
YAG29L-2NT38-LD			3/8	1	0.94	1.03	0.16	3.48								
YAG29L-2TC12E1-LD			3/8	1	1.14	1.03	0.16	3.71								
YAG29L-2TC12-LD			1/2	1/4	1.18	1.03	0.16	3.96								
YAG29L-2NTC-LD			1/2	1-3/4	1.18	1.03	0.16	4.65								
YAG30L-2TC38-LD	250 kcmil G,H	—	3/8	1	1.20	1.03	0.16	3.48	Y/PAT644 (1) Y/PAT81KFT (1)	W29VT (2) X29RT (4)	(2) W29RT (2) X29RT (4)	U29RT (1)	Yellow	16	1-1/16	
YAG30L-2TC12-LD			1/2	1-1/4	1.20	1.03	0.16	3.98								
YAG30L-2NTC-LD			1/2	1-3/4	1.20	1.03	0.16	4.67								

* Use PUADP-1 adapter with U dies in Y46 Hypress™.
** The MM² conductor size referenced here is for both Class 2 and Class 5 conductor.

*** The MM² conductor sizes listed are the recommendations for Class 5 conductor.
♦ For applications greater than 2000 Volts consult cable manufacturer for voltage stress relief instructions.

Note: All dimensions shown are for reference only.

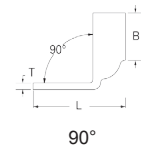
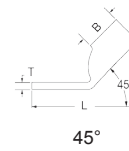
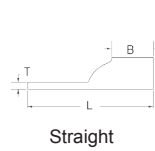
Compression Connections

BURNDY®

Copper Compression — Flex — Lead Plated — No Inspection Window

TWO HOLE HYLUG™ FLEX CONDUCTOR STANDARD BARREL LEAD PLATED

(Continued)



C-90

UL Listed 90° C, Up to 35 kV ♦



NOTE: Field bending straight lugs to achieve an angular connection will void UL Listing / CSA Certifications and BURNDY will not be liable for the connection.

Catalog Number	Conductor		Stud Hole Size	Stud Hole Spacing	Tongue Width	Figure Dimensions			▲ Installation Tooling						
	AWG/ KCMIL	MM ² ***				(B)	(T)	(L)	Dieless (# of Crimps)	Mech.		Color Code	Die Index	Wire Strip Length	
										MD6, OUR840, MD7-34R	Hydraulic BCT500, Y500CT				
YAG31L-2TC38-LD	250 kcmil	150	3/8	1	1.29	1.06	0.18	3.54	Y / PAT644 (1) Y / PAT81KFT (1)	W30VT (2)	W30VT (2) W30RT (2)	U30RT (2)	White	17	1-1/8
YAG31L-2NTC38-LD	I,K,M		3/8	1-3/4	1.29	1.06	0.18	3.54							
YAG31L-2TC12-LD	DLO 262		1/2	1-1/4	1.29	1.06	0.18	4.04							
YAG31L-2NTC-LD	(650/24)		1/2	1-3/4	1.29	1.06	0.18	4.73							
YAG32L-2TC38-LD	300 kcmil	185	3/8	1	1.40	1.19	0.19	3.73	Y / PAT644 (1) Y / PAT81KFT (1)	W31VT (2)	W31VT (2) W31RT (2)	U31RT (2)	Red	18	1-1/4
YAG32L-2NTC-LD	G,H,I,K,M DLO 313		1/2	1-3/4	1.40	1.19	0.19	4.91							
YAG34L-2TC516-LD	350 kcmil G,H,I,K,M DLO 373	240	5/16	1	1.55	1.27	0.23	3.79	Y / PAT644 (1) Y / PAT81KFT (1)	W32VT (2)	W32VT (2) W32RT (2)	U32RT (2)	Blue	19	1-5/16
YAG34L-2TC38-LD			3/8	1	1.55	1.27	0.23	3.92							
YAG34L-2NT38-LD			3/8	1-3/4	0.96	1.27	0.23	3.92							
YAG34L-2TC12-LD			1/2	1-1/4	1.55	1.27	0.23	4.42							
YAG34L-2NTC-LD			1/2	1-3/4	1.55	1.27	0.23	5.11							
YAG36L-2TC38-LD	500 kcmil	—	3/8	1	1.73	1.38	0.27	4.28	Y / PAT644 (1) Y / PAT81KFT (1)	—	—	U34RT (2) U31ART (1)	Brown	20	1-3/8
YAG36L-2NTC-LD	G,H DLO 444		1/2	1-3/4	1.73	1.38	0.27	5.28							
YAG38L-2TC516-LD	500 kcmil H,I,K 550 kcmil G,H,I DLO 535	300	5/16	1	1.82	1.45	0.27	4.09	Y / PAT644 (1) Y / PAT81KFT (1)	—	—	U38XRT (2)	Pink	20	1-3/8
YAG38L-2NT38-LD			3/8	1	1.63	1.45	0.27	4.40							
YAG38L-2TC38-LD			3/8	1	1.82	1.45	0.27	4.40							
YAG38L-2TC12-LD			1/2	1-1/4	1.82	1.45	0.27	4.72							
YAG38L-2NTC-LD			1/2	1-3/4	1.82	1.45	0.27	5.40							
YAG39L-2NTC-LD	600 kcmil G,H,I,K DLO	—	1/2	1-3/4	1.90	1.19	0.27	5.29	Y / PAT644 (1) Y / PAT81KFT (1)	—	—	U38RT (2)	Purple	400	1-3/8
YAG40L-2TC38-LD	650 kcmil G DLO 646	400	3/8	1	1.98	1.42	0.30	4.43	Y / PAT644 (1) Y / PAT81KFT (2)	—	—	U39RT (2)	Black	24	1-5/16
YAG40L-2NNT-LD			1/2	1-3/4	1.63	1.42	0.30	5.43							
YAG40L-2NTC-LD			1/2	1-3/4	1.98	1.42	0.30	5.43							
YAG44L-2TC38-LD	750 kcmil G,H DLO 777	500	3/8	1	2.18	1.65	0.33	4.80	Y / PAT644 (1) Y / PAT81KFT (2)	—	—	U44XRT (2) +P44XRT (2)	Yellow	L115	1-5/8
YAG44L-2TC12-LD			1/2	1-1/4	2.18	1.65	0.33	5.11							
YAG44L-2TC12E3-LD			1/2	1-1/2	2.18	1.65	0.33	5.36							
YAG44L-2NTC-LD			1/2	1-3/4	2.18	1.65	0.33	5.80							
YAG44L-2TC58-LD			5/8	1-1/2	2.18	1.65	0.33	5.61							

* Use PUADP-1 adapter with U dies in Y46 Hypress™.
 • P-RT dies for Y / PAT46 Tooling only
 ** The MM² conductor size referenced here is for both Class 2 and Class 5 conductor.

*** The MM² conductor sizes listed are the recommendations for Class 5 conductor.
 ♦ For applications greater than 2000 Volts consult cable manufacturer for voltage stress relief instructions.

Note: All dimensions shown are for reference only.

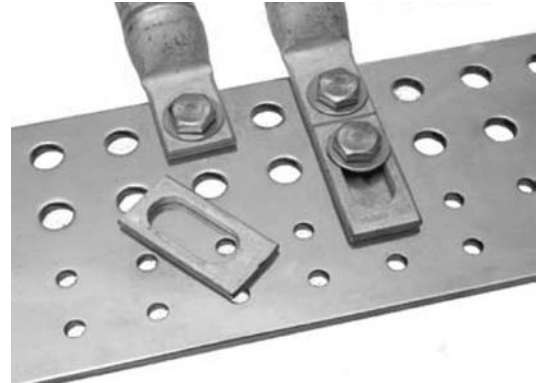
TYPES YBA, YBA-FX and YBAV-FX

BREAK-AWAY HYLUG™

Copper Compression Terminals
UL Listed 90° C, Up to 35 kV ♦

The Break-Away HYLUG™ line of Copper terminals are designed to provide maximum field flexibility by allowing the installer (using the Break-Away feature) to easily convert two-hole terminals to one-hole terminals to suit the application, while retaining UL Listing and CSA Certification.

The Break-Away HYLUG™ line of terminals encompasses a wide range of features that affords the installer the flexibility in meeting the requirements for challenging projects.



Features & Benefits

- BREAK-AWAY feature allows for field modification of the terminal from a two-hole design to a one-hole design
- Field modification of the terminal does not require specialized tooling or training.
- Slotted second stud provides built in flexibility for the terminal to conform to various bus bar dimensions.
- Narrow tongue design allows for the terminal to fit into tight spaces.
- Accommodates a wide range of conductor combinations (AWG, Compact, DLO, Flex and Metric).
- Terminals are range taking when installed with Y644HSXT or PAT644 tooling platforms.



NOTE: Field bending straight lugs to achieve an angular connection will void UL Listing / CSA Certifications and BURNDY will not be liable for the connection.

Catalog Number	Conductor Size	mm ²	Dimensions						Installation Tooling (# of Crimps)					
			Stud Hole Spacing	Stud Hole Size [MM]	Tongue Width	B	T	L	Dieless	MD6, MD7, MD7-34R platforms OUR840**	Y500CTHS, PAT60018V, PATMD6 platform	Y35, Y39, Y750, *Y46, PAT750, *PAT46 platform	Color Code	Die Index
YBAV25FX14	1/0 AWG G,H,I,K,M DLO (275/24) 1/0 AWG	50	.63" to 1.00"	1/4" [6]	0.73	1.50	0.13	3.69	MY29 (MY29 platform tools can only be used on Code Conductor), PAT644- & Y644- platforms (1) 4-POINT® Y81K, PAT81K, Y4PC PAT4PC- platforms (2)	W25VT (4) X25RT (4) W25RT (4)	W25VT (4) X25RT (4) W25RT (4)	U25RT (2)	Pink	12 or 348
YBAV26FX14	2/0 AWG G,H,I,K,M DLO (325/24) 2/0 AWG	70	.63" to 1.00"	1/4" [6]	0.89	1.50	0.13	3.74		W26VT (4) X26RT (4) W26RT (4)	W26VT (4) X26RT (4) W26RT (4)	U26RT (2)	Black	13
YBAV27FX14	3/0 AWG G,H,I,K,M DLO (450/24) 3/0 AWG	95	.63" to 1.00"	1/4" [6]	0.87	1.50	0.14	3.78		W27VT (4) X27RT (4) W27RT (4)	W27VT (4) X27RT (4) W27RT (4)	U27RT (4)	Orange	14
YBAV28FX	4/0 AWG G,H,I,K,M DLO (550/24) 4/0 AWG	120	1" to 1.75"	1/2" [12]	0.94	1.62	0.14	5.24		X28RT (6) W28RT (4) W28VT (4)	X28RT (6) W28RT (4) W28VT (4)	U28RT (2)	Purple	15
YBA29	250 kcmil	-	1" to 1.75"	1/2" [12]	0.96	1.62	0.16	5.21		W29RT (4) W29VT (4)	W29RT (4) W29VT (4)	U29RT (2)	Yellow	16
YBA31FX	250 kcmil I,K,M DLO 262 (650/24)	150	1" to 1.75"	1/2" [12]	0.96	2.00	0.18	5.68	PAT644 & Y644 platforms (1), 4-POINT® Y81K, PAT81K, Y4PC, PAT4PC platforms (2) for YBA29, (3) for YBA31FX & YBA32FX (4) for YBA34FX	W30VT(4) W30RT(4)	W30VT (4) W30RT (4)	U30RT (4)	White	17 or 298
YBA32FX	300 kcmil G,H,I,K,M DLO 313 (775/24)	185	1" to 1.75"	1/2" [12]	0.96	2.12	0.19	5.85		W31VT (4) W31RT (4)	W31VT (4) W31RT (4)	U31RT (4)	Red	18 or 324
YBA34FX	350 kcmil G,H,I,K,M DLO 373 (925/24)	240	1" to 1.75"	1/2" [12]	0.96	2.25	0.23	6.08		W32VT (4) W32RT (4)	W32VT (4) W32RT (4)	U32RT (4)	Blue	19 or 470

* Y46 and PAT46 platforms require PUADP-1 adaptor to use U dies

** OUR840 can use X-style dies only

Compression Connections

Copper Compression — Long Barrel — Break-Away

BURNDY®

TYPES YBA, YBA-FX and YBAV-FX

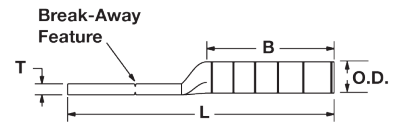
BREAK-AWAY HYLUG™

(Continued)

Copper Compression Terminals

UL Listed 90° C, Up to 35 kV ♦

C-92



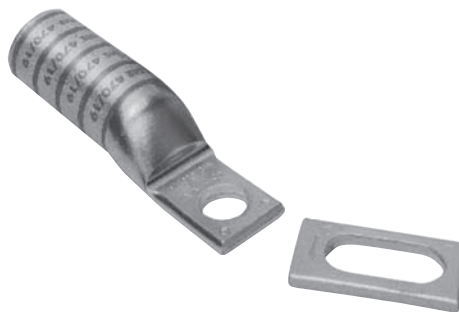
NOTE: Field bending straight lugs to achieve an angular connection will void UL Listing / CSA Certifications and BURNDY will not be liable for the connection.

Catalog Number	Conductor Size	mm ²	Dimensions						Installation Tooling (# of Crimps)					
			Stud Hole Spacing	Stud Hole Size [MM]	Tongue Width	B	T	L	Dieless	MD6, MD7, MD7-34R platforms OUR840**	Y500CTHS, PAT60018V, PATMD6 platform	Y35, Y39, Y750, *Y46, PAT750, *PAT46 platform	Color Code	Die Index
YBA36FX	500 kcmil G,H DLO 444 (110/24)	-	1" to 1.75"	1/2" [12]	1.47	2.69	0.27	6.59	Y644HSXT (1), PAT644XT-18V (1), Y81KFT(2), PAT81KFT (2)	—	—	U34RT (4)	Brown	20 or 299
YBA36FX58		-	1" to 1.75"	5/8" [16]	1.47	2.69	0.27	6.59				U34RT (4)		
YBA38FX	500 kcmil H,I,K 550 kcmil G,H,I DLO 535 (325/24)	300	1" to 1.75"	1/2" [12]	1.62	2.81	0.27	6.76				U38XRT (4)	Pink	L99
YBA39	750 kcmil (Code Class AA; A & B)	-	1" to 1.75"	1/2" [12]	1.63	2.88	0.27	6.87				U39RT (4)	Black	24
YBA44FX	750 kcmil G,H DLO 777 (1925/24)	500	1" to 1.75"	1/2" [12]	1.62	3.00	0.32	7.14				U44XRT (4)	Yellow	L115
YBA44FX58		500	1.25" to 2.00"	5/8" [16]	1.62	3.00	0.32	7.46				*P44XRT (4)		

* Y46 and PAT46 platforms require PUADP-1 adaptor to use U dies

** OUR840 can use X-style dies only

• P-RT dies for Y / PAT46 Tooling only



TYPE YBA-A

BREAK-AWAY HYLUG™

Aluminum Compression Terminals
UL Listed 90° C, Up to 35 kV ♦

The Break-Away HYLUG™ line of Aluminum terminals are designed to provide maximum field flexibility by allowing the installer (using the break-away feature) to easily convert a two-hole terminal into a one-hole terminal to suit the application while retaining UL Listing and CSA Certification.

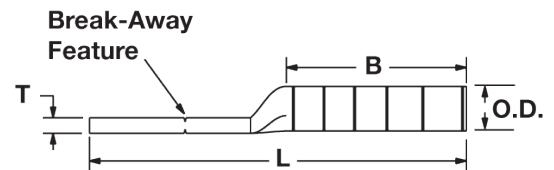
The Break-Away HYLUG™ line of terminals encompasses a wide range of features that offers the installer the flexibility to meet the requirements of challenging projects.

Features & Benefits

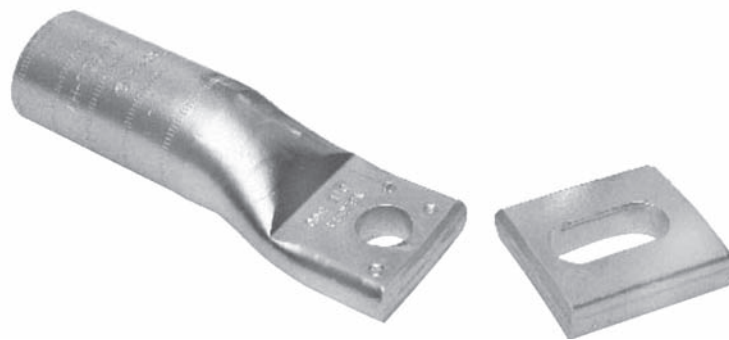
- Break-Away feature allows for field modification of the terminal from a two-hole design to a one-hole design
- Field modification of the terminal does not require specialized tooling or training
- Narrow tongue design allows for the terminal to fit into tight spaces
- Accommodates copper and aluminum wire
- Factory prefilled with PENETROX™ oxide inhibiting compound
- Slotted second stud provides built in flexibility for the terminal to conform to various bus bar dimensions.
- Terminals are range taking when installed with Y644 or PAT644XT-18V tooling platforms
- Electro-tin plated provides durable long lasting corrosion resistance
- Internal bevel edge provides easy cable insertion
- Connector clearly marked with wire size, die index, and color code



C-93



NOTE: Field bending straight lugs to achieve an angular connection will void UL Listing / CSA Certifications and BURNDY will not be liable for the connection.



Compression Connections

BURNDY®

Aluminum Compression — Long Barrel — Break-Away

TYPE YBA-A

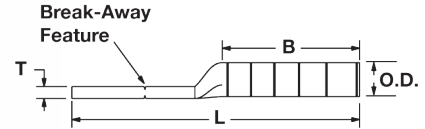
BREAK-AWAY HYLUG™

(Continued)

Aluminum Compression Terminals

UL Listed 90° C, Up to 35 kV ♦

C-94



NOTE: Field bending straight lugs to achieve an angular connection will void UL Listing / CSA Certifications and BURNDY will not be liable for the connection.

Catalog Number	Conductor Size (Concentric and Compact)	Dimensions						Installation Tooling (# of crimps)						
		Stud Hole Spacing	Stud Hole Size	Tongue Width	B	T	L	Dieless	MD6, MD7, MD7-34R platforms OUR840**	Y500CTHS, PAT60018V, PATMD6 platform	35, 39, 750 platforms, *46 platforms	Color Code	Die Index	
YBA25A	1/0	1" to 1.75"	1/2	1.03	1.05	0.17	4.59	MY29 (MY29 platform tools for use on CODE conductor only), 644 platforms (1), 4-POINT® platforms (2)	W241 (2) X241 (4)	W241 (2)	U25ART (1)	Tan	296	
YBA26A	2/0	1" to 1.75"	1/2	1.03	1.17	0.20	4.78		—	—	U26ART (2)	Olive	297	
YBA27A	3/0	1" to 1.75"	1/2	1.04	1.31	0.26	5.02		—	—	U27ART (2)	Ruby	467	
YBA28A	4/0	1" to 1.75"	1/2	1.17	1.39	0.30	5.19		—	W660 (4)	U28ART (2)	White	298	
YBA29A	250 kcmil	1" to 1.75"	1/2	1.26	1.45	0.33	5.28		—	—	U29ART (2)	Red	324	
YBA30A	300 kcmil & ±4/0 AWG CCA DLO (329/22)	1" to 1.75"	1/2	1.38	1.53	0.36	5.64	644 platforms (1) 4-POINT® platforms (4)	—	—	U30ART (2)	Blue	470	
YBA31A	350 kcmil & ±250 kcmil CCA DLO (399/22)	1" to 1.75"	1/2	1.52	1.85	0.39	6.07		—	—	U31ART (2)	Brown	299	
YBA32A	400 kcmil	1" to 1.75"	1/2	1.62	2.26	0.43	6.15		—	—	U32ART (4)	Green	472	
YBA34A	500 kcmil & ±350 kcmil CCA DLO (551/22)	1" to 1.75"	1/2	1.62	2.34	0.46	6.80		—	—	U34ART (4)	Pink	300	
YBA36A	600 kcmil & ±500 kcmil CCA DLO (779/22)	1" to 1.75"	1/2	1.31	2.47	0.52	7.09		—	—	U36ART (4)	Black	473	
YBA39A	700 / 750 kcmil & ±600 kcmil CCA DLO (925/22)	1" to 1.75"	1/2	1.62	2.46	0.43	7.07		—	—	U39ART-2 (4)	Yellow	936	
YBA42A	600 - 900 kcmil	1" to 1.75"	1/2	1.62	2.46	0.39	7.15		—	—	U42ART (4)	Gray	303	
YBA44A	1000 kcmil & ±750 or 800 kcmil CCA DLO (1184/22) or (1250/22)	1" to 1.75"	1/2	1.65	2.74	0.55	7.76		Y644 platform (1)	—	—	P44ART (4)	Brown	302

† Can only be crimped with PAT46 or Y46 platform tools using the P44ART die

‡ UL Listed with DLO Copper Clad Aluminum conductor using Y644 tools ONLY

* Y46 and PAT46 platforms require PUADP-1 adaptor to use U dies

** OUR840 can use X-style dies only

▲ U die for 900 AL only

**TYPES YBA-KIT,
YA-KIT, YBAFX-KIT,
YAFX-KIT**

**Copper and Aluminum
Turbine Lug Kits**

UL Listed 90° C, Up to 35 kV ♦

Aiding in the staging and flow of material on a project, the BURNDY® Turbine Lug Kits are designed to meet the termination requirements for the standard 1.5 MW wind turbine, improving overall project efficiency. Each lug kit contains UL Listed and CSA Certified copper or aluminum lugs. Kits include the required number of lugs needed to terminate aluminum or copper conductors on the low voltage side of a base transformer or the down tower switchgear. There are four individual kits, two for aluminum, two for copper, they are all custom designed to handle any termination requirements.



NOTE: Field bending straight lugs to achieve an angular connection will void UL Listing / CSA Certifications and BURNDY will not be liable for the connection.



C-95

Features & Benefits

- **YA44A3** (1000 kcmil aluminum) HYLUG™, 2-hole, narrow tongue aluminum compression terminal that is dual rated for both copper and aluminum
- **YBA44A** (1000 kcmil, 1000 compact aluminum) Break-Away HYLUG™, 2-hole narrow tongue aluminum compression terminal that is dual rated for both copper and aluminum. The break-away feature allows for field modification of the terminal from a 2-hole to a 1-hole terminal and still retain UL Listing and CSA Certification
- **YAZ442NNTFX** (777.7 Flex, 1925/24 str., 750 kcmil copper) HYLUG™, 2-hole narrow tongue copper compression terminal that accommodates flex and AWG conductor
- **YBA44FX** (777.7 Flex, 1925/24 str. [750 kcmil] nom. copper) Break-Away HYLUG™, 2-hole, narrow tongue copper compression terminal that accepts a wide range of conductor combinations (AWG, compact, DLO, flex, metric). The Break-Away feature allows field modification of the terminal from a 2-hole to 1-hole terminal and still retain UL Listing and CSA Certification
- Both aluminum and copper low voltage turbine lug kits include **YA29-2N** (250 kcmil, copper, 2-hole) lugs for terminating grounding conductor
- Aluminum kits are shipped with squeeze packets of PENETROX™ oxide inhibitor for terminating aluminum conductor

Copper Kits

Catalog Number	Includes:
YBAFX15CLKIT	15 pcs YBA44FX (777.7 Flex Cu 2-hole NEMA lug); 3 pcs YA29-2N (250 kcmil Cu 2-hole NEMA lug)
YAFX15CLKIT	15 pcs YAZ442NNTFX (777.7 Flex Cu 2-hole NEMA lug); 3 pcs YA29-2N (250 kcmil Cu 2-hole NEMA lug)

Aluminum Kits

Catalog Number	Includes:
YBA15ALKIT	15 pcs YBA44A (1000 Al 2-hole NEMA lug); 3 pcs YA29-2N (250 kcmil Cu 2-hole NEMA lug); 1 squeeze tube (1/2 oz) of PENETROX™ oxide inhibitor
YA15ALKIT	15 pcs YA44A3 (1000 Al 2-hole NEMA lug); 3 pcs YA29-2N (250 kcmil Cu 2-hole NEMA lug); 1 squeeze tube (1/2 oz) of PENETROX™ oxide inhibitor



Heat shrink and mounting hardware sold separately.

TYPES YA-2NU, YA-4NU

Blank Tongue HYLUG™



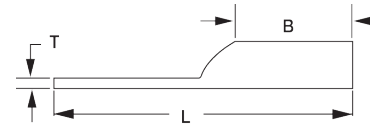
C-96

UL Listed 90° C, Up to 35 kV ♦

The Blank Tongue line of Copper Code HYLUG™ terminals are designed to provide maximum field flexibility. Scored lines prevent the drill from walking when trying to drill in this area. This innovative design allows the installer to customize the tongue drilling to fit their specific application while maintaining UL Listing and CSA Certification.

Features & Benefits

- Manufactured from seamless high conductivity electrolytic copper tubing with heavy duty wall thickness
- Internally beveled barrel end
- Proper compression systems form a highly efficient electrical connection
- Dimples located at each end of the scored line represent the location of the NEMA standard hole spacing
- Scored line locates the center of the tongue and prevents the drill from walking when trying to drill in this area
- Offered in a wide range of code conductor sizes



Catalog Number	Conductor		Min. Bolt Hole**	Tongue Width	Figure Dimensions			Installation Tooling (# of crimps)					Wire Strip Length	
	AWG	*** MM²			B	T	L	Dieless	Mechanical	Hydraulic		Color Code		Die Index
									MD6, OUR840, MD7-34R	BCT500HS, Y500CTHS	Y750, Y46*, PAT750			
YA8C2NU	#8 AWG #6 Sol #8 Sol #8 Weld 37/24	—	#10	0.83	0.81	0.12	4.08	Y1MRTC (2) Y122CMR (2) MY29-11 (1) MY29-3 (1)	W8CRT (1) W8CVT (1) X8CRT (2)	W8CRT (1)	U8CRT (1) U8CRT (1)	Red	49	7/8
YA6C2NU	#6 AWG Sol/Str.	—	#10	0.83	1.12	0.12	4.40	Y1MRTC (2) Y122CMR (2) MY29-11 (1) MY29-3 (1) MRC840 (2) Y81KFT (1) Y81KFTBMH (1) PAT81KFT-18V (1)	W5CVT (2) W5CRT (2) X5CRT (2) X8CART (2)	W5CVT (2) W5CRT (2) X5CRT (2) X8CART (2)	U5CRT (2) U8CABT (2)	Blue	7 or 374	1-3/16
YA5C2NU	#5 AWG	16	—	0.83	1.12	0.12	4.43	MY29-3 (2) MY29-1 (2) MRC840 (2) Y644HSXT (1) Y81KFT (1) Y81KFTBMH (1) PAT81KFT-18V (1)	W5CRT (2) W5CVT (2) X5CRT (2)	X5CRT (2) X5CVT (2) W5CRT (2)	U5CRT (2)	Blue	7	1-3/16
YA4C2NU	#4 AWG	—	#10	0.83	1.12	0.12	4.45	Y1MRTC (4) Y122CMR (4) MY29-3 (2) MY29-11 (2) MRC840 (2) Y644HSXT (1) Y81KFT (1) Y81KFTBMH (1) PAT81KFT-18V (1)	W4CVT (2) W4CRT (2) X4CRT (2)	W4CVT (2) W4CRT (2) X4CRT (2)	U4CRT (2) U6CABT (2)	Gray	8 or 346	1-3/16
YA3C2NU	#3 AWG #2 Sol.	25	1/4	0.83	1.25	0.12	4.62	Y1MRTC (4) Y122CMR (4) MY29-3 (2) MY29-11 (2) MRC840 (2) Y644HSXT (1) Y81KFT (1) Y81KFTBMH (1) PAT81KFT-18V (1)	W3CRT (2)	W3CRT (2)	U3CRT (2)	White	9	1-5/16

* Use PUADP-1 adaptor with U dies in Y46 HYPRESS™

** Minimum bolt hole size must be maintained for UL & CSA

*** The MM² conductor sizes listed are the recommendations for Class 2 conductor

‡ Requires Y60BHU HYPRESS™

NOTE: Field bending straight lugs to achieve an angular connection will void UL Listing / CSA Certifications and BURNDY will not be liable for the connection.

TYPES YA-2NU, YA-4NU

Blank Tongue HYLUG™

(Continued)

UL Listed 90° C, Up to 35 kV ♦



C-97

NOTE: Field bending straight lugs to achieve an angular connection will void UL Listing / CSA Certifications and BURNDY will not be liable for the connection.

Catalog Number	Conductor		Min. Bolt Hole**	Tongue Width	Figure Dimensions			Installation Tooling (# of crimps)					Wire Strip Length	
	AWG	*** MM²			B	T	L	Dieless	Mechanical	Hydraulic		Color Code		Die Index
									MD6, OUR840, MD7-34R	BCT500HS, Y500CTHS	Y750, Y46*, PAT750			
YA2C2NU	#2 AWG	35	1/4	0.83	1.25	0.12	4.64	Y122CMR (4) Y1MRTC (4) MY29-3 (2) MY29-11 (2) MRC840 (2) Y644HSXT (1) Y81KFT (2) Y81KFTBMH (2) PAT81KFT-18V (2)	W2CVT (2) W2CRT (2) X2CRT (2)	W2CVT (2) W2CRT (2) X2CRT (2)	U2CRT (2)	Brown	10	1-5/16
YA1C2NU	#1 AWG	50	1/4	0.83	1.38	0.12	4.82	Y122CMR (4) Y1MRTC (4) MY29-3 (2) MY29-11 (2) MRC840 (2) Y644HSXT (1) Y81KFT (2) Y81KFTBMH (2) PAT81KFT-18V (2)	W1CVT (2) W1CRT-1 (2) X1CRT-1 (2)	W1CVT (2) W1CRT-1 (2) X1CRT-1 (2)	U1CRT-1 (2) U4CABT (2)	Green	11	1-7/16
YA252NU	1/0 AWG	—	1/4	0.83	1.38	0.11	4.81	MY29-3 (2) MY29-11 (2) MRC840 (4) Y644HSXT (1) Y81KFT (2) Y81KFTMBH (2) PAT81KFT-18V (2)	W25VT (4) W25RT (4) X25RT (4)	W25VT (4) W25RT (4) X25RT (4)	U25RT (2) U2CABT (2)	Pink	12 or 348	1-7/16
YA262NU	2/0 AWG	70	1/4	0.83	1.50	0.12	4.97	MY29-3 (2) MY29-11 (2) MRC840 (4) Y644HSXT (1) Y81KFT (2) Y81KFTMBH (2) PAT81KFT-18V (2)	W26VT (4) W26RT (4) X26RT (4)	W26VT (4) W26RT (4) X26RT (4)	U26RT (2)	Black	13	1-9/16
YA272NU	3/0 AWG	—	1/4	0.91	1.50	0.13	5.01	MY29-3 (2) MY29-11 (2) MRC840 (4) Y644HSXT (1) Y81KFT (2) Y81KFTMBH (2) PAT81KFT-18V (2)	W27VT (4) W27RT (4) X27RT (6)	W27VT (4) W27RT (4) X27RT (6)	U27RT (2)	Orange	14	1-9/16
YA282NU	4/0 AWG	—	1/4	1.02	1.62	0.14	5.17	MY29-3 (2) MY29-11 (2) MRC840 (4) Y644HSXT (1) Y81KFT (2) Y81KFTMBH (2) PAT81KFT-18V (2)	W28VT (4) W28RT (4) X28RT (6)	W28VT (4) W28RT (4) X28RT (6)	U28RT (2)	Purple	15	1-11/16
YA292NU	250 kcmil	120	1/4	1.11	1.62	0.16	5.21	MY29-3 (2) MY29-11 (2) MRC840 (4) Y644HSXT (1) Y81KFT (2) Y81KFTMBH (2) PAT81KFT-18V (2)	W29VT (4) x29RT (8)	W29VT (4) W29RT (4) X29RT (8)	U29RT (2)	Yellow	16	1-11/16
YA302NU	300 kcmil	150	1/4	1.20	2.00	0.16	5.64	Y644HSXT (1) Y81KFT (3) Y81KFTMBH (3) PAT81KFT-18V (3)	W30VT (4)	W30VT (4) W30RT (4)	U30RT (4) U28ART (4)	White	17	2-1/16
YA312NU	350 kcmil	185	1/4	1.29	2.00	0.18	5.68	Y644HSXT (1) Y81KFT (3) Y81KFTMBH (3) PAT81KFT-18V (3)	W31VT (4)	W31VT (4) W31RT (4)	U31RT (4) U29ART (4)	Red	18	2-1/16
YA322NU	400 kcmil	—	3/8	1.40	2.12	0.19	5.85	Y644HSXT (1) Y81KFT (4) Y81KFTMBH (4) PAT81KFT-18V (4)	W32VT (4)	W32VT (4) W32RT (4)	U32RT (4) U30ART (4)	Blue	19 or 470	2-3/16
YA342NU	500 kcmil	240	3/8	1.55	2.25	0.22	6.06	Y644HSXT (1) Y81KFT (4) Y81KFTMBH (4) PAT81KFT-18V (4)	W34VT (4)	W34VT (4) W34RT (4)	U34RT (4) U31ART (4)	Brown	20 or 299	2-5/16
YA362NU	600 kcmil	300	3/8	1.73	2.69	0.26	6.59	Y644HSXT (1) Y81KFT (4) Y81KFTMBH (4) PAT81KFT-18V (4)	—	—	U36RT (4) U32ART (4)	Green	22 or 472	2-3/4

* Use PUADP-1 adaptor with U dies in Y46 HYPRESS™
 ** Minimum bolt hole size must be maintained for UL & CSA
 *** The MM² conductor sizes listed are the recommendations for Class 2 conductor
 † Requires Y60BHU HYPRESS™

Compression Connections

Copper Compression — Code — Long Barrel — Blank Tongue

BURNDY®

TYPES YA-2NU, YA-4NU

Blank Tongue HYLUG™

(Continued)

UL Listed 90° C, Up to 35 kV ♦



NOTE: Field bending straight lugs to achieve an angular connection will void UL Listing / CSA Certifications and BURNDY will not be liable for the connection.

C-98

Catalog Number	Conductor		Min. Bolt Hole**	Tongue Width	Figure Dimensions			Installation Tooling (# of crimps)					Wire Strip Length	
	AWG	*** MM ²			B	T	L	Dieless	Mechanical	Hydraulic		Color Code		Die Index
									MD6, OUR840, MD7-34R	BCT500HS, Y500CTHS	Y750, Y46*, PAT750			
YA392NU	750 kcmil	375	3/8	1.91	2.88	0.27	6.87	Y644HSXT (1) Y81KFT (3) Y81KFTMBH (3) PAT81KFT-18V (3)	—	—	U39RT (4) P39RT (4)	Black	24	2-15/16
YA402NU	800 kcmil	400	3/8	1.98	2.94	0.30	6.95		—	—	P40RT (4)	Orange	25	3
YA442NU	1000 kcmil	500	3/8	2.18	3.00	0.32	7.14		—	—	P44RT (4)	White	27	3-1/16
YA452NU	1250 kcmil	—	3/8	2.46	3.19	0.38	7.44	—	—	—	P45RT (6)	Yellow	29	3-1/4
YA462NU	1500 kcmil	800	3/8	2.69	3.19	0.40	7.55	—	—	—	P46RT (6)	Green	31	3-1/4
YA472NU	1750 kcmil	—	3/8	2.90	3.44	0.42	7.89	—	—	—	—	Gray	33	3-1/2
YA482NU	2000 kcmil	1000	3/8	3.10	3.44	0.46	7.98	—	—	—	—	Brown	34	3-1/2
YA444NU	1000 kcmil	500	3/8	3.00	3.00	0.23	7.14	—	—	—	P44RT	White	27	3-1/16
YA454NU	1250 kcmil	—	3/8	3.00	3.19	0.30	7.44	—	—	—	P45RT	Yellow	29	3-1/4
YA464NU	1500 kcmil	800	3/8	3.00	3.19	0.34	7.55	—	—	—	P46RT	Green	31	3-1/4

* Use PUADP-1 adaptor with U dies in Y46 HYPRESS™

** Minimum bolt hole size must be maintained for UL & CSA

*** The MM² conductor sizes listed are the recommendations for Class 2 conductor

† Requires Y60BHU HYPRESS™

TYPE YAS-L-2TC-FX, 60

TWO HOLE HYLUG™ -
DOUBLE BARREL

COPPER COMPRESSION
TERMINAL



C-99

Features & Benefits

- No inspection window is ideal for more corrosive environments as the barrel transition is not open
- Barrel is designed with an internal chamfer at the wire entry to ensure smooth insertion of the wire, preventing possible damaging of the wire strands during insertion
- Short/Standard length barrel is recommended for installations with limited space requirements
- Two hole tongue/tang is recommended when space permits as the 2-hole feature minimizes the terminations from loosening or rotating under vibration, movement, or heat cycling
- 45° and 90° angular lugs are available; please contact Customer Service
- Electro-tin plated unless otherwise specified to reduce galvanic corrosion (bimetallic) and resist corrosive elements
- Connectors are clearly marked with stamping and barrel color coding

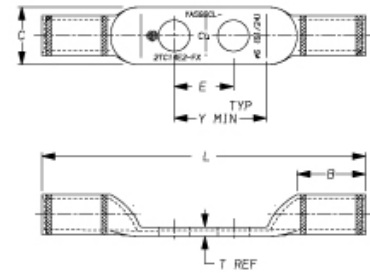


Fig. 1

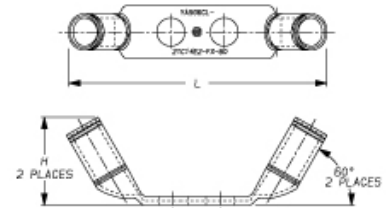


Fig. 2

Catalog Number	Conductor			Bolt Size	Fig. No.	Dimensions						Installation Tooling				Wire Strip Length		
	Flex	AWG	** MM ²			B	C	E	H	L	T Ref.	Y Min.	Die Index	Color Code	Mechanical		Hydraulic	
															MD7-34 MD6 OUR840		Y1MRTC	Y750, Y35, Y39, Y46*
YASG6CL-2TC14E2-FX	#6 AWG G,H,I,K,M DLO (61/24)	#6 AWG	16	1/4"	1	0.50	0.48	0.75	—	3.0 (78)	0.08 (2)	1.14 (29)	7	Blue	W5CVT (1) W5CRT (1)	Y1MRTC (1)	U5CRT (1)	9/16"
YASV6CL-2TC14E2-FX**	#6 AWG G,H,I,K,M DLO (61/24)	#6 AWG	16	1/4"	1	0.50	0.48	0.75	—	3.0 (78)	0.08 (2)	1.14 (29)	7	Blue	W5CVT (1) W5CRT (1)	Y1MRTC (1)	U5CRT (1)	9/16"
YASV6CL-2TC14E2-FX-60**									0.73	2.9 (75)								

♦ For applications greater than 2000 Volts consult cable manufacturer for voltage stress relief instructions.
* Use PUADP-1 adapter with U dies in Y46 HYPRESS™.

** Type YASV series have inspection hole.
*** The MM² conductor sizes listed are the recommendations for Class 2 and Class 5 conductor.

Note: All dimensions shown are for reference only.

Compression Connections

Copper Compression — Slotted — Standard Barrel — Code/Flex

BURNDY®

TWO HOLE SLOTTED HYLUG™ STANDARD BARREL

TYPES YA-L2TC-SL AND YAV-L2TC-FXSL

COPPER COMPRESSION TERMINAL

C-100



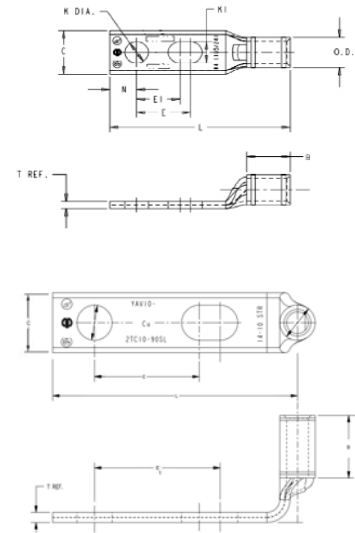
UL Listed 90° C, Up to 35 kV

Compression Slotted Lugs connect copper or tinned copper conductors to bus bars, CPI Racks, Cabinets or Cable Runway. Slotted and 90° Slotted lugs have one round and one oblong hole to match hole spacing on equipment mounting rails on CPI Racks and Cabinets and on some bus bars.

Features & Benefits

- Inspection window allows for visual verification that the wire has been fully inserted prior to crimping the lug
- Barrel is designed with an internal chamfer at the wire entry to ensure smooth insertion of the wire, preventing possible damaging of the wire strands during insertion
- Short/Standard length barrel is recommended for installations with limited space requirements
- One hole with slotted 2nd hole tongue/tang offers additional flexibility over a 2-hole tongue/tang as the slot provides the installer with multiple mounting hole alignment options. The 2-hole feature minimizes the terminations from loosening or rotating under vibration, movement or heat cycling
- 45° and 90° angular lugs are available; please contact Customer Service
- Electro-tin plated unless otherwise specified to reduce galvanic corrosion (bimetallic) and resist corrosive elements
- Connectors are clearly marked with stamping and barrel color coding

NOTE: Field bending straight lugs to achieve an angular connection will void UL Listing / CSA Certifications and BURNDY will not be liable for the connection.



Catalog Number	Cond. Size	Stud Hole Size	Tongue Width	Figure Dimensions					Installation Tooling (# of crimps)				Wire Strip Length		
				(B)	(T)	(L)	(E)	(E1)	Dieless	Mech.				Color Code	Die Index
										MD6, OUR840, MD7-34R	BCT500, Y500CT	Y35, Y39, Y750, Y46, PAT750			
YA6CL2TC14E2SL	#6 AWG G,H,I,K,M DLO (61/24)	1/4	0.45	0.81	0.08	2.47	0.62	0.75	MY29-3 (1) MY29-11 (1) Y / PAT644 (1)	W5CRT (1) W5CVT (1) X5CRT (1) X8CART (1)	W5CRT (1) W5CVT (1)	U5CRT (1) U8CABT (1)	Blue	7 or 374	7/8
YAV6CL2TC10FX90SL*	#6 AWG	#10	0.48	0.50	0.08	1.54	0.62	0.75	MY29-3 (1) MY29-11 (1) Y / PAT644 (1)	W5CRT (1) W5CVT (1) X5CRT (1) X8CART (1)	W5CRT (1) W5CVT (1)	U5CRT (1) U8CABT (1)	Blue	7 or 374	7/8
YAV4CL2TC14FXSL	#4 AWG G,H,I,K,M DLO (105/24)	1/4	0.55	0.50	0.09	2.08	0.50	0.62	MY29-11 (1) Y / PAT644 (1) Y / PAT81KFT (1)	W4CRT (1) W4CVT (1) X4CRT (1)	W4CRT (1) W4CVT (1) X4CRT (1)	U4CRT (1)	Gray	8	9/16
YAV4CL2TC38FXSL	#4 AWG	3/8	0.58	0.50	0.08	2.68	0.75	1.00		W2CRT (1) W2CVT (1) X2CRT (1)	W2CRT (1) W2CVT (1) X2CRT (1)	U2CRT (1)	Brown	10	11/16
YAV2CL2TC14FXSL	#2 AWG G,H,I,K,M DLO (150/24)	1/4	0.68	0.62	0.10	2.26	0.50	0.62	Y / PAT81KFT (1)	W2CRT (1) W2CVT (1) X2CRT (1)	W2CRT (1) W2CVT (1) X2CRT (1)	U2CRT (1)	Brown	10	11/16
YAV2CL2TC38FXSL	#2 AWG	3/8	0.68	0.62	0.10	2.82	0.75	1.0		—	—	U44XRT (2)	Yellow	L115	1-2/3
YA44L2NNTFXSL	750 kcmil G,H DLO 777 (1925/24)	5/8	1.63	1.65	0.33	5.74	1.58	1.75	Y / PAT644 (1) Y / PAT81KFT (2)	—	—	U44XRT (2)	Yellow	L115	1-2/3

* Denotes 90° Angle

Note: All dimensions shown are for reference only.

TWO HOLE SLOTTED HYLUG™ LONG BARREL

TYPE YA-2TC-SL

Copper Compression Terminals

UL Listed 90° C, Up to 35 kV

Compression Slotted Lugs connect copper or tinned copper conductors to bus bars, CPI Racks, Cabinets or Cable Runway. Slotted and 90° Slotted lugs have one round and one oblong hole to match hole spacing on equipment mounting rails on CPI Racks and Cabinets and on some bus bars

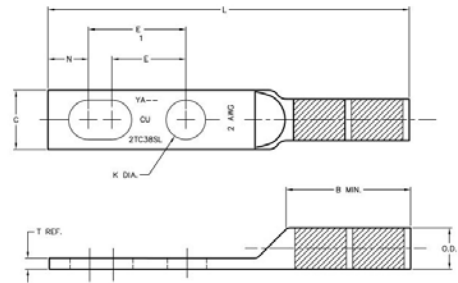


C-101

NOTE: Field bending straight lugs to achieve an angular connection will void UL Listing / CSA Certifications and BURNDY will not be liable for the connection.

Features & Benefits

- Inspection window allows for visual verification that the wire has been fully inserted prior to crimping the lug
- Barrel is designed with an internal chamfer at the wire entry to ensure smooth insertion of the wire, preventing possible damaging of the wire strands during insertion
- Long barrel allows for an increased number of crimps which will increase the mechanical strength of the connection
- One hole with slotted 2nd hole tongue/tang offers additional flexibility over a 2-hole tongue/tang as the slot provides the installer with multiple mounting hole alignment options. The 2-hole feature minimizes the terminations from loosening or rotating under vibration, movement or heat cycling
- 45° and 90° angular lugs are available; please contact Customer Service
- Electro-tin plated unless otherwise specified to reduce galvanic corrosion (bimetallic) and resist corrosive elements
- Connectors are clearly marked with stamping and barrel color coding



Catalog Number	Wire Size	Stud Hole Size	Tongue Width	Figure Dimensions					Dieless	Installation Tooling (# of crimps)			Color Code	Die Index	Wire Strip Length
				(B)	(T)	(L)	(E)	(E1)		Mech.	Hydraulic				
											MD6, OUR840, MD7-34R	BCT500HS, Y500CTHS			
YA6C2TC38SL	6 AWG	3/8	0.58	1.12	0.06	3.22	0.75	1	MY29-3 (1) MY29-11 (1) Y/PAT644 (1)	W5CRT (2) W5CVT (2)	W5CRT (2) W5CVT (2)	U8CABT (2)	Blue	7374	1-3/16
YA6C2TC38SLBOX500		3/8	0.58	1.12	0.06	3.22	0.75	1							
YA3C2TC38SL	3 AWG	3/8	0.58	1.25	0.08	3.43	0.75	1	MY29-3 (1) MY29-11 (1) Y/PAT644 (1) Y/PAT81KFT (1)	W3CRT (2)	W3CRT (2)	U3CRT (2)	White	9	1 5/16
YA3C2TC38SLBOX500		3/8	0.58	1.25	0.08	3.43	0.75	1							
YA2C2TC38SL	2 AWG	3/8	0.60	1.25	0.11	3.42	0.75	1	MY29-3 (1) MY29-11 (1) Y/PAT644 (1)	W2CRT (2) W2CVT (2)	W2CRT (2) W2CVT (2)	U2CRT (2)	Brown	10	1-5/16
YA2C2TC38SLBOX500		3/8	0.60	1.25	0.11	3.42	0.75	1							

Note: All dimensions shown are for reference only.

TWO HOLE SLOTTED HYLUG™ LONG BARREL WITH INSPECTION WINDOW

TYPE YAZ-2TC-SL

C-102

COPPER COMPRESSION TERMINAL

UL Listed 90° C, Up to 35 kV

Compression Slotted Lugs connect copper or tinned copper conductors to bus bars, CPI Racks, Cabinets or Cable Runway. Slotted and 90° Slotted lugs have one round and one obround hole to match hole spacing on equipment mounting rails on CPI Racks and Cabinets and on some bus bars.



NOTE: Field bending straight lugs to achieve an angular connection will void UL Listing / CSA Certifications and BURNDY will not be liable for the connection.

Features & Benefits

- Inspection window allows for visual verification that the wire has been fully inserted prior to crimping the lug;
- Barrel is designed with an internal chamfer at the wire entry to ensure smooth insertion of the wire, preventing possible damaging of the wire strands during insertion
- Long barrel allows for an increased number of crimps which will increase the mechanical strength of the connection
- One hole with slotted 2nd hole tongue/tang offers additional flexibility over a 2-hole tongue/tang as the slot provides the installer with multiple mounting hole alignment options. The 2-hole feature minimizes the terminations from loosening or rotating under vibration, movement or heat cycling
- 45° and 90° angular lugs are available; please contact Customer Service
- Electro-tin plated unless otherwise specified to reduce galvanic corrosion (bimetallic) and resist corrosive elements
- Connectors are clearly marked with stamping and barrel color coding

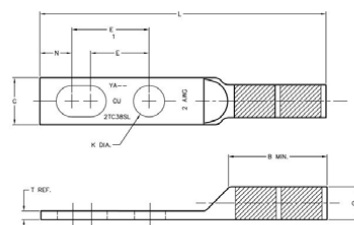


Fig. 1

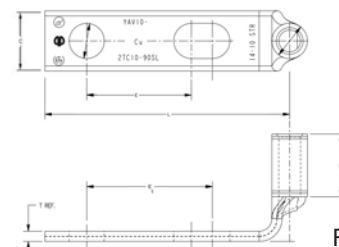


Fig. 2

Catalog Number	Wire Size	Stud Hole Size	Fig.	Tongue Width	Figure Dimensions					Installation Tooling (# of crimps)				Wire Strip Length		
					(B)	(T)	(L)	(E)	(E1)	Dieless	Mech.				Color Code	Die Index
											MD6, OUR840, MD7-34R	BCT500HS, Y500CTHS	Y35, Y39, Y750 Y46, PAT750			
YAZ8C2TC10SL	8 AWG	#10	1	0.41	0.75	0.08	2.21	0.62	0.75	MY29-11 (1)	W8CRT (2)	W8CVT (2)	X8CRT (2)	Red	49	13/16
YAZ8C2TC1090SL		#10		0.41	0.75	0.08	1.50	0.62	0.75							
YAZ3C2TC38SL	3 AWG	3/8	2	0.58	1.25	0.08	3.39	0.75	1	MY29-3 (1) MY29-11 (1) Y / PAT644 (1)	W3CRT (2)	W3CRT (2)	U3CRT (2)	White	9	1-5/16
YAZ3C2TC38SLBOX500		3/8		0.58	1.25	0.08	3.43	0.75	1							
YAZ2C2TC38SL	2 AWG	3/8	2	0.60	1.25	0.11	3.41	0.75	1	MY29-3 (1) MY29-11 (1) Y / PAT644 (1)	W2CRT (2)	W2CVT (2)	U2CRT (2)	Brown	10	1-5/16
YAZ2C2TC38SLBOX500		3/8		0.60	1.25	0.11	3.42	0.75	1							

* Denotes 90° Angle

Note: All dimensions shown are for reference only.

TWO HOLE SLOTTED HYLUG™ LONG BARREL WITH INSPECTION WINDOW

TYPES YAV-2TC-SL AND YAZV-2TC-FXSL

COPPER COMPRESSION TERMINAL

UL Listed 90° C, Up to 35 kV

Compression Slotted Lugs connect copper or tinned copper conductors to bus bars, CPI Racks, Cabinets or Cable Runway. Slotted and 90° Slotted lugs have one round and one oblong hole to match hole spacing on equipment mounting rails on CPI Racks and Cabinets and on most bus bars.

Features & Benefits

- Inspection window allows for visual verification that the wire has been fully inserted prior to crimping the lug
- Barrel is designed with an internal chamfer at the wire entry to ensure smooth insertion of the wire, preventing possible damaging of the wire strands during insertion
- Long barrel allows for an increased number of crimps which will increase the mechanical strength of the connection
- One hole with slotted 2nd hole tongue/tang offers additional flexibility over a 2-hole tongue/tang as the slot provides the installer with multiple mounting hole alignment options. The 2-hole feature minimizes the terminations from loosening or rotating under vibration, movement or heat cycling
- 45° and 90° angular lugs are available; please contact Customer Service
- Electro-tin plated unless otherwise specified to reduce galvanic corrosion (bimetallic) and resist corrosive elements
- Connectors are clearly marked with stamping and barrel color coding



C-103



NOTE: Field bending straight lugs to achieve an angular connection will void UL Listing / CSA Certifications and BURNDY will not be liable for the connection.

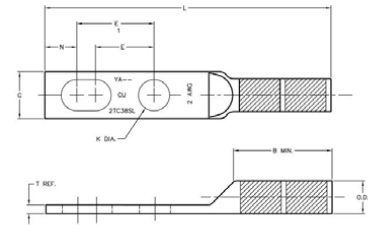


Fig. 1

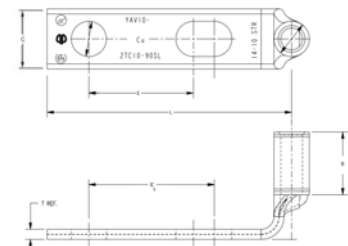


Fig. 2

Compression Connections

Copper Compression — Slotted — Long Barrel — Flex

BURNDY®

TWO HOLE SLOTTED HYLUG™ LONG BARREL WITH INSPECTION WINDOW

TYPES YAV-2TC-SL AND YAZV-2TC-FXSL

(Continued)

C-104

UL Listed 90° C, Up to 35 kV



NOTE: Field bending straight lugs to achieve an angular connection will void UL Listing / CSA Certifications and BURNDY will not be liable for the connection.

Catalog Number	Cond. Size	Stud Hole Size	Fig.	Tongue Width	Figure Dimensions					Installation Tooling (# of crimps)					Wire Strip Length		
					(B)	(T)	(L)	(E)	(E1)	Dieless	Mech.		Hydraulic			Color Code	Die Index
											MD6, OUR840, MD7-34R	BCT500, Y500CT	Y35, Y39, Y750, Y46, PAT750				
YAZV102TC14SL	14 - 10 AWG	1/4	2	0.41	0.69	0.05	2.28	0.62	0.75	Y8MRB-1	—	—	—	—	—	3/4	
YAV102TC1090SL*		#10	1	0.36	0.38	0.06	1.46	0.63	0.75	(1)	—	—	—	—	—	7/16	
YAZV6C2TC38FXSLBOX500	#6 AWG G,H,I,K,M DLO (61/24)	3/8	1	0.58	1.12	0.08	3.22	0.63	1	MY29-3 (1)	W5CRT (2)	W5CRT (2)	U8CABT (2)	Blue	7 or 374	1-3/16	
YAZV6C2TC38FXSL		3/8	1	0.58	1.12	0.08	3.22	0.63	1	MY29-11 (1)	W5CVT (2)	W5CVT (2)					
YAZV6C2TC14FXSLBOX500		1/4	1	0.58	1.12	0.08	3.22	0.63	1	Y / PAT644 (1)	W5CVT (2)	W5CVT (2)					
YAZV6C2TC14FXSL		1/4	1	0.58	1.12	0.08	3.22	0.63	1								
YAZV6C2TC10FX90SL		#10	1	0.48	0.75	0.08	1.50	0.75	1								
YAZV4C2TC14FXSL	#4 AWG G,H,I,K,M DLO (105/24)	1/4	1	0.55	1.25	0.09	2.95	0.63	1	MY29-3 (1)	W4CRT (2)	W4CRT (2)	U4CRT (2)	Gray	8 or 346	1-5/16	
YAZV4C2TC14FXSLBOX500		1/4	1	0.55	1.25	0.09	2.95	0.63	1	MY29-11 (1)	W4CVT (2)	W4CVT (2)					
YAZV4C2TC38FXSL		3/8	1	0.55	1.25	0.09	2.95	0.63	1	Y / PAT644 (1)	W4CVT (2)	W4CVT (2)					
YAZV4C2TC38FXSLBOX500		#4 AWG	3/8	1	0.55	1.25	0.09	2.95	0.63	1	PAT81KFT (1)	X4CRT (2)	X4CRT (2)				
YAZV2C2TC14FXSL	#2 AWG G,H,I,K,M DLO (150/24)	1/4	1	0.60	1.25	0.11	3.42	0.75	1	MY29-3 (1) MY29-11 (1) Y / PAT644 (1)	W2CRT (2)	W2CRT (2)	U2CRT (2)	Brown	10	1-9/16	
YAZV2C2TC14FXSLBOX500		1/4	1	0.60	1.25	0.11	3.42	0.75	1		W2CRT (2)	W2CRT (2)	U2CRT (2)				
YAZV2C2TC38FXSL		3/8	1	0.60	1.25	0.11	3.42	0.75	1		W2CVT (2)	W2CVT (2)					
YAZV2C2TC38FXSLBOX500		#2 AWG	3/8	1	0.60	1.25	0.11	3.42	0.75		1						
YAZV252TC14FXSL		1/4	1	0.83	1.50	0.12	3.44	0.63	1			W25RT (4)	W25RT (4)	U25RT (2)	Pink		12
YAZV252TC14FXSLBOX500	1/0 AWG G,H,I,K,M DLO (275/24)	1/4	1	0.83	1.50	0.12	3.44	0.63	1		W25VT (4)	W25VT (4)					
YAZV252TC38FXSL		3/8	2	0.83	1.50	0.12	3.44	0.63	1		X25RT (4)	X25RT (4)					
YAZV252TC38FXSLBOX500		1/0 AWG	3/8	2	0.83	1.50	0.12	3.44	0.63	1							
YAZV262TC14FXSL	2/0 AWG G,H,I,K,M DLO (325/24)	1/4	1	0.93	1.50	0.13	3.58	0.63	1	MY29-3 (1) MY29-11 (1) Y / PAT644 (1)	W26RT (4)	W26RT (4)	U26RT (2)	Black	13	1-9/16	
YAZV262TC14FXSLBOX500		1/4	1	0.93	1.50	0.13	3.58	0.63	1		W26RT (4)	W26RT (4)	U26RT (2)				
YAZV262TC38FXSL		3/8	1	0.93	1.50	0.13	3.58	0.63	1		W26VT (4)	W26VT (4)					
YAZV262TC38FXSLBOX500		2/0 AWG	3/8	1	0.93	1.50	0.13	3.58	0.63		1	X26RT (4)	X26RT (4)				
YAZV282TC14FXSL	4/0 AWG G,H,I,K,M DLO (550/24)	1/4	1	1.14	1.62	0.15	3.64	0.63	1	MY29-3 (1) MY29-11 (1) Y / PAT644 (1)	W28VT (4)	W28VT (4)	U28RT (2)	Purple	15	1-11/16	
YAZV282TC14FXSLBOX500		1/4	1	1.14	1.62	0.15	3.64	0.63	1		W28RT (4)	W28RT (4)	U28RT (2)				
YAZV282TC38FXSL		3/8	1	1.14	1.62	0.15	3.64	0.63	1		X28RT (6)	X28RT (6)					
YAZV282TC38FXSLBOX500		4/0 AWG	3/8	1	1.14	1.62	0.15	3.64	0.63		1						

* Denotes 90° Angle

Note: All dimensions shown are for reference only.

HYLUG™ SPLIT TONGUE STANDARD BARREL TERMINALS

TYPES YA-L-4TC, YAV-L-4TC-FX

UL Listed 90° C, Up to 35 kV ♦

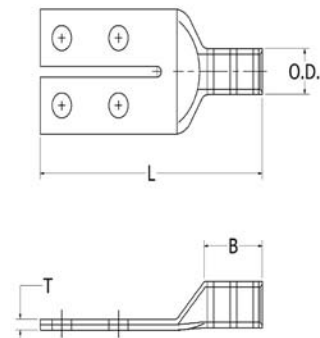
NOTE: Field bending straight lugs to achieve an angular connection will void UL Listing / CSA Certifications and BURNDY will not be liable for the connection.



C-105

Features & Benefits

- Inspection window allows for visual verification that the wire has been fully inserted prior to crimping the lug
- Split feature in the tongue/tang is used when connecting two separate terminal blocks for the same phase; the slot provides the needed equipment gap while allowing the proper mounting hole alignment
- Barrel is designed with an internal chamfer at the wire entry to ensure smooth insertion of the wire, preventing possible damaging of the wire strands during insertion
- Short/Standard length barrel is recommended for installations with limited space requirements
- Two hole tongue/tang is recommended when space permits as the 2-hole feature minimizes the terminations from loosening or rotating under vibration, movement, or heat cycling
- 45° and 90° angular lugs are available; please contact Customer Service
- Electro-tin plated unless otherwise specified to reduce galvanic corrosion (bimetallic) and resist corrosive elements
- Connectors are clearly marked with stamping and barrel color coding



Compression Connections

BURNDY®

Copper Compression — Split Tongue — Standard Barrel — Code/Flex

HYLUG™ SPLIT TONGUE STANDARD BARREL TERMINALS



TYPES YA-L-4TC, YAV-L-4TC-FX
(Continued)

C-106

UL Listed 90° C, Up to 35 kV ♦



NOTE: Field bending straight lugs to achieve an angular connection will void UL Listing / CSA Certifications and BURNDY will not be liable for the connection.

Catalog Number	Wire Size	Stud Hole Size	Stud Hole Spacing	Tongue Width	Figure Dimensions			Dieless (# of crimps)	Installation Tooling				Wire Strip Length	
					(B)	(T)	(L)		Mech.	Hydraulic		Color Code		Die Index
										MD6, OUR840, MD7-34R	BCT500, Y500CT			
YA25L4TCG1	1/0 AWG	1/4	0.62	1.38	0.88	0.11	3.05	MY29-3 (1) MY29-11 (1) Y / PAT644 (1)	X25RT(2) W25RT(2) W25VT(2)	X25RT(2) W25RT(2) W25VT(2)	U25RT(1) U2CABT(1)	Pink	12 or 348	15/16
YA26L4TCG1	2/0 AWG	1/4	0.62	1.38	0.94	0.21	3.15		X26RT(2) W26RT(2) W26VT(2)	X26RT(2) W26RT(2) W26VT(2)	U26RT(1) U26D-1(1)	Black	13	1
YA27L4TCG1	3/0 AWG	1/4	0.62	1.38	1.00	0.21	3.25		X27RT(3) W27RT(2) W27VT(2)	X27RT(3) W27RT(2) W27VT(2)	U27RT(1) U27D-1(1)	Orange	14	1-1/16
YA28L4TCG1	4/0 AWG	1/4	0.62	1.38	1.00	0.21	3.29		X28RT(3) W28RT(2) W28VT(2)	X28RT(3) W28RT(2) W28VT(2)	U28RT(1) U28D-1(1)	Purple	15	1-1/8
YAV28L4TCG1		1/4	0.62	1.38	1.00	0.21	3.29		X28RT(3) W28RT(2) W28VT(2)	X28RT(3) W28RT(2) W28VT(2)	U28RT(1)	Purple	15	11/16
YA29L4TCG1	250 kcmil	1/4	0.62	1.38	1.06	0.21	3.39		X29RT(4) W29RT(2) W29VT(2)	X29RT(4) W29RT(2) W29VT(2)	U29RT(1) U29D—1(1)	Yellow	16	1-1/8
YA31L4TCG1	350 kcmil	1/4	0.62	1.38	1.06	0.21	3.46		W31RT(2) W31VT(2)	W31RT(2) W31VT(2)	U31RT(2) U29ART(2)	Red	18 or 324	1-1/8
FLEX CONDUCTOR														
YAV2CL4TC14FXG1	#2 AWG G,H,I,K,M DLO (150/24) #2 AWG	1/4	0.62	1.38	0.62	0.11	2.84	MY29-11(1) Y / PAT644(1)	X2CRT(1) W2CRT(1) W2CVT(1)	X2CRT(1) W2CRT(1) W2CVT(1)	U2CRT(1)	Brown	10	11/16
YAV25L4TC14FXG1	1/0 AWG G,H,I,K,M DLO (275/24) 1/0 AWG	1/4	0.75	1.38	0.69	0.21	2.90	MY29-3 (1) MY29-11 (1) Y / PAT644 (1)	X25RT(1) W25RT(1) W25VT(1)	X25RT(1) W25RT(1) W25VT(1)	U25RT(1)	Pink	12	13/16
YAV26L4TC14FXG1	2/0 AWG G,H,I,K,M DLO (325/24) 2/0 AWG	1/4	0.75	1.38	0.81	0.21	3.07		X26RT(2) W26RT(2) W26VT(2)	X26RT(2) W26RT(2) W26VT(2)	U26RT(1)	Black	13	1-1/16
YAV27L4TC14FXG1	3/0 AWG G,H,I,K,M DLO (450/24) 3/0 AWG	1/4	0.75	1.38	1.00	0.21	3.30		X27RT(3) W27RT(2) W27VT(2)	X27RT(3) W27RT(2) W27VT(2)	U27RT(1)	Orange	14	1-1/16
YAV28L4TC14FXG1	4/0 AWG G,H,I,K,M DLO (550/24) 4/0 AWG	1/4	0.75	1.38	1.00	0.21	3.38		X28RT(3) W28RT(2) W28VT(2)	X28RT(3) W28RT(2) W28VT(2)	U28RT(1)	Purple	15	11/16

HYLUG™ SPLIT TONGUE LONG BARREL TERMINALS WITH INSPECTION WINDOW

TYPES YA-4TC, YAV-4TC-FX

UL Listed 90° C, Up to 35 kV ♦

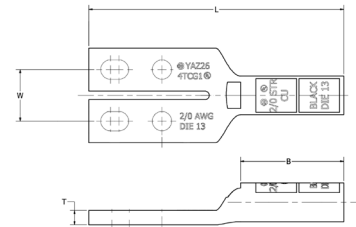


C-107

Features & Benefits

- Inspection window allows for visual verification that the wire has been fully inserted prior to crimping the lug
- Split feature in the tongue/tang is used when connecting two separate terminal blocks for the same phase; the slot provides the needed equipment gap while allowing the proper mounting hole alignment
- Barrel is designed with an internal chamfer at the wire entry to ensure smooth insertion of the wire, preventing possible damaging of the wire strands during insertion
- Short/Standard length barrel is recommended for installations with limited space requirements
- Two hole tongue/tang is recommended when space permits as the 2-hole feature minimizes the terminations from loosening or rotating under vibration, movement, or heat cycling
- 45° and 90° angular lugs are available; please contact Customer Service
- Electro-tin plated unless otherwise specified to reduce galvanic corrosion (bimetallic) and resist corrosive elements
- Connectors are clearly marked with stamping and barrel color coding

NOTE: Field bending straight lugs to achieve an angular connection will void UL Listing / CSA Certifications and BURNDY will not be liable for the connection.



Catalog Number	Wire Size	Stud Hole Size	Stud Hole Spacing	Tongue Width	Figure Dimensions			Dieless (# of crimps)	Installation Tooling			Color Code	Die Index	Wire Strip Length
					(B)	(T)	(L)		Mech.	Hydraulic				
										MD6, OUR840, MD7-34R	BCT500, Y500CT			
YAZ254TCG1	1/0 AWG	1/4	0.62	1.38	1.38	0.11	3.55	MY29-3 (1) MY29-11 (1) Y / PAT644 (1)	X25RT(1)	X25RT(1)	U25RT (2)	Pink	12 or 348	1-7/16
YAZ254TC38E1G1		3/8	1.00	1.63	1.38	0.11	3.93		W25RT(1)	W25RT(1)	U2CABT (2)			
YAZ264TC38E1G1	2/0 AWG	3/8	1.00	1.63	1.50	0.21	4.09		X26RT(2)	X26RT(2)	U26RT (2)	Black	13	1-9/16
YAZ264TCG1		1/4	0.62	1.38	1.50	0.21	3.71		W26RT(2)	W26RT(2)	U26D-1 (2)			
YAZ284TCG1	4/0 AWG	1/4	0.62	1.38	1.62	0.21	3.91		X28RT(3)	X28RT(3)	U28RT(1)	Purple	15	1-11/16
YAZ294TCG1	250 kcmil	1/4	0.62	1.38	1.62	0.21	3.94		X29RT(4)	X29RT(4)	U29RT (2)	Yellow	16	1-11/16
YAZ314TCG1	350 kcmil	1/4	0.62	1.38	2.00	0.21	4.39	W28RT(2)	W28RT(2)	U29D-1 (2)	Red	18 or 324	2-1/16	
								W29RT(2)	W29RT(2)	U31D-1 (2)				
									W31RT(2)	W31RT(2)	U31RT (2)			
									W31VT(2)	W31VT(2)	U29ART (2)			

Compression Connections

BURNDY®

Copper and Aluminum Compression — Narrow Tongue — One and Two Hole

E-LINE HYLUG™ EQUIPMENT LINE

TYPE YA-E

C-108

COPPER AND ALUMINUM COMPRESSION TERMINAL



UL Listed 90° C, 600 Volts to 35 kV ♦

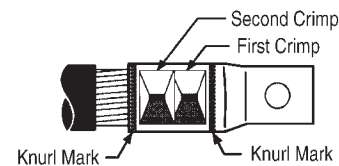
YA-E Equipment terminals are designed to provide replacements for original equipment mechanical or other compression terminals. These narrow tongue terminals are specially designed to fit in tight areas. Whether you're upgrading or replacing, YA-E connectors will provide for any of your cable termination needs. When installed with our dieless tool, these terminals can accommodate a range of conductor sizes.



NOTE: Field bending straight lugs to achieve an angular connection will void UL Listing / CSA Certifications and BURNDY will not be liable for the connection.

Features & Benefits

- No inspection window is ideal for more corrosive environments as the barrel transition is not open
- Narrow tongue/tang is designed to allow for more parallel terminations of wire in limited space applications
- Terminals are available in Copper or Aluminum material
- Aluminum terminals accommodate both copper and aluminum wire
- Barrel is designed with an internal chamfer at the wire entry to ensure smooth insertion of the wire strands during insertion
- One or two-hole tongue/tang styles are available; 2-hole tongue/tang is recommended when space permits as the 2-hole feature minimizes the terminations from loosening or rotating under vibration, movement, or heat cycling
- Electro-tin plated unless otherwise specified to reduce galvanic corrosion (bimetallic) and resist corrosive elements
- Connectors are marked with stamping and most are color-coded also



For Two Crimps

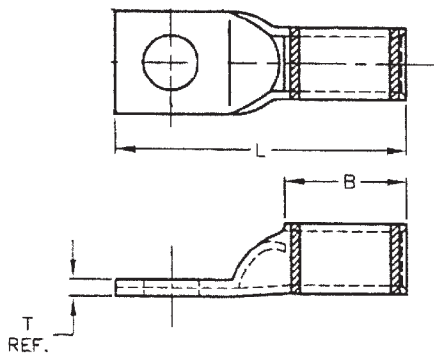


Fig. 1

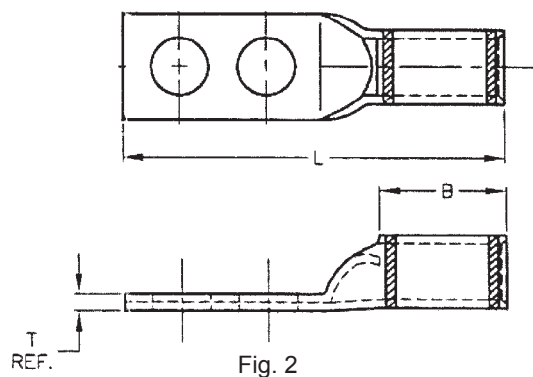


Fig. 2

E-LINE HYLUG™ EQUIPMENT LINE

TYPE YA-E

COPPER AND ALUMINUM COMPRESSION TERMINAL

UL Listed 90° C, 600 Volts to 35 kV ♦
(Continued)



C-109

NOTE: Field bending straight lugs to achieve an angular connection will void UL Listing / CSA Certifications and BURNDY will not be liable for the connection.

COPPER E-LINE HYLUG™ COMPRESSION TERMINALS

Catalog Number	Fig. No.	Conductor Accommodations		Stud Hole Size	Stud Hole Spacing	Tongue Width (max)	Dimensions			Dieless (# of crimps)	Installation Tooling				Wire Strip Length
		Copper Only					B	T	L		Mechanical	Hydraulic	Color Code	Die Index	
		AWG/KCMIL	Expanded Wire Range using Y / PAT644												
YA25LN50T14E	1	1/0 AWG	#6 - 1/0 AWG	1/4	—	0.50	0.88	0.12	1.84	Y / PAT644 (1)	W25RT (2)	U25RT (1)	Pink	12 or 348	15/16
YA25LN64T516E				5/16	—	0.64	0.88	0.12	1.96		Y / PAT81KFT (1)	W25VT (2)			
YA26LN50T14E	1	2/0 AWG	#4 - 2/0 AWG	1/4	—	0.50	0.94	0.12	1.94	Y / PAT81KFT (1)	W26RT (2) W26VT (2)	U26RT (1)	Black	13	1
YA30L24N100T38E	1	300 kcmil	2/0 AWG - 300 kcmil	3/8	—	1.00	1.03	0.16	2.44	Y / PAT644 (1) Y / PAT81KFT (2)	W30RT (2)	U30RT (2) U28ART (2)	White	17 or 298	1-1/16
YA34L6N131T12E	1	500 kcmil	4/0 AWG - 500 kcmil	1/2	—	1.31	1.27	0.23	3.31		Y / PAT81KFT (2)	—	U34RT (2) U31ART (2) P34RT (2)	Brown	20 or 299
YA34LNN119T12E	2			1/2	1.75	1.19	1.27	0.22	5.06						
YA34LNN131T12E	2			1/2	1.75	1.31	1.27	0.22	5.06						
YA39L6N131T12E	1	750 kcmil	500 - 750 kcmil	1/2	—	1.31	1.42	0.27	3.61	—	—	U39RT (2)	Black	24	1-1/2
YA39LNN131T12E	2			1/2	1.75	1.31	1.42	0.27	5.37						

ALUMINUM E-LINE HYLUG™ COMPRESSION TERMINALS

Catalog Number	Fig. No.	Conductor Accommodations		Stud Hole Size	Stud Hole Spacing	Tongue Width (max)	Dimensions			Dieless (# of crimps)	Installation Tooling			Wire Strip Length
		Aluminum	Copper or Aluminum				B	T	L		Hydraulic	Color Code	Die Index	
		AWG/KCMIL	Expanded Wire Range using Y644M											
YA8CA3S56T14E	1	#8 AWG	#8 AWG	1/4	—	0.56	0.62	0.09	1.65	Y / PAT644 (1) Y / PAT81KFT (1)	U8CABT (1)	Blue	374	11/16
YA2CA5S53T14E	1	#2 AWG	#6 - #2 AWG	1/4	—	0.53	1.00	0.22	2.25		U2CABT (1)	Pink	348	1-3/16
YA2CA1S91T516E				5/16	—	0.91	1.12	0.16	2.50					
YA25A1S60T516E	1	1/0 AWG	#1 - 1/0 AWG	5/16	—	0.63	1.00	0.21	2.29		U25ART (1)	Tan	296	1-1/8
YA25A3N69T38E				3/8	—	0.69	1.05	0.21	2.38					

† A variety of BURNDY® installation tools are available and not all tools are listed. If you require additional tooling information, please feel free to call our customer service department for other recommendations.

* Use PUADP-1 adapter with U dies in Y46 HYPRESS™, P-RT die sets for use in Y46 HYPRESS™ only. PUADP-1 adapter not required.

** 900 Compact Aluminum Cable not UL Listed. Tested with Y644HSXT and PAT644XT-18V dieless tools only. Note: All dimensions shown are for reference only. Overlap crimps when using U Dies.

Compression Connections

Copper and Aluminum Compression — Narrow Tongue — One and Two Hole

BURNDY®

E-LINE HYLUG™ EQUIPMENT LINE

TYPE YA-E

C-110

COPPER AND ALUMINUM COMPRESSION TERMINAL

UL Listed 90° C,
600 Volts to 35 kV ♦
(Continued)



NOTE: Field bending straight lugs to achieve an angular connection will void UL Listing / CSA Certifications and BURNDY will not be liable for the connection.

ALUMINUM E-LINE HYLUG™ COMPRESSION TERMINALS

Catalog Number	Fig. No.	Conductor Accommodations		Stud Hole Size	Stud Hole Spacing	Tongue Width (max)	Dimensions			Installation Tooling				Wire Strip Length	
		Aluminum	Copper or Aluminum				B	T	L	Dieless (# of crimps)	Hydraulic Y35, Y / PAT750, Y / PAT46, (# of crimps)	Color Code	Die Index		
		AWG/KCMIL	Expanded Wire Range using Y644M												
YA26A13N100T516E	1	2/0 AWG	#1 - 2/0 AWG	5/16	—	1.00	1.11	0.24	2.45	Y / PAT644 (1) Y / PAT81KFT (2)	U26ART (2)	Olive	297	1-3/16	
YA26A6N100T38E				3/8	—	1.00	1.11	0.24	2.53		U27ART (2)	Ruby	467	1-3/16	
YA27A10S76T516E	1	3/0 AWG	#1 - 3/0 AWG	5/16	—	0.76	1.11	0.26	2.58		U28ART (2)	White	298	1-7/16	
YA28A14N100T516E	1	4/0 AWG	1/0 - 4/0 AWG	3/8	—	1.00	1.39	0.30	2.85		U30ART (2)	Blue	470	1-5/8	
YA28A1N100T38E				5/16	—	1.00	1.39	0.30	2.94						
YA30A9N100T516E	1	300 kcmil	2/0 AWG - 300 kcmil	5/16	—	1.00	1.53	0.36	3.12		Y / PAT644 (1) Y / PAT81KFT (2)	U31ART (2)	Brown	299	1-7/8
YA30A6N100T38E				3/8	—	1.00	1.53	0.36	3.20						
YA30A1N131T12E				1/2	—	1.31	1.53	0.35	3.57						
YA31A11N100T516E	1	350 kcmil	3/0 AWG - 350 kcmil	5/16	—	1.00	1.85	0.39	3.51		Y / PAT644 (1) Y / PAT81KFT (2)	U32ART (4)	Green	472	2-5/16
YA31A9N100T38E				3/8	—	1.00	1.85	0.39	3.59						
YA32A8N106T516E	1	400 kcmil	4/0 AWG - 400 kcmil	5/16	—	1.06	2.26	0.43	3.92	Y / PAT644HS (2) Y / PAT81KFT (2)	U34ART (4)	Pink	300	1-11/16	
YA34A8N131T38E	1	500 kcmil	4/0 AWG - 500 kcmil	3/8	—	1.31	1.64	0.35	3.88						
YA34A7N131T12E				1/2	—	1.31	1.64	0.35	3.88						
YA34A3N131T12E				1/2	1.75	1.31	1.64	0.39	5.71						
YA36A9N131TD12E				1/2	—	1.31	1.64	0.39	3.98						
YA36A3N131TD38E				3/8	—	1.31	1.64	0.39	5.32						
YA36A3N131TD12E				1/2	1.75	1.31	1.64	0.39	5.71						
YA39A1N131TD12E				1	750 kcmil	500 - 900 kcmil Aluminum 500 kcmil Copper Only	1/2	—	1.31						1.86
YA39A5N131TD12E	2	1/2	1.75	1.31			1.86	0.31	6.09						

† A variety of BURNDY® installation tools are available and not all tools are listed. If you require additional tooling information, please feel free to call our customer service department for other recommendations.

* Use PUADP-1 adapter with U dies in Y46 HYPRESS™, P-RT die sets for use in Y46 HYPRESS™ only. PUADP-1 adapter not required.

** 900 Compact Aluminum Cable not UL Listed. Tested with Y644HSXT and PAT644XT-18V dieless tools only.
Note: All dimensions shown are for reference only. Overlap crimps when using U Dies.

**ONE HOLE HYLUG™
CODE CONDUCTOR STANDARD BARREL**

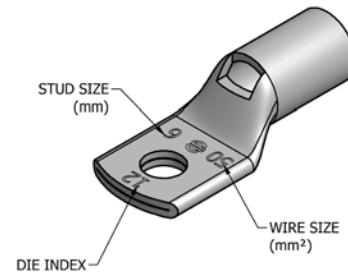
TYPE YAV-M

Rated for 90° C, Up to 35 kV ♦

Made from electrolytic copper tube and is electro tin plate. Wire range is from 2.5 mm² to 630 mm² Class 2. Compatible to **IEC61238-1**.

NOTE: Field bending straight lugs to achieve an angular connection will void UL Listing / CSA Certifications and BURNDY will not be liable for the connection.

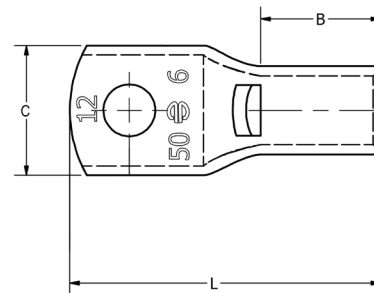
Electro-Tin
Plated



C-111

Features & Benefits

- Inspection window allows for visual verification that the wire has been fully inserted prior to crimping the lug
- Barrel is designed with an internal chamfer at the wire entry to ensure smooth insertion of the wire, preventing possible damaging of the wire strands during insertion
- Short/Standard length barrel is recommended for installations with limited space requirements
- Electro-tin plated unless otherwise specified to reduce galvanic corrosion (bimetallic) and resist corrosive elements
- Compatible Standards: IEC61238-1, UL 486A-486B, CSA-C22.2 No. 65-03
- Connectors are clearly marked with stamping



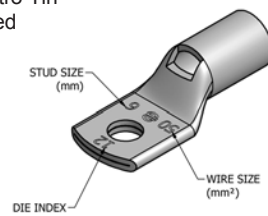
Compression Connections

BURNDY®

Metric Lugs — Copper Compression — Code — Standard Barrel

ONE HOLE HYLUG™ CODE CONDUCTOR STANDARD BARREL

Electro-Tin
Plated



NOTE: Field bending straight lugs to achieve an angular connection will void UL Listing / CSA Certifications and BURNDY will not be liable for the connection.

C-112

TYPE YAV-M

Rated for 90° C, Up to 35 kV ◆

(Continued)

Catalog Number	Copper		Stud Size	Dimensions (mm)				Dieless	Installation Tooling			Die Index	Wire Strip Length	
	Wire Range mm² (AWG)	Class		(B)	(C)	(L)	Tongue Thickness		Mechanical	Hydraulic				
YAV025M3	1.5 - 2.5 (20 - 14)	2, 5	M3	6.7	7.9	19.1	1.0	Y10D (1), Y10-22 (1), MR8G98 (1), MR8-9Q (1), Y8MRB-1 (1), MR20 (1)	—	—	—	—	7	
YAV025M4			M4	6.7	7.9	19.1	1.0							
YAV025M5			M5	6.7	7.9	19.1	1.0							
YAV025M6			M6	6.7	10.7	24.2	0.8							
YAV025M8			M8	6.7	11.0	24.2	0.8							
YAV06M35	4 - 6 (12 - 10)	2, 5	M3.5	10.5	7.6	23.7	1.8		Y1MRTC (1), MY29-11 (1), MRC840 (1), Y / PAT81KFT (1)	—	—	—	—	11
YAV06M4			M4	10.4	9.5	23.9	1.5							
YAV06M5			M5	10.4	9.5	23.9	1.5							
YAV06M6			M6	10.4	11.9	26.9	1.3							
YAV06M8			M8	10.4	13.5	28.7	1.0							
YAV06M10	M10	9.5	14.2	31.0	1.0									
YAV10M4	10 (8)	2, 5	M4	11.2	10.4	29.1	2.0	Y1MRTC (1), MY29-11 (1), MRC840 (1), Y / PAT81KFT (1)		W8CVT (1) W8CRT (1) X8CRT (1)	W8CVT (1) W8CRT (1) X8CRT (1)	U8CRT (1)	49	11
YAV10M5			M5	11.2	10.4	28.5	1.8							
YAV10M6			M6	11.2	1.0	31.0	1.8							
YAV10M8			M8	11.2	13.2	33.0	1.5							
YAV10M10			M10	11.2	14.5	33.0	1.3							
YAV10M12	M12	11.2	18.5	38.6	1.3									
YAV16M4	16 (6)	2, 5	M4	12.7	12.2	31.5	2.3		Y1MRTC (1), MY29-11 (1), MRC840 (1), Y / PAT644 (1), Y / PAT81KFT (1)	W5CVT (1) W5CRT (1) X5CRT (1)	W5CVT (1) W5CRT (1) X5CRT (1)	U5CRT (1)	7	13
YAV16M5			M5	12.7	12.2	33.0	2.0							
YAV16M6			M6	12.7	12.2	33.0	2.0							
YAV16M8			M8	12.7	15.2	36.3	1.5							
YAV16M10			M10	12.7	14.7	40.9	1.5							
YAV16M12	M12	12.7	18.8	41.6	1.3									
YAV25M5	25 (4)	2, 5	M5	12.7	14.0	33.5	2.3	Y1MRTC (2), MY29-11 (1), MRC840 (1), Y / PAT644 (1), Y / PAT81KFT (1)		W3CRT (1)	W3CRT (1)	U3CRT (1)	9	13
YAV25M6			M6	12.7	12.7	34.5	2.0							
YAV25M8			M8	12.7	16.0	37.6	2.0							
YAV25M10			M10	12.7	14.7	41.4	2.0							
YAV25M12			M12	12.7	18.5	42.7	1.5							
YAV35M5	35 (2)	2, 5	M5	16.0	17.3	38.1	2.5		MY29-11 (1) MRC840 (2), Y / PAT644 (1), Y / PAT81KFT (1)	W2CVT (1) W2CRT (1) X2CRT (1)	W2CVT (1) W2CRT (1) X2CRT (1)	U2CRT (1)	10	17
YAV35M6			M6	11.7	17.3	43.7	2.5							
YAV35M8			M8	11.7	17.3	43.7	2.5							
YAV35M10			M10	11.7	17.3	45.9	2.5							
YAV35M12			M12	11.7	19.6	47.5	2.3							
YAV35M16	M16	11.7	21.1	58.7	3.0									
YAV50M5	50 (2)	2	M5	16.0	17.3	38.1	2.5	MY29-11 (1) MRC840 (2), Y / PAT644 (1), Y / PAT81KFT (1)		W25VT (2) W25RT (2) X25RT (2)	W25VT (2) W25RT (2) X25RT (2)	U25RT (1)	12	17
YAV50M6			M6	16.0	17.3	38.1	2.5							
YAV50M8			M8	16.0	17.3	42.9	2.5							
YAV50M10			M10	16.0	17.3	45.9	2.5							
YAV50M12			M12	16.0	18.5	52.3	2.5							
YAV50M14	M14	16.0	21.1	53.3	3.0									
YAV50M16	M16	16.0	25.9	58.7	3.6									

* Use equivalent AWG setting on tool for installation

** PUADP-1 Adaptor is required to use "U" Dies in Y46 and PAT46 series tools

† P-RT Die sets for use in Y46 only, PUADP-1 Adaptor not required

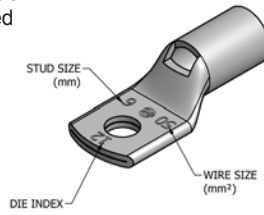
ONE HOLE HYLUG™
CODE CONDUCTOR
STANDARD BARREL

TYPE YAV-M

Rated for 90° C, Up to 35 kV ♦

(Continued)

Electro-Tin
Plated



NOTE: Field bending straight lugs to achieve an angular connection will void UL Listing / CSA Certifications and BURNDY will not be liable for the connection.

C-113

Catalog Number	Copper		Stud Size	Dimensions (mm)				Dieless	Installation Tooling			Wire Strip Length	
	Wire Range mm² (AWG)	Class		(B)	(C)	(L)	Tongue Thickness		Mechanical	Hydraulic	Die Index		
YAV70M5	70 (1/0)	2	M5	17.5	21.1	41.4	3.0	MY29-11 (1) MRC840 (2), Y / PAT644 (1), Y / PAT81KFT (1)	W26VT (2) W26RT (2) X26RT (2)	W26VT (2) W26RT (2) X26RT (2)	U26RT (1)	13	19
YAV70M6			M6	17.5	21.1	44.5	3.0						
YAV70M8			M8	17.5	21.1	46.0	3.0						
YAV70M10			M10	17.5	21.1	49.3	3.0						
YAV70M12			M12	17.5	21.1	55.6	3.0						
YAV70M14			M14	17.5	22.4	56.6	2.8						
YAV70M16	M16	17.5	22.4	62.0	2.8								
YAV95M6	95 (2/0)	2	M6	20.6	23.6	45.8	3.3	MY29-11 (1), MRC840 (2), Y / PAT644 (1), Y / PAT81KFT (2)	W27VT (2) W27RT (2) X27RT (3)	W27VT (2) W27RT (2) X27RT (3)	U27RT (1)	14	22
YAV95M8			M8	20.6	23.6	50.3	3.3						
YAV95M10			M10	20.6	23.6	53.6	3.3						
YAV95M12			M12	20.6	23.6	59.9	3.3						
YAV95M14			M14	20.6	23.6	61.0	3.3						
YAV95M16			M16	20.6	23.6	66.3	3.3						
YAV95M20	M20	20.6	30.5	77.4	4.1								
YAV120M6	120 (4/0)	2	M6	26.2	29.0	53.6	3.8	MY29-11 (1), MRC840 (2), Y / PAT644 (1), Y / PAT81KFT (2)	W28VT (2) W28RT (2) X28RT (2)	W28VT (2) W28RT (2) X28RT (2)	U28RT (1)	15	27
YAV120M8			M8	26.2	29.0	58.2	3.8						
YAV120M10			M10	26.2	29.0	61.5	3.8						
YAV120M12			M12	26.2	29.0	67.8	3.8						
YAV120M14			M14	26.2	29.0	68.8	3.8						
YAV120M16			M16	26.2	29.0	74.2	3.8						
YAV120M20	M20	26.2	29.0	85.2	3.8								
YAV150M8	150 (300)	2	M8	26.2	30.5	58.7	4.1	MY29-11 (1), MRC840 (2), Y / PAT644 (1), Y / PAT81KFT (2)	W30VT (2)	W30VT (2) W30RT (2)	U30RT (2)	17	27
YAV150M10			M10	26.2	30.5	62.0	4.1						
YAV150M12			M12	26.2	30.5	68.3	4.1						
YAV150M14			M14	26.2	30.5	69.2	4.1						
YAV150M16			M16	26.2	30.5	74.7	4.1						
YAV150M20			M20	26.2	30.5	85.7	4.1						
YAV185M8	185 (350)	2	M8	26.9	32.8	60.2	4.6	Y / PAT644 (1), Y / PAT81KFT (2)	W31VT (2)	W31VT (2) W31RT (2)	U31RT (2)	18	29
YAV185M10			M10	26.9	32.8	63.5	4.3						
YAV185M12			M12	26.9	32.8	69.9	4.3						
YAV185M14			M14	26.9	32.8	70.8	4.6						
YAV185M16			M16	26.9	32.8	76.2	4.6						
YAV185M20			M20	26.9	32.8	87.3	4.6						
YAV240M10	240 (500)	2	M10	32.3	39.4	72.9	5.8	Y / PAT644 (1), Y / PAT81KFT (2)	W34VT (2)	W34VT (2) W34RT (2)	U34RT (2)	20	33
YAV240M12			M12	32.3	39.4	80.2	5.6						
YAV240M14			M14	32.3	39.4	81.3	5.8						
YAV240M16			M16	32.3	39.4	85.6	5.8						
YAV240M20			M20	32.3	39.4	96.6	5.8						
YAV300M10			300 (600)	2	M10	35.1	44.2						
YAV300M12	M12	35.1			44.2	83.6	6.6						
YAV300M14	M14	35.1			44.2	84.6	6.9						
YAV300M16	M16	35.1			44.2	89.9	6.9						
YAV300M20	M20	35.1			44.2	100.9	6.9						

* Use equivalent AWG setting on tool for installation

** PUADP-1 Adaptor is required to use "U" Dies in Y46 and PAT46 series tools

† P-RT Die sets for use in Y46 only, PUADP-1 Adaptor not required

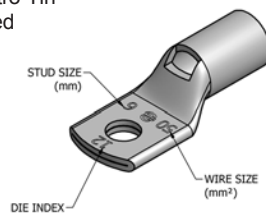
Compression Connections

BURNDY®

Metric Lugs — Copper Compression — Code — Standard Barrel

ONE HOLE HYLUG™ CODE CONDUCTOR STANDARD BARREL

Electro-Tin
Plated



NOTE: Field bending straight lugs to achieve an angular connection will void UL Listing / CSA Certifications and BURNDY will not be liable for the connection.

C-114

TYPE YAV-M

Rated for 90° C, Up to 35 kV ◆

(Continued)

Catalog Number	Copper		Stud Size	Dimensions (mm)				Installation Tooling				Wire Strip Length	
	Wire Range mm ² (AWG)	Class		(B)	(C)	(L)	Tongue Thickness	Dieless	Mechanical		Hydraulic		Die Index
									MD6, OUR840, MD7-34R	BCT500, Y500CT	Y35, Y39, Y/PAT750, Y/PAT46**		
YAV400M12	400 (800)	2	M12	36.1	50.3	87.1	7.6	Y / PAT644 (1), Y / PAT81KFT (3)	—	—	U39RT (3)	24	37
YAV400M14			M14	36.1	50.3	88.1	7.6						
YAV400M16			M16	36.1	50.3	93.5	7.6						
YAV400M20			M20	36.1	50.3	104.5	7.6						
YAV500M12	500 (1000)	2	M12	41.9	55.6	96.2	8.1	—	—	U44XRT (3) •P44XRT (3)	L115	43	
YAV500M16			M16	41.9	55.6	102.6	8.4						
YAV500M20			M20	41.9	55.6	113.7	8.4						
YAV630M12	630 (1250)	2	M12	50.8	62.5	107.7	9.7	—	—	P45RT (3)	29	55	
YAV630M16			M16	50.8	62.5	114.0	9.7						
YAV630M20			M20	50.8	62.5	125.2	9.7						

* Use equivalent AWG setting on tool for installation

** PUADP-1 Adaptor is required to use "U" Dies in Y46 and PAT46 series tools

• P-RT dies for Y / PAT46 Tooling only

ONE HOLE HYLUG™ CODE CONDUCTOR LONG BARREL

TYPE YALB-M

Rated for 90° C, Up to 35 kV ♦

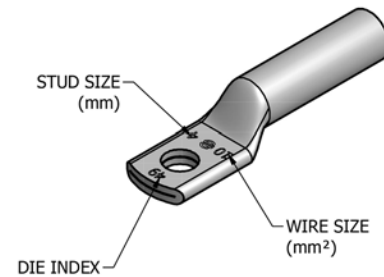
Made from electrolytic copper tube and is electro tin plate. Wire range is from 10 mm² to 630 mm² Class 2. Compatible to IEC61238-1.

NOTE: Field bending straight lugs to achieve an angular connection will void UL Listing / CSA Certifications and BURNDY will not be liable for the connection.

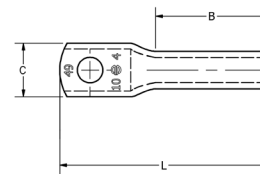
Features & Benefits

- No inspection window is ideal for more corrosive environments as the barrel transition is not open
- Barrel is designed with an internal chamfer at the wire entry to ensure smooth insertion of the wire, preventing possible damaging of the wire strands during insertion
- Long barrel allows for an increased number of crimps which will increase the mechanical strength of the connection
- Electro-tin plated unless otherwise specified to reduce galvanic corrosion (bimetallic) and resist corrosive elements
- Compatible Standards: IEC61238-1, UL 486A-486B, CSA-C22.2 No. 65-03

Electro-Tin
Plated



C-115



Compression Connections

BURNDY®

Metric Lugs — Copper Compression — Code — Long Barrel

ONE HOLE HYLUG™ CODE CONDUCTOR LONG BARREL

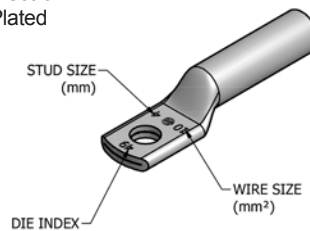
TYPE YALB-M

Rated for 90° C, Up to 35 kV ♦

(Continued)

C-116

Electro-Tin
Plated



NOTE: Field bending straight lugs to achieve an angular connection will void UL Listing / CSA Certifications and BURNDY will not be liable for the connection.

Catalog Number	Wire Range (MM²)	Stud Size	Dimensions (mm)				Installation Tooling					Wire Strip Length
			Tongue Thickness	(B)	(C)	(L)	Dieless	Mechanical		Hydraulic Y35, Y39, Y/PAT750, Y/PAT46 †	Die Index	
								MD6, OUR840, MD7-34R	BCT500, Y500CT			
YALB10M4	10	M4	2.3	20.6	9.7	38.1	Y1MRTC (2) MY29-11 (1) MRC840 (2) Y/PAT81KFT (1)	W8CVT (2) W8CRT (2) X8CRT (2)	W8CVT (2) W8CRT (2) X8CRT (2)	U8CRT (2)	49	22
YALB10M5		M5	2	20.6	10.4	39.9						
YALB10M6		M6	2	20.6	11.2	42.9						
YALB10M8		M8	1.5	20.6	13.2	44.5						
YALB10M10		M10	1.5	20.6	14.7	47.8						
YALB10M12		M12	3	20.6	21.1	58.9						
YALB16M4	16	M4	2	28.4	11.4	47.2	Y1MRTC (2) MY29-11 (2) MRC840 (2) Y/PAT644 (1) Y/PAT81KFT (1)	W5CVT (2) W5CRT (2) X5CRT (2)	W5CVT (2) W5CRT (2) X5CRT (2)	U5CRT (2)	7	30
YALB16M5		M5	2	28.4	11.4	48.8						
YALB16M6		M6	2	28.4	12.2	51.8						
YALB16M8		M8	1.8	28.4	13.2	53.6						
YALB16M10		M10	1.5	28.4	14.7	59.2						
YALB16M12		M12	3	28.4	19.1	63.0						
YALB25M5	25	M5	2.3	31.8	14	53.6	Y1MRTC (4) MY29-11 (2) MRC840 (2) Y/PAT644 (1) Y/PAT81KFT (1)	W3CRT (2)	W3CRT (2)	U3CRT (2)	9	33
YALB25M6		M6	2.3	31.8	14	56.6						
YALB25M8		M8	2.3	31.8	14	58.4						
YALB25M10		M10	2	31.8	14.7	61.5						
YALB25M12		M12	3	31.8	21.1	67.8						
YALB35M5		35	M5	2.5	35.1	17.3						
YALB35M6	M6		2.5	35.1	17.3	60.7						
YALB35M8	M8		2.5	35.1	17.3	62.2						
YALB35M10	M10		2.5	35.1	17.3	65.5						
YALB35M12	M12		3	35.1	21.1	71.9						
YALB50M6	50		M6	2.5	35.1	17.3	60.7	MY29-11 (2) MRC840 (4) Y/PAT644 (1) Y/PAT81KFT (1)	W25VT (4) W25RT (4) X25RT (4)	W25VT (4) W25RT (4) X25RT (4)	U25RT (2)	12
YALB50M8		M8	2.5	35.1	17.3	62.2						
YALB50M10		M10	2.5	35.1	17.3	65.5						
YALB50M12		M12	3	35.1	21.1	71.9						
YALB50M14		M14	3	35.1	21.1	72.9						
YALB50M16		M16	3	35.1	21.1	78.2						
YALB70M6	70	M6	3	38.1	21.1	65.5	MY29-11 (2) MRC840 (4) Y/PAT644 (1) Y/PAT81KFT (2)	W26VT (4) W26RT (4) X26RT (4)	W26VT (4) W26RT (4) X26RT (4)	U26RT (2)	13	40
YALB70M8		M8	3	38.1	21.1	67.3						
YALB70M10		M10	3	38.1	21.1	70.4						
YALB70M12		M12	3	38.1	21.1	76.7						
YALB70M14		M14	3	38.1	21.1	77.7						
YALB70M16		M16	3	38.1	21.1	86.4						
YALB95M8	95	M8	3.3	38.1	23.6	68.6	MY29-11 (2) MRC840 (4) Y/PAT644 (1) Y/PAT81KFT (2)	W27VT (4) W27RT (4) X27RT (4)	W27VT (4) W27RT (4) X27RT (4)	U27RT (2)	14	40
YALB95M10		M10	3.3	38.1	23.6	71.6						
YALB95M12		M12	3.3	38.1	23.6	78						
YALB95M14		M14	3.3	38.1	23.6	79						
YALB95M16		M16	3.3	38.1	23.6	84.3						
YALB95M20		M20	4.1	38.1	30.5	95.5						

* Use equivalent AWG setting on tool for installation

** PUADP-1 Adaptor is required to use "U" Dies in Y46 and PAT46 series tools

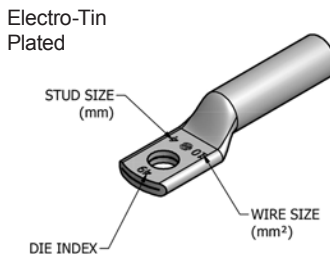
† P-RT Die sets for use in Y46 only, PUADP-1 Adaptor not required

ONE HOLE HYLUG™
CODE CONDUCTOR LONG BARREL

TYPE YALB-M

Rated for 90° C, Up to 35 kV ♦

(Continued)



NOTE: Field bending straight lugs to achieve an angular connection will void UL Listing / CSA Certifications and BURNDY will not be liable for the connection.

C-117

Catalog Number	Wire Range (MM²)	Stud Size	Dimensions (mm)				Dieless	Installation Tooling				Wire Strip Length
			Tongue Thickness	(B)	(C)	(L)		Mechanical		Hydraulic Y35, Y39, Y/PAT750, Y/PAT46 †	Die Index	
								MD6, OUR840, MD7-34R	BCT500, Y500CT			
YALB120M8	120	M8	3.6	41.1	29	73.9	MY29-11 (2) MRC840 (4) Y / PAT644 (1) Y / PAT81KFT (2)	W28VT (4) W28RT (4) X28RT (6)	W28VT (4) W28RT (4) X28RT (6)	U28RT (2)	15	43
YALB120M10		M10	3.6	41.1	29	77.2						
YALB120M12		M12	3.6	41.1	29	83.6						
YALB120M14		M14	3.6	41.1	29	84.6						
YALB120M16		M16	3.6	41.1	29	89.9						
YALB120M20		M20	4.3	41.1	30.5	101.1						
YALB150M8	150	M8	4.1	50.8	30.5	84.1	Y / PAT644 (1) Y / PAT81KFT (3)	W30VT (4)	W30VT (4)	U30RT (4)	17	52
YALB150M10		M10	4.1	50.8	30.5	87.4						
YALB150M12		M12	4.1	50.8	30.5	93.7						
YALB150M14		M14	4.1	50.8	30.5	94.7						
YALB150M16		M16	4.1	50.8	30.5	100.1						
YALB150M20		M20	4.1	50.8	30.5	111.3						
YALB185M8	185	M8	4.3	50.8	32.8	85.1	Y / PAT644 (1) Y / PAT81KFT (3)	W31VT (4)	W31VT (4)	U31RT (4)	18	52
YALB185M10		M10	4.3	50.8	32.8	88.4						
YALB185M12		M12	4.3	50.8	32.8	94.7						
YALB185M14		M14	4.3	50.8	32.8	95.3						
YALB185M16		M16	4.3	50.8	32.8	101.1						
YALB185M20		M20	4.3	50.8	32.8	112.3						
YALB240M10	240	M10	5.6	57.2	39.4	98	Y / PAT644 (1) Y / PAT81KFT (4)	W34VT (4)	W34VT (4)	U34RT (4)	20	59
YALB240M12		M12	5.6	57.2	39.4	105.2						
YALB240M14		M14	5.6	57.2	39.4	106.2						
YALB240M16		M16	5.6	57.2	39.4	111.3						
YALB240M20		M20	5.6	57.2	39.4	122.4						
YALB300M10		300	M10	6.6	68.3	44.2						
YALB300M12	M12		6.6	68.3	44.2	118.1						
YALB300M14	M14		6.6	68.3	44.2	119.1						
YALB300M16	M16		6.6	68.3	44.2	124.5						
YALB300M20	M20		6.6	68.3	44.2	135.4						
YALB400M12	400		M12	7.6	74.7	50.3	127	—	—	U39RT (4)	24	76
YALB400M14		M14	7.6	74.7	50.3	128						
YALB400M16		M16	7.6	74.7	50.3	133.4						
YALB400M20		M20	7.6	74.7	50.3	144.3						
YALB500M12	500	M12	8.1	76.2	55.6	132.1	—	—	U44XRT (4) P44XRT (4)	L115	78	
YALB500M16		M16	8.1	76.2	55.6	138.4						
YALB500M20		M20	8.1	76.2	55.6	149.4						
YALB630M12	630	M12	9.7	81	62.5	139.4	—	—	P45RT (6)	29	83	
YALB630M16		M16	9.7	81	62.5	145.8						
YALB630M20		M20	9.7	81	62.5	157						

* Use equivalent AWG setting on tool for installation

** PUADP-1 Adaptor is required to use "U" Dies in Y46 and PAT46 series tools

† P-RT Die sets for use in Y46 only, PUADP-1 Adaptor not required

TWO HOLE HYLUG™ CODE CONDUCTOR STANDARD BARREL

C-118

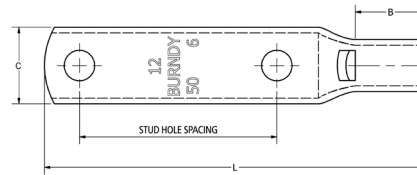
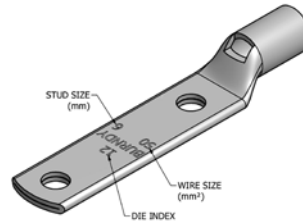
TYPE YAV-2M

Rated for 90° C, Up to 35 kV ♦

Made from electrolytic copper tube and is electro tin plate. Wire range is from 2.5 mm² to 630 mm² Class 2. Compatible to IEC61238-1.

NOTE: Field bending straight lugs to achieve an angular connection will void UL Listing / CSA Certifications and BURNDY will not be liable for the connection.

Electro-Tin
Plated



Features & Benefits

- Inspection window allows for visual verification that the wire has been fully inserted prior to crimping the lug; not recommended in highly corrosive environments as the wire in the barrel is exposed to corrosive elements installed
- Barrel is designed with an internal chamfer at the wire entry to ensure smooth insertion of the wire, preventing possible damaging of the wire strands during insertion
- Short/Standard length barrel is recommended for installations with limited space requirements and meet the exact UL testing requirements as long barrel connectors so performance of the connection is not compromised
- Two hole tongue/tang is recommended when space permits as the 2-hole feature minimizes the terminations from loosening or rotating under vibration, movement, or heat cycling
- Electro-tin plated unless otherwise specified to reduce galvanic corrosion (bimetallic) and resist corrosive elements
- Compatible Standards: IEC61238-1, UL 486A-486B, CSA-C22.2 No. 65-03
- Connectors are clearly marked with stamping

**TWO HOLE HYLUG™
CODE CONDUCTOR
STANDARD BARREL**

TYPE YAV-2M

Rated for 90° C, Up to 35 kV ♦
(Continued)

Electro-Tin
Plated



NOTE: Field bending straight lugs to achieve an angular connection will void UL Listing / CSA Certifications and BURNDY will not be liable for the connection.

C-119

Catalog Number	Wire Range (MM²)	Stud Size	Stud Hole Spacing	Dimensions (mm)				Installation Tooling				Wire Strip Length (mm)	
				Tongue Width	(B)	(C)	(L)	Dieless	Mech.	Hydraulic			Die Index
									MD6, OUR840, MD7-34R	PAT600, Y500CT	Y35, Y39, Y/PAT750, Y/PAT46 †		
YAV0252M3	2.5	M3	25.4	1	170.2	200.7	44.7	Y10D (1) Y10-22 (1) MR8G98 (1) MR8-9Q (1) Y8MRB-1 (1) MR20 (1)	—	—	—	—	7
YAV0252M4		M4	25.4	1	170.2	200.7	44.7						
YAV0252M5		M5	25.4	1	170.2	200.7	44.7						
YAV0252M6		M6	25.4	0.8	170.2	271.8	49.8						
YAV0252M8		M8	25.4	0.8	170.2	279.4	49.8						
YAV062M4	6	M4	25.4	1.5	264.2	241.3	49.5	Y10D (1) Y10-22 (1) MR8G98 (1) MR8-9Q (1) Y8MRB-1 (1) MR20 (1)	—	—	—	—	11
YAV062M5		M5	25.4	1.5	264.2	241.3	49.5						
YAV062M6		M6	25.4	1.3	264.2	302.3	52.6						
YAV062M8		M8	25.4	1	264.2	342.9	53.3						
YAV062M10		M10	25.4	1	302.3	360.7	54.6						
YAV102M4	10	M4	44.5	0	284.5	264.2	73.4	Y1MRTC (1) MY29-11 (1) MRC840 (1) Y/PAT81KFT (1)	W8CVT (1) W8CRT (1) X8CRT (1)	W8CVT (1) W8CRT (1) X8CRT (1)	U8CRT (1)	49	11
YAV102M5		M5	44.5	0	284.5	264.2	74.9						
YAV102M6		M6	44.5	0	284.5	297.2	78.2						
YAV102M8		M8	44.5	0	284.5	335.3	79.8						
YAV102M10		M10	44.5	0	284.5	348	83.1						
YAV102M12		M12	44.5	0	284.5	469.9	89.4						
YAV162M4	16	M4	44.5	2	322.6	309.9	76.2	Y1MRTC (1) MY29-11 (1) MRC840 (1) Y/PAT644 (1) Y/PAT81KFT (1)	W5CVT (1) W5CRT (1) X5CRT (1)	W5CVT (1) W5CRT (1) X5CRT (1)	U5CRT (1)	7	13
YAV162M5		M5	44.5	2	322.6	309.9	77.7						
YAV162M6		M6	44.5	2	322.6	309.9	80.8						
YAV162M8		M8	44.5	1.5	322.6	386.1	82.6						
YAV162M10		M10	44.5	1.5	322.6	373.4	85.6						
YAV162M12		M12	44.5	1.3	322.6	477.5	91.9						
YAV252M5	25	M5	44.5	2	322.6	355.6	78.2	Y1MRTC (2) MY29-11 (1) MRC840 (1) Y/PAT644 (1) Y/PAY81KFT (1)	W3CRT (1)	W3CRT (1)	U3CRT (1)	9	13
YAV252M6		M6	44.5	2	322.6	322.6	81.3						
YAV252M8		M8	44.5	2	322.6	406.4	83.1						
YAV252M10		M10	44.5	2	322.6	373.4	86.1						
YAV252M12		M12	44.5	1.5	322.6	469.9	92.5						
YAV352M5	35	M5	44.5	2.5	406.4	439.4	85.9	Y1MRTC (2) MY29-11 (1) MRC840 (1) Y/PAT644 (1) Y/PAT81KFT (1)	W2CVT (1) W2CRT (1) X2CRT (1)	W2CVT (1) W2CRT (1) X2CRT (1)	U2CRT (1)	10	17
YAV352M6		M6	44.5	2.5	406.4	439.4	87.6						
YAV352M8		M8	44.5	2.5	406.4	439.4	90.7						
YAV352M10		M10	44.5	2.5	406.4	439.4	90.7						
YAV352M12		M12	44.5	2.5	406.4	439.4	97						
YAV502M6	50	M6	44.5	2.5	406.4	439.4	85.9	MY29-11 (1) MRC840 (2) Y/PAT644 (1) Y/PAT81KFT (1)	W25VT (2) W25RT (2) X25RT (2)	W25VT (2) W25RT (2) X25RT (2)	U25RT (1)	12	17
YAV502M8		M8	44.5	2.5	406.4	439.4	87.6						
YAV502M10		M10	44.5	2.5	406.4	439.4	90.7						
YAV502M12		M12	44.5	2.5	406.4	469.9	97						
YAV502M14		M14	44.5	3	406.4	535.9	98						
YAV502M16		M16	44.5	3	406.4	657.9	103.4						
YAV702M6	70	M6	44.5	3	444.5	535.9	89.2	MY29-11 (1) MRC840 (2) Y/PAT644 (1) Y/PAT81KFT (1)	W26VT (2) W26RT (2) X26RT (2)	W26VT (2) W26RT (2) X26RT (2)	U26RT (1)	13	19
YAV702M8		M8	44.5	3	444.5	535.9	90.7						
YAV702M10		M10	44.5	3	444.5	535.9	94						
YAV702M12		M12	44.5	3	444.5	535.9	100.3						
YAV702M14		M14	44.5	2.8	444.5	569	101.3						
YAV702M16		M16	44.5	2.8	444.5	569	106.7						

* Use equivalent AWG setting on tool for installation.

** PUADP-1 Adaptor is required to use "U" Dies in Y46 and PAT46 series tools.

† P-RT Die sets for use in Y46 only, PUADP-1 Adaptor not required.

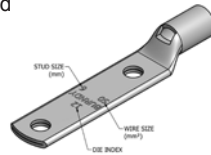
Compression Connections

BURNDY®

Metric Lugs - Copper Compression - Code - Long Barrel

TWO HOLE HYLUG™ CODE CONDUCTOR STANDARD BARREL

Electro-Tin
Plated



C-120

TYPE YAV-2M

Rated for 90° C, Up to 35 kV ◆

(Continued)

NOTE: Field bending straight lugs to achieve an angular connection will void UL Listing / CSA Certifications and BURNDY will not be liable for the connection.

Catalog Number	Wire Range (MM²)	Stud Size	Stud Hole Spacing	Dimensions (mm)				Dieless	Installation Tooling			Die Index	Wire Strip Length (mm)
				Tongue Width	(B)	(C)	(L)		Mech.	Hydraulic			
										MD6, OUR840, MD7-34R	PAT600, Y500CT		
YAV952M8	95	M8	44.5	3.3	523.2	599.4	95	MY29-11 (1) MRC840 (2) Y / PAT644 (1) Y / PAT81KFT (2)	W27VT (2) W27RT (2) X27RT (3)	W27VT (2) W27RT (2) X27RT (3)	U27RT (1)	14	22
YAV952M10		M10	44.5	3.3	523.2	599.4	98.3						
YAV952M12		M12	44.5	3.3	523.2	599.4	104.6						
YAV952M14		M14	44.5	3.3	523.2	599.4	105.7						
YAV952M16		M16	44.5	3.3	523.2	599.4	111						
YAV952M20		M20	44.5	4.1	523.2	774.7	122.2						
YAV1202M8	120	M8	44.5	3.6	665.5	736.6	102.9	MY29-11 (1) MRC840 (2) Y / PAT644 (1) Y / PAT81KFT (2)	W28VT (3) W28RT (3) X28RT (3)	W28VT (2) W28RT (2) X28RT (3)	U28RT (1)	15	27
YAV1202M10		M10	44.5	3.6	665.5	736.6	106.2						
YAV1202M12		M12	44.5	3.8	665.5	736.6	112.5						
YAV1202M14		M14	44.5	3.6	665.5	736.6	113.5						
YAV1202M16		M16	44.5	3.6	665.5	736.6	118.9						
YAV1202M20		M20	44.5	4.3	665.5	736.6	130						
YAV1502M8	150	M8	44.5	4.1	665.5	774.7	103.4	Y / PAT644 (1) Y / PAT81KFT (2)	W30VT (2)	W30VT (2) W30RT (2)	U30RT (2)	17	27
YAV1502M10		M10	44.5	4.1	665.5	774.7	106.7						
YAV1502M12		M12	44.5	4.1	665.5	774.7	113						
YAV1502M14		M14	44.5	4.1	665.5	774.7	114						
YAV1502M16		M16	44.5	4.1	665.5	774.7	119.4						
YAV1502M20		M20	44.5	4.1	665.5	774.7	130.3						
YAV1852M8	185	M8	44.5	4.3	683.3	833.1	104.9	Y / PAT644 (1) Y / PAT81KFT (2)	W31VT (2)	W31VT (2) W31RT (2)	U31RT (2)	18	29
YAV1852M10		M10	44.5	4.3	683.3	833.1	108.2						
YAV1852M12		M12	44.5	4.3	683.3	833.1	114.6						
YAV1852M14		M14	44.5	4.3	683.3	833.1	115.6						
YAV1852M16		M16	44.5	4.3	683.3	833.1	120.9						
YAV1852M20		M20	44.5	4.3	683.3	833.1	132.1						
YAV2402M10	240	M10	44.5	5.6	820.4	1000.8	117.6	Y / PAT644 (1) Y / PAT81KFT (2)	W34VT (2)	W34VT (2) W34RT (2)	U34RT (2)	20	33
YAV2402M12		M12	44.5	5.6	820.4	1000.8	125						
YAV2402M14		M14	44.5	5.6	820.4	1000.8	125						
YAV2402M16		M16	44.5	5.6	820.4	1000.8	130.3						
YAV2402M20		M20	44.5	5.6	820.4	1000.8	141.2						
YAV3002M10		300	M10	44.5	6.6	175.3	1122.7						
YAV3002M12	M12		44.5	6.6	167.6	1122.7	128.3						
YAV3002M14	M14		44.5	6.6	175.3	1122.7	129						
YAV3002M16	M16		44.5	6.6	175.3	1122.7	134.6						
YAV3002M20	M20		44.5	6.6	175.3	1122.7	145.5						
YAV4002M14	400		M14	44.5	7.6	193	1277.6	132.8	Y / PAT644 (1) Y / PAT81KFT (2)	—	—	U39RT (3)	24
YAV4002M16		M16	44.5	7.6	193	1277.6	138.2						
YAV4002M20		M20	44.5	7.6	193	1277.6	149.4						
YAV5002M16	500	M16	44.5	8.1	205.7	1412.2	147.3	Y / PAT644 (1) Y / PAT81KFT (2)	—	—	U44XRT (3) † P44XRT (3)	L115	43
YAV5002M20		M20	44.5	8.1	205.7	1412.2	158.5						
YAV6302M16	630	M16	44.5	9.7	246.4	1587.5	158.8	Y / PAT644 (1) Y / PAT81KFT (2)	—	—	† P45RT (3)	29	55
YAV6302M20		M20	44.5	9.7	246.4	1587.5	169.9						

* Use equivalent AWG setting on tool for installation.

** PUADP-1 Adaptor is required to use "U" Dies in Y46 and PAT46 series tools.

† P-RT Die sets for use in Y46 only, PUADP-1 Adaptor not required.

**TWO HOLE HYLUG™
CODE CONDUCTOR
LONG BARREL**

TYPE YALB-2M

Rated for 90° C, Up to 35 kV ♦

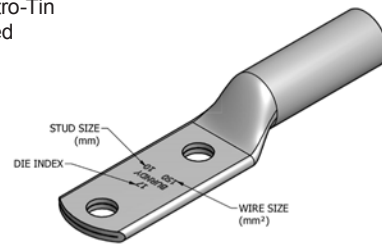
Made from electrolytic copper tube and is electro tin plate. Wire range is from 10 mm² to 630 mm² Class 2. Compatible to IEC61238-1.

NOTE: Field bending straight lugs to achieve an angular connection will void UL Listing / CSA Certifications and BURNDY will not be liable for the connection.

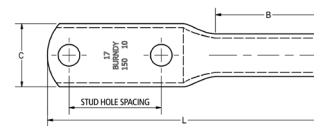
Features & Benefits

- No inspection window is ideal for more corrosive environments as the barrel transition is not open
- Barrel is designed with an internal chamfer at the wire entry to ensure smooth insertion of the wire, preventing possible damaging of the wire strands during insertion
- Long barrel allows for an increased number of crimps which will increase the mechanical strength of the connection
- Two hole tongue/tang is recommended when space permits as the 2-hole feature minimizes the terminations from loosening or rotating under vibration, movement, or heat cycling
- Electro-tin plated unless otherwise specified to reduce galvanic corrosion (bimetallic) and resist corrosive elements
- Compatible Standards: IEC61238-1, UL 486A-486B, CSA-C22.2 No. 65-03
- Connectors are clearly marked with stamping

Electro-Tin
Plated



C-121



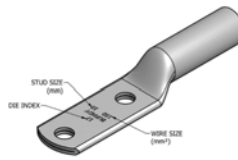
Compression Connections

BURNDY®

Metric Lugs — Copper Compression — Code — Long Barrel

TWO HOLE HYLUG™ CODE CONDUCTOR LONG BARREL

Electro-Tin
Plated



C-122

TYPE YALB-2M

Rated for 90° C, Up to 35 kV ♦

(Continued)

NOTE: Field bending straight lugs to achieve an angular connection will void UL Listing / CSA Certifications and BURNDY will not be liable for the connection.

Catalog Number	Wire Range (MM²)	Stud Size	Stud Hole Spacing	Dimensions (mm)				Installation Tooling					
				Tongue Thickness	(B)	(C)	(L)	Dieless*	Mechanical		Hydraulic	Die Index	Wire Strip Length (mm)
									MD6, OUR840, MD7-34R	PAT600, Y500CTHS			
YALB102M4	10	M4	44.5	2.3	20.6	9.9	82.6	Y1MRTC (2) MY29-11 (1) MRC840 (2) Y / PAT81KFT (1)	W8CVT (2) W8CRT (2) X8CRT (2)	W8CVT (2) W8CRT (2) X8CRT (2)	U8CRT (2)	49	22
YALB102M5		M5	44.5	2.0	20.6	10.4	84.3						
YALB102M6		M6	44.5	2.0	20.6	11.2	87.4						
YALB102M8		M8	44.5	1.5	20.6	13.2	88.9						
YALB102M10		M10	44.5	1.5	20.6	14.7	92.2						
YALB102M12		M12	44.5	3.0	20.6	21.1	103.4						
YALB162M4	16	M4	44.5	2.3	28.4	11.4	91.7	Y1MRTC (2) MY29-11 (2) MRC840 (2) Y / PAT644 (1) Y / PAT81KFT (1)	W5CVT (2) W5CRT (2) X5CRT (2)	W5CVT (2) W5CRT (2) X5CRT (2)	U5CRT (2)	7	30
YALB162M5		M5	44.5	2.3	28.4	11.4	93.2						
YALB162M6		M6	44.5	2.0	28.4	12.2	96.5						
YALB162M8		M8	44.5	1.8	28.4	13.2	98.0						
YALB162M10		M10	44.5	1.5	28.4	14.7	103.6						
YALB162M12		M12	44.5	3.0	28.4	19.1	107.7						
YALB252M5	25	M5	44.5	2.3	31.8	14.0	98.0	W3CRT (2)	W3CRT (2)	U3CRT (2)	9	33	
YALB252M6		M6	44.5	2.3	31.8	14.0	101.1						
YALB252M8		M8	44.5	2.3	31.8	14.0	102.9						
YALB252M10		M10	44.5	2.0	31.8	14.7	105.9						
YALB252M12		M12	44.5	3.0	31.8	21.1	112.5						
YALB352M5	35	M5	44.5	2.5	35.1	17.3	102.1	Y1MRTC (4) MY29-11 (2) MRC840 (2) Y / PAT644 (1) Y / PAT81KFT (1)	W2CVT (2) W2CRT (2) X2CRT (2)	W2CVT (2) W2CRT (2) X2CRT (2)	U2CRT (2)	10	37
YALB352M6		M6	44.5	2.5	35.1	17.3	105.2						
YALB352M8		M8	44.5	2.5	35.1	17.3	106.8						
YALB352M10		M10	44.5	2.5	35.1	17.3	110.0						
YALB352M12		M12	44.5	3.0	35.1	21.1	116.4						
YALB502M6	50	M6	44.5	2.5	35.1	17.3	105.2	MY29-11 (2) MRC840 (4) Y / PAT644 (1) Y / PAT81KFT (2)	W25VT (4) W25RT (4) X25RT (4)	W25VT (4) W25RT (4) X25RT (4)	U25RT (2)	12	37
YALB502M8		M8	44.5	2.5	35.1	17.3	106.7						
YALB502M10		M10	44.5	2.5	35.1	17.3	110.0						
YALB502M12		M12	44.5	3.0	35.1	21.1	116.3						
YALB502M14		M14	44.5	3.0	35.1	21.1	117.3						
YALB502M16		M16	44.5	3.0	35.1	21.1	122.7						

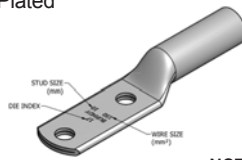
* Use equivalent AWG setting on tool for installation

** PUADP-1 Adaptor is required to use "U" Dies in Y46 and PAT46 series tools

† P-RT Die sets for use in Y46 only, PUADP-1 Adaptor not required

**TWO HOLE HYLUG™
CODE CONDUCTOR LONG
BARREL**

Electro-Tin
Plated



TYPE YALB-2M

Rated for 90° C, Up to 35 kV ♦

(Continued)

NOTE: Field bending straight lugs to achieve an angular connection will void UL Listing / CSA Certifications and BURNDY will not be liable for the connection.

C-123

Catalog Number	Wire Range (MM ²)	Stud Size	Stud Hole Spacing	Dimensions (mm)			Installation Tooling				Wire Strip Length (mm)		
				Tongue Thickness	(B)	(C)	(L)	Dieless*	Mechanical			Hydraulic	Die Index
									MD6, OUR840, MD7-34R	PAT600, Y500CTHS	Y35, Y39, Y750, PAT750, Y46**, PAT46**		
YALB702M6	70	M6	44.5	3.0	38.1	21.1	110.0	MY29-11 (2) MRC840 (4) Y / PAT644 (1) Y / PAT81KFT (2)	W26VT (4) W26RT (4) X26RT (4)	W26VT (4) W26RT (4) X26RT (4)	U26RT (2)	13	40
YALB702M8		M8	44.5	3.0	38.1	21.1	111.8						
YALB702M10		M10	44.5	3.0	38.1	21.1	114.8						
YALB702M12		M12	44.5	3.0	38.1	21.1	121.4						
YALB702M14		M14	44.5	3.0	38.1	21.1	122.2						
YALB702M16		M16	44.5	3.0	38.1	21.1	130.8						
YALB952M8	95	M8	44.5	3.3	38.1	23.6	113.0	MY29-11 (2) MRC840 (4) Y / PAT644 (1) Y / PAT81KFT (2)	W27VT (4) W27RT (4) X27RT (6)	W27VT (4) W27RT (4) X27RT (6)	U27RT (2)	14	40
YALB952M10		M10	44.5	3.3	38.1	23.6	116.1						
YALB952M12		M12	44.5	3.3	38.1	23.6	122.4						
YALB952M14		M14	44.5	3.3	38.1	23.6	123.4						
YALB952M16		M16	44.5	3.3	38.1	23.6	128.8						
YALB952M20		M20	44.5	4.1	38.1	30.5	140.0						
YALB1202M8	120	M8	44.5	3.8	41.1	29.0	118.6	MY29-11 (2) MRC840 (4) Y / PAT644 (1) Y / PAT81KFT (2)	W28VT (4) W28RT (4) X28RT (6)	W28VT (4) W28RT (4) X28RT (6)	U28RT (2)	15	43
YALB1202M10		M10	44.5	3.8	41.1	29.0	124.1						
YALB1202M12		M12	44.5	3.8	41.1	29.0	128.0						
YALB1202M14		M14	44.5	3.8	41.1	29.0	129.0						
YALB1202M16		M16	44.5	3.8	41.1	29.0	134.4						
YALB1202M20		M20	44.5	4.3	41.1	30.5	145.5						
YALB1502M8	150	M8	44.5	4.1	50.8	30.5	128.8	MY29-11 (2) MRC840 (4) Y / PAT644 (1) Y / PAT81KFT (2)	W30VT (4)	W30VT (4) W30RT (4)	U30RT (4)	17	52
YALB1502M10		M10	44.5	4.1	50.8	30.5	131.8						
YALB1502M12		M12	44.5	4.1	50.8	30.5	138.2						
YALB1502M14		M14	44.5	4.1	50.8	30.5	139.2						
YALB1502M16		M16	44.5	4.1	50.8	30.5	145.3						
YALB1502M20		M20	44.5	4.1	50.8	30.5	156.2						
YALB1852M8	185	M8	44.5	4.3	50.8	32.8	129.8	MY29-11 (2) MRC840 (4) Y / PAT644 (1) Y / PAT81KFT (2)	W31VT (4)	W31VT (4) W31RT (4)	U31RT (4)	18	52
YALB1852M10		M10	44.5	4.3	50.8	32.8	132.8						
YALB1852M12		M12	44.5	4.3	50.8	32.8	139.2						
YALB1852M14		M14	44.5	4.3	50.8	32.8	139.7						
YALB1852M16		M16	44.5	4.3	50.8	32.8	145.5						
YALB1852M20		M20	44.5	4.3	50.8	32.8	156.7						

* Use equivalent AWG setting on tool for installation

** PUADP-1 Adaptor is required to use "U" Dies in Y46 and PAT46 series tools

† P-RT Die sets for use in Y46 only, PUADP-1 Adaptor not required

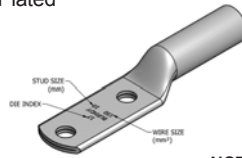
Compression Connections

BURNDY®

Metric Lugs — Copper Compression — Code — Long Barrel

TWO HOLE HYLUG™ CODE CONDUCTOR LONG BARREL

Electro-Tin
Plated



C-124

TYPE YALB-2M

Rated for 90° C, Up to 35 kV ♦

(Continued)

NOTE: Field bending straight lugs to achieve an angular connection will void UL Listing / CSA Certifications and BURNDY will not be liable for the connection.

Catalog Number	Wire Range (MM²)	Stud Size	Stud Hole Spacing	Dimensions (mm)			Installation Tooling				Wire Strip Length (mm)	
				Tongue Thickness	(B)	(C)	(L)	Dieless*	Mechanical			Hydraulic
									MD6, OUR840, MD7-34R	PAT600, Y500CTHS	Y35, Y39, Y750, PAT750, Y46**, PAT46**	
YALB2402M10	240	M10	44.5	5.6	57.2	39.4	142.5	W34VT (4)	W34VT (4) W34RT (4)	U34RT (4)	20	59
YALB2402M12		M12	44.5	5.6	57.2	39.4	149.6					
YALB2402M14		M14	44.5	5.6	57.2	39.4	150.6					
YALB2402M16		M16	44.5	5.6	57.2	39.4	156.0					
YALB2402M20		M20	44.5	5.6	57.2	39.4	166.9					
YALB3002M10	300	M10	44.5	6.6	68.3	44.2	156.2	Y / PAT644 (1) Y / PAT81KFT (4)		U36RT (4)	22	70
YALB3002M12		M12	44.5	6.6	68.3	44.2	162.6					
YALB3002M14		M14	44.5	6.6	68.3	44.2	163.6					
YALB3002M16		M16	44.5	6.6	68.3	44.2	168.9					
YALB3002M20		M20	44.5	6.6	68.3	44.2	179.6					
YALB4002M12	400	M12	44.5	7.6	74.7	50.3	171.4	—	—	U39RT (4)	24	76
YALB4002M14		M14	44.5	7.6	74.7	50.3	172.5					
YALB4002M16		M16	44.5	7.6	74.7	50.3	177.8					
YALB4002M20		M20	44.5	7.6	74.7	50.3	189.0					
YALB5002M12	500	M12	44.5	8.1	76.2	55.6	176.5			U44XRT (4) †P44XRT (4)	L115	78
YALB5002M16		M16	44.5	8.1	76.2	55.6	182.9					
YALB5002M20		M20	44.5	8.1	76.2	55.6	194.1					
YALB6302M12	630	M12	44.5	9.7	81.0	62.5	183.9	—		† P45RT (6)	29	83
YALB6302M16		M16	44.5	9.7	81.0	62.5	190.5					
YALB6302M20		M20	44.5	9.7	81.0	62.5	201.4					

* Use equivalent AWG setting on tool for installation

** PUADP-1 Adaptor is required to use "U" Dies in Y46 and PAT46 series tools

† P-RT Die sets for use in Y46 only, PUADP-1 Adaptor not required

**ONE HOLE HYLUG™
FLEX CONDUCTOR STANDARD BARREL**

TYPE YAV-FM

Rated for 90° C, Up to 35 kV ♦

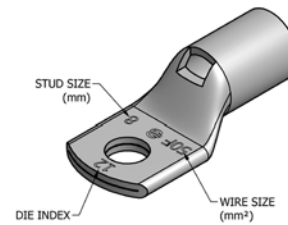
Made from electrolytic copper tube and is electro tin plate. Wire range is from 50 mm² to 630 mm² for class 5. Compatible to IEC61238-1.

NOTE: Field bending straight lugs to achieve an angular connection will void UL Listing / CSA Certifications and BURNDY will not be liable for the connection.

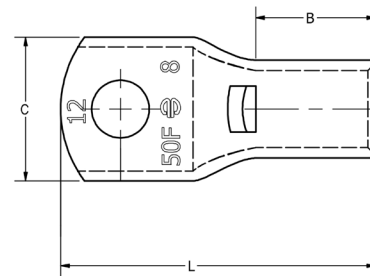
Features & Benefits

- No inspection window is ideal for more corrosive environments as the barrel transition is not open
- Barrel is designed with an internal chamfer at the wire entry to ensure smooth insertion of the wire, preventing possible damaging of the wire strands during insertion
- Short/Standard length barrel is recommended for installations with limited space requirements
- Electro-tin plated unless otherwise specified to reduce galvanic corrosion (bimetallic) and resist corrosive elements
- Compatible Standards: IEC61238-1, UL 486A-486B, CSA-C22.2 No. 65-03
- Connectors are clearly marked with stamping

Electro-Tin
Plated



C-125



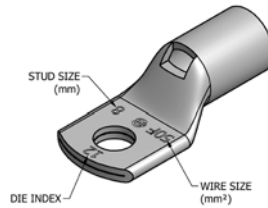
Compression Connections

BURNDY®

Metric Lugs — Copper Compression — Flex — Standard Barrel

ONE HOLE HYLUG™ FLEX CONDUCTOR STANDARD BARREL

Electro-Tin
Plated



C-126

TYPE YAV-FM

Rated for 90° C, Up to 35 kV ◆

(Continued)

NOTE: Field bending straight lugs to achieve an angular connection will void UL Listing / CSA Certifications and BURNDY will not be liable for the connection.

Catalog Number	Wire Range (MM²)	Stud Size	Dimensions (mm)				Installation Tooling					
			Tongue Thickness	(B)	(C)	(L)	Dieless*	Mechanical		Hydraulic	Die Index	Wire Strip Length
								MD6, OUR840, MD7-34R	BCT500HS, Y500Cths			
YAV50FM6	50	M6	3.0	17.5	21.1	46.0	MY29-11 (1) MRC840 (2) Y / PAT644 (1) Y / PAT81KFT (1)	W25VT (2) W25RT (2) X25RT (2)	W25VT (2) W25RT (2) X25RT (2)	U25RT (1)	12	19
YAV50FM8		M8	3.0	17.5	21.1	46.0						
YAV50FM10		M10	3.0	17.5	21.1	49.3						
YAV50FM12		M12	3.0	17.5	21.1	55.6						
YAV50FM14		M14	3.0	17.5	22.4	56.6						
YAV50FM16		M16	3.0	17.5	22.4	61.9						
YAV70FM6	70	M6	3.3	20.6	23.6	49.0	MY29-11 (1) MRC840 (2) Y / PAT644 (1) Y / PAT81KFT (1)	W26VT (2) W26RT (2) X26RT (2)	W26VT (2) W26RT (2) X26RT (2)	U26RT (1)	13	22
YAV70FM8		M8	3.3	20.6	23.6	50.3						
YAV70FM10		M10	3.3	20.6	23.6	54.0						
YAV70FM12		M12	3.3	20.6	23.6	60.0						
YAV70FM14		M14	3.3	20.6	23.6	61.0						
YAV70FM16		M16	3.3	20.6	23.6	66.3						
YAV95FM8	95	M8	3.6	25.4	26.2	56.0	MY29-11 (1) MRC840 (2) Y / PAT644 (1) Y / PAT81KFT (2)	W27VT (2) W27RT (2) X27RT (3)	W27VT (2) W27RT (2) X27RT (3)	U27RT (1)	14	27
YAV95FM10		M10	3.6	25.4	26.2	59.0						
YAV95FM12		M12	3.6	25.4	26.2	66.0						
YAV95FM14		M14	3.6	25.4	26.2	66.8						
YAV95FM16		M16	3.6	25.4	26.2	72.1						
YAV95FM20		M20	3.6	25.4	26.2	83.2						
YAV120FM8	120	M8	3.8	26.2	29.0	58.2	MY29-11 (1) MRC840 (2) Y / PAT644 (1) Y / PAT81KFT (2)	W28VT (2) W28RT (2) X28RT (3)	W28VT (2) W28RT (2) X28RT (3)	U28RT (1)	15	27
YAV120FM10		M10	3.8	26.2	29.0	61.0						
YAV120FM12		M12	3.8	26.2	29.0	68.0						
YAV120FM14		M14	3.8	26.2	29.0	68.8						
YAV120FM16		M16	3.8	26.2	29.0	74.1						
YAV120FM20		M20	3.8	26.2	29.0	85.2						
YAV150FM8	150	M8	4.6	26.9	32.8	60.2	Y / PAT644 (1) Y / PAT81KFT (2)	W30VT (2)	W30VT (2) W30RT (2)	U30RT (2)	17	29
YAV150FM10		M10	4.6	26.9	32.8	64.0						
YAV150FM12		M12	4.6	26.9	32.8	70.0						
YAV150FM14		M14	4.6	26.9	32.8	70.8						
YAV150FM16		M16	4.6	26.9	32.8	76.0						
YAV150FM20		M20	4.6	26.9	32.8	87.3						

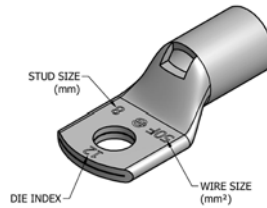
* Use equivalent AWG setting on tool for installation

** PUADP-1 Adaptor is required to use "U" Dies in Y46 and PAT46 series tools

† P-RT Die sets for use in Y46 only, PUADP-1 Adaptor not required

**ONE HOLE HYLUG™
FLEX CONDUCTOR
STANDARD BARREL**

Electro-Tin
Plated



TYPE YAV-FM

Rated for 90° C, Up to 35 kV ♦

(Continued)

C-127

NOTE: Field bending straight lugs to achieve an angular connection will void UL Listing / CSA Certifications and BURNDY will not be liable for the connection.

Catalog Number	Wire Range (MM²)	Stud Size	Dimensions (mm)				Installation Tooling					Wire Strip Length
			Tongue Thickness	(B)	(C)	(L)	Dieless*	Mechanical		Hydraulic	Die Index	
								MD6, OUR840, MD7-34R	BCT500HS, Y500CTHS	Y35, Y39, Y750, PAT750, Y46**, PAT46**		
YAV185FM8	185	M8	5.0	30.2	35.6	64.8	Y / PAT644 (1) Y / PAT81KFT (2)	W31VT (2)	W31VT (2) W31RT (2)	U31RT (2)	18	29
YAV185FM10		M10	5.0	30.2	35.6	68.0						
YAV185FM12		M12	5.0	30.2	35.6	74.0						
YAV185FM14		M14	5.0	30.2	35.6	75.4						
YAV185FM16		M16	5.0	30.2	35.6	81.0						
YAV185FM20		M20	5.0	30.2	35.6	91.8						
YAV240FM10	240	M10	5.8	32.3	39.4	72.9	Y / PAT644 (1) Y / PAT81KFT (2)	W34VT (2)	W34VT (2) W34VT (2)	U34RT (2)	20	33
YAV240FM12		M12	5.8	32.3	39.4	79.0						
YAV240FM14		M14	5.8	32.3	39.4	80.2						
YAV240FM16		M16	5.8	32.3	39.4	85.5						
YAV240FM20		M20	5.8	32.3	39.4	96.6						
YAV300FM10	300	M10	6.9	36.8	46.7	80.2	Y / PAT644 (1) Y / PAT81KFT (2)			U36RT (2)	22	38
YAV300FM12		M12	6.9	36.8	46.7	87.0						
YAV300FM14		M14	6.9	36.8	46.7	87.5						
YAV300FM16		M16	6.9	36.8	46.7	93.0						
YAV300FM20		M20	6.9	36.8	46.7	104.0						
YAV400FM12	400	M12	7.6	36.1	50.3	87.0	Y / PAT644 (1) Y / PAT81KFT (3)			U39RT (3)	24	37
YAV400FM14		M14	7.6	36.1	50.3	88.1						
YAV400FM16		M16	7.6	36.1	50.3	93.5						
YAV400FM20		M20	7.6	36.1	50.3	104.5						
YAV500FM12	500	M12	8.4	41.9	55.6	96.0	Y / PAT644 (1) Y / PAT81KFT (3)			U44XRT (3) †P44XRT (3)	L115	43
YAV500FM16		M16	8.4	41.9	55.6	102.6						
YAV500FM20		M20	8.4	41.9	55.6	113.7						
YAV630FM12	630	M12	9.9	50.8	68.3	110.2	—			† P46RT (3)	31	55
YAV630FM16		M16	9.9	50.8	68.3	116.6						
YAV630FM20		M20	9.9	50.8	68.3	127.8						

* Use equivalent AWG setting on tool for installation

** PUADP-1 Adaptor is required to use "U" Dies in Y46 and PAT46 series tools

† P-RT Die sets for use in Y46 only, PUADP-1 Adaptor not required

ONE HOLE HYLUG™ FLEX CONDUCTOR LONG BARREL

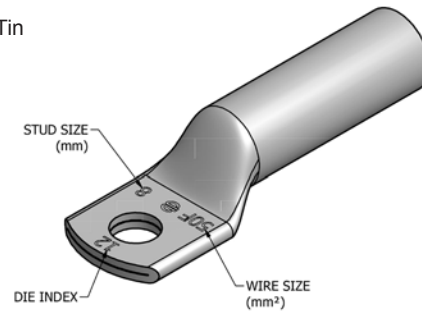
TYPE YALB-FM

C-128

Rated for 90° C, Up to 35 kV ♦

Made from electrolytic copper tube and is electro tin plate. Wire range is from 50 mm² to 630 mm² for class 5. Compatible to **IEC61238-1**.

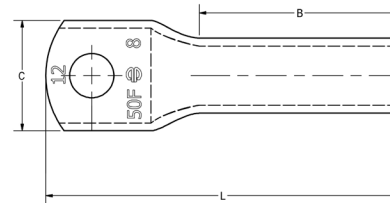
Electro-Tin
Plated



NOTE: Field bending straight lugs to achieve an angular connection will void UL Listing / CSA Certifications and BURNDY will not be liable for the connection.

Features & Benefits

- No inspection window is ideal for more corrosive environments as the barrel transition is not open
- Barrel is designed with an internal chamfer at the wire entry to ensure smooth insertion of the wire, preventing possible damaging of the wire strands during insertion
- Long barrel allows for an increased number of crimps which will increase the mechanical strength of the connection
- Electro-tin plated unless otherwise specified to reduce galvanic corrosion (bimetallic) and resist corrosive elements
- Compatible Standards: IEC61238-1, UL 486A-486B, CSA-C22.2 No. 65-03
- Connectors are clearly marked with stamping



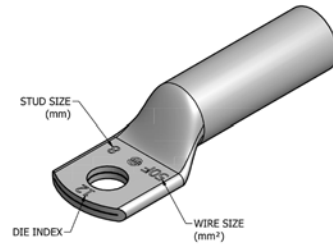
ONE HOLE HYLUG™ FLEX CONDUCTOR
LONG BARREL

Electro-Tin
Plated

TYPE YALB-FM

Rated for 90° C, Up to 35 kV ♦

(Continued)



C-129

NOTE: Field bending straight lugs to achieve an angular connection will void UL Listing / CSA Certifications and BURNDY will not be liable for the connection.

Catalog Number	Wire Range (MM²)	Stud Size	Dimensions (mm)				Installation Tooling					Wire Strip Length
			Tongue Thickness	(B)	(C)	(L)	Dieless*	Mechanical	Mechanical	Hydraulic	Die Index	
								MD6, OUR840, MD7-34R	BCT500HS, Y500CTHS	Y35, Y39, Y750, PAT750, Y46**, PAT46**		
YALB50FM6	50	M6	3.0	38.1	21.1	65.5	MY29-11 (2) MRC840 (4) Y / PAT644 (1) Y / PAT81KFT (2)	W25VT (4) W25RT (4) X25RT (4)	W25VT (4) W25RT (4) X25RT (4)	U25RT (2)	12	40
YALB50FM8		M8	3.0	38.1	21.1	67.3						
YALB50FM10		M10	3.0	38.1	21.1	70.4						
YALB50FM12		M12	3.0	38.1	21.1	76.7						
YALB50FM14		M14	3.0	38.1	21.1	77.7						
YALB50FM16		M16	3.0	38.1	21.1	86.4						
YALB70FM6	70	M6	3.3	38.1	23.6	66.3	MY29-11 (2) MRC840 (4) Y / PAT644 (1) Y / PAT81KFT (2)	W26VT (4) W26RT (4) X26RT (4)	W26VT (4) W26RT (4) X26RT (4)	U26RT (2)	13	40
YALB70FM8		M8	3.3	38.1	23.6	68.5						
YALB70FM10		M10	3.3	38.1	23.6	71.7						
YALB70FM12		M12	3.3	38.1	23.6	78.0						
YALB70FM14		M14	3.3	38.1	23.6	79.0						
YALB70FM16		M16	3.3	38.1	23.6	84.3						
YALB95FM8	95	M8	3.6	38.1	26.2	68.8	MY29-11 (2) MRC840 (4) Y / PAT644 (1) Y / PAT81KFT (2)	W27VT (4) W27RT (4) X27RT (6)	W27VT (4) W27RT (4) X27RT (6)	U27RT (2)	14	43
YALB95FM10		M10	3.6	38.1	26.2	72.1						
YALB95FM12		M12	3.6	38.1	26.2	78.5						
YALB95FM14		M14	3.6	38.1	26.2	79.5						
YALB95FM16		M16	3.6	38.1	26.2	84.8						
YALB95FM20		M20	3.6	38.1	26.2	96.0						
YALB120FM8	120	M8	3.8	41.1	29.0	73.9	MY29-11 (2) MRC840 (4) Y / PAT644 (1) Y / PAT81KFT (2)	W28VT (4) W28RT (4) X28RT (6)	W28VT (4) W28RT (4) X28RT (6)	U28RT (2)	15	43
YALB120FM10		M10	3.8	41.1	29.0	79.5						
YALB120FM12		M12	3.8	41.1	29.0	83.6						
YALB120FM14		M14	3.8	41.1	29.0	84.6						
YALB120FM16		M16	3.8	41.1	29.0	89.9						
YALB120FM20		M20	3.8	41.1	29.0	101.1						
YALB150FM8	150	M8	4.3	50.8	32.8	85.1	Y / PAT644 (1) Y / PAT81KFT (3)	W30VT (4)	W30VT (4) W30RT (4)	U30RT (4)	17	52
YALB150FM10		M10	4.3	50.8	32.8	88.4						
YALB150FM12		M12	4.3	50.8	32.8	94.7						
YALB150FM14		M14	4.3	50.8	32.8	95.3						
YALB150FM16		M16	4.3	50.8	32.8	101.1						
YALB150FM20		M20	4.3	50.8	32.8	112.3						

* Use equivalent AWG setting on tool for installation.

** PUADP-1 Adaptor is required to use "U" Dies in Y46 and PAT46 series tools.

† P-RT Die sets for use in Y46 only, PUADP-1 Adaptor not required.

Compression Connections

BURNDY®

Metric Lugs - Copper Compression - Flex - Long Barrel

ONE HOLE HYLUG™ FLEX CONDUCTOR LONG BARREL

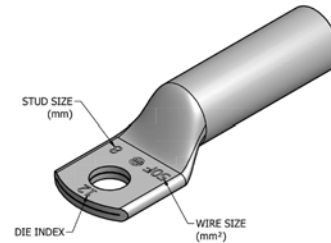
Electro-Tin Plated

TYPE YALB-FM

Rated for 90° C, Up to 35 kV ♦

(Continued)

C-130



NOTE: Field bending straight lugs to achieve an angular connection will void UL Listing / CSA Certifications and BURNDY will not be liable for the connection.

Catalog Number	Wire Range (MM²)	Stud Size	Dimensions (mm)				Dieless*	Installation Tooling				Wire Strip Length
			Tongue Thickness	(B)	(C)	(L)		Mechanical	Mechanical	Hydraulic	Die Index	
								MD6, OUR840, MD7-34R	BCT500HS, Y500CTHS	Y35, Y39, Y750, PAT750, Y46**, PAT46**		
YALB185FM8	185	M8	4.8	53.8	35.6	88.6	Y / PAT644 (1) Y / PAT81KFT (3)	W31VT (4)	W31VT (4) W31RT (4)	U31RT (4)	18	52
YALB185FM10		M10	4.8	53.8	35.6	91.7						
YALB185FM12		M12	4.8	53.8	35.6	98.0						
YALB185FM14		M14	4.8	53.8	35.6	99.1						
YALB185FM16		M16	4.8	53.8	35.6	104.4						
YALB185FM20		M20	4.8	53.8	35.6	115.6						
YALB240FM10	240	M10	5.6	57.2	39.4	98.0	Y / PAT644 (1) Y / PAT81KFT (4)	W34VT (4)	W34VT (4) W34RT (4)	U34RT (4)	20	59
YALB240FM12		M12	5.6	57.2	39.4	105.2						
YALB240FM14		M14	5.6	57.2	39.4	106.2						
YALB240FM16		M16	5.6	57.2	39.4	111.5						
YALB240FM20		M20	5.6	57.2	39.4	122.4						
YALB300FM10	300	M10	6.9	71.4	46.7	114.8	Y / PAT644 (1) Y / PAT81KFT (4)			U36RT (4)	22	73
YALB300FM12		M12	6.9	71.4	46.7	121.2						
YALB300FM14		M14	6.9	71.4	46.7	122.2						
YALB300FM16		M16	6.9	71.4	46.7	127.5						
YALB300FM20		M20	6.9	71.4	46.7	138.7						
YALB400FM12	400	M12	7.6	74.7	50.3	127.0	Y / PAT644 (1) Y / PAT81KFT (4)	—	—	U39RT (4)	24	76
YALB400FM14		M14	7.6	74.7	50.3	128.0						
YALB400FM16		M16	7.6	74.7	50.3	133.4						
YALB400FM20		M20	7.6	74.7	50.3	144.5						
YALB500FM12	500	M12	8.1	76.2	55.6	132.1	Y / PAT644 (1) Y / PAT81KFT (4)			U44XRT (4) †P44XRT (4)	L115	78
YALB500FM16		M16	8.1	76.2	55.6	138.4						
YALB500FM20		M20	8.1	76.2	55.6	149.4						
YALB630FM12	630	M12	9.9	81.0	68.3	140.5	—			† P46RT (6)	31	83
YALB630FM16		M16	9.9	81.0	68.3	146.8						
YALB630FM20		M20	9.9	81.0	68.3	158.0						

* Use equivalent AWG setting on tool for installation.

** PUADP-1 Adaptor is required to use "U" Dies in Y46 and PAT46 series tools.

† P-RT Die sets for use in Y46 only, PUADP-1 Adaptor not required.

**TWO HOLE HYLUG™ FLEX CONDUCTOR
STANDARD BARREL**

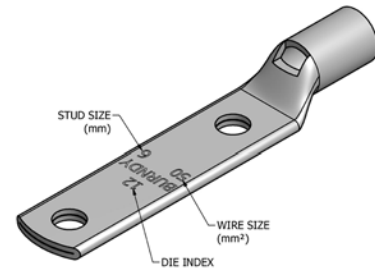
Electro-Tin
Plated

TYPE YAV-F2M

Rated for 90° C, Up to 35 kV ♦

Made from electrolytic copper tube and is electro tin plate. Wire range is from 50 mm² to 630 mm² for class 5. Compatible to IEC61238-1.

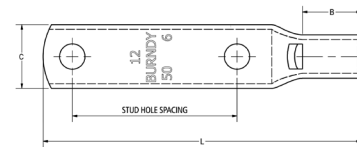
NOTE: Field bending straight lugs to achieve an angular connection will void UL Listing / CSA Certifications and BURNDY will not be liable for the connection.



C-131

Features & Benefits

- Inspection window allows for visual verification that the wire has been fully inserted prior to crimping the lug
- Barrel is designed with an internal chamfer at the wire entry to ensure smooth insertion of the wire, preventing possible damaging of the wire strands during insertion
- Short/Standard length barrel is recommended for installations with limited space requirements
- Two hole tongue/tang is recommended when space permits as the 2-hole feature minimizes the terminations from loosening or rotating under vibration, movement, or heat cycling
- Electro-tin plated unless otherwise specified to reduce galvanic corrosion (bimetallic) and resist corrosive elements
- Compatible Standards: IEC61238-1, UL 486A-486B, CSA-C22.2 No. 65-03
- Connectors are clearly marked with stamping



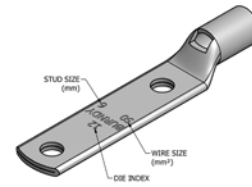
Compression Connections

Metric Lugs - Copper Compression - Flex - Long Barrel

BURNDY®

TWO HOLE HYLUG™ FLEX CONDUCTOR STANDARD BARREL

Electro-Tin
Plated



TYPE YAV-F2M

Rated for 90° C, Up to 35 kV ♦

(Continued)

C-132

NOTE: Field bending straight lugs to achieve an angular connection will void UL Listing / CSA Certifications and BURNDY will not be liable for the connection.

Catalog Number	Wire Range (MM²)	Stud Size	Stud Hole Spacing	Dimensions (mm)				Installation Tooling					
				Tongue Thickness	(B)	(C)	(L)	Dieless*	Mechanical		Hydraulic Y35, Y39, Y750, PAT750, Y46**, PAT46**	Die Index	Wire Strip Length (mm)
									MD6, OUR840, MD7-34R	PAT600, Y500CTHS			
YAV50F2M6	50	M6	44.5	3.0	17.5	21.1	89.2	MY29-11 (1) MRC840 (2) Y / PAT644 (1) Y / PAT81KFT (1)	W25VT (2) W25RT (2) X25RT (2)	W25VT (2) W25RT (2) X25RT (2)	U25RT (1)	12	19
YAV50F2M8		M8	44.5	3.0	17.5	21.1	90.7						
YAV50F2M10		M10	44.5	3.0	17.5	21.1	94.0						
YAV50F2M12		M12	44.5	3.0	17.5	21.1	100.3						
YAV50F2M14		M14	44.5	3.0	17.5	22.4	101.3						
YAV50F2M16		M16	44.5	3.0	17.5	22.4	106.7						
YAV70F2M6	70	M6	44.5	3.3	20.6	23.6	93.2	MY29-11 (1) MRC840 (2) Y / PAT644 (1) Y / PAT81KFT (1)	W26RT (2) W26VT (2) X26RT (2)	W26RT (2) W26VT (2) X26RT (2)	U26RT (1)	13	22
YAV70F2M8		M8	44.5	3.3	20.6	23.6	95.0						
YAV70F2M10		M10	44.5	3.3	20.6	23.6	98.3						
YAV70F2M12		M12	44.5	3.3	20.6	23.6	104.6						
YAV70F2M14		M14	44.5	3.3	20.6	23.6	105.7						
YAV70F2M16		M16	44.5	3.3	20.6	23.6	111.0						
YAV95F2M8	95	M8	44.5	3.6	25.4	26.2	100.8	MY29-11 (1) MRC840 (2) Y / PAT644 (1) Y / PAT81KFT (2)	W27VT (2) W27RT (2) X27RT (3)	W27VT (2) W27RT (2) X27RT (3)	U27RT (1)	14	27
YAV95F2M10		M10	44.5	3.6	25.4	26.2	104.1						
YAV95F2M12		M12	44.5	3.6	25.4	26.2	110.5						
YAV95F2M14		M14	44.5	3.6	25.4	26.2	111.5						
YAV95F2M16		M16	44.5	3.6	25.4	26.2	116.8						
YAV95F2M20		M20	44.5	3.6	25.4	26.2	128.0						
YAV120F2M8	120	M8	44.5	3.8	26.2	29.0	102.9	MY29-11 (1) MRC840 (2) Y / PAT644 (1) Y / PAT81KFT (2)	W28VT (2) W28RT (2) X28RT (3)	W28VT (2) W28RT (2) X28RT (3)	U28RT (1)	15	27
YAV120F2M10		M10	44.5	3.8	26.2	29.0	106.2						
YAV120F2M12		M12	44.5	3.8	26.2	29.0	112.5						
YAV120F2M14		M14	44.5	3.8	26.2	29.0	113.5						
YAV120F2M16		M16	44.5	3.8	26.2	29.0	118.9						
YAV120F2M20		M20	44.5	3.8	26.2	29.0	130.0						
YAV150F2M8	150	M8	44.5	4.6	26.9	32.8	104.9	MY29-11 (1) MRC840 (2) Y / PAT644 (1) Y / PAT81KFT (2)	W30VT (2)	W30VT (2) W30RT (2)	U30RT (2)	17	29
YAV150F2M10		M10	44.5	4.6	26.9	32.8	108.2						
YAV150F2M12		M12	44.5	4.6	26.9	32.8	114.6						
YAV150F2M14		M14	44.5	4.6	26.9	32.8	115.6						
YAV150F2M16		M16	44.5	4.6	26.9	32.8	120.9						
YAV150F2M20		M20	44.5	4.6	26.9	32.8	132.1						
YAV185F2M8	185	M8	44.5	4.8	30.2	35.6	109.5	MY29-11 (1) MRC840 (2) Y / PAT644 (1) Y / PAT81KFT (2)	W31VT (2)	W31VT (2) W31RT (2)	U31RT (2)	18	29
YAV185F2M10		M10	44.5	4.8	30.2	35.6	112.8						
YAV185F2M12		M12	44.5	4.8	30.2	35.6	119.1						
YAV185F2M14		M14	44.5	4.8	30.2	35.6	120.1						
YAV185F2M16		M16	44.5	4.8	30.2	35.6	125.5						
YAV185F2M20		M20	44.5	4.8	30.2	35.6	136.7						

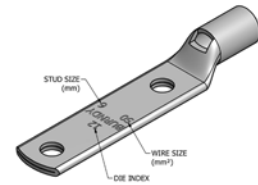
* Use equivalent AWG setting on tool for installation.

** PUADP-1 Adaptor is required to use "U" Dies in Y46 and PAT46 series tools.

† P-RT Die sets for use in Y46 only, PUADP-1 Adaptor not required.

TWO HOLE HYLUG™
FLEX CONDUCTOR STANDARD BARREL

Electro-Tin
Plated



TYPE YAV-F2M

Rated for 90° C, Up to 35 kV ♦

(Continued)

C-133

NOTE: Field bending straight lugs to achieve an angular connection will void UL Listing / CSA Certifications and BURNDY will not be liable for the connection.

Catalog Number	Wire Range (MM²)	Stud Size	Stud Hole Spacing	Dimensions (mm)				Installation Tooling					
				Tongue Thickness	(B)	(C)	(L)	Dieless*	Mechanical		Hydraulic Y35, Y39, Y750, PAT750, Y46**, PAT46**	Die Index	Wire Strip Length (mm)
									MD6, OUR840, MD7-34R	PAT600, Y500CTHS			
YAV240F2M10	240	M10	44.5	5.8	32.3	39.4	117.6	Y / PAT644 (1) Y / PAT81KFT (2)	W34VT (2)	W34VT (2) W34RT (2)	U34RT (2)	20	33
YAV240F2M12		M12	44.5	5.8	32.3	39.4	123.9						
YAV240F2M14		M14	44.5	5.8	32.3	39.4	124.9						
YAV240F2M16		M16	44.5	5.8	32.3	39.4	130.3						
YAV240F2M20		M20	44.5	5.8	32.3	39.4	141.3						
YAV300F2M10	300	M10	44.5	6.9	36.8	46.7	124.9	—	—	U36RT (2)	22	38	
YAV300F2M12		M12	44.5	6.9	36.8	46.7	131.3						
YAV300F2M14		M14	44.5	6.9	36.8	46.7	132.2						
YAV300F2M16		M16	44.5	6.9	36.8	46.7	137.7						
YAV300F2M20		M20	44.5	6.9	36.8	46.7	148.7						
YAV400F2M12	400	M12	44.5	7.6	36.1	50.3	131.8	Y / PAT644 (1) Y / PAT81KFT (3)	—	—	U39RT (3)	24	37
YAV400F2M14		M14	44.5	7.6	36.1	50.3	132.8						
YAV400F2M16		M16	44.5	7.6	36.1	50.3	138.2						
YAV400F2M20		M20	44.5	7.6	36.1	50.3	149.2						
YAV500F2M12	500	M12	44.5	8.4	41.9	55.6	140.9	—	—	U44XRT (3) †P44XRT (3)	L115	43	
YAV500F2M16		M16	44.5	8.4	41.9	55.6	147.3						
YAV500F2M20		M20	44.5	8.4	41.9	55.6	158.4						
YAV630F2M12	630	M12	44.5	9.9	50.8	68.3	154.9	—	—	†P46RT (3)	31	55	
YAV630F2M16		M16	44.5	9.9	50.8	68.3	161.3						
YAV630F2M20		M20	44.5	9.9	50.8	68.3	172.4						

* Use equivalent AWG setting on tool for installation.

** PUADP-1 Adaptor is required to use "U" Dies in Y46 and PAT46 series tools.

† P-RT Die sets for use in Y46 only, PUADP-1 Adaptor not required.

TWO HOLE HYLUG™ FLEX CONDUCTOR LONG BARREL

Electro-Tin
Plated

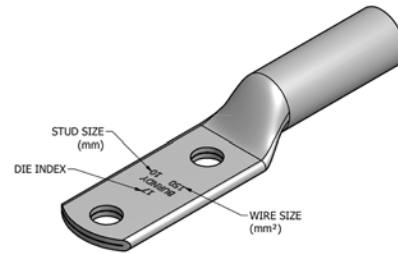
TYPE YALB-F2M

C-134

Rated for 90° C, Up to 35 kV ◆

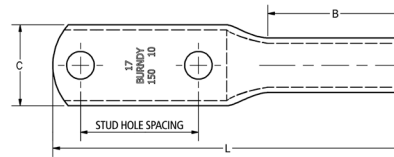
Made from electrolytic copper tube and is electro tin plate. Wire range is from 50 mm² to 630 mm² for class 5. Compatible to **IEC61238-1**.

NOTE: Field bending straight lugs to achieve an angular connection will void UL Listing / CSA Certifications and BURNDY will not be liable for the connection.



Features & Benefits

- No inspection window is ideal for more corrosive environments as the barrel transition is not open
- Barrel is designed with an internal chamfer at the wire entry to ensure smooth insertion of the wire, preventing possible damaging of the wire strands during insertion
- Long barrel allows for an increased number of crimps which will increase the mechanical strength of the connection
- Two hole tongue/tang is recommended when space permits as the 2-hole feature minimizes the terminations from loosening or rotating under vibration, movement, or heat cycling
- Electro-tin plated unless otherwise specified to reduce galvanic corrosion (bimetallic) and resist corrosive elements
- Compatible Standards: IEC61238-1, UL 486A-486B, CSA-C22.2 No. 65-03
- Connectors are clearly marked with stamping



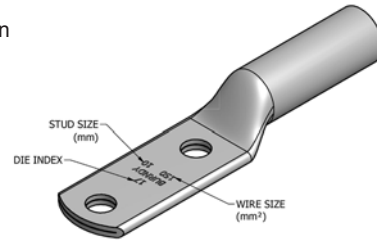
**TWO HOLE HYLUG™ FLEX CONDUCTOR
LONG BARREL**

TYPE YALB-F2M

Rated for 90° C, Up to 35 kV ♦

(Continued)

Electro-Tin
Plated



C-135

NOTE: Field bending straight lugs to achieve an angular connection will void UL Listing / CSA Certifications and BURNDY will not be liable for the connection.

Catalog Number	Wire Range (MM²)	Stud Size	Stud Hole Spacing	Dimensions (mm)				Installation Tooling					Wire Strip Length (mm)
				Tongue Width	(B)	(C)	(L)	Dieless*	Mechanical		Hydraulic Y35, Y39, Y750, PAT750, Y46**, PAT46**	Die Index	
									MD6, OUR840, MD7-34R	PAT600, Y500CTHS			
YALB50F2M6	50	M6	44.5	3.0	38.1	21.1	110.2	MY29-11 (2) MRC840 (4) Y / PAT644 (1) Y / PAT81KFT (2)	W25VT (4) W25RT (4) X25RT (4)	W25VT (4) W25RT (4) X25RT (4)	U25RT (2)	12	40
YALB50F2M8		M8	44.5	3.0	38.1	21.1	112.0						
YALB50F2M10		M10	44.5	3.0	38.1	21.1	115.1						
YALB50F2M12		M12	44.5	3.0	38.1	21.1	121.4						
YALB50F2M14		M14	44.5	3.0	38.1	21.1	122.4						
YALB50F2M16		M16	44.5	3.0	38.1	21.1	131.1						
YALB70F2M6	70	M6	44.5	3.3	38.1	23.6	111.0	MY29-11 (2) MRC840 (4) Y / PAT644 (1) Y / PAT81KFT (2)	W26VT (4) W26RT (4) X26RT (4)	W26VT (4) W26RT (4) X26RT (4)	U26RT (2)	13	43
YALB70F2M8		M8	44.5	3.3	38.1	23.6	113.3						
YALB70F2M10		M10	44.5	3.3	38.1	23.6	116.3						
YALB70F2M12		M12	44.5	3.3	38.1	23.6	122.7						
YALB70F2M14		M14	44.5	3.3	38.1	23.6	123.7						
YALB70F2M16		M16	44.5	3.3	38.1	23.6	129.0						
YALB95F2M8	95	M8	44.5	3.6	38.1	26.2	114.3	MY29-11 (2) MRC840 (4) Y / PAT644 (1) Y / PAT81KFT (2)	W27VT (4) W27RT (4) X27RT (6)	W27VT (4) W27RT (4) X27RT (6)	U27RT (2)	14	43
YALB95F2M10		M10	44.5	3.6	38.1	26.2	117.6						
YALB95F2M12		M12	44.5	3.6	38.1	26.2	124.0						
YALB95F2M14		M14	44.5	3.6	38.1	26.2	125.0						
YALB95F2M16		M16	44.5	3.6	38.1	26.2	130.3						
YALB95F2M20		M20	44.5	3.6	38.1	26.2	141.2						
YALB120F2M8	120	M8	44.5	3.8	41.1	29.0	118.6	MY29-11 (2) MRC840 (4) Y / PAT644 (1) Y / PAT81KFT (2)	W28VT (4) W28RT (4) X28RT (6)	W28VT (4) W28RT (4) X28RT (6)	U28RT (2)	15	43
YALB120F2M10		M10	44.5	3.8	41.1	29.0	124.2						
YALB120F2M12		M12	44.5	3.8	41.1	29.0	128.3						
YALB120F2M14		M14	44.5	3.8	41.1	29.0	129.3						
YALB120F2M16		M16	44.5	3.8	41.1	29.0	134.6						
YALB120F2M20		M20	44.5	4.3	41.1	30.5	145.8						
YALB150F2M8	150	M8	44.5	4.3	50.8	32.8	129.8	Y / PAT644 (1) Y / PAT81KFT (3)	W30VT (4)	W30VT (4) W30RT (4)	U30RT (4)	17	52
YALB150F2M10		M10	44.5	4.3	50.8	32.8	133.1						
YALB150F2M12		M12	44.5	4.3	50.8	32.8	139.4						
YALB150F2M14		M14	44.5	4.3	50.8	32.8	140.0						
YALB150F2M16		M16	44.5	4.3	50.8	32.8	145.8						
YALB150F2M20		M20	44.5	4.3	50.8	32.8	157.0						

* Use equivalent AWG setting on tool for installation.

** PUADP-1 Adaptor is required to use "U" Dies in Y46 and PAT46 series tools.

† P-RT Die sets for use in Y46 only, PUADP-1 Adaptor not required.

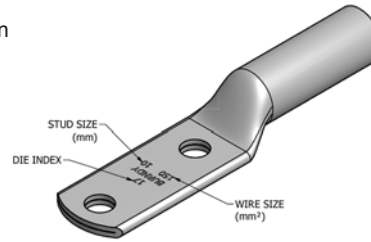
Compression Connections

Metric Lugs — Copper Compression — Flex — Long Barrel

BURNDY®

TWO HOLE HYLUG™ FLEX CONDUCTOR LONG BARREL

Electro-Tin Plated



TYPE YALB-F2M

Rated for 90° C, Up to 35 kV ♦

(Continued)

C-136

NOTE: Field bending straight lugs to achieve an angular connection will void UL Listing / CSA Certifications and BURNDY will not be liable for the connection.

Catalog Number	Wire Range (MM²)	Stud Size	Stud Hole Spacing	Dimensions (mm)				Installation Tooling					
				Tongue Thickness	(B)	(C)	(L)	Dieless*	Mechanical		Hydraulic Y35, Y39, Y750, PAT750, Y46**, PAT46**	Die Index	Wire Strip Length (mm)
									MD6, OUR840, MD7-34R	PAT600, Y500CTHS			
YALB185F2M8	185	M8	44.5	4.8	53.8	35.6	134.1	Y / PAT644 (1) Y / PAT81KFT (3)	W31VT (4)	W31VT (4) W31RT (4)	U31RT (4)	18	52
YALB185F2M10		M10	44.5	4.8	53.8	35.6	137.4						
YALB185F2M12		M12	44.5	4.8	53.8	35.6	143.8						
YALB185F2M14		M14	44.5	4.8	53.8	35.6	144.8						
YALB185F2M16		M16	44.5	4.8	53.8	35.6	150.1						
YALB185F2M20		M20	44.5	4.8	53.8	35.6	161.3						
YALB240F2M10	240	M10	44.5	5.6	57.2	39.4	142.7	Y / PAT644 (1) Y / PAT81KFT (4)	W34VT (4)	W34VT (4) W34RT (4)	U34RT (4)	20	59
YALB240F2M12		M12	44.5	5.6	57.2	39.4	149.9						
YALB240F2M14		M14	44.5	5.6	57.2	39.4	150.9						
YALB240F2M16		M16	44.5	5.6	57.2	39.4	156.2						
YALB240F2M20		M20	44.5	5.6	57.2	39.4	167.1						
YALB300F2M10	300	M10	44.5	6.9	71.4	46.7	160.8	Y / PAT644 (1) Y / PAT81KFT (4)	—	—	U36RT (4)	22	73
YALB300F2M12		M12	44.5	6.9	71.4	46.7	167.1						
YALB300F2M14		M14	44.5	6.9	71.4	46.7	168.1						
YALB300F2M16		M16	44.5	6.9	71.4	46.7	173.5						
YALB300F2M20		M20	44.5	6.9	71.4	46.7	184.7						
YALB400F2M12	400	M12	44.5	7.6	74.7	50.3	171.7	—	—	U39RT (4)	24	76	
YALB400F2M14		M14	44.5	7.6	74.7	50.3	172.7						
YALB400F2M16		M16	44.5	7.6	74.7	50.3	178.1						
YALB400F2M20		M20	44.5	7.6	74.7	50.3	189.2						
YALB500F2M12	500	M12	44.5	8.1	76.2	55.6	176.8	—	—	U44XRT (4) †P44XRT (4)	L115	78	
YALB500F2M16		M16	44.5	8.1	76.2	55.6	183.1						
YALB500F2M20		M20	44.5	8.1	76.2	55.6	194.1						
YALB630F2M12	630	M12	44.5	9.9	81.0	68.3	186.9	—	—	† P46RT (6)	31	83	
YALB630F2M16		M16	44.5	9.9	81.0	68.3	193.3						
YALB630F2M20		M20	44.5	9.9	81.0	68.3	204.5						

* Use equivalent AWG setting on tool for installation.

** PUADP-1 Adaptor is required to use "U" Dies in Y46 and PAT46 series tools.

† P-RT Die sets for use in Y46 only, PUADP-1 Adaptor not required.

TYPES YE-P, YE-P-FX

HYPLUG™ FOR COPPER CONDUCTOR

Type YE-P copper compression adaptors are designed for reliable termination of **copper** conductor when the current capacity of the conductor is downsized, but larger conductor is utilized. Typical applications are for voltage drop protection when oversized conductors are used or flex conductor is used. These adaptors facilitate the termination into existing mechanical set screw connectors for various stranded copper cables.

Wire Connector Adapter
Up to 35 kV ♦, 90° C



♦ For applications greater than 2000 Volts consult cable manufacturer for voltage stress relief instructions.

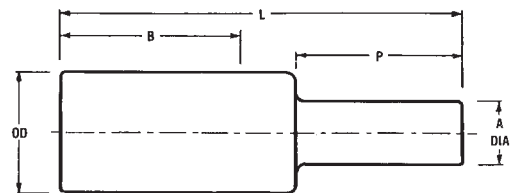


C-137

600 Volts, 90°C EPDM or Santoprene rubber covers supplied with the connector

Features & Benefits

- Connectors are cULus Listed wire adaptors per UL 486A-486B where symbol shown on the page
- The adaptors are used in voltage drop applications
- Designed with a compression barrel that accommodates the wire and a solid pin that is used to insert and terminate in a mechanical set screw connector
- Solid pin design is rated to carry the equivalent ampacity of the incoming wire being terminated; solid pin design is more effective than stranded conductor as there is no risk of damaging strands during termination in the mechanical set screw connector
- Covers are supplied with connectors
 - EPDM rubber covers are UL Listed/CSA Certified and rated up to 600 Volts and 90°C
 - Santoprene rubber covers are also UL Listed/CSA Certified and rated up to 600 Volts and 90°C
- Connectors are clearly marked



Compression Connections

Copper Compression — Adaptors

BURNDY®

TYPES YE-P, YE-P-FX

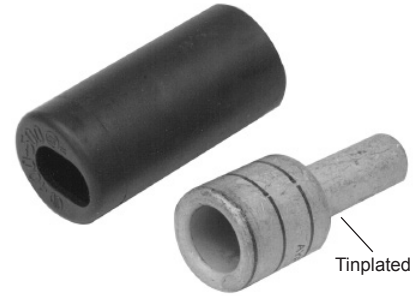
HYPLUG™ FOR COPPER CONDUCTOR

C-138

UL Listed 90° C, Up to 35 kV ♦
(Continued)



WIRE
CONNECTOR
ADAPTER



Tinplated

Note: up to 600 Volts, 90°C EPDM or Santoprene rubber covers supplied with the connector

Catalog Number	Accommodates Copper Wire Sizes			Pin Size Equiv.	Dimensions					Color Code	Die Index	Installation Data								Cable Strip Length
	Flex Cable	Code AWG	Navy		A Dia	B	L	P	OD			Mech Tools (# of Crimps)				Hydraulic Tools (# of Crimps)				
												MY 2911	Y1 / Y2MR	MD734R	MD6 / MD7	Y35 / Y39 / Y750	Y45	Y46	Y60	
YE4V4CP20X75FX	#4 Str. 91/24-105/24	#4	40	#4 AWG	0.20	1.37	2.27	0.75	0.38	Gray	8	(2)	W4CVT (2)	W4CRT (2)	U4CRT (2)		—	(1)	1-1/2	
YE2V2CP26X75FX	#2 Str. 125/24-150/24	#2	60	#2 AWG	0.26	1.65	2.60	0.75	0.46	Brown	10		W2CVT (2)	W2CRT (2)	U2CRT (2)				1-3/4	
YE1V1CP29X75FX	#1 Str. 175/24-225/24	#1	75	#1 AWG	0.29	1.66	2.63	0.75	0.51	Green	11	(1)	W1CVT (2)	W1CRT1 (2)	U1CRT1 (2)		—	(1)	1-3/4	
YE2V2P33X75FX	1/0 Str. 275/24	1/0	100	1/0 AWG	0.33	1.80	2.80	0.75	0.56	Pink	12		W25VT (4)	W25RT (4)	U25RT (2)				1-7/8	
YE2V2P37X75FX	2/0 Str. 325/24	2/0	125	2/0 AWG	0.37	1.82	2.86	0.75	0.63	Black	13	—	W26VT (4)	W26RT (4)	U26RT (2)		—	(1)	1-7/8	
YE2V2P41X82FX	3/0 Str. 450/24	3/0	150	3/0 AWG	0.41	1.97	3.11	0.82	0.70	Orange	14	W27VT (4)	W27RT (4)	U27RT (2)		2-1/16				
YE2V2P46X92FX	4/0 Str. 550/24	4/0	200	4/0 AWG	0.46	1.99	3.28	0.92	0.77	Purple	15	—	W28VT (4)	W28RT (4)	U28RT (2)		—	(1)	2-1/16	

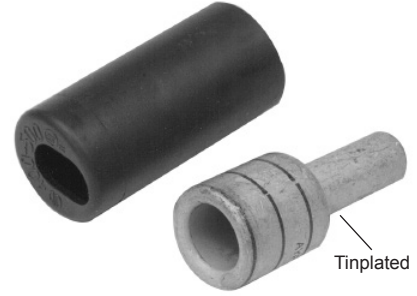
FLEX CABLE ONLY		AWG	Pin Size	Dimensions					Color	Die Index	MY	Y1 / Y2MR	W29VT (4)	W29RT (4)	U29RT (2)	L29RT (1)	Cable Strip Length
Code	Flex Class			A Dia	B	L	P	OD									
YE30P50X100FX	250 kcmil Flex Class G 259 Class H 427	250	250 kcmil	0.50	2.37	3.75	1.00	0.81	Yellow	16	(1)	—	—	—	—	—	2-3/8
YE31P51X102FX	262.6 kcmil Flex (650/24) 250 Flex Class I, K, M	262.6	262.6 kcmil	0.51	2.39	3.82	1.02	0.88	White	17	—	W30VT (4)	W30RT (4)	U30RT (4)	L30RT (1)	2-1/2	
YE32P55X110FX	313.1 kcmil (775/24) (300 kcmil Nom)	300	300 kcmil	0.55	2.53	4.08	1.10	0.95	Red	18	—	W31VT (4)	W31RT (4)	U31RT (4)	L31RT (1)	2-5/8	
YE34P59X118FX	373.7 kcmil (925/24) (350 kcmil Nom)	350	350 kcmil	0.59	2.68	4.36	1.18	1.06	Blue	19	—	W32VT (4)	W32RT (4)	U32RT (4)	L32RT (1)	2-3/4	
YE36P67X134FX	444.4 kcmil (1100/24) (450 kcmil Nom)	450	450 kcmil	0.67	3.14	5.04	1.34	1.19	Brown	20	—	—	—	U34RT (4)	L34RT (2)	3-1/4	
YE38P71X142FX	535.3 kcmil (1325/24) (500 kcmil Nom)	500	500 kcmil	0.71	3.29	5.30	1.42	1.25	Pink	L99	—	—	—	U38XRT (4)	—	3-3/8	
YE40P78X156FX	646 kcmil (1600/24) (600 kcmil Nom)	600	600 kcmil	0.78	3.31	5.51	1.56	1.35	Black	24	—	—	—	U39RT (4)	L39RT (2)	3-7/16	
YE44P87X174FX	777.7 kcmil (1925/24) (750 kcmil Nom)	750	750 kcmil	0.87	3.54	5.99	1.74	1.50	Yellow	L115	—	—	—	U44XRT (4)	—	3-5/8	

CODE CABLE ONLY		AWG	Pin Size	Dimensions					Color	Die Index	MY	Y1 / Y2MR	W29VT (4)	W29RT (4)	U29RT (2)	L29RT (1)	Cable Strip Length	
Code	Flex Class			A Dia	B	L	P	OD										
YE29P50X100	250 kcmil	250	250 kcmil	0.50	1.99	3.33	1.00	0.75	Yellow	16	(1)	—	—	—	—	—	2-1/2	
YE30P55X110	300 kcmil	300	300 kcmil	0.55	2.37	3.85	1.10	0.81	White	17	—	W30VT (4)	W30RT (4)	U30RT (4)	L30RT (1)	2-5/8		
YE31P59X118	350 kcmil	350	350 kcmil	0.59	2.39	3.98	1.18	0.88	Red	18	—	W31VT (4)	W31RT (4)	U31RT (4)	L31RT (1)	2-3/4		
YE32P63X126	400 kcmil	400	400 kcmil	0.63	2.53	4.24	1.26	0.95	Blue	19	—	W32VT (4)	W32RT (4)	U32RT (4)	L32RT (1)	3-1/4		
YE34P71X142	500 kcmil	—	500 kcmil	0.71	2.68	4.60	1.42	1.06	Brown	20	—	W34VT (4)	W34RT (4)	U34RT (4)	L34RT (2)	3-3/8		
YE36P78X156	600 kcmil	—	600 kcmil	0.78	3.14	3.78	1.56	1.19	Green	22	—	—	—	U36RT (4)	L36RT (2)	1-3/4		
YE39P87X174	750 kcmil	—	750 kcmil	0.87	3.37	5.73	1.74	1.30	Black	24	—	—	—	U39RT (4)	S39RT (4)	P39RT (4)	L39RT (2)	3-5/8

TYPES YE-P, YE-P-FX

HYPLUG™ FOR COPPER CONDUCTOR

Up to 35 kV ♦
(Continued)



C-139

Note: up to 600 Volts, 90°C EPDM or Santoprene rubber covers supplied with the connector
Connectors on this page are NOT cULus Listed

Catalog Number	Accommodates Copper Wire Sizes			Pin Size Equiv.	Dimensions					Installation Data										Cable Strip Length		
	Flex Cable	Code AWG	Navy		A Dia	B	L	P	OD	Color Code	Die Index	Mech Tools (# of Crimps)				Hydraulic Tools (# of Crimps)						
												MY 2911	Y1 / Y2MR	MD734R	MD6 / MD7	Y35 / Y39 / Y750	Y45	Y46	Y60		Y / PAT644	
YE2CP23X75FX	#2 Str. (125/24-150/24)	#2	60	3 AWG	0.23	1.65	2.60	0.75	0.46	Brown	10	(1)	(4)	W2CVT (2)	W2CRT (2)	U2CRT (2)						1-3/4
YE1CP26X75FX	#1 Str. (175/24-225/24)	#1	75	2 AWG	0.26	1.66	2.63	0.75	0.51	Green	11		—	W1CVT (2)	W1CRT1 (2)	U1CRT-1 (2)						1-3/4
YE25P29X75FX	1/0 Str. (275/24)	1/0	100	1 AWG	0.29	1.80	2.80	0.75	0.56	Pink	12		—	W25VT (4)	W25RT (4)	U25RT (2)						1-7/8
YE26P33X75FX	2/0 Str. (325/24)	2/0	125	1/0 AWG	0.33	1.82	2.86	0.75	0.63	Black	13		—	W26VT (4)	W26RT (4)	U26RT (2)						1-7/8
YE27P37X75FX	3/0 Str. (450/24)	3/0	150	2/0 AWG	0.37	1.97	3.04	0.75	0.70	Orange	14		—	W27VT (4)	W27RT (4)	U27RT (2)						2-1/16
YE28P41X75FX	4/0 Str. (550/24)	4/0	200	3/0 AWG	0.41	1.99	3.11	0.75	0.77	Purple	15		—	W28VT (4)	W28RT (4)	U28RT (2)						2-1/16

FLEX CABLE ONLY																					
YE30P46X92FX	250 kcmil Flex Class G 259 Class H 427	—	—	4/0 AWG	0.46	2.37	3.67	0.92	0.81	Yellow	16		—	W29VT (4)	W29RT (4)	U29RT (2)	L29RT (1)				2-3/8
YE32P51X102FX	313.1 kcmil (775/24)(300 kcmil Nom)	—	—	250 kcmil	0.51	2.53	4.00	1.02	0.95	Red	18		—	W31VT (8)	W31RT (8)	U31RT (4)	L31RT (1)				2-5/8
YE34P55X110FX	373.7 kcmil (925/24)(350 kcmil Nom)	—	—	300 kcmil	0.55	2.68	4.28	1.10	1.06	Blue	19		—	W32VT (8)	W32RT (8)	U32RT (4)	L32RT (1)				2-3/4
YE36P59X118FX	444.4 kcmil (1100/24)(450 kcmil Nom)	—	—	350 kcmil	0.59	3.14	4.88	1.18	1.19	Brown	20		—	W34VT (8)	W34RT (8)	U34RT (4)	L34RT (2)		(1)		3-1/4
YE38P67X134FX	535.3 kcmil (1325/24)(500 kcmil Nom)	—	—	450 kcmil	0.67	3.29	5.22	1.34	1.25	Pink	L99		—	—	—	U38XRT (4)	—				3-3/8
YE40P71X142FX	646 kcmil (1600/24)(600 kcmil Nom)	—	—	500 kcmil	0.71	3.31	5.37	1.42	1.35	Black	24		—	—	—	U39RT (4)	L39RT (2)				3-7/16
YE44P78X156FX	777.7 kcmil (1925/24)(750 kcmil Nom)	—	—	600 kcmil	0.78	3.54	5.81	1.56	1.50	Yellow	L115		—	—	—	U44XRT (4)	—				3-5/8

CODE CABLE ONLY		AWG																			
YE29P46X92	250 kcmil	—	250	4/0 kcmil	0.46	1.99	3.25	0.92	0.75	Yellow	16	(1)	—	W29VT (4)	W29RT (4)	U29RT (2)	—				2-1/2
YE30P50X100	300 kcmil	—	300	250 kcmil	0.50	2.37	3.75	1.00	0.81	White	17		—	W30VT (8)	W30RT (8)	U30RT (4)	L30RT (1)				2-5/8
YE31P55X110	350 kcmil	—	350	300 kcmil	0.55	2.39	3.90	1.10	0.88	Red	18		—	W31VT (8)	W31RT (8)	U31RT (4)	L31RT (1)				2-3/4
YE32P59X118	400 kcmil	—	400	350 kcmil	0.59	2.53	4.16	1.18	0.95	Blue	19		—	W32VT (8)	W32RT (8)	U32RT (4)	L32RT (1)		(1)		3-1/4
YE34P63X126	500 kcmil	—	—	400 kcmil	0.63	2.68	4.44	1.26	1.06	Brown	20		—	W34VT (8)	W34RT (8)	U34RT (4)	L34RT (2)				3-3/8
YE36P71X142	600 kcmil	—	—	500 kcmil	0.71	3.14	5.11	1.42	1.19	Green	22		—	—	—	U36RT (4)	L36RT (2)				3-7/16
YE39P78X156	750 kcmil	—	—	600 kcmil	0.78	3.37	5.55	1.56	1.30	Black	24		—	—	—	U39RT (4)	S39RT (4)	P39RT (4)	L39RT (2)		3-5/8

1. For sizes above 4/0 the MD6-6R2 must be used.
© See Sales Drawings for Metric Conductor Ratings.

④ To use U Dies in Y46 HYPRESS™, catalog number PUADP-1 die adaptor is required.

Note: All dimensions shown are for reference only.

TYPES YE-P, YE-P-FX

HYPLUG™ FOR COPPER CONDUCTOR

Up to 35 kV ♦

(Continued)

C-140



Tinplated

Note: up to 600 Volts, 90°C EPDM or Santoprene rubber covers supplied with the connector
Connectors on this page are NOT cULus Listed

REDUCED PIN DIAMETER

Catalog Number	Accommodates Copper Wire Sizes			Pin Size Equiv.	Dimensions					Color Code	Die Index	Installation Data								Cable Strip Length
	Flex Cable	Code AWG	Navy		A Dia	B	L	P	OD			Mech Tools (# of Crimps)				Hydraulic Tools (# of Crimps)				
												MY 2911	Y1 / Y2MR	MD734R	MD6 / MD7	Y35 / Y39 / Y750	Y45	4 Y46	Y60	
YEV4CP16X75FX	#4 Str. (91/24-105/24)	#4	40	6 AWG	0.16	1.37	2.27	0.75	0.38	Gray	8	(2)	W4CVT (2)	W4CRT (2)	U4CRT (2)		—	(1)	1-1/2	
YEY2CP20X75FX	#2 Str. (125/24-150/24)	#2	60	4 AWG	0.20	1.65	2.60	0.75	0.46	Brown	10		W2CVT (2)	W2CRT (2)	U2CRT (2)		—		1-3/4	
YEV1CP23X75FX	#1 Str. (175/24-225/24)	#1	75	3 AWG	0.23	1.66	2.63	0.75	0.51	Green	11	(1)	W1CVT (2)	W1CRT1 (2)	U1CRT-1 (2)		—	(1)	1-3/4	
YEV25P26X75FX	1/0 Str. (275/24)	1/0	100	2 AWG	0.26	1.80	2.80	0.75	0.56	Pink	12		W25VT (4)	W25RT (4)	U25RT (2)		—		1-7/8	
YEV26P29X75FX	2/0 Str.(325/24)	2/0	125	1 AWG	0.29	1.82	2.86	0.75	0.63	Black	13	—	W26VT (4)	W26RT (4)	U26RT (2)		—	—	1-7/8	
YEV27P33X75FX	3/0 Str. (450/24)	3/0	150	1/0 AWG	0.33	1.97	3.04	0.75	0.70	Orange	14	—	W27VT (4)	W27RT (4)	U27RT (2)		—	—	2-1/16	
YEV28P37X75FX	4/0 Str. (550/24)	4/0	200	2/0 AWG	0.37	1.99	3.11	0.75	0.77	Purple	15	—	W28VT (4)	W28RT (4)	U28RT (2)		—	—	2-1/16	

FLEX CABLE ONLY

Code	Flex Cable	Code AWG	Navy	Pin Size	A Dia	B	L	P	OD	Color	Die Index	Mech Tools	Hydraulic Tools	Cable Strip Length		
YE31P41X82FX	262.6 kcmil (650/24) 250 Flex Class I, K, M	—	—	3/0 AWG	0.41	2.39	3.62	0.82	0.88	White	17	W30VT (8)	W30RT (8)	U30RT (4)	L30RT (1)	2-1/2
YE34P51X102FX	373.7 kcmil (925/24)(350 kcmil Nom)	—	—	250 kcmil	0.51	2.68	4.20	1.02	1.06	Blue	19	W32VT (8)	W32RT (8)	U32RT (4)	L32RT (1)	2-3/4
YE38P59X118FX	535.3 kcmil (1325/24) (500 kcmil Nom)	—	—	350 kcmil	0.59	3.29	5.06	1.18	1.25	Pink	L99	—	—	U38XRT (4)	—	3-3/8
YE40P67X134FX	646 kcmil (1600/24)(600 kcmil Nom)	—	—	450 kcmil	0.67	3.31	5.29	1.34	1.35	Black	24	—	—	U39RT (4)	L39RT (2)	3-7/16

CODE CABLE ONLY

Code	Code Cable	Code AWG	Navy	Pin Size	A Dia	B	L	P	OD	Color	Die Index	Mech Tools	Hydraulic Tools	Cable Strip Length				
YE29P31X109	250 kcmil	—	—	1 AWG	0.31	1.06	2.49	1.09	0.75	Yellow	16	—	W29RT (4)	U29RT (2)	L29RT (2)	1-1/8		
YE29P41X82	250 kcmil	—	—	3/0 AWG	0.41	1.99	3.15	0.82	0.75	Yellow	16	(1)	W29VT (4)	W29RT (4)	U29RT (2)	—	2-1/2	
YE30P46X92	300 kcmil	—	—	4/0 AWG	0.46	2.37	3.67	0.92	0.81	White	17	—	W30VT (8)	W30RT (8)	U30RT (4)	L30RT (1)	2-5/8	
YE31P50X100	350 kcmil	—	—	250 kcmil	0.50	2.39	3.80	1.00	0.88	Red	18	—	W31VT (8)	W31RT (8)	U31RT (4)	L31RT (1)	2-3/4	
YE32P55X110	400 kcmil	—	—	300 kcmil	0.55	2.53	4.08	1.10	0.95	Blue	19	—	W32VT (8)	W32RT (8)	U32RT (4)	L32RT (1)	3-1/4	
YE34P59X118	500 kcmil	—	—	350 kcmil	0.59	2.68	4.36	1.18	1.06	Brown	20	—	W34VT (8)	W34RT (8)	U34RT (4)	L34RT (2)	3-3/8	
YE36P63X126	600 kcmil	—	—	400 kcmil	0.63	3.14	4.95	1.26	1.19	Green	22	—	—	U36RT (4)	L36RT (2)	3-7/16		
YE39P71X142	750 kcmil	—	—	500 kcmil	0.71	3.37	5.41	1.42	1.30	Black	24	—	—	U39RT (4)	S39RT (4)	P39RT (4)	L39RT (2)	3-5/8

1. For sizes above 4/0 the MD6-6R2 must be used.
 2. See Sales Drawings for Metric Conductor Ratings.

4. To use U Dies in Y46 HYPRESS™, catalog number PUADP-1 die adaptor is required.

Note: All dimensions shown are for reference only.

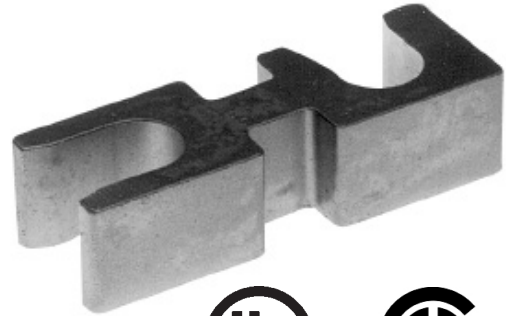
TYPE ASA-U

HYSTACK™ TERMINAL STACKING ADAPTOR

FOR ALUMINUM AND COPPER TERMINALS

UL Listed 90° C, Up to 35 kV

The Hystack™ adaptor is specially designed to allow standard terminals to be stacked on two or four hole NEMA transformer or equipment terminal pads. Hystack™ is tin-plated, high-conductivity aluminum to provide optimum corrosion resistance. Only three sizes accommodate terminals from 250 kcmil through 1000 kcmil to help keep costly inventories to a minimum.

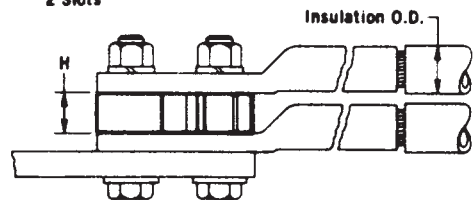
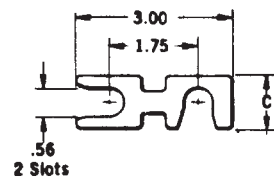


C-141



Features & Benefits

- For use on terminals made from copper or aluminum material
- Designed specifically for stacking standard terminals; uses include:
 - Place the stacking adapter on the mounting plate and a terminal on top of the stacking adapter and bolt down
 - Placing a stacking adapter on a terminal pad that will be mounted to a bus bar or mounting plate and a terminal on top of the stacking adapter, and bolt down
- May be used with standard NEMA two and four hole terminals; to stack four hole NEMA terminations use two stacking adapters assembled side-by-side
- Only three sizes accommodate terminals from 250 kcmil through 1000 kcmil minimizing inventory requirements
- Stacking adaptors are clearly marked



Accommodates Copper and Aluminum Compression Terminals		Catalog Number	C	H
Conductor Max.	Insulation O.D.			
250 kcmil	0.87	ASA250U	1.00	0.77
800 kcmil	1.37	ASA800U	1.00	1.13
1000 kcmil	1.49	ASA1000U	1.25	1.25

To stack 4 hole NEMA drilled terminals use 2 adaptors assembled side by side. ASA-U stacking adaptors are recommended for use with any BURNDY® UL Listed compression terminal, 2 or 4 hole NEMA pad aluminum and copper lugs, types YA, YA-L, YA-A, and for all 2-hole NEMA spaced lugs in the OVERHEAD and UNDERGROUND catalog sections.

Note: All dimensions shown are for reference only.

TYPE CUSA

HYSTACK™

C-142

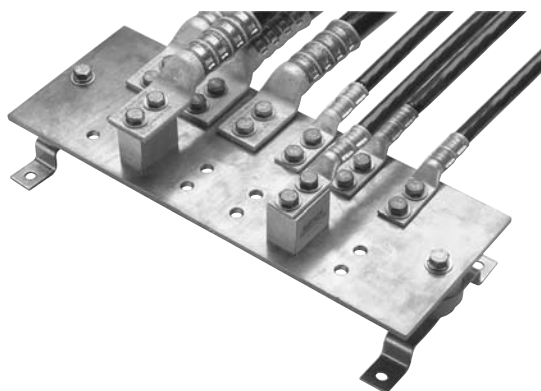
TERMINAL STACKING ADAPTOR

This Hystack™ adaptor is specially designed to get terminals to the back end of a bus bar or other areas that require terminals to be elevated off the mounting surface. This Hystack™ is made from high conductivity copper and tin-plated to provide optimum corrosion resistance. It will accommodate #10 AWG through 750 kcmil HYLUG™ terminals.



Features & Benefits

- For use on terminals made from copper or aluminum material
- Designed specifically for stacking standard terminals; uses include:
 - Place the stacking adaptor on the mounting plate and a terminal on top of the stacking adaptor and bolt down
 - Placing a stacking adaptor on a terminal pad that will be mounted to a bus bar or mounting plate and a terminal on top of the stacking adaptor, and bolt down
- May be used with standard NEMA two and four hole terminals; to stack four hole NEMA terminations use two stacking adaptors assembled side-by-side
- Only three sizes accommodate terminals from 250 kcmil through 1000 kcmil minimizing inventory requirements
- Stacking adaptors are clearly marked



Catalog Number	Stud Hole Size	Stud Hole Spacing	Length	Width	Height
CUSA442TC38	3/8"	1"	1.75"	1.12"	1.50"
CUSA442NTC	1/2"	1-3/4"	3.00"	1.12"	1.50"

Note: All dimensions shown are for reference only.

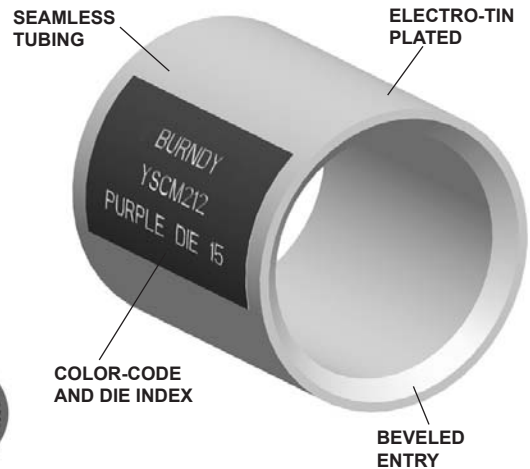
Reference: Catalog Number TMH332.

This TMH332 Kit has just the right hardware when using the CUSA442TC38 Hystack on a 1/4" bus bar with a 4/0 through 750 kcmil HYLUG™.

COLOR-CODED HYLINK™ UNINSULATED PARALLEL SPLICE

TYPE YSCM

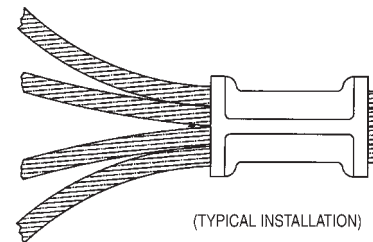
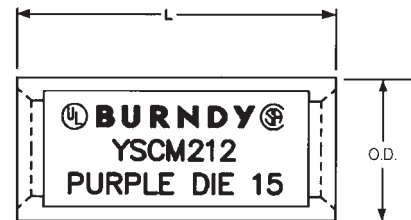
Type YSCM HYLINK™ seamless parallel splice connectors permit stranded wires to be laid parallel inside the connector and spliced together with BURNDY® compression tools. Each YSCM connector accommodates a wide range of conductors and is color-coded to ensure proper tool and die match. YSCM connectors are cULus Listed Wire Connectors per UL 486A/B for Grounding and Bonding, and UL 467 and rated for Direct Burial in Earth and Concrete.



C-143

Features & Benefits

- Copper seamless barrel uninsulated parallel splice
- Designed to accommodate a wide range of stranded wires to be laid parallel inside the barrel and spliced together
- Barrel is designed with an internal chamfer at the wire entry to ensure smooth insertion of the wire, preventing possible damaging of the wire strands during insertion
- Electro-tin plated unless otherwise specified to reduce galvanic corrosion (bimetallic) and resist corrosive elements
- Barrel is color coded to ensure proper die and installation tooling is selected
- YSCM Uninsulated Parallel Splices are cULus Listed Wire Connectors per UL 486A-486B per UL 467
- cULus Listed for Grounding and Bonding per UL467 with Direct Burial (DB) rating in Earth or Concrete

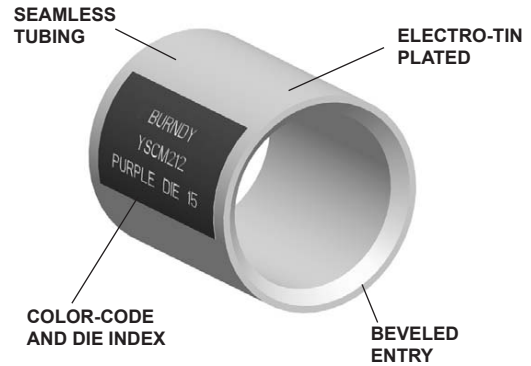


COLOR-CODED HYLINK™ UNINSULATED PARALLEL SPLICE

TYPE YSCM

(Continued)

C-144



Catalog Number	Conductor Range Cable Circular Mils	Dimensions Inches [mm]		Color Code	Die Index	Recommended Installation Tooling		Wire Strip Length
		L ±.03	O.D. ±.01			OUR840, Y500CTHS, PAT60018V Series	Y35, Y750, PAT750 Series	
YSCM17	13,060 - 16,910	0.50 [13]	0.27 [7]	Red	49	X8CRT, W8CRT	U8CRT	11/16
YSCM27	16,910 - 26,890	0.50 [13]	0.31 [8]	Blue	7	X5CRT, W5CRT	U5CRT	11/16
YSCM42	29,970 - 41,520	0.50 [13]	0.38 [10]	Gray	8	X4CRT, W4CRT	U4CRT	11/16
YSCM66	42,750 - 66,040	0.62 [16]	0.47 [12]	Brown	10	X2CRT, W2CRT	U2CRT	3/4
YSCM80	67,980 - 80,020	0.62 [16]	0.52 [13]	Green	11	X1CRT, W1CRT-1	U1CRT-1	3/4
YSCM104	82,870 - 103,630	0.69 [18]	0.57 [14]	Pink	12	X25RT, W25RT	U25RT	15/16
YSCM133	104,960 - 133,220	0.81 [21]	0.64 [16]	Black	13	X26RT, W26RT	U26RT	1-1/16
YSCM167	134,340 - 166,560	0.81 [21]	0.70 [18]	Orange	14	X27RT, W27RT	U27RT	1-1/16
YSCM212	167,380 - 211,820	0.88 [22]	0.78 [20]	Purple	15	X28RT, W28RT	U28RT	1-1/16
YSCM231	- 230,800	1.05 [27]	0.81 [21]	Yellow	16	X29RT, W29RT	U29RT	1-1/16

Notes:

- Material: Copper per ASTM B75.
 - Finish: Tin plated. For nickel plating, add suffix "NK" to the Catalog Number.
- † Recommended strip length. Strip length dependant on size, no. of wires and insulation thickness.
- ‡ Refer to Circular Mil Table per ASTM B8 for total Class B Circular Mil calculations.
- * YSCM231 can also be installed with MY29-3 and retain Listings.

Add the circular mils of the wires you wish to splice; that sum would be used to determine the correct splice using the Min/Max on the table above.

The table to the right is for reference only.

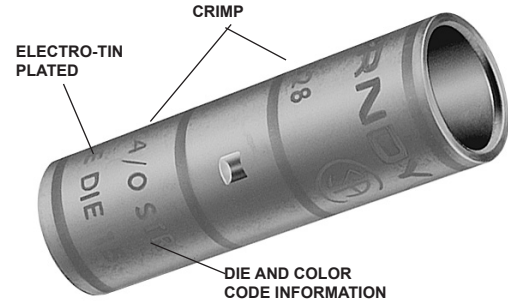
Size		ASTM Strandings	
Circular Mils	AWG	Class	Cable Diameter (in)
1,022	20	B	0.036
1,624	18	B	0.045
2,583	16	B	0.057
4,107	14	B	0.072
6,530	12	B	0.091
10,380	10	B	0.116
13,090	9	B	0.130
16,510	8	B	0.146
20,820	7	B	0.164
26,250	6	B	0.184
33,100	5	B	0.206
41,740	4	AA	0.254
41,740	4	B&A	0.232
52,630	3	AA	0.285
52,630	3	B&A	0.260
66,370	2	AA	0.320
66,370	2	B&A	0.292
83,690	1	AA	0.360
83,690	1	A	0.328
83,690	1	B	0.332
105,500	1/0	A&A	0.368
105,500	1/0	—	0.390
105,500	1/0	B	0.373
133,100	2/0	A&A	0.414
133,100	2/0	—	0.438
133,100	2/0	B	0.419
167,800	3/0	A&A	0.464
167,800	3/0	—	0.492
167,800	3/0	B	0.470
211,600	4/0	A&A	0.522
211,600	4/0	—	0.522
211,600	4/0	B	0.528

TYPE YS-L

HYLINK™ SPLICE STANDARD BARREL

COPPER COMPRESSION

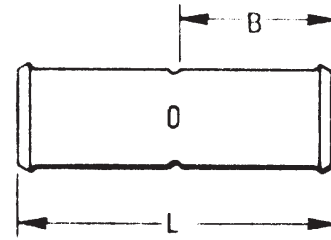
UL Listed 90° C, Up to 35 kV ♦



C-145

Features & Benefits

- Copper seamless barrel has center stop indentations used to indicate when wire is fully inserted into each side of the barrel
- Barrel is designed with an internal chamfer at the wire entry to ensure smooth insertion of the wire, preventing possible damaging of the wire strands during insertion
- Electro-tin plated unless otherwise specified to reduce galvanic corrosion (bimetallic) and resist corrosive elements
- Short/Standard length barrel is recommended for installations with limited space requirements
- Connectors clearly marked with color coding



Catalog Number	Conductor		Dimensions		Dieless (# of crimps)	Installation Tooling ▲						Wire Strip Length	
	AWG	*** MM²	L	B		Mechanical			Y35, ■ Y39, Y750, Y46*		▲ Die Index & Embossment		
						Y1MRTC Y2MR	MD7-34R	MD6 OUR840	Die Number (# crimps)	Color Code			
YS8C-L-BOX	8 Str.	10	1.00	0.44	Y81KFT (1) Y81KFTMBH (1) PAT81KFT-18V (1)	Y1MRTC (1)	W8CVT (1)	X8CRT (1)	U8CRT (1)	Red	49	1/2"	
YS6C-LBOX	6 Str.	—	1.75	0.81			W5CVT (1)	X5CRT (1)	U5CRT (1)	Blue	7 or 374	7/8"	
YS5C-LBOX	5 Str.	16	1.90	0.81		Y1MRTC (2)	W4CVT (1)	X4CRT (1)	U4CRT (1)	Gray	8 or 346	7/8"	
YS3C-L	3 Str./ 2 Sol.	25	2.05	0.88			—	—	U3CRT (1)	White	9	15/16"	
YS2C-LBOX	2 Str.	—	2.00	0.88			W2CVT (1)	X2CRT (1)	U2CRT (1)	Brown	10	15/16"	
YS1C-LBOX	1 Str.	50	2.06	0.88			W1CVT (1)	X1CRT (1)	U1CRT-1 (1)	Green	11 or 375	15/16"	
YS25-LBOX	1/0 Str.	—	2.08	0.88		Y81KFT (2) Y81KFTMBH (2) PAT81KFT-18V (2)	—	W25VT (2)	X25RT (2)	U25RT (1)	Pink	12 or 348	15/16"
YS26-LBOX	2/0 Str.	70	2.17	0.94				W26VT (2)	X26RT (2)	U26RT (1)	Black	13	1"
YS27-LBOX	3/0 Str.	95	2.30	1.00				W27VT (2)	X27RT (2)	U27RT (1)	Orange	14	1-1/16"
YS28-LBOX	4/0 Str.	—	2.32	1.00				W28VT (2)	X28RT (2)	U28RT (1)	Purple	15	1-1/16"
YS29-LBOX	250 kcmil	120	2.46	1.06	W29VT (2)			—	U29RT (1)	Yellow	16	1-1/8"	
YS30-L	300 kcmil	150	2.47	1.06	W30VT (2)			—	U30RT (2)	White	17 or 298	1-1/8"	
YS31-L	350 kcmil	185	2.60	1.12	W31VT (2)			—	U31RT (2)	Red	18 or 324	1-3/16"	
YS32-L	400 kcmil	—	2.74	1.19	W32VT (2)			—	U32RT (2)	Blue	19 or 470	1-1/4"	
YS34-L	500 kcmil	240	3.15	1.38	W34VT (2)			—	U34RT (2)	Brown	20 or 299	1-7/16"	
YS36-L	600 kcmil	300	3.22	1.38	—			—	U36RT (2)	Green	22 or 472	1-7/16"	
YS38-L	700 kcmil	—	3.22	1.38	Y81KFT (3) Y81KFTMBH (3) PAT81KFT-18V (3)	—	—	—	U38RT (2)	Pink	400	1-7/16"	
YS39-L	750 kcmil	—	3.72	1.62			—	—	U39RT (2)	Black	24	1-11/16"	
YS44-L	1000 kcmil	500	4.28	1.88			—	—	P44RT (2)**	White	27	1-15/16"	

▲ See tooling section of this catalog for complete tool and die listings.

* Use PUADP-1 adapter with U dies in Y46 HYPRESS™.

** P44RT for use with Y46 HYPRESS™ only. PUADP-1 adaptor not required.

*** The MM² conductor sizes listed are the recommendations for Class 2 conductor.

■ The maximum size for the Y35 is 400 kcmil insulated code cable.

♦ For applications greater than 2000 Volts consult cable manufacturer for voltage stress relief instructions.

Note: All dimensions shown are for reference only.

Compression Connections

BURNDY®

Copper Compression — Code — Long Barrel — Splice

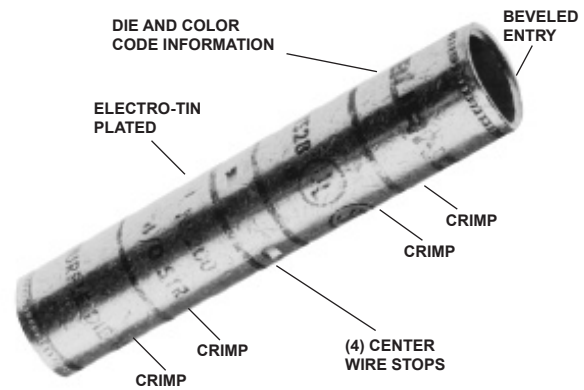
TYPE YS

HYLINK™ SPLICE - LONG BARREL

C-146

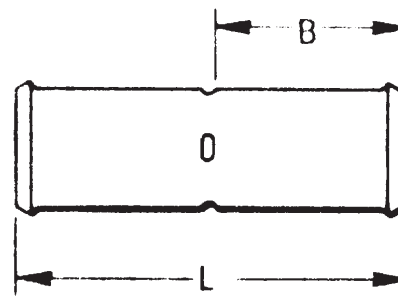
COPPER COMPRESSION SPLICE

UL Listed 90° C, Up to 35 kV ♦



Features & Benefits

- Copper seamless barrel has center stop indentations used to indicate when wire is fully inserted into each side of the barrel
- Barrel is designed with an internal chamfer at the wire entry to ensure smooth insertion of the wire, preventing possible damaging of the wire strands during insertion
- Electro-tin plated unless otherwise specified to reduce galvanic corrosion (bimetallic) and resist corrosive elements
- Barrel is color coded to ensure proper die and installation tooling is selected
- Long barrel allows for an increased number of crimps which will increase the mechanical strength of the connection while allowing the connection to operate at a lower temperature rating

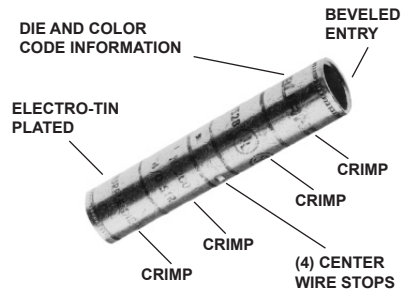


TYPE YS

HYLINK™ SPLICE - LONG BARREL

COPPER COMPRESSION SPLICE

UL Listed 90° C, Up to 35 kV ♦
(Continued)



C-147

Catalog Number	Conductor		Dimensions		Dieless (# of crimps)	Installation Tooling ▲						Wire Strip Length
	AWG	mm²	L	B		Mechanical			Y35†, Y39, Y750, Y46		▲ Die Index & Embossment	
						Y1MRTC	MD7-34R	MD6 OUR840	Die Number (# crimps)	Color Code		
YS8C	8 Str.	10	1.75	0.78	Y / PAT81KFT (1)	Y1MRTC (2)	W8CVT (2)	X8CRT (2)	U8CRT (2)	Red	49	7/8
YS6C	6 Str.	—	2.38	1.09			W5CVT (2)	X5CRT (2)	U5CRT (2)	Blue	7 or 374	1-3/16
YS5C	5 Str.	16	2.55	1.09			W5CVT (2)	X5CRT (2)	U5CRT (2)	Blue	7 or 374	1-3/16
YS4C	4 Str.	—	2.55	1.09		W4CVT (2)	X4CRT (2)	U4CRT (2)	Gray	8 or 346	1-3/16	
YS3C	3 Str./2 Sol.	25	2.80	1.22	Y / PAT81KFT (2)	Y1MRTC (4)	—	U3CRT (2)	—	White	9	1-5/16
YR2C2WT	2 Str. - 2Sol.	25	3.03	1.25			W2CVT (2) W2CRT (2)	W2CVT (2) W2CRT (2)	U2CRT (2)	Brown	10	1-5/8
YS2C	2 Str.	35	2.82	1.22			W2CVT (2)	X2CRT (2)	U2CRT (2)	Brown	10	1-5/16
YS1C	1 Str.	50	3.07	1.34			W1CVT (2)	X1CRT-1 (2)	U1CRT-1 (2)	Green	11 or 375	1-7/16
YS25	1/0 Str.	—	3.08	1.34		—	W25VT (4)	X25RT (4)	U25RT (2)	Pink	12 or 348	1-7/16
YS26	2/0 Str.	70	3.30	1.45		—	W26VT (4)	X26RT (4)	U26RT (2)	Black	13	1-9/16
YS27	3/0 Str.	—	3.30	1.45		—	W27VT (4)	X27RT (4)	U27RT (2)	Orange	14	1-9/16
YS28	4/0 Str.	—	3.57	1.58		—	W28VT (4)	X28RT (4)	U28RT (2)	Purple	15	1-11/16
YS29	250 kcmil	120	3.58	1.58		—	W29VT (4)	—	U29RT (2)	Yellow	16	1-11/16
YS30	300 kcmil	150	4.34	1.95		Y / PAT81KFT (3)	—	W30VT (4)	—	U30RT (4)	White	17 or 298
YS31	350 kcmil	185	4.35	1.95	—		W31VT (4)	—	U31RT (4)	Red	18 or 324	2-1/16
YS32	400 kcmil	—	4.62	2.08	—		W32VT (4)	—	U32RT (4)	Blue	19 or 470	2-3/16
YS34	500 kcmil	240	4.91	2.20	Y / PAT81KFT (4)	—	W34VT (4)	—	U34RT (4)	Brown	20 or 299	2-5/16
YS36	600 kcmil	300	5.85	2.63		—	—	—	U36RT (4)	Green	22 or 472	2-3/4
YS39	750 kcmil	—	6.38	2.81		—	—	—	U39RT (4)	Black	24	2-15/16
YS44	1000 kcmil	500	6.55	2.94		—	—	—	P44RT (2)	White	27	3-1/16
YS46	1500 kcmil	—	7.01	3.13	—	—	—	P46RT (6)	Green	31	3-1/4	
YS48	2000 kcmil	—	7.57	3.27	—	—	—	L48RT (4)	Brown	34	3-3/8	

① Not color coded.
* Use PUADP-1 adapter with U dies in Y46 HYPRESS™.
** P44RT for use with Y46 HYPRESS™ only. PUADP-1 adapter not required.

*** The MM² conductor sizes listed are the recommendations for Class 2 conductor.
■ The maximum size for the Y35 is 400 kcmil.
▲ See tooling section of this catalog for complete tool and die listings

♦ For applications greater than 2000 Volts consult cable manufacturer for voltage stress relief instructions.
† Requires Y60BHU HYPRESS™ with L48RT die set.
Note: All dimensions shown are for reference only.

REDUCING ADAPTER

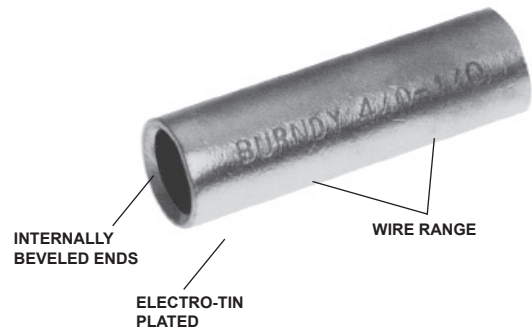
TYPE Y-R

FOR COPPER

C-148

Up to 35 kV ♦

The Y-R reducing adapter has been designed to allow large size, long barrel, copper long barrel. HYDENT™, HYSPLICE™ and HYTEE™ terminals, splices and T taps to be used on smaller conductor sizes. To use, simply insert the reducer into the barrel, insert the wire into the reducer adapter and crimp the outer barrel using its recommended tooling.



Features & Benefits

- Reducing adapters fit inside copper long barrel compression terminals (Type YA-), splices (Type YS-), or tap connectors
- The outside diameter of the reducing adapter is equivalent to the terminal or splice accommodating wire size, and the inside diameter of the reducer adapter is reduced to accommodate a smaller wire size
- Use the same installation tooling and die sets or dieless tool recommended for the compression terminal, splice, or tap connection with the reducing adapter
- Barrel is designed with an internal chamfer at the wire entry to ensure smooth insertion of the wire, preventing possible damage of the wire strands during insertion
- Electro-tin plated, unless otherwise specified, to reduce galvanic corrosion (bimetallic) and resist corrosive elements
- Can be field modified to fit shorter length compression terminals (Type YA-L) and splices (Type YS-L)
- Connectors are clearly marked with stamping



Example Accommodate a 4/0 AWG wire on one end and a #2 AWG wire on the other:

1. Use a YS28 (which splices two 4/0 AWG wires on each end)
2. Select a Y282CR reducing adapter (reducing adapter fits the YS28 barrel with a reduced inside diameter that accommodates a #2 AWG wire size)
3. Fully insert the Y282CR reducing adapter into one end of the YS28 splice barrel
4. Insert the #2 AWG wire into the Y282CR reducing adapter that is inside the YS28 splice barrel
5. Crimp the YS28 barrel side with the Y282CR reducing adapter, using the recommended die and tool combination or dieless tool as specified for use on the YS28
6. Insert the 4/0 AWG wire into the other end of the YS28 barrel and crimp that side of the splice using the recommended installation tooling and your splice reducing connection is complete!

Catalog Number	Wire Range		Dimensions	
	From	To	Max O.D.	L
Y286CR	4/0 AWG	6,8, Str. 6 Sol.	0.53	1.75
Y284WR		4 Sol.	0.53	1.75
Y284CR		4 Str.	0.53	1.75
Y282CR		2 Str.	0.53	1.75
Y281CR		1 Str.	0.53	1.75
Y2825R		1/0 Str.	0.53	1.75
Y2826R		2/0 Str.	0.53	1.75
Y2827R		3/0 Str.	0.53	1.75
Y2928R		250 kcmil	4/0	0.58
Y304CR	300 kcmil	4	0.64	2.00
Y302CR		2	0.64	2.00
Y3025R		1/0	0.64	2.00
Y3026R		2/0	0.64	2.00
Y3027R		3/0	0.64	2.00
Y3028R		4/0	0.64	2.00
Y3126R	350 kcmil	2/0	0.69	2.00
Y3128R		4/0	0.69	2.00
Y3129R		250	0.69	2.00
Y342CR	500 kcmil	2 Str.	0.82	2.50
Y3425R		1/0 Str.	0.82	2.50
Y3426R		2/0 Str.	0.82	2.50
Y3427R		3/0 Str.	0.82	2.50
Y3428R		4/0 Str.	0.82	2.50
Y3429R		250 kcmil	0.82	2.50
Y3430R		300 kcmil	0.82	2.50
Y3431R		350 kcmil	0.82	2.50
Y3432R		400 kcmil	0.82	2.50
Y3934R	750 kcmil	500 kcmil	1.02	2.88
Y3936R		600 kcmil	1.02	2.88
Y4439R	1000 kcmil	750 kcmil	1.30	3.00

Contact Technical Support for other sizes not listed.

♦ For applications greater than 2000 Volts consult cable manufacturer for voltage stress relief instructions.

Note: All dimensions shown are for reference only.

UNINSULATED BELLED STANDARD LENGTH COPPER COMPRESSION SPLICE

HYLINK™ TYPE YS-LB

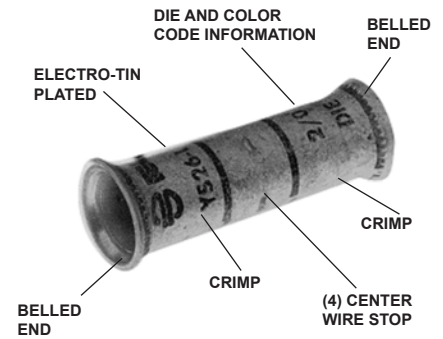
UL Listed 90° C, 600 Volts to 35 kV ♦



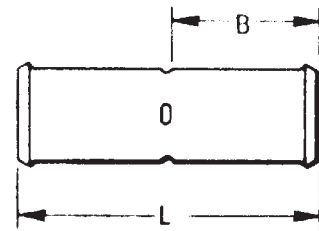
HYLINK™ type YS-LB splices are designed for flexible and extra flexible copper conductors used in mining machines, locomotives, welding cables and other flexible cable applications. The seamless, high conductivity copper, electro-tin plated belled barrel provides for easy insertion of flexible stranded conductors and the nest indenter die system provides an excellent electrical and mechanical connection.

Features & Benefits

- Copper seamless barrel is designed with a “belled” end opening at the wire entry to ensure smooth insertion of highly flexible stranded wire, preventing possible damaging of the wire strands during insertion
- Electro-tin plated unless otherwise specified to reduce galvanic corrosion (bimetallic) and resist corrosive elements
- Short/Standard length barrel is recommended for installations with limited space requirements
- Barrel has center stop indentations used to indicate when wire is fully inserted into each side of the barrel
- Connectors are clearly marked with color coding to ensure proper die and installation tooling is selected



C-149



See next page for Installation Tooling Information

Catalog Number	Copper Conductor							Dimensions	
	Class B, C	Flexible and Extra Flexible Cables							
		Class G	Class H	Class I	Battery Cable Class K	Welding Cable Class M	Locomotive Cable	B	L
YS8C-LB	8	#8 (49 str)	#8 (133 str)	—	#8 (168/30)	#8 (420/34)	#8 (37/24)	0.44	1.09
YS5C-LB	5	#6 (49 str)	#6 (133 str)	#6 (63/24)	#6 (266/30)	#6 (665/34)	#6 (61/24)	0.81	1.82
YS4C-LB	4	#5 (49 str)	#5 (133 str)	#5 (84/24)	#5 (336/30)	#5 (836/34)	#5 (91/24)	0.81	1.84
YS3C-LB	3	#4 (49 str)	#4 (133 str)	#4 (105/24)	#4 (420/30)	#4 (1064/34)	#4 (105/24)	0.88	1.96
YS2C-LB	2	#3 (49 str)	#3 (133 str)	#3 (133/24)	#3 (532/30)	#3 (1323/24)	#3 (125/24)	0.87	1.98
YS1C-LB	1	#2 (49 str)	#2 (133 str)	#2 (161/24)	#2 (665/30)	#2 (1666/34)	#2 (150/24)	0.87	1.97
YS25-LB	1/0	#1 (133 str)	#1 (259 str)	#1 (210/24)	#1 (836/30)	#1 (2107/34)	#1 (225/24)	0.87	2.00
YS26-LB	2/0	1/0 (133 str)	1/0 (259 str)	1/0 (266/24)	1/0 (1064/30)	1/0 (2646/34)	1/0 (275/24)	0.93	2.12
YS27-LB	3/0	2/0 (133 str)	2/0 (259 str)	2/0 (342/24)	2/0 (1323/30)	2/0 (3325/34)	2/0 (325/24)	0.99	2.24
YS28-LB	4/0	3/0 (133 str)	3/0 (259 str)	3/0 (418/24)	3/0 (1666/30)	—	3/0 (450/24)	0.98	2.26
YS29-LB	250	4/0 (133 str)	4/0 (259 str)	—	—	—	—	1.04	2.40
YS30-LB	300	250 kcmil (259 str)	250 kcmil (427 str)	4/0 (532/24)	4/0 (2107/30)	4/0 (5320/34)	4/0 (550/24)	1.04	2.41
YS32-LB	400	300 kcmil (259 str)	300 kcmil (427 Str)	300 kcmil (735/24)	300 kcmil (2989/30)	300 kcmil (7581/34)	313.1 kcmil (775/24)	1.17	2.69
YS34-LB	500	350 kcmil (259 str) 400 kcmil (259 str)	350 kcmil (427 str) 400 kcmil (427 str)	350 kcmil (882/24) 400 kcmil (980/24)	350 kcmil (3458/30)	350 kcmil (8806/34)	373.7 kcmil (925/24)	1.35	3.10
YS36-LB	600	500 kcmil (259 str)	500 kcmil (427 str)	450 kcmil (1127/24)	450 kcmil (4522/30)	450 kcmil (11396/34)	444.4 kcmil (1100/24)	1.66	3.14
YS38-LB	700	550 kcmil (427 str)	550 kcmil (703 str)	500 kcmil (1225/24) 550 kcmil (1372/24)	500 kcmil (5054/30)	500 kcmil (12691/34)	535.3 kcmil (1325/24)	1.85	3.14
YS39-LB	750	600 kcmil (427 str)	—	—	—	550 kcmil (13664/34)	—	1.85	3.64
YS40-LB	800	—	600 kcmil (703 str)	600 kcmil (1470/24)	—	600 kcmil (14945/34)	—	1.85	3.67
YS44-LB	1000	750 kcmil (427 str)	750 kcmil (703 str)	650 kcmil (1596/24)	600 kcmil (5985/30)	—	777.7 kcmil (1925/24)	1.85	4.20

* Contact BURNDY® for conductors not shown.

♦ For applications greater than 2000 Volts consult cable manufacturer for voltage stress relief instructions.

Note: All dimensions shown are for reference only.

Compression Connections

Copper Compression — Flex — Splice — Belled Ends

BURNDY®

TYPE YS-LB

INSTALLATION TOOLING CHART

UNINSULATED BELLED COPPER COMPRESSION SPLICE

C-150

STANDARD LENGTH BELLED BARREL

UL Listed 90° C, Up to 35 kV ♦

(Continued)



Catalog Number	Cable Size	Installation Tooling ▲				Hydraulic						Wire Strip Length
		Dieless (# of Crimps)	Die Index	Dieless HYTOOL™ (# of crimps)	Die Type	Y35 †	Y39 †	Y750 †	Y45 †	Y46 * †	Y60BHU	
YS8C-LB	8 AWG	-	49	Y8MRB-1	DIE SET	U8CRT	U8CRT	U8CRT	U8CRT	U8CRT	-	7/16
	8 Flex		1013		NEST INDENTOR	UV8L Y34PL	UV8L Y34PL	UV8L Y34PL	UV8L Y34PL	UV8L Y34PL	- -	
YS5C-LB ①	5 AWG	Y / PAT644 (1) Y / PAT81KFT (1)	7	MR4C	DIE SET	U5CRT	U5CRT	U5CRT	U5CRT	U5CRT	-	7/8
	6 Flex		1014	MY29-3 MY29-11	NEST INDENTOR	U6CD-1 Y34PR	U6CD-1 Y34PR	U6CD-1 Y34PR	U6CD-1 Y34PR	U6CD-1 Y34PR		
YS4C-LB	4 AWG		8	MR4C	DIE SET	U4CRT	U4CRT	U4CRT	U4CRT	U4CRT		7/8
	5 Flex		1015	MY29-3 MY29-11	NEST INDENTOR	U4CD-1 Y34PR	U4CD-1 Y34PR	U4CD-1 Y34PR	U4CD-1 Y34PR	U4CD-1 Y34PR		
YS3C-LB	3 AWG		9	MY29-3	DIE SET	U3CRT	U3CRT	U3CRT	U3CRT	U3CRT		15/16
	4 Flex		1016	MY29-11	NEST INDENTOR	U3CD-1 Y34PR	U3CD-1 Y34PR	U3CD-1 Y34PR	U3CD-1 Y34PR	U3CD-1 Y34PR		
YS2C-LB	2 AWG		10	MY29-3	DIE SET	U2CRT	U2CRT	U2CRT	U2CRT	U2CRT		15/16
	3 Flex		1017	MY29-11	NEST INDENTOR	U2CD-1 Y34PR	U2CD-1 Y34PR	U2CD-1 Y34PR	U2CD-1 Y34PR	U2CD-1 Y34PR		
YS1C-LB	1 AWG		11	MY29-3	DIE SET	U1CRT-1	U1CRT-1	U1CRT-1	U1CRT-1	U1CRT-1		15/16
	2 Flex		1018	MY29-11	NEST INDENTOR	U1CD-1 Y34PR	U1CD-1 Y34PR	U1CD-1 Y34PR	U1CD-1 Y34PR	U1CD-1 Y34PR		
YS25-LB	1/0 AWG		12	MY29-3	DIE SET	U25RT	U25RT	U25RT	U25RT	U25RT		15/16
	1 Flex		1019	MY29-11	NEST INDENTOR	U25D-1 Y34PR-2	U25D-1 Y34PR-2	U25D-1 Y34PR-2	U25D-1 Y34PR-2	U25D-1 Y34PR-2		
YS26-LB	2/0 AWG	13	MY29-3	DIE SET	U26RT	U26RT	U26RT	U26RT	U26RT	1		
	1/0 Flex	1020	MY29-11	NEST INDENTOR	U26D-1 Y34PR-2	U26D-1 Y34PR-2	U26D-1 Y34PR-2	U26D-1 Y34PR-2	U26D-1 Y34PR-2			
YS27-LB	3/0 AWG	14	MY29-3	DIE SET	U27RT	U27RT	U27RT	U27RT	U27RT	1-1/16		
	2/0 Flex	1021	MY29-11	NEST INDENTOR	U27D-1 Y34PR-2	U27D-1 Y34PR-2	U27D-1 Y34PR-2	U27D-1 Y34PR-2	U27D-1 Y34PR-2			
YS28-LB	4/0 AWG	15	MY29-3	DIE SET	U28RT	U28RT	U28RT	U28RT	U28RT	-	1-1/16	
	3/0 Flex	1022	MY29-11	NEST INDENTOR	- Y34PR-2	U28D-1 Y34PR-2	U28D-1 Y34PR-2	U28D-1 Y34PR-2	U28D-1 Y34PR-2			
YS29-LB	250 kcmil	16	MY29-3	DIE SET	U29RT	U29RT	U29RT	U29RT	U29RT	-	1-1/16	
	4/0 Flex	1023	MY29-11	NEST INDENTOR	- Y34PR-2	U29D-1 Y34PR-2	U29D-1 Y34PR-2	U29D-1 Y34PR-2	U29D-1 Y34PR-2			
YS30-LB	300 kcmil	17	-	DIE SET	U30RT	U30RT	U30RT	U30RT	U30RT	L30RT	1-1/8	
	4/0-250 Flex	1024	-	NEST INDENTOR	- Y34PR-2	U30D-1 Y34PR-2	U30D-1 Y34PR-2	U30D-1 Y34PR-2	U30D-1 Y34PR-2			

† Use Y35P3 adaptor with Y34PR indenter.

* Use PUADP-1 adaptor with U-DIES in Y46 HYPRESS™.

▲ See Tooling section in this catalog for complete tool and die listings.

① Not color coded.

♦ For applications greater than 2000 Volts consult cable manufacturer for voltage stress relief instructions.

Note: All dimensions shown are for reference only.

TYPE YS-LB

INSTALLATION TOOLING CHART

UNINSULATED BELLED COPPER COMPRESSION SPLICE

STANDARD LENGTH BELLED BARREL

UL Listed 90° C, Up to 35 kV ♦

(Continued)



C-151



Catalog Number	Cable Size	Installation Tooling ▲				Hydraulic						Wire Strip Length	
		Dieless (# of Crimps)	Die Index	Dieless HYTOOL™ (# of crimps)	Die Type	Y35 †	Y39 †	Y750 †	Y45 †	Y46 * †	Y60BHU		
YS32-LB	400 kcmil	Y / PAT644 (2) Y / PAT81KFT (2)	19	-	DIE SET	U32RT	U32RT	U32RT	U32RT	U32RT	L32RT	1-1/4	
	300 Flex		1026		NEST INDENTOR	- -	U32D-1 Y34PR-2	U32D-1 Y34PR-2	U32D-1 Y34PR-2	U32D-1 Y34PR-2	U32D-1 Y34PR-2		- -
YS34-LB	500 kcmil		20	-	DIE SET	-	U34RT	U34RT	U34RT	U34RT	U34RT	L34RT	1-7/16
	350 Flex		1027		NEST INDENTOR	- -	U34D-1 Y34PR-2	U34D-1 Y34PR-2	U34D-1 Y34PR-2	U34D-1 Y34PR-2	U34D-1 Y34PR-2	- -	
YS36-LB	600 kcmil		22	-	DIE SET	-	U36RT	U36RT	U36RT	U36RT	U36RT	L36RT	1-3/4
	500 Flex		1028		NEST INDENTOR	- -	- -	- -	- -	- -	P36D P48PR-1	- -	
YS38-LB	700 kcmil		400	-	DIE SET	U38RT	U38RT	U38RT	U38RT	U38RT	U38RT	-	1-15/16
	550 Flex		1029		NEST INDENTOR	- -	- -	- -	- -	- -	P38D P48PR-1	- -	
YS39-LB	750 kcmil		24	-	DIE SET	-	U39RT	U39RT	S39RT	P39RT	L39RT	1-15/16	
	600 Flex		1030		NEST INDENTOR	- -	- -	- -	- -	P39D P48PR-1	- -		
YS40-LB	800 kcmil		25	-	DIE SET	-	-	-	S40RT	P40RT	L40RT	1-15/16	
	600 Flex		1031		NEST INDENTOR	- -	- -	- -	- -	P40D P48PR-1	- -		
YS44-LB	1000 kcmil		27	-	DIE SET	-	-	-	S44RT	P44RT	L44RT	1-15/16	
	750 Flex		1022		NEST INDENTOR	- -	- -	- -	- -	P44D P48PR-1	- -		

† Use Y35P3 adaptor with Y34PR indentor.

* Use PUADP-1 adaptor with U-DIES in Y46 HYPRESS™.

▲ See Tooling section in this catalog for complete tool and die listings.

① Not color coded.

♦ For applications greater than 2000 Volts consult cable manufacturer for voltage stress relief instructions.

Note: All dimensions shown are for reference only.

TYPES YS-T AND YSP-T

HIGH-VOLTAGE HYLINK™

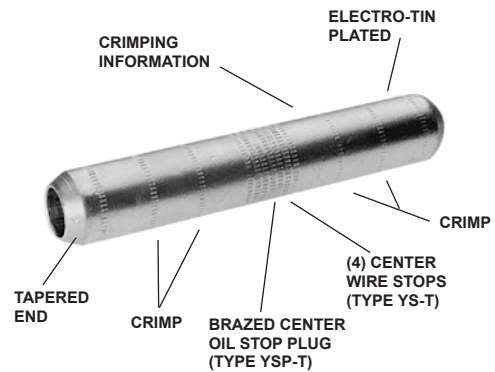
C-152

UNINSULATED HIGH VOLTAGE COPPER COMPRESSION SPLICE

STANDARD BARREL - TAPERED ENDS

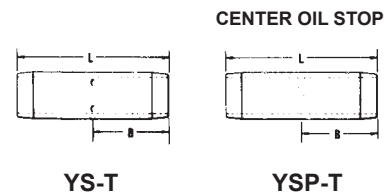
UL Listed 90° C, Up to 35 kV ♦

Seamless types YS-T and YSP-T high conductivity copper electro-tin plated compression HYLINK™ high-voltage splices with standard barrel and tapered ends are ideally suited for higher voltage applications from 5 kV through 35 kV.



Features & Benefits

- Copper seamless barrel is designed with tapered ends per EEI Standard TD160, indicating use on voltages 5kV through 35kV; this aids in preventing corona emission and simplifies taping for lower installation cost
- Barrel also has an internal chamfer at the wire entry to ensure smooth insertion of the wire, preventing possible damage of the wire strands during insertion
- Electro-tin plated unless otherwise specified to reduce galvanic corrosion (bimetallic) and resist corrosive elements
- Short/Standard length barrel is recommended for installations with limited space requirements
- Type YS-T barrel has center stop indentations used to indicate when wire is fully inserted into each side of the barrel
- Type YSP-T barrel has a center plug permanently brazed in place; this plug prevents oil within oil filled conductor from passing through the splice connector and is also an indication when the wire is fully inserted into each side of the barrel
- Connectors are clearly marked with color coding to ensure proper die and installation tooling is selected



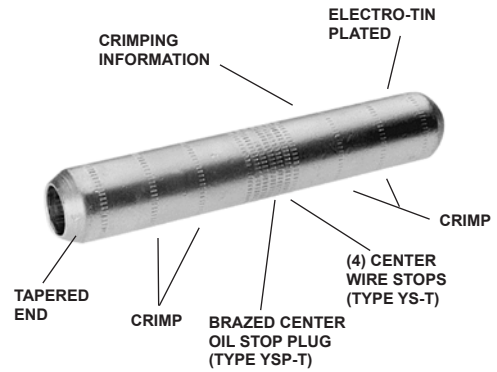
TYPES YS-T AND YSP-T

HIGH-VOLTAGE HYLINK™

UNINSULATED HIGH VOLTAGE COPPER
COMPRESSION SPLICE

STANDARD BARREL - TAPERED ENDS

UL Listed 90° C, Up to 35 kV ♦
(Continued)



C-153

Catalog Number		Code Conductors	Dimensions		Installation Tooling- Nest/Indentor ▲					Wire Strip Length
					Y34B Y34PR Indentor	Y35, Y39, Y750, Y34PR Indentor Y35P3 Adaptor	Y35, Y39, Y750, Y46, PAT750 Die Number	Die Index ▲	No. of Indent	
YS-T	YSP-T		B	L	Nest Die	Nest Die	(# of crimps per end)			
YS6C-T	—	6 Str.	0.90	2.16	B6CD	U6CD-1	U5CRT (2)	7	1	15/16
YS4C-T	YSP4C-T	4 Str.	0.90	2.16	B4CD	U4CD-1	U4CRT (2)	8	1	15/16
YS2C-T	YSP2C-T	2 Str.	0.98	2.34	B2CD	U2D-1	U2CRT (2)	10	1	1
YS1C-T	YSP1C-T	1 Str.	0.97	2.31	B1CD	U1D-1	U1CRT-1 (2)	11	1	1
YS25-T	YSP25-T	1/0 Str.	0.98	2.35	B25D	U25D-1	U25RT (2)	12	1	1-3/32
YS26-T	YSP26-T	2/0 Str.	1.04	2.47	B26D	U26D-1	U26RT (2)	13	1	1-3/32
YS28-T	YSP28-T	4/0 Str.	1.13	2.67	B28D	U28D-1	U28RT (2)	15	1	1-3/16
YS29-T	YSP29-T	250 kcmil	1.21	2.85	B29D	U29D-1	U29RT (2)	16	1	1-3/32
YS30-T	YSP30-T	300 kcmil	1.22	2.87	B30D	U30D-1	U30RT (4)	17	2	1-5/16
YS31-T	YSP31-T	350 kcmil	1.32	3.09	B31D	U31D-1	U31RT (4)	18	2	1-3/5
YS34-T	YSP34-T	500 kcmil	1.68	3.86	No Die Needed	U34D-1	U34RT (4)	20	2	1-3/4
YS39-T	YSP39-T	750 kcmil	2.00	4.60	—	—	U39RT (4)	24	2	2-1/8

* Use adapter PUADP-1 with U Dies in Y46 HYPRESS™. Y46 HYPRESS™ uses the same nest indentor and adaptor as the Y35, Y39 and Y750, but with the PUADP-1 adaptors.

** A 0.06 radius at each end is used for sizes 6-27.

■ The maximum size for the Y35 is 400 kcmil.

▲ See tooling section of this catalog for complete tool and die listings.

♦ For applications greater than 2000 Volts consult cable manufacturer for voltage stress relief instructions.

Note: All dimensions shown are for reference only.

Compression Connections

BURNDY®

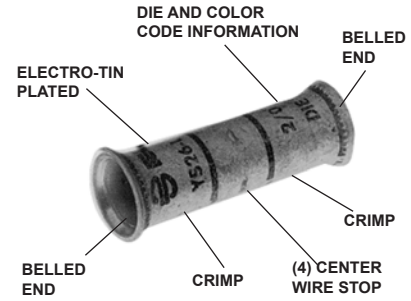
Copper Compression — Flex — Splice — Long Barrel — Belled Ends

TYPE YS-FXB

HYLINK™ - SPLICE - BELLED LONG BARREL

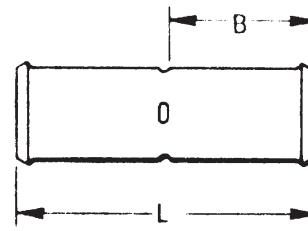
C-154

UL Listed 90° C, Up to 35 kV ♦



Features & Benefits

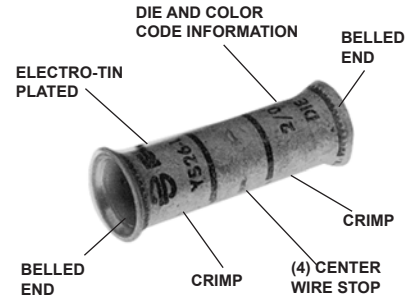
- Copper seamless barrel is designed with a "belled" opening at the wire entry to ensure smooth insertion of highly flexible stranded wire, preventing possible damaging of the wire strands during insertion
- Electro-tin plated unless otherwise specified to reduce galvanic corrosion (bimetallic) and resist corrosive elements
- Long barrel allows for an increased number of crimps which will increase the mechanical strength of the connection
- Barrel has center stop indentations used to indicate when wire is fully inserted into each side of the barrel
- Connectors clearly marked with color coding



TYPE YS-FXB

HYLINK™ - SPLICE - BELLED LONG BARREL

UL Listed 90° C, Up to 35 kV ♦
(Continued)



C-155

Catalog Number	Conductor Flexible Cable Code AWG	*** MM²	Dimensions		Installation Tooling				Cable Strip Length	
			L (mm)	B (mm)	Mechanical	Y35 †, Y39, Y750, Y46*				
					Dieless (# of crimps/end)	Y1MRTC	Embossed Die Index	Color Code	Die Number (# of crimps/end)	
YS8C-FXB	#8 AWG G,H,I,K,M DLO (37/24) #8 AWG, #6 SOL, #8 SOL	10	1.99 (51)	0.90 (23)	Y / PAT81KFT (1)	Y1MR (2)	49	Red	U8CRT (2)	1" (25)
YSV6C-FXB	#6 AWG G,H,I,K,M DLO (61/24) #6 AWG	† 16	2.62 (67)	1.22 (31)		Y1MR (2)	7	Blue	U5CRT (2)	1-5/16" (33)
YSV4C-FXB	#4 AWG G,H,I,K,M DLO (105/24) #4 AWG	—	2.62 (67)	1.22 (31)		Y1MR (4)	8	Gray	U4CRT (2)	1-5/16" (33)
YSV2C-FXB	#2 AWG G,H,I,K,M DLO (150/24) #2 AWG	35	2.89 (73)	1.35 (34)		Y1MR (4)	10	Brown	U2CRT (2)	1-7/16" (37)
YSV1C-FXB	#1 AWG G,H,I,K,M DLO (225/24) #1 AWG	—	3.18 (81)	1.50 (38)		—	11	Green	U1CRT-1 (2)	1-9/16" (40)
YSV25-FXB	1/0 AWG G,H,I,K,M DLO (275/24) 1/0 AWG	50	3.18 (81)	1.50 (38)		—	12	Pink	U25RT (2)	1-9/16" (40)
YSV26-FXB	2/0 AWG G,H,I,K,M DLO (325/24) 2/0 AWG	70	3.44 (87)	1.63 (41)		—	13	Black	U26RT (2)	1-11/16" (43)
YSV27-FXB	3/0 AWG G,H,I,K,M DLO (450/24) 3/0 AWG	95	3.46 (88)	1.64 (42)	—	14	Orange	U27RT (2)	1-11/16" (43)	
YSV28-FXB	4/0 AWG G,H,I,K,M DLO (550/24) 4/0 AWG	† 120	3.72 (94)	1.77 (45)	Y / PAT81KFT (2)	—	15	Purple	U28RT (2)	1-7/8" (48)
YS30-FXB	250 kcmil G,H	—	4.51 (115)	2.16 (55)		—	16	Yellow	U29RT (2)	2-1/4" (57)
YS31-FXB	250 kcmil I,K,M DLO 262 (650/24)	150	4.54 (115)	2.18 (55)		—	17	White	U30RT (4)	2-1/4" (57)
YS32-FXB	300 kcmil G,H,I,K,M DLO 313 (775/24)	185	4.82 (122)	2.32 (59)		—	18	Red	U31RT (4)	2-7/16" (62)
YS34-FXB	350 kcmil G,H,I,K,M DLO 373 (925/24)	240	5.14 (131)	2.48 (63)		—	19	Blue	U32RT (4)	2-9/16" (65)
YS36-FXB	500 kcmil G,H DLO 444 (110/24)	300	6.09 (155)	2.95 (75)		—	20	Brown	U34RT (4)	3-1/16" (79)
YS38-FXB	500 kcmil H,I,K 550 kcmil G,H,I DLO 535 (325/24)	—	6.34 (161)	3.08 (78)		Y / PAT81KFT (3)	—	L99	Pink	U38XRT (4)
YS40-FXB	650 kcmil G DLO 646 (1600/24)	400	6.66 (1.69)	3.24 (82)	—		24	Black	U39RT (4)	3-5/16" (84)
YS44-FXB	750 kcmil G,H DLO 777 (1925/24)	500	6.84 (174)	3.33 (85)	—		L115	Yellow	U44XRT (4) †P44XRT (4)	3-7/16" (87)

* Use PUADP-1 adapter with U dies in Y46 HYPRESS™.
† P-RT dies sets are for use with Y46 HYPRESS™ only.
*** The MM² conductor sizes listed are the recommendations for Class 5 conductor.

† 16 MM² and 120 MM² referenced are for both Class 2 and Class 5
■ The maximum size for the Y35 is 373.7 kcmil.
▲ See tooling section of this catalog for complete tool and die listings.

♦ For applications greater than 2000 Volts consult cable manufacturer for voltage stress relief instructions.
Note: All dimensions shown are for reference only. Measurements in brackets [] are in metric dimensions.

TYPE YS-TC

HYSPLICE™

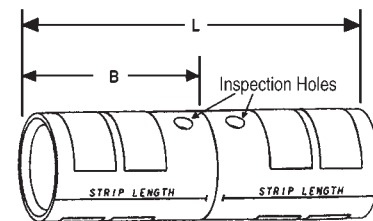
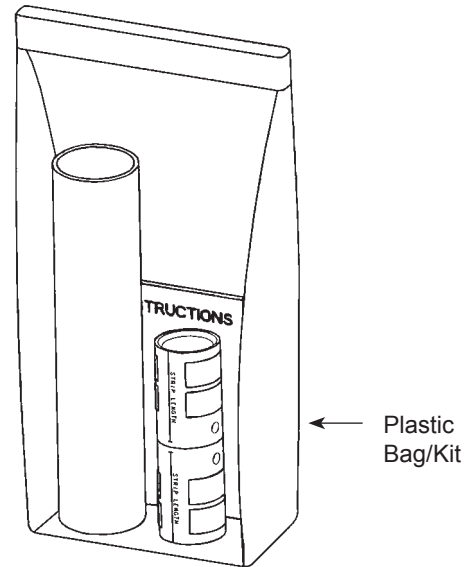
C-156

In-line Splice Kits

YS-TC kits are for splicing cables and covering the connection with clear heat shrink. Splices are constructed from seamless, high conductivity electrolytic copper tubing for maximum conductivity and tin-plated to resist corrosion. Each YS-TC splice is provided with inspection holes and cable stops. The YS-TC family also features the BURNDY® color code system.

Features & Benefits

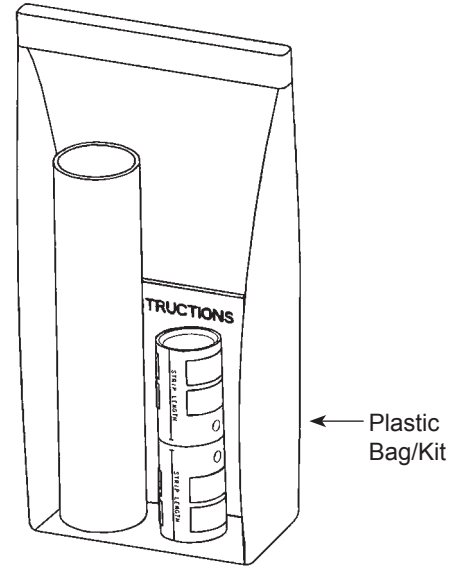
- Each splice kit includes one YS-TC compression splice connector and heat shrink
- The YS-TC compression splice connector provided in the kit is UL Listed in accordance with UL 486A-486B - Wire Connectors; UL Listed 90°C up to 35kV
- Barrels have 2 inspection windows on each side to allow for visual verification that the wire has been fully inserted prior to crimping the splice
- Barrel is designed with an internal chamfer at the wire entry to ensure smooth insertion of the wire, preventing possible damaging of the wire strands during insertion
- Electro-tin plated unless otherwise specified to reduce galvanic corrosion (bimetallic) and resist corrosive elements
- Short/Standard length barrel is recommended for installations with limited space requirements and meet the exact UL testing requirements as long barrel connectors so performance of the connection is not compromised
- Connectors clearly marked with color coding



TYPE YS-TC

HYSPLICE™

In-line Splice Kits
(Continued)



C-157

Clear Heat Shrink Kit Catalog Number	Wire Size		Barrel Type	Dimensions		Color Code	Die Index	Wire Strip Length
	AWG	mm ²		Barrel	Length			
YS44FXLTCKITC	750 kcmil G,H DLO 777 (1925/24)	500 mm ² Class 5	Standard	1.90	4.30	Yellow	L115	1.96
YS39LTCKITC	750 kcmil Code	—	Standard	1.62	3.68	Black	23	1.67
YS38FXLTCKITC	500 kcmil H,I,K 550 kcmil G,H,I DLO 535 (325/24)	300 mm ² Class 5	Standard	1.71	3.87	Pink	L99	1.77
YS34LTCKITC	500 kcmil Code	240 mm ² Class 2	Standard	1.56	3.51	Brown	20	1.60
YS34FXLTCKITC	350 kcmil G,H,I,K,M DLO 373 (925/24)	240 mm ² Class 2	Standard	1.56	3.51	Blue	19 or L80	1.60
YS31LTCKITC	350 kcmil Code	185 mm ² Class 2	Standard	1.39	3.10	Red	17	1.42
YS29FXLTCKITC	250 kcmil Flex 4/0 AWG G,H,I,K,M DLO (550/24)	—	Standard	1.36	2.98	Yellow	16	1.38
YS28LTCKITC	4/0 AWG Code	—	Standard	1.23	2.69	Purple	15	1.24
YS26LTCKITC	2/0 AWG Code	70 mm ²	Standard	1.16	2.62	Black	13	1.10
YS26FXLTCKITC	2/0 AWG G,H,I,K,M DLO (325/24)	70 mm ² Class 5	Standard	1.09	2.41	Black	13	1.10
YS25LTCKITC	1/0 AWG Code	—	Standard	1.04	2.37	Pink	12	1.00
YS25FXLTCKITC	1/0 AWG G,H,I,K,M DLO (275/24) 1/0 AWG	50 mm ² Class 5	Standard	1.04	2.18	Pink	12	1.00
YS2CLTCKITC	#2 AWG Code	35 mm ² Class 5	Standard	0.82	1.88	Brown	10	0.78
YS2CFXLTCKITC	#2 AWG G,H,I,K,M DLO (150/24)	35 mm ² Class 5	Standard	0.82	1.73	Brown	10	0.78
YS4CFXLTCKITC	#4 AWG G,H,I,K,M DLO (105/24) #4 AWG	—	Standard	0.74	1.69	Gray	8	0.71
YS6CFXLTCKITC	#6 AWG G,H,I,K,M DLO (61/24) #6 AWG	16 mm ² Class 5 or Class 2	Standard	0.73	1.60	Blue	724	0.70
YS8CFXLTCKITC	#8 AWG G,H,I,K,M DLO (37/24) #8 AWG, #6 SOL, #8 SOL	—	Standard	0.65	1.48	Red	49	0.62

* Clear Heatshrink – UL224 VW1 Listed – passes TELCORDIA GR-347-CORE Abrasion and Cut Test.

(Up to 750 kcmil Class B code cable. Contact factory for 750 flex cable applications.)

Note: All dimensions shown are for reference only.

TYPE YSR-TC

HYREDUCER™

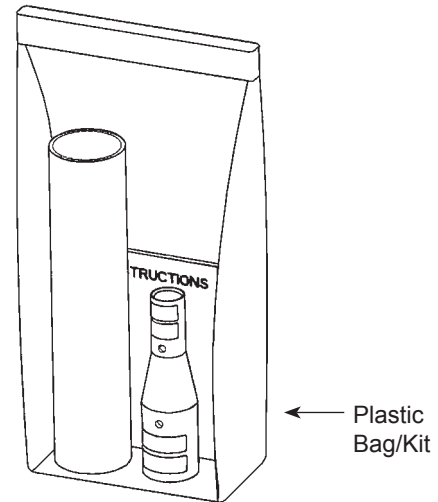
C-158

In-Line Reducer Splice Kits

YSR-TC reducing splice kits provide for splicing two different cable sizes with inspection holes. The larger conductor is inserted first and butts against the center of the connector where the smaller barrel begins. Constructed from seamless, high conductivity electrolytic copper tubing for maximum conductivity and tin plated to resist corrosion. The YSR-TC family also features the BURNDY® color code system.

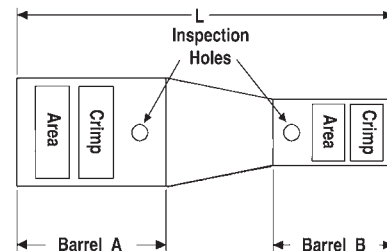
Features & Benefits

- Each splice kit includes one YSR-TC compression in-line splice reducer connector and heat shrink
- The YSR-TC in-line compression splice reducer connector provided in the kit is UL Listed in accordance with UL 486A-486B - Wire Connectors; UL Listed 90°C up to 35kV
- Barrels have 2 inspection windows on each side to allow for visual verification that the wire has been fully inserted prior to crimping the splice
- Designed configurations allow for Copper Code-to-Code wire connections, Copper Code-to-Flex wire connections, and Copper Flex-to-Flex wire connections; see table for more complete details
- Barrel is designed with a taper to accommodate a main run wire that is reduced to a smaller tap wire
- Barrel also provided with an internal chamfer at the wire entry to ensure smooth insertion of the wire, preventing possible damaging of the wire strands during insertion
- Electro-tin plated unless otherwise specified to reduce galvanic corrosion (bimetallic) and resist corrosive elements
- Short/Standard length barrel is recommended for installations with limited space requirements
- Connectors are clearly marked with color coding
- Can be used in place of H-taps; the in-line design saves space in cable trays and other similar applications



Connector with Clear Heat Shrink Kit

Clear heat shrink UL224 VW1 Listed. Passes TELCORDIA GR-347-CORE Abrasion and Cut Test up to 750 kmil Class B code cable; contact factory for 750 flex cable applications.



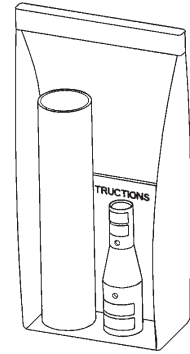
TYPE YSR-TC

HYREDUCER™

In-Line Reducer Splice Kits
(Continued)

Connector with Clear Heat Shrink Kit

Clear heat shrink UL224 VW1 Listed. Passes TELCORDIA GR-347-CORE Abrasion and Cut Test up to 750 kcmil Class B code cable; contact factory for 750 flex cable applications.



← Plastic Bag/Kit

C-159

Clear Heat Shrink Kit Catalog Number	Wire Size				Connector								Wire Strip Length	
	Barrel A		Barrel B		Dimensions			Color Code		Die Index		Barrel A	Barrel B	
	AWG	mm ²	AWG	mm ²	Barrel A	Barrel B	L	Barrel A	Barrel B	Barrel A	Barrel B			
YSR44FX39LTCKITC	750 kcmil G,H DLO 777 (1925/24)	500 mm ² Class 5	750 kcmil Code	-	2.09	1.78	4.38	Yellow	Black	L115	24	1.96	1.67	
YSR44FX38FXLTCKITC			500 kcmil H,I,K 550 kcmil G,H,I DLO 535 (325/24)	300 mm ²	2.09	1.60	4.61		Pink		L99	1.96	1.77	
YSR44FX34LTCKITC			500 kcmil Code	240 mm ²	2.09	1.69	4.91		Brown		20	1.96	1.60	
YSR44FX34FXLTCKITC			350 kcmil G,H,I,K,M DLO 373 (925/24)	240 mm ²	2.09	1.69	4.91		Blue		19 or L80	1.96	1.60	
YSR44FX31LTCKITC			350 kcmil Code	185 mm ²	2.09	1.49	5.18		Red		18	1.96	1.41	
YSR44FX30LTCKITC			300 kcmil Code	150 mm ²	2.09	1.30	5.01		White		17 or 298	1.96	1.24	
YSR44FX29LTCKITC †			250 kcmil Code	-	2.09	1.44	5.53		Yellow		16	1.96	1.38	
YSR44FX29FXLTCKITC			250 kcmil Flex 4/0 AWG G,H,I,K,M DLO (550/24)	120 mm ²	2.09	1.44	5.33		Yellow		16	1.96	1.38	
YSR44FX28LTCKITC †			4/0 AWG Code	-	2.09	1.30	5.27		Purple		15	1.96	1.24	
YSR44FX28FXLTCKITC †			4/0 AWG G,H,I,K,M DLO (550/24) 4/0 AWG	120 mm ²	2.09	1.40	5.46		Purple		15	1.96	1.36	
YSR3939LTCKITC	750 kcmil Code	-	750 kcmil Code	-	1.78	1.78	4.13	Black	Black	24	24	1.67	1.67	
YSR3938FXLTCKITC			500 kcmil H,I,K 550 kcmil G,H,I DLO 535 (325/24)	300 mm ²	1.78	1.88	3.79		Pink		L99	1.67	1.77	
YSR3934LTCKITC			500 kcmil Code	240 mm ²	1.78	1.69	4.09		Brown		20	1.67	1.60	
YSR3934FXLTCKITC			250 kcmil G,H	240 mm ²	1.78	1.69	4.09		Blue		19 or L80	1.67	1.60	
YSR3931LTCKITC			350 kcmil Code	185 mm ²	1.78	1.49	4.36		Red		18	1.67	1.41	
YSR3930LTCKITC			300 kcmil Code	150 mm ²	1.78	1.30	4.23		White		17 or 298	1.67	1.24	
YSR3929LTCKITC †			250 kcmil Code	-	1.78	1.44	4.71		Yellow		16	1.67	1.38	
YSR3929FXLTCKITC			250 kcmil Flex 4/0 AWG G,H,I,K,M DLO (550/24)	120 mm ²	1.78	1.44	4.59		Yellow		16	1.67	1.38	
YSR3928LTCKITC †			4/0 AWG Code	-	1.78	1.30	4.65		Purple		15	1.67	1.24	
YSR3928FXLTCKITC †			4/0 AWG G,H,I,K,M DLO (550/24) 4/0 AWG	120 mm ²	1.78	1.40	4.64		Purple		15	1.67	1.36	

† Provided with 2 heat shrink tubings. One will overlap the other; install the smaller first and larger over it.

Separate Installation Tooling Chart follows.

Compression Connections

BURNDY®

Copper Compression — Reducing Splice Kit — Code/Flex — Standard Barrel — Inspection Window

TYPE YSR-TC

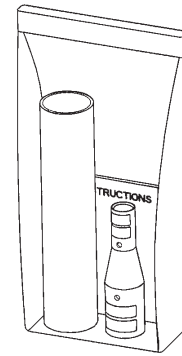
HYREDUCER™

C-160

In-Line Reducer Splice Kits (Continued)

Connector with Clear Heat Shrink Kit

Clear heat shrink UL224 VW1 Listed. Passes TELCORDIA GR-347-CORE Abrasion and Cut Test up to 750 kcmil Class B code cable; contact factory for 750 flex cable applications.



Clear Heat Shrink Kit Catalog Number	Wire Size				Connector								Wire Strip Length		
	Barrel A		Barrel B		Dimensions			Color Code		Die Index		Barrel A	Barrel B		
	AWG	mm²	AWG	mm²	Barrel A	Barrel B	L	Barrel A	Barrel B	Barrel A	Barrel B				
YSR38FX34LTCKITC	500 kcmil H,I,K 550 kcmil G,H,I DLO 535 (325/24)	300 mm²	500 kcmil Code	240 mm²	1.88	1.69	4.06	Pink	Brown	L99	20	1.77	1.60		
YSR38FX34FXLTCKITC			350 kcmil G,H,I,K,M DLO 373 (925/24)	240 mm²	1.88	1.69	4.06		Blue		19 or L80	1.77	1.60		
YSR38FX31LTCKITC			350 kcmil Code	185 mm²	1.88	1.49	4.33		Red		18	1.77	1.41		
YSR38FX30LTCKITC			300 kcmil Code	150 mm²	1.88	1.30	4.20		White		17 or 298	1.77	1.24		
YSR38FX29LTCKITC †			250 kcmil Code	-	1.88	1.44	4.67		Yellow		16	1.77	1.38		
YSR38FX29FXLTCKITC †			250 kcmil Flex 4/0 AWG G,H,I,K,M DLO (550/24)	120 mm²	1.88	1.44	4.48		Yellow		16	1.77	1.38		
YSR38FX28FXLTCKITC †			4/0 AWG G,H,I,K,M DLO (550/24) 4/0 AWG	120 mm²	1.88	1.40	4.60		Purple		15	1.77	1.36		
YSR38FX28LTCKITC †			4/0 AWG Code	-	1.88	1.30	4.62		Pink		Purple	L99	15	1.77	1.24
YSR38FX26FXLTCKITC †			2/0 AWG G,H,I,K,M DLO (325/24) 2/0 AWG	70 mm² Class 5	1.88	1.13	4.62				Black		13	1.77	1.09
YSR3434FXLTCKITC			350 kcmil G,H,I,K,M DLO 373 (925/24)	240 mm²	1.69	1.69	3.51				Brown		Blue	20	19 or L80
YSR3431LTCKITC	350 kcmil Code	185 mm²	1.69	1.49	3.66	Red	18	1.60	1.41						
YSR3429FXLTCKITC	250 kcmil Flex 4/0 AWG G,H,I,K,M DLO (550/24)	120 mm²	1.69	1.44	3.81	Yellow	16	1.60	1.38						
YSR3428LTCKITC	4/0 AWG Code	-	1.69	1.30	3.95	Purple	15	1.60	1.24						
YSR3426FXLTCKITC †	2/0 AWG G,H,I,K,M DLO (325/24) 2/0 AWG	70 mm² Class 5	1.69	1.13	4.01	Black	13	1.60	1.09						
YSR3425FXLTCKITC †	1/0 AWG G,H,I,K,M DLO (275/24) 1/0 AWG	50 mm²	1.69	1.04	4.01	Pink	12	1.60	1.00						
YSR34FX31LTCKITC	350 kcmil G,H,I,K,M DLO 373 (925/24)	240 mm²	350 kcmil Code	185 mm²	1.69	1.49	3.63	Blue	Red	19 or L80		18	1.60		1.41

† Provided with 2 heat shrink tubings. One will overlap the other; install the smaller first and larger over it.

Separate Installation Tooling Chart follows.

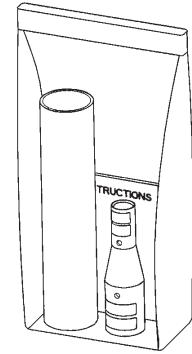
TYPE YSR-TC

HYREDUCER™

In-Line Reducer Splice Kits
(Continued)

Connector with Clear Heat Shrink Kit

Clear heat shrink UL224 VW1 Listed. Passes TELCORDIA GR-347-CORE Abrasion and Cut Test up to 750 kcmil Class B code cable; contact factory for 750 flex cable applications.



← Plastic Bag/Kit

C-161

Clear Heat Shrink Kit Catalog Number	Wire Size				Connector								Wire Strip Length	
	Barrel A		Barrel B		Dimensions			Color Code		Die Index		Barrel A	Barrel B	
	AWG	mm ²	AWG	mm ²	Barrel A	Barrel B	L	Barrel A	Barrel B	Barrel A	Barrel B			
YSR34FX29FXLTCKITC	350 kcmil G,H,I,K,M DLO 373 (925/24)	240 mm ²	250 kcmil Flex 4/0 AWG G,H,I,K, DLO (550/24)	120 mm ²	1.69	1.44	3.81	Blue	Yellow	19 or L80	16	1.60	1.38	
YSR34FX28FXLTCKITC			4/0 AWG G,H,I,K,M DLO (550/24) 4/0 AWG	120 mm ²	1.69	1.43	3.86		Purple		15	1.60	1.36	
YSR34FX28LTCKITC			4/0 AWG Code	-	1.69	1.30	3.95		Purple		15	1.60	1.24	
YSR34FX26FXLTCKITC			2/0 AWG G,H,I,K,M DLO (325/24) 2/0 AWG	70 mm ² Class 5	1.69	1.13	3.94		Black		13	1.60	1.09	
YSR34FX25FXLTCKITC			1/0 AWG G,H,I,K,M DLO (275/24) 1/0 AWG	50 mm ²	1.69	1.04	4.01		Pink		12	1.60	1.00	
YSR34FX2CFXLTCKITC			#2 AWG G,H,I,K,M DLO (150/24) #2 AWG	35 mm ²	1.69	0.82	4.02		Brown		10	1.60	0.78	
YSR34FX4CFXLTCKITC ††			#4 AWG G,H,I,K,M DLO (105/24)	-	1.69	0.74	4.11		Gray		8	1.60	0.71	
YSR34FX6CFXLTCKITC ††			#6 AWG G,H,I,K,M DLO (61/24) #6 AWG	16 mm ²	1.69	0.73	4.26		Blue		7	1.60	0.70	
YSR3129FXLTCKITC	350 kcmil Code	185 mm ² Class 2	250 kcmil Flex 4/0 AWG G,H,I,K, DLO (550/24)	120 mm ²	1.49	1.44	3.13	Red	Yellow	18	16	1.41	1.38	
YSR3128FXLTCKITC			4/0 AWG G,H,I,K,M DLO (550/24) 4/0 AWG	120 mm ²	1.25	1.40	3.25		Purple		15	1.41	1.36	
YSR3128LTCKITC			4/0 AWG Code	-	1.49	1.30	3.27		Purple		15	1.41	1.24	
YSR3126FXLTCKITC			2/0 AWG G,H,I,K,M DLO (325/24) 2/0 AWG	70 mm ² Class 5	1.49	1.16	3.24		Black		13	1.41	1.10	
YSR3125FXLTCKITC			1/0 AWG G,H,I,K,M DLO (275/24) 1/0 AWG	50 mm ²	1.49	1.04	3.33		Pink		12	1.41	1.00	

† Provided with 2 heat shrink tubings. One will overlap the other; install the smaller first and larger over it.

Separate Installation Tooling Chart follows.

Compression Connections

BURNDY®

Copper Compression — Reducing Splice Kit — Code/Flex — Standard Barrel — Inspection Window

TYPE YSR-TC

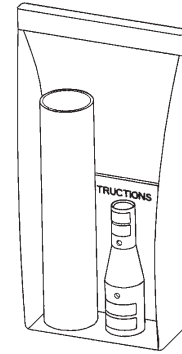
HYREDUCER™

C-162

In-Line Reducer Splice Kits (Continued)

Connector with Clear Heat Shrink Kit

Clear heat shrink UL224 VW1 Listed. Passes TELCORDIA GR-347-CORE Abrasion and Cut Test up to 750 kcmil Class B code cable; contact factory for 750 flex cable applications.



← Plastic Bag/Kit

Clear Heat Shrink Kit Catalog Number	Wire Size				Connector								Wire Strip Length	
	Barrel A		Barrel B		Dimensions			Color Code		Die Index		Barrel A	Barrel B	
	AWG	mm ²	AWG	mm ²	Barrel A	Barrel B	L	Barrel A	Barrel B	Barrel A	Barrel B			
YSR312CFXLTCKITC	350 kcmil Code	185 mm ² Class 2	#2 AWG G,H,I,K,M DLO (150/24)	35 mm ²	1.49	0.82	3.37	Red	Brown	18	10	1.41	0.78	
YSR314CFXLTCKITC †			#4 AWG G,H,I,K,M DLO (105/24)	-	1.49	0.74	3.43		Gray		8	1.41	0.71	
YSR316CFXLTCKITC †			#6 AWG G,H,I,K,M DLO (61/24)	16 mm ²	1.49	0.73	3.58		Blue		7	1.41	0.70	
YSR32FX29FXLTCKITC	300 kcmil G,H,I,K,M DLO (91/24)	185 mm ² Class 2	250 kcmil Flex 4/0 AWG G,H,I,K, DLO (550/24)	120 mm ²	1.57	1.44	3.50	Red	Yellow	19 or L80	16	1.48	1.38	
YSR32FX28FXLTCKITC			4/0 AWG G,H,I,K,M DLO (550/24)	120 mm ²	1.57	1.43	3.46		Purple		15	1.48	1.36	
YSR29FX28LTCKITC	250 kcmil Flex 5/0 AWG G,H,I,K,M DLO (550/24)	120 mm ²	4/0 AWG Code	-	1.44	1.30	3.00	Yellow	Purple	16	15	1.38	1.24	
YSR29FX25FXLTCKITC			1/0 AWG G,H,I,K,M DLO (275/24)	50 mm ²	1.44	1.04	3.10		Pink		12	1.38	1.00	
YSR29FX2CFXLTCKITC			#2 AWG G,H,I,K,M DLO (150/24)	35 mm ²	1.44	0.82	3.13		Brown		10	1.38	0.78	
YSR2825FXLTCKITC	4/0 AWG Code	-	1/0 AWG G,H,I,K,M DLO (275/24)	50 mm ²	1.30	1.04	2.66	Purple	Pink	15	12	1.24	1.00	
YSR282CFXLTCKITC			#2 AWG G,H,I,K,M DLO (150/24)	35 mm ²	1.30	0.82	2.70		Brown		10	1.24	0.78	
YSR284CFXLTCKITC †			#4 AWG G,H,I,K,M DLO (105/24)	-	1.30	0.74	2.69		Gray		8	1.24	0.71	
YSR286CFXLTCKITC †			#6 AWG G,H,I,K,M DLO (61/24)	16 mm ²	1.30	0.73	2.99		Blue		7	1.24	0.70	

† Provided with 2 heat shrink tubings. One will overlap the other; install the smaller first and larger over it.

Separate Installation Tooling Chart follows.

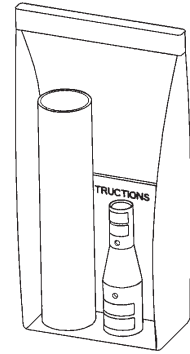
TYPE YSR-TC

HYREDUCER™

In-Line Reducer Splice Kits
(Continued)

Connector with Clear Heat Shrink Kit

Clear heat shrink UL224 VW1 Listed. Passes TELCORDIA GR-347-CORE Abrasion and Cut Test up to 750 kcmil Class B code cable; contact factory for 750 flex cable applications.



← Plastic Bag/Kit

C-163

Clear Heat Shrink Kit Catalog Number	Wire Size				Connector								Wire Strip Length	
	Barrel A		Barrel B		Dimensions			Color Code		Die Index			Barrel A	Barrel B
	AWG	mm ²	AWG	mm ²	Barrel A	Barrel B	L	Barrel A	Barrel B	Barrel A	Barrel B	Barrel A	Barrel B	
YSR28FX28LTCKITC	4/0 AWG G,H,I,K,M DLO (550/24) 4/0 AWG	120 mm ²	4/0 AWG Code	-	1.43	1.27	3.00	Purple	Purple	15	15	1.36	1.24	
YSR28FX26FXLTCKITC			2/0 AWG G,H,I,K,M DLO (325/24) 2/0 AWG	70 mm ² Class 5	1.43	1.13	2.94		Black		13	1.36	1.19	
YSR28FX25FXLTCKITC			1/0 AWG G,H,I,K,M DLO (275/24) 1/0 AWG	50 mm ²	1.43	1.02	3.07		Pink		12	1.36	1.00	
YSR28FX2CFXLTCKITC			#2 AWG G,H,I,K,M DLO (150/24) #2 AWG	35 mm ²	1.43	0.79	3.11		Brown		10	1.36	0.78	
YSR28FX4CFXLTCKITC †			#4 AWG G,H,I,K,M DLO (105/24)	-	1.43	0.74	3.10		Gray		8	1.36	0.71	
YSR26FX25FXLTCKITC	2/0 AWG G,H,I,K,M DLO (325/24) 2/0 AWG	70 mm ²	1/0 AWG G,H,I,K,M DLO (275/24) 1/0 AWG	50 mm ²	1.16	1.04	2.36	Black	Pink	13	12	1.10	1.00	
YSR26FX2CFXLTCKITC			#2 AWG G,H,I,K,M DLO (150/24) #2 AWG	35 mm ²	1.16	0.82	2.41		Brown		10	1.10	0.78	
YSR26FX4CFXLTCKITC †			#4 AWG G,H,I,K,M DLO (105/24)	-	1.16	0.74	2.47	Black	Gray	13	8	1.10	0.71	
YSR26FX6CFXLTCKITC †			#6 AWG G,H,I,K,M DLO (61/24) #6 AWG	16 mm ²	1.16	0.73	2.71		Blue		7	1.10	0.70	
YSR25FX2CFXLTCKITC	1/0 AWG G,H,I,K,M DLO (275/24) 1/0 AWG	50 mm ²	#2 AWG G,H,I,K,M DLO (150/24) #2 AWG	35 mm ²	1.04	0.82	2.12	Pink	Brown	12	10	1.00	0.76	
YSR25FX4CFXLTCKITC †			#4 AWG G,H,I,K,M DLO (105/24)	-	1.04	0.74	2.18		Gray		8	1.00	0.62	
YSR25FX6CFXLTCKITC †			#6 AWG G,H,I,K,M DLO (61/24) #6 AWG	16 mm ²	1.04	0.63	2.42		Blue		7	1.00	0.61	

† Provided with 2 heat shrink tubings. One will overlap the other; install the smaller first and larger over it.

Separate Installation Tooling Chart follows.

Compression Connections

BURNDY®

Copper Compression — Reducing Splice Kit — Code/Flex — Standard Barrel — Inspection Window

TYPE YSR-TC

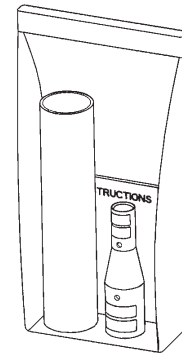
HYREDUCER™

C-164

In-Line Reducer Splice Kits (Continued)

Connector with Clear Heat Shrink Kit

Clear heat shrink UL224 VW1 Listed. Passes TELCORDIA GR-347-CORE Abrasion and Cut Test up to 750 kcmil Class B code cable; contact factory for 750 flex cable applications.



← Plastic Bag/Kit

Clear Heat Shrink Kit Catalog Number	Wire Size				Connector								Wire Strip Length	
	Barrel A		Barrel B		Dimensions			Color Code		Die Index		Barrel A	Barrel B	
	AWG	mm ²	AWG	mm ²	Barrel A	Barrel B	L	Barrel A	Barrel B	Barrel A	Barrel B			
YSR25FX8CFXLTKITC †	1/0 AWG G,H,I,K,M DLO (275/24) 1/0 AWG	50 mm ²	#8 AWG G,H,I,K,M DLO (37/24) #8 AWG #6 Sol #8 Sol	10 mm ² Str.-Flex	1.04	0.73	2.31	Pink	Red	12	49	1.01	.60	
YSR2CFX4CFXLTKITC	#2 AWG G,H,I,K,M DLO (150/24) #2 AWG	35 mm ²	#4 AWG G,H,I,K,M DLO (105/24)	-	0.82	0.74	1.79	Brown	Gray	10	8	0.78	0.63	
YSR2CFX6CFXLTKITC			#6 AWG G,H,I,K,M DLO (61/24) #6 AWG	16 mm ²	0.82	0.73	1.96		Blue		7	0.78	0.61	
YSR2CFX8CFXLTKITC			#8 AWG G,H,I,K,M DLO (37/24) #8 AWG #6 Sol #8 Sol	10 mm ²	0.82	0.60	1.79		Red		49	0.78	0.60	
YSR4CFX6CFXLTKITC	#4 AWG G,H,I,K,M DLO (105/24) #4 AWG	-	#6 AWG G,H,I,K,M DLO (61/24) #6 AWG	16 mm ²	0.74	0.73	1.67	Gray	Blue	8	7	0.71	0.61	
YSR4CFX8CFXLTKITC			#8 AWG G,H,I,K,M DLO (37/24) #8 AWG #6 Sol #8 Sol	10 mm ²	0.74	0.60	1.50		Red		49	0.71	0.60	
YSR4CFX10CLTKITC			#14 - #10 AWG I,K,M DLO (27/24)	6 mm ² Str. or 2.5 mm ² Flex	0.74	0.66	1.66		—		—	0.71	0.65	
YSR6CFX8CFXLTKITC	#6 AWG G,H,I,K,M DLO (61/24) #6 AWG	16 mm ²	#8 AWG G,H,I,K,M DLO (37/24) #8 AWG #6 Sol #8 Sol	10 mm ²	0.73	0.60	1.37	Blue	Red	7	49	0.70	0.57	
YSR6CFX10CLTKITC			#14 - #10 AWG I,K,M DLO (27/24)	6 mm ² Str. or 2.5 mm ² Flex	0.73	0.66	1.53		—		—	0.70	0.63	
YSR6CFX14CLTKITC			#14 - #10 AWG I,K,M DLO (27/24)	6 mm ² Str. or 2.5 mm ² Flex	0.73	0.66	1.53		—		—	.70	.63	

† Provided with 2 heat shrink tubings. One will overlap the other; install the smaller first and larger over it.

Separate Installation Tooling Chart follows.

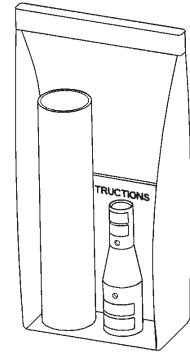
TYPE YSR-TC

HYREDUCER™

In-Line Reducer Splice Kits
(Continued)

Connector with Clear Heat Shrink Kit

Clear heat shrink UL224 VW1 Listed. Passes TELCORDIA GR-347-CORE Abrasion and Cut Test up to 750 kcmil Class B code cable; contact factory for 750 flex cable applications.



← Plastic Bag/Kit

C-165

Clear Heat Shrink Kit Catalog Number	Wire Size				Connector							Wire Strip Length	
	Barrel A		Barrel B		Dimensions			Color Code		Die Index		Barrel A	Barrel B
	AWG	mm ²	AWG	mm ²	Barrel A	Barrel B	L	Barrel A	Barrel B	Barrel A	Barrel B		
YSR8CFX10CLTCKITC	#8 AWG G,H,I,K,M DLO (37/24)	10 mm ²	#14 - #10 AWG I,K,M DLO (27/24)	6 mm ² Str. or 2.5 mm ² Flex	0.57	0.66	1.41	Red	—	49	—	0.57	0.63
YSR8CFX14CLTCKITC	#8 AWG #6 Sol #8 Sol		#14 - #10 AWG I,K,M DLO (27/24)	6 mm ² Str. or 2.5 mm ² Flex	0.57	0.66	1.41		—		—	0.57	0.63
YSR10CFX12CLTCKITC	#10 - #14 AWG I,K,M DLO (27/24)	6 mm ² Str. or 2.5 mm ² Flex	#14 - #10 AWG I,K,M #12 AWG Sol #10 AWG Sol DLO (27/24)	6 mm ² Str. or 2.5 mm ² Flex	0.66	0.66	1.45	—	—	—	—	0.63	0.63
YSR10CFX14CLTCKITC			#14 - #10 AWG I,K,M DLO (27/24)	6 mm ² Str. or 2.5 mm ² Flex	0.66	0.66	1.45		—		—	0.63	0.63

† Provided with 2 heat shrink tubings. One will overlap the other; install the smaller first and larger over it.

Separate Installation Tooling Chart follows.

Compression Connections

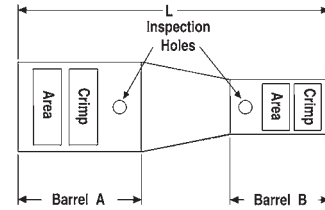
BURNDY®

Copper Compression — Reducing Splice Kit — Code/Flex — Standard Barrel — Inspection Window

TYPE YSR-TC

Connector with Clear Heat Shrink Kit

Clear heat shrink UL224 VW1 Listed.
Passes TELCORDIA GR-347-CORE Abrasion and
Cut Test up to 750 kcmil Class B code cable; contact
factory for 750 flex cable applications.



INSTALLATION TOOLING CHART

Standard Barrel with Inspection Window

C-166

Clear Heat Shrink Kit Catalog Number	Wire Size				Connector				Installation Tooling										
	Barrel A		Barrel B		Color Code		Die Index		Hydraulic		Hydraulic		Mechanical		Dieless				
	AWG	mm ²	AWG	mm ²	Barrel A	Barrel B	Barrel A	Barrel B	Y750, Y35, Y46*, PAT750, PAT46* Series		Y500CTHS, PAT500 Series		OUR840, MD7-34		Y644/PAT644 Series, MY29-11, MRC840				
									Barrel A	Barrel B	Barrel A	Barrel B	Barrel A	Barrel B	Barrel A	Barrel B			
YSR44FX39LTCKITC	750 kcmil G,H DLO 777 (1925/24)	500 mm ² Class 5	750 kcmil Code	-	Yellow	Black	L115	24	U44XRT (2)	U39RT (2)	-	-	-	-	Y/PAT644 (1)	Y/PAT644 (1)			
YSR44FX38FXTCKITC			500 kcmil H,I,K 550 kcmil G,H,I DLO 535 (325/24)	300 mm ²		Pink				L99						U38XRT (2)	-	-	Y/PAT644 (1)
YSR44FX34LTCKITC			500 kcmil Code	240 mm ²		Brown				20						U34RT (2)	W34VT (2) W34RT (2)	W34RT (2)	Y/PAT644 (1)
YSR44FX34FXTCKITC			350 kcmil G,H,I,K,M DLO 373 (925/24)	240 mm ²		Blue				19 or L80						U32RT (2)	W32VT (2) W32RT (2)	W32VT (2)	Y/PAT644 (1)
YSR44FX31LTCKITC			350 kcmil Code	185 mm ²		Red				18						U31RT (2)	W31VT (2) W31RT (2)	W31VT (2)	Y/PAT644 (1)
YSR44FX30LTCKITC			300 kcmil Code	150 mm ²		White				17 or 298						U30RT (2)	W30VT (2) W30RT (2)	W30VT (2)	Y/PAT644 (1)
YSR44FX29LTCKITC †			250 kcmil Code	-		Yellow				16						U29RT (1)	W29VT (2) W29RT (2) X29RT (4)	W29VT (2) X29RT (4)	Y/PAT644 (1)
YSR44FX29FXTCKITC †			250 kcmil Flex 4/0 AWG G,H,I,K,M DLO (550/24)	120 mm ²		Yellow				16						U29RT (1)	W29VT (2) W29RT (2) X29RT (4)	W29VT (2) X29RT (4)	Y/PAT644 (1)
YSR44FX28LTCKITC			4/0 AWG Code	-		Purple				15						U28RT (1)	W28VT (2) W28RT (2) X28RT (3)	W28VT (2) W28RT (2) X28RT (3)	MY29-11 (1) MRC840 (2) Y/PAT644 (1)
YSR44FX28FXTCKITC †			4/0 AWG G,H,I,K,M DLO (550/24) 4/0 AWG	120 mm ²		Purple				15						U28RT (1)	W28VT (2) W28RT (2) X28RT (4)	W28VT (2) W28RT (2) X28RT (4)	MY29-11 (1) MRC840 (2) Y/PAT644 (1)
YSR3939LTCKITC	750 kcmil Code	-	750 kcmil Code	-	Black	Black	24	U39RT (2) P39RT (2)	U39RT (2)	-	-	-	-	Y/PAT644 (1)	Y/PAT644 (1)				
YSR3938FXTCKITC			500 kcmil H,I,K 550 kcmil G,H,I DLO 535 (325/24)	300 mm ²		Pink			L99						U38XRT (2)	-	-	Y/PAT644 (1)	
YSR3934LTCKITC			500 kcmil Code	240 mm ²		Brown			20						U34RT (2)	W34VT (2) W34RT (2)	W34RT (2)	Y/PAT644 (1)	
YSR3934FXTCKITC			250 kcmil G,H	240 mm ²		Blue			19 or L80						U32RT (2)	W32VT (2) W32RT (2)	W32VT (2)	Y/PAT644 (1)	
YSR3931LTCKITC			350 kcmil Code	185 mm ²		Red			18						U31RT (2)	W31VT (2) W31RT (2)	W31VT (2)	Y/PAT644 (1)	
YSR3930LTCKITC			300 kcmil Code	150 mm ²		White			17 or 298						U30RT (2)	W30VT (2) W30RT (2)	W30VT (2)	Y/PAT644 (1)	
YSR3929LTCKITC			250 kcmil Code	-		Yellow			16						U29RT (1)	W29VT (2) W29RT (2) X29RT (4)	W29VT (2) X29RT (4)	Y/PAT644 (1)	
YSR3929FXTCKITC †			250 kcmil Flex 4/0 AWG G,H,I,K,M DLO (550/24)	120 mm ²		Yellow			24						U29RT (1)	W29VT (2) W29RT (2) X29RT (4)	W29VT (2) X29RT (4)	Y/PAT644 (1)	
YSR3928LTCKITC †			4/0 AWG Code	-		Purple			24						U28RT (1)	W28VT (2) W28RT (2) X28RT (3)	W28VT (2) W28RT (2) X28RT (3)	MY29-11 (1) MRC840 (2) Y/PAT644 (1)	
YSR3928FXTCKITC †			4/0 AWG G,H,I,K,M DLO (550/24) 4/0 AWG	120 mm ²		Purple			24						U28RT (1)	W28RT (2) W28RT (2) X28RT (4)	W28VT (2) W28RT (2) X28RT (4)	MY29-11 (1) MRC840 (2) Y/PAT644 (1)	

† Provided with 2 heat shrink tubings. One will overlap the other; install the smaller first and larger over it.

* Y46 / PAT46 Series require the PUADP-1 adapter for U-Dies.

TYPE YSR-TC

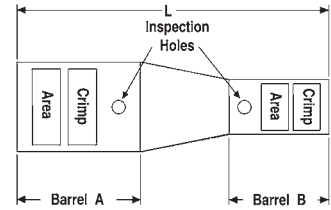
INSTALLATION TOOLING CHART

Standard Barrel with Inspection Window

(Continued)

Connector with Clear Heat Shrink Kit

Clear heat shrink UL224 VW1 Listed.
 Passes TELCORDIA GR-347-CORE Abrasion and
 Cut Test up to 750 kcmil Class B code cable; contact
 factory for 750 flex cable applications.



Clear Heat Shrink Kit Catalog Number	Wire Size				Connector				Installation Tooling									
	Barrel A		Barrel B		Color Code		Die Index		Hydraulic Y750, Y35, Y46*, PAT750, PAT46* Series		Hydraulic Y500CHS, PAT500 Series		Mechanical OUR840, MD7-34		Dieless Y644/PAT644 Series, MY29-11, MRC840			
	AWG	mm²	AWG	mm²	Barrel A	Barrel B	Barrel A	Barrel B	Barrel A	Barrel B	Barrel A	Barrel B	Barrel A	Barrel B	Barrel A	Barrel B		
YSR38FX34LTCKITC	500 kcmil H,I,K 550 kcmil G,H,I DLO 535 (325/24)	300 mm²	500 kcmil Code	240 mm²	Pink	Brown	L99	20	U34RT (2)	U34RT (2)	-	W34VT (2) W34RT (2)	-	W34VT (2)	Y/PAT644 (1)	Y/PAT644 (1)		
YSR38FX34FXLTCKITC			350 kcmil G,H,I,K,M DLO 373 (925/24)	240 mm²		Blue						19 or L80		U32RT (2)		W32VT (2) W32RT (2)	W32VT (2)	Y/PAT644 (1)
YSR38FX31LTCKITC			350 kcmil Code	185 mm²		Red						18		U31RT (2)		W31VT (2) W31RT (2)	W31VT (2)	Y/PAT644 (1)
YSR38FX30LTCKITC			300 kcmil Code	150 mm²		White						17 or 298		U30RT (2)		W30VT (2) W30RT (2)	W30VT (2)	Y/PAT644 (1)
YSR38FX29LTCKITC †			250 kcmil Code	-		Yellow						16		U29RT (1)		W29VT (2) W29RT (2) X29RT (4)	W29VT (2) X29RT (4)	Y/PAT644 (1)
YSR38FX29FXLTCKITC †			250 kcmil Flex 4/0 AWG G,H,I,K,M DLO (550/24)	120 mm²		Yellow						16		U38XRT (2) U29RT (1)		W29VT (2) W29RT (2) X29RT (4)	W29VT (2) X29RT (4)	Y/PAT644 (1)
YSR38FX28FXLTCKITC †			4/0 AWG G,H,I,K,M DLO (550/24) 4/0 AWG	120 mm²		Purple						15		U28RT (1)		W28VT (2) W28RT (2) X28RT (4)	W28VT (2) X28RT (4)	MY29-11 (1) MRC840 (2) Y/PAT644 (1)
YSR38FX28LTCKITC †			4/0 AWG Code	-		Purple						15		U28RT (1)		W28VT (2) W28RT (2) X28RT (3)	W28VT (2) X28RT (3)	MY29-11 (1) MRC840 (2) Y/PAT644 (1)
YSR38FX26FXLTCKITC †			2/0 AWG G,H,I,K,M DLO (325/24) 2/0 AWG	70 mm² Class 5		Black						13		U26RT (1)		W26VT (2) W26RT (2) X26RT (2)	W26VT (2) X26RT (2)	MY29-11 (1) Y/PAT644 (1)
YSR3434FXLTCKITC			500 kcmil Code	240 mm²		350 kcmil G,H,I,K,M DLO 373 (925/24)						240 mm²		Brown		Blue	20	19 or L80
YSR3431LTCKITC	350 kcmil Code	185 mm²			Red	18	U31RT (2)	W31VT (2) W31RT (2)	W31VT (2)	Y/PAT644 (1)								
YSR3429FXLTCKITC	250 kcmil Flex 4/0 AWG G,H,I,K,M DLO (550/24)	120 mm²			Yellow	16	U29RT (1)	W29VT (2) W29RT (2) X29RT (4)	W29VT (2) X29RT (4)	Y/PAT644 (1)								
YSR3428LTCKITC	4/0 AWG Code	-			Purple	15	U28RT (1)	W28VT (2) W28RT (2) X28RT (3)	W28VT (2) X28RT (3)	Y/PAT644 (1)								
YSR3426FXLTCKITC †	2/0 AWG G,H,I,K,M DLO (325/24) 2/0 AWG	70 mm² Class 5			Black	13	U26RT (1)	W26VT (2) W26RT (2) X26RT (2)	W26VT (2) X26RT (2)	MY29-11 (1) Y/PAT644 (1)								
YSR3425FXLTCKITC †	1/0 AWG G,H,I,K,M DLO (275/24) 1/0 AWG	50 mm²			Pink	12	U25RT (1)	W25VT (2) W25RT (2) X25RT (2)	W25VT (2) X25RT (2)	MY29-11 (1) Y/PAT644 (1)								

† Provided with 2 heat shrink tubings. One will overlap the other; install the smaller first and larger over it.

* Y46 / PAT46 Series require the PUADP-1 adapter for U-Dies.

Compression Connections

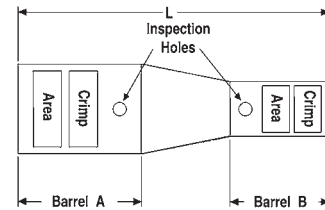
BURNDY®

Copper Compression — Reducing Splice Kit — Code/Flex — Standard Barrel — Inspection Window

TYPE YSR-TC

Connector with Clear Heat Shrink Kit

Clear heat shrink UL224 VW1 Listed.
Passes TELCORDIA GR-347-CORE Abrasion and
Cut Test up to 750 kcmil Class B code cable; contact
factory for 750 flex cable applications.



INSTALLATION TOOLING CHART

Standard Barrel with Inspection Window
(Continued)

C-168

Clear Heat Shrink Kit Catalog Number	Wire Size				Connector				Installation Tooling								
	Barrel A		Barrel B		Color Code		Die Index		Hydraulic Y750, Y35, Y46*, PAT750, PAT46* Series		Hydraulic Y500CTHS, PAT500 Series		Mechanical OUR840, MD7-34		Dieless Y644/PAT644 Series, MY29-11, MRC840		
	AWG	mm ²	AWG	mm ²	Barrel A	Barrel B	Barrel A	Barrel B	Barrel A	Barrel B	Barrel A	Barrel B	Barrel A	Barrel B	Barrel A	Barrel B	
YSR34FX31LTCKITC	350 kcmil G,H,I,K,M DLO 373 (925/24)	240 mm ²	350 kcmil Code	185 mm ²	Blue	Red	19 or L80	18	U31RT (2)	U31RT (2)	W31VT (2) W31RT (2)	W31VT (2)	W31VT (2)	Y/PAT644 (1)	Y/PAT644 (1)		
YSR34FX29FXLTCKITC			250 kcmil Flex 4/0 AWG G,H,I,K, DLO (550/24)	120 mm ²		Yellow										16	U29RT (1)
YSR34FX28FXLTCKITC			4/0 AWG G,H,I,K,M DLO (550/24) 4/0 AWG	120 mm ²		Purple										15	U28RT (1)
YSR34FX28LTCKITC			4/0 AWG Code	-		Purple										15	U28RT (1)
YSR34FX26FXLTCKITC			2/0 AWG G,H,I,K,M DLO (325/24) 2/0 AWG	70 mm ² Class 5		Black										13	U26RT (1)
YSR34FX25FXLTCKITC			1/0 AWG G,H,I,K,M DLO (275/24) 1/0 AWG	50 mm ²		Pink										12	U25RT (1)
YSR34FX2CFXLTCKITC			#2 AWG G,H,I,K,M DLO (150/24) #2 AWG	35 mm ²		Brown										10	U2CRT (1)
YSR34FX4CFXLTCKITC †			#4 AWG G,H,I,K,M DLO (105/24)	-		Gray										8	U4CRT (1)
YSR34FX6CFXLTCKITC †			#6 AWG G,H,I,K,M DLO (61/24) #6 AWG	16 mm ²		Blue										7	U5CRT (1)
YSR3129FXLTCKITC			350 kcmil Code	185 mm ² Class 2		250 kcmil Flex 4/0 AWG G,H,I,K, DLO (550/24)										120 mm ²	Red
YSR3128FXLTCKITC	4/0 AWG G,H,I,K,M DLO (550/24) 4/0 AWG	120 mm ²			Purple	15	U28RT (1)										
YSR3128LTCKITC	350 kcmil Code	185 mm ² Class 2	4/0 AWG Code	-	Red	Purple	18	15	U31RT (2)	U28RT (1)	W31VT (2) W31RT (2)	W31VT (2)	W31VT (2)	Y/PAT644 (1)	Y/PAT644 (1)		
YSR3126FXLTCKITC			2/0 AWG G,H,I,K,M DLO (325/24) 2/0 AWG	70 mm ² Class 5		Black										13	U26RT (1)
YSR3125FXLTCKITC			1/0 AWG G,H,I,K,M DLO (275/24) 1/0 AWG	50 mm ²		Pink										12	U25RT (1)
YSR312CFXLTCKITC			#2 AWG G,H,I,K,M DLO (150/24) #2 AWG	35 mm ²		Brown										10	U2CRT (1)
YSR314CFXLTCKITC †			#4 AWG G,H,I,K,M DLO (105/24)	-		Gray										8	U4CRT (1)
YSR316CFXLTCKITC †			#6 AWG G,H,I,K,M DLO (61/24) #6 AWG	16 mm ²		Blue										7	U5CRT (1)

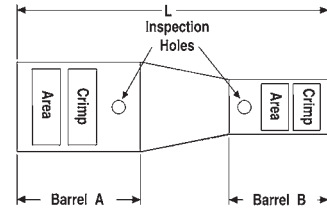
† Provided with 2 heat shrink tubings. One will overlap the other; install the smaller first and larger over it.

* Y46 / PAT46 Series require the PUADP-1 adapter for U-Dies.

TYPE YSR-TC

INSTALLATION TOOLING CHART
Standard Barrel with Inspection Window
(Continued)

Connector with Clear Heat Shrink Kit
Clear heat shrink UL224 VW1 Listed.
Passes TELCORDIA GR-347-CORE Abrasion and Cut Test up to 750 kcmil Class B code cable; contact factory for 750 flex cable applications.



Clear Heat Shrink Kit Catalog Number	Wire Size				Connector				Installation Tooling							
	Barrel A		Barrel B		Color Code		Die Index		Hydraulic Y750, Y35, Y46*, PAT750, PAT46* Series		Hydraulic Y500CHS, PAT500 Series		Mechanical OUR840, MD7-34		Dieless Y644/PAT644 Series, MY29-11, MRC840	
	AWG	mm²	AWG	mm²	Barrel A	Barrel B	Barrel A	Barrel B	Barrel A	Barrel B	Barrel A	Barrel B	Barrel A	Barrel B	Barrel A	Barrel B
YSR32FX29FXLTCKITC	300 kcmil G,H,I,K,M DLO (91/24)	185 mm² Class 2	250 kcmil Flex 4/0 AWG G,H,I,K, DLO (550/24)	120 mm²	Red	Yellow	19 or L80	16	U31RT (2)	U29RT (1)	W31VT (2) W31RT (2)	W29VT (2) W29RT (2) X29RT (4)	W31VT (2)	W29VT (2) X29RT (4)	Y/PAT644 (1)	Y/PAT644 (1)
YSR32FX28FXLTCKITC			4/0 AWG G,H,I,K,M DLO (550/24) 4/0 AWG	120 mm²		Purple		15		U28RT (1)		W28VT (2) W28RT (2) X28RT (3)		W28VT (2) W28RT (2) X28RT (3)		MY29-11 (1) Y/PAT644 (1)
YSR29FX28LTCKITC	250 kcmil Flex 5/0 AWG G,H,I,K,M DLO (550/24)	120 mm²	4/0 AWG Code	-	Yellow	Purple	16	15	U29RT (1)	U28RT (1)	W29VT (2) W29RT (2) X29RT (4)	W28VT (2) W28RT (2) X28RT (3)	W29VT (2) X29RT (4)	W28VT (2) W28RT (2) X28RT (3)	Y/PAT644 (1)	MY29-11 (1) MRC840 (2) Y/PAT644 (1)
YSR29FX25FXLTCKITC			1/0 AWG G,H,I,K,M DLO (275/24) 1/0 AWG	50 mm²		Pink		12		U25RT (1)		W25VT (2) W25RT (2) X25RT (2)		W25VT (2) W25RT (2) X25RT (2)		MY29-11 (1) Y/PAT644 (1)
YSR29FX2CFXLTCKITC			#2 AWG G,H,I,K,M DLO (150/24) #2 AWG	35 mm²		Brown		10		U2CRT (1)		W2CVT (1) W2CRT (1) X2CRT (1)		W2CVT (1) W2CRT (1) X2CRT (1)		Y1MRTC (2) MY29-11 (1) Y/PAT644 (1)
YSR2825FXLTCKITC	4/0 AWG Code	-	1/0 AWG G,H,I,K,M DLO (275/24) 1/0 AWG	50 mm²	Purple	Pink	15	12	U28RT (1)	U25RT (1)	W28VT (2) W28RT (2) X28RT (3)	W25VT (2) W25RT (2) X25RT (2)	W28VT (2) W28RT (2) X28RT (3)	W25VT (2) W25RT (2) X25RT (2)	MY29-11 (1) MRC840 (2) Y/PAT644 (1)	MY29-11 (1) Y/PAT644 (1)
YSR282CFXLTCKITC			#2 AWG G,H,I,K,M DLO (150/24) #2 AWG	35 mm²		Brown		10		U2CRT (1)		W2CVT (1) W2CRT (1) X2CRT (1)		W2CVT (1) W2CRT (1) X2CRT (1)		Y1MRTC (2) MY29-11 (1) Y/PAT644 (1)
YSR284CFXLTCKITC †			#4 AWG G,H,I,K,M DLO (105/24)	-		Gray		8		U4CRT (1)		W4CVT (1) W4CRT (1) X4CRT (1)		W4CVT (1) W4CRT (1) X4CRT (1)		Y1MRTC (2) MY29-11 (1) Y/PAT644 (1)
YSR286CFXLTCKITC †			#6 AWG G,H,I,K,M DLO (61/24) #6 AWG	16 mm²		Blue		7		U5CRT (1)		W5CVT (1) W5CRT (1) X5CRT (1)		W5CVT (1) W5CRT (1) X5CRT (1)		Y1MRTC (1) MY29-11 (1) Y/PAT644 (1)
YSR28FX28LTCKITC	4/0 AWG G,H,I,K,M DLO (550/24) 4/0 AWG	120 mm²	4/0 AWG Code	-	Purple	Purple	15	15	U28RT (1)	U28RT (1)	W28VT (2) W28RT (2) X28RT (3)	W28VT (2) W28RT (2) X28RT (4)	W28VT (2) W28RT (2) X28RT (3)	W28VT (2) W28RT (2) X28RT (4)	MY29-11 (1) MRC840 (2) Y/PAT644 (1)	MY29-11 (1) MRC840 (2) Y/PAT644 (1)
YSR28FX26FXLTCKITC			2/0 AWG G,H,I,K,M DLO (325/24) 2/0 AWG	70 mm² Class 5		Black		13		U26RT (1)		W26VT (2) W26RT (2) X26RT (2)		W26VT (2) W26RT (2) X26RT (2)		MY29-11 (1) Y/PAT644 (1)
YSR28FX25FXLTCKITC			1/0 AWG G,H,I,K,M DLO (275/24) 1/0 AWG	50 mm²		Pink		12		U25RT (1)		W25VT (2) W25RT (2) X25RT (2)		W25VT (2) W25RT (2) X25RT (2)		MY29-11 (1) Y/PAT644 (1)
YSR28FX2CFXLTCKITC	4/0 AWG Flex or Telco Flex	120 mm²	#2 AWG G,H,I,K,M DLO (150/24) #2 AWG	35 mm²	Purple	Brown	15	10	U28RT (1)	U2CRT (1)	W28VT (2) W28RT (2) X28RT (3)	W2CVT (1) W2CRT (1) X2CRT (1)	W28VT (2) W28RT (2) X28RT (3)	W2CVT (1) W2CRT (1) X2CRT (1)	MY29-11 (1) MRC840 (2) Y/PAT644 (1)	Y1MRTC (2) MY29-11 (1) Y/PAT644 (1)
YSR28FX4CFXLTCKITC †			#4 AWG G,H,I,K,M DLO (105/24)	-		Gray		8		U4CRT (1)		W4CVT (1) W4CRT (1) X4CRT (1)		W4CVT (1) W4CRT (1) X4CRT (1)		Y1MRTC (2) MY29-11 (1) Y/PAT644 (1)

† Provided with 2 heat shrink tubings. One will overlap the other; install the smaller first and larger over it.

* Y46 / PAT46 Series require the PUADP-1 adapter for U-Dies.

Compression Connections

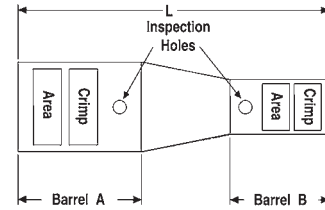
BURNDY®

Copper Compression — Reducing Splice Kit — Code/Flex — Standard Barrel — Inspection Window

TYPE YSR-TC

Connector with Clear Heat Shrink Kit

Clear heat shrink UL224 VW1 Listed.
Passes TELCORDIA GR-347-CORE Abrasion and
Cut Test up to 750 kcmil Class B code cable; contact
factory for 750 flex cable applications.



INSTALLATION TOOLING CHART

Standard Barrel with Inspection Window
(Continued)

C-170

Clear Heat Shrink Kit Catalog Number	Wire Size				Connector				Installation Tooling													
	Barrel A		Barrel B		Color Code		Die Index		Hydraulic Y750, Y35, Y46*, PAT750, PAT46* Series		Hydraulic Y500CTS, PAT500 Series		Mechanical OUR840, MD7-34		Dieless Y644/PAT644 Series, MY29-11, MRC840							
	AWG	mm ²	AWG	mm ²	Barrel A	Barrel B	Barrel A	Barrel B	Barrel A	Barrel B	Barrel A	Barrel B	Barrel A	Barrel B	Barrel A	Barrel B						
YSR26FX25FXLTCKITC	2/0 AWG G,H,I,K,M DLO (325/24) 2/0 AWG	70 mm ²	1/0 AWG G,H,I,K,M DLO (275/24) 1/0 AWG	50 mm ²	Black	Pink	12	U2SRT (1)	U2SRT (1)	W26VT (2) W26RT (2) X26RT (2)	W25VT (2) W25RT (2) X25RT (2)	W26VT (2) W26RT (2) X26RT (2)	W25VT (2) W25RT (2) X25RT (2)	MY29-11 (1) Y/PAT644 (1)	MY29-11 (1) Y/PAT644 (1)							
YSR26FX2CFXLTCKITC			#2 AWG G,H,I,K,M DLO (150/24) #2 AWG	35 mm ²		Brown	13									U2CRT (1)	W26VT (1) W26RT (1) X26RT (1)	W25VT (1) W25RT (1) X25RT (1)	W26VT (1) W26RT (1) X26RT (1)	W25VT (1) W25RT (1) X25RT (1)	MY29-11 (1) Y/PAT644 (1)	MY29-11 (1) Y/PAT644 (1)
YSR26FX4CFXLTCKITC †			#4 AWG G,H,I,K,M DLO (105/24)	-		Gray	8									U4CRT (1)	W44CVT (1) W44CRT (1) X44CRT (1)	W44CVT (1) W44CRT (1) X44CRT (1)	W44CVT (1) W44CRT (1) X44CRT (1)	W44CVT (1) W44CRT (1) X44CRT (1)	Y1MRCT (2) MY29-11 (1) Y/PAT644 (1)	Y1MRCT (2) MY29-11 (1) Y/PAT644 (1)
YSR26FX6CFXLTCKITC †			#6 AWG G,H,I,K,M DLO (61/24) #6 AWG	16 mm ²		Blue	7									U5CRT (1)	W55CVT (1) W55CRT (1) X55CRT (1)	W55CVT (1) W55CRT (1) X55CRT (1)	W55CVT (1) W55CRT (1) X55CRT (1)	W55CVT (1) W55CRT (1) X55CRT (1)	Y1MRCT (1) MY29-11 (1) Y/PAT644 (1)	Y1MRCT (1) MY29-11 (1) Y/PAT644 (1)
YSR25FX2CFXLTCKITC	1/0 AWG G,H,I,K,M DLO (275/24) 1/0 AWG	50 mm ²	#2 AWG G,H,I,K,M DLO (150/24) #2 AWG	35 mm ²	Pink	Brown	10	U2SRT (1)	U2CRT (1)	W25VT (2) W25RT (2) X25RT (2)	W25VT (1) W25RT (1) X25RT (1)	W25VT (2) W25RT (2) X25RT (2)	W25VT (1) W25RT (1) X25RT (1)	MY29-11 (1) Y/PAT644 (1)	MY29-11 (1) Y/PAT644 (1)							
YSR25FX4CFXLTCKITC †			#4 AWG G,H,I,K,M DLO (105/24)	-		Gray	8									U4CRT (1)	W44CVT (1) W44CRT (1) X44CRT (1)	W44CVT (1) W44CRT (1) X44CRT (1)	W44CVT (1) W44CRT (1) X44CRT (1)	Y1MRCT (2) MY29-11 (1) Y/PAT644 (1)	Y1MRCT (2) MY29-11 (1) Y/PAT644 (1)	
YSR25FX6CFXLTCKITC †			#6 AWG G,H,I,K,M DLO (61/24) #6 AWG	16 mm ²		Blue	7									U5CRT (1)	W55CVT (1) W55CRT (1) X55CRT (1)	W55CVT (1) W55CRT (1) X55CRT (1)	W55CVT (1) W55CRT (1) X55CRT (1)	Y1MRCT (1) MY29-11 (1) Y/PAT644 (1)	Y1MRCT (1) MY29-11 (1) Y/PAT644 (1)	
YSR25FX8CFXLTCKITC †			#8 AWG G,H,I,K,M DLO (37/24) #8 AWG #6 Sol #8 Sol	10 mm ² Str-Flex		Red	-									U8CRT (1)	W88CVT (1) W88CRT (1) X88CRT (1)	W88CVT (1) W88CRT (1) X88CRT (1)	W88CVT (1) W88CRT (1) X88CRT (1)	Y8MRB-1 (1) Y1MRCT (1) MY29-3 (1) MY29-11 (1)	Y8MRB-1 (1) Y1MRCT (1) MY29-3 (1) MY29-11 (1)	
YSR2CFX4CFXLTCKITC	#2 AWG G,H,I,K,M DLO (150/24) #2 AWG	35 mm ²	#4 AWG G,H,I,K,M DLO (105/24)	-	Brown	Gray	8	U2CRT (1)	U4CRT (1)	W44CVT (1) W44CRT (1) X44CRT (1)	W44CVT (1) W44CRT (1) X44CRT (1)	W44CVT (1) W44CRT (1) X44CRT (1)	W44CVT (1) W44CRT (1) X44CRT (1)	Y1MRCT (2) MY29-11 (1) Y/PAT644 (1)	Y1MRCT (2) MY29-11 (1) Y/PAT644 (1)							
YSR2CFX6CFXLTCKITC			#6 AWG G,H,I,K,M DLO (61/24) #6 AWG	16 mm ²		Blue	7									U5CRT (1)	W55CVT (1) W55CRT (1) X55CRT (1)	W55CVT (1) W55CRT (1) X55CRT (1)	W55CVT (1) W55CRT (1) X55CRT (1)	Y1MRCT (2) MY29-11 (1) Y/PAT644 (1)	Y1MRCT (2) MY29-11 (1) Y/PAT644 (1)	
YSR2CFX8CFXLTCKITC			#8 AWG G,H,I,K,M DLO (37/24) #8 AWG #6 Sol #8 Sol	10 mm ²		Red	49									U8CRT (1)	W88CVT (1) W88CRT (1) X88CRT (1)	W88CVT (1) W88CRT (1) X88CRT (1)	W88CVT (1) W88CRT (1) X88CRT (1)	Y8MRB-1 (2) Y1MRCT (2) MY29-3 (1) MY29-11 (1)	Y8MRB-1 (2) Y1MRCT (2) MY29-3 (1) MY29-11 (1)	
YSR4CFX6CFXLTCKITC	#4 AWG G,H,I,K,M DLO (105/24) #4 AWG	-	#6 AWG G,H,I,K,M DLO (61/24) #6 AWG	16 mm ²	Gray	Blue	8	7	U4CRT (1)	U5CRT (1)	W44CVT (1) W44CRT (1) X44CRT (1)	W55CVT (1) W55CRT (1) X55CRT (1)	W44CVT (1) W44CRT (1) X44CRT (1)	W55CVT (1) W55CRT (1) X55CRT (1)	Y1MRCT (2) MY29-11 (1) Y/PAT644 (1)	Y1MRCT (1) MY29-11 (1) Y/PAT644 (1)						
YSR4CFX8CFXLTCKITC			#8 AWG G,H,I,K,M DLO (37/24) #8 AWG #6 Sol #8 Sol	10 mm ²		Red	49	U8CRT (1)	W88CVT (1) W88CRT (1) X88CRT (1)	W88CVT (1) W88CRT (1) X88CRT (1)	W88CVT (1) W88CRT (1) X88CRT (1)	W44CVT (1) W44CRT (1) X44CRT (1)	W55CVT (1) W55CRT (1) X55CRT (1)	W44CVT (1) W44CRT (1) X44CRT (1)	W55CVT (1) W55CRT (1) X55CRT (1)	Y1MRCT (2) MY29-11 (1) Y/PAT644 (1)	Y8MRB-1 (1) Y1MRCT (1) MY29-3 (1) MY29-11 (1)					
YSR4CFX10CLTCKITC			#14-#10 AWG I,K,M DLO (27/24)	6 mm ² Str. or 2.5 mm ² Flex		-	-	-	-	-	-	U4CRT (1)	W44CVT (1) W44CRT (1) X44CRT (1)	W44CVT (1) W44CRT (1) X44CRT (1)	W44CVT (1) W44CRT (1) X44CRT (1)	W44CVT (1) W44CRT (1) X44CRT (1)	Y8MRB-1 (2) MRC98 (2) Y10D (2)	Y8MRB-1 (2) MRC98 (2) Y10D (2)				

† Provided with 2 heat shrink tubings. One will overlap the other; install the smaller first and larger over it.

* Y46 / PAT46 Series require the PUADP-1 adapter for U-Dies.

TYPE YSR-TC

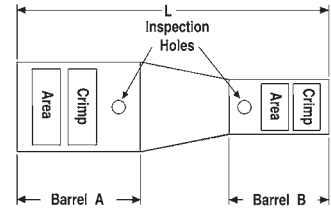
INSTALLATION TOOLING CHART

Standard Barrel with Inspection Window

(Continued)

Connector with Clear Heat Shrink Kit

Clear heat shrink UL224 VW1 Listed.
 Passes TELCORDIA GR-347-CORE Abrasion and
 Cut Test up to 750 kcmil Class B code cable; contact
 factory for 750 flex cable applications.



C-171

Clear Heat Shrink Kit Catalog Number	Wire Size				Connector				Installation Tooling																			
	Barrel A		Barrel B		Color Code		Die Index		Hydraulic Y750, Y35, Y46*, PAT750, PAT46* Series		Hydraulic Y500CHS, PAT500 Series		Mechanical OUR840, MD7-34		Dieless Y644 / PAT644 Series, MY29-11, MRC840													
	AWG	mm ²	AWG	mm ²	Barrel A	Barrel B	Barrel A	Barrel B	Barrel A	Barrel B	Barrel A	Barrel B	Barrel A	Barrel B	Barrel A	Barrel B												
YSR6CFX8CFXLTKITC	#6 AWG G,H,I,K,M DLO (61/24) #6 AWG	16 mm ²	#8 AWG G,H,I,K,M DLO (37/24) #8 AWG #6 Sol #8 Sol	10 mm ²	Red	—	49	—	U8CRT (1)	—	W8CVT (1) W8CRT (1) X8CRT (1)	—	W8CVT (1) W8CRT (1) X8CRT (1)	—	Y1MRTC (1) MY29-3 (1) MY29-11 (1)	Y8MRB-1 (1) Y1MRTC (1) MY29-3 (1) MY29-11 (1)												
YSR6CFX10CLTKITC			#14 - #10 AWG I,K,M DLO (27/24)	6 mm ² Str. or 2.5 mm ² Flex													Blue	—	7	—	U5CRT (1)	—	W5CVT (1) W5CRT (1) X5CRT (1)	—	W5CVT (1) X5CRT (1) X5CRT (1)	—	Y1MRTC (1) MY29-11 (1) Y/PAT644 (1)	Y8MRB-1 (2) MRG98 (2) Y10D (2)
YSR6CFX14CLTKITC			#14 - #10 AWG I,K,M DLO (27/24)	6 mm ² Str. or 2.5 mm ² Flex																								
YSR8CFX10CLTKITC	#8 AWG G,H,I,K,M DLO (37/24) #8 AWG #6 Sol #8 Sol	10 mm ²	#14 - #10 AWG I,K,M DLO (27/24)	6 mm ² Str. or 2.5 mm ² Flex	Red	—	49	—	U8CRT (1)	—	W8CVT (1) W8CRT (1) X8CRT (1)	—	W8CVT (1) W8CRT (1) X8CRT (1)	—	Y8MRB-1 (1) Y1MRTC (1) MY29-3 (1) MY29-11 (1)	Y8MRB-1 (2) MRG98 (2) Y10D (2)												
YSR8CFX14CLTKITC			#14 - #10 AWG I,K,M DLO (27/24)	6 mm ² Str. or 2.5 mm ² Flex													—	—	—	—	—	—	—	—	—	—	—	Y8MRB-1 (2) MRG98 (2) Y10D (2)
YSR10CFX12CLTKITC	#10 - #14 AWG I,K,M DLO (27/24)	6 mm ² Str. or 2.5 mm ² Flex	#14 - #10 AWG I,K,M #12 AWG Sol #10 AWG Sol DLO (27/24)	6 mm ² Str. or 2.5 mm ² Flex	—	—	—	—	—	—	—	—	—	—	Y8MRB-1 (2) MRG98 (2) Y10D (2)	Y8MRB-1 (2) MRG98 (2) Y10D (2)												
YSR10CFX14CLTKITC			#14 - #10 AWG I,K,M DLO (27/24)	6 mm ² Str. or 2.5 mm ² Flex													—	—	—	—	—	—	—	—	—	—	—	Y8MRB-1 (2) MRG98 (2) Y10D (2)

† Provided with 2 heat shrink tubings. One will overlap the other; install the smaller first and larger over it.

* Y46 / PAT46 Series require the PUADP-1 adapter for U-Dies.

TYPE YSR-TC

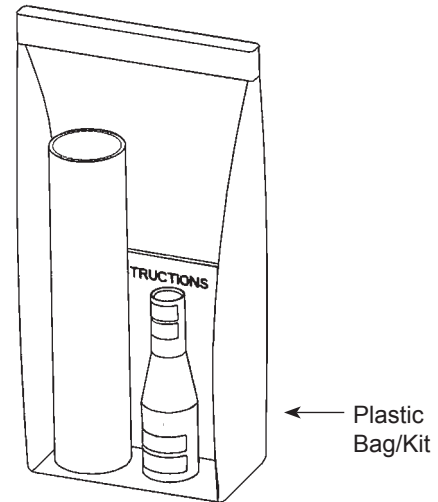
HYREDUCER™

C-172

In-Line Reducer Splice Kits

Standard Barrel without Inspection Window

YSR-TC reducing splice kits provide for splicing two different cable sizes with inspection holes. The larger conductor is inserted first and butts against the center of the connector where the smaller barrel begins. Constructed from seamless, high conductivity electrolytic copper tubing for maximum conductivity and tin plated to resist corrosion. The YSR-TC family also features the BURNDY® color code system.

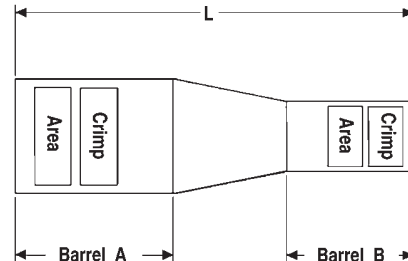


Features & Benefits

- Each splice kit includes one YSR-TC compression in-line splice reducer connector and heat shrink
- The YSR-TC in-line compression splice reducer connector provided in the kit is UL Listed in accordance with UL 486A-486B - Wire Connectors; UL Listed 90°C up to 35kV
- No inspection window for more corrosive environments as the barrel transition is not open
- Designed configurations allow for Copper Code-to-Code wire connections, Copper Code-to-Flex wire connections, and Copper Flex-to-Flex wire connections; see table for more complete details
- Barrel is designed with a taper to accommodate a main run wire that is reduced to a smaller tap wire
- Barrel also provided with an internal chamfer at the wire entry to ensure smooth insertion of the wire, preventing possible damaging of the wire strands during insertion
- Electro-tin plated unless otherwise specified to reduce galvanic corrosion (bimetallic) and resist corrosive elements
- Short/Standard length barrel is recommended for installations with limited space requirements and meet the exact UL testing requirements as long barrel connectors so performance of the connection is not compromised
- Connectors are clearly marked with color coding
- Can be used in place of H-taps; the in-line design saves space in cable trays and other similar applications

Connector with Clear Heat Shrink Kit

Clear heat shrink UL224 VW1 Listed. Passes TELCORDIA GR-347-CORE Abrasion and Cut Test up to 750 kcmil Class B code cable; contact factory for 750 flex cable applications.



TYPE YSR-TC

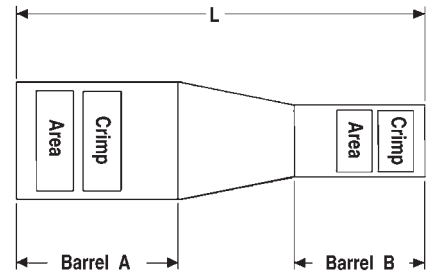
HYREDUCER™

In-Line Reducer Splice Kits

Standard Barrel without Inspection Window
(Continued)

Connector with Clear Heat Shrink Kit

Clear heat shrink UL224 VW1 Listed.
Passes TELCORDIA GR-347-CORE Abrasion and Cut Test up to 750 kcmil Class B code cable; contact factory for 750 flex cable applications.



C-173

Clear Heat Shrink Kit Catalog Number	Wire Size				Dimensions				Connector				Wire Strip Length	
	Barrel A		Barrel B		Barrel A	Barrel B	L	Color Code		Die Index		Barrel A	Barrel B	
	AWG	mm ²	AWG	mm ²				Barrel A	Barrel B	Barrel A	Barrel B			
YSR44FX38FXLKITC	750 kcmil G,H DLO 777 (1925/24)	500 mm ² Class 5	500 kcmil H,I,K 550 kcmil G,H,I DLO 535 (325/24)	300 mm ²	2.09	1.69	4.61	Yellow	Pink	L115	L99	1.96	1.77	
YSR44FX34FXLKITC			350 kcmil G,H,I,K,M DLO 373 (925/24)	240 mm ²	2.09	1.69	4.91		Blue		19 or L80	1.60		
YSR44FX29FXLKITC †			250 kcmil Flex 4/0 AWG G,H,I,K,M DLO (550/24)	-	2.09	1.44	5.33		Yellow		16	1.38		
YSR3938FXLKITC	750 kcmil Code	-	500 kcmil H,I,K 550 kcmil G,H,I DLO 535 (325/24)	300 mm ²	1.78	1.88	3.79	Black	Pink	24	L99	1.77	1.77	
YSR3934FXLKITC			350 kcmil G,H,I,K,M DLO 373 (925/24)	240 mm ²	1.78	1.69	4.09		Blue		19 or L80	1.60		
YSR3929FXLKITC			250 kcmil Flex 4/0 AWG G,H,I,K,M DLO (550/24)	-	1.78	1.44	4.51		Yellow		16	1.38		
YSR38FX34FXLKITC	500 kcmil H,I,K 550 kcmil G,H,I DLO 535 (325/24)	300 mm ²	350 kcmil G,H,I,K,M DLO 373 (925/24)	240 mm ²	1.88	1.69	4.06	Pink	Blue	L99	19 or L80	1.77	1.60	
YSR38FX29FXLKITC †			250 kcmil Flex 4/0 AWG G,H,I,K,M DLO (550/24)	-	1.88	1.44	4.48		Yellow		16	1.38		
YSR3434FXLKITC	500 kcmil Code	240 mm ²	350 kcmil G,H,I,K,M DLO 373 (925/24)	240 mm ²	1.69	1.69	3.51	Brown	Blue	20	19 or L80	1.60	1.60	
YSR3429FXLKITC			250 kcmil Flex 4/0 AWG G,H,I,K,M DLO (550/24)	-	1.69	1.44	3.81		Yellow		16	1.38		
YSR34FX29FXLKITC	350 kcmil G,H,I,K,M DLO 373 (925/24)	240 mm ²	250 kcmil Flex 4/0 AWG G,H,I,K,M DLO (550/24)	-	1.69	1.44	3.81	Blue	Yellow	19 or L80	16	1.60	1.38	
YSR3129FXLKITC	350 kcmil Code	185 mm ²	250 kcmil Flex 4/0 AWG G,H,I,K,M DLO (550/24)	-	1.49	1.44	3.13	Red	Yellow	18	16	2.34	2.29	

† Provided with 2 heat shrink tubings. One will overlap the other; install the smaller first and larger over it.

Separate Installation Tooling Chart follows.

Compression Connections

BURNDY®

Copper Compression — Reducing Splice Kit — Code/Flex — Standard Barrel — No Inspection Window

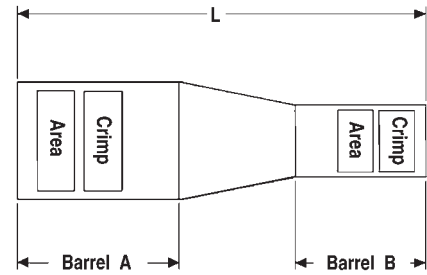
TYPE YSR-TC

INSTALLATION TOOLING CHART

Standard Barrel without Inspection Window
(Continued)

Connector with Clear Heat Shrink Kit

Clear heat shrink UL224 VW1 Listed.
Passes TELCORDIA GR-347-CORE Abrasion and Cut Test up to 750 kcmil Class B code cable; contact factory for 750 flex cable applications.



C-174

Clear Heat Shrink Kit Catalog Number	Wire Size				Connector				Installation Tooling											
	Barrel A		Barrel B		Color Code		Die Index		Hydraulic		Hydraulic		Mechanical		Dieless					
	Y750, Y35, Y46*, PAT750, PAT46* Series		Y500CTHS, PAT500 Series		OUR840, MD7-34		Y/PAT644 Series		Barrel A	Barrel B	Barrel A	Barrel B	Barrel A	Barrel B	Barrel A	Barrel B				
	AWG	mm ²	AWG	mm ²	Barrel A	Barrel B	Barrel A	Barrel B									Barrel A	Barrel B	Barrel A	Barrel B
YSR44FX38FXLKITC	750 kcmil G,H DLO 777 (1925/24)	500 mm ² Class 5	500 kcmil H,I,K 550 kcmil G,H,I DLO 535 (325/24)	300 mm ²	Yellow	Pink	L115	19 or L80	U44XRT (2) +P44XRT (2)	U34RT (2)	-	W34VT (2) W34RT (2)	-	W34VT (2)	-	Y/PAT644 (1)				
YSR44FX34FXLKITC			350 kcmil G,H,I,K,M DLO 373 (925/24)	240 mm ²		Blue											16	U29RT (2)	W29VT (2) W29RT (2) X29RT (4)	W29VT (2) X29RT (4)
YSR44FX29FXLKITC †			250 kcmil Flex 4/0 AWG G,H,I,K,M DLO (550/24)	-		Yellow											16	U29RT (2)	W29VT (2) W29RT (2) X29RT (4)	W29VT (2) X29RT (4)
YSR3938FXLKITC	750 kcmil Code	-	500 kcmil H,I,K 550 kcmil G,H,I DLO 535 (325/24)	300 mm ²	Black	Pink	24	19 or L80	U39RT (2) P39RT (2)	U38XRT (2)	-	W32VT (2) W32RT (2)	-	W32VT (2)	-	Y/PAT644 (1)				
YSR3934FXLKITC			350 kcmil G,H,I,K,M DLO 373 (925/24)	240 mm ²		Blue											16	U29RT (2)	W29VT (2) W29RT (2) X29RT (4)	W29VT (2) X29RT (4)
YSR3929FXLKITC			250 kcmil Flex 4/0 AWG G,H,I,K,M DLO (550/24)	-		Yellow											16	U29RT (2)	W29VT (2) W29RT (2) X29RT (4)	W29VT (2) X29RT (4)
YSR38FX34FXLKITC	500 kcmil H,I,K 550 kcmil G,H,I DLO 535 (325/24)	300 mm ²	350 kcmil G,H,I,K,M DLO 373 (925/24)	240 mm ²	Pink	Blue	L99	19 or L80	U38XRT (2)	U32RT (2)	-	W32VT (2) W32RT (2)	-	W32VT (2)	-	Y/PAT644 (1)				
YSR38FX29FXLKITC †			250 kcmil Flex 4/0 AWG G,H,I,K,M DLO (550/24)	-		Yellow											16	U29RT (2)	W29VT (2) W29RT (2) X29RT (4)	W29VT (2) X29RT (4)

† Provided with 2 heat shrink tubings. One will overlap the other; install the smaller first and larger over it.

* Y46 / PAT46 Series require the PUADP-1 adapter for U-Dies.

• P-RT for use in Y46 / PAT 46 Series tools only.

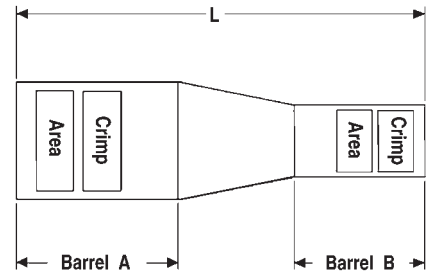
TYPE YSR-TC

INSTALLATION TOOLING CHART

Standard Barrel without Inspection Window
(Continued)

Connector with Clear Heat Shrink Kit

Clear heat shrink UL224 VW1 Listed.
Passes TELCORDIA GR-347-CORE Abrasion and Cut Test up to 750 kcmil Class B code cable; contact factory for 750 flex cable applications.



C-175

Clear Heat Shrink Kit Catalog Number	Wire Size				Connector				Installation Tooling							
	Barrel A		Barrel B		Color Code		Die Index		Hydraulic		Hydraulic		Mechanical		Dieless	
	Y750, Y35, Y46*, PAT750, PAT46* Series		Y500CTHS, PAT500 Series		OUR840, MD7-34		Y/PAT644 Series									
	AWG	mm²	AWG	mm²	Barrel A	Barrel B	Barrel A	Barrel B	Barrel A	Barrel B	Barrel A	Barrel B	Barrel A	Barrel B	Barrel A	Barrel B
YSR3434FXLKITC			350 kcmil G,H,I,K,M DLO 373 (925/24)	240 mm²		Blue		19 or L80		U32RT (2)		W32VT (2) W32RT (2)		W32VT (2)		
YSR3429FXLKITC	500 kcmil Code	240 mm²	250 kcmil Flex 4/0 AWG G,H,I,K,M DLO (550/24)	-	Brown		20		U34RT (2) U31ART (2)	U29RT (2)	W34VT (2) W34RT (2)	W29VT (2) W29RT (2) X29RT (4)	W34VT (2)	W29VT (2) X29RT (4)	Y/PAT644 (1)	
YSR34FX29FXLKITC	350 kcmil G,H,I,K,M DLO 373 (925/24)	240 mm²	250 kcmil Flex 4/0 AWG G,H,I,K,M DLO (550/24)	-	Blue	Yellow	19 or L80	16	U32RT (2)	U29RT (2)	W32VT (2) W32RT (2)	W29VT (2) W29RT (2) X29RT (4)	W32VT (2)	W29VT (2) X29RT (4)	Y/PAT644 (1)	
YSR3129FXLKITC	350 kcmil Code	185 mm²	250 kcmil Flex 4/0 AWG G,H,I,K,M DLO (550/24)	-	Red	Yellow	18	16	U31RT (2)	U29RT (2)	W31VT (2) W31RT (2)	W29VT (2) W29RT (2) X29RT (4)	W31VT (2)	W29RT (2) X29RT (4)	Y/PAT644 (1)	

† Provided with 2 heat shrink tubings. One will overlap the other; install the smaller first and larger over it.

* Y46 / PAT46 Series require the PUADP-1 adapter for U-Dies.

TYPE YSR-TC

HYREDUCER™

C-176

In-Line Reducer Splice Kits for Telecommunications Applications

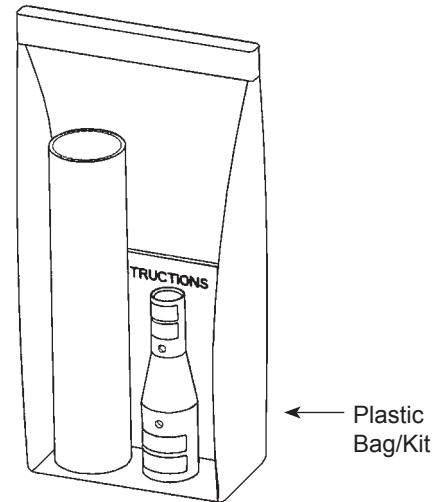
Long Barrel with Inspection Window

YSR-TC reducing splice kits provide for splicing two different cable sizes with inspection holes. The larger conductor is inserted first and butts against the center of the connector where the smaller barrel begins. Constructed from seamless, high conductivity electrolytic copper tubing for maximum conductivity and tin plated to resist corrosion. The

YSR-TC family also features the BURNDY® color code system.

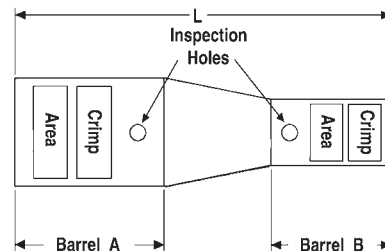
Features & Benefits

- Each splice kit includes one YSR-TC compression in-line splice reducer connector and heat shrink
- The YSR-TC in-line compression splice reducer connector provided in the kit is UL Listed in accordance with UL 486A-486B - Wire Connectors; UL Listed 90°C up to 35kV
- Barrels have 2 inspection windows on each side to allow for visual verification that the wire has been fully inserted prior to crimping the splice
- Designed configurations allow for Copper Code-to-Code wire connections, Copper Code-to-Flex wire connections, and Copper Flex-to-Flex wire connections; see table for more complete details
- Barrel is designed with a taper to accommodate a main run wire that is reduced to a smaller tap wire
- Barrel also provided with an internal chamfer at the wire entry to ensure smooth insertion of the wire, preventing possible damaging of the wire strands during insertion
- Electro-tin plated unless otherwise specified to reduce galvanic corrosion (bimetallic) and resist corrosive elements
- Long barrel allows for an increased number of crimps which will increase the mechanical strength of the connection
- Connectors are clearly marked with color coding
- Can be used in place of H-taps; the in-line design saves space in cable trays and other similar applications



Connector with Clear Heat Shrink Kit

Clear heat shrink UL224 VW1 Listed. Passes TELCORDIA GR-347-CORE Abrasion and Cut Test up to 750 kcmil Class B code cable; contact factory for 750 flex cable applications.



TYPE YSR-TC

HYREDUCER™

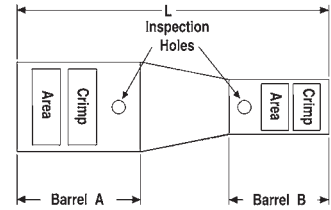
In-Line Reducer Splice Kits for
Telecommunications Applications

Long Barrel with Inspection Window

(Continued)

Connector with Clear Heat Shrink Kit

Clear heat shrink UL224 VW1 Listed.
Passes TELCORDIA GR-347-CORE Abrasion and
Cut Test up to 750 kcmil Class B code cable; contact
factory for 750 flex cable applications.



C-177

Clear Heat Shrink Kit Catalog Number	Wire Size				Connector								Wire Strip Length	
	Barrel A		Barrel B		Dimensions			Color Code		Die Index		Barrel A	Barrel B	
	AWG	mm ²	AWG	mm ²	Barrel A	Barrel B	L	Barrel A	Barrel B	Barrel A	Barrel B			
YSR44FX39TCKITC	750 kcmil G,H DLO 777 (1925/24)	500 mm ² Class 5	750 kcmil Code	-	3.35	2.82	6.69	Yellow	Black	L115	24	3.09	2.71	
YSR44FX34TCKITC			500 kcmil Code	240 mm ²	3.35	2.75	7.23		Brown		20		2.66	
YSR44FX31TCKITC			350 kcmil Code	185 mm ²	3.35	2.51	7.47		Red		18		2.42	
YSR3931TCKITC	750 kcmil Code	-	350 kcmil Code	185 mm ²	2.82	2.51	6.43	Black	Red	24	18	2.71	2.42	
YSR3928TCKITC †			4/0 AWG Code	-	2.82	2.11	6.51		Purple		15		2.05	
YSR38FX31TCKITC	500 kcmil H,I,K 550 kcmil G,H,I DLO 535 (325/24)	300 mm ²	350 kcmil Code	185 mm ²	3.03	2.51	6.51	Pink	Red	L99	18	2.93	2.47	
YSR38FX28TCKITC			4/0 AWG Code	-	3.03	2.11	6.59		Purple		15		2.05	
YSR3431TCKITC	500 kcmil Code	240 mm ²	350 kcmil Code	185 mm ²	2.75	2.51	5.74	Brown	Red	20	18	2.67	2.42	
YSR3428TCKITC			4/0 AWG Code	-	2.75	2.11	5.82		Purple		15		2.05	
YSR3425FXTCKITC			1/0 AWG G,H,I,K,M DLO (275/24) 1/0 AWG	50 mm ²	2.75	1.66	5.69		Pink		12		1.68	
YSR34FX28TCKITC	350 kcmil G,H,I,K,M DLO 373 (925/24)	240 mm ²	4/0 AWG Code	-	2.75	2.11	5.82	Blue	Purple	19 or L80	15	2.67	2.05	
YSR34FX28FXTCKITC			4/0 AWG G,H,I,K,M DLO (550/24) 4/0 AWG	-	2.75	2.34	5.83		Purple		15		2.27	
YSR34FX25FXTCKITC			1/0 AWG G,H,I,K,M DLO (275/24) 1/0 AWG	50 mm ²	2.75	1.66	5.69		Pink		12		1.61	
YSR3128TCKITC	350 kcmil Code	185 mm ²	4/0 AWG Code	-	2.51	2.11	5.10	Red	Purple	18	15	2.42	2.05	
YSR3125FXTCKITC			1/0 AWG G,H,I,K,M DLO (275/24) 1/0 AWG	50 mm ²	2.51	1.66	4.97		Pink		12		1.61	
YSR312CFXTCKITC			#2 AWG G,H,I,K,M DLO (150/24) #2 AWG	35 mm ²	2.51	1.33	4.91		Brown		10		1.29	

† Provided with 2 heat shrink tubings. One will overlap the other; install the smaller first and larger over it. Separate Installation Tooling Chart follows.

Compression Connections

BURNDY®

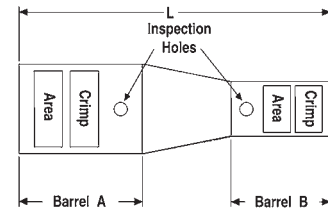
Copper Compression — Reducing Splice Kit — Code/Flex — Long Barrel — Inspection Window

TYPE YSR-TC

HYREDUCER™

Connector with Clear Heat Shrink Kit

Clear heat shrink UL224 VW1 Listed.
Passes TELCORDIA GR-347-CORE Abrasion and Cut Test up to 750 kcmil Class B code cable; contact factory for 750 flex cable applications.



C-178

In-Line Reducer Splice Kits for Telecommunications Applications

Long Barrel with Inspection Window

(Continued)

Clear Heat Shrink Kit Catalog Number	Wire Size				Connector								Wire Strip Length	
	Barrel A		Barrel B		Dimensions			Color Code		Die Index		Barrel A	Barrel B	
	AWG	mm ²	AWG	mm ²	Barrel A	Barrel B	L	Barrel A	Barrel B	Barrel A	Barrel B			
YSR32FX29FXTCKITC	300 kcmil G,H,I,K,M DLO 313 (775/24)	185 mm ² Class 2	250 kcmil Flex 4/0 AWG G,H,I,K,M DLO (550/24)	-	2.48	2.34	5.30	Red	Yellow	19 or L80	16	2.40	2.27	
YSR32FX28FXTCKITC			4/0 AWG G,H,I,K,M DLO (550/24) 4/0 AWG	120 mm ²	2.48	2.34	5.28		Purple		15		2.27	
YSR29FX25FXTCKITC	250 kcmil Flex 4/0 AWG G,H,I,K,M DLO (550/24)	-	1/0 AWG G,H,I,K,M DLO (275/24) 1/0 AWG	50 mm ²	2.36	1.66	4.63	Yellow	Pink	16	12	2.29	1.61	
YSR29FX2CFXTCKITC			#2 AWG G,H,I,K,M DLO (150/24) #2 AWG	35 mm ²	2.36	1.33	4.56		Brown		10		1.29	
YSR2825FXTCKITC	4/0 AWG Code	-	1/0 AWG G,H,I,K,M DLO (275/24) 1/0 AWG	50 mm ²	2.11	1.66	4.09	Purple	Pink	15	12	2.06	1.61	
YSR282CFXTCKITC			#2 AWG G,H,I,K,M DLO (150/24) #2 AWG	35 mm ²	2.11	1.33	4.03		Brown		10		1.29	
YSR286CFXTCKITC †			#6 AWG G,H,I,K,M DLO (61/24) #6 AWG	16 mm ²	2.11	1.17	4.25		Blue		7		1.15	
YSR26FX6CFXTCKITC †	2/0 AWG G,H,I,K,M DLO (325/24)	70 mm ²	#6 AWG G,H,I,K,M DLO (61/24) #6 AWG	16 mm ²	1.85	1.85	3.86	Black	Blue	13	7	1.80	1.85	
YSR25FX6CFXTCKITC †	1/0 AWG G,H,I,K,M DLO (275/24) 1/0 AWG	50 mm ²	#6 AWG G,H,I,K,M DLO (61/24) #6 AWG	16 mm ²	1.66	1.17	3.48	Pink	Blue	12	7	1.63	1.24	
YSR2CFX6CFXTCKITC	#2 AWG G,H,I,K,M DLO (150/24) #2 AWG	35 mm ²	#6 AWG G,H,I,K,M DLO (61/24) #6 AWG	16 mm ²	1.33	1.17	2.88	Brown	Blue	10	7	1.30	1.24	
YSR4CFX6CFXTCKITC	#4 AWG G,H,I,K,M DLO (105/24) #4 AWG	-	#6 AWG G,H,I,K,M DLO (61/24) #6 AWG	16 mm ²	1.15	1.17	2.49	Gray	Blue	8	7	1.12	1.24	

† Provided with 2 heat shrink tubings. One will overlap the other; install the smaller first and larger over it. Separate Installation Tooling Chart follows.

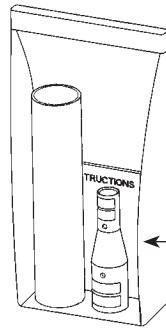
TYPE YSR-TC

INSTALLATION TOOLING CHART

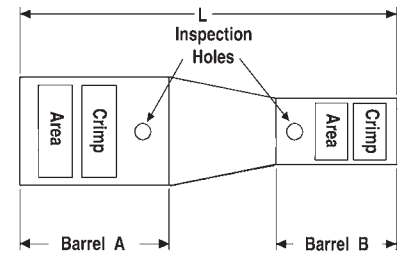
Long Barrel with Inspection Window

Connector with Clear Heat Shrink Kit

Clear heat shrink UL224 VW1 Listed.
 Passes TELCORDIA GR-347-CORE Abrasion
 and Cut Test up to 750 kcmil Class B code
 cable; contact factory for 750 flex cable
 applications.



Plastic Bag/Kit



C-179

Clear Heat Shrink Kit Catalog Number	Wire Size				Connector				Installation Tooling							
	Barrel A		Barrel B		Color Code		Die Index		Hydraulic		Hydraulic		Mechanical		Dieless	
	AWG	mm ²	AWG	mm ²	Barrel A	Barrel B	Barrel A	Barrel B	Y750, Y35, Y46*, PAT750, PAT46* Series	Y300CTHS, PAT500 Series	Y300CTHS, PAT500 Series	Y300CTHS, PAT500 Series	OUR840, MD7-34	OUR840, MD7-34	Y644 / PAT644 Series, MY29-11, MRC840	Y644 / PAT644 Series, MY29-11, MRC840
									Barrel A	Barrel B	Barrel A	Barrel B	Barrel A	Barrel B	Barrel A	Barrel B
YSR44FX39TCKITC	750 kcmil G,H DLO 777 (1925/24)	500 mm ² Class 5	750 kcmil Code	-	Yellow	Black	L115	24	U44XRT (4)	U39RT (4) P39RT (4)	-	-	-	-	-	Y/PAT644 (2)
YSR44FX34TCKITC			500 kcmil Code	240 mm ²		Brown		20		U34RT (4)	W34VT (4) W34RT (4)	W34VT (4)	Y/PAT644 (2)	Y/PAT644 (2)		
YSR44FX31TCKITC			350 kcmil Code	185 mm ²		Red		18		U31RT (4)	W31VT (4) W31RT (4)	W31VT (4) W31RT (4)	Y/PAT644 (2)	Y/PAT644 (2)		
YSR3931TCKITC	750 kcmil Code	-	350 kcmil Code	185 mm ²	Black	Red	24	18	U39RT (4) P39RT (4)	U31RT (4)	-	W31VT (4) W31RT (4)	-	W31VT (4)	Y/PAT644 (2)	Y/PAT644 (2)
YSR3928TCKITC †			4/0 AWG Code	-		Purple		15		U28RT (2)	W28VT (4) W28RT (4) X28RT (6)	W28VT (4) W28RT (4) X28RT (6)	MY29-11 (2) MRC840 (4) Y/PAT644 (2)			
YSR38FX31TCKITC	500 kcmil H,J,K 550 kcmil G,H,I DLO 535 (325/24)	300 mm ²	350 kcmil Code	185 mm ²	Pink	Red	L99	18	U38XRT (4)	U31RT (4)	-	W31VT (4) W31RT (4)	-	W31VT (4)	Y/PAT644 (2)	Y/PAT644 (2)
YSR38FX28TCKITC			4/0 AWG Code	-		Purple		15		U28RT (2)	W28VT (4) W28RT (4) X28RT (6)	W28VT (4) W28RT (4) X28RT (6)	MY29-11 (2) MRC840 (4) Y/PAT644 (2)			
YSR3431TCKITC	500 kcmil Code	240 mm ²	350 kcmil Code	185 mm ²	Brown	Red	20	18	U34RT (4) U31ART (4)	U31RT (4)	-	W31VT (4) W31RT (4)	-	W31VT (4)	Y/PAT644 (2)	Y/PAT644 (2)
YSR3428TCKITC			4/0 AWG Code	-		Purple		15		U28RT (2)	W28VT (4) W28RT (4) X28RT (6)	W28VT (4) W28RT (4) X28RT (6)	MY29-11 (2) MRC840 (4) Y/PAT644 (2)			
YSR3425FXTCKITC			1/0 AWG G,H,I,K,M DLO (275/24) 1/0 AWG	50 mm ²		Pink		12		U25RT (2)	W25VT (4) W25RT (4) X25RT (4)	W25VT (4) W25RT (4) X25RT (4)	MY29-11 (2) Y/PAT644 (2)			
YSR34FX28TCKITC	350 kcmil G,H,I,K,M DLO 373 (925/24)	240 mm ²	4/0 AWG Code	-	Blue	Purple	19 or L80	15	U32RT (4)	U28RT (2)	-	W28VT (4) W28RT (4) X28RT (6)	-	W28VT (4) W28RT (4) X28RT (4)	Y/PAT644 (2)	MY29-11 (2) MRC840 (4) Y/PAT644 (2)
YSR34FX28FXTCKITC			4/0 AWG G,H,I,K,M DLO (550/24) 4/0 AWG	-		Purple		15		U28RT (2)	W32VT (4) W32RT (4)	W28VT (4) W28RT (4) X28RT (6)	W32VT (4)	Y/PAT644 (2)	MY29-11 (2) Y/PAT644 (2)	
YSR34FX25FXTCKITC			1/0 AWG G,H,I,K,M DLO (275/24) 1/0 AWG	50 mm ²		Pink		12		U25RT (2) U2CABT (2)	W25VT (4) W25RT (4) X25RT (4)	W25VT (4) W25RT (4) X25RT (4)	MY29-11 (2) Y/PAT644 (2)			

† Provided with 2 heat shrink tubings. One will overlap the other; install the smaller first and larger over it.

* Y46 / PAT46 Series require the PUADP-1 adapter for U-Dies.

Compression Connections

BURNDY®

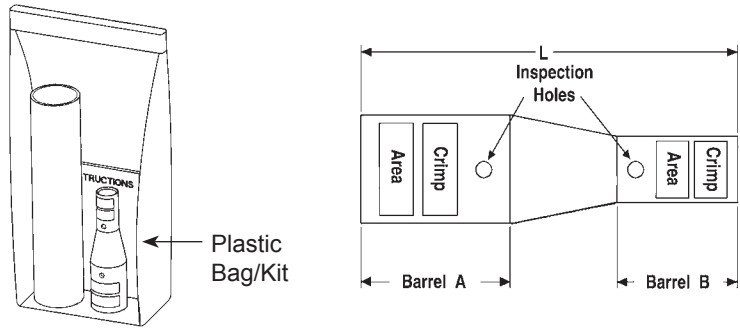
Copper Compression — Reducing Splice Kit — Code/Flex — Long Barrel — Inspection Window

TYPE YSR-TC

INSTALLATION TOOLING CHART

C-180

Long Barrel with Inspection Window
(Continued)



Connector with Clear Heat Shrink Kit
Clear heat shrink UL224 VW1 Listed.
Passes TELCORDIA GR-347-CORE Abrasion
and Cut Test up to 750 kcmil Class B code
cable; contact factory for 750 flex cable
applications.

Clear Heat Shrink Kit Catalog Number	Wire Size				Connector				Installation Tooling							
	Barrel A		Barrel B		Color Code		Die Index		Hydraulic Y750, Y35, Y46*, PAT750, PAT46* Series		Hydraulic Y500CTHS, PAT500 Series		Mechanical OUR840, MD7-34		Dieless Y644/PAT644 Series, MY29-11, MRC840	
	AWG	mm²	AWG	mm²	Barrel A	Barrel B	Barrel A	Barrel B	Barrel A	Barrel B	Barrel A	Barrel B	Barrel A	Barrel B	Barrel A	Barrel B
YSR3128TCKITC			4/0 AWG Code	-	Red	Purple	18	15	U31RT (4)	U28RT (2)	W31VT (4) W31RT (4)	W28VT (4) W28RT (4) X28RT (6)	W31VT (4)	W28VT (4) W28RT (4) X28RT (6)	Y/PAT644 (2)	MY29-11 (2) MRC840 (4) Y/PAT644 (2)
YSR3125FXTCKITC	350 kcmil Code	185 mm²	1/0 AWG G,H,I,K,M DLO (275/24) 1/0 AWG	50 mm²	Red	Pink	18	12	U31RT (4)	U25RT (2)	W31VT (4) W31RT (4)	W25VT (4) W25RT (4) X25RT (4)	W31VT (4)	W25VT (4) W25RT (4) X25RT (4)	Y/PAT644 (2)	MY29-11 (2) Y/PAT644 (2)
YSR312CFXTCKITC			#2 AWG G,H,I,K,M DLO (150/24) #2 AWG	35 mm²	Red	Brown	18	10	U2CRT (2)	U2CRT (2)	W31VT (4) W31RT (4)	W2CVT (2) W2CRT (2) X2CRT (2)	W31VT (4)	W2CVT (2) W2CRT (2) X2CRT (2)	Y/PAT644 (2)	Y1MRTC (4) MY29-11 (2) Y/PAT644 (2)
YSR32FX29FXTCKITC	300 kcmil G,H,I,K,M DLO 313 (775/24)	185 mm² Class 2	250 kcmil Flex 4/0 AWG G,H,I,K,M DLO (550/24)	-	Red	Yellow	19 or L80	16	U31RT (4)	U29RT (4)	W31VT (4) W31RT (4)	W29VT (4) W29RT (4) X29RT (8)	W31VT (4)	W29VT (4) X29RT (8)	Y/PAT644 (2)	Y/PAT644 (2)
YSR32FX28FXTCKITC			4/0 AWG G,H,I,K,M DLO (550/24) 4/0 AWG	120 mm²	Red	Purple	19 or L80	15	U31RT (4)	U28RT (2)	W31VT (4) W31RT (4)	W28VT (4) W28RT (4) X28RT (6)	W31VT (4)	W28VT (4) W28RT (4) X28RT (6)	Y/PAT644 (2)	MY29-11 (2) Y/PAT644 (2)
YSR29FX25FXTCKITC	250 kcmil Flex 4/0 AWG G,H,I,K,M DLO (550/24)	-	1/0 AWG G,H,I,K,M DLO (275/24) 1/0 AWG	50 mm²	Yellow	Pink	16	12	U29RT (4)	U25RT (4)	W29VT (4) W29RT (4) X29RT (8)	W25VT (4) W25RT (4) X25RT (4)	W29VT (4) X29RT (8)	W25VT (4) W25RT (4) X25RT (4)	Y/PAT644 (2)	MY29-11 (2) Y/PAT644 (2)
YSR29FX2CFXTCKITC			#2 AWG G,H,I,K,M DLO (150/24) #2 AWG	35 mm²	Yellow	Brown	16	10	U2CRT (2)	U2CRT (2)	W29VT (4) W29RT (4) X29RT (8)	W2CVT (2) W2CRT (2) X2CRT (2)	W29VT (4) X29RT (8)	W2CVT (2) W2CRT (2) X2CRT (2)	Y/PAT644 (2)	Y1MRTC (4) MY29-11 (2) Y/PAT644 (2)
YSR2825FXTCKITC			1/0 AWG G,H,I,K,M DLO (275/24) 1/0 AWG	50 mm²	Purple	Pink	15	12	U28RT (2)	U25RT (2)	W28VT (4) W28RT (4) X28RT (6)	W25VT (4) W25RT (4) X25RT (4)	W28VT (4) X28RT (6)	W25VT (4) W25RT (4) X25RT (4)	Y/PAT644 (2)	MY29-11 (2) Y/PAT644 (2)
YSR282CFXTCKITC	4/0 AWG Code	-	#2 AWG G,H,I,K,M DLO (150/24) #2 AWG	35 mm²	Purple	Brown	15	10	U28RT (2)	U2CRT (2)	W28VT (4) W28RT (4) X28RT (6)	W2CVT (2) W2CRT (2) X2CRT (2)	W28VT (4) W28RT (4) X28RT (6)	W2CVT (2) W2CRT (2) X2CRT (2)	MY29-11 (2) MRC840 (4) Y/PAT644 (2)	Y1MRTC (4) MY29-11 (2) Y/PAT644 (2)
YSR286CFXTCKITC †			#6 AWG G,H,I,K,M DLO (61/24) #6 AWG	16 mm²	Purple	Blue	15	7	U5CRT (2)	U5CRT (2)	W28VT (4) W28RT (4) X28RT (6)	W5CVT (2) W5CRT (2) X5CRT (2)	W28VT (4) W28RT (4) X28RT (6)	W5CVT (2) W5CRT (2) X5CRT (2)	Y/PAT644 (2)	Y1MRTC (4) MY29-11 (2) Y/PAT644 (2)

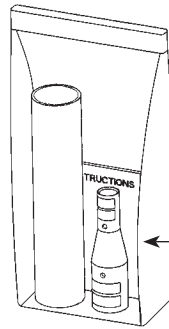
† Provided with 2 heat shrink tubings. One will overlap the other; install the smaller first and larger over it.

TYPE YSR-TC

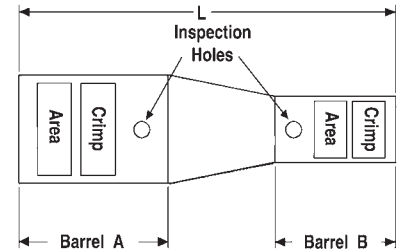
INSTALLATION TOOLING CHART

Long Barrel with Inspection Window
(Continued)

Connector with Clear Heat Shrink Kit
Clear heat shrink UL224 VW1 Listed.
Passes TELCORDIA GR-347-CORE Abrasion
and Cut Test up to 750 kcmil Class B code
cable; contact factory for 750 flex cable
applications.



Plastic Bag/Kit



C-181

Clear Heat Shrink Kit Catalog Number	Wire Size				Connector				Installation Tooling							
	Barrel A		Barrel B		Color Code		Die Index		Hydraulic		Hydraulic		Mechanical		Dieless	
	Y750, Y35, Y46*, PAT750, PAT46* Series		Y500CTHS, PAT500 Series		OUR840, MD7-34		Y644 / PAT644 Series, MY29-11, MRC840		Barrel A	Barrel B	Barrel A	Barrel B	Barrel A	Barrel B	Barrel A	Barrel B
	AWG	mm ²	AWG	mm ²	Barrel A	Barrel B	Barrel A	Barrel B	Barrel A	Barrel B	Barrel A	Barrel B	Barrel A	Barrel B	Barrel A	Barrel B
YSR26FX6CFXTCKITC †	2/0 AWG G,H,I,K,M DLO (325/24)	70 mm ²	#6 AWG G,H,I,K,M DLO (61/24) #6 AWG	16 mm ²	Black	Blue	13	7	U26RT (2)	U5CRT (2)	W26VT (4) W26RT (4) X26RT (4)	W5CVT (2) W5CRT (2) X5CRT (2)	W26VT (4) W26RT (4) X26RT (4)	W5CVT (2) W5CRT (2) X5CRT (2)	MY29-11 (2) Y/PAT644 (2)	Y1MRCT (2) MY29-11 (2) Y/PAT644 (2)
YSR25FX6CFXTCKITC †	1/0 AWG G,H,I,K,M DLO (275/24) 1/0 AWG	50 mm ²	#6 AWG G,H,I,K,M DLO (61/24) #6 AWG	16 mm ²	Pink	Blue	12	7	U25RT (2)	U5CRT (2)	W25VT (4) W25RT (4) X25RT (4)	W5CVT (2) W5CRT (2) X5CRT (2)	W25VT (4) W25RT (4) X25RT (4)	W5CVT (2) W5CRT (2) X5CRT (2)	MY29-11 (2) Y/PAT644 (2)	Y1MRCT (2) MY29-11 (2) Y/PAT644 (2)
YSR2CFX6CFXTCKITC	#2 AWG G,H,I,K,M DLO (150/24) #2 AWG	35 mm ²	#6 AWG G,H,I,K,M DLO (61/24) #6 AWG	16 mm ²	Brown	Blue	10	7	U2CRT (2)	U5CRT (2)	W2CVT (2) W2CRT (2) X2CRT (2)	W5CVT (2) W5CRT (2) X5CRT (2)	W2CVT (2) W2CRT (2) X2CRT (2)	W5CVT (2) W5CRT (2) X5CRT (2)	Y1MRCT (4) MY29-11 (2) Y/PAT644 (2)	Y1MRCT (2) MY29-11 (2) Y/PAT644 (2)
YSR4CFX6CFXTCKITC	#4 AWG G,H,I,K,M DLO (105/24) #4 AWG	-	#6 AWG G,H,I,K,M DLO (61/24) #6 AWG	16 mm ²	Gray	Blue	8	7	U4CRT (2)	U5CRT (2)	W4CVT (2) W4CRT (2) X4CRT (2)	W5CVT (2) W5CRT (2) X5CRT (2)	W4CVT (2) W4CRT (2) X4CRT (2)	W5CVT (2) W5CRT (2) X5CRT (2)	Y1MRCT (4) MY29-11 (2) Y/PAT644 (2)	Y1MRCT (2) MY29-11 (2) Y/PAT644 (2)

† Provided with 2 heat shrink tubings. One will overlap the other; install the smaller first and larger over it.

* Y46 / PAT46 Series require the PUADP-1 adapter for U-Dies.

TYPE YSR-TC

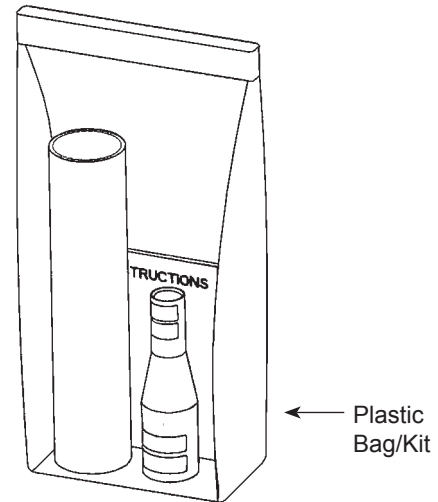
HYREDUCER™

C-182

In-Line Reducer Splice Kits

Long Barrel without Inspection Window

YSR-TC reducing splice kits provide for splicing two different cable sizes with inspection holes. The larger conductor is inserted first and butts against the center of the connector where the smaller barrel begins. Constructed from seamless, high conductivity electrolytic copper tubing for maximum conductivity and tin plated to resist corrosion. The YSR-TC family also features the BURNDY® color code system.

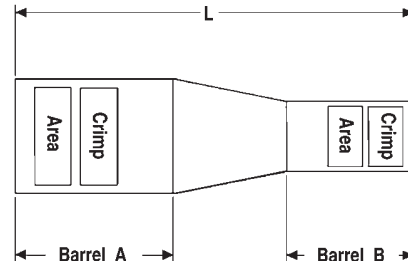


Features & Benefits

- Each splice kit includes one YSR-TC compression in-line splice reducer connector and heat shrink
- The YSR-TC in-line compression splice reducer connector provided in the kit is UL Listed in accordance with UL 486A-486B - Wire Connectors; UL Listed 90°C up to 35kV
- No inspection window for more corrosive environments as the barrel transition is not open
- Designed configurations allow for Copper Code-to-Code wire connections, Copper Code-to-Flex wire connections, and Copper Flex-to-Flex wire connections; see table for more complete details
- Barrel is designed with a taper to accommodate a main run wire that is reduced to a smaller tap wire
- Barrel also provided with an internal chamfer at the wire entry to ensure smooth insertion of the wire, preventing possible damaging of the wire strands during insertion
- Electro-tin plated unless otherwise specified to reduce galvanic corrosion (bimetallic) and resist corrosive elements
- Long barrel allows for an increased number of crimps which will increase the mechanical strength of the connection
- Connectors are clearly marked with color coding
- Can be used in place of H-taps; the in-line design saves space in cable trays and other similar applications

Connector with Clear Heat Shrink Kit

Clear heat shrink UL224 VW1 Listed. Passes TELCORDIA GR-347-CORE Abrasion and Cut Test up to 750 kcmil Class B code cable; contact factory for 750 flex cable applications.



TYPE YSR-TC

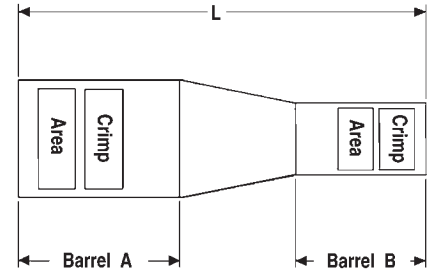
HYREDUCER™

In-Line Reducer Splice Kits

Long Barrel without Inspection Window
(Continued)

Connector with Clear Heat Shrink Kit

Clear heat shrink UL224 VW1 Listed.
Passes TELCORDIA GR-347-CORE Abrasion and Cut Test up to 750 kcmil Class B code cable; contact factory for 750 flex cable applications.



C-183

Clear Heat Shrink Kit Catalog Number	Wire Size				Dimensions			Connector				Wire Strip Length	
	Barrel A		Barrel B		Barrel A	Barrel B	L	Color Code		Die Index		Barrel A	Barrel B
	AWG	mm ²	AWG	mm ²				Barrel A	Barrel B	Barrel A	Barrel B		
YSR44FX38FXKITC	750 kcmil G,H DLO 777 (1925/24)	500 mm ² Class 5	500 kcmil H,I,K 550 kcmil G,H,I DLO 535 (325/24)	300 mm ²	3.22	2.79	6.64	Yellow	Pink	L115	19 or L80	3.09	2.68
YSR44FX34FXKITC			350 kcmil G,H,I,K,M DLO 373 (925/24)	240 mm ²	3.22	2.56	6.91		Blue				2.47
YSR44FX29FXKITC †			350 kcmil Flex 4/0 AWG G,H,I,K,M DLO (550/24)	-	3.22	2.36	7.38		Yellow				16
YSR3938FXKITC	750 kcmil Code	-	500 kcmil H,I,K 550 kcmil G,H,I DLO 535 (325/24)	300 mm ²	2.82	2.79	5.74	Black	Pink	24	19 or L80	2.71	2.68
YSR3934FXKITC			350 kcmil G,H,I,K,M DLO 373 (925/24)	240 mm ²	2.82	2.56	6.00		Blue				2.47
YSR3929FXKITC †			350 kcmil Flex 4/0 AWG G,H,I,K,M DLO (550/24)	-	2.82	2.36	6.47		Yellow				16
YSR38FX34FXKITC	500 kcmil H,I,K 550 kcmil G,H,I DLO 535 (325/24)	300 mm ²	350 kcmil G,H,I,K,M DLO 373 (925/24)	240 mm ²	2.79	2.56	5.83	Pink	Blue	L99	19 or L80	2.68	2.47
YSR38FX29FXKITC			350 kcmil Flex 4/0 AWG G,H,I,K,M DLO (550/24)	-	2.79	2.36	6.30		Yellow				16
YSR3434FXKITC	500 kcmil Code	240 mm ²	350 kcmil G,H,I,K,M DLO 373 (925/24)	240 mm ²	2.56	2.56	5.12	Brown	Blue	20	19 or L80	2.47	2.47
YSR3429FXKITC			350 kcmil Flex 4/0 AWG G,H,I,K,M DLO (550/24)	-	2.56	2.36	5.59		Yellow				16
YSR34FX29FXKITC	350 kcmil G,H,I,K,M DLO 373 (925/24)	240 mm ²	350 kcmil Flex 4/0 AWG G,H,I,K,M DLO (550/24)	-	2.56	2.36	5.59	Blue	Yellow	19 or L80	16	2.67	2.29
YSR3129FXKITC	350 kcmil Code	185 mm ²	350 kcmil Flex 4/0 AWG G,H,I,K,M DLO (550/24)	-	2.42	2.36	4.97	Red	Yellow	18	16	2.34	2.29

† Provided with 2 heat shrink tubings. One will overlap the other; install the smaller first and larger over it.

Compression Connections

BURNDY®

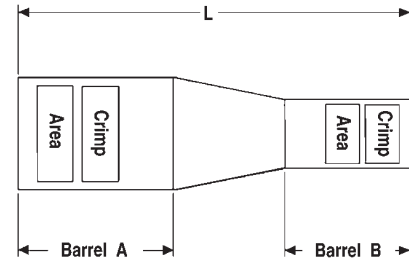
Copper Compression — Reducing Splice Kit — Code/Flex — Long Barrel — No Inspection Window

TYPE YSR-TC

INSTALLATION TOOLING CHART

Connector with Clear Heat Shrink Kit

Clear heat shrink UL224 VW1 Listed.
 Passes TELCORDIA GR-347-CORE Abrasion and Cut Test up to 750 kcmil Class B code cable; contact factory for 750 flex cable applications.



C-184

Long Barrel without Inspection Window

(Continued)

Clear Heat Shrink Kit Catalog Number	Wire Size				Connector				Installation Tooling							
	Barrel A		Barrel B		Color Code		Die Index		Hydraulic Y750, Y35, Y46*, PAT750, PAT46* Series		Hydraulic Y500CTHS, PAT500 Series		Mechanical OUR840, MD7-34		Dieless Y / PAT644 Series	
	AWG	mm ²	AWG	mm ²	Barrel A	Barrel B	Barrel A	Barrel B	Barrel A	Barrel B	Barrel A	Barrel B	Barrel A	Barrel B	Barrel A	Barrel B
YSR44FX38FXKITC			500 kcmil H,I,K 550 kcmil G,H,I DLO 535 (325/24)	300 mm ²		Pink		L99	U44XRT (4)	U38XRT (4)						
YSR44FX34FXKITC	750 kcmil G,H DLO 777 (1925/24)	500 mm ² Class 5	350 kcmil G,H,I,K,M DLO 373 (925/24)	240 mm ²	Yellow	Blue	L115	19 or L80	U44XRT (4) •P44XRT (4)	U32RT (4)	-	W32VT (4) W32RT (4)	-	W32VT (4)		Y / PAT644 (2)
YSR44FX29FXKITC †			350 kcmil Flex 4/0 AWG G,H,I,K,M DLO (550/24)	-		Yellow		16	U44XRT (4) •P44XRT (4)	U29RT (4)		W29VT (4) W29RT (4) X28RT (8)		W29VT (4) X29RT (8)		
YSR3938FXKITC			500 kcmil H,I,K 550 kcmil G,H,I DLO 535 (325/24)	300 mm ²		Pink		L99		U38XRT (4)						
YSR3934FXKITC	750 kcmil Code	-	350 kcmil G,H,I,K,M DLO 373 (925/24)	240 mm ²	Black	Blue	24	19 or L80	U39RT (4) P39RT (4)	U32RT (4)	-	W32VT (4) W32RT (4)	-	W32VT (4)		Y / PAT644 (2)
YSR3929FXKITC †			350 kcmil Flex 4/0 AWG G,H,I,K,M DLO (550/24)	-		Yellow		16		U29RT (4)		W29VT (4) W29RT (4) X29RT (8)		W29VT (4) X29RT (8)		
YSR38FX34FXKITC	500 kcmil H,I,K 550 kcmil G,H,I DLO 535 (325/24)	300 mm ²	350 kcmil G,H,I,K,M DLO 373 (925/24)	240 mm ²		Blue		19 or L80		U32RT (4)		W32VT (4) W32RT (4)		W32VT (4)		Y / PAT644 (2)
YSR38FX29FXKITC			350 kcmil Flex 4/0 AWG G,H,I,K,M DLO (550/24)	-		Yellow		16	U38XRT (4)	U29RT (4)		W29VT (4) W29RT (4) X29RT (8)		W29VT (4) X29RT (8)		
YSR3434FXKITC	500 kcmil Code	240 mm ²	350 kcmil G,H,I,K,M DLO 373 (925/24)	240 mm ²		Blue		19 or L80		U32RT (4)	W34VT (4) W34RT (4)	W32VT (4) W32RT (4)	W34VT (4)	W32VT (4)		Y / PAT644 (2)
YSR3429FXKITC			350 kcmil Flex 4/0 AWG G,H,I,K,M DLO (550/24)	-		Yellow		16	U34RT (4) U31ART (4)	U29RT (4)		W29VT (4) W29RT (4) X29RT (8)		W29VT (4) X29RT (8)		
YSR34FX29FXKITC	350 kcmil G,H,I,K,M DLO 373 (925/24)	240 mm ²	350 kcmil Flex 4/0 AWG G,H,I,K,M DLO (550/24)	-	Blue	Yellow	19 or L80	16	U32RT (4)	U29RT (4)	W32VT (4) W32RT (4)	W29VT (4) W29RT (4)	W32VT (4)	W29VT (4) X29RT (8)		Y / PAT644 (2)
YSR3129FXKITC	350 kcmil Code	185 mm ²	350 kcmil Flex 4/0 AWG G,H,I,K,M DLO (550/24)	-	Red	Yellow	18	16	U31RT (4)	U29RT (4)	W31VT (4) W31RT (4)	W29VT (4) W29RT (4) X29RT (8)	W31VT (4)	W29VT (4) X29RT (8)		Y / PAT644 (2)

† Provided with 2 heat shrink tubings. One will overlap the other; install the smaller first and larger over it.

• P-RT for use in Y46 / PAT 46 Series tools only.

TYPE YC-L

THIN-WALL COPPER C-TAP

UL Listed 90° C, Up to 35 kV ♦

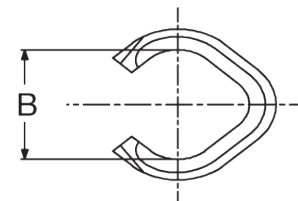
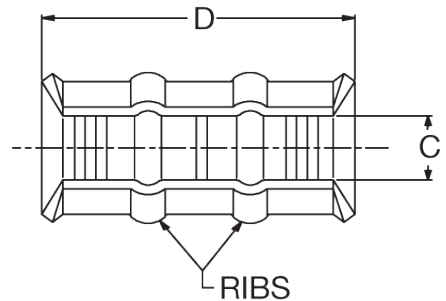
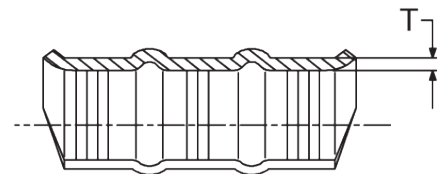
Type YC-L is a thin-wall high conductivity copper connector for making copper tap and parallel connections from #14 to 3/0 AWG. UL Listed and CSA Certified Wire Connector per UL 486A-486B. Direct Burial Rating per UL 467 Grounding and Bonding Connector.



C-185

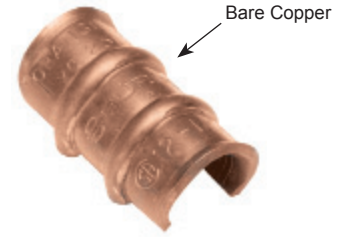
Features & Benefits

- Bare copper range taking C-tap that allows for less inventory as one C-tap can accommodate a multitude of wire combinations
- Reinforced ribs on the outside of the C-tap increases the mechanical holding strength of the connection
- Creates a compact connection that allows for easy taping and insulating
- Connectors include a color dot to ensure proper die and installation tooling is selected
- Manufactured from high conductivity wrought copper provind low resistance for excellent electrical conductivity
- Connectors are clearly marked with stamping and color dot
- UL Listed CSA Certified Wire Connectors per UL 486A-486B
- 4 Sizes are Listed for Grounding and Bonding per UL 467 for Direct Burial in Earth or concrete



TYPE YC-L

THIN-WALL COPPER C-TAP



C-186

UL Listed 90° C, Up to 35 kV ♦
(Continued)



Catalog Number	Copper Conductor AWG ‡		No. of Ribs	Dimensions				Color Code	Installation Tooling						Wire Strip Length
									Mechanical			Hydraulic			
									Y122CMR Y1MRTC	MD6, OUR840 & MD7- 34R	Die ▲ Index Embossment	PATMD6, PAT600, Y500CT (# crimps)	Y35, Y39, Y750, Y45, Y46* (# of crimps)	Die ▲ Index Embossment	
Run	Tap	B	C	D	T	Die No. (# crimps)									
YC8L12	10 8	10 12	0	0.25	0.21	0.60	0.07	Blue	Blue (1)	W5CVT (1)	7	—	—	—	5/8
YC6L12	8 6	10-8 12-10	0	0.33	0.25	0.60	0.07	Gray	Gray (2)	W4CVT (1)	8	—	—	—	5/8
YC4L12	6 5,4	8-6 12-8	1	0.39	0.28	1.18	0.07	Brown	Brown (2)	W2CVT (2)	10	WC4 (1)	UC4 (1)	10M	1-3/16
YC3L12**	5,4 3	6-5 12-6	1	0.46	0.27	1.18	0.08	Green	—	W1CVT (2)	11	—	—	—	1-3/16
YC2L12	4 3 2	4 5 12-6	1	0.50	0.36	1.18	0.08	Pink	—	W25VT (2)	12	WC2 (1)	UC2 (1)	12M	1-3/16
YC1L12	3 2 1	4-3 5-4 12-5	2	0.55	0.34	1.75	0.08	Black	—	W26VT (3)	13	WC1 (2)	UC1 (1)	13M	1-13/16
YC25L12	2 1/0	12-4	2	0.62	0.42	1.75	0.09	Orange	—	W27VT (3)	14	WC25 (2)	UC25 (1)	14M	1-13/16
YC26L12	1 1/0 2/0	2-1 3-2 12-3	2	0.69	0.43	1.75	0.09	Purple	—	W28VT (3)	15	—	UC26 (1)	15	1-13/16
YC27L12	1/0 2/0 3/0	1-1/0 2-1 12-2	2	0.81	0.48	1.75	0.09	Yellow	—	W29VT (3)	16	—	—	—	1-13/16

▲ See tooling section of this catalog for complete tool and die listings.

‡ Refer to website for sales drawing with complete listing with solid/stranded copper conductor

* Use PUADP-1 adapter with U dies in Y46 HYPRESS™
For Tin plating add TN suffix (example = YC10L12TN)

Note: All dimensions shown are for reference only.

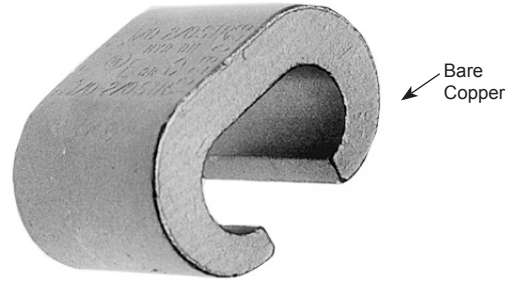
** YC3L12 is NOT UL Listed or CSA Certified for Grounding and Bonding.

TYPE YC-C

COPPER CRIMPIT™

UL Listed 90° C, Up to 35 kV ♦

Type YC-C copper CRIMPIT™ connector is a range-taking C shape compression connector for making tap or parallel copper connections from #12 sol. to 4/0 strand conductor.

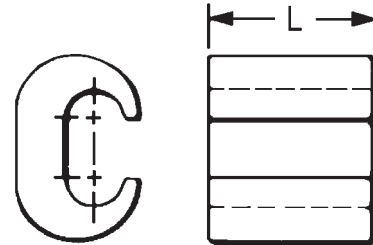


C-187



Features & Benefits

- Bare copper standard (tin plated available)
- Range taking C-tap that allows for less inventory as one C-tap can accommodate a multitude of wire combinations
- Creates a compact connection that allows for easy taping and insulating
- Manufactured from high conductivity wrought copper providing low resistance for excellent electrical conductivity
- Connectors are clearly marked with stamping



Copperweld-Copper Conductors

- 8A - Use CRIMPIT™ accommodating 6 str. Copper
- 6A - Use CRIMPIT™ accommodating 4 Str. Copper
- 4A - Use CRIMPIT™ accommodating 2 Str. Copper
- 2A - Use CRIMPIT™ accommodating 1/0 and 2/0 Copper

Catalog Number	Run	Tap	L	▲ Die Index	Tools, Die Set, Catalog Number, and (‡No. of Crimps) ▲			CRIMPIT™ for 1 Str. Copper	
					MD6	OUR840	Y35, Y750, Y45, Y46*	Run	Tap
YC10C10 †	12 Sol.-10 Str.	12 Sol.- 10 Str.	.32	238	W238 (1)	W238 (1)	U238 (1)	—	—
YC8C8	8 Sol.-8 Str.	10 Sol.- 8 Str.	.50	162	W162 (2)	W162 (2)	U162** (1)	—	—
YC4C8	6 Sol.-4 Str.	8 Sol.- 8 Str.	.62	BG or 5/8	BG (2) W-BG** (1)	XBG (2) XNBG (2)	U-BG (1)	—	—
YC4C6		6 Sol.- 6 Str.	.57						
YC4C4		6 Sol.- 4 Str.							
YC2C4	4 Sol.-2 Str.	8 Sol.- 4 Str.	.67	C	W-C (2)	—	U-C (1)	1 Str. §	6, 8 Str., 8 Sol.
YC2C2	2 Sol.-2 Str.	2 Sol.- 2 Str.						—	—
YC26C2	1/0 Sol.-2/0 Str.	8 Sol.- 2 Str.	.92	E or O	—	—	U-E (3) U-O (1)	1 Str. §	1 or 2 Str.
YC26C26		1/0 Sol.- 2/0 Str.						—	—
YC28C2	3/0 Sol.-4/0 Str.	6 Sol.- 2 Str.	1.07	F or D3	—	—	U-F (3) U-D3** (1)	—	—
YC28C26		1/0 Sol.- 2/0 Str.							
YC28C28		3/0 - 4/0 Str.							

† Not UL Listed.

▲ See tooling section of this catalog for complete tool and die listings.

§ Not UL Listed or CSA Certified with this conductor size in run.

* Use PUADP-1 adapter when using U dies in the Y46 HYPRESS™.

** Multiple crimp die set. Makes more than one crimp per tool compression. Figure () indicates number of compressions.

♦ For applications greater than 2000 Volts consult cable manufacturer for voltage stress relief instructions.

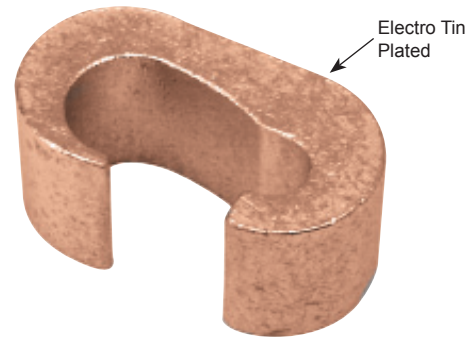
Note: All dimensions shown are for reference only.

TYPE YCHC

C-TAP COPPER CRIMPIT™

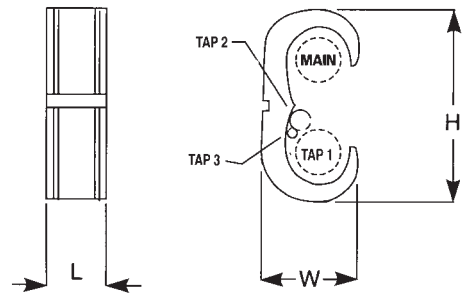
C-188

UL Listed 90° C, Up to 35 kV ♦



Features & Benefits

- Range taking C-Tap that allows for less inventory as one C-tap can accommodate a multitude of wire combinations
- Accommodates a wide range of run/tap combinations
- Manufactured from high conductivity wrought copper providing low resistance for excellent electrical conductivity
- Electro-tin plated unless otherwise specified to reduce galvanic corrosion (bimetallic) and resist corrosive elements
- Each connector has a recommended UL Listed / CSA Certified insulating cover available in both black and clear (see table below); clear cover allows for easy inspection of the connection (see separate page for details on Type CCF-FR and CFR-FR Covers)
- Connectors clearly marked with color coding



BURNDY Catalog Number	Flame Retardant Cover		Conductor Sizes Code/(Flex) Cable				▲ Tooling († No. of Crimps)						▲ Die Index & Embossment	H	W	L	Strip Length		
	Clear Cat. No.	Black Cat. No. ‡	Main	Tap 1	Tap 2	Tap 3	Y35	†	Y750	†	Y46*	†						Color Code	
YCHC44TC44	CCFR-FR	CFR-FR	1000-750 (750-500)	1000-750 (750-500)	—	—	—	—	—	—	P1102	1	White	1102	3.59	1.73	1.16	1-1/4"	
YCHC39TC39	CCFR-FR	CFR-FR	750-500 (550-500)	750-350 (550-350)	—	—	—	—	—	—	P1103	1	Blue	1103	3.12	1.53	1.06	1-1/8"	
YCHC39TC31	CCFR-FR	CFR-FR	750-500 (550-500)	350-2 (250-2)	2-6 Str./Sol. (2-8)	8-14 (8-14)	—	—	—	—	P1103	1	Blue	1103	2.96	1.53	1.31	1-3/8"	
YCHC39TC2	CCFR-FR	CFR-FR	750-500 (550-500)	2-6 Str./Sol. (2-8)	8-14 (8-14)	—	—	—	—	—	P1103	1	Blue	1103	2.66	1.53	1.31	1-3/8"	
YCHC34TC34	CCFN-FR	CFN-FR	500-4/0 (350-4/0)	500-4/0 (350-4/0)	—	—	—	—	—	U1104	2	U1104	1	Brown	1104	2.97	1.38	1.00	1-1/4"
YCHC34TC29	CCFN-FR	CFN-FR	500-4/0 (350-4/0)	250-2 (4/0-2)	2-6 Str./Sol. (2-8)	—	—	—	—	U1104	2	U1104	1	Brown	1104	2.45	1.26	0.88	1"
YCHC34TC2	CCFN-FR	CFN-FR	500-4/0 (350-4/0)	2-6 Str./Sol. (2-8)	8-14 (8-14)	—	—	—	—	U1104	2	U1104	1	Brown	1104	2.45	1.26	0.94	1"
YCHC29TC29	CCFDXFR	CFD-FR	250-2 (4/0-2)	250-2 (4/0-2)	—	—	—	—	—	U997	1	U997	1	Orange	997	2.12	.98	0.94	1"
YCHC29TC2	CCFD-FR	CFD-FR	250-2 (4/0-2)	2-6 Str./Sol. (2-8)	8-14 (8-14)	—	—	—	—	U251	1	U251	1	Red	251	1.78	.97	0.81	1"
YCHC2TC2	CCFO-FR	CFO-FR	2-6 Str./Sol. (2-8)	2-6 Str./Sol. (2-8)	8-14 (8-14)	—	—	U-C	1	U-C	1	U-C	1	Brown	C	1.22	.60	0.81	1"
YCHC8TC8	♦	♦	8-12 (8-12)	8-12 (8-12)	—	—	—	—	—	U-240	1	U-240	1	Red	240	0.53	.35	0.56	5/8"

Note: To properly use tap 2 and/or tap 3 conductors in YCHC connector a conductor from the tap 1 cable range must be included in the tap 1 groove.

‡ To obtain covers made of polyethylene remove suffix-FR (example: CFO). CFO is not flame retardant.

* Use PUADP-1 adaptor with U dies in Y46.

▲ See tooling section of Master Catalog for complete tool and die listings.

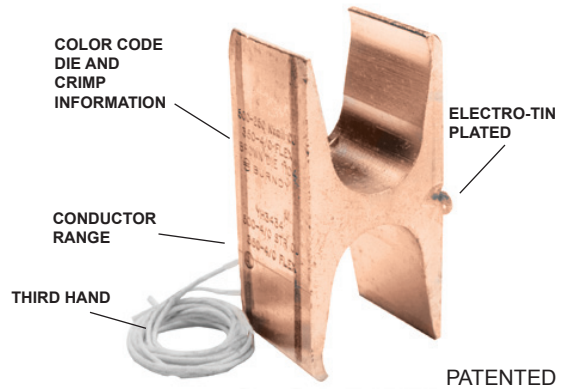
♦ For applications requiring flame retardant cover, use either a CCFBG-FR (Clear) or CFBG-FR (Black) cover and YH2C2C connector by ordering YH8C8CWCC (Clear) or YH8C8CWC (Black).

Note: All dimensions shown are for reference only.

TYPE YH

H-TAP COPPER CRIMPIT™

UL Listed 90° C, Up to 35 kV ♦



C-189

Features & Benefits

- Range taking H-tap that allows for less inventory as one H-tap can accommodate a multitude of wire combinations
- Accommodates a wide range of run / tap combinations
- The tap grooves act independently; the use of one run and one tap wire is required when using this connector for making a connection
- Designs with more than one tap wire groove require installers to utilize only the run and one tap groove; the other tap grooves can be left empty
- The “third hand” is a string provided with the H-tap connector used to wrap the wire while being inserted into the run and tap grooves; this feature constrains the wire while the installer applies the recommended number of crimps
- Electro-tin plated unless otherwise specified to reduce galvanic corrosion (bimetallic) and resist corrosive elements
- Each connector has a recommended UL Listed / CSA Certified insulating cover available in both black and clear (see table below); clear cover allows for easy inspection of the connection (see separate page for details on Type CCF-FR and CFR-FR Covers)
- Connectors clearly marked with color coding to ensure proper die and installation tooling is selected

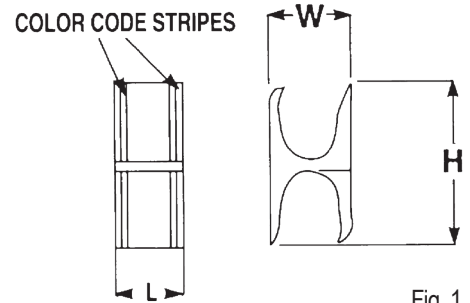


Fig. 1

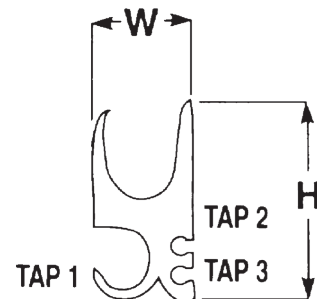


Fig. 2

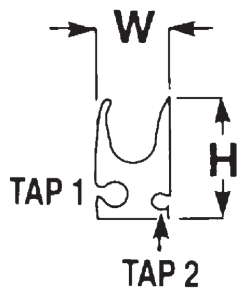


Fig. 3

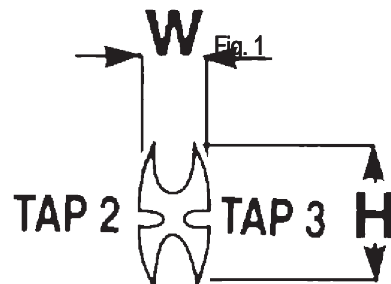


Fig. 4

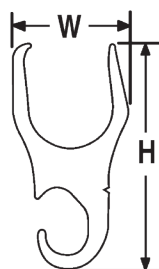


Fig. 5

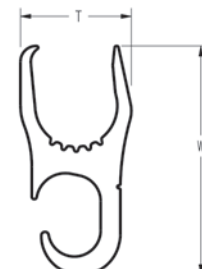


Fig. 6

TYPE YH

H-TAP COPPER CRIMPIT™

C-190

UL Listed 90° C, Up to 35 kV ♦

(Continued)

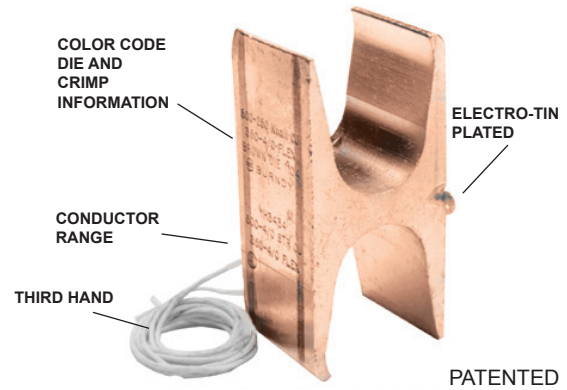


TABLE 1 CODE CONDUCTOR AND METRIC EQUIVALENT

H-Tap Connector	Kit Catalog Number		Conductor Sizes Code/(Flex Cable)					Metric Conductor Sizes (mm ²)			
	Flame Retardant Cover		Fig. No.	Main	Tap 1	Tap 2	Tap 3	Main	Tap 1	Tap 2	Tap 3
	Clear	Black ‡									
YH4444	YH4444WCC	YH4444WC	1	1000-750 (750-500) (750)	1000-750 (750-500) (750)	—	—	500-400	500-400	—	—
YH4434	YH4434WCC*	YH4434WC	6	1000-750 (750-500) (750)	1000-750 (750-500) (350)	—	—	1000-750 (777-500) (777-750)	500-350 (350 FX)	—	—
YH4429	YH4429WCC	YH4429WC	5	1000-750 (777-500)	250-2 (4/0-2)	—	—	500-400	150-35	—	—
YH3939	YH3939WCC	YH3939WC	1	750-500 (550-500)	750-350 (550-313)	—	—	300-300	300-185	—	—
YH3931	YH3931WCC	YH3931WC	2	750-350 (550-500)	4/0-1/0 (250-1/0)	1-6 Str/Sol (1-8)	2-14 (2-14)	300-185	95-70	35-16	35-2.5
YH3434	YH3434WCC	YH3434WC	1	500-250 (350-4/0)	500-4/0 (350-4/0)	—	—	240-150	240-120	—	—
YH3429	YH3429WCC	YH3429WC	2	500-4/0 (350-4/0)	250/1/0 (4/0-1/0)	1-6 Str/Sol (1-8)	8-14 (8-14)	240-120	120-70	35-16	6-2.5
YH2929	YH2929WCC	YH2929WC	1	250-2 (4/0-2)	250-2 (4/0-2)	—	—	120-35	120-35	—	—
YH292C	YH292CWCC	YH292CWC	3	250-2 (4/0-2)	2-6 Str/Sol (2-8)	8-14	—	120-35	35-16	6-2.5	—
YH298C	YH298CWCC	YH298CWC	3	250-2 (4/0-2)	8-14	8-14	—	120-35	6-2.5	6-2.5	—
YH2C2C	YH2C2CWCC	YH2C2CWC	4	2-6 Str/Sol (2-8)	2-6 Str/Sol (2-8)	8-14	8-14	35-16	35-16	6-2.5	6-2.5
YH6C6C	YH6C6CWCC	YH6C6CWC	1	6-10 (6-10)	6-14 (6-14)	—	—	10-6	10-2.5	—	—
YH8C8C	YH8C8CWCC	YH8C8CWC	4	8-14 (8-14)	8-14 (8-14)	—	—	6-2.5	6-2.5	—	—

• Use PUADP-1 adaptor with U dies in Y46.

* Not CSA Certified.

▲ See tooling section of this catalog for complete tool and die listings.

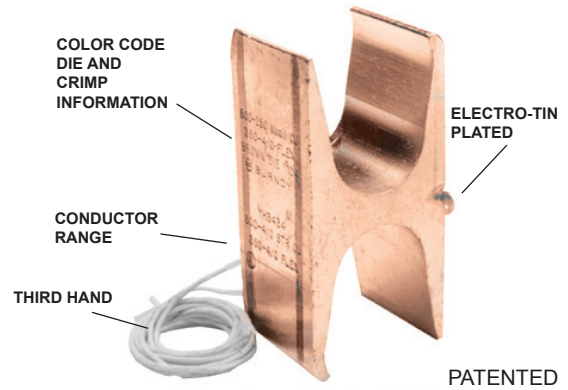
Note: All H-Taps ROHS compliant.

Note: All dimensions shown are for reference only.

TYPE YH

H-TAP COPPER CRIMPIT™

UL Listed 90° C, Up to 35 kV ♦
(Continued)



C-191

TABLE 2 FLEX AND METRIC CONDUCTOR RANGES

Catalog Number		Maximum Conductor in Range		Diameter mm	Minimum Conductor in Range		Diameter mm
		Flex Conductor (AWG/kcmil)	Maximum Metric Dimensions mm ²		Flex Conductor (AWG/kcmil)	Minimum Metric Dimensions mm ²	
YH4444	Main	777	393	28	500	253	24
	Tap 1	777	393	28	500	253	24
	Main	777	393	28	750	380	31
YH4434	Tap 1	—	—	—	350	177	20
YH4429	Main	777	393	28	500	253	24
	Tap 1	4/0	107	15.5	2	33.6	8
YH3939	Main	550	278	25	500	253	24
	Tap 1	550	278	25	2	177	20
YH3931	Main	550	278	25	500	253	24
	Tap 1	250	126	17	1/0	53.5	11
	Tap 2	1	42	9	8	8	4
	Tap 3	2	33.6	8	14	2	2
YH3434	Main	350	177	20	4/0	107	15.5
	Tap 1	350	177	20	4/0	107	15.5
YH3429	Main	350	177	20	4/0	107	15.5
	Tap 1	4/0	107	15.5	1/0	53	11
	Tap 2	1	42	9	8	8	4
	Tap 3	8	8	4	14	2	2
YH2929	Main	4/0	107	15.5	2	33.6	8
	Tap 1	4/0	107	15.5	2	33.6	8
YH292C	Main	4/0	107	15.5	2	33.6	8
	Tap 1	2	33.6	8	8	8	4
	Tap 2	8	8	4	14	2	2
YH298C	Main	4/0	107	15.5	2	33.6	8
	Tap 1	8	8	4	14	2	2
	Tap 2	8	8	4	14	2	2
YH2C2C	Main	2	33.6	8	8	8	4
	Tap 1	2	33.6	8	8	8	4
	Tap 2	8	8	4	14	2	2
	Tap 3	8	8	4	14	2	2
YH6C6C	Main	6	13	5	10	5	3
	Tap 1	6	13	5	14	2	2
YH8C8C	Main	8	8	4	14	2	2
	Tap 1	8	8	4	14	2	2

• Use PUADP-1 adaptor with U dies in Y46.

* Not CSA Certified.

▲ See tooling section of this catalog for complete tool and die listings.

Note: All H-Taps ROHS compliant.

Note: All dimensions shown are for reference only.

TYPE YH

H-TAP COPPER CRIMPIT™

C-192

UL Listed 90° C, Up to 35 kV ♦

(Continued)

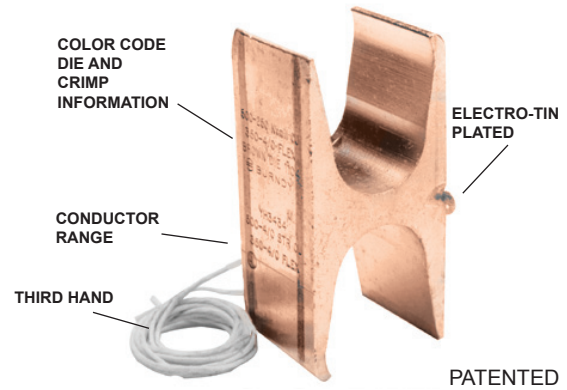


TABLE 3 INSTALLATION TOOLING + DIMENSIONS

Catalog Number	Kit Catalog Number		▲ Tooling († No. of Crimps)								▲ Die Index & Embossment	H	W	Length	Strip Length
	Flame Retardant Cover		Fig. No.	Y35	†	Y750	†	Y46	†	Color Code					
	Clear	Black ‡													
YH4444	YH4444WCC	YH4444WC	1	—	—	—	—	P1102	1	White	1102	3.38	1.70	24	1-1/8
YH4434	YH4434WCC*	YH4434WC	6	—	—	—	—	P1102	1	Yellow	KR	3.38	1.70	1.00	1-3/8
YH4429	YH4429WCC	YH4429WC	5	—	—	—	—	PYFR	1	Yellow	KR	3.22	1.70	1.00	1-3/8
YH3939	YH3939WCC	YH3939WC	1	—	—	—	—	PYFR	1	Yellow	KR	2.97	1.50	1.25	1-3/8
YH3931	YH3931WCC	YH3931WC	2	—	—	—	—	PYFR	1	Yellow	KR	2.97	1.50	0.95	1-1/16
YH3434	YH3434WCC	YH3434WC	1	—	—	U1104M U1104	1 2	P1104 U1104M	1	Brown	1104	2.43	1.15	1.00	1-1/8
YH3429	YH3429WCC	YH3429WC	2	—	—	U1104M U1104	1 2	P1104 U1104M	1	Brown	1104	2.23	1.31	1.00	1-1/8
YH2929	YH2929WCC	YH2929WC	1	—	—	U654	1	U654 P654	1	Purple	654	1.85	.90	0.90	1-1/16
YH292C	YH292CWCC	YH292CWC	3	—	—	U654	1	U654 P654	1	Purple	654	1.52	.90	0.90	1-1/16
YH298C	YH298CWCC	YH298CWC	3	—	—	U654	1	U654 P654	1	Purple	654	1.52	.90	0.90	1-1/16
YH2C2C	YH2C2CWCC	YH2C2CWC	4	U-C	1	U-C	1	U-C	1	Brown	C	1.25	.60	0.75	7/8
YH6C6C	YH6C6CWCC	YH6C6CWC	1	UBGRT	1	UBGRT	1	UBGRT	1	Orange	BG	0.81	.39	0.60	3/4
YH8C8C	YH8C8CWCC	YH8C8CWC	4	U11T-1	1	U11T-1	1	U11T-1	1	Green	11	0.63	.40	0.60	3/4

• Use PUADP-1 adaptor with U dies in Y46.

* Not CSA Certified.

▲ See tooling section of this catalog for complete tool and die listings.

Note: All H-Taps ROHS compliant.

Note: All dimensions shown are for reference only.

TYPE CF-FR

H-TAP — FLAME RETARDANT COVER

UL Listed 90° C, Up to 600 Volts



C-193

Features & Benefits

- Insulation cover that has a one-piece hinge design so no extra hardware is required
- After an H-tap connection is made, the appropriate CF-FR cover can be used to slip over the connection and latches securely shut
- The use of the insulation cover eliminates the need to tape the connection making this solution a fast and reliable method of insulating
- Flash Barrier; the cover is designed to protect against electrical flashover
- Type CF-FR cover material has a UL94 V-O Flame rating with a minimum 28 oxygen index that indicate self-extinguishing retardant properties
- Covers are clearly marked with lettering

Catalog Number	Max. Conductor Accommodated	Matched H Copper CRIMPIT™	Max. Connector Length	Connector Color Code
CFBG-FR	#8 AWG	YH8C8C	0.65	Green
	#6 AWG	YH6C6C	0.65	Orange
CFO-FR	#2 AWG	YH2C2C	0.80	Brown
CFD-FR	250 kcmil	YH292C, YH298C, YH2929	0.95	Purple
CFN-FR	500 kcmil	YH3434, YH3429*	1.10	Brown
CFR-FR	750 kcmil	YH3939, YH3931, YH4429	1.30	Yellow
	1000 kcmil	YH4434, YH4444	1.10	White

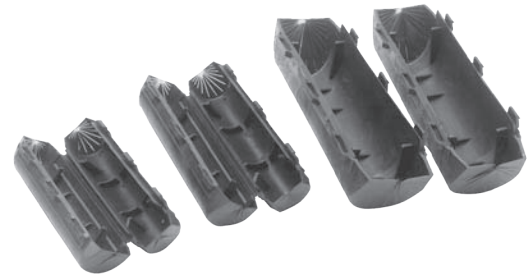
* Use CFN-FR for single tap installation; use CFR-FR when 2 or more tap conductors are installed.

† Two-piece design packaged together.

Note: All dimensions shown are for reference only.

TYPE CFA-FR

H-CRIMPIT™



C-194

FLAME RETARDANT INSULATING COVERS

FOR O, D3, N, AND KR DIE SIZE H-TAP COMPRESSION CONNECTORS



UL Listed to 600 Volts

Type CFA-FR flame retardant insulating covers are made of high impact, high density polypropylene with a minimum 28 oxygen index. This cover has the benefit of self-extinguishing flame retardant properties. Material is UL 94V-O rated. Overlapping flash barriers protect both seams against possible electrical flashover. End fingers remain closed or wrap closely around conductors. Multiple latches lock cover closed securely. Type CFA-FR covers are suitable for indoor and outdoor use. Pliable in cool weather application.

Features & Benefits

- Insulating cover that has a one-piece hinge design so no extra hardware required
- After an H-CRIMPIT™ connection is made the appropriate cover can be used to slip over the connection and latches securely shut
- The use of the insulating cover eliminates the need to tape the connection, making this solution a fast and reliable method of insulating
- The cover is designed to provide a flash barrier and protect against electrical flashover
- UL Listed, CSA Certified insulating cover; 600 volts max, 90°C
- Polypropylene material has a V-O flame rating per UL 94
- Covers are clearly marked with lettering

Catalog Number	Max. Conductor Accommodated	Insulated H-Tap CRIMPIT™ Connectors	Max. Conductor Length	Connector Die Index	Connector Color Code
CFAO-FR	1/0	YFO140	2-1/2"	O	Green
CFAD-FR	4/0	YFD265, YFD365, YFD415	3-1/8"	D	Blue
CFAN-FR	500 kcmil	YFN515, YFN565	2-1/2"	N-Short Connector	Red
CFANL-FR	500 kcmil	YFN465, YFN540, YFN615	5-1/2"	N-Long Connector	Red
CFAR-FR*	900 kcmil	YFR715, YFR765, YFR815, YFR865, YFR915	4-7/8"	KR	Yellow

* Two piece design packaged together.

Note: All dimensions shown are for reference only.

TYPE CCF-FR

CLEAR H-TAP — FLAME RETARDANT COVER

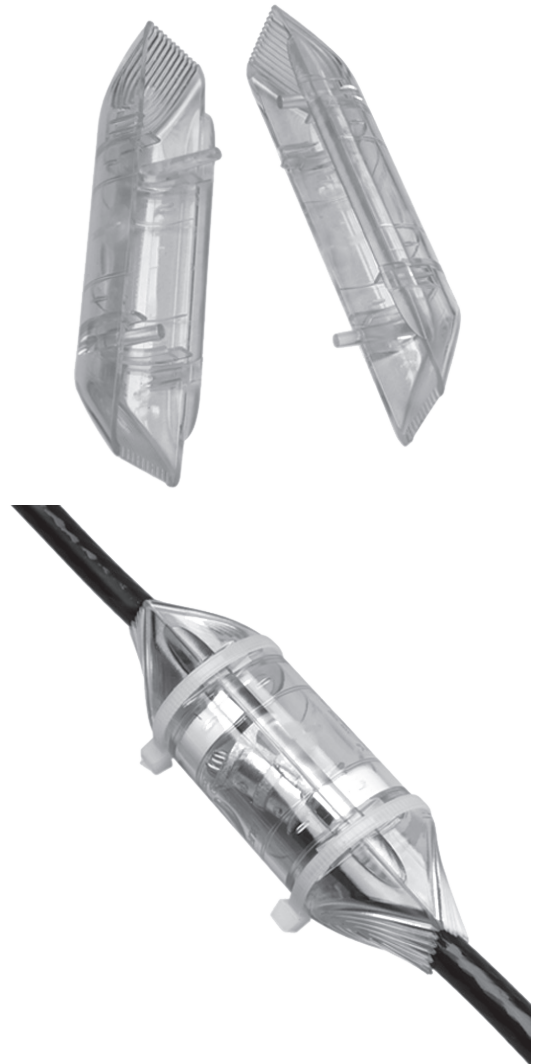
UL Listed 90° C, Up to 600 Volts



C-195

Features & Benefits

- Insulation cover that has a two-piece design with positive locking latch to ensure correct installation; prevents opening after installation
- After an H-tap connection is made, the appropriate Type CCF-FR cover can be used to slip over the connection and latch securely shut
- Embedded magnifying lens in the cover provides increased visibility of the H-tap die embossment on the connector made by the required installation tooling; this allows for improved visibility during a connection inspection
- Made of polished clear polycarbonate material that provides:
 - High visibility for inspection of installed H-tap connection
 - Built-in channels on the outside of the covers accommodate and hold cable ties, hook and loop ties, or waxed cord security in place after cover installation
 - Patented highly flexible fingers on each covers are designed to contour around the wire
 - Internal pockets designed to accommodate identification tags (4 ID tags included)
 - UL94 V-O Flame rating indicating self-extinguishing retardant properties
- The use of the insulation cover eliminates the need to tape the connection making this solution a fast and reliable method of insulating
- Molded barrier prevents installed H-tap connectors from electrical flashover
- Covers come with two (2) clear cover halves, two (2) cable ties, and four (4) identification tags
- Covers are clearly marked with lettering



Catalog Number	Max. Conductor Accommodated	Matched H Copper CRIMPIT™	Max. Connector Length	Connector Color Code
CCFBG-FR	#8 AWG	YH8C8C	0.65	Green
	#6 AWG	YH6C6C	0.65	Orange
CCFO-FR	#2 AWG	YH2C2C	0.80	Brown
CCFD-FR	250 kcmil	YH292C, YH298C	0.95	Purple
CCFDX-FR	250 kcmil	YH2929	0.95	Purple
CCFN-FR	500 kcmil	YH3434, YH3429*	1.10	Brown
CCFR-FR	750 kcmil	YH3939, YH3931, YH4429	1.30	Yellow
	1000 kcmil	YH4434, YH4444	1.10	White

* Use CCFN-FR for single tap installation; use CCFR-FR when 2 or more tap conductors are installed. **Note:** All dimensions shown are for reference only.

TYPES YSH

H COPPER CRIMPIT™

COPPER SPLIT COMPRESSION WYE TAP CONNECTOR

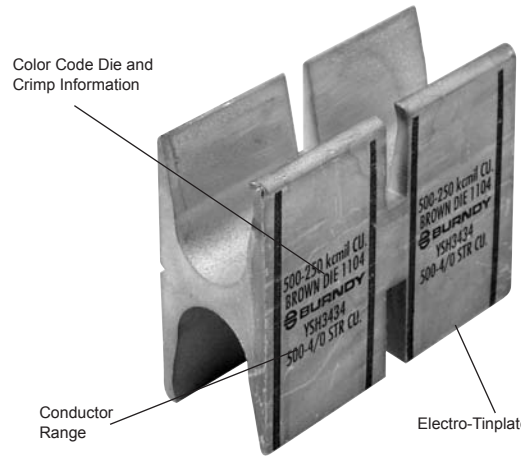
C-196

The YSH heavy duty connectors are designed for insulated underground wye splices. The split H copper CRIMPIT™ connector is longer than our standard H copper CRIMPIT™ and is suitable for use on high voltage (15kV) power cables with copper conductors. The connectors cannot be used with oil filled or mass impregnated cables since no oil stop is provided. The connector is installed with standard BURNDY® HYPRESS™ tools and is made of tin-plated electrolytic copper.

Color Code Die and Crimp Information

Conductor Range

Electro-Tinplated



Features & Benefits

- Range taking H-tap that allows for less inventory as one H-tap can accommodate a multitude of wire combinations
- Accommodates a wide range of run / tap combinations
- The tap grooves act independently; the use of one run and one tap wire is required when using this connector for making a connection
- Manufactured from high conductivity wrought copper providing low resistance for excellent electrical conductivity
- Electro-tin plated unless otherwise specified to reduce galvanic corrosion (bimetallic) and resist corrosive elements
- Color coded to ensure proper die and installation tooling is selected
- Insulation is not provided; insulation may be obtained from Raychem (800-272-9243) Type HVSU Splice Kits for 15kV installations; a complete IEEE 404 15kV installation is provided

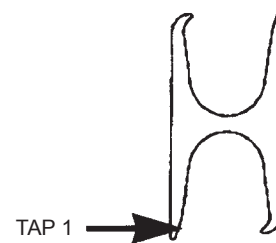
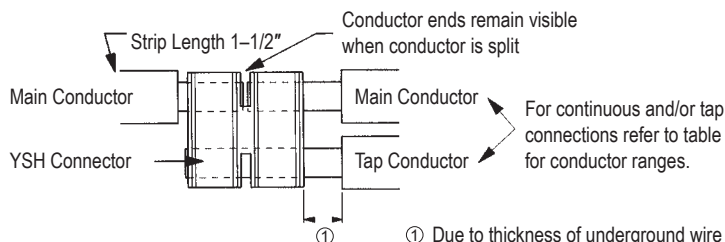


Fig. 1



① Due to thickness of underground wire insulation the minimum recommended strip length from the connector edge is 1 inch.

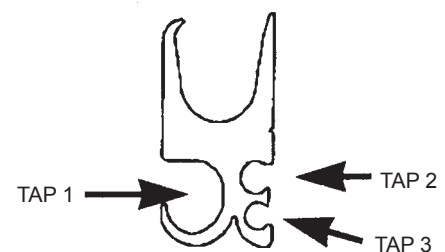


Fig. 2

TYPES YSH

H COPPER CRIMPIT™

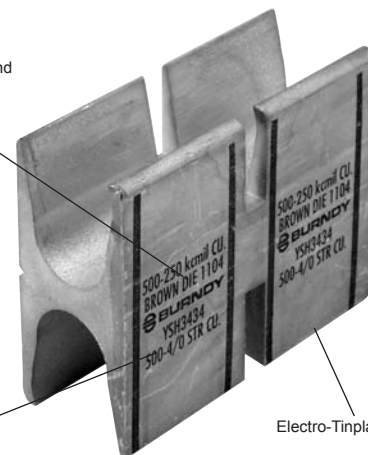
COPPER SPLIT COMPRESSION WYE TAP CONNECTOR

(Continued)

Color Code Die and Crimp Information

Conductor Range

Electro-Tinplated



C-197

Expanded Tap 1 Components	
Expanded Catalog Number	Tap 1 Range
YSH-292C-E	#2 Str.
YSH-2925-E	1/0 Str.

Catalog Number	Fig. #	Conductor Sizes Code Expanded Tap 1 (Flex Cable)				Y750	†	Y46*	†	Color Code	Die Index ▲ & Embossment	H	W	L	Wire Strip Length
		AWG	Tap 1	Tap 2	Tap 3										
YSH2929	1	250 kcmil - #2 AWG (4/0 - 2)	250 kcmil - #2 AWG (4/0 - 2)	-	-	U654	4	P654	2	Purple	654	1.85 in	0.90 in	3.00 in	1 1/2
YSH3429	2	500 kcmil - 4/0 AWG (350 - 4/0)	250 kcmil - 1/0 AWG (4/0 - 1/0)	#1- #6 AWG (1 - 8)	#8- #14 AWG (8 - 14)	U1104	4	P1104	2	Brown	1104	2.23 in	1.31 in	3.00 in	1 1/2
YSH3434	1	500 - 250 kcmil (350 - 4/0)	500 kcmil - 4/0 AWG (350 - 4/0)	-	-	U1104	4	P1104	2	Brown	1104	2.43 in	1.15 in	3.00 in	1 1/2
YSH3931	2	750 - 350 kcmil (550 - 500)	4/0 - 1/0 AWG (350 - 1/0)	#1- #6 AWG (1 - 8)	#2- #14 AWG (2 - 14)	-	-	PYFR	2	Yellow	KR	2.97 in	1.50 in	3.00 in	1 1/2
YSH3939	1	750 - 500 kcmil (550 - 500)	750 - 350 kcmil (550 - 350)	-	-	-	-	PYFR	2	Yellow	KR	2.97 in	1.50 in	3.00 in	1 1/2

* Use PUADP-1 adaptor with U dies in Y46. The Y46 and P dies result in a smooth crimp surface and is recommended for voltages above 600 V.

▲ See tooling section of this catalog for complete tool and die listings.

† Number of crimps per connector. U dies require double crimps.

Note: All dimensions shown are for reference only.

TYPE YST

UNINSULATED T-COUPLER

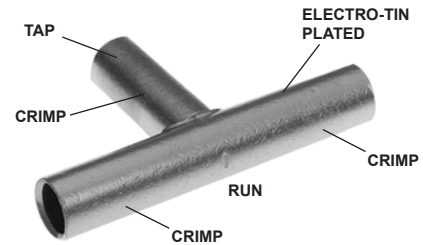
COPPER HYTEE™ COUPLER

C-198



UL Listed 90° C, Up to 35 kV ♦

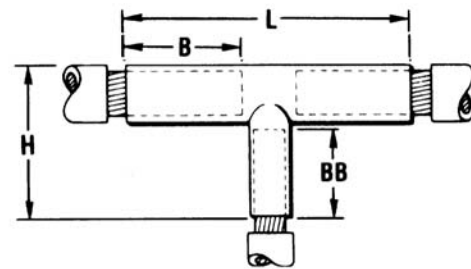
Type YST copper compression tee is designed for connecting a run conductor with a perpendicular tap conductor.



YST connectors are commonly used in junction boxes and manholes to make a radial tap off a main run. They are needed in many industrial, utility generation and commercial applications. The most common cable combinations are listed below. BURNDY® Type Y-R reducers can be used to accommodate most cable combinations.

Features & Benefits

- Manufactured from high conductivity electrolytic copper tubing with heavy wall thickness, Type YST T-couplers provide low resistance for excellent electrical conductivity
- Featuring long barrel length for all three wire accommodating barrels allows for an increased number of crimps increasing the mechanical strength of the connection while allowing the connection to operate at a lower temperature rating; additionally, the long barrel permits the use of the Type Y-R reducing adapters
- Accommodates a wide range of run / tap combinations
- Electro-tin plated unless otherwise specified to reduce galvanic corrosion (bimetallic) and resist corrosive elements
- Connectors are clearly marked



Catalog Number	Code ● Conductors		Dimensions				Dieless (# of crimps)	Installation Tooling ▲						Wire Length	
								Run Conductors			Tap Conductors				
	Run	Tap	B	BB	H	L		Y35, ▲ 739, Y750, Y46*	Y35, ▲ 739, Y750, Y46*	Die Number (# of crimps)	Color Code	Die Index ▲	Run	Tap	
YST4C4C	4 str.	4 str.	1.12	1.38	1.72	3.25	Y / PAT 644 (1) Y / PAT81KFT (1)	U4CRT (2)	Gray	8	U4CRT (2)	Gray	8	1-3/16"	1-3/16"
YST2C2C	2 str.	2 str.	1.25	1.56	1.98	3.56		U2CRT (2)	Brown	10	U2CRT (2)	Brown	10	1-5/16"	1-5/16"
YST2525	1/0 str.	1/0 str.	1.38	1.56	1.91	3.81		U24RT (2)	Pink	12	U25RT (2)	Pink	12	1-7/16"	1-7/16"
YST2626	2/0 str.	2/0 str.	1.50	1.67	2.18	3.94		U26RT (2)	Black	13	U26RT (2)	Black	13	1-9/16"	1-9/16"
YST282C	4/0 str.	2 str.	1.62	1.50	2.12	3.94		U28RT (2)	Purple	15	U2CRT (2)	Brown	10	1-11/16"	1-5/16"
YST2825	4/0 str.	1/0 str.	1.62	1.56	2.25	4.00		U28RT (2)	Purple	15	U25RT (2)	Pink	12	1-11/16"	1-5/8"
YST2828	4/0 str.	4/0 str.	1.62	1.75	2.44	4.19	—	U28RT (2)	Purple	15	U28RT (2)	Purple	15	1-11/16"	1-13/16"
YST2929	250 kcmil	250 kcmil	1.62	1.78	2.53	4.25	—	U29RT (2)	Yellow	16	U29RT (2)	Yellow	16	1-11/16"	1-11/16"
YST3131	350 kcmil	350 kcmil	2.00	2.25	3.12	5.50	Y / PAT 644 (2) Y / PAT81KFT (2)	U31RT (4)	Red	18	U31RT (4)	Red	18	2"	2"
YST3428	500 kcmil	4/0 str.	2.25	1.75	2.81	5.81		U34RT (4)	Brown	20	U28RT (2)	Purple	15	2-5/16"	1-11/16"
YST3434	500 kcmil	500 kcmil	2.25	2.70	3.76	6.19		U34RT (4)	Brown	20	U34RT (4)	Brown	20	2-5/16"	2-5/16"
YST3939	750 kcmil	750 kcmil	2.88	3.34	4.64	8.12		U39RT (4)	Black	24	U39RT (4)	Black	24	2-15/16"	2-15/16"

* Use adapter PUADP-1 with U Dies in Y46 HYPRESS™.
 ■ The maximum size for the Y35 is 400 kcmil.

● Contact factory for conductor combinations not shown.
 ▲ See tooling section of this catalog for complete tool and die listings.

♦ For applications greater than 2000 Volts consult cable manufacturer for voltage stress relief instructions.
 Note: All dimensions shown are for reference only.

TYPES YA-A AND YA-A-TN

HYLUG™

UNINSULATED ALUMINUM COMPRESSION TERMINAL

FOR ALUMINUM AND COPPER CONDUCTORS

1-HOLE DESIGN

UL Listed 90° C, Up to 35 kV ♦

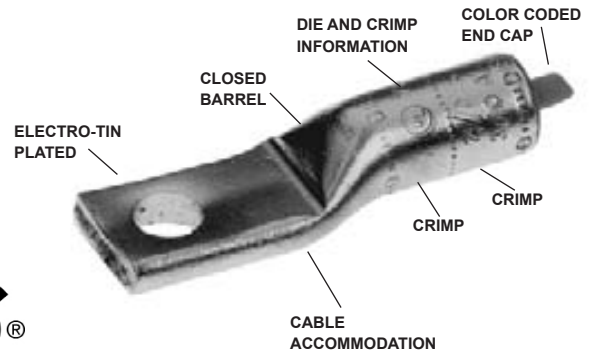


Type YA-A aluminum tin-plated compression HYLUG™ terminals are dual-rated and designed for use on both aluminum and copper conductors from #12 sol. through 2000 kcmil.

They are designed for heavy duty applications to 35kV. YA-A terminals are pre-filled with PENETROX™, and assembled with color-coded end caps. The aluminum HYLUG™ terminals are designed for a permanent trouble-free electrical termination.

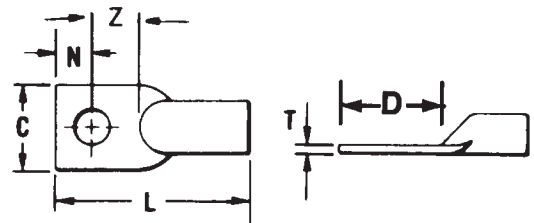
Features & Benefits

- Aluminum terminals are dual rated to accommodate both copper and aluminum wire and are indicated with AL-CU on the connector
 - AL9CU indicates the terminal can accommodate aluminum and copper wire and is UL Listed 90°C, up to 35kV
 - AL7CU indicates the terminal can accommodate aluminum and copper wire and is UL Listed 75°C, up to 35kV
- Barrel is designed with an internal chamfer at the wire entry to ensure smooth insertion of the wire, preventing possible damaging of the wire strands during insertion
- 45° and 90° angular lugs are available; please contact Customer Service
- Electro-tin plated unless otherwise specified to reduce galvanic corrosion (bimetallic) and resist corrosive elements
- Connectors are clearly marked with wire size, die index, color code, and crimp locations bands
- Factory pre-filled with PENETROX™ A13 oxide inhibitor
- Color coded end caps are factory inserted in the barrels to match the die color code; prevent foreign materials from entering the barrel
- Aluminum oxidation is not easily detected but causes resistance in a connection; it is imperative the proper preparation takes place prior to making an aluminum-to-aluminum connection



C-199

NOTE: Field bending straight lugs to achieve an angular connection will void UL Listing / CSA Certifications and BURNDY will not be liable for the connection.



Compression Connections

Aluminum Compression — Tin Plated — For Aluminum & Copper Conductors

BURNDY®

TYPES YA-A AND YA-A-TN

1-HOLE DESIGN

UL Listed 90° C, Up to 35 kV ♦

(Continued)



AL9CU



NOTE: Field bending straight lugs to achieve an angular connection will void UL Listing / CSA Certifications and BURNDY will not be liable for the connection.

C-200

Catalog Number	Code Conductor	Stud Size	No. of Holes in Pad	Dimensions						Installation Tooling ▲					Wire Strip Length
				C	D	L	N	T	Z	Dieless (# of crimps)		Die Number (# of crimps)	Color Code	▲ Die Index	
										Mechanical Tooling	Hydraulic HYPRESS™				
YA12A-TN	12 Str.	#10	1	0.41	0.50	1.19	0.20	0.07	0.30	MR8-27 (1)	—	—	①	—	5/8
YA10A-TN	10 Str.	#10	1	0.41	0.50	1.22	0.20	0.06	0.30	—	—	—	—	—	—
YA8CA1	8 AWG	#10	1	0.53	0.60	1.50	0.20	0.09	0.40	MY29-3 (1)	Y / PAT81KFT (1)	U8CABT (1)	Blue	374	5/8
YA8CA3		1/4	1	0.53	0.75	1.65	0.25	0.09	0.50	MRC840AL (1)	—	—	—	—	—
YA6CA1	6 AWG	1/4	1	0.47	0.75	1.84	0.33	0.14	0.42	MY29-3 (1)	Y / PAT644 (1)	U6CABT (1)	Gray	346	3/4
YA6CA3		3/8	1	0.65	1.19	2.28	0.44	0.09	0.75	MRC840AL (1)	Y / PAT81KFT (1)	—	—	—	—
YA4CA1	4 AWG	1/4	1	0.47	0.75	2.13	0.33	0.18	0.42	—	—	—	—	—	—
YA4CA3		5/16	1	0.80	0.87	2.25	0.41	0.12	0.46	MY29-3 (1)	Y / PAT81KFT (1)	U4CABT (1)	Green	375	7/8
YA4CA6		3/8	1	0.80	0.94	2.32	0.44	0.12	0.50	MRC840AL (2)	Y / PAT644 (1)	—	—	—	—
YA2CA5	2 AWG	1/4	1	0.50	0.75	2.25	0.33	0.22	0.42	—	—	—	—	—	—
YA2CA1		5/16	1	0.88	0.88	2.50	0.41	0.16	0.47	MY29-3 (1)	Y / PAT81KFT (2)	U2CABT (1)	Pink	348	1-1/8
YA2CA3		3/8	1	0.88	0.94	2.56	0.44	0.16	0.50	MRC840AL (2)	Y / PAT644 (1)	—	—	—	—
YA1CA1	1 AWG	3/8	1	0.76	1.19	2.59	0.44	0.19	0.75	MY29-3 (1)	Y / PAT81KFT (2)	U1CART (1)	Gold	471	15/16
YA25A1	1/0 AWG	5/16	1	0.60	0.87	2.31	0.41	0.21	0.46	—	—	—	—	—	—
YA25A3		3/8	1	0.82	1.18	2.67	0.63	0.21	0.55	MY29-3 (1)	Y / PAT81KFT (2)	U25ART (1)	Tan	296	1-1/16
YA25A9		1/2	1	1.03	1.34	2.83	0.63	0.17	0.71	MRC840AL (2)	Y / PAT644 (1)	—	—	—	—
YA26A6	2/0 AWG	3/8	1	0.67	1.89	2.79	0.44	0.24	0.74	MY29-3 (2)	Y / PAT81KFT (2)	U26ART (2)	Olive	297	1-3/8
YA26A1		1/2	1	1.03	1.36	3.03	0.63	0.20	0.73	MRC840AL (3)	Y / PAT644 (1)	—	—	—	—
YA27A1	3/0 AWG	3/8	1	0.73	1.18	2.88	0.44	0.26	0.74	MY29-3 (2)	Y / PAT81KFT (2)	U27ART (2)	Ruby	467	1-1/2
YA27A3		1/2	1	1.04	1.37	3.27	0.63	0.26	0.74	MRC840AL (3)	Y / PAT644 (1)	—	—	—	—
YA28A1	4/0 AWG	3/8	1	1.17	1.18	3.26	0.44	0.30	0.74	MY29-3 (2)	Y / PAT81KFT (2)	U28ART (2)	White	298	1-5/8
YA28A3		1/2	1	1.17	1.36	3.44	0.63	0.30	0.73	MRC840AL (3)	Y / PAT644 (1)	—	—	—	—
YA29A9	250 kcmil	3/8	1	1.26	0.83	3.09	0.41	0.33	0.42	—	Y / PAT81KFT (2)	U29ART (2) P32D (1) P34PR-5	Red	324	1-9/16
YA29A1		1/2	1	1.26	1.36	3.53	0.63	0.33	0.73	—	Y / PAT644 (1)	U29ART (2)	Red	324	1-5/8
YA30A6	300 kcmil 4/0 AWG CCA DLO (329/22)	3/8	1	1.38	1.37	3.90	0.63	0.36	0.74	—	Y / PAT81KFT (2)	U30ART (2)	Blue	470	1-3/4
YA30A1		1/2	1	1.38	1.37	3.90	0.63	0.36	0.74	—	Y / PAT644 (1)	—	—	—	—
YA31A1	350 kcmil 250 kcmil CCA DLO (399/22)	1/2	1	1.52	1.37	4.33	0.63	0.39	0.74	—	Y / PAT644 (1) Y / PAT81KFT (3)	U31ART (2)	Brown	299	2 1/8
YA32A9	400 kcmil	3/8	1	1.62	0.83	3.95	0.41	0.43	0.42	—	—	—	—	—	2-5/16
YA32A3		1/2	2	1.62	3.11	6.15	0.63	0.43	0.73	—	Y / PAT644 (1) Y / PAT81KFT (4)	U32ART (4)	Green	472	2
YA32A1		5/8	1	1.62	1.88	4.92	0.88	0.43	1.00	—	—	—	—	—	2 1/2
YA34A1	500 kcmil 350 kcmil CCA DLO (551/22)	5/8	1	1.80	1.91	5.56	0.88	0.46	1.03	—	Y / PAT644 (1) Y / PAT81KFT (4)	U34ART (4)	Pink	300	2 5/8

• Contact BURNDY® for conductor, stud sizes and hole drillings not shown.

▲ See tooling section of this catalog for complete tool and die listings.

① No color code assigned.

‡ UL Listed for Aluminum only.

* Use PUADP-1 adaptor with U dies in Y46 Hypress™.

♦ For applications greater than 2000 Volts consult cable manufacturer for voltage stress relief instructions.

Note: All dimensions shown are for reference only.

TYPES YA-A AND YA-A-TN

1-HOLE DESIGN

UL Listed 90° C, Up to 35 kV ♦

(Continued)



AL9CU



NOTE: Field bending straight lugs to achieve an angular connection will void UL Listing / CSA Certifications and BURNDY will not be liable for the connection.

C-201

Catalog Number	Code Conductor	Stud Size	No. of Holes in Pad	Dimensions						Installation Tooling ▲					Wire Strip Length
				C	D	L	N	T	Z	Dieless (# of crimps)		Y35, Y39, Y750, Y46*		▲ Die Index	
										Mechanical Tooling	Hydraulic HYPRESS™	Die Number (# of crimps)	Color Code		
YA36A1	600 kcmil 500 kcmil CCA DLO (779/22) *900 Compact AL	5/8	1	1.97	1.88	5.82	0.88	0.52	1.00	—	Y / PAT644 (1) Y / PAT81KFT (4)	U36ART (4)	Black	473	2 7/8
YA39A1	700 - 750 kcmil	1/2	1	2.05	1.34	5.26	0.63	0.43	0.71	—	Y / PAT644 (1) Y / PAT81KFT (4)	U39ART-2 (4)	Yellow	936	2 7/8
YA39A3	900 kcmil Class B Compact Only	5/8	1	2.05	1.88	5.80	0.88	0.43	1.00						
YA39A34	600 kcmil CCA DLO (925/22)	3/4	1	2.05	2.19	6.17	1.00	0.43	1.19						
YA42A1	900 kcmil	1/2	1	2.14	1.36	5.32	0.63	0.39	0.71	—	Y / PAT644 (2)	U42ART (4)^	Gray	303	2 7/8
YA42A3	AL600 kcmil CU	5/8	1	2.14	1.36	5.32	0.66	0.39	1.00						
YA44A1	800 kcmil 1000 kcmil 750 kcmil CCA DLO (1194/22) 800 kcmil CCA DLO (1258/22)	5/8	1	2.50	1.89	6.50	0.88	0.66	1.01	—	—	P44ART** (4)	Gray	474	3

• Contact BURNDY® for conductor, stud sizes and hole drillings not shown.

▲ See tooling section of this catalog for complete tool and die listings.

① No color code assigned.

‡ UL Listed for Aluminum only.

* Use PUADP-1 adaptor with U dies in Y46 Hypress™.

♦ For applications greater than 2000 Volts consult cable manufacturer for voltage stress relief instructions.

Note: All dimensions shown are for reference only.

TYPE YA-A

HYLUG™

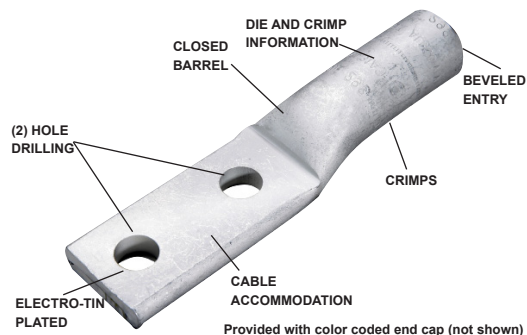
C-202

UNINSULATED ALUMINUM COMPRESSION TERMINAL FOR ALUMINUM AND COPPER CONDUCTORS

2-HOLE AND 4-HOLE DESIGNS

UL Listed 90° C, Up to 35 kV ♦

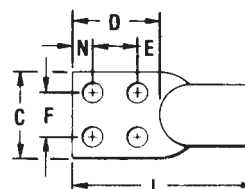
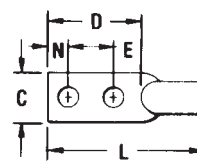
Type YA-A 2- and 4-hole pads inhibit connector rotation and increase area contact. These aluminum terminals have the same design features and benefits as the 1-hole YA-A with an added stud hole for a more secure termination to various types of equipment pads. They are dual-rated for use on both aluminum and copper conductors.



NOTE: Field bending straight lugs to achieve an angular connection will void UL Listing / CSA Certifications and BURNDY will not be liable for the connection.

Features & Benefits

- Aluminum terminals are dual rated to accommodate both copper and aluminum wire and are indicated with AL-CU on the connector
 - AL9CU indicates the terminal can accommodate aluminum and copper wire and is UL Listed 90°C, up to 35kV
 - AL7CU indicates the terminal can accommodate aluminum and copper wire and is UL Listed 75°C, up to 35kV
- Barrel is designed with an internal chamfer at the wire entry to ensure smooth insertion of the wire, preventing possible damaging of the wire strands during insertion
- 45° and 90° angular lugs are available; please contact Customer Service
- Electro-tin plated unless otherwise specified to reduce galvanic corrosion (bimetallic) and resist corrosive elements
- Connectors are clearly marked with wire size, die index, color code, and crimp locations bands
- Factory pre-filled with PENETROX™ A13 oxide inhibitor
- Color coded end caps are factory inserted in the barrels to match the die color code; prevent foreign materials from entering the barrel
- Aluminum oxidation is not easily detected but causes resistance in a connection; it is imperative the proper preparation takes place prior to making an aluminum-to-aluminum connection



Y644HSXT DIELESS HYPRESS™ RANGE-TAKING CAPABILITIES

The following size HYDENT™ lugs and two way splices, when crimped with the Y / PAT644 DIELESS HYPRESS™ tool, produce the following range taking capabilities:

Aluminum Connectors					
Standard Wire Size	Expanded Wire Range	Standard Wire Size	Expanded Wire Range	Standard Wire Size	Expanded Wire Range
#6 AWG	#6 AWG	1/0 AWG	1/0 - #1 AWG	250 kcmil	250 kcmil - 1/0 AWG
#4 AWG	#4 - #6 AWG	2/0 AWG	2/0 - #1 AWG	300 kcmil	300 kcmil - 2/0 AWG
#2 AWG	#2 - #6 AWG	3/0 AWG	3/0 - #1 AWG	350 kcmil	350 kcmil - 3/0 AWG
#1 AWG	#1 - #2 AWG	4/0 AWG	4/0 - #1 AWG	400 kcmil	400 kcmil - 4/0 AWG
				500 kcmil	500 kcmil - 4/0 AWG
				600 kcmil	600 - 250 kcmil
				750 kcmil	750 - 500 kcmil

TYPE YA-A

HYLUG™

UNINSULATED ALUMINUM COMPRESSION TERMINAL FOR ALUMINUM AND COPPER CONDUCTORS

2-HOLE AND 4-HOLE DESIGNS

UL Listed 90° C, 600 Volts to 35 kV ♦

(Continued)



AL9CU



NOTE: Field bending straight lugs to achieve an angular connection will void UL Listing / CSA Certifications and BURNDY will not be liable for the connection.

C-203

Catalog Number	Code Conductor	Stud Size	No. of Holes in Pad	Dimensions							Installation Tooling ▲					Wire Strip Length	
				C	D	E & F	L	N	T REF.	Z MIN.	Dieless (# of crimps)		Y35, Y39, Y750, Y46*	Die Number (# of crimps)	Color Code		▲ Die Index
											Mech. Tooling	Hydraulic HYPRESS					
YA2CA9	2 str.	1/2	2	0.88	3.11	1.75	4.73	0.63	0.16	0.73	MY29-3 (1)	Y / PAT644 (1) Y / PAT81KFT (1)	U2CART (1)	Pink	348	1-1/8	
YA25A7	1/0 str.	1/2	2	1.03	3.10	1.75	4.59	0.63	0.17	0.72	MY29-3 (1)	Y / PAT644 (1) Y / PAT81KFT (2)	U25ART (1)	Tan	296	1-1/16	
YA25A5		3/8	2	0.82	2.24	1.06	3.73	0.63	0.21	0.55							
YA26A3	2/0 str.	1/2	2	1.03	3.11	1.75	4.78	0.63	0.20	0.73	MY29-3 (2)	Y / PAT644 (1) Y / PAT81KFT (2)	U26ART (2)	Olive	297	1-3/8	
YA26A5		3/8	2	0.92	1.89	1.00	3.56	0.44	0.24	0.45							
YA27A7	3/0 str.	3/8	2	1.04	1.89	1.00	3.79	0.44	0.26	0.45	MY29-3 (2)	Y / PAT644 (1) Y / PAT81KFT (2)	U27ART (2)	Ruby	467	1-1/2	
YA27A5		1/2	2	1.04	3.06	1.75	5.02	0.63	0.26	0.74							
YA28A7	4/0 str.	3/8	2	1.17	1.89	1.00	3.97	0.44	0.30	0.45	MY29-3 (2)	Y / PAT644 (1) Y / PAT81KFT (2)	U28ART (2)	White	298	1-5/8	
YA28A5		1/2	2	1.17	3.11	1.75	5.19	0.63	0.30	0.73							
YA29A5	250 kcmil	3/8	2	1.26	1.89	1.00	4.06	0.44	0.33	0.45	—	Y / PAT644 (1) Y / PAT81KFT (2)	U29ART (2)	Red	324	1-5/8	
YA29A3		1/2	2	1.26	3.11	1.75	5.28	0.63	0.33	0.73							
YA30A5	300 kcmil	3/8	2	1.38	1.89	1.00	4.42	0.44	0.36	0.45	—	Y / PAT644 (1) Y / PAT81KFT (2)	U30ART (2)	Blue	470	1-3/4	
YA30A3	4/0 AWG CCA DLO (329/22)	1/2	2	1.38	3.11	1.75	5.64	0.63	0.36	0.73							
YA31A5	350 kcmil	3/8	2	1.52	1.89	1.00	4.85	0.44	0.39	0.45	—	Y / PAT644HS (1) Y / PAT81KFT (3)	U31ART (2)	Brown	299	2 1/8	
YA31A3	250 kcmil CCA DLO (399/22)	1/2	2	1.52	3.11	1.75	6.07	0.63	0.39	0.73							
YA32A5	400 kcmil	3/8	2	1.62	1.89	1.00	4.93	0.44	0.43	0.45	—	Y / PAT644HS (1) Y / PAT81KFT (3)	U32ART (4)	Green	472	2	
YA32A3		1/2	2	1.62	3.11	1.75	6.15	0.63	0.43	0.73							
YA34A5	500 kcmil	3/8	2	1.80	1.89	1.00	5.54	0.44	0.46	0.45	—	Y / PAT644 (1) Y / PAT81KFT (4)	U34ART (4)	Pink	300	2 5/8	
YA34A3	350 kcmil CCA DLO (551/22)	1/2	2	1.62	3.15	1.75	6.80	0.63	0.46	0.77							
YA36A5	600 kcmil	3/8	2	1.97	1.89	1.00	5.64	0.69	0.52	0.45	—	Y / PAT644HS (1) Y / PAT81KFT (4)	U36ART (4)	Black	473	2 7/8	
YA36A3	500 kcmil CCA DLO (779/22) *900 Compact AL	1/2	2	1.62	3.15	1.75	7.09	0.63	0.52	0.77							

• Contact BURNDY® for conductor, stud sizes and hole drillings not shown.

▲ See tooling section of this catalog for complete tool and die listings.

‡ Use Y60 BHU HYPRESS™ with L46ART and L48ART die sets.

* Use PUADP-1 adaptor with U dies in Y46 HYPRESS™.

** P39ART and P44ART die sets for use with Y46 HYPRESS™ only. PUADP-1 adaptor not required.

+ Tested with Y644HSXT and PAT644 dieless tools only and not UL Listed with any tool on 900 Compact AL.

♦ For applications greater than 2000 Volts consult cable manufacturer for voltage stress relief instructions.

▲ U die for 900 AL only

▲▲ 75° C Rated

Note: All dimensions shown are for reference only.

Compression Connections

BURNDY®

Aluminum Compression — Tin Plated — For Aluminum & Copper Conductors

TYPE YA-A

HYLUG™

C-204

UNINSULATED ALUMINUM COMPRESSION TERMINAL FOR ALUMINUM AND COPPER CONDUCTORS

2-HOLE AND 4-HOLE DESIGNS

UL Listed 90° C, 600 Volts to 35 kV ♦

(Continued)



AL9CU



NOTE: Field bending straight lugs to achieve an angular connection will void UL Listing / CSA Certifications and BURNDY will not be liable for the connection.

Catalog Number	Code Conductor	Stud Size	No. of Holes in Pad	Dimensions							Installation Tooling ▲					Wire Strip Length
				C	D	E & F	L	N	T REF.	Z MIN.	Dieless (# of crimps)		Y35, Y39, Y750, Y46*		▲ Die Index	
											Mech. Tooling	Hydraulic HYPRESS	Die Number (# of crimps)	Color Code		
YA39A7	700 - 750 kcmil	3/8	2	2.05	1.89	1.00	5.81	0.44	0.43	0.45	—	Y / PAT644 (1) Y / PAT81KFT (4)	U39ART-2 (4)	Yellow	936	2 7/8
YA39A5	+900 kcmil	1/2	2	1.62	3.15	1.75	7.07	0.63	0.43	0.77			P39ART** (4)	Red	301	2 7/8
YA39AM2	Class B Compact Only 600 kcmil CCA DLO (925/22)	1/2	2	1.69	3.12	1.75	7.31	0.63	0.57	0.74	—	—	P39ART** (4)	Red	301	2 7/8
YA42A7	900 kcmil AL	3/8	2	2.14	3.13	1.00	5.96	0.44	0.39	0.45	—	Y / PAT644 (2)	U42ART (4)^	Gray	303	2 7/8
YA42A5	600 kcmil Cu	1/2	2	1.62	3.13	1.75	7.09	0.63	0.39	0.77			P44ART** (4)	Brown	302	3
YA44A3	1000 kcmil	1/2	2	1.65	3.15	1.75	7.76	0.63	0.55	0.77	—	—	P44ART** (4)	Brown	302	3
YA45A5	^^1250 kcmil 900 kcmil CCA DLO (1406/22) 1000 kcmil CCA DLO (1554/22)	1/2	2	2.59	3.12	1.75	7.73	0.63	0.51	0.74	—	—	P44ART** (4)	Brown	302	3
YA46A3	^^1500 kcmil	1/2	2	3.08	3.15	1.75	8.73	0.63	0.81	0.77	—	—	L46ART (2)	Blue	478	2 3/4
YA46A5		1/2	4	3.08	3.15	1.75	8.73	0.63	0.81	0.77			L48ART (2)	Red	479	4 1/8
YA48A3	^^2000 kcmil	1/2	2	3.57	3.11	1.75	8.49	0.63	0.90	0.73	—	—	L48ART (2)	Red	479	4 1/8

- Contact BURNDY® for conductor, stud sizes and hole drillings not shown.
- ▲ See tooling section of this catalog for complete tool and die listings.
- ‡ Use Y60 BHU HYPRESS™ with L46ART and L48ART die sets.

- * Use PUADP-1 adaptor with U dies in Y46 HYPRESS™.
- ** P39ART and P44ART die sets for use with Y46 HYPRESS™ only. PUADP-1 adapter not required.
- + Tested with Y644HSXT and PAT644 dieless tools only and not UL Listed with any tool on 900 Compact Al.

- ♦ For applications greater than 2000 Volts consult cable manufacturer for voltage stress relief instructions.
- ^ U die for 900 AL only
- ^^ 75° C Rated
- Note:** All dimensions shown are for reference only.

TYPE YA-A-KIT

TRANSFORMER LUG KIT

Each kit contains the UL Listed and CSA Certified AL9CU rated aluminum compression connectors and tongue mounting hardware needed to terminate aluminum or copper cables in “dry type” transformers. The KVA rating gives an approximate cross reference to the appropriate kit.



C-205

NOTE: Field bending straight lugs to achieve an angular connection will void UL Listing / CSA Certifications and BURNDY will not be liable for the connection.

Features & Benefits

- UL Listed AL9CU dual rated compression terminals and CSA Certified; ensure the transformer feeders and taps are terminated properly
- Plated steel cap screws and hex nuts with captive conical washers or individual belleville washers
- Terminal to bus connections are made using proper hardware resulting in true torque to pressure performance, compensates for dissimilar metal expansion and contraction
- Hardware packed in plastic bag; no lost hardware prior to installation

Catalog Number	KVA	Terminals		Wire Range with Y / PAT644	Bolt		Hardware		Washer	
		Qty.	Cat. No.		Qty.	Size	Qty.	Nut	Qty.	Type
YA-A-KIT1	15-37.5 1Ø	8	YA2C-A5	#6-2 AWG	8	1/4-20 X 3/4	8	1/2 x 20HN	Captive	
	15-45.3 3Ø	4	YA30-A7	2/0 AWG-300 kcmil	8	1/4-20 X 3/4	8	1/2 x 20HN	Captive	
YA-AKIT2	50-75 1Ø	12	YA30-A7	2/0 AWG-300 kcmil	8	1/4-20 X 3/4	16	1/4 X 20HN	Captive	
	75-112.5 3Ø	12	YA30-A7	2/0 AWG-300 kcmil	8	1/4-20 X 2	16	1/4 X 20HN	Captive	
YA-AKIT3	100-167 1Ø	3	YA30-A7	2/0 AWG-300 kcmil	3	1/4-20 X 3/4	3	1/4 X 20	Captive	
	150-300 3Ø	22	YA39-A1	500-750 kcmil	16	1/2-13 X 2	16	1/2-13	16	1/2" Belleville

HH- Hex Head

HN- Hex Nut

See Mechanical section for set screw terminal kits.

Note: All dimensions shown are for reference only.

TYPE AYP, AYPO

HYPLUG™

C-206

FOR ALUMINUM AND COPPER CONDUCTOR

UL Listed 90° C, Up to 35 kV ♦



AL9CU

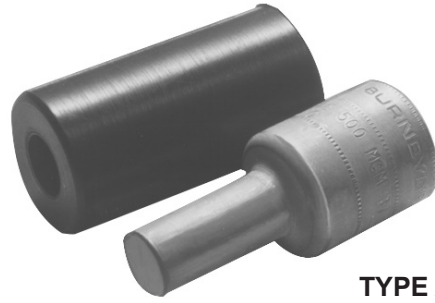


AL9

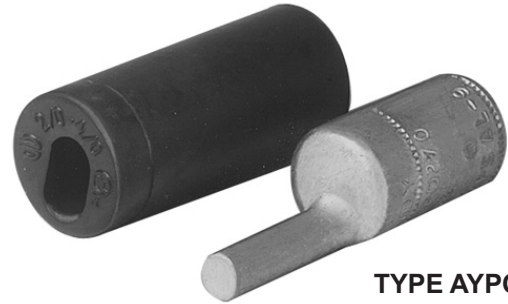
Types AYP and AYPO aluminum compression adaptors are designed for reliable termination of aluminum and copper conductor in mechanical connectors. Typical applications include mechanical connectors in molded case circuit breakers, panel board equipment and meter sockets.

Features & Benefits

- Aluminum pin terminals are dual rated to accommodate both copper and aluminum wire and are indicated with AL-CU on the connector
 - AL9CU indicates the terminal can accommodate aluminum and copper wire and is UL Listed 90°C, up to 35kV
 - AL7CU indicates the terminal can accommodate aluminum and copper wire and is UL Listed 75°C, up to 35kV
- Short pin length design permits easy installation in limited space applications; rated for the full ampacity of the incoming conductor
- Smooth surface on the pin allows for greater contact area and electrical connectivity
- Solid pin design eliminates “how tight is tight” torque requirement problem and eliminates over torquing on stranded pin adaptors that can result in damaged strands for increased resistance
- Barrel is designed with an internal chamfer at the wire entry to ensure smooth insertion of the wire, preventing possible damaging of the wire strands during insertion
- Electro-tin plated unless otherwise specified to reduce galvanic corrosion (bimetallic) and resist corrosive elements
- Connectors are clearly marked with wire size, die index, color code, and crimp locations bands
- Factory pre-filled with PENETROX™ A13 oxide inhibitor
- Color coded end caps are factory inserted in the barrels to match the die color code; prevent foreign materials from entering the barrel



TYPE AYP



TYPE AYPO

- Covers are supplied with connectors
 - EPDM rubber covers are UL Listed/CSA Certified and rated up to 600 Volts and 90°C
 - Santoprene rubber covers are also UL Listed/CSA Certified and rated up to 600 Volts and 90°C
- Aluminum oxidation is not easily detected but causes resistance in a connection; it is imperative the proper preparation takes place prior to making an aluminum-to-aluminum connection
- The connector comes in an in-line pin (Type AYP) and offset pin design (Type AYPO)
- Offset pin design provides added flexibility in limited space as the connectors can be rotated preventing wire interference when installing cable side-by-side to a mechanical connector
- Only 5 dies sets install the complete line of HYPLUG™ adaptors from #6 AWG up to 750 kcmil

Y / PAT644 DIELESS HYPRESS™

RANGE-TAKING

CAPABILITIES

The following HYPLUG™ lugs and two way splices, when crimped with the Y / PAT644 DIELESS HYPRESS™ tool, produce the following range-taking capabilities for Aluminum Conductor only:

♦ For applications greater than 2000 Volts consult cable manufacturer for voltage stress relief instructions.

Aluminum Conductors Only					
Standard Wire Size	Expanded Wire Range	Standard Wire Size	Expanded Wire Range	Standard Wire Size	Expanded Wire Range
#6 AWG	#6 AWG	3/0 AWG	3/0 - #1 AWG	500 kcmil	500 kcmil - 4/0 AWG
#4 AWG	#4 - #6 AWG	4/0 AWG	4/0 - #1 AWG	600 kcmil	600 - 250 kcmil
#2 AWG	#2 - #6 AWG	250 kcmil	250 kcmil - 1/0 AWG	750 kcmil	750 - 500 kcmil
#1 AWG	#1 - #2 AWG	300 kcmil	300 kcmil - 2/0 AWG	900 kcmil	900 - 600 kcmil
1/0 AWG	1/0 - #1 AWG	350 kcmil	350 kcmil - 3/0 AWG		
2/0 AWG	2/0 - #1 AWG	400 kcmil	400 kcmil - 4/0 AWG		

TYPES AYP, AYPO

HYPLUG™

FOR ALUMINUM AND COPPER CONDUCTOR

UL Listed 90° C, Up to 35 kV ♦
(Continued)

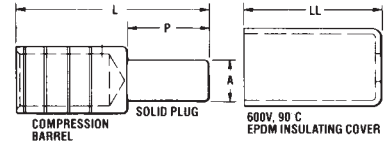


Fig 1: TYPE AYP (Straight)

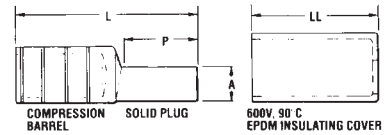


Fig 2: TYPE AYPO (Offset)

Catalog Number	Copper & Aluminum Conductor	Fig. No.	Dimensions					Installation Tooling ▲						Wire Strip Length
			A ▼ Pin Dia.	Pin Size Equiv.	Overall Length	L Pin Length	LL Cover Length	HYTOOLS			Y35, Y39, Y750, Y46*		▲ Die Index & Emboss.	
								Dieless Tools (# of crimps)	+ OH25	+ MD6	Die Number (# of crimps)	Color Code		
AYP6	6 AWG	1	0.23	4 AWG	0.68	1.85	2.03	MY29-3 (2) ** Y / PAT644 (1) Y / PAT81KFT (1)	1 crimp	W241	U25ART (1)	Tan	296	1-1/16
AYP4	4 AWG	1	0.23	4 AWG	0.68	1.85	2.03							
AYP2	2 AWG	1	0.23	4 AWG	0.68	1.85	2.03							
AYP1	1 AWG	1	0.26	3 AWG	0.84	2.01	2.03							
AYP1/0	1/0 AWG	1	0.29	2 AWG	0.84	2.01	2.03							
AYPO2/0	2/0 AWG	2	0.33	1 AWG	1.09	2.70	2.23	MY29-3 (2) ** Y / PAT644 (1) Y / PAT81KFT (1)	—	—	U28ART (2)	White	298	1-1/8
AYPO3/0	3/0 AWG	2	0.37	1/0 AWG	1.22	2.80	2.23		—	—	U28ART (2)	White	298	1-1/8
AYPO4/0	4/0 AWG	2	0.42	2/0 AWG	1.22	2.80	2.23	Hydraulic: Y / PAT644 (1) Y / PAT81KFT (2)	—	—	U28ART (2)	White	298	1-1/8
AYP250	250 kcmil	1	0.47	3/0 AWG	1.16	2.63	2.54		—	—	U31ART (2)	Brown	299	1-1/8
AYPO250	250 kcmil	2	0.47	3/0 AWG	1.22	2.98	2.54		—	—	U31ART (2)	Brown	299	1-1/8
AYPO300	300 kcmil	2	0.53	4/0 AWG	1.34	3.08	2.54		—	—	U31ART (2)	Brown	299	1-1/8
AYP350	350 kcmil	1	0.57	250 kcmil	1.34	2.75	2.54		—	—	U31ART (2)	Brown	299	1-1/8
AYPO350	350 kcmil	2	0.57	250 kcmil	1.34	3.08	2.54		—	—	U31ART (2)	Brown	299	1-1/8
AYPO400	400 kcmil	2	0.63	300 kcmil	1.60	3.43	2.81		—	—	U34ART (2)	Pink	300	1-1/8
AYP500	500 kcmil	1	0.68	350 kcmil	1.60	3.08	2.81		—	—	U34ART (2)	Pink	300	1-1/8
AYPO500	500 kcmil	2	0.68	350 kcmil	1.60	3.43	2.81		—	—	U34ART (2)	Pink	300	1-1/8
AYPO600	600 kcmil	2	0.73	400 kcmil	1.64	4.02	3.69		—	—	U39ART-2 (3)	Yellow	936	1-3/4
AYP750	700 - 750 kcmil	1	0.81	500 kcmil	1.76	3.79	3.69	Y / PAT644 (1) Y / PAT81KFT (3)	—	—	U39ART-2 (3)	Yellow	936	1-3/4
AYPO750	700 - 750 kcmil +900 Compact AL	2	0.81	500 kcmil	1.76	4.16	3.69		—	—	U39ART-2 (3)	Yellow	936	1-3/4
AYP900	900 kcmil AL	1	0.91	650 kcmil	1.82	4.10	4.20	Y / PAT644 (1) Y / PAT81KFT (3)	—	—	U42ART (4)	Gray	303	1-5/8
AYPO900	& 600 kcmil CU	2	0.91	650 kcmil	1.82	4.16	4.20		—	—	U42ART (4)	Gray	303	1-5/8
AYPO1000***	1000 kcmil	1	0.81	650 kcmil	1.76	4.17	—	—	—	—	P44ART (4)	Brown	302	1-3/4

Scratch brush aluminum conductor before installation.
▲ See tooling section of this catalog for complete tool and die listings.
** For MY29-3 use aluminum index plate at 1/0 setting for sizes #6 through 1/0 or at 4/0 setting for sizes 2/0 through 4/0.
+ Not UL Listed with these tools.

* Use PUADP-1 adaptor with U dies in Y46 HYPRESS™.
■ Also accommodates compressed and compact conductors (except for 700 kcmil in 750 kcmil barrel).
+ Tested with Y644HSXT and PAT644XT-18V dieless tools only and not UL Listed with any tool on 900 Compact AL.

***Does not come with a cover. Not UL Listed.
♦ For applications greater than 2000 Volts consult cable manufacturer for voltage stress relief instructions.
Note: All dimensions shown are for reference only.
▼ For copper equivalent wire size see page O-11 (Aluminum 1350 Cable).
Note: CSA certified for AL Conductor only.

TYPE YS-A

HYLINK™



C-208

UNINSULATED ALUMINUM COMPRESSION SPLICE

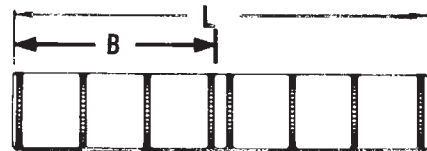
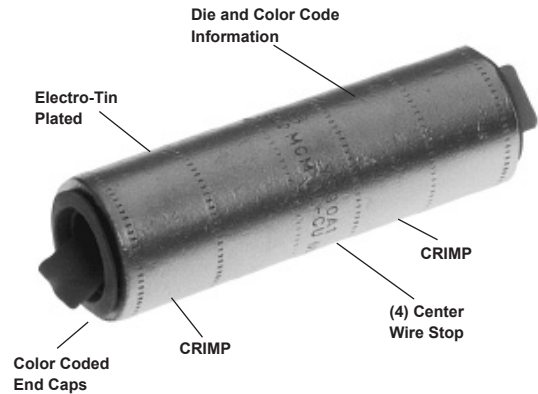
UL Listed 90° C, Up to 35 kV ♦

Type YS-A is a high-conductivity aluminum tin-plated compression butt splice for use on all combinations of aluminum to aluminum, aluminum to copper, and copper to copper conductor combinations.

They are designed to accommodate conductors from #12 str. through 1,000 kcmil in standard and heavy duty applications. Prefilled with PENETROX™ oxide inhibiting compounds and assembled with color-coded end caps, the connectors provide a permanent trouble-free electrical splice with flexibility and low installed cost.

Features & Benefits

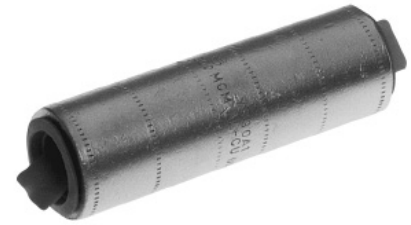
- Aluminum splices are dual rated to accommodate both copper and aluminum wire and are indicated with AL-CU on the connector
 - AL9CU indicates the terminal can accommodate aluminum and copper wire and is UL Listed 90°C, up to 35kV
 - AL7CU indicates the terminal can accommodate aluminum and copper wire and is UL Listed 75°C, up to 35kV
- Barrel is designed with an internal chamfer at the wire entry to ensure smooth insertion of the wire, preventing possible damaging of the wire strands during insertion
- Electro-tin plated unless otherwise specified to reduce galvanic corrosion (bimetallic) and resist corrosive elements
- Connectors are clearly marked with wire size, die index, color code, and crimp locations bands
- Factory pre-filled with PENETROX™ A13 oxide inhibitor
- Color coded end caps are factory inserted in the barrels to match the die color code; prevent foreign materials from entering the barrel
- Aluminum oxidation is not easily detected but causes resistance in a connection so it is imperative that the proper preparation takes place prior to making an aluminum-to-aluminum connection



TYPE YS-A

UNINSULATED ALUMINUM COMPRESSION SPLICE

UL Listed 90° C, Up to 35 kV ♦
(Continued)



C-209

Catalog Number	Code • Conductor	Dimensions		Installation Tooling ▲					Wire Strip Length	
				Dieless (# of crimps/end)		Y35, ■ Y39, Y750, Y46*		▲ Die Index & Embossment		
		B	L	Mechanical HYTOOL™	Hydraulic HYPRESS™	Die Number (# of crimps per end)	Color Code			
YS12AG1	#12 Str.	0.45	1.03	Ratchet: MR8-27 (1)	—	—	—	①	—	5/8
YS10WAG1	#10 Sol.	0.50	1.12		—	—	—	—	—	5/8
YS8CA1	8 Str.	0.59	1.44	MY29-3 (1) MRC840AL (1)	Y / PAT644 (1) Y / PAT81KFT (1)	U8CABT (1)	Blue	374	374	5/8
YS6CA1	6 Str.	0.72	1.70			U6CABT (1)	Gray	346	346	3/4
YS4CA1	4 Str.	0.86	1.97	MY29-3 (1) MRC840AL (2)	Y / PAT644 (1) Y / PAT81KFT (2)	U4CABT (1)	Green	375	375	7/8
YS2CA1	2 Str.	1.09	2.44			U2CABT (1)	Pink	348	348	1-1/8
YS1CA1	1 Str.	0.90	2.05	MY29-3 (2) MRC840AL (3)	Y / PAT644 (1) Y / PAT81KFT (2)	U1CART (1)	Gold	471	471	15/16
YS25A1	1/0 Str.	1.06	2.37			U25ART (1)	Tan	296	296	1-1/16
YS26A1	2/0 str.	1.18	2.61	MY29-3 (2) MRC840AL (3)	Y / PAT644 (1) Y / PAT81KFT (2)	U26ART (2)	Olive	297	297	1-3/8
YS27A1	3/0 str.	1.31	2.88			U27ART (2)	Ruby	467	467	1-1/2
YS28A1	4/0 str.	1.40	3.06	MY29-3 (2) MRC840AL (3)	Y / PAT644 (1) Y / PAT81KFT (2)	U28ART (2)	White	298	298	1-5/8
YS29A1	250kcmil	1.46	3.18			U29ART (2)	Red	324	324	1-5/8
YS30A1	300 kcmil	1.47	3.20	—	Y / PAT644 (1) Y / PAT81KFT (2)	U30ART (2)	Blue	470	470	1-3/4
YS31A1	350 kcmil	1.89	4.04	—	Y / PAT644 (1) Y / PAT81KFT (2)	U31ART (2)	Brown	299	299	2-1/8
YS32A1	400kcmil	2.30	4.86	—	Y / PAT644 (1) Y / PAT81KFT (4)	U32ART (2)	Green	472	472	2-1/2
YS34A1	500 kcmil	2.38	5.02			U34ART (2)	Pink	300	300	2-5/8
YS36A1	600 kcmil	2.44	5.14	—	Y / PAT644 (1) Y / PAT81KFT (4)	U36ART (4)	Black	473	473	2-7/8
YS39A1	700 kcmil 750 kcmil +900 Compact Al	2.50	5.26			U39ART-2 (4)	Yellow	936	936	2-7/8
YS39AM1	700 kcmil 750 kcmil +900 Compact Al	2.63	5.58	—	Y / PAT644 (1) Y / PAT81KFT (4)	P39ART** (4)	Red	301	301	2-7/8
YS42A1	600 - 900 kcmil	2.50	5.26	—	Y / PAT644 (2)	U42ART (4)	Gray	303	303	2-7/8
YS44A1	1000 kcmil	2.84	5.94			P44ART** (4)	Brown	302	302	3
YS45A1 ^{AA}	1250 kcmil	2.84	6.21	—	—	P48PR1/ L44ART** (6)	Brown	302	302	2.88
YS46A1 ^{AA}	1500 kcmil	3.40	7.05			L46ART*** (2)	Blue	478	478	3.38
YS47A1 ^{AA}	1750 kcmil	3.99	8.31	—	—	L47ART*** (2)	White	587	587	4
YS48A1 ^{AA}	2000 kcmil	3.66	7.58			L48ART*** (2)	Red	479	479	3.63
YS483A1 ^{AA}	2250 kcmil ALUMINUM ONLY	3.66	7.58	—	—	L48ART*** (2)	Red	479	479	3.63

▲ See tooling section of this catalog for complete tool and die listing.

① No color code assigned.

‡ UL Listed for Aluminum only. Not CSA Certified.

+ Tested with Y644HSXT and PAT644XT-18V dieless tools only and not UL Listed with any tool on 900 Compact Al.

* Use PUADP-1 adaptor with U dies in Y46 HYPRESS™.

■ The largest size for the Y35 is 400 kcmil.

♦ For applications greater than 2000 Volts consult cable manufacturer for voltage stress relief instructions.

● Also accommodates compressed and compact conductors (except for 700 kcmil in 750 kcmil barrel).

^{AA} 75°C Rated

Note: All dimensions shown are for reference only.

Y644HSXT DIELESS HYPRESS™ RANGE-TAKING CAPABILITIES

The following HYLINK™ splices, when crimped with the Y644HSXT DIELESS HYPRESS™ tool, produce the range-taking capabilities in the table to the right.

Aluminum Splices					
Standard Wire Size	Expanded Wire Range	Standard Wire Size	Expanded Wire Range	Standard Wire Size	Expanded Wire Range
#6 AWG	#6 AWG	1/0 AWG	1/0 - #1 AWG	250 kcmil	250 kcmil - 1/0 AWG
#4 AWG	#4 - #6 AWG	2/0 AWG	2/0 - #1 AWG	300 kcmil	300 kcmil - 2.0 AWG
#2 AWG	#2 - #6 AWG	3/0 AWG	3/0 - #1 AWG	350 kcmil	350 kcmil - 3/0 AWG
#1 AWG	#1 - #2 AWG	4/0 AWG	4/0 - #1 AWG	400 kcmil	400 kcmil - 4/0 AWG
				500 kcmil	500 kcmil - 4/0 AWG
				600 kcmil	600 - 250 kcmil
				750 kcmil	750 - 500 kcmil

TYPE YS-AT

HIGH VOLTAGE UNINSULATED ALUMINUM COMPRESSION SPLICE

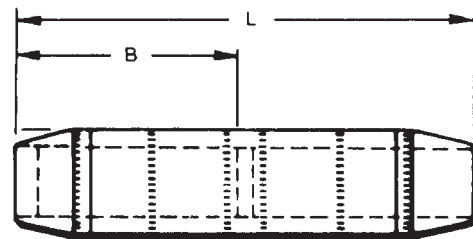
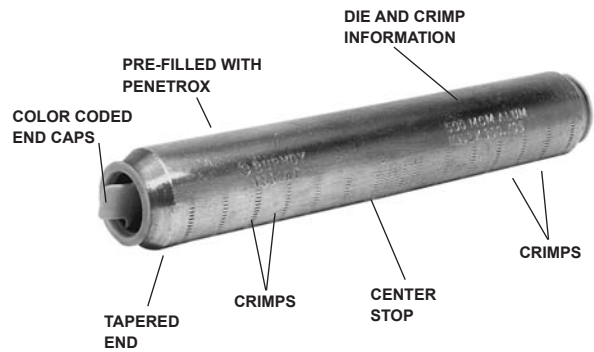
C-210

Type YS-AT is a high-conductivity aluminum electro-tin plated compression butt splice with tapered ends for high voltage applications up to 35 kV.

The YS-AT provides the same benefits as the YS-A with the addition of tapered ends for easy installation of high voltage insulating kits. Tapered ends aid in preventing corona emission and insulation breakdown. Recommended for high voltage splice applications.

Features & Benefits

- Aluminum splices are dual rated to accommodate both copper and aluminum wire and are indicated with AL-CU on the connector
 - AL9CU indicates the terminal can accommodate aluminum and copper wire and is UL Listed 90°C, up to 35kV
 - AL7CU indicates the terminal can accommodate aluminum and copper wire and is UL Listed 75°C, up to 35kV
- Barrel is designed with a taper on both ends for applications through 35kV; permits easy taping and aids in preventing corona emissions and insulation breakdown
- Barrel also features an internal chamfer at the wire entry to ensure smooth insertion of the wire, preventing possible damaging of the wire strands during insertion
- Electro-tin plated unless otherwise specified to reduce galvanic corrosion (bimetallic) and resist corrosive elements
- Connectors are clearly marked with crimp band locations
- Factory pre-filled with PENETROX™ A13 oxide inhibitor
- End caps are factory inserted in the barrels to match the die color code; prevent foreign materials from entering the barrel
- Aluminum oxidation is not easily detected but causes resistance in a connection so it is imperative that the proper preparation takes place prior to making an aluminum-to-aluminum connection



Catalog Number	• † Code Conductor	Dimensions		Installation Tooling ▲				Wire Strip Length
		B	L	Die Number	Y35, ■ Y39, Y750, Y46*	Color Code	Die Index & Embossment ▲	
YS2CAT	2str.	1.58	4.00	U2CABT	2	Pink	348	2 1/4
YS25AT	1/0 str.	1.96	4.73	U25ART	2	Tan	296	2 5/8
YS26AT	2/0 str.	1.83	4.29	U26ART	3	Olive	297	2 3/8
YS27AT	3/0 str.	2.04	4.69	U27ART	3	Ruby	467	2 5/8
YS28AT	4/0 str.	2.16	5.05	U28ART	3	White	298	2 3/4
YS29AT	250 kcmil	2.29	5.37	U29ART	3	Red	324	2 7/8
YS30AT	300 kcmil	2.54	5.91	U30ART	3	Blue	470	3 1/8
YS31AT	350 kcmil	2.68	6.23	U31ART	3	Brown	299	3 3/8
YS34AT	500 kcmil	3.39	7.79	U34ART	6	Pink	300	4 1/8
YS39AT	700/750 kcmil • 900 Compact AL ▼	3.69	8.57	P39ART**	6	Red	301	4 1/2
YS44AT	1000 kcmil 900 Compact AL ▼	3.77	9.69	P44ART**	6	Brown	302	4 3/4

† Contact BURNDY® for conductor sizes not shown.

* Use PUADP-1 adapter for U dies.

** P39ART and P44ART for use with Y46 HYPRESS™ only. PUADP-1 adapter not required.

■ The maximum size for the Y35 is 400 kcmil.

▲ See tooling section of this catalog for complete tool and die listings.

● Also accommodates compressed and compact conductors (except 700 kcmil in 750 kcmil barrel).

▼ Tested with Y644HSXT and PAT644XT-18V dieless tools only and not UL Listed with any tool on 900 Compact AL.

Note: All dimensions shown are for reference only.

TYPE YRB

HYREDUCER™

FOR ALUMINUM TO COPPER AND
ALUMINUM TO ALUMINUM

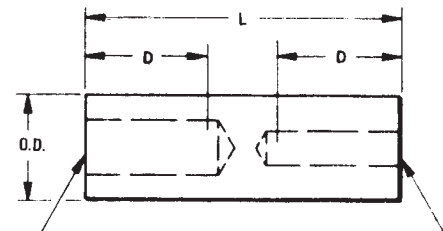
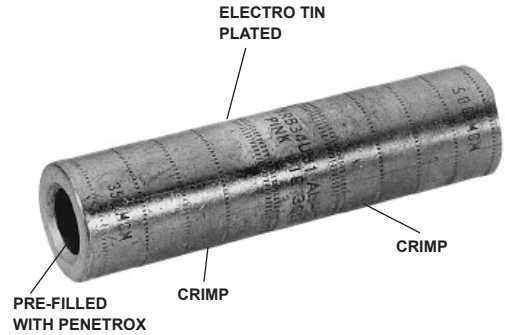


UL Listed 90° C, Up to 35 kV ♦

HYREDUCER™ type YRB reducer butt splice is designed to splice two different conductor sizes and is UL Listed for aluminum to copper and aluminum to aluminum applications. The outside diameter is held constant to minimize installation dies and is factory prefilled with PENETROX™.

Features & Benefits

- Aluminum splice reducers are dual rated to accommodate both copper and aluminum wire and are indicated with AL-CU on the connector
 - AL9CU indicates the terminal can accommodate aluminum and copper wire and is UL Listed 90°C, up to 35kV
 - AL7CU indicates the terminal can accommodate aluminum and copper wire and is UL Listed 75°C, up to 35kV
- Barrel features an internal chamfer at the wire entry to ensure smooth insertion of the wire, preventing possible damaging of the wire strands during insertion
- Electro-tin plated unless otherwise specified to reduce galvanic corrosion (bimetallic) and resist corrosive elements
- Connectors are clearly marked with crimp band locations
- Factory pre-filled with PENETROX™ A13 oxide inhibitor
- Color-coded end caps are factory inserted in the barrels to match the die color code; prevent foreign materials from entering the barrel



- The barrels are designed to accommodate larger run conductor and smaller tap conductor so the inside diameters on each end of the barrel are different
- Aluminum oxidation is not easily detected but causes resistance in a connection so it is imperative that the proper preparation takes place prior to making an aluminum-to-aluminum connection

Catalog Number	Conductor Range ● Aluminum or Copper Size †		Dimensions			Installation Tooling ▲ Hydraulic Tools, Die Sets (No. of Crimps ‡)				Wire Strip Length
	Barrel A	Barrel B	O.D.	D	L	Y35 ■, Y39, Y750, Y46*	‡	Die▲ Index	Color Code	
YRB2U4	1 str. 2 str.	4 str. 3 str.	0.65	0.88	2.00	U25ART	1	296	Tan	15/16
YRB25U2	1/0 str.	1 str. 2 str.	0.65	0.88	2.00	U25ART	1	296	Tan	15/16
YRB27U25	3/0 str.	1/0 str.	0.85	1.36	3.31	U28ART	2	298	White	1-7/16
YRB27U26	3/0 str.	2/0 str.	0.85	1.36	3.31	U28ART	2	298	White	1-7/16
YRB28U26	4/0 str.	2/0 str.	0.85	1.36	3.31	U28ART	2	298	White	1-7/16
YRB29U28	250 kcmil	4/0 str.	1.11	1.73	4.21	U31ART	2	299	Brown	1-13/16
YRB31U28	350 kcmil	4/0 str.	1.11	1.73	4.21	U31ART	2	299	Brown	1-13/16
YRB31U29	350 kcmil	250 kcmil	1.11	1.73	4.21	U31ART	2	299	Brown	1-13/16
YRB34U31	500 kcmil	350 kcmil	1.31	2.11	5.12	U34ART	4	300	Pink	2-3/16
YRB36U31	600 kcmil	350 kcmil	1.46	2.25	5.57	U39ART-2	4	936	Yellow	2-5/16
YRB36U34	600 kcmil	500 kcmil	1.46	2.25	5.57	U39ART-2	4	936	Yellow	2-5/16
YRB39U34	700/750 kcmil ● 900 Compact AL ▼	500 kcmil	1.46	2.25	5.57	U39ART-2	4	936	Yellow	2-5/16
YRB39U36	700/750 kcmil ● 900 Compact AL ▼	600 kcmil	1.46	2.25	5.57	U39ART-2	4	936	Yellow	2-5/16

† Contact BURNDY® for conductor sizes not shown.
▲ See tooling section of this catalog for complete tool and die listings.
‡ Number of crimps.
* Use PUADP-1 adaptor with U dies shown in Y46 HYPRESS™.

■ The maximum size for the Y35 is 400 kcmil.
♦ For applications greater than 2000 Volts consult cable manufacturer for voltage stress relief instructions.
● Also accommodates compressed and compact conductors (except 700 kcmil in 750 kcmil barrel).

▼ Tested with Y644HSXT and PAT644XT-18V dieless tools only and not UL Listed with any tool on 900 Compact AL.
Note: All dimensions shown are for reference only.

TYPES YFD, YFN, YFO AND YFR

H-CRIMPIT™

C-212

UNINSULATED ALUMINUM COMPRESSION TAP CONNECTOR

FOR ALUMINUM TO COPPER AND ALUMINUM TO ALUMINUM



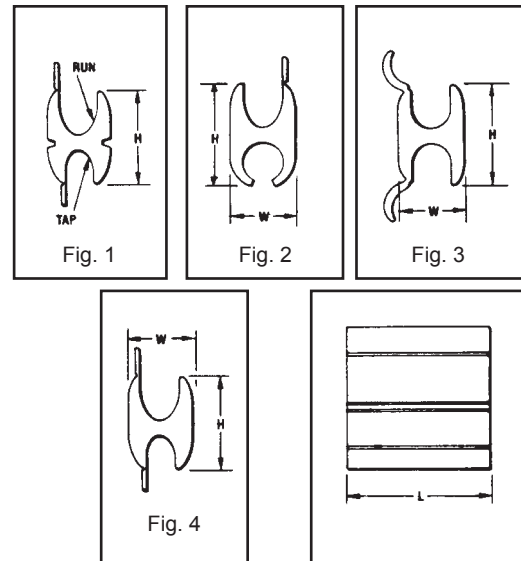
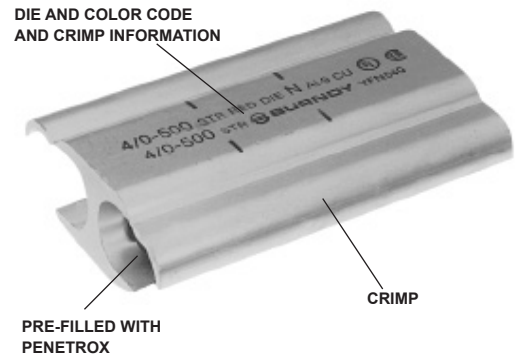
UL Listed 90° C, Up to 35 kV ♦

H-CRIMPIT™ compression tap connectors Types YFD, YFN, YFO and YFR are for use with aluminum to aluminum and aluminum to copper connections.

The H-CRIMPIT™ is ideal for making both parallel and tap compression connections in risers and gutters. It should only be installed with hydraulic tools.

Features & Benefits

- Aluminum splice reducers are dual rated to accommodate both copper and aluminum wire and are indicated with AL-CU on the connector
 - AL9CU indicates the terminal can accommodate aluminum and copper wire and is UL Listed 90°C, up to 35kV
 - AL7CU indicates the terminal can accommodate aluminum and copper wire and is UL Listed 75°C, up to 35kV
- Each connector is factory sealed in polyethylene to ensure connector is delivered free of foreign materials prior to being used
- Post crimp, the connector is easy to tape or to install an insulating CRIMPIT™ cover (see Type CFA-FR) thereby lowering installation cost
- Connectors are clearly marked
- Factory pre-filled with PENETROX™ A13 oxide inhibitor
- Aluminum oxidation is not easily detected but causes resistance in a connection so it is imperative that the proper preparation takes place prior to making an aluminum-to-aluminum connection



Accommodates ②						Catalog Number	Fig. #	H	L	W	Installation Tooling ▲						Wire Strip Length	
Copper or Aluminum		Compact ④		Dia. Range							▲ Die Index	Color Code	Hydraulic Tools, Die Sets (No. of Crimps)			Dieless Tools Die Adaptor, (No. of Crimps)		
Run	Tap	Run	Tap	Run	Tap								Y750, Y35, Y39	Y46 ③	()	Y644HSXT, Y644MBH		
1/0-6 Str	1-6 Str	2/0-6	1-6 Str	.398-.162	.332-.162	YFO-140	1	1.15	1.62	0.70	O	Green	UYFO, U-O	UYFO, U-O	(2)	PT30541	(1)	1-7/8
4/0-1 Str	2/0-1 Str	250-1/0	3/0-1/0	.563-.338	.477-.338	YFD-365	1	1.42	2.50	0.89	D3	Blue	U-D3 U-YFD	U-D3 U-YFD	(3)	PT30540	(2)	2-3/4
500-4/0	500-4/0	500-250	500-250	.815-.522	.815-.522	YFN-540	3	1.82	4.50	1.23	N	Red	U-N U-YFN	P-N P-YFN	(3)	—	—	4-7/8
900-600	600-350	900-700	600-400	1.108-.877	.893-.659	YFR-865	4	3.04	4.62	1.74	KR	Yellow	—	P-KR P-YFR	(4)	—	—	5

▲ See tooling section of this catalog for complete tool and die listings.
 † Do not use U-YFN die set with P-UADP-1 adaptor in Y46 HYPRESS™. Use P-YFN only.

♦ For applications greater than 2000 Volts consult cable manufacturer for voltage stress relief instructions.
 * CSA Listed.
 Note: All dimensions shown are for reference only.

Notes:
 1 Material: Aluminum.
 ② For Conductor combinations of AL to AL or AL to CU.
 ③ Catalog Number PUADP-1 Adaptor is required to use U type dies in Y46 tools.
 ④ Other conductors not listed in table can be accommodated as long as the conductor diameter falls within diameter range specified.

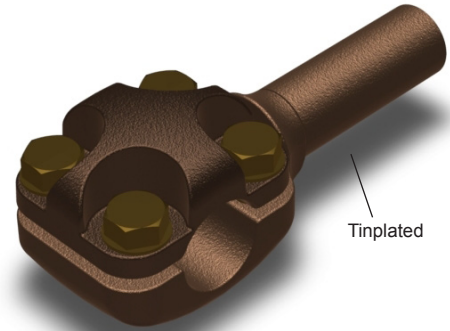
T CONNECTOR

TYPE NYT
CABLE RUN — CABLE TAP



UL Listed 90° C, Up to 35 kV ♦

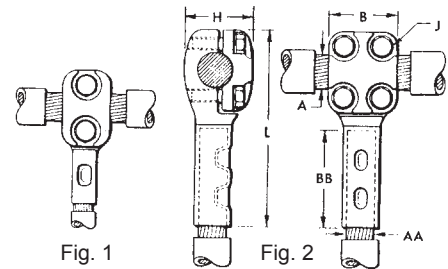
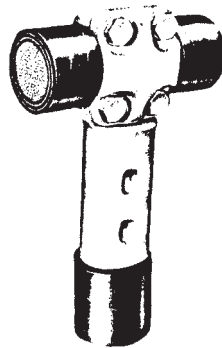
A T connector designed to provide a clamp type element on the run and a permanent HYPRESS™ connection on the tap. Recommended for use on ring buses or for applications where occasional disconnects from the run conductor are desired without disturbing the tap connection. Tin plated. For proper installation of tap cable, see table below.



C-213

Features & Benefits

- Run and tap connector manufactured with a copper cast mechanical clamp for the run conductor and a brazed copper compression barrel to accommodate the tap conductor
- This type of T-connector is used in applications when the tap connection needs to be disconnected from the run
- Accommodates a wide range of run / tap combinations
- Electro-tin plated unless otherwise specified to reduce galvanic corrosion (bimetallic) and resist corrosive elements
- Connectors are clearly marked



Catalog Number	Conductor Size		Fig. No.	Dimensions in Inches					Installation Information				# of Indents
									HYPRESS™ and Indentor Die				
									Y29B with Y29PR	Y34A with Y34PR	Y34B with Y34PR	Y48B with Y44PR	
	Run A	Tap AA		B	BB	H	J	L	Nest Die				
NYT2828	4/0 Str.	4/0 Str.	2	2	1-5/8	1-3/8	3/8	4-5/16	D28L	A28D	B28D	E28D	1
NYT2925	250 kcmil	1/0 Str.	1	1-3/8	1-3/8	1-7/16	3/8	4-1/16	D25L	A25D	B25D	—	1
NYT2929	250 kcmil	250 kcmil	2	2	1-5/8	1-7/16	3/8	4-7/16	D29L	A29D	B29D	E29D	1
NYT3426	500 kcmil	2/0 Str.	1	1-3/8	1-1/2	1-5/8	3/8	4-7/16	D26L	A26D	B26D	—	1
NYT3428	500 kcmil	4/0 Str.	2	2	1-5/8	1-5/8	3/8	4-5/8	D28L	A28D	B28D	E28D	1
NYT3429	500 kcmil	250 kcmil	2	2	1-5/8	1-5/8	3/8	4-5/8	D29L	A29D	B29D	E29D	1
NYT3434	500 kcmil	500 kcmil	2	2	2-1/4	1-5/8	3/8	5-3/8	—	A34D	No Nest Die Req.	E34D	2
NYT3929	750 kcmil	250 kcmil	2	2	1-5/8	1-7/8	3/8	4-13/16	D29L	A29D	B29D	E29D	1
NYT3934	750 kcmil	500 kcmil	2	2	2-1/4	1-7/8	3/8	5-9/16	—	A34D	No Nest Die Req.	E34D	2
NYT4429	1000 kcmil	250 kcmil	2	2	1-5/8	2-1/8	3/8	5	D29L	A29D	B29D	E29D	1
NYT4431	1000 kcmil	350 kcmil	2	2	2	2-1/8	3/8	5-7/16	—	A31D	B31D	E31D	2
NYT4434	1000 kcmil	500 kcmil	2	2	2-1/4	2-1/8	3/8	5-3/4	—	A34D	No Nest Die Req.	E34D	2
NYT4444	1000 kcmil	1000 kcmil	2	2-11/16	3	2-5/16	1/2	7	—	—	—	No Nest Die Req.	2
NYT4646	1500 kcmil	1500 kcmil	2	2-11/16	3-3/16	2-3/4	1/2	7-11/16	—	—	—	C46D*	2

♦ For applications greater than 2000 Volts consult cable manufacturer for voltage stress relief instructions.

Note: Circumferential dies may be used. For information contact BURNDY®.

Note: All dimensions shown are for reference only.

TYPE YAEBA-S

Straight Style Battery Post HYDENT™ Terminals

C-214

#6 - 4/0 AWG Solid and Stranded Copper

BURNDY post terminals are made from pure copper alloy and are tin plated to prevent corrosion. They adhere to SAE, JIS and DIN stud standards. Typical applications are automotive, marine, transportation, petrochemical, and OEM markets.

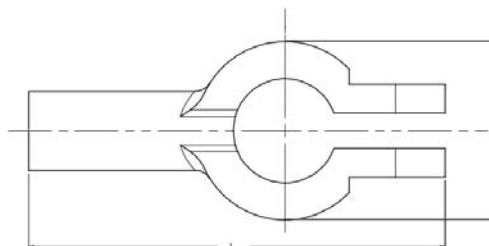
Features & Benefits

Barrel

- Color coded for easy identification
- Chamfered end
- Made of copper alloy, tin plated for corrosion resistance and RoHS compliance
- Comes standard with stainless steel hardware installed

Post

- Clamp color coded by polarity; red is positive; black is negative
- Not UL Listed but tested and met UL486A-486B pullout requirements



Catalog Number	Wire Range	Dimensions		Bulk Catalog Number	Conn. Color Code	Installation Tooling			Color Code Die	Die Index	Strip Length	
		L	W			Mech.	Hyd.					Dieless (# Crimps)
						MD 6 MD7-34R	PATMD6 PAT600	Y35, Y750, PAT750				
YAEBAS6CNTN	#6	2.30"	0.98"	YAEBAS6CNTNOEM	Blue	W5CVT (1)	W5CVT (1)	U5CRT (1)	Hyd. PAT81KFT PAT4-C834 PAT644 (1)	Blue	7	
YAEBAS6CPTN			1.02"	YAEBAS6CPTNOEM		W5CRT (1)	W5CRT (1)	W5CRT (1)				
YAEBAS4CNTN	#4		0.98"	YAEBAS4CNTNOEM	Gray	W4CVT (1)	W4CVT (1)	U4CRT (1)	Mech. MY29-11 MRC840 (1)	Gray	6	
YAEBAS4CPTN			1.02"	YAEBAS4CPTNOEM		W4CRT (1)	W4CRT (1)	W4CRT (1)				
YAEBAS2CNTN	#2		0.98"	YAEBAS2CNTNOEM	Green	W2CVT (1)	W2CVT (1)	U2CRT (1)		Brown	10	
YAEBAS2CPTN			1.02"	YAEBAS2CPTNOEM		W2CRT (1)	W2CRT (1)	W2CRT (1)				
YAEBAS1CNTN	#1		0.98"	YAEBAS1CNTNOEM	Pink	W1CVT (1)	W1CVT (1)	U1CRT (1)		Green	11	
YAEBAS1CPTN			1.02"	YAEBAS1CPTNOEM		W1CRT-1 (1)	W1CRT-1 (1)	W1CRT-1 (1)				
YAEBAS25NTN	1/0	2.36"	0.98"	YAEBAS25NTNOEM	Black	W25VT (1)	W25VT (1)	U25RT (1)		Hyd. PAT81KFT PAT4-C834 PAT644 (1)	Pink	12
YAEBAS25PTN			1.02"	YAEBAS25PTNOEM		W25RT (1)	W25RT (1)	W25RT (1)				
YAEBAS26NTN	2/0		0.98"	YAEBAS26NTNOEM	Orange	W26VT (1)	W26VT (1)	U26RT (1)	Orange	14		
YAEBAS26PTN			1.02"	YAEBAS26PTNOEM		W26RT (1)	W26RT (1)	W26RT (1)				
YAEBAS27NTN	3/0		0.98"	YAEBAS27NTNOEM	Purple	W27VT (1)	W27VT (1)	U27RT (1)	Mech. MY29-11 MRC840 (2)	Purple	15	
YAEBAS27PTN			1.02"	YAEBAS27PTNOEM		W27RT (1)	W27RT (1)	W27RT (1)				
YAEBAS28NTN	4/0		0.98"	YAEBAS28NTNOEM	Yellow	W28VT (1)	W28VT (1)	U28RT (1)	Purple	15		
YAEBAS28PTN			1.02"	YAEBAS28PTNOEM		W28RT (1)	W28RT (1)	W28RT (1)				

TYPE YAEBA-F

T Style Battery Post HYDENT™ Terminals

#2 - 4/0 AWG Solid and Stranded Copper

BURNDY post terminals are made from pure copper alloy and are tin plated to prevent corrosion. They adhere to SAE, JIS and DIN stud standards. Typical applications are automotive, marine, transportation, petrochemical, and OEM markets.



C-215

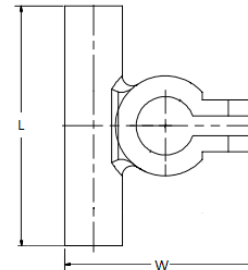
Features & Benefits

Barrel

- Color coded for easy identification
- Chamfered end
- Made of copper alloy, tin plated for corrosion resistance and RoHS compliance
- Comes standard with stainless steel hardware installed

Post

- Clamp color coded by polarity; red is positive; black is negative
- Not UL Listed but tested and met UL486A-486B pullout requirements



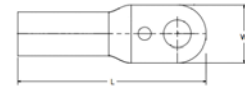
Catalog Number	Wire Range	Dimensions		Bulk Catalog Number	Conn. Color Code	Installation Tooling				Die Color Code	Die Index	Strip Length
		L	W			Mech.	Hyd.		Dieless (# Crimps)			
						MD 6 MD7-34R	PAT MD6 PAT600	Y35, Y750, PAT750				
YAEBAF2CNTN	#2	2.36	1.89	YAEBAF2CNTNOEM	Green	W2CVT (1) W2CRT (1)	W2CVT (1) W2CRT (1)	U2CRT (1)	MECH. MY29-11 (1) MRC840 (1)	Brown	10	1-9/32
YAEBAF2CPTN				YAEBAF2CPTNOEM								
YAEBAF1CNTN	#1			YAEBAF1CNTNOEM	Pink	W1CVT (1) W1CRT-1 (1)	W1CVT (1) W1CRT-1 (1)	U1CRT-1 (1)		Green	11	
YAEBAF1CPTN				YAEBAF1CPTNOEM								
YAEBAF25NTN	1/0		YAEBAF25NTNOEM	Black	W25VT (1) W25RT (1)	W25VT (1) W25RT (1)	U25RT (1)	Pink	12			
YAEBAF25PTN			YAEBAF25PTNOEM									
YAEBAF26NTN	2/0		YAEBAF26NTNOEM	Orange	W26VT (1) W26RT (1)	W26VT (1) W26RT (1)	U26RT (1)	MECH. MY29-11 (1) MRC840 (2)	Black	13		
YAEBAF26PTN			YAEBAF26PTNOEM									
YAEBAF27NTN	3/0	YAEBAF27NTNOEM	Purple	W27VT (1) W27RT (1)	W27VT (1) W27RT (1)	U27RT (1)	Orange		14			
YAEBAF27PTN		YAEBAF27PTNOEM										
YAEBAF28NTN	4/0	YAEBAF28NTNOEM	Yellow	W28VT (1) W28RT (1)	W28VT (1) W28RT (1)	U28RT (1)	Purple	15				
YAEBAF28PTN		YAEBAF28PTNOEM										

TYPE YAGB

One Hole HYLUG™ Battery Terminal

C-216

#6 - 4/0 AWG Solid and Stranded Copper



BURNDY post terminals are made from pure copper alloy and are tin plated to prevent corrosion. They adhere to SAE, JIS and DIN stud standards. Typical applications are automotive, marine, transportation, petrochemical, and OEM markets.

Features & Benefits

Barrel

- Color coded for easy identification
- Chamfered end
- Made of copper alloy, tin plated for corrosion resistance and RoHS compliance
- Not UL Listed but tested and met UL486A-486B pullout requirements

Catalog Number	Wire Range	Stud Size	Dimensions		Bulk Catalog Number	Conn. Color Code	Installation Tooling				Color Code (Die)	Die Index	Strip Length
			L	W			Mech.		Hyd.	Dieless (# Crimps)			
							MD 6 MD7-34R	PATMD6 PAT600					
YAGB6CLTC10FX	#6	#10	1.46"	0.44"	YAGB6CLTC10FXOEM	Blue	W5CVT (1) W5CRT (1)	W5CVT (1) W5CRT (1)	U5CRT (1)	Blue	7	7/8"	
YAGB6CLTC14FX		1/4"			YAGB6CLTC14FXOEM								
YAGB6CLTC516FX		5/16"	1.61"	0.60"	YAGB6CLTC516FXOEM								
YAGB6CLTC38FX		3/8"	YAGB6CLTC38FXOEM										
YAGB6CLTC12FX		1/2"	1.73"	0.74"	YAGB6CLTC12FXOEM								
YAGB4CLTC10FX	#4	#10	1.97"	0.75"	YAGB4CLTC10FXOEM	Gray	W4CVT (1) W4CRT (1)	W4CVT (1) W4CRT (1)	U4CRT (1)	Gray	6	15/16"	
YAGB4CLTC14FX		1/4"			YAGB4CLTC14FXOEM								
YAGB4CLTC516FX		5/16"			YAGB4CLTC516FXOEM								
YAGB4CLTC38FX		3/8"			YAGB4CLTC38FXOEM								
YAGB4CLTC12FX		1/2"			YAGB4CLTC12FXOEM								
YAGB2CLTC10FX	#2	#10	2.09"	0.81"	YAGB2CLTC10FXOEM	Green	W2CVT (1) W2CRT (1)	W2CVT (1) W2CRT (1)	U2CRT (1)	Brown	10	15/16"	
YAGB2CLTC14FX		1/4"			YAGB2CLTC14FXOEM								
YAGB2CLTC516FX		5/16"			YAGB2CLTC516FXOEM								
YAGB2CLTC38FX		3/8"			YAGB2CLTC38FXOEM								
YAGB2CLTC12FX		1/2"			YAGB2CLTC12FXOEM								
YAGB25LTC14FX	1/0	1/4"	2.40"	0.87"	YAGB25LTC14FXOEM	Black	W25VT (1) W25RT (1)	W25VT (1) W25RT (1)	U25RT (1)	Pink	12	1-3/16"	
YAGB25LTC516FX		5/16"			YAGB25LTC516FXOEM								
YAGB25LTC38FX		3/8"			YAGB25LTC38FXOEM								
YAGB25LTC12FX		1/2"			YAGB25LTC12FXOEM								
YAGB26LTC14FX	2/0	1/4"	2.44"	0.91"	YAGB26LTC14FXOEM	Orange	W26VT (1) W26RT (1)	W26VT (1) W26RT (1)	U26RT (1)	Black	13	1-3/16"	
YAGB26LTC516FX		5/16"			YAGB26LTC516FXOEM								
YAGB26LTC38FX		3/8"			YAGB26LTC38FXOEM								
YAGB26LTC12FX		1/2"			YAGB26LTC12FXOEM								
YAGB28LTC14FX	4/0	1/4"	2.56"	1.10"	YAGB28LTC14FXOEM	Yellow	W28VT (1) W28RT (1)	W28VT (1) W28RT (1)	U28RT (1)	Purple	15	1-3/16"	
YAGB28LTC516FX		5/16"			YAGB28LTC516FXOEM								
YAGB28LTC38FX		3/8"			YAGB28LTC38FXOEM								
YAGB28LTC12FX		1/2"			YAGB28LTC12FXOEM								

TYPE YCP-L

Compression Cable Pulling Heads

Before using this product, it is required to read, understand, and comply with the Safety Operation Maintenance & Installation manual provided with the product.

C-217

Features & Benefits

- Range-taking; only 6 compression pulling heads are required to pull #1 AWG through 1000 kcmil wire
- Accommodates:
 - Copper Class B (Concentric, Compressed, Compact) or Class C wire
 - Aluminum Class B (Concentric, Compressed, Compact)
- Easy to install with the 644 Series of dieless installation tools (PAT644 or Y644)
- Parallel installation; each of the 6 compression pulling heads come in 5 unique lanyard lengths for staggering when pulling multiple wire
- Knurl crimp bands clearly indicate the crimp zone locations on the compression pulling head barrels



PAT644 Shown

Catalog Number	Barrel OD (in)	Wire Size (Cu & AL)	Copper Max. Rated Pull Load/ Cable (lbs)	Aluminum Max. Rated Pull Load/ Cable (lbs)	Lanyard Length (in)	Minimum Wire Strip Length (in)	Installation Tooling (# of Crimps)
YPC25L13	.51"	#1 - 1/0 AWG	1,200	400	13"	2.50"	PAT644 (1) Y644 (1)
YPC25L20					20"		
YPC25L27					27"		
YPC25L34					34"		
YPC25L41					41"		
YPC28L13	.69"	2/0 AWG 3/0 AWG 4/0 AWG	1,200 2,000 2,000	400 750 1,000	13"	3.00"	PAT644 (2) Y644 (2)
YPC28L20					20"		
YPC28L27					27"		
YPC28L34					34"		
YPC28L41					41"		
YPC31L13	.88"	250 kcmil 300 kcmil 350 kcmil	2,000 4,000 4,000	1,200 1,500 1,800	13"	3.25"	PAT644 (3) Y644 (3)
YPC31L20					20"		
YPC31L27					27"		
YPC31L34					34"		
YPC31L41					41"		
YPC34L13	1.06"	400 kcmil 450 kcmil 500 kcmil	4,000 5,000 5,000	2,000 2,400 2,700	13"	3.25"	PAT644 (3) Y644 (3)
YPC34L20					20"		
YPC34L27					27"		
YPC34L34					34"		
YPC34L41					41"		

TYPE YCP-L

Compression Cable Pulling Heads

(Continued)

C-218



Catalog Number	Barrel OD (in)	Wire Size (Cu & AL)	Copper Max. Rated Pull Load/ Cable (lbs)	Aluminum Max. Rated Pull Load/ Cable (lbs)	Lanyard Length (in)	Minimum Wire Strip Length (in)	Installation Tooling (# of Crimps)
YPC39L13	1.30"	550 kcmil 600 kcmil 650 kcmil 700 kcmil 750 kcmil	5,000	3,000 3,200 3,600 3,600 3,600	13"	3.25"	PAT644 (3) Y644 (3)
YPC39L20					20"		
YPC39L27					27"		
YPC39L34					34"		
YPC39L41					41"		
YPC44L13	1.50"	800 kcmil 900 kcmil 1000 kcmil	5,000	3,600 3,600 5,000	13"	3.25"	PAT644 (3) Y644 (3)
YPC44L20					20"		
YPC44L27					27"		
YPC44L34					34"		
YPC44L41					41"		



PAT644 Shown

TABLE OF CONTENTS

DURIUM™ Hardware

Bolts	D-2
Nuts	D-3
Flat Washers	D-3
Split Lockwashers	D-3
Internal Tooth Lockwashers	D-3

Aluminum Hardware

Bolts	D-4
Nuts	D-4
Flat Washers	D-4
Split Lockwashers	D-4

Galvanized Steel Hardware

Bolts	D-5
Nuts	D-5
Flat Washers	D-5
Internal Tooth Lockwashers	D-5

Stainless Steel Hardware

Bolts	D-6
Nuts	D-6
Split Lockwashers	D-6
Flat Washers	D-6
Belleville Washers	D-7

TMH Terminal Mounting Hardware Kits

DURIUM™ Silicon Bronze	D-8
Stainless Steel	D-8

DURIUM™ U-Bolts

D-9

D-1

HARDWARE DATA

RECOMMENDED TIGHTENING TORQUE

The hardware used in connectors must be compatible with the connector material, have high mechanical strength and be corrosion resistant and correspond to NEMA recommendations.

Copper alloy connectors have hardware made of DURIMUM™, which is BURNDY's trade name for silicon bronze alloy ASTMB99 type B. This material was first introduced by BURNDY® in 1927 for use in outdoor construction, and today, is the standard throughout the industry.

DURIMUM™ and Steel Hardware		Aluminum Hardware	
Bolt Size	Rec. Torque (Inch Pounds)	Bolt Size	Rec. Torque (Inch Pounds)
1/4 - 20	80	1/2 - 13	300
5/16 - 18	180	5/8 - 11	480
3/8 - 16	240	3/4 - 10	650
1/2 - 13	480		
5/8 - 11	660		
3/4 - 10	1,050		

Aluminum connectors generally have aluminum alloy hardware. The bolts are 2024T4 and anodized to resist corrosion. The nuts are 6061T6, which is resistant to corrosion and does not require anodizing. Both nuts and bolts are lubricated to eliminate galling and to provide consistent

clamping forces.

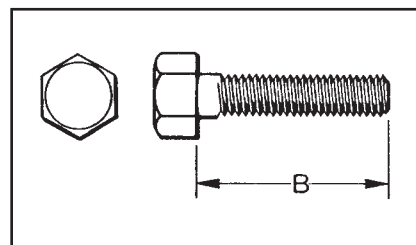
To reduce or greatly exceed the recommended torque can adversely affect the performance of the connector.

D-2

DURIMUM™ BOLT

SILICON BRONZE

BURNDY® introduced silicon-bronze bolts, nuts and other hardware items on outdoor connector applications in 1927. Today the DURIMUM™ trademark is a standard for this use. DURIMUM™ bolts combine high strength with corrosion resistance. Heads have American Standard



dimension and the threads are per American National Coarse Series, Class #2 fit. The silicon

bronze is per ASTM B99.

Catalog Number	Thread Size	B Length (Inches)
25X50HEBBOX	1/4-20	1/2
25X62HEBBOX	1/4-20	5/8
25X75HEBBOX	1/4-20	3/4
25X100HEBBOX	1/4-20	1
25X125HEBBOX	1/4-20	1-1/4
25X150HEBBOX	1/4-20	1-1/2
25X200HEBBOX	1/4-20	2
25X250HEBBOX	1/4-20	2-1/2
25X300HEBBOX	1/4-20	3
31X50HEBBOX	5/16-18	1/2
31X62HEBBOX	5/16-18	5/8
31X75HEBBOX	5/16-18	3/4
31X100HEBBOX	5/16-18	1
31X125HEBBOX	5/16-18	1-1/4
31X150HEBBOX	5/16-18	1-1/2
31X175HEBBOX	5/16-18	1-3/4
31X200HEBBOX	5/16-18	2
31X250HEBBOX	5/16-18	2-1/2
31X300HEBBOX	5/16-18	3
38X50HEBBOX	3/8-16	1/2
38X62HEBBOX	3/8-16	5/8
38X75HEBBOX	3/8-16	3/4
38X88HEBBOX	3/8-16	7/8
38X100HEBBOX	3/8-16	1

Catalog Number	Thread Size	B Length (Inches)
38X125HEBBOX	3/8-16	1-1/4
38X150HEBBOX	3/8-16	1-1/2
38X175HEBBOX	3/8-16	1-3/4
38X200HEBBOX	3/8-16	2
38X225HEBBOX	3/8-16	2-1/4
38X250HEBBOX	3/8-16	2-1/2
38X275HEBBOX	3/8-16	2-3/4
38X300HEBBOX	3/8-16	3
38X325HEBBOX	3/8-16	3-1/4
38X350HEBBOX	3/8-16	3-1/2
38X400HEBBOX	3/8-16	4
38X450HEBBOX	3/8-16	4-1/2
38X500HEBBOX	3/8-16	5
44X150HEBBOX	7/16-14	1-1/2
44X200HEBBOX	7/16-14	2
50X75HEBBOX	1/2-13	3/4
50X100HEBBOX	1/2-13	1
50X125HEBBOX	1/2-13	1-1/4
50X150HEBBOX	1/2-13	1-1/2
50X175HEBBOX	1/2-13	1-3/4
50X200HEBBOX	1/2-13	2
50X225HEBBOX	1/2-13	2-1/4
50X250HEBBOX	1/2-13	2-1/2
50X275HEBBOX	1/2-13	2-3/4

Catalog Number	Thread Size	B Length (Inches)
50X300HEBBOX	1/2-13	3
50X325HEBBOX	1/2-13	3-1/4
50X350HEBBOX	1/2-13	3-1/2
50X375HEBBOX	1/2-13	3-3/4
50X400HEBBOX	1/2-13	4
50X450HEBBOX	1/2-13	4-1/2
50X500HEBBOX	1/2-13	5
50X550HEBBOX	1/2-13	4-1/2
50X600HEBBOX	1/2-13	6
62X100HEBBOX	5/8-11	1
62X125HEBBOX	5/8-11	1-1/4
62X150HEBBOX	5/8-11	1-1/2
62X175HEBBOX	5/8-11	1-3/4
62X200HEBBOX	5/8-11	2
62X225HEBBOX	5/8-11	2-1/4
62X250HEBBOX	5/8-11	2-1/2
62X275HEBBOX	5/8-11	2-3/4
62X300HEBBOX	5/8-11	3
62X325HEBBOX	5/8-11	3-1/4
62X350HEBBOX	5/8-11	3-1/2
62X400HEBBOX	5/8-11	4
62X450HEBBOX	5/8-11	4-1/2
62X500HEBBOX	5/8-11	5
62X600HEBBOX	5/8-11	6

DURIUM™ NUTS

SILICON BRONZE

DURIUM™ hexagon regular nuts are non-magnetic and are made to American Standard dimensions. American National Coarse Series threads. #2 fit.



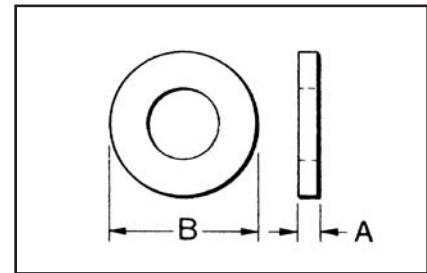
Catalog Number	Thread Size
25CHENBOX	1/4-20
31CHENBOX	5/16-18
38CHENBOX	3/8-16
44CHENBOX	7/16-14
50CHENBOX	1/2-13
62CHENBOX	5/8-11
75CHENBOX	3/4-10
100CHENBOX	1-8

D-3

DURIUM™ FLAT WASHERS

SILICON BRONZE

High strength DURIUM™ Flat Washers are non-magnetic and free from galvanic action when in contact with copper. Conforms to SAE standards.



Catalog Number	For Bolt Size	Nominal Dimensions in Inches	
		A	B
25FWBOX	1/4	1/16	5/8
31FWBOX	5/16	1/16	11/16
38FWBOX	3/8	1/16	13/16
44FWBOX	7/16	1/16	15/16
50FWBOX	1/2	3/32	1-1/16
62FWBOX	5/8	3/32	1-5/16
75FWBOX	3/4	9/64	1-15/32

DURIUM™ SPLIT LOCKWASHERS

SILICON BRONZE

DURIUM™ spring type lockwasher has high resiliency and exerts constant pressure on the face of the nut, preventing vibration from loosening the nut.



Catalog Number	For Bolt Size
25SWBOX	1/4
31SWBOX	5/16
38SWBOX	3/8
44SWBOX	7/16
50SWBOX	1/2
62SWBOX	5/8
75SWBOX	3/4

DURIUM™ INTERNAL TOOTH LOCKWASHERS

SILICON BRONZE

DURIUM™ Internal Tooth Lockwashers are available as illustrated. The teeth are twisted slightly and present biting edges which grip the nut and the part being clamped, preventing the nut from backing off.

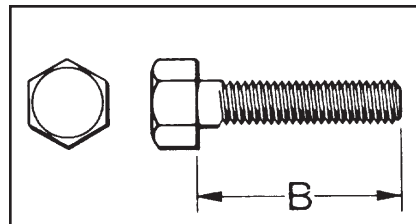
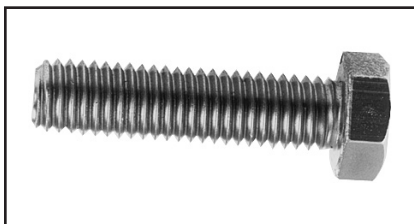


Catalog Number	For Bolt Size
25NWBOX	1/4
31NWBOX	5/16
38NWBOX	3/8
44NWBOX	7/16
50NWBOX	1/2
62NWBOX	5/8
75NWBOX	3/4

ALUMINUM HARDWARE

BOLTS

BURNDY® aluminum hexagon head bolts are manufactured of alloy 2024-T4 and are finished with anodic coating and lubricated. Threads are coarse series, class 2A fit.



Catalog Number	Thread Size	B Length (Inches)
50X150HABBOX	1/2-13	1-1/2
50X175HABBOX	1/2-13	1-3/4
50X200HABBOX	1/2-13	2
50X225HABBOX	1/2-13	2-1/4
50X250HABBOX	1/2-13	2-1/2
50X275HABBOX	1/2-13	2-3/4
50X300HABBOX	1/2-13	3
50X325HABBOX	1/2-13	3-1/4
50X350HABBOX	1/2-13	3-1/2
50X375HABBOX	1/2-13	3-3/4
50X400HABBOX	1/2-13	4
50X425HABBOX	1/2-13	4-1/4
50X450HABBOX	1/2-13	4-1/2

Catalog Number	Thread Size	B Length (Inches)
50X500HABBOX	1/2-13	5
50X550HABBOX	1/2-13	5-1/2
62X175HABBOX	5/8-11	1-3/4
62X200HABBOX	5/8-11	2
62X225HABBOX	5/8-11	2-1/4
62X250HABBOX	5/8-11	2-1/2
62X300HABBOX	5/8-11	3
62X350HABBOX	5/8-11	3-1/2
62X400HABBOX	5/8-11	4
62X450HABBOX	5/8-11	4-1/2
62X500HABBOX	5/8-11	5
62X550HABBOX	5/8-11	5-1/2
62X600HABBOX	5/8-11	6

NUTS

BURNDY® aluminum nuts are manufactured of alloy 6061-T6, are finished type, coarse thread, class 2B fit.



Catalog Number	Thread Size
50HANBOX	1/2-13
62HANBOX	5/8-11

FLAT WASHERS

BURNDY® aluminum flat washers are manufactured of alloy 2024-T4 and are medium design.



Catalog Number	Description	For Bolt Size
50FWABOX	Flat Washer	1/2
62FWABOX	Flat Washer	5/8

SPLIT LOCKWASHERS

BURNDY® aluminum split lockwashers are manufactured of alloy 7075-T6 and are regular design.



Catalog Number	Description	For Bolt Size
50SWALBOX	Split Washer	1/2
62SWALBOX	Split Washer	5/8

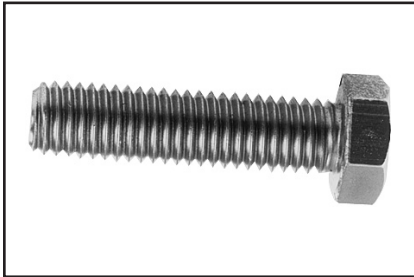
**GALVANIZED
STEEL HARDWARE**

Galvanized bolts, nuts, flatwashers, and internal tooth lockwashers are manufactured per ASTM307 Grade A. Nut surfaces and bolt heads have American Standard dimensions, and the

threads are per American National Coarse Series, Class #2 fit. Galvanizing is per ASTM A153.

D-5

BOLTS



Catalog Number	Thread Size	Length (B)
38X125HGSBBOX	3/8-16	1.25
38X275HGSBBOX	3/8-16	2.75
38X225HGSBBOX	3/8-16	2.25
50X100HGSBBOX	1/2-13	1.00
50X150HGSBBOX	1/2-13	1.50
50X200HGSBBOX	1/2-13	2.00
62X100HGSBBOX	5/8-11	1.00

Catalog Number	Thread Size	Length (B)
62X175HGSBBOX	5/8-11	1.75
75X125HGSBBOX	3/4-11	1.25
75X200HGSBBOX	3/4-10	2.00
75X500HGSBBOX	3/4-10	5.00
75X600HGSBBOX	3/4-10	6.00
100X200HGSBBOX	1-8	2.00

NUTS



Catalog Number	Thread Size
31CHGSNBOX	5/16-18
38HGSN009BOX	3/8-16
38HGSNBOX	3/8-16
50HGSNBOX	1/2-13

Catalog Number	Thread Size
62HGSNBOX	5/8-11
75HGSNBOX	3/4-10

FLAT WASHERS



Catalog Number	For Bolt Size	Nominal Dimensions (Inches)	
		I.D.	O.D.
38X81FWGSBOX	3/8	0.41	0.81
50X106FWGSBOX	1/2	0.53	1.06
62X131FWGSBOX	5/8	0.66	1.31

**INTERNAL TOOTH
LOCKWASHERS**



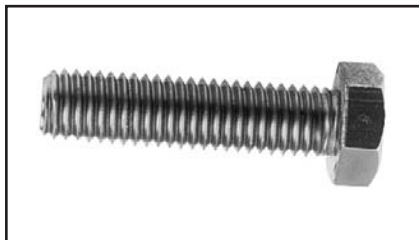
Catalog Number	Bolt Size
38NWGSBOX	3/8
50NWGSBOX	1/2
62NWGSBOX	5/8
75NWGSBOX	3/4

**STAINLESS STEEL
HARDWARE**

Stainless steel bolts, nuts, flatwashers and split lockwashers are manufactured from 18-8 non-magnetic material. Nut surfaces and bolt heads have American National Coarse Series, Class #2 fit.

D-6

BOLTS



Catalog Number	Thread Size	Length B
38X125HSSBBOX	3/8-16	1-1/4
38X225HSSBBOX	3/8-16	2-1/4
38X250HSSBBOX	3/8-16	2-1/2
38X275HSSBBOX	3/8-16	2-3/4
50X200HSSBBOX	1/2-13	2

Catalog Number	Thread Size	Length B
50X250HSSBBOX	1/2-13	2-1/2
50X300HSSBBOX	1/2-13	3
62X300HSSBBOX	5/8-11	3
75X300HSSBBOX	3/4-10	3

NUTS



Catalog Number	Thread Size
25HSSNBOX	1/4-20
38HSSNBOX	3/8-16
50HSSNBOX	1/2-13
62HSSNBOX	5/8-11
75HSSNBOX	3/4-10

SPLIT LOCKWASHERS



Catalog Number	For Bolt Size
25SWSSLTBOX	1/4
38SWSSMDBOX	3/8
50SWSSMDBOX	1/2
62SWSSMDBOX	5/8

FLAT WASHERS



Catalog Number	For Bolt Size	Nominal Dimensions (Inches)	
		I.D.	O.D.
25FWSBOX	1/4	0.27	0.69
38FWSBOX	3/8	0.41	1.00
50FWSBOX	1/2	0.59	1.13
62FWSBOX	5/8	0.66	1.31

**STAINLESS STEEL
HARDWARE**

BELLEVILLE WASHERS



Any bolted “pad to flat” electrical connection should include a bolt, two flatwashers, and the nut. In addition, if any of the flat components is aluminum, a properly designed Belleville washer should be interposed between one of the flatwashers and either the bolt head or the nut, with the hollow of the Belleville washer placed against the flat washer. BURNDY® Belleville washers are designed to maintain substantial force when tightened to NEMA-recommended values and finely finished to avoid galling.

D-7

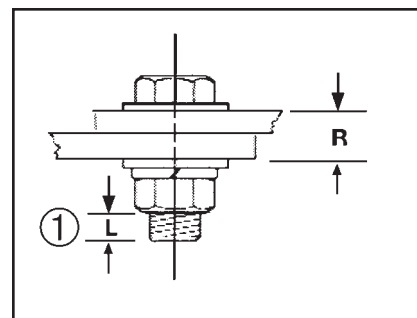
Catalog Number	Material	Bolt Size	Nominal Dimensions		
			Thickness	I.D.	O.D.
38X75BWSSBOX	Steel - Stainless	3/8	0.06	0.39	0.75
50X106BWSSBOX	Steel - Stainless	1/2	0.10	0.53	1.06

TYPE TMH

DURIUM™ SILICON BRONZE HARDWARE KITS

D-8

Type TMH are DURIUM™ silicon bronze hardware kits. The kits can be ordered for specific applications ensuring the proper type and amount of hardware for each installation. Packaged in separate sealed bags, they are convenient to use, eliminating mismatched quantities. DURIUM™ silicon bronze material provides long lasting corrosion resistance Grade 2.



Catalog Number	Size	Each TMH Kit Includes:					Working Range (R)	Installation Torque (In-lbs)
		Bolt		Flat Washer	Split Washer	Hex Nut		
		Length	Qty					
TMH262	1/4-20	0.75	2	4	2	2	0.09 - 0.34	80
TMH263		1.00	2	4	2	2	0.34 - 0.59	
TMH264		1.25	2	4	2	2	0.59 - 0.84	
TMH265		1.50	2	4	2	2	0.84 - 1.09	
TMH266	3/8-16	0.75	2	4	2	2	0.00 - 0.19	240
TMH267		1.00	2	4	2	2	0.19 - 0.44	
TMH268		1.25	2	4	2	2	0.44 - 0.69	
TMH269		1.50	2	4	2	2	0.69 - 0.94	
TMH270		1.75	2	4	2	2	0.94 - 1.19	
TMH271		2.00	2	4	2	2	1.19 - 1.44	
TMH332 ②		2.75	2	4	2	2	-	
TMH261 †		3.00	2	4	2	2	2.15 - 2.40	
TMH289 ††	1.25	1	2	1	1	0.02 - 0.27	480	
TMH295	1/2-13	1.25	2	4	2	2		0.27 - 0.49
TMH272		1.50	2	4	2	2		0.49 - 0.74
TMH294		1.75	2	4	2	2		0.74 - 0.99
TMH69		2.00	2	4	2	2		0.99 - 1.24

† For use with CUSA750-2TC38 copper spacer adaptor, (2) terminals and "L" thick equipment bus bar. For other combinations contact BURNDY®.

* For other combinations contact BURNDY®.

① "L" dimension never exceeds 0.25"

② For use with CUSA442TC38 on 1/4" bus bar and HYLUG™ 4/0 - 750 kcmil.

†† For use with all GAR-TC connectors. "R" dimension is allowable pad thickness of terminal

TYPE TMH-SS

STAINLESS STEEL HARDWARE KITS

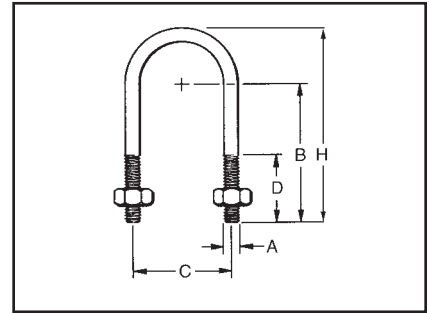
Type TMH-SS are stainless steel hardware kits. Just like the standard TMH kits, these kits can be ordered for specific applications ensuring the proper type and amount of hardware for each installation. They are packaged in separate sealed bags and convenient for use and ordering.

Catalog Number	Size	Each TMH Kit Includes:					Working Range (R)	Installation Torque (In-lbs)
		Bolt		Flat Washer	Split Washer	Hex Nut		
		Length	Qty					
TMH322SS	10-32	0.88	1	0	1	1	-	45
TMH262SS	1/4-20	0.75	2	4	2	2	0.09 - 0.34	80
TMH263SS		1.00	2	4	2	2	0.34 - 0.59	
TMH264SS		1.25	2	4	2	2	0.59 - 0.84	
TMH265SS		1.50	2	4	2	2	0.84 - 1.09	
TMH267SS	3/8-16	1.00	2	4	2	2	0.19 - 0.44	240
TMH268SS		1.25	2	4	2	2	0.44 - 0.69	
TMH269SS		1.50	2	4	2	2	0.69 - 0.94	
TMH270SS		1.75	2	4	2	2	0.94 - 1.19	
TMH271SS		2.00	2	4	2	2	1.19 - 1.44	
TMH261SS †		3.00	2	4	2	2	2.15 - 2.40	
TMH295SS	1/2-13	1.25	2	4	2	2	0.27 - 0.49	480
TMH272SS		1.50	2	4	2	2	0.49 - 0.74	
TMH294SS		1.75	2	4	2	2	0.74 - 0.99	
TMH69SS		2.00	2	4	2	2	0.99 - 1.24	

TYPE UB

DURIUM™
SILICON BRONZE U-BOLTS

DURIUM™ U-BOLTS are specifically designed for electrical connections to pipe and rod. The U-BOLTS are threaded on the straight portion of the legs only allowing for more contact surface on the pipe or rod. American National Coarse Threads Class #2 fit. The silicon bronze is per ASTM B99.



D-9

Catalog Number	Thread Size	H	C	D	B
UB101	1/4-20	1.38	0.75	0.75	0.88
UB104	1/4-20	1.81	1.12	0.88	1.12
UB105	1/4-20	2.03	1.31	1.00	1.25
UB106	1/4-20	2.31	1.62	1.12	1.38
UB107	1/4-20	2.66	1.94	1.31	1.56
UB336	3/8-16	1.50	0.88	0.62	0.88
UB178	3/8-16	2.00	0.88	0.75	1.38
UB354	3/8-16	2.44	1.25	1.00	1.62
UB187	3/8-16	2.47	1.16	1.06	1.69
UB271	3/8-16	2.50	1.00	1.19	1.81
UB222	3/8-16	2.69	1.50	1.12	1.75
UB242	3/8-16	2.72	1.16	1.31	1.94
UB383	3/8-16	2.75	0.94	1.47	2.09
UB269	3/8-16	2.78	1.19	1.38	2.00
UB357	3/8-16	2.78	1.69	1.12	1.75
UB384	3/8-16	2.91	1.44	1.38	2.00
UB249	3/8-16	3.00	1.50	1.44	2.06
UB1031	3/8-16	3.31	1.75	1.90	2.25
UB244	3/8-16	3.31	1.75	1.62	2.25
UB199	3/8-16	3.41	2.34	1.44	2.05
UB204	3/8-16	3.47	2.06	1.62	2.25
UB124	3/8-16	3.50	2.75	1.31	1.94
UB268	3/8-16	3.97	2.34	2.00	2.62
UB257	3/8-16	4.16	2.81	1.94	2.56
UB1032	3/8-16	4.41	2.81	2.56	2.81
UB310	3/8-16	4.41	2.81	2.19	2.81
UB266	3/8-16	4.97	3.31	2.50	3.12
UB267	3/8-16	5.53	3.94	2.75	3.38
UB258	3/8-16	5.56	4.00	2.75	3.38
UB264	3/8-16	6.16	4.44	3.12	3.75
UB1033	3/8-16	6.16	4.44	3.50	3.75
UB261	3/8-16	6.34	4.94	3.06	3.69
UB422	3/8-16	7.69	6.00	3.88	4.50
UB1027	3/8-16	8.12	7.12	2.88	4.38
UB1028	3/8-16	9.62	9.12	2.88	4.88
UB1029	3/8-16	11.20	11.25	2.88	5.38

Catalog Number	Thread Size	H	C	D	B
UB1030	3/8-16	12.70	13.25	2.88	5.88
UB224	1/2-13	2.44	1.12	0.88	1.62
UB358	1/2-13	2.66	1.31	1.00	1.75
UB291	1/2-13	2.81	1.19	1.19	1.97
UB293	1/2-13	2.81	1.75	1.75	1.69
UB464	1/2-13	3.12	1.81	1.81	1.96
UB540	1/2-13	3.19	1.38	1.38	2.25
UB254	1/2-13	3.41	1.31	1.31	2.50
UB328	1/2-13	3.41	2.94	2.94	1.69
UB400	1/2-13	4.03	1.31	1.31	3.12
UB230	1/2-13	4.34	2.94	2.94	2.62
UB311	1/2-13	4.44	1.88	1.88	3.25
UB302	1/2-13	4.62	2.47	2.47	3.12
UB232	1/2-13	4.97	3.44	3.44	3.00
UB260	1/2-13	5.34	2.94	2.94	3.62
UB390	1/2-13	5.38	2.50	2.50	3.88
UB263	1/2-13	5.78	4.56	4.56	3.25
UB282	1/2-13	6.31	4.12	4.12	4.00
UB236	1/2-13	6.41	5.06	5.06	3.62
UB399	1/2-13	6.66	1.31	1.31	5.75
UB436	1/2-13	6.66	4.56	4.56	4.12
UB262	1/2-13	6.78	5.06	5.06	4.00
UB392	1/2-13	7.06	1.62	1.62	6.00
UB416	1/2-13	7.53	5.06	5.06	4.75
UB300	1/2-13	7.62	6.12	6.12	4.31
UB306	1/2-13	7.88	6.12	6.12	4.56
UB275	1/2-13	8.16	7.19	3.54	4.31
UB437	1/2-13	8.56	6.12	6.12	5.25
UB294	5/8-11	3.50	1.38	1.38	2.50
UB314	5/8-11	3.66	2.09	2.09	2.31
UB425	5/8-11	3.72	2.31	2.31	2.25
UB317	5/8-11	4.97	1.81	1.81	3.75
UB315	5/8-11	5.56	2.09	2.09	4.19
UB318	3/4-10	4.22	2.44	2.44	2.62
UB344	3/4-10	4.72	1.94	1.94	3.38
UB319	3/4-10	6.34	2.44	2.44	4.75

TABLE OF CONTENTS

HYGROUND® Irreversible Compression Grounding

HYGROUND® Introduction	E-7	Type YGHS.....	E-24
Example Grids	E-8, 9	Type YGS.....	E-25
Features & Benefits	E-10	Type YGL-C.....	E-11
Type YGL-C.....	E-11	Type YGF.....	E-26
Type YGLR-C.....	E-12	Type YGIB	E-27, 28
Type YGHP-C.....	E-13	Type GSTUD-HY	E-29
Type YGHP-C.....	E-14	Types YGT, YTTAG	E-30
Type YGHC-C	E-15	Type YG-B.....	E-31
Type YGHHC-C	E-16		
Type YGC	E-17		
Type YSHG.....	E-18		
Type YGHR-C	E-19		
Type YGHR-C	E-20		
Type YGHA	E-21		
Type YGA	E-22		
GROUND TAB.....	E-23		

E-1

⚡ Lightning Protection Information

Basic rules for selection are:

1. Must be like material to the conductor.
2. Two bolts to ground rod—minimum, for mechanical.
3. Cable to cable connections can be installed with one bolt, two bolt, or compression means.
4. Cable to steel structure must have 8 in.² contact with steel.
5. Heavy duty stacks—mechanical only.
6. On all connectors with heavy duty stack rating, we must offer 1/16" thick lead plating as an option.
The reason is closest 25 ft. to stack opening must use lead coated product.
7. UL 96 Listing.

TABLE OF CONTENTS

Mechanical Grounding

Types KC, K2C	E-32	Types GQ, GX	E-57
Type SB	E-33	Type GG	E-58
Type KCKF	E-34	Braid Information	E-59, 60
Types KC-J, EQC632	E-35	Type B	E-61-63
Type KS	E-35	Type BB-LT	E-64
Type FFG	E-36	Types CCY, B-B	E-65
Types GKA, KPB	E-37	Type BB-SS	E-66
Types CL50-1, CL50-1TN, CL	E-38	Types GB, GBM, GC, GCM	E-67
Type BGBS	E-39	Types GL, GZ	E-68
Type GAR	E40, 41	Type GC-CT	E-69
Types GAR-BU, GAR3902, GAR-RB	E-42	Type GIE-G	E-70
Type GAR-TC	E-43	Type GCB63T13G1	E-71
Type GD	E-44	Static Discharge Reels	E-72
Type GP	E-45	Rail Connectors	E-73
Type GA-H	E-46	Type QGFL	E-74
Type GK	E-47	Raised Floor Ground Connectors	
BONDIT® Intersystem Bonding		SUPER-CLAMP™ (Type GXP)	E-75
House or Meter Socket Mount	E-48	UNIGROUND™ (Type GRF)	E-76
Wall Mounted	E-49	Types GP-G1, GP-RT	E-77
Water Pipe Grounding	E50-54	Bus Bar (Type BBB)	E-78, 79
Type GC-A	E-55	Type BWB680 Series Pool Water Bonding Kit	E-80
Types GRC, GCRT1/0, GRL	E-56		

TABLE OF CONTENTS (continued)
BURNDYWeld® Exothermic Grounding

<p>BURNDYWeld® Introduction..... E-81</p> <p>Making a BURNDYWeld® Connection..... E-82</p> <p>QIKLITE® BURNDYWeld® Battery Ignition System..... E-83</p> <p>BURNDYWeld® Weld Metal..... E-84</p> <p>Type BCC-1 Molds Horizontal End to End..... E-85</p> <p>Type BCC-2 Molds Horizontal Cable Tap to Horizontal Cable Run E-86</p> <p>Type BCC-4 Molds Horizontal to Horizontal Cable Cross E-87</p> <p>Type BCC-11 Molds Horizontal to Horizontal Cable Cross E-88</p> <p>Type BCC-6 Molds Horizontal Parallel Tap E-89</p> <p>Type BCC-14 Molds Horizontal Parallel through Cables..... E-89</p> <p>Type BCC-7 Molds Horizontal Parallel through Cables..... E-90</p> <p>Type BCR-1 Molds Horizontal Cable Terminal to Ground Rod..... E-91</p>	<p>Type BCR-2 Molds Horizontal Cable to Ground Rod E-92</p> <p>Type BCR-3 Molds Horizontal through Cable to Ground Rod..... E-93</p> <p>Type BCR-17 Molds Horizontal Run and Tap Cables to Ground Rod E-94</p> <p>Type BCR-24 Molds Horizontal Parallel Run Cables to Ground Rod E-95</p> <p>SINGLE SHOT MOLDS..... E-96</p> <p>Type BCS-1 Molds Horizontal Cable to Horizontal Steel Surface E-97</p> <p>Type BCS-8 Molds Horizontal Cable to Horizontal Steel Surface E-97</p> <p>Type BCS-2 Molds Horizontal through Cable to Horizontal Steel Surface E-98</p> <p>Type BCS-9 Molds Horizontal Cable to Horizontal Steel Surface E-98</p> <p>Type BCS-3 Molds Angular Cable Drop to Vertical Steel Surface..... E-99</p> <p>Type BCS-23 Molds Vertical Cable Drop to Vertical Steel Surface..... E-100</p>	<p>Type BCS-4 Molds Vertical through Cable to Vertical Steel Surface E-100</p> <p>Type BCS-6 Molds Horizontal through Cable to Vertical Steel Surface..... E-101</p> <p>Type BCS-7 Molds Overhead Vertical Tap Cable to Vertical Steel Surface E-101</p> <p>Type BCS-18 Molds Horizontal Tap Cable to Vertical Steel Surface..... E-102</p> <p>Type BCS-5 Molds Horizontal Cable Tap to Horizontal Cast Iron Surface..... E-102</p> <p>Type BCRE-1 Molds Horizontal Parallel Tap to Rebar E-103</p> <p>Type BCRE-2 Molds Horizontal Parallel Tap to Horizontal Rebar Run E-104</p> <p>Type BCRE-3 Molds Horizontal through Cable to Vertical Rebar E-105</p> <p>Type BCRE-4 Molds Horizontal through Cable to Horizontal Rebar..... E-106</p> <p>Type BCRE-6 Molds Horizontal Cable Tap to Vertical Rebar..... E-107</p>
---	--	--

E-3

**TABLE OF CONTENTS (continued)
BURNDYWeld® Exothermic Grounding (continued)**

GROUNDMAX®	E-108, 109	BURNDYWeld® Tool Kits	E-114
GRIDMAX™	E-110	BURNDYWeld® Tools	E-114
B-106 & B-107 Handle Clamps	E-111	B38-0101-00 Rasp	E-114
B40-0106-75 Handle Attachment	E-111	B38-0309-00 Flint Ignitor	E-114
Mold Support Clamp	E-111	Ground Rod Driving Sleeves	E-115
Vertical Magnetic Clamps	E-112	Shim Stock, Adapter Sleeves	E-115
Horizontal & Vertical Chain Clamps	E-112		
BURNDYWeld® Accessories	E-113, 114		
B38-0330-00 Cable Clamp	E-113		
Cable Cleaning Brush & Card Cloth Brush	E-113		
Mold Cleaners	E-113		
Packing Material	E-113		

E-4

TABLE OF CONTENTS (continued)
Wiley Solutions

Wiley Introduction E-116

ACE Conduit Entry Box E-117

Bonding Jumpers E-118-120

Clamping Solutions E-121, 122

Grounding Lugs E-123, 124

WEEB® Washers E-125-131

Wiley Cable Clips E-132, 133

Wiley Bundle Strap E-134

Wiley Insulated Wire Management E-135



THE HYGROUND® IRREVERSIBLE COMPRESSION SYSTEM



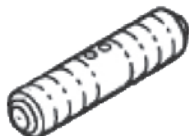





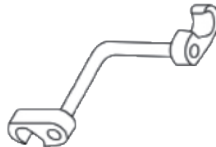
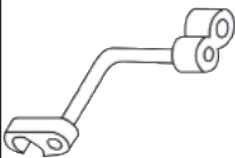
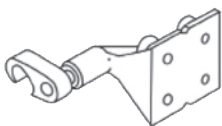
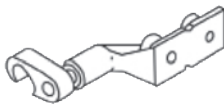
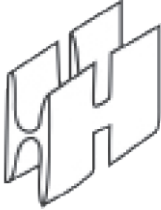


BURNDY® has developed an irreversible compression ground system which meets the most stringent safety and performance requirements, including those of OSHA and nuclear power plant design. Performance excellence and long life expectancy are the system's basic design guidelines. It is a complete system which consists of connectors for grid cross connections, taps, splices, cable to ground rod, ground plates and terminations.

Our irreversible compression ground connectors employ well-proven design principles and technology that have been in existence for over 60 years.

Connectors are just one component of our Irreversible Compression Ground System. Installation tooling is also an integral part of this system. BURNDY® pioneered the compression connector principle and continues today to be the leader in compression technology. Our tooling package is the most extensive in the industry and affords the user many options.

E-7

(LEGEND)

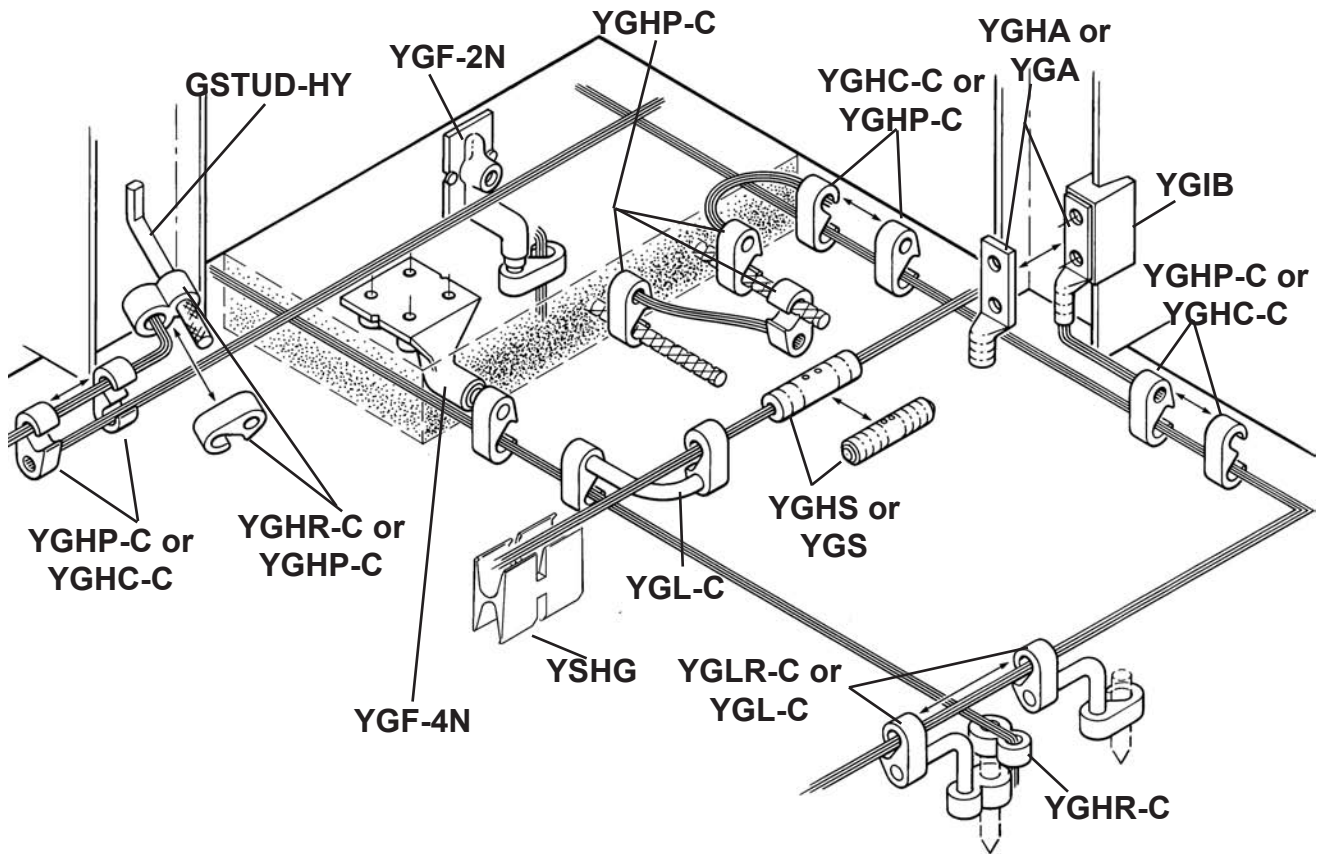
				
YGHA	YGA	YGHS	YGS	YG-B
				
YGHP-C	YGHC-C	YGIB	YGL-C	YGLR-C
				
YGF-4N	YGF-2N	YSHG	YGHR-C	GSTUD-HY

THE HYGROUND® IRREVERSIBLE COMPRESSION SYSTEM

Example:

BURNDY® HYGROUND® Compression Connector Grid

E-8

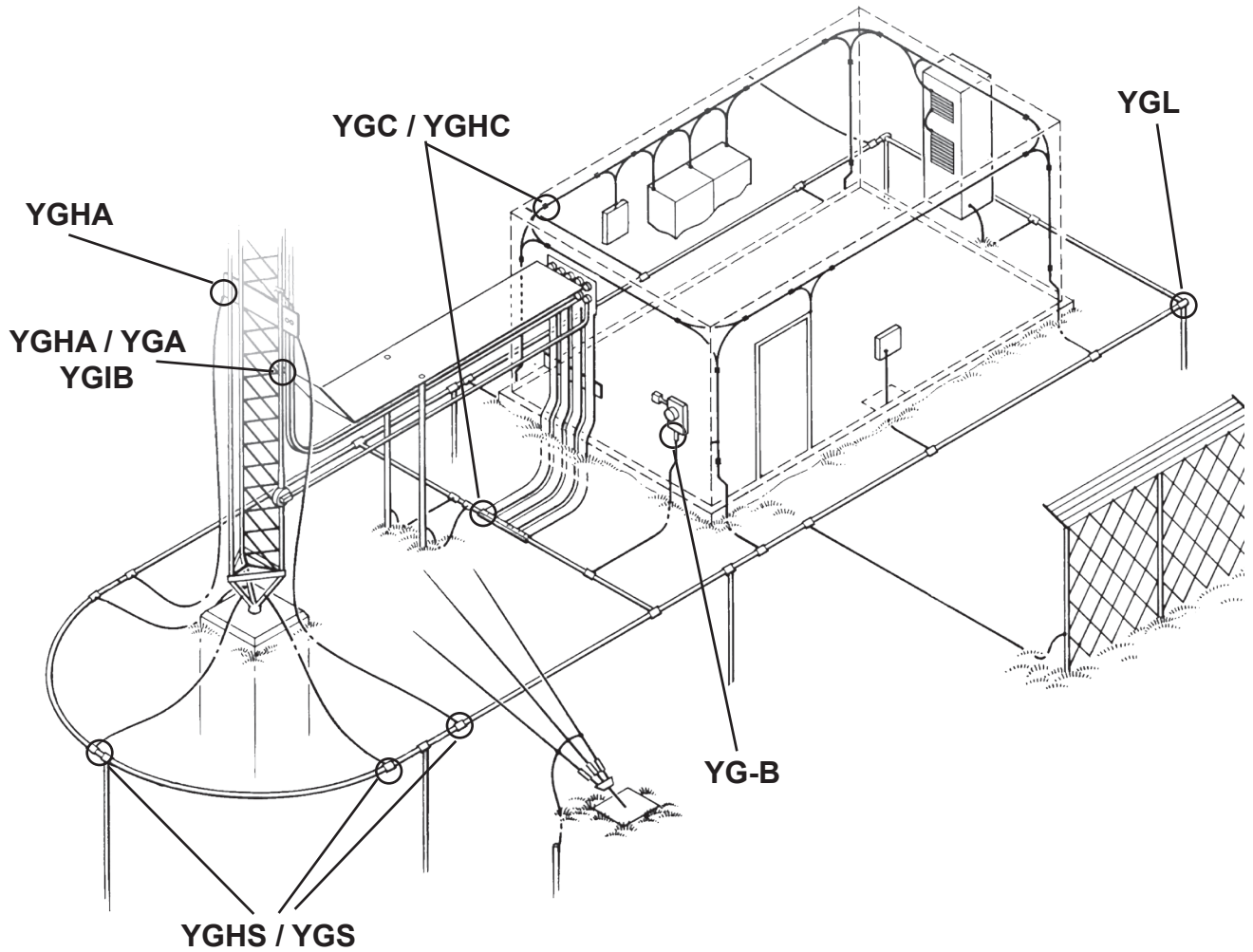


See Legend on Page E-7

THE HYGROUND® IRREVERSIBLE COMPRESSION SYSTEM

Example:

BURNDY® HYGROUND® Wireless Communications Ground Ring Compression Connector System



E-9

See Legend on Page E-7

THE HYGROUND® IRREVERSIBLE COMPRESSION SYSTEM

(Continued)

Features and Benefits

E-10

- Irreversible compression.
 - ◇ Meets NEC code, section 250.
- Material-pure wrought copper extrusions, rod and seamless tubing—identical material to the conductor.
 - ◇ Completely eliminates the possibility of galvanic corrosion due to dissimilar metals.
- Heavy duty connector design.
 - ◇ All connectors will carry the equivalent or greater current carrying capacity of the conductor while maintaining high mechanical strength and electrical integrity.
- Range taking design—minimum number of connector combinations required to install a conductor range of #6 solid to 500 kcmil plus 1/2", 5/8", 3/4", and 1" ground rods and rebar.
 - ◇ Inventories are kept to a minimum and product selection is simplified.
- System engineered tooling.
 - ◇ Each tooling recommendation has been designed to ensure reliability of the connection.
- Irreversible compression connectors can be installed in all kinds of weather.
 - ◇ Eliminates costly construction delays and enables the installer to better schedule his job.
- May be installed without special training or special tools. Y750 crimps entire range.
 - ◇ Low installed cost.
 - ◇ Simplified installation.

- Each connection can be made in less than 3 minutes.
 - ◇ Low installed cost.
 - ◇ Simplified installation.
- Each connector is clearly marked with catalog number, conductor size and installation die information.
 - ◇ Easy and accurate identification.
- Inspection ports are provided to assure proper insertion of the conductor.
 - ◇ Built-in quality assurance.
- The die index number is embossed on the connector after completion of the crimp.
 - ◇ Facilitates speedy inspection of installed connectors to insure consistently reliable and sound connections.
- Most HYGROUND® irreversible compression elements are prefilled with PENETROX™ and individually sealed.
 - ◇ Ensures that all contact surfaces are in the proper condition for installation.
 - ◇ Ensures the electrical integrity of the finished connection by inhibiting moisture and contaminates from entering the contact area.
- All HYGROUND® irreversible compression connectors are Listed in conformance with Underwriters Laboratories Standard UL467 and conform to applicable sections of the National Electrical Code.
 - ◇ May be used in direct burial or concrete embedded grounding applications.
- All HYGROUND® irreversible connectors (with the exception of type YGA and YGS) have been tested successfully according to requirements of Standard IEEE 837.
 - ◇ Meets tough industry performance requirements.
 - ◇ UPRECRIMP dies give added mechanical strength. UPRECRIMP 34 for 3/4" rod, UPRECRIMP 12 for 1/2" rod, and UPRECRIMP 58 for 5/8" rod (now includes undersized U.S. marketplace rods).
- Allows connection to most sizes of structural steel with no drilling, tapping, or welding.
 - ◇ Safely installed at low cost. Hot work permits are not required to install in hazardous areas

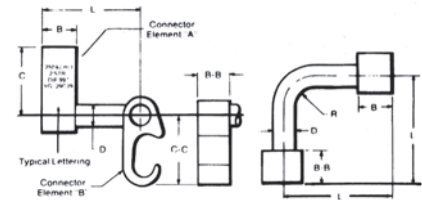
Please contact Customer Service for applications requiring IEEE-837 2014.

Ground Rod and Rebar Diameter Chart				
Size	Ground Rod		Reinforcing Bar (Rebar)	
	Material*	Diameter	Size	Diameter
1/2"	Steel	0.500	#3 (3/8")	0.375
	Copperclad	0.475	#4 (1/2")	0.500
5/8"	Steel	0.625	#5 (5/8")	0.625
	Copperclad	0.563	#6 (3/4")	0.750
3/4"	Steel	0.750	#7 (7/8")	0.875
	Copperclad	0.682	#8 (1")	1.000
1"	Steel	1.000	#9 (1-1/8")	1.128
	Copperclad	0.914	—	—

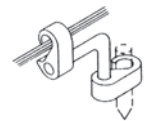
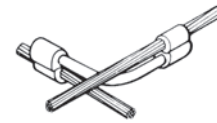
TYPE YGL-C

HYGRID™ CROSS CONNECTOR

An irreversible compression ground grid cross connector which allows adjustment of the compression elements prior to installation. Only six connectors and four dies are required to install all combinations from #6 solid through 500 kcmil. UL467 Listed. Acceptable for direct burial in earth and concrete. Prefilled with PENETROX™ compound and strip sealed.



IEEE-837*



E-11

Catalog Number	B	BB	C	C-C	D	L	R
YGL2C2	0.75	0.75	1.09	1.09	0.31	2.50	0.31
YGL29C2			1.66	1.09	0.31		0.31
YGL29C29			1.66	1.66	0.50		0.50
YGL34C2			2.09	1.09	0.31		0.31
YGL34C29			2.09	1.66	0.50		0.50
YGL34C34	1.10	1.10	2.28	2.28	0.75		0.75

~ UL96 Listed for Lightning Protection.



Catalog Number	Cable to Cable		Cable to Ground Rod		To Rebar
	Element "A"	Element "B"	Element "A"	Element "B"	Element "A"
YGL2C2	#6 Sol. (0.162) - #2 Str. (0.292) {59500} - {59500}	#6 Sol. (0.162) - #2 Str. (0.292) {59500} - {59500}	—	—	—
YGL29C2	#1 Str. (0.332) - 250 kcmil (0.575) {98500} - {131500}	#6 Sol. (0.162) - #2 Str. (0.292) {59500} - {59500}	1/2" - 5/8" Rod	#6 Sol. (0.162) - #2 Str. (0.292)	3/8" - 1/2"
YGL29C29	#2 Str. (0.292) - 250 kcmil (0.575) {65500} - {131500}	#2 Str. (0.292) - 250 kcmil (0.575) {65500} - {131500}	1/2" - 5/8" Rod	#2 Str. (0.292) - 250 kcmil (0.575)	#3 - 4 Rebar
YGL34C2	250 kcmil (0.575) - 500 kcmil (0.813)	#6 Sol. (0.162) - #2 Str. (0.292)	5/8" - 3/4" Rod	#6 Sol. (0.162) - #2 Str. (0.292)	5/8" - 3/4" #5 - 6 Rebar
YGL34C29		#2 Str. (0.292) - 250 kcmil (0.575)		#2 Str. (0.292) - 250 kcmil (0.575)	
YGL34C34		250 kcmil (0.575) - 500 kcmil (0.813)		250 kcmil (0.575) - 500 kcmil (0.813)	

Dimensions in brackets { } represent lightning protection conductors.

Catalog Number	Installation Tools, Die Set Catalog Number (Number of Crimps)							
	Y750/Y35/Y39 HYPRESS™		PAT750-18V		Y45 HYPRESS™		Y46 HYPRESS™	
	Element "A"	Element "B"	Element "A"	Element "B"	Element "A"	Element "B"	Element "A"	Element "B"
YGL2C2	U-O (1)	U-O (1)	U-O (1)	U-O (1)	U-O (1)	U-O (1)	U-O (1)	U-O (1)
YGL29C2	U997 (1)	U-O (1)	③ U997P (1)	U-O (1)	U997 (1)	U-O (1)	U997 (1)	U-O (1)
YGL29C29	U997 (1)	U997 (1)	③ U997P (1)	③ U997P (1)	U997 (1)	U997 (1)	U997 (1)	U997 (1)
YGL34C2 †	PU998 (1)	PU998 (1)	PU998 (1)	U-O (1)	S998 or PU998 (1)	U-O (1)	P998 or PU998 (1)	U-O (1)
YGL34C29 †	PU998 (1)	PU998 (1)	PU998 (1)	③ U997P (1)	S998 or PU998 (1)	U997 (1)	P998 or PU998 (1)	U997 (1)
YGL34C34 †	U1011 (3)	U1011 (3)	U1011 (3)	U1011 (3)	S1011 (3)	S1011 (3)	P1011 (3)	P1011 (3)

- Where a "U" or "PU" die is recommended with Y45 HYPRESS™, a PT6515 adapter must be used.
- Where a "U" or "PU" die is recommended with the Y46 HYPRESS™, a PUADP-1 adapter must be used.

③ Polarized die for the PAT750-18V.

† These connectors can only be installed using the Y750, Y45, or Y46 HYPRESS™ with the recommended dies.

*Please contact Customer Service for applications requiring IEEE-837 2014.

NOTES:

- Before crimping, both connector elements can be turned on rod diameter "D" to any desired position.
- Clean rust and/or protective coatings from rebar prior to installation.
- When attaching connector to ground rod, ground rod must be embossed with appropriate PRECRIMP™ die. For connections that must meet IEEE 837 requirements UPRECRIMP-type PRE crimp dies must be used for maximum clamping retention.

Ground Rod Dia.	PRECRIMP Dies	
1/2"	UPRECRIMP 12	U2CABT
5/8"	UPRECRIMP 58	
3/4"	UPRECRIMP 34	

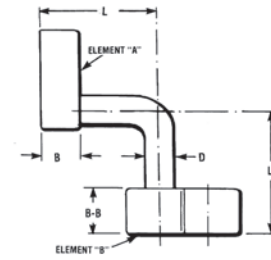
Grounding HYGROUND® Compression

BURNDY®

TYPE YGLR-C

GRIDLOK™

High Strength Irreversible
Compression Ground Rod to Grid
Connector



Ground grid connector for a wide range of copper cable to ground rod. Provides high torque strength on ground rod. UL467 Listed. Acceptable for direct burial in earth and concrete. Prefilled with PENETROX™ compound and strip sealed.

E-12



IEEE-837*



Catalog Number	B	B-B	D	L	Commercial Copper Cable Range Element "A"	Metric Copper Cable Range Element "A"	CopperWeld Cable Range Element "A"	Ground Rod Dia Element "B"
YGLR29C12	0.75	0.88 [22.4]	0.31	2.53	#2 Str. (0.292 Dia.) - 250 kcmil (0.575 Dia.)	35mm ² (7.62mm Dia.) - 120 mm ² (14.40mm Dia.)	91.65 kcmil (0.343 Dia.) - 248.8 kcmil (0.572 Dia.)	1/2" [12.7]
YGLR34C12	0.75	0.88 [22.4]	0.31	2.53	250 kcmil (0.575 Dia.) - 500 kcmil (0.813 Dia.)	120 mm ² (14.40mm Dia.) - 240 mm ² (20.35mm Dia.)	248.8 kcmil (0.572 Dia.) - 498.8 kcmil (0.810 Dia.)	
YGLR29C58	0.75	0.88 [22.4]	0.31	2.53	#2 Str. (0.292 Dia.) - 250 kcmil (0.575 Dia.)	35mm ² (7.62mm Dia.) - 120 mm ² (14.40mm Dia.)	91.65 kcmil (0.343 Dia.) - 248.8 kcmil (0.572 Dia.)	5/8" [15.9]
YGLR34C58	0.75	0.88 [22.4]	0.31	2.53	250 kcmil (0.575 Dia.) - 500 kcmil (0.813 Dia.)	120 mm ² (14.40mm Dia.) - 240 mm ² (20.35mm Dia.)	248.8 kcmil (0.572 Dia.) - 498.8 kcmil (0.810 Dia.)	
YGLR29C34	0.75	0.88 [22.4]	0.50	2.63	#2 Str. (0.292 Dia.) - 250 kcmil (0.575 Dia.)	35mm ² (7.62mm Dia.) - 120 mm ² (14.40mm Dia.)	91.65 kcmil (0.343 Dia.) - 248.8 kcmil (0.572 Dia.)	3/4" [19.1]
YGLR34C34	0.75	0.88 [22.4]	0.50	2.63	250 kcmil (0.575 Dia.) - 500 kcmil (0.813 Dia.)	120 mm ² (14.40mm Dia.) - 240 mm ² (20.35mm Dia.)	248.8 kcmil (0.572 Dia.) - 498.8 kcmil (0.810 Dia.)	
YGLR29C100	0.75	0.88 [22.4]	0.50	2.63	#2 Str. (0.292 Dia.) - 250 kcmil (0.575 Dia.)	35mm ² (7.62mm Dia.) - 120 mm ² (14.40mm Dia.)	91.65 kcmil (0.343 Dia.) - 248.8 kcmil (0.572 Dia.)	1" [25.4]
YGLR34C100	0.75	0.88 [22.4]	0.50	2.63	250 kcmil (0.575 Dia.) - 500 kcmil (0.813 Dia.)	120 mm ² (14.40mm Dia.) - 240 mm ² (20.35mm Dia.)	248.8 kcmil (0.572 Dia.) - 498.8 kcmil (0.810 Dia.)	

Catalog Number	Installation Tools, Die Set Cat. No. (Number of Crimps)							
	Y35/Y39 HYPRESS™		Y750/PAT750		② Y45 HYPRESS™		③ Y46 HYPRESS™	
	Element "A"	Element "B"	Element "A"	Element "B"	Element "A"	Element "B"	Element "A"	Element "B"
YGLR29C12	U997 (1)	PU998 (1)	U997 (1)	U1011 (2) or PU998 (1)	U997 (1)	S1012 (2) or PU998 (1)	U997 (1)	P1011 (2) or PU998 (1)
YGLR34C12	—	—	U1011 or PU998 (1)	U1011 (2) or PU998 (1)	S998 or PU998 (1)	S1012 (2) or PU998 (1)	P998 or PU998 (1)	P1011 (2) or PU998 (1)
YGLR29C58	U997 (1)	PU998 (1)	U997 (1)	U1011 (2) or PU998 (1)	U997 (1)	S1012 (2) or PU998 (1)	U997 (1)	P1011 (2) or PU998 (1)
YGLR34C58	—	—	U1011 or PU998 (1)	U1011 (2) or PU998 (1)	S998 or PU998 (1)	S1012 (2) or PU998 (1)	P998 or PU998 (1)	P1011 (2) or PU998 (1)
YGLR29C34	U997 (1)	PU998 (1)	U997 (1)	U1011 (2) or PU998 (1)	U997 (1)	S1012 (2) or PU998 (1)	U997 (1)	P1011 (2) or PU998 (1)
YGLR34C34	—	—	U1011 (2) or PU998 (1)	U1011 (2) or PU998 (1)	U1011 (2) or PU998 (1)	S1012 (2) or PU998 (1)	U1011 (2) or PU998 (1)	P1011 (2) or PU998 (1)
YGLR29C100	—	—	U997 (1)	U1011 (2) or PU998 (1)	U997 (1)	S1012 (2) or PU998 (1)	U997 (1)	P1011 (2) or PU998 (1)
YGLR34C100	—	—	U1011 (2) or PU998 (1)	U1011 (2) or PU998 (1)	U1011 (2) or PU998 (1)	S1012 (2) or PU998 (1)	U1011 (2) or PU998 (1)	P1011 (2) or PU998 (1)

NOTES:

- ② Where a "U" or "PU" die is recommended with Y45 HYPRESS™, a PT6515 adapter is required
- ③ Where a "U" or "PU" die is recommended with Y46 HYPRESS™, a PUADP-1 adapter is required

- Before crimping, both connector elements can be turned on rod diameter "D" to any desired position.
- When attaching connector to ground rod, ground rod must be embossed with appropriate PRECRIMP die. For connectors that must meet IEEE 837 requirements, UPRECRIMP-type precrimp dies must be used for maximum clamping retention. No precrimp needed if using S1012, P1011 or U1011 die sets.

*Please contact Customer Service for applications requiring IEEE-837 2014.

Ground Rod Dia.	PRECRIMP Dies	
1/2"	UPRECRIMP 12	U2CABT
5/8"	UPRECRIMP 58	
3/4"	UPRECRIMP 34	

US: 1-800-346-4175

www.burndy.com

Canada: 1-800-387-6487

TYPE YGHP-C

HYTAP™

Irreversible compression ground tap figure 6 can be used as a tap connector or as a tap splice connector. Four die sets and eight connectors can accommodate a conductor range from #8 solid through 500 kcmil plus 1/2", 5/8" and 3/4" copper bonded ground rods. UL467 Listed. Acceptable for direct burial in earth and concrete. Prefilled with PENETROX™ compound and strip sealed.



✓ UL96 Listed for Lightning Protection.

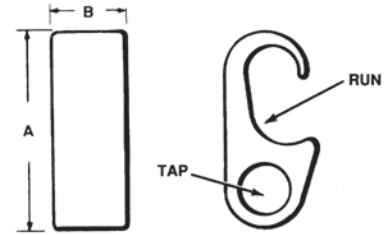


Fig. 1

Fig. 2

IEEE-837*



E-13

Catalog Number	Fig. #	Accommodates		⑨ Cable to Rebar		B	Die Index	Installation Data				
		① Run	① Tap	Run	Tap			Y750/Y35/Y39	PAT750-18V	Y45 ②	Y46 ③	# of Crimps
YGHP2C2	1	#6 Sol. (0.162) {59500} - #2 Str. (0.292) {59500}	⑥ #6 Sol. (0.162) {59500} - #2 Str. (0.292) {59500}	—	—	0.75	O	UO	UO	UO	UO	1
YGHP2C6W6W ⑦	2	#6 Sol. (0.162) - #2 Str. (0.292)	#8 Sol. (0.128) - #6 Str. (0.184) Qty. 2	—	—							1
YGHP29C6W6W ⑦	2		#8 Sol. (0.128) - #6 Str. (0.184) Qty. 2	#3 Rebar 3/8 - 1/2 #4 Rebar	#8 Sol. - 6 Str.							1
YGHP29C2	1	1/0 Str. (0.372) {98500} - 250 kcmil (0.575) {131500}	#4 Sol. (0.204) {#4 Sol.} - #2 Str. (0.292) {#2 Str.}	#3 Rebar 3/8 - 1/2 #4 Rebar	#2 Str.	2.31	997	U997	U997P ④	U997	U997	1
YGHP29C26	1	1/2" - 5/8" Rod	1/0 Str. (0.372) {98500} - 2/0 Str. (0.419) {98500}	#3 Rebar 3/8 - 1/2 #4 Rebar	1/0 Str. - 2/0 Str.							1
YGHP29C29 ⑧	1		3/0 Str. (0.470) {131500} - 250 kcmil (0.575) {211500}	#3 Rebar 3/8 - 1/2 #4 Rebar	3/0 Str. - 250 kcmil							1
YGHP34C2 ⑤	1	250 kcmil (0.575) {250 kcmil} - 500 kcmil (0.813) {500 kcmil} 5/8" - 3/4" Rod	#4 Sol. (0.204) - #2 Str. (0.292)	#5 Rebar 5/8 - 3/4 #6 Rebar	—	998	PU998	PU998	PU998 or S998	PU998 or P998	1	
YGHP34C26 ⑤	1		1/0 Str. (0.372) {98500} - 2/0 Str. (0.419) {98500}	#5 Rebar 5/8 - 3/4 #6 Rebar	1/0 Str. - 2/0 Str.						1	
YGHP34C29 ⑤	1		3/0 Str. (0.470) {131500} - 250 kcmil (0.575) {211500}	#5 Rebar 5/8 - 3/4 #6 Rebar	3/0 Str. - 250 kcmil						1	
YGHP34C34 ⑤	1	250 kcmil (0.575) - 500 kcmil (0.813) 5/8" - 3/4" Rod	350 kcmil (0.681) - 500 kcmil (0.843)	#5 Rebar 5/8 - 3/4 #6 Rebar	350 kcmil - 500 kcmil	2.75	1011	U1011	U1011	S1011	P1011	3

NOTES:

- ① Dimensions in brackets { } represent lightning protection conductors.
- ② Where a "U" or "PU" die is recommended with Y45 HYPRESS™, a PT6515 adapter is required.
- ③ Where a "U" or "PU" die is recommended with Y46 HYPRESS™, a PUADP-1 adapter is required.
- ④ Polarized die for the PAT750 series tool.
- ⑤ These connectors can only be installed using the Y750, Y45 or Y46 series of HYPRESS™ tools; cannot be installed with the Y35 or Y39 series.

- ⑥ When using #6 Sol in tap, fold conductor double for improved fill.
- ⑦ Not UL96/CSA
- ⑧ When using 3/0 in tap, minimum run conductor must be 2/0 Str.
- ⑨ Clean rust and protective coatings from rebar prior to installation to provide proper ground connection. Pre-crimping is not required.

*Please contact Customer Service for applications requiring IEEE-837 2014.

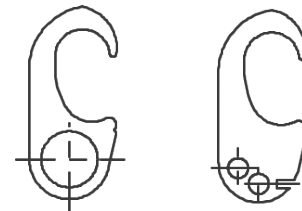
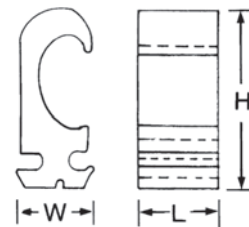
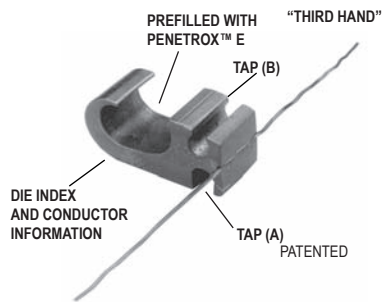
Ground Rod Dia.	PRECRIMP Dies	
1/2"	UPRECRIMP 12	U2CABT
5/8"	UPRECRIMP 58	
3/4"	UPRECRIMP 34	

For increased rotational resistance on ground rods, pre-crimp ground rod with U2CABT, UPRECRIMP dies may be used for even greater rotation and vibration resistance on ground rods.

TYPE YGHP-C

HYTAP™ CONNECTOR

High Strength Copper Irreversible Compression Ground Rod Tap Connector



Features & Benefits

- Tap (A) accepts a continuous run on tap conductor. Tap (B) accepts a tap conductor only
 - ◊ One connector style can be used for many applications, reducing number of connectors in inventory
- Material is high conductivity wrought copper extrusion, identical material to the conductor
 - ◊ High-conductivity copper minimizes resistance and voltage drop. Eliminates the possibility of corrosion due to dissimilar metals
- System engineered tooling
 - ◊ The tooling recommendation has been designed to ensure a reliable, dependable connection every time
- The die index number is embossed on conductor after completion of crimp
 - ◊ Facilitates speedy inspection of installed connectors to insure consistently reliable and dependable connections

- Prefilled with PENETROX™ E and individually sealed in clear polyethylene sheet
 - ◊ Ensures the electrical integrity of the finished connection by inhibiting moisture and contaminants from entering the contact area. Maintains long-term high-conductivity
- UL467 Listed
 - ◊ May be used in direct burial or concrete embedded grounding applications. Provides quality assurance to recognized industry NEC standards from an independent party
- "Third Hand" constrains conductors while installer completes crimp, included with each connector
 - ◊ Simplifies installation, reducing installed cost

E-14

Type YGHP-C irreversible compression ground tap figure 6 can be used as a ground rod tap connector for both continuous run and tapping applications. An open groove allows ground rod to be connected to a continuous run or tap. The second groove is for a tap only. Prefilled with PENETROX™ E and strip sealed. UL467 Listed for direct burial in earth or concrete. *For applications requiring IEEE-837 2014, please contact Customer Service.

IEEE-837*



SINGLE TAP



CONTINUOUS RUN



CONTINUOUS RUN AND TAP

Catalog Number	Ground Rod Dia. ①	Tap Conductor ②	Dimensions			Installation Tooling Die Number ③ (# of Crimps)		Die Index
			H	L	W	Y35/Y750/PAT750 HYPRESS™	④ Y46 HYPRESS™	
YGHP58C2W-2	1/2" - 5/8"	#2 Sol. - #6 Sol. Copper (1) Continuous Run and (1) Tap or up to (2) Taps may be connected	1.90"	0.75"	0.94"	U997 (1)	U997 (1)	997
YGHP58C2W-2TN								

① Ground rod must be precrimped with die U2CABT (Index 348); for greater rotational resistance use UPRECRIMP die; Galvanized Steel Rods require YGHP58C2W-2TN

② Either tap position may be left void when fewer than (2) conductors are used

③ See Tooling Section in Master Catalog for complete tool and die listing

④ Use PUADP-1 with "U"-dies in Y46

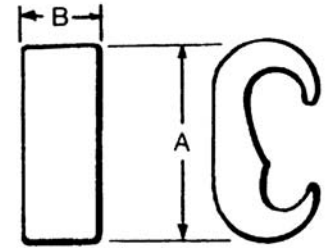
NOTE:

A 12" bend radius is recommended for the conductor

TYPE YGHC-C

HYTAP™ CONNECTOR

Irreversible compression ground tap figure “C” connectors. Accommodates all cable combinations from #6 solid through 500 kcmil. “C”- shaped opening permits placing two continuous parallel cables into conductor groove. UL 467 Listed. Acceptable for direct burial in earth or concrete. Prefilled with PENETROX™ compound and strip sealed. Certain sizes are also UL467 Listed and CSA Certified for wire to ground rod.



IEEE-837*



E-15

✓ UL96 Listed for Lightning Protection.

Catalog Number	① Commercial Copper Cable to Cable or Cable to Ground Rod		Stranded Copper Cable Range Metric		A	B	Die Index No.	Installation Data			No. of Crimps
	②		Run	Tap				Y750/Y35/PAT750/Y39	Y45	Y46	
	Run	Tap									
YGHC2C2	#6 Sol. (0.162) #2 Str. (0.292) 1/4" Rod ^⑤	#6 Sol. (0.162) #2 Str. (0.292)	10 mm ² (4.12 mm) 35 mm ² (7.62 mm)	10 mm ² (4.12 mm) 35 mm ² (7.62 mm)	1.16	0.75	C	U-C	U-C	U-C	1
YGHC26C2	1 Str. (0.328) {98500} 2/0 Str. (0.419) {98500} 3/8" Rod ^⑤	#6 Sol. (0.162) {#6 Sol.} #2 Str. (0.292) {#2 Str.}	35 mm ² (7.62 mm) 70 mm ² (10.9 mm)	10 mm ² (4.12 mm) 35 mm ² (7.62 mm)	1.41	0.75	O	U-O	U-O	U-O	1
YGHC26C26	1 Str. (0.328) {98500} 2/0 Str. (0.419) {98500} 3/8" Rod ^⑤	1 Str. (0.328) {98500} 2/0 Str. (0.419) {98500}	35 mm ² (7.62 mm) 70 mm ² (10.9 mm)	35 mm ² (7.62 mm) 70 mm ² (10.9 mm)	1.54	0.75	O	U-O	U-O	U-O	1
YGHC29C26	3/0 Str. (0.470) {3/0 Str.} 250 kcmil (0.575) {250 kcmil} 1/2" or 5/8" Rod ^⑤	6 Sol. (0.162) {59500} 2/0 Str. (0.419) {98500}	95 mm ² (12.5 mm) 120 mm ² (14.4 mm)	10 mm ² (4.10 mm) 70 mm ² (10.90 mm)	1.97	0.75	997	U997	U997	U997	1
YGHC29C29	3/0 Str. (0.470) 250 kcmil (0.575) 1/2" or 5/8" Rod ^⑤	3/0 Str. (0.470) 250 kcmil (0.575)	95 mm ² (12.5 mm) 120 mm ² (14.4 mm)	95 mm ² (12.5 mm) 120 mm ² (14.4 mm)	2.06	0.88	997	U997	U997	U997	1
YGHC34C26 ^⑥	300 kcmil (0.630) {300 kcmil} 500 kcmil (0.813) {500 kcmil} 3/4" Rod ^⑤	6 Sol. (0.162) {59500} 2/0 Str. (0.419) {98500}	150 mm ² (16 mm) 240 mm ² (20.35 mm)	10 mm ² (4.10 mm) 70 mm ² (10.90 mm)	2.42	0.88	1011	U1011	S1011	P1011	2
YGHC34C29 ^⑥	300 kcmil (0.630) 500 kcmil (0.813)	3/0 Str. (0.470) 250 kcmil (0.575)	150 mm ² (16 mm) 240 mm ² (20.35 mm)	95 mm ² (12.5 mm) 120 mm ² (14.4 mm)	2.67	0.88	1011	U1011	S1011	P1011	2
YGHC34C34 ^⑥	300 kcmil (0.630) 500 kcmil (0.813)	300 kcmil (0.630) 500 kcmil (0.813)	150 mm ² (16 mm) 240 mm ² (20.35 mm)	150 mm ² (16 mm) 240 mm ² (20.35 mm)	2.91	1.10	1011	U1011	S1011	P1011	3

① Dimensions in brackets { } represent lightning protection conductors

② For ground rod to wire applications, ground rod must be precrimped; see table for appropriate precrimp dies

③ Where a "U" or "PU" die is recommended with the Y45 HYPRESS™, a PT6515 adapter must be used

④ Where a "U" or "PU" die is recommended with the Y46 HYPRESS™, a PUADP-1 adapter must be used

⑤ Ground rod to copper cable is UL467 Listed for direct burial in earth and concrete

⑥ These connectors cannot be installed with the Y35 or Y39 HYPRESS™

NOTES:

Listed under UL486A for copper wire connectors

For connectors without PENETROX™ oxide inhibitor, add suffix "NP" to the end of the catalog number (example: YGHC2C2-NP)

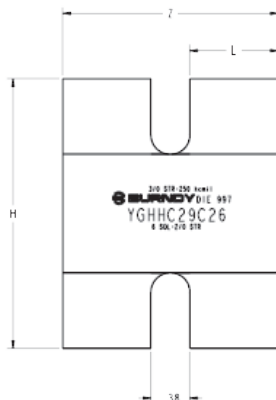
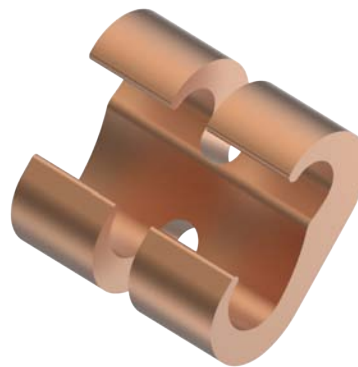
*Please contact Customer Service for applications requiring IEEE-837 2014.

Ground Rod Dia.	PRECRIMP Dies	
1/2"	UPRECRIMP 12	U2CABT
5/8"	UPRECRIMP 58	
3/4"	UPRECRIMP 34	

TYPE YGHHC-C

HYTAP™ CONNECTOR

Irreversible compression ground tap figure “C” connectors. Accommodates all cable combinations from #6 solid through 500 kcmil. “C”- shaped opening permits placing two continuous parallel cables into conductor groove. The YGHHC-C series is qualified to IEEE-837 2014. Prefilled with PENETROX™ compound and strip sealed.



E-16



IEEE-837



Catalog Number	Commercial Copper Cable to Cable or Cable to Ground Rod		Stranded Copper Cable Range Metric		H	L	Z	Die Index No.	Installation Data			No. of Crimps
	Run	Tap	Run	Tap					Y750/Y35/ PAT750/Y39	Y45 ③	Y46 ④	
YGHHC26C26	1 Str. (0.328) 2/0 Str. (0.419) 3/8" Rod	1 Str. (0.328) 2/0 Str. (0.419)	35 mm ² (7.62 mm) 70 mm ² (10.9 mm)	35 mm ² (7.62 mm) 70 mm ² (10.9 mm)	1.54 [39]	0.75 [19]	1.88 [48]	0	U-O	U-O	U-O	2
YGHHC29C26	3/0 Str. (0.470) 250 kcmil (0.575) 1/2" or 5/8" Rod	6 Sol. (0.162) 2/0 Str. (0.419)	95 mm ² (12.5 mm) 120 mm ² (14.4 mm)	10 mm ² (4.10 mm) 70 mm ² (10.90 mm)	1.97 [50]	0.88 [22]	2.13 [54]	997	U997	U997	U997	2
YGHHC29C29	3/0 Str. (0.470) 250 kcmil (0.575) 1/2" or 5/8" Rod	3/0 Str. (0.470) 250 kcmil (0.575)	95 mm ² (12.5 mm) 120 mm ² (14.4 mm)	95 mm ² (12.5 mm) 120 mm ² (14.4 mm)	2.06 [52]	0.88 [22]	2.13 [54]	997	U997	U997	U997	2
YGHHC34C26 ⑥	300 kcmil (0.630) 500 kcmil (0.813) 3/4" Rod	6 Sol. (0.162) 2/0 Str. (0.419)	150 mm ² (16 mm) 240 mm ² (20.35 mm)	10 mm ² (4.10 mm) 70 mm ² (10.90 mm)	2.42 [62]	0.88 [22]	2.13 [54]	1011	U1011	S1011	P1011	4
YGHHC34C29 ⑥	300 kcmil (0.630) 500 kcmil (0.813)	3/0 Str. (0.470) 250 kcmil (0.575)	150 mm ² (16 mm) 240 mm ² (20.35 mm)	95 mm ² (12.5 mm) 120 mm ² (14.4 mm)	2.67 [68]	0.88 [22]	2.13 [54]	1011	U1011	S1011	P1011	4
YGHHC34C34 ⑥	300 kcmil (0.630) 500 kcmil (0.813)	300 kcmil (0.630) 500 kcmil (0.813)	150 mm ² (16 mm) 240 mm ² (20.35 mm)	150 mm ² (16 mm) 240 mm ² (20.35 mm)	2.91 [74]	1.10 [28]	2.58 [66]	1011	U1011	S1011	P1011	6

- ② For ground rod to wire applications, ground rod must be precrimped; see table for appropriate precrimp dies
- ③ Where a "U" or "PU" die is recommended with the Y45 HYPRESS™, a PT6515 adapter must be used
- ④ Where a "U" or "PU" die is recommended with the Y46 HYPRESS™, a PUADP-1 adapter must be used

⑥ These connectors cannot be installed with the Y35 or Y39 HYPRESS™

Ground Rod Dia.	PRECRIMP Dies	
1/2"	UPRECRIMP 12	U2CABT
5/8"	UPRECRIMP 58	
3/4"	UPRECRIMP 34	

TYPE YGC

COPPER CRIMPIT™

UL 467 Listed for direct burial in earth or concrete.
Prefilled with PENETROX™ E2 oxide inhibitor.



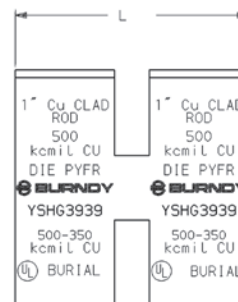
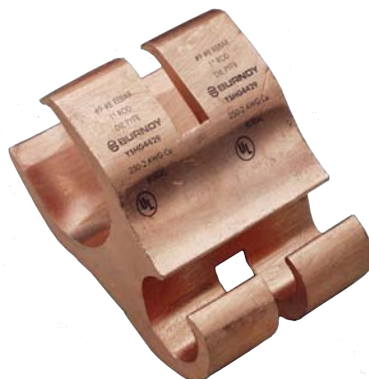
E-17

Catalog Number	Copper Conductor (Sol. & Str.)		H	L	Die Index	OUR840	MD6/MD7	Number of Crimps
	Run	Tap						
YGC8C8	8 AWG	8 AWG	0.46	0.52	162	W162	W162	2
YGC6C8	6 AWG	8 AWG	0.73	0.62	BG	XBG	WBG	2
YGC6C6	6 AWG	6 AWG	0.76	0.62	BG	XBG	WBG	2

TYPE YSHG

High Strength Irreversible Compression Double H-Tap Connector

Type YSHG Double H-Tap grounding series is comprised of five connectors designed to accommodate wire range sizes #14 through 500 kcmil, including ground rod sizes: 3/4", 1", and rebar sizes: #6, #7, #8 and #9. Prefilled with PENETROX™ E2 and strip sealed.



Features & Benefits

- UL467 Listed
 - ◇ Suitable for direct burial in earth or concrete.
- Material is high conductivity copper extrusion
 - ◇ Minimizes resistance, eliminates corrosion due to dissimilar metals.
- Grooves are prefilled with PENETROX™ E2 oxide inhibitor and individually sealed
 - ◇ Inhibits moisture and contaminants ensuring electrical integrity.

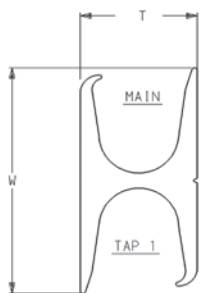


Fig. 1

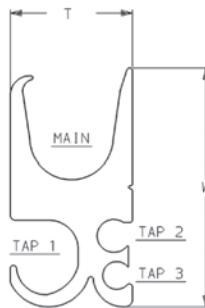


Fig. 2

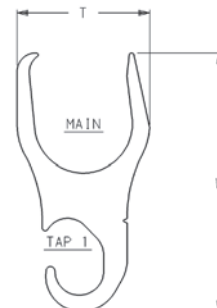


Fig. 3

Catalog Number	Fig. #	Conductor Sizes				Tooling (# of crimps)		Index Embossment	W ±.06	T ±.04	L ±.06
		Main	Tap 1	Tap 2	Tap 3	PAT750/Y750	Y46				
YSHG4429	3	#9 & #8 Rebar, 1" [25] Ground Rod	250 - 2	—	—	—	PYFR (2)	KR	3.22	1.70	2.44
YSHG3931 ①	2	#6 & #7 Rebar, 1" [25] Cu Clad Ground Rod, 3/4" Ground Rod 500 - 350 kcmil Copper	4/0 - 1/0	1 - 6	2 - 14	—	PYFR (2)	KR	2.97	1.50	2.34
YSHG3434	1	#6 Rebar, 3/4" [19] Ground Rod 400 - 250 kcmil Copper	400 - 4/0	—	—	U1104 (4)	P1104 (2) ② U1104 (4)	1104	2.43	1.15	2.44
YSHG3429	2	#6 Rebar, 3/4" [19] Ground Rod 400 - 4/0 kcmil Copper	3/0 - 1/0	1 - 4	8 - 14	U1104 (4)	P1104 (2) ② U1104 (4)	1104	2.23	1.31	2.44

① Not for use on 1" steel ground rod

② Use PUADP-1 adapter

TYPE YGHR-C

HYTAIL™

High Strength Irreversible
Compression Ground Rod Tap
Connectors

High torque strength ground rod connectors. Accommodates a wide range of copper conductors to ground rod. UL467 Listed. Acceptable for direct burial in earth or concrete. Prefilled with PENETROX™ compound and strip sealed.



IEEE-837*



E-19

Catalog Number	H	L	Commercial Copper Cable Range	Nominal Ground Rod Dia.	Installation Tools, Die Set Catalog Number (# of Crimps)			
					PAT750/Y750/ ① Y35/Y39	Y45 ① HYPRESS™	Y46 ① HYPRESS™	
YGHR26C12	1.94	0.88	#2 Str. (0.29 Dia.) - 2/0 Str. (0.42 Dia.)	1/2" [12.70]	—	S1012 (2) ② PU998 (1)	P1011 (2) ③ PU998 (1)	
YGHR26C58	1.97			5/8" [15.90]				
YGHR26C34	2.19			3/4" [19.00]				
YGHR26C100 ④	2.55			1" [25.40]				
YGHR29C12	1.94		#4/0 Str. (0.53 Dia.) - 250 kcmil (0.58 Dia.)	1/2" [12.70]		U1011 (2) PU998 (1)		S1012 (2) ② PU998 (1)
YGHR29C58	2.14			5/8" [15.90]				
YGHR29C34	2.19			3/4" [19.00]				
YGHR29C100 ④	2.45			1" [25.40]				
YGHR34C58	2.14		300 kcmil (0.63 Dia.) - 500 kcmil (0.81 Dia.)	5/8" [15.90]		S1012 (2) ② PU998 (1)		S1011 (2) S1012 (2) ② PU998 (1)
YGHR34C34 ④	2.44			3/4" [19.00]				
YGHR34C100 ④	2.45	1" [25.40]		S1011 (2)	P1011 (2)			

- ① Ground rod must be pre-crimped with die U2CABT (index 348) when the PU998 dies are used in the Y750, PAT750, Y35, Y39, Y45, Y46 and PAT46 tools; pre-crimping is not required when the P1011, S1011, S1012 or U1011 dies are used; UPRECRIMP dies may be used for additional mechanical resistance on ground rods.
- ② Where a PU998 die is recommended with the Y45 HYPRESS™, a PT6515 adapter must be used.
- ③ Where a PU998 die is recommended with the Y46 HYPRESS™, a PUADP-1 adapter must be used.
- ④ These connectors cannot be installed with the Y35 or Y39 HYPRESS™.

NOTES:
The catalog numbers shown are for unplated copper connectors for use on copper clad or stainless steel ground rod. To order electro-tin plated connectors for use on galvanized steel ground rod add suffix "-TN" to the catalog number. The ground rod hole diameter is larger for galvanized steel ground rod in the tin plated connector.

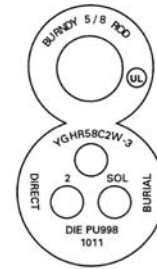
Complete die catalog numbers do not always appear on the connector, sometimes it is the die index.

*Please contact Customer Service for applications requiring IEEE-837 2014.

TYPE YGHR-C

HYTAIL™

High Strength Irreversible Compression Ground Rod Tap Connectors



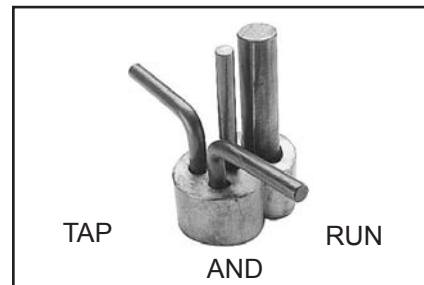
E-20

Type YGHR-C irreversible compression grounding connector is engineered specifically for the Telecommunications Industry for (1, 2 or 3) #2 solid, tinned or bare conductor taps. UL467 Listed. Acceptable for direct burial in earth or concrete. BURNDY® has designed this connector to meet the stringent requirements of OSHA, the National Electric Code (NEC), UL, and the Telecommunications Industry. Performance and long life are this connector's basic design guidelines.

Features & Benefits

- Tap side 1, 2 or 3 conductors
 - ◊ One connector style can be used for many applications.
- Material is high conductivity wrought copper extrusion, identical material to the conductor
 - ◊ High-conductivity copper minimizes resistance and voltage drop. Eliminates the possibility of corrosion due to dissimilar metals.
- System engineered tooling
 - ◊ Each tooling recommendation has been designed to provide a reliable, dependable connection.
- The die index number is embossed on connector after completion of crimp

- ◊ Facilitates speedy inspection of installed connectors to ensure consistently reliable and dependable connections.
- Prefilled with PENETROX™ and individually sealed in clear polyethylene sheet
 - ◊ Ensures the electrical integrity of the finished connection by inhibiting moisture and contaminants from entering the contact area. Maintains long-term high-conductivity.
- UL 467 Listed. Acceptable for direct burial
 - ◊ May be used in direct burial or concrete embedded grounding applications. Provides quality assurance to recognized industry NEC standards from an independent party.



Catalog Number ⑤	Ground Rod Diameter ①	Tap Conductor ⑦	Installation Tools, Die Set Catalog Number (# of Crimps)		Die Index
			PAT750/Y750 ③ Y35 ④/Y39	Y46 ②	
YGHR58C2W-3	5/8"	#2 Sol Copper 1, 2, or 3 may be connected	PU998 (1) ⑥ U1011 (2)	PU998 (1) ⑥ U1011 (2) P998 (1) P1011 (2)	998/1011

① Contact BURNDY® for other ground rod diameters
 ② PU998 and U1011 die sets require PUADP-1 adapter for use in the Y46 HYPRESS™
 ③ The PAT750 and Y750 utilize PU dies and the U1011 die
 ④ The Y35 only uses PU998 die
 ⑤ To order electro-tin plated connector for use on galvanized steel ground rod add suffix "-TN" to the catalog number; The ground rod hole diameter is larger for galvanized steel ground rod in the tin plated connector

⑥ Ground rod must be precrimped with die U2CABT (Index 348) when PU998 die set is used in the Y35, Y750 or Y46 HYPRESS™ tools; for even greater mechanical resistance use UPRECRIMP58 dies

⑦ Tap positions may be left void when fewer than (3) conductors are used

TYPE YGHA

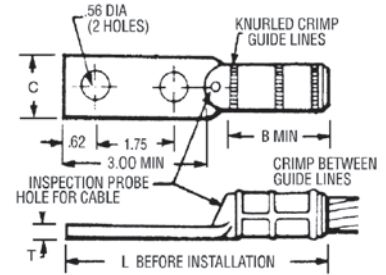
HYLUG™

Heavy Duty Irreversible Compression
Terminals

Heavy duty HYLUG™ irreversible compression terminals designed not only to carry short circuit load, but to also withstand high mechanical stress. Each conductor element has an inspection probe hole to ensure proper cable insertion. UL467 Listed. Acceptable for direct burial in earth or concrete. UL486A Listed. Prefilled with PENETROX™ compound and strip sealed.



Now
IEEE-837
2014
Qualified!



IEEE-837



E-21

Catalog Number	Copper Conductor Size	Installation Tools, Die Set Catalog Number and (# of Crimps) HYPRESS™ Y35/Y39/Y45①/Y46②/Y750/PAT750	B	C	L	T
YGHA2C-2N	2 AWG	U1CRT (1)	0.75	0.97	4.21	0.26
YGHA25-2N	1/0 AWG	U27RT (1)	0.83	0.91	4.60	0.19
YGHA26-2N	2/0 AWG	U28RT (1)	0.83	0.97	4.38	0.26
YGHA27-2N	3/0 AWG	U29RT (1)	1.18	1.08	4.94	0.29
YGHA28-2N	4/0 AWG	U30RT (2)	1.18	1.22	4.94	0.30
YGHA29-2N	250 kcmil	U31RT (2)	1.18	1.28	4.94	0.34
YGHA31-2N*	350 kcmil	U34RT (2)	1.18	1.62	5.00	0.43
YGHA34-2N	500 kcmil	U36RT (3)	1.48	1.72	5.42	0.40

① Where a "U" or "PU" die is recommended with the Y45 HYPRESS™, a PT6515 adapter must be used

② Where a "U" or "PU" die is recommended with the Y46 HYPRESS™, a PUADP-1 adapter must be used

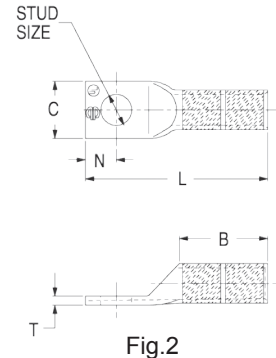
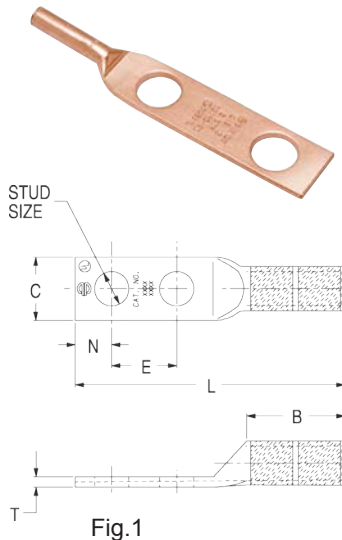
* IEEE837 2002 Qualified

TYPE YGA

HYLUG™

Grounding Irreversible Compression Terminals

Irreversible compression HYLUG™ ground terminal specifically designed for grounding applications. Each connector has an inspection probe hole to ensure proper cable insertion. UL467 Listed. Acceptable for direct burial in earth or concrete. UL486A Listed. Prefilled with PENETROX™ compound and strip sealed.



E-22



Catalog Number	Fig. #	Copper Conductor Size (Sol. & Str.)	Installation Tools, Die Set Cat. No. and (# of Crimps)			Stud Size	B	C	L	T	E
			Mechanical		Hydraulic						
			Y2MR	MD7-34R or OUR840	Y35/Y39/Y45 ①/ Y46 ②/Y750/PAT750						
YGA8C-TC10	2	8 Sol./8 Str.	Red (4)	W8CVT (2) X8CRT (2)	U8CRT (2)	#10	0.81	0.41	1.57	0.08	—
YGA8C-TC14	2	8 Sol./8 Str.	Red (4)	W8CVT (2) X8CRT (2)	U8CRT (2)	1/4	0.81	0.44	1.69	0.08	—
YGA8C-TC516	2	8 Sol./8 Str.	Red (4)	W8CVT (2) X8CRT (2)	U8CRT (2)	5/16	0.81	0.51	1.75	0.06	—
YGA8C-2N	1	8 Sol./8 Str.	Red (4)	W8CVT (2) X8CRT (2)	U8CRT (2)	1/2	0.78	0.83	4.09	0.12	1.75
YGA6C-TC10	2	6 Sol./6 Str.	Blue (4)	W5CVT (2) X5CRT (2)	U5CRT (2)	#10	1.12	0.42	1.89	0.09	—
YGA6C-TC14	2	6 Sol./6 Str.	Blue (4)	W5CVT (2) X5CRT (2)	U5CRT (2)	1/4	1.12	0.45	2.02	0.08	—
YGA6C-TC516	2	6 Sol./6 Str.	Blue (4)	W5CVT (2) X5CRT (2)	U5CRT (2)	5/16	1.12	0.51	2.08	0.07	—
YGA6C-2TC38E2G1	1	6 Sol./6 Str.	Blue (4)	W5CVT (2) X5CRT (2)	U5CRT (2)	3/8	1.12	0.58	3.42	0.06	0.75
YGA6C-2N	1	6 Sol./6 Str.	Blue (4)	W5CVT (2) X5CRT (2)	U5CRT (2)	1/2	1.09	0.83	4.40	0.12	1.75
YGA2C-2TC38	1	2 Sol./2 Str.	Brown (4)	W2CRT (2) X2CRT (2)	U2CRT (2)	3/8	1.25	0.60	3.48	0.12	1.00
YGA2C-2N	1	2 Str.	Brown (4)	W2CRT (2) X2CRT (2)	U2CRT (2)	1/2	1.22	0.83	4.71	0.12	1.75
YGA25-2N	1	1/0 Str.	—	W25VT (4) X25RT (4)	U25RT (2)	1/2	1.35	0.83	4.81	0.12	1.75
YGA26-2N	1	2/0 Str.	—	W26VT (4) X26RT (4)	U26RT (2)	1/2	1.45	0.81	4.97	0.12	1.75
YGA28-2N	1	4/0 Str.	—	W28VT (4) X28RT (4)	U28RT (2)	1/2	1.57	1.00	5.17	0.14	1.75
YGA29-2N	1	250 kcmil	—	W29VT (4)	U29RT (2)	1/2	1.57	1.09	5.21	0.16	1.75
YGA34-2N	1	500 kcmil	—	W34VT (4)	U34RT (4)	1/2	2.20	1.52	6.08	0.23	1.75

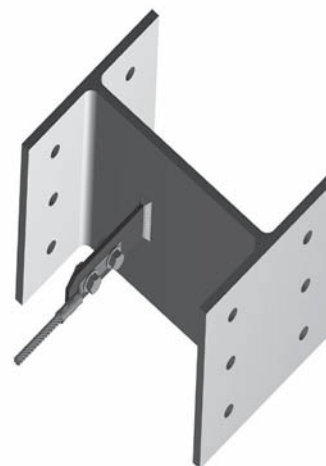
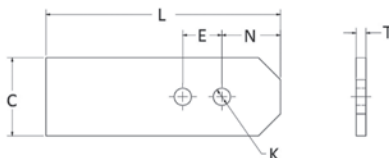
① Where a "U" or "PU" die is recommended with the Y45 HYPRESS™, a PT6515 adapter must be used

② Where a "U" or "PU" die is recommended with the Y46 HYPRESS™, a PUADP-1 adapter must be used

TYPE GROUND TAB

For any metal structure requiring grounding

The BURNDY® GROUND TAB offers a convenient attachment point for terminations of ground wires to steel structures or steel supports. The tabs are easily welded to steel, with two mounting pattern options available. The tabs are made of steel, 1/4" thick, and can be used to attach 1-hole or 2-hole terminals. Compression terminals, mechanical terminals, or SERVIT® Posts can be used to attach ground wires to steel tabs. All connection options and necessary hardware are sold separately. Often used when traditional connection methods are not practical, or when temporary grounds are required. Common applications include large generators, mobile construction site modules, housing structures built in permafrost areas, and in any metal structure requiring a permanent or temporary ground option.



Features & Benefits

- Convenient
- Can be used to attach 1-hole or 2-hole terminals
- 1/4" thick steel
- Easily welds to steel
- Many connection options
- Used when traditional options are not practical

Above: GROUND TAB with Type YGA HYGROUND® compression terminal and hardware.

Catalog Number	L Inches	C Inches	T Inches	N Inches	No. of Holes	Hole Size (K)	Hole Spacing (E) Inches
GROUND TAB1/2	6.00	2.00	1/4"	1.50	2	1/2"	1.75
GROUND TAB3/8	6.00	2.00	1/4"	1.50	2	3/8"	1.00

Right: Application image of GROUND TAB used with terminals



E-23

Grounding HYGROUND® Compression

BURNDY®

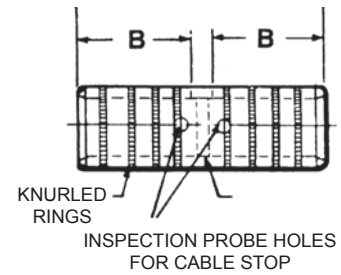
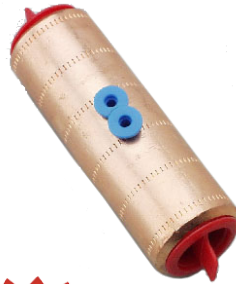
TYPE YGHS

HYLINK™

Heavy Duty Irreversible Compression Splices

Heavy duty HYLINK™ ground splice designed not only to carry short circuit load, but to also withstand high mechanical stress. Each conductor element has an inspection probe hole and a center stop to ensure proper cable insertion. UL467 Listed. Acceptable for direct burial in earth or concrete. UL486A Listed. Prefilled with PENETROX™ compound and strip sealed.

E-24



IEEE-837



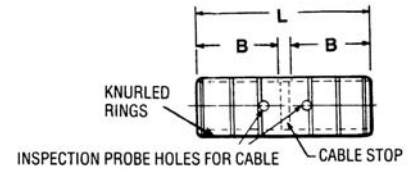
Catalog Number	Copper Conductor Size	Installation Tools, Die Set Catalog Number and (# of Crimps) HYPRESS™ Y35/Y39/Y45 ①/Y46 ②/Y750/PAT750	B	L
YGHS2C	2 AWG	U1CRT (1)	0.75	1.73
YGHS25	1/0 AWG	U27RT (1)	0.83	1.89
YGHS26	2/0 AWG	U28RT (1)	0.83	1.89
YGHS27	3/0 AWG	U29RT (1)	1.18	2.59
YGHS28	4/0 AWG	U30RT (2)	1.18	2.59
YGHS29	250 kcmil	U31RT (2)	1.18	2.59
YGHS31*	350 kcmil	U34RT (2)	1.18	2.59
YGHS34	500 kcmil	U36RT (3)	1.48	3.19

- ① Where a "U" or "PU" die is recommended with the Y45 HYPRESS™, a PT6515 adapter must be used
 - ② Where a "U" or "PU" die is recommended with the Y46 HYPRESS™, a PUADP-1 adapter must be used
- * IEEE837 2002 Qualified

TYPE YGS

HYLINK™

Grounding Irreversible Compression
Splices



Irreversible compression HYLINK™ ground splices specifically designed for grounding applications. Each conductor element has an inspection probe hole and a center stop to ensure proper cable insertion. UL467 Listed. Acceptable for direct burial in earth or concrete. UL486A Listed. Prefilled with PENETROX™ E compound and strip sealed.

E-25



Catalog Number	Copper Conductor Size	Installation Tools, Die Set Catalog Number and (# of Crimps)				B	L
		Mechanical			Hydraulic		
		Y1MRTC	MD7-34R	OUR840	Y35/Y39/45①/Y46②/ Y750/PAT750		
YGS8C	8 Sol./Str.	Red (2)	W8CRT, W8CVT	X8CRT	U8CRT (2)	0.78	1.75
YGS6C	6 Sol./Str.	Blue (2)	W5CRT, W5CVT	X5CRT	U6CRT (2)	1.09	2.38
YGS2C	2 Sol./Str.	Brown (4)	W2CVT (2)	X2CVT (2)	U2CRT (2)	1.22	2.67
YGS25	1/0 Sol./Str.	—	W25VT (4)	X25RT (4)	U25RT (2)	1.35	2.97
YGS26	2/0 Str.	—	W26VT (4)	X26RT (4)	U26RT (2)	1.45	3.13
YGS28	4/0 Str.	—	W28VT (4)	X28RT (4)	U28RT (2)	1.57	3.37
YGS29	250 kcmil	—	W29VT (4)	—	U29RT (2)	1.57	3.37
YGS34	500 kcmil	—	W34VT (4)	—	U34RT (4)	2.20	4.63

① Where a "U" or "PU" die is recommended with the Y45 HYPRESS™, a PT6515 adapter must be used
 ② Where a "U" or "PU" die is recommended with the Y46 HYPRESS™, a PUADP-1 adapter must be used

TYPE YGF

GROUNDING PLATE

The irreversible compression ground plate is designed to withstand the rigors of concrete construction. The ground plates are made of high strength, high-conductivity cast copper alloy body with a pure wrought copper compression element. In addition to the tapped NEMA size holes and spacing on the face, the plate comes with a tapped hole on the underside for ease of positioning prior to pouring the concrete. UL467 Listed. Acceptable for direct burial in earth or concrete. Prefilled with PENETROX™ compound and strip sealed.

E-26



IEEE-837*

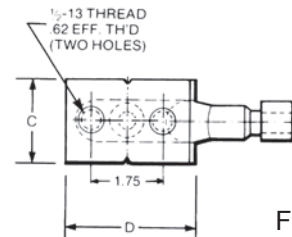


Fig. 1

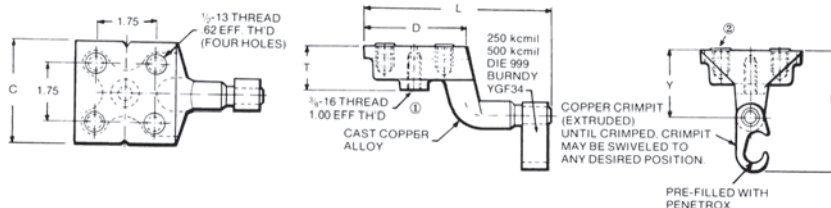


Fig. 2

NOTES:

- ① This tapped hole may be used to position the grounding plate on a threaded rod prior to placement of the concrete. 3/8-16 thread with 1.00 EFF. Thread is standard. If other thread is required, add appropriate suffix code to catalog number. -50 (1/2-13, .94 EFF. Thread), -62 (5/8-11, .94 EFF. Thread) and -75 (3/4-10, .81 EFF. Thread) Example: YGF34-4N-50 is YGF34-4N with 1/2-13 Thread
- ② Plastic plugs are provided to keep dirt out of the threaded holes until the attachment of grounding terminals

Catalog Number	Fig. #	C	D	H	L	T	Y	Copper Conductor Range	Tapped Holes		Installation Tools, Die Set Cat. No., and (# of Crimps)		
									Size	Hole Centers	HYPRESS™		
											PAT750/ Y750/Y35/ Y39	Y45 ①	Y46 ②
YGF29-2N	1	2.00	3.25	3.62	5.78	1.31	2.00	2 AWG-250 kcmil	1/2 - 13	1-3/4	U997 (1)	U997 (1)	U997 (1)
YGF29-4N	2	3.25	3.25	3.62	5.78	1.31	2.00	2 AWG-250 kcmil	1/2 - 13	1-3/4	U997 (1)	U997 (1)	U997 (1)
YGF34-2N ③	1	2.00	3.25	4.62	5.40	1.31	2.19	250 kcmil-500 kcmil	1/2 - 13	1-3/4	U1011 (3)	S1011 (2)	P1011 (2)
YGF34-4N ③	2	3.75	3.75	4.62	5.90	1.31	2.19	250 kcmil-500 kcmil	1/2 - 13	1-3/4	U1011 (3)	S1011 (2)	P1011 (2)

① Where a "U" or "PU" die is recommended with the Y45 HYPRESS™, a PT6515 adapter must be used
 ② Where a "U" or "PU" die is recommended with the Y46 HYPRESS™, a PUADP-1 adapter must be used
 ③ These connectors can only be installed using the Y750, Y45 or Y46 HYPRESS™ with recommended dies, they cannot be installed with the Y35 or Y39 HYPRESS™

*Please contact Customer Service for applications requiring IEEE-837 2014.

TYPE YGIB

GROUNDLINK™

An irreversible compression ground connection which allows attachment to a structural steel standard (angled) or wide flange (parallel) beam. Installed with a required 5-piece die set, Catalog PIPEAMKIT or UIBEAMKIT. Die index 1105. GROUNDLINK™ connectors are made of high-conductivity wrought copper and come pre-filled with PENETROX™ E compound and strip sealed. Order terminal mounting hardware separately.



IEEE-837*

Connector shipped with thread protection studs only. Order TMHG kits separately.

E-27

NOTES:

Terminal connector to be ordered separately. When I-beam connector is used with type YGHA terminal, the connection meets IEEE 837. YGA-2N, YA-2N and other BURNDY® 2-hole NEMA copper terminals are suitable.

Order TMHG Terminal Mounting Hardware Kit separately. Kit consists of 2 studs, 2 flat washers, 2 lockwashers and 2 hex nuts.

Using the 1/4 hex key wrench, screw the stud into the connector until stud bottoms out in connector. Install a YGHA terminal, flat washer, lockwasher and hex nut onto stud. Tighten and torque to 480 pound-inches.

Dimensions shown in i-Beam Flange Thickness column reflect the minimum dimensions required on a beam to properly install the i-Beam connector.

To correctly determine the appropriate YGIB connector to use based on flange thickness, order either YGIBGAUGE1 or YGIBKIT1 (KIT1 contains wiremike).

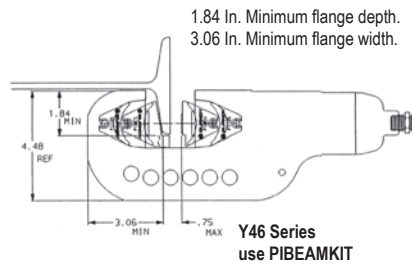


Fig. 1

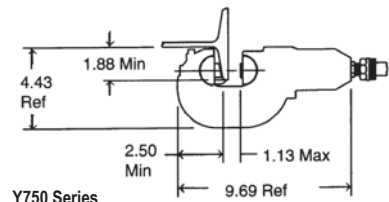
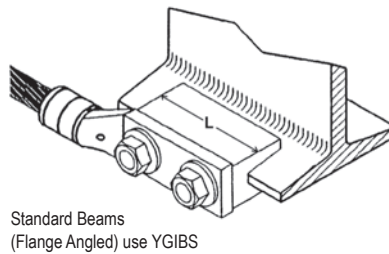
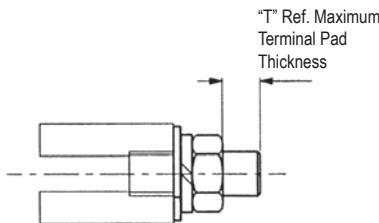
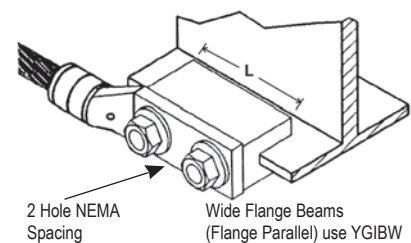


Fig. 2



TERMINAL MOUNTING HARDWARE

Catalog Number	"T"
TMHG-42	0.42
TMHG-92	0.92

NOTE: Use TMHG-92 to double stack lugs.

*Please contact Customer Service for applications requiring IEEE-837 2014.

TYPE YGIB

GROUNDLINK™ CONNECTOR

(Continued)

E-28

Catalog Number	Copper Conductor Size	Fig. #	L	J	I-Beam Flange Thickness	Suggested Terminals		T	
						Copper Conductor	Terminal		
YGIBS28-338-2N	2 AWG-4/0 AWG	1	3.00	1/2-13	0.250" - 0.338"	#2 Str. AWG	YGHA2C-2N	0.26	
						1/0 Str. AWG	YGHA25-2N	0.19	
YGIBW28-338-2N	2 AWG-4/0 AWG	2	3.00	1/2-13			2/0 Str. AWG	YGHA26-2N	0.26
							4/0 Str. AWG	YGHA28-2N	0.30
YGIBS34-338-2N	250 kcmil-500 kcmil	1	6.00	1/2-13			250 kcmil	YGHA29-2N	0.34 0.40
YGIBW34-338-2N	250 kcmil-500 kcmil	2	6.00	1/2-13		500 kcmil	YGHA34-2N	0.34 0.40	
YGIBS28-400-2N	2 AWG-4/0 AWG	1	3.00	1/2-13	0.338" - 0.400"	#2 Str. AWG	YGHA2C-2N	0.26	
						1/0 Str. AWG	YGHA25-2N	0.19	
YGIBW28-400-2N	2 AWG-4/0 AWG	2	3.00	1/2-13			2/0 Str. AWG	YGHA26-2N	0.26
							4/0 Str. AWG	YGHA28-2N	0.30
YGIBS34-400-2N	250 kcmil-500 kcmil	1	6.00	1/2-13			250 kcmil	YGHA29-2N	0.34 0.40
YGIBW34-400-2N	250 kcmil-500 kcmil	2	6.00	1/2-13		500 kcmil	YGHA34-2N	0.34 0.40	
YGIBS28-462-2N	2 AWG-4/0 AWG	1	3.00	1/2-13	0.400" - 0.462"	#2 Str. AWG	YGHA2C-2N	0.26	
						1/0 Str. AWG	YGHA25-2N	0.19	
YGIBW28-462-2N	2 AWG-4/0 AWG	2	3.00	1/2-13			2/0 Str. AWG	YGHA26-2N	0.26
							4/0 Str. AWG	YGHA28-2N	0.30
YGIBS34-462-2N	250 kcmil-500 kcmil	1	6.00	1/2-13			250 kcmil	YGHA29-2N	0.34 0.40
YGIBW34-462-2N	250 kcmil-500 kcmil	2	6.00	1/2-13		500 kcmil	YGHA34-2N	0.34 0.40	
YGIBS28-550-2N	2 AWG-4/0 AWG	1	3.00	1/2-13	0.462" - 0.550"	#2 Str. AWG	YGHA2C-2N	0.26	
						1/0 Str. AWG	YGHA25-2N	0.19	
YGIBW28-550-2N	2 AWG-4/0 AWG	2	3.00	1/2-13			2/0 Str. AWG	YGHA26-2N	0.26
							4/0 Str. AWG	YGHA28-2N	0.30
YGIBS34-550-2N	250 kcmil-500 kcmil	1	6.00	1/2-13			250 kcmil	YGHA29-2N	0.34 0.40
YGIBW34-550-2N	250 kcmil-500 kcmil	2	6.00	1/2-13		500 kcmil	YGHA34-2N	0.34 0.40	
YGIBS28-613-2N	2 AWG-4/0 AWG	1	3.00	1/2-13	0.550" - 0.613"	#2 Str. AWG	YGHA2C-2N	0.26	
						1/0 Str. AWG	YGHA25-2N	0.19	
YGIBW28-613-2N	2 AWG-4/0 AWG	2	3.00	1/2-13			2/0 Str. AWG	YGHA26-2N	0.26
							4/0 Str. AWG	YGHA28-2N	0.30
YGIBW34-613-2N	250 kcmil-500 kcmil	2	6.00	1/2-13			500 kcmil	YGHA34-2N	0.34 0.40
YGIBS28-675-2N	2 AWG-4/0 AWG	1	3.00	1/2-13	0.613" - 0.675"	#2 Str. AWG	YGHA2C-2N	0.26	
						1/0 Str. AWG	YGHA25-2N	0.19	
YGIBW28-675-2N	2 AWG-4/0 AWG	2	3.00	1/2-13			2/0 Str. AWG	YGHA26-2N	0.26
							4/0 Str. AWG	YGHA28-2N	0.30
YGIBS34-675-2N	250 kcmil-500 kcmil	1	6.00	1/2-13			250 kcmil 500 kcmil	YGHA29-2N	0.34 0.40
YGIBW34-675-2N	250 kcmil-500 kcmil	2	6.00	1/2-13		500 kcmil	YGHA34-2N	0.34 0.40	
YGIBW28-750-2N	2 AWG-4/0 AWG	3	3.00	1/2-13	0.690" - 0.750"	4/0 Str. AWG	YGHA28-2N	0.30	
YGIBW28-1000-2N	2 AWG-4/0 AWG	3	3.00	1/2-13	1.000" - 1.060"	2/0 Str. AWG	YGHA2C-2N	0.26	
						4/0 Str. AWG	YGHA28-2N	0.30	

TYPE GSTUD-HY

VERSITAIL™

Structural Steel Grounding Connector

INSTALLATION

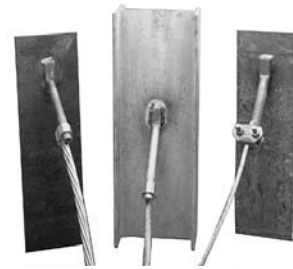
1. Weld the VERSITAIL™ to the steel member.
2. Select the proper connector for your specific application.

FOR COMPRESSION CONNECTORS

Select the proper BURNDY® “YGHP,” connector. Clean the conductor, join the VERSITAIL™ and the grounding conductor together with the recommended tool and die set, then crimp the connector over the knurled area of the VERSITAIL™.

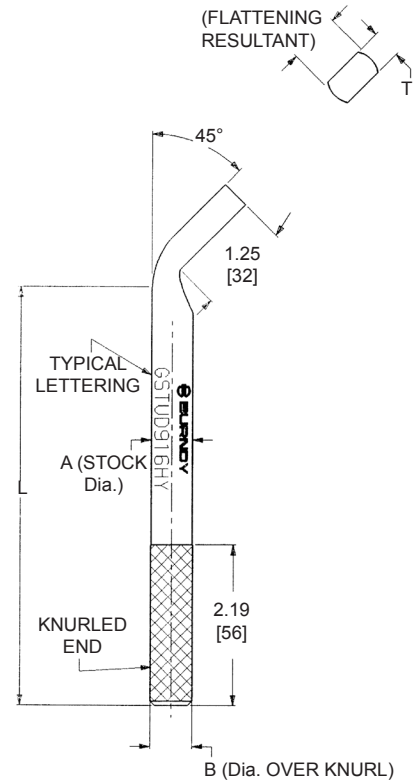
FOR MECHANICAL CONNECTORS

Select the properly sized BURNDY® connector. Clean the conductor, then apply PENETROX™ E oxide inhibiting compound on the contact area for increased effectiveness and service life. Put the connector over the knurled area of the VERSITAIL™ and apply the recommended torque value for correct installation.



Features & Benefits

- The VERSITAIL™ may be welded to steel surfaces quickly and easily with normal construction equipment.
- The VERSITAIL™ eliminates costly disk grinding and the need to expose virgin metal, the welding process burns through the oxidation and “scale” to establish excellent electrical grounding continuity.
- The VERSITAIL™ may be installed by the welder in the field or at the steel fabricator based on customer preference.
- The VERSITAIL™ pure copper coating over low carbon, hot rolled steel is compatible with standard welding processes, no toxic gasses are generated.
- The VERSITAIL™ knurled surface is copper plated and specifically designed to ensure excellent mechanical gripping and electrical integrity for BURNDY® compression and mechanical connectors in all grounding applications.
- The VERSITAIL™ may be installed during adverse weather conditions thus eliminating costly construction delays.
- Low installation cost.
- No drilling
- No cleaning
- No special preparation
- Low Carbon, hot rolled steel



E-29

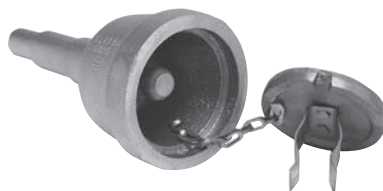
Catalog Number	Nom Rod Size	A	B	L	T	Electrical Equivalent Copper Conductor Size (AWG)*
GSTUD14HY	1/4"	0.25	0.26	4.81	0.19	#6
GSTUD38HY	3/8"	0.38	0.39	5.81	0.25	#3
GSTUD916HY	9/16"	0.56	0.57	5.68	0.38	1/0
GSTUD34HY	3/4"	0.75	0.76	5.81	0.51	4/0

* This is the equivalent rating for continuous service. Large conductors may be connected using both compression and bolted connectors in potential ground fault applications.

TYPES YGT & YTTAG

Static Grounding Receptacle

Type YGT static grounding receptacles are designed for static grounding of equipment. The receptacle is connected to the ground grid with HYGROUND® compression connectors and finished flush with surface to provide a permanent corrosion proof grounding point.



E-30



Type YGT
Static Grounding Receptacle
with Cover

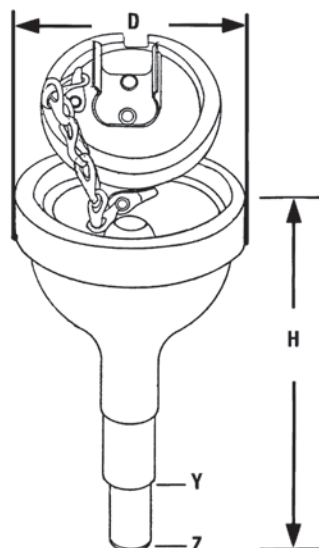


Fig. 1

Type YTTAG Combination
Static Grounding Receptacle
and Aircraft Tie Down Bar

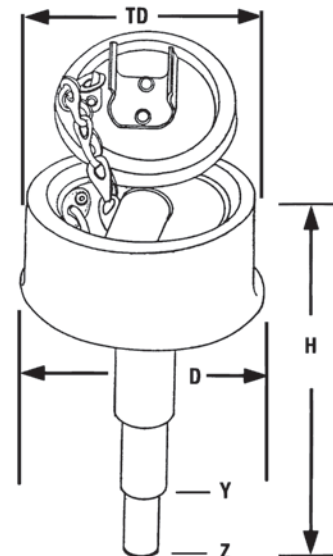


Fig. 2

Catalog Number	Fig. #	HYGROUND® Connector	H	D	Y Dia	Z Dia	TD
YGT275	1	Select suitable YGHR, YGHP or YGLR for 3/4" ground rod and sized to ground conductor.	5.50	2.75	0.75	0.56	-
YTTAG388	2		6.50	4.75	0.75	0.56	4.30

NOTES:

Install YGHR, YGHP or YGLR on Hub Y. Hub Z is inserted into 1/2" rigid conduit. The conduit is driven into the earth to provide support and provide correct level of receptacle prior to cement pour.

TYPE YG-B

Connector for Structural Steel
or Bus Bar

The BURNDY® YG-B series of compression connectors are ideally suited for bus bar, cell tower structures, structural steel, and steel infrastructure such as equipment supports, steel railings and ladders.

These high conductivity copper connectors allow attachment of a ground conductor to structural steel, rail or bus bar, with just one crimp using a BURNDY® 750-style HYPRESS™ head. The exclusive design allows the user to attach tap conductor(s) to 1/8" to 9/16" thick rail, bus bar, or flat steel.

Most connectors are suitable for 1 or 2 conductors for power or grounding and bonding applications. Prefilled with PENETROX™ compound with the addition of a grit material and strip sealed.



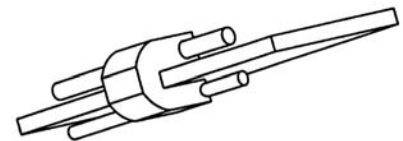
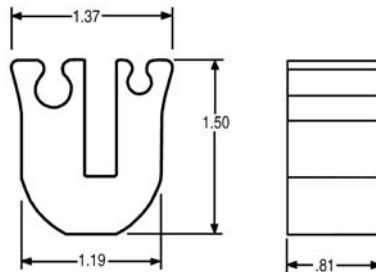
Fig. 1



Fig. 2



Fig. 3



Catalog Number	Figure #	Steel / Bar Thickness	Tap Conductor(s) Accommodated	Tooling	Installation Die	# of Crimps
YG14B2TC2C6C ①	1	1/4"	#2 Sol. and/or Str. Copper #6 Sol. and/or Str. Copper	PAT750, Y750	U1105	1
YG14B2TC2C2C ②	2	1/4"	#2 AWG - #2 AWG Copper	PAT750, Y750	U1105	1
YG14BTC28 ③	3	1/8" - 1/4"	4/0 AWG Str. to 1/0 AWG Str. Copper	PAT750, Y750	U1105	1
YG916BTC26 ④	3	1/2" - 9/16"	1/0 AWG Str. to 2/0 AWG Str. Copper	PAT750K	K1107	1

For Tin Plating add the -TP suffix.

- ① UL Listed, CSA Certified, Rated for Direct Burial; can accept 1 or 2 conductors
- ② U-shaped tap groove can only be used with #2 Solid wire; can accept 1 or 2 conductors; suitable for continuous uncut conductor applications
- ③ cULus listed, Rated for Direct Burial; can accept only 1 conductor
- ④ cULus listed, Rated for Direct Burial; can accept only 1 conductor; PAT750K style tool only may be used for installation

MECHANICAL GROUNDING CONNECTORS

More than 60 years of technological innovation has made BURNDY® mechanical grounding connectors one of the most widely used, highly respected lines in the industry. There is virtually no grounding application problem that this diversified line cannot help solve.

All BURNDY mechanical grounding connectors have been designed for easy installation and for outstanding durability. Only the finest high copper alloys are used in their manufacture, ensuring top performance under the most extreme environmental conditions.

UL467 Listed for direct burial applications in earth or concrete.

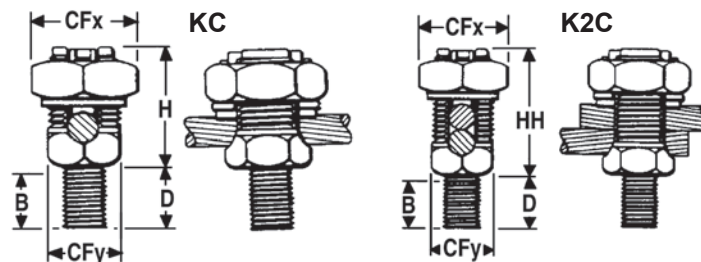
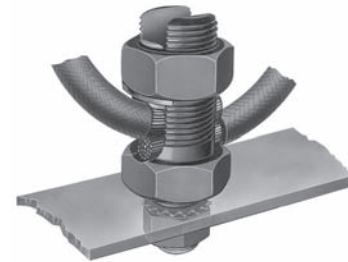
E-32

TYPES KC, K2C

SERVIT POST™

For Copper Cable to Flat

SERVIT POST™ used to ground one or two cables to steel structures, fence posts, transformers. Also used to tap one or two cables from bus bar. One-wrench installation.



TYPE KC One Wire	TYPE K2C One or Two Wires	Stranded	Solid	Stud Diameter	B	CFx	CFy	D	H	HH
KC15	K2C15	12 AWG-9 AWG	12 AWG-8 AWG	1/4-20	3/8	1/2	3/8	1/2	5/8	7/8
KC15B1	K2C15B1	12 AWG-9 AWG	12 AWG-8 AWG	1/4-20	7/8	1/2	3/8	1	5/8	7/8
KC17	K2C17	10 AWG-7 AWG	10 AWG-6 AWG	1/4-20	3/8	5/8	7/16	1/2	7/8	1
KC17B1	K2C17B1	10 AWG-7 AWG	10 AWG-6 AWG	1/4-20	7/8	5/8	7/16	1	7/8	1
KC20	K2C20	10 AWG-5 AWG	10 AWG-4 AWG	5/16-18	13/32	11/16	1/2	5/8	7/8	1-1/8
KC20B1	K2C20B1	10 AWG-5 AWG	10 AWG-4 AWG	5/16-18	27/32	11/16	1/2	1	7/8	1-1/8
KC22	K2C22	10 AWG-3 AWG	10 AWG-2 AWG	3/8-16	15/32	3/4	5/8	5/8	1	1-1/4
KC22B1	K2C22B1	10 AWG-3 AWG	10 AWG-2 AWG	3/8-16	31/32	3/4	5/8	1-1/8	1	1-1/4
KC23	K2C23	8 AWG-2 AWG	10 AWG-1 AWG	3/8-16	15/32	13/16	5/8	5/8	1	1-3/8
KC23B1	K2C23B1	8 AWG-2 AWG	10 AWG-1 AWG	3/8-16	31/32	13/16	5/8	1-1/8	1	1-3/8
KC25	K2C25	2 AWG-1/0 AWG	2 AWG-2/0 AWG	1/2-13	9/16	15/16	3/4	3/4	1-1/8	1-5/8
KC25B1	K2C25B1	2 AWG-1/0 AWG	2 AWG-2/0 AWG	1/2-13	1-1/16	15/16	3/4	1-1/4	1-1/8	1-5/8
KC26	K2C26	2 AWG-2/0 AWG	2 AWG-3/0 AWG	1/2-13	17/32	1	7/8	3/4	1-3/8	1-7/8
KC26B1	K2C26B1	2 AWG-2/0 AWG	2 AWG-3/0 AWG	1/2-13	1-1/16	1	7/8	1-1/4	1-3/8	1-7/8
KC28	K2C28	1 AWG-4/0 AWG	1 AWG-4/0 AWG	5/8-11	3/4	1-1/2	1-3/16	1	1-3/4	2-1/4
KC28B1	K2C28B1	1 AWG-4/0 AWG	1 AWG-4/0 AWG	5/8-11	1-1/4	1-1/2	1-3/16	1-1/2	1-3/4	2-1/4
—	K2C28G3	1 AWG-4/0 AWG	1 AWG-4/0 AWG	1/2-13	1-1/4	1-1/2	1-3/16	1-1/2	1-3/4	2-1/4
KC31	K2C31	1 AWG-350 kcmil	N/A	5/8-11	3/4	1-11/16	1-3/8	1	2-1/4	2-7/8
KC31B1	K2C31B1	1 AWG-350 kcmil	N/A	5/8-11	1-1/4	1-11/16	1-3/8	1-1/2	2-1/4	2-7/8
KC34	K2C34	3/0 AWG-500 kcmil	N/A	3/4-10	1	2	1-5/8	1-1/4	2-3/8	3-1/4
KC34B1	K2C34B1	3/0 AWG-500 kcmil	N/A	3/4-10	1-1/2	2	1-5/8	1-3/4	2-3/8	3-1/4

NOTE:

** Not UL 467 rated

Add *-NSP* suffix to catalog numbers to have connector supplied with split lockwasher and nut.

TYPE SB

HandyBug™ Connector

Tap, Splice or Terminate

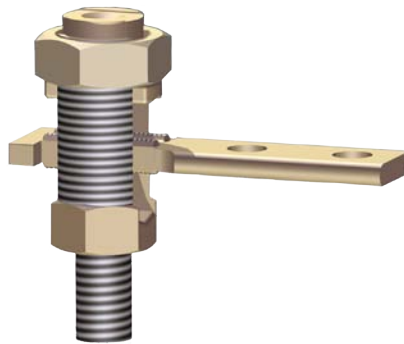
The HandyBug™ connector is an “all-in-one” electrical connector that can be used for dozens of different power or grounding connection applications. This new connector is the “survival tool” of electrical connections and can be used as a splice, tap, terminal, wire to pipe, wire to busbar, and many other options. The HandyBug™ incorporates the features and benefits of dozens of different products. Available in two sizes, these connectors accommodate from #8 AWG Solid to 1/0 AWG Stranded.

Ideal for emergency repairs, maintenance crews and technicians, and an essential part of every electrician’s basic supplies. cULus Listed. Acceptable for direct burial in earth and concrete.



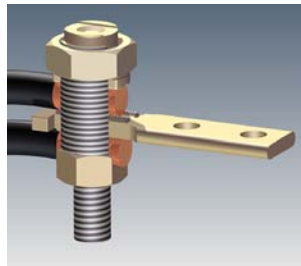
Features & Benefits

- Power or Grounding and Bonding Applications
- Can be used to terminate wires to bus bars or steel
- Can be used for splicing and tap connections
- No special tooling required
- UL Listed for the US and Canadian markets (cULus: UL467 & UL486A/B)
- Rated for Direct Burial
- Tin plated
- Industry standard mounting hole configurations

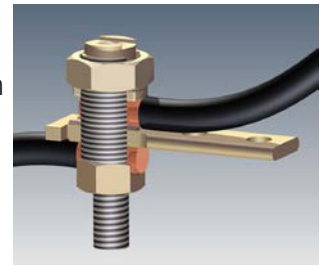


E-33

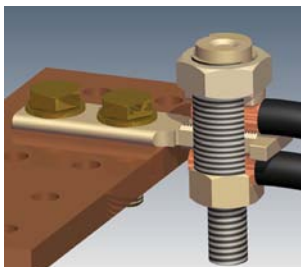
Traditional Split Bolt Option



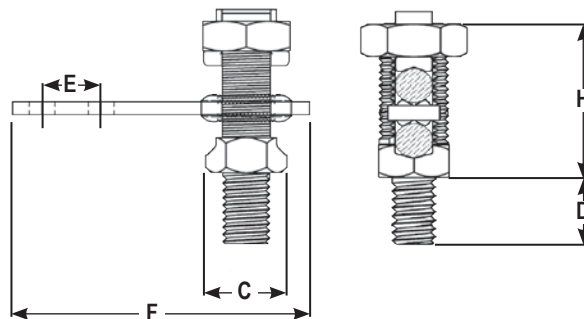
Splice Connection



Terminate 1 or 2 Wires



Wire to Pipe or Steel



Catalog Number	Stranded	Solid	Stud Diameter	C	H	D	E	F
SB232TC14	8 AWG - 2 AWG	8 AWG - 2 AWG	3/8 - 16	0.72 [18]	1.44 [37]	0.63 [16]	0.63	2.84
SB232TC38	8 AWG - 2 AWG	8 AWG - 2 AWG	3/8 - 16	0.72 [18]	1.44 [37]	0.63 [16]	1.00	2.84
SB23U*	8 AWG - 2 AWG	8 AWG - 2 AWG*	3/8 - 16	0.72 [18]	1.44 [37]	0.63 [16]	N/A	2.84
SB252TC14	2 AWG - 1/0 AWG	2 AWG - 1/0 AWG	1/2 - 13	0.87 [22]	1.68 [43]	0.75 [19]	0.63	3.15
SB252TC38	2 AWG - 1/0 AWG	2 AWG - 1/0 AWG	1/2 - 13	0.87 [22]	1.68 [43]	0.75 [19]	1.00	3.15
SB25U*	2 AWG - 1/0 AWG	2 AWG - 1/0 AWG*	1/2 - 13	0.87 [22]	1.68 [43]	0.75 [19]	N/A	3.15

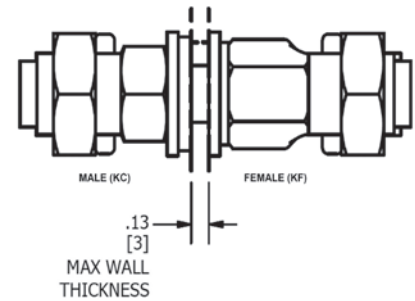
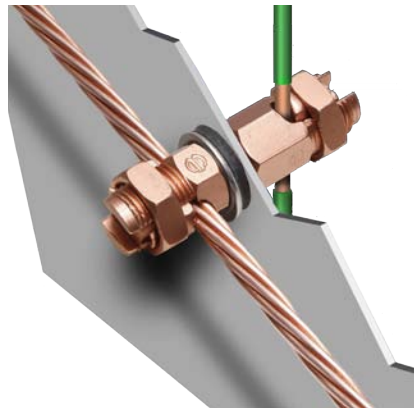
* Suffix U denotes undrilled version, not cULus Listed.

TYPE KCKF

Bulkhead Ground Connector

The "Bulkhead" connector is designed to allow a ground wire to be connected from the inside of a box or enclosure to the outside of a box or enclosure.

This new connector is supplied in kit form with a male SERVIT POST™, female SERVIT®, (2) stainless steel washers, split lock washer and sealing washer.



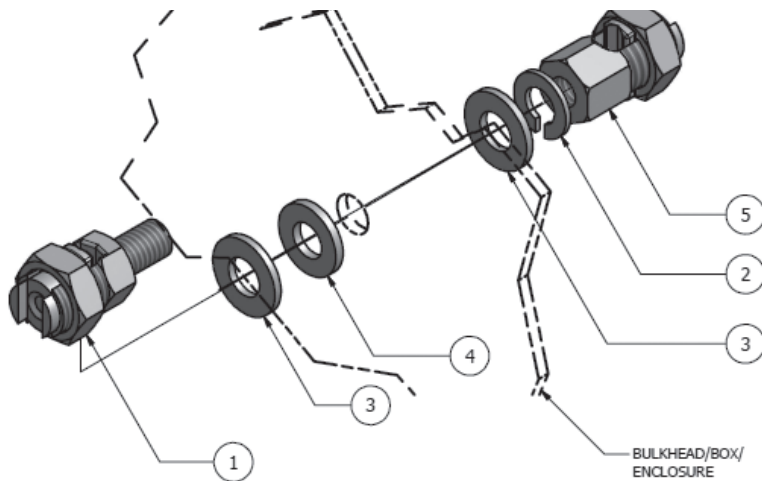
E-34

The available "Application Guideline" document helps describe the application with visuals and installation examples.



Features & Benefits

- Provides an easy way to connect ground wires "through" an enclosure wall
- Includes Male SERVIT POST™, Female SERVIT®, (2) Stainless Steel Washers, Split Lock Washer, Sealing Washer
- Split Lock Washer allows adjustment of conductor orientation
- Made of Silicon Bronze material (connectors) and Stainless Steel Hardware, Sealing Washer
- Meets NEMA 4X requirements when installed correctly
- Application Guideline document available
- Industry proven split bolt/SERVIT POST™ technology



	Qty	Description
	1	Male Servit Post
	1	Stainless Steel Split Lock Washer*
	2	Stainless Steel Flat Washer*
	1	Sealing Washer*
	1	Female SERVIT®

*One flat washer and sealing washer to be installed on outside of box or, where applicable, to side of wall exposed to atmospheric or contaminated conditions. Remaining hardware to be mounted to opposite side of the wall as shown.

Catalog Number	ACCOMMODATES			NUT TORQUE IN-LBS [N-M]	MAX. THRU HOLE
	AWG		METRIC		
	STRANDED	SOLID	STRANDED		
KCKF23	#8 (.146) - #2 (.292)	#10 (.102) - #1 (.289)	10mm ² (4.1) - 35mm ² (6.5)	275 [31.1]	7/16
KCKF25	#2 (.292) - 1/0 (.373)	#2 (.258) - 2/0 (.365)	35mm ² (6.5) - 50mm ² (9.3)	385 [43.5]	9/16
KCKF28	#1 (.332) - 4/0 (.528)	#1 (.289) - 4/0 (.460)	50mm ² (9.3) - 95mm ² (12.8)	500 [56.5]	11/16

Notes:

- Dimensions in () are cable diameters.
- Diameters of AWG wires are in inches.
- Diameters for metric wires are given in mm.

TYPES KC-J12, EQC632C

Transformer Ground Connectors
for Copper

Fits all standard EEL-NEMA distribution transformers as tank grounding terminal.



Type KC22B2

1/2-13
stud size

Catalog Number	Ranges
KC22J12T13	8 Sol. - 2 Sol.
KC26	2 Sol. - 2/0 Str.
KC34J12T13	3/0 - 500 Str.
EQC632C	8 Sol. - 2 Str.

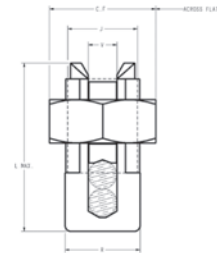
E-35

TYPE KS

SERVIT®

For Copper

UL467 Listed for direct burial applications in earth or concrete. Compact, highstrength, high copper alloy SERVIT® split-bolt has free-running threads and easy to grip wrench flats. Highly resistant to cracking and corrosion.



Catalog Number	Cross Flats	L	W	Copper Conductor Range	Rebar with (1) #8 Sol. Cu	Recommended Tightening Torque (in-lb)
KS15	0.50	0.85	0.38	10 - 8 Str.	14 Str.	80
KS17	0.63	1.14	0.45	8 Str. - 6 Sol.	14 Str.	165
KS20	0.69	1.20	0.51	8 Str. - 4 Sol.	14 Str.	165
KS22	0.75	1.50	0.60	6 Str. - 2 Sol.	14 Str.	275
KS23	0.82	1.54	0.62	6 Str. - 2 Str.	14 Str.	275
KS25	0.94	1.77	0.73	4 Str. - 1/0 Str.	14 Str.	385
KS26	1.05	1.94	0.82	2 Str. - 2/0 Str.	14 Str.	385
KS27	1.36	1.86	1.17	1 Str. - 3/0 Str.	8 Sol.	500
KS29	1.36	2.07	1.17	1 Str. - 250	8 Str.	650
KS31	1.70	2.51	1.41	1/0 Str. - 350	1/0 Str.	650
KS34	1.82	2.79	1.48	2/0 Str. - 500	2/0 Str.	825

TYPE FFG

Fence Fabric Ground Clamps

Fence grounding systems are designed to provide protection against dangerous “touch” potentials. The Fence Fabric Ground Clamp is an integral component of this personnel safety system.

With its unique design the clamp can form a connection at virtually any angle. Specific uses include connection to both fence fabric and barbed wire. The conductor maintains a path to ground while connected to an object that is parallel, perpendicular or any degree in between.

Tin plated copper clamp includes stainless steel hardware and allows for use on most metallic surfaces including galvanized steel. Other sizes available; please contact factory for information.

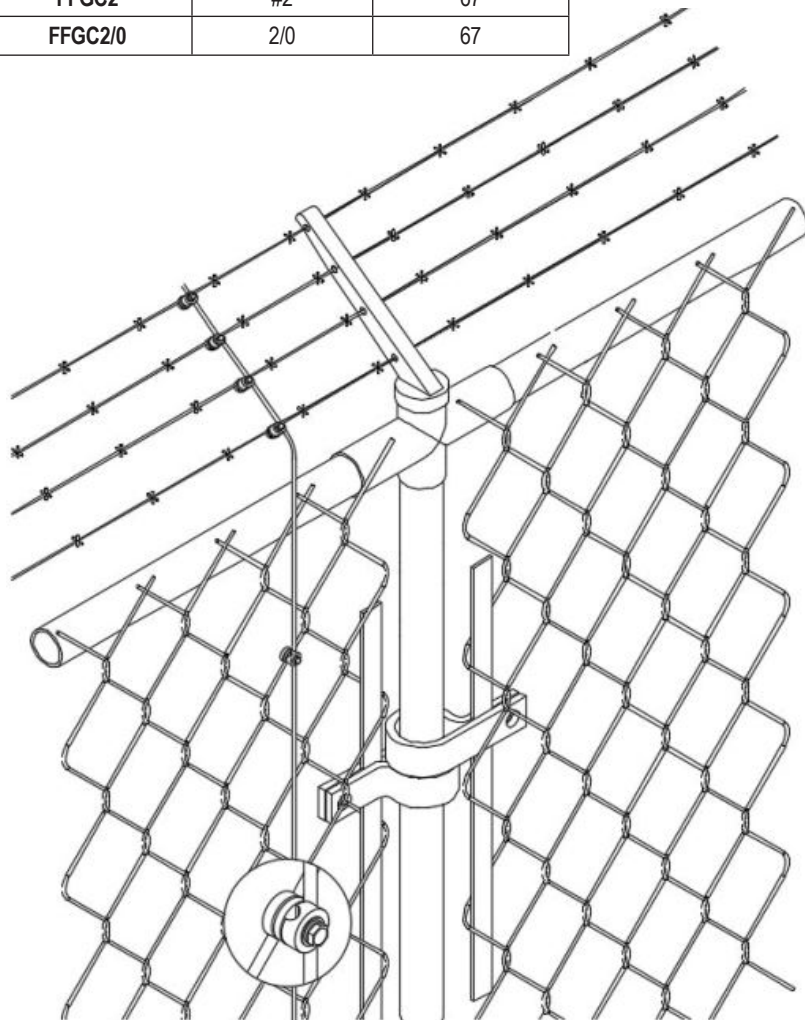
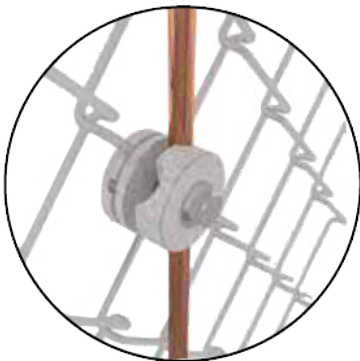
Listed to UL 467



Features & Benefits

- Clamp can form connections at virtually any angle
- Tin plated copper clamp includes stainless steel hardware
- For use with most metallic surfaces including galvanized steel
- Conductor maintains path to ground while connected to object that is parallel, perpendicular or any degree in between

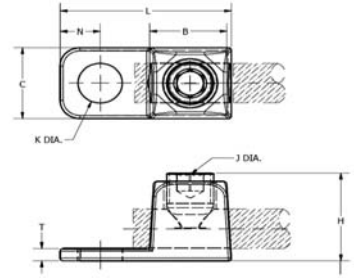
Catalog Number	Conductor Size	Recommended Torque (in-lb)
FFGC8	#8	67
FFGC6	#6	67
FFGC4	#4	67
FFGC2	#2	67
FFGC2/0	2/0	67



TYPE GKA

For Copper

UL467 Listed for direct burial applications in earth or concrete. One-piece body construction insures mechanical integrity in an underground environment. Supplied with stainless steel headless screw, the GKA25SB and GKA28SB have silicon bronze hardware.



E-37

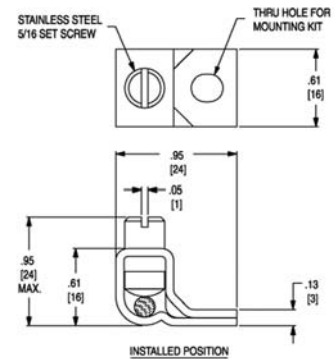
Catalog Number	Cable Range	B	C	H	J Dia.	K	L
GKA8C*	10 AWG-8 AWG	0.31	0.38	0.58	#12-24 (Slot)	0.21	0.81
GKA4C*	14 AWG-4 AWG	0.46	0.54	0.71	5/16-24 (Slot)	0.28	1.13
GKA25	4 AWG-1/0 AWG	0.69	0.75	0.94	1/2-20 (Hex)	0.42	1.69
GKA28	1 AWG-4/0 AWG	0.81	0.94	1.25	5/8-18 (Hex)	0.42	1.94
GKA25SB	4 AWG-1/0 AWG	0.69	0.75	0.94	1/2-20 (Hex)	0.42	1.69
GKA28SB	1 AWG-4/0 AWG	0.81	0.94	1.25	5/8-18 (Hex)	0.42	1.94

* GKA8C, GKA4C are cULus Listed.

TYPE KPB

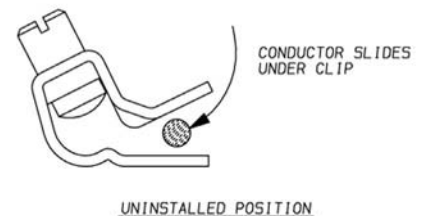
For Copper

UL467 Listed for direct burial in earth or concrete. UL486 listed. This exclusive BURNDY® design accommodates #10 - #4 copper where continuous conductor runs are preferable.



Catalog Number	Copper Cable Range	Stud Hole
KPB4CG1①	10 AWG-4 AWG	#10

①Can be assembled with optional TMH322SS stainless steel hardware kit, ordered separately.

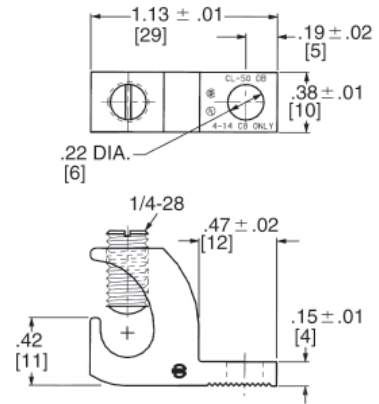
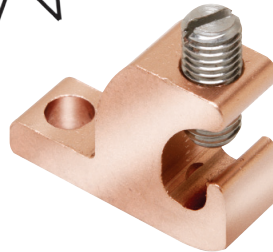


TYPES CL50-1 & CL50-1TN

COPPER LAY-IN QIKLUG™

For Copper

The Lay-In QIKLUG™ is manufactured from high strength pure electrolytic copper to ensure maximum strength and conductivity. UL467 Listed for direct burial in earth or concrete. The open-faced design allows for fast lay-in of the conductor without the need for cutting or breaking. Stainless steel screws used for excellent corrosion resistance.



Catalog Number	Conductor Range	Stud Hole	Recommended Torque by Wire Size	
CL50-1	14 AWG-4 AWG	#10	14-10 AWG	20 in-lb
CL50-1TN*	14 AWG-4 AWG	#10	8 AWG	25 in-lb
CL50-1TN BULK*	14 AWG-4 AWG	#10	6-4 AWG	35 in-lb

* CL501-TN & CL50-1TNBULK Listed to both UL2703 for Solar Applications and UL467 for direct burial.

E-38

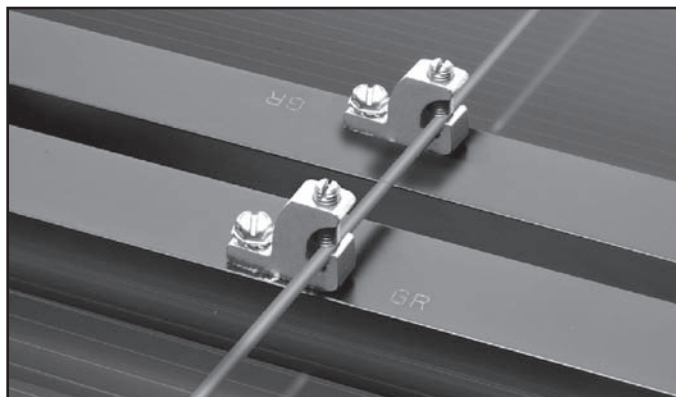


Photo above shows a typical solar panel installation using CL50-1TN connectors.

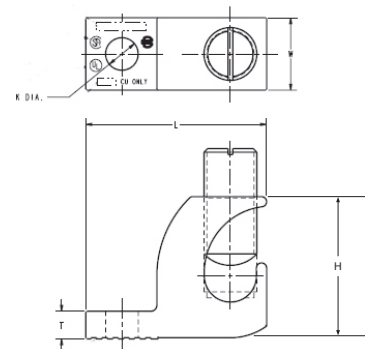
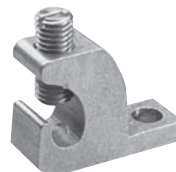


TYPE CL

COPPER LAY-IN QIKLUG™

FOR COPPER

Manufactured for maximum strength and conductivity, these lay-in lugs allow for continuous runs of conductor and are well suited as terminations as well. Tin-plated, set screw style connectors, three sizes cover a range from #14 AWG to 250 kcmil.



CL3/0-516TN and CL250-516TN are UL 486A-B Wire Connectors and CSA Certified. CL1/0-14TN UL Listed for grounding and CSA Certified. 90° C rated. Suitable for copper conductors only.



Catalog Number	Wire Range Copper	H	W	L	T	K Dia.	Hex Size
CL1/0-14TN	#14 - 1/0 AWG	1.17	0.60	1.50	0.22	0.27	7/16-20 (Slotted)
CL3/0-516TN	#6 - 3/0 AWG	1.56	0.80	2.00	0.30	0.33	9/16-18 (0.25 Hex)
CL250-516TN	#6 AWG - 250 kcmil	1.79	0.80	2.20	0.30	0.33	9/16-18 (0.25 Hex)

TYPE BGBS

Aluminum Lay-in lug for solar and other grounding applications

The new aluminum lay-in lugs BGBS series are suitable for solar panel and other grounding applications. The connectors are used with frames or solar panels, with a maximum thickness of 1/4 inch. They are also suitable for cable to bus or cable to steel connections, where the lay-in feature is necessary.

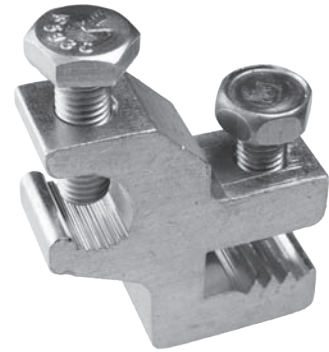
BGBS (BURNDY Grounding and Bonding lugs for Solar and other applications) Lay-in lugs are Listed for grounding and bonding per UL467 and CSA C22.2 No. 41; also for use with Photovoltaic Modules per UL2703 . They can be used with copper and aluminum cables. The connectors are also available in bulk.

Features & Benefits

- Made of high strength aluminum alloy
- Electro-Tin plated
- Stainless Steel hardware
- Lay-in feature
- Conductor size Copper:
 - 14 AWG - 6 AWG STR./SOL.
- Conductor size Aluminum:
 - 12 AWG - 6 AWG STR./SOL.
- Cup point screw that penetrates the anodization on rails
- Serrations in conductor wire way cuts through oxidation
- Suitable for applications up to 1/4 inch thick solar panels
- Listed for Grounding and Bonding per UL467 and CSA C22.2 No. 41
- Listed for use with Photovoltaic Modules & Panels per UL2703



BGBS4



BGBS5

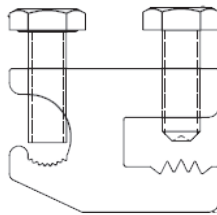


Fig. 1

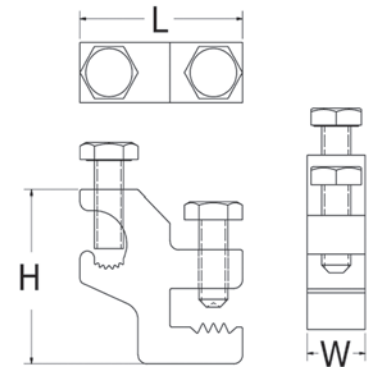


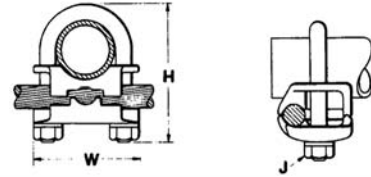
Fig. 2

Catalog Number	Conductor Size - Copper	Conductor Size - Aluminum	Fig.	L	W	H	Bulk Catalog No.	Recommended Torque (in-lbs)
BGBS4	14 - 6 AWG STR./SOL.	12 - 6 AWG STR./SOL.	1	1.38	0.50	0.94	BGBS4BULK	6-14: 35 in-lbs
BGBS5			2	1.40	0.50	1.44	BGBS5BULK	6-12: 50 in-lbs

TYPE GAR

For Parallel or 90° Copper Cable Connection to Rod or Pipe with the Same Connector

High copper alloy ground connector for joining a range of cable, parallel or at right angles to rod or tube. Especially good for fence posts. High copper alloy cast body with DURIMUM™ U-bolts, nuts and lockwashers, permit entire connection to be buried in ground or concrete without danger of corrosion.



E-40

Features & Benefits

- Wire to Rebar
- Fence Post Grounding Connector
- Wire to Pipe
- One-wrench installation
- UL467 Listed
- Acceptable for direct burial



Wire at Right Angle to Pipe



Wire Parallel to Pipe



Catalog Number	Conductor				H	J	W
	Tube I.P.S.*	Rod Size or O.D. Range	Rebar Size	Cable Range			
GAR114C	1/4	1/2	—	8 Sol. - 4 Str.	2-1/2	3/8	1-7/8
GAR1126	1/4	1/2	—	4 Sol. - 2/0 Str.	2-1/2	3/8	1-7/8
GAR1129	1/4	1/2	—	2/0 Sol. - 250	2-1/2	3/8	1-7/8
GAR644C	3/8	5/8 - 3/4	5 - 6	8 Sol. - 4 Str.	2-7/8	3/8	2-1/8
GAR6426	3/8	5/8 - 3/4	5 - 6	4 Sol. - 2/0 Str.	2-7/8	3/8	2-1/8
GAR6429	3/8	5/8 - 3/4	5 - 6	2/0 Sol. - 250	2-7/8	3/8	2-1/8
GAR6434	3/8	5/8 - 3/4	5 - 6	300-500	3-1/2	1/2	2-1/2
GAR144C	1/2-3/4	7/8 - 1	7 - 8	8 Sol. - 4 Str.	2-3/4	3/8	2-3/8
GAR1426	1/2-3/4	7/8 - 1	7 - 8	4 Sol. - 2/0 Str.	3	3/8	2-3/8
GAR1429	1/2-3/4	7/8 - 1	7 - 8	2/0 Sol. - 250	3	3/8	2-3/8
GAR1434	1/2-3/4	7/8 - 1	7 - 8	300-500	3-3/4	1/2	2-3/4
GAR154C	1	1-1/8 - 1-1/4	9 - 10	8 Sol. - 4 Str.	2-7/8	3/8	2-5/8
GAR1526	1	1-1/8 - 1-1/4	9 - 10	4 Sol. - 2/0 Str.	2-7/8	3/8	2-5/8
GAR1529	1	1-1/8 - 1-1/4	8 - 9	2/0 Sol. - 250	3-3/8	3/8	2-5/8
GAR1534	1	1-1/8 - 1-1/4	9 - 10	300-500	4-1/2	1/2	2-5/8
GAR164C	1-1/4	1-3/8 - 1-1/2	11	8 Sol. - 4 Str.	3-1/2	3/8	3
GAR1626	1-1/4	1-3/8 - 1-1/2	11	4 Sol. - 2/0 Str.	3-1/2	3/8	3
GAR1629	1-1/4	1-3/8 - 1-1/2	11	2/0 Sol. - 250	3-1/2	3/8	3
GAR1634	1-1/4	1-3/8 - 1-1/2	11	300-500	4-1/4	1/2	3-3/8

* This is the "Trade" Pipe Size reference.

TYPE GAR
(Continued)



Catalog Number	Conductor			H	J	W	
	Tube I.P.S.*	Rebar Size	Rod Size or O.D. Range				Cable Range
GAR174C	1-1/2	—	1-5/8 - 1-7/8	8 Sol. - 4 Str.	4	3/8	3-1/4
GAR1726	1-1/2	—	1-5/8 - 1-7/8	4 Sol. - 2/0 Str.	4	3/8	3-1/4
GAR1729	1-1/2	—	1-5/8 - 1-7/8	2/0 Sol. - 250	4	3/8	3-1/4
GAR1734	1-1/2	—	1-5/8 - 1-7/8	300 - 500	4-5/8	1/2	2-5/8
GAR184C	2	—	2 - 2-3/8	8 Sol. - 4 Str.	4-1/4	3/8	3-3/4
GAR1826	2	—	2 - 2-3/8	4 Sol. - 2/0 Str.	4-1/4	3/8	3-3/4
GAR1829	2	—	2 - 2-3/8	2/0 Sol. - 250	4-1/2	3/8	3-3/4
GAR1834	2	—	2 - 2-3/8	300 - 500	5-1/4	1/2	4-1/8
GAR194C	2-1/2	—	2-1/2 - 2-7/8	8 Sol. - 4 Str.	5	3/8	4-1/4
GAR1926	2-1/2	—	2-1/2 - 2-7/8	4 Sol. - 2/0 Str.	5	3/8	4-1/4
GAR1929	2-1/2	—	2-1/2 - 2-7/8	2/0 Sol. - 250	5	3/8	4-1/4
GAR1934	2-1/2	—	2-1/2 - 2-7/8	300 - 500	5-5/8	1/2	4-5/8
GAR204C	3	—	3 - 3-1/2	8 Sol. - 4 Str.	5-5/8	3/8	4-3/4
GAR2026	3	—	3 - 3-1/2	4 Sol. - 2/0 Str.	5-5/8	3/8	4-3/4
GAR2029	3	—	3 - 3-1/2	2/0 Sol. - 250	5-5/8	3/8	4-3/4
GAR2034	3	—	3 - 3-1/2	300 - 500	6-3/8	1/2	5-1/4
GAR214C	3-1/2	—	3-1/2 - 4	8 Sol. - 4 Str.	6-1/4	3/8	5-3/8
GAR2126	3-1/2	—	3-1/2 - 4	4 Sol. - 2/0 Str.	6-1/4	3/8	5-3/8
GAR2129	3-1/2	—	3-1/2 - 4	2/0 Sol. - 250	6-1/4	3/8	5-3/8
GAR2134	3-1/2	—	3-1/2 - 4	300 - 500	6-3/4	1/2	5-3/4
GAR224C	4	—	4 - 4-1/2	8 Sol. - 4 Str.	6-3/8	3/8	5-7/8
GAR2226	4	—	4 - 4-1/2	4 Sol. - 2/0 Str.	6-3/8	3/8	5-7/8
GAR2229	4	—	4 - 4-1/2	2/0 Sol. - 250	6-3/8	3/8	5-7/8
GAR2234	4	—	4 - 4-1/2	300 - 500	6-7/8	1/2	6-1/4
GAR244C	5	—	—	8 Sol. - 4 Str.	7-3/4	3/8	6-7/8
GAR2426	5	—	—	4 Sol. - 2/0 Str.	7-3/4	3/8	6-7/8
GAR2429	5	—	—	2/0 Sol. - 250	7-3/4	3/8	7-1/4
GAR2434	5	—	—	300 - 500	8-5/8	1/2	7-1/4
GAR8629	6	—	—	2/0 Sol. - 250	8-13/16	1/2	8-3/8
GAR8634	6	—	—	300 - 500	8-13/16	1/2	8-3/8

* This is the "Trade" Pipe Size reference.

NOTE:

Contact BURNDY® for additional pipe and wire size combinations not shown.

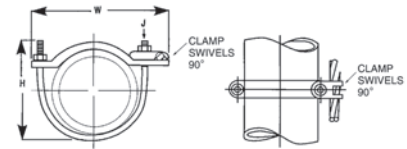
E-41

TYPES GAR-BU AND GAR3902 SERIES

Ground Connectors

Type GAR-BU is a high-conductivity copper ground connector for connecting a small to medium range copper ground conductor to water pipe as well as structural and reinforcing rod shapes. Universal acceptance of several sizes of cylindrical shapes makes this suitable for industrial construction and maintenance work as well as cathodic protection. Cable clamp swivels to permit parallel grounding of one pipe or 90° degree cable run for grounding several parallel pipes. Single wrench installation. UL467 Listed and CSA Certified.

E-42



Features & Benefits

- Cable clamp swivels at 90°
 - ◊ Permits parallel grounding of one pipe or a 90° cable run for grounding several parallel pipes.
- One-wrench installation
 - ◊ Simplified installation.
- DURIMUM™ silicon bronze hardware (-BU Series)*
 - ◊ Long lasting corrosion resistance and acceptable for direct burial in earth or concrete.
- UL467 Listed
 - ◊ Provides quality assurance to recognized industry NEC standards from an independent party.



Catalog Number	Cable Range	IPS Size **	O.D. Range	H	J	W	Recommended Tightening Torque
GAR3902-BU ①	#4- 4/0 AWG	1/2-1	0.84 - 1.32	3.50	3/8" - 16	3.25	240 in. - lbs.
GAR3903-BU ①	#4- 4/0 AWG	1 1/4-2	1.66 - 2.38	4.00	3/8" - 16	4.25	240 in. - lbs.
GAR3904-BU ①	#4- 4/0 AWG	2 1/2-3 1/2	2.88 - 4.00	6.50	3/8" - 16	6.00	240 in. - lbs.
GAR3905-BU ①	#4- 4/0 AWG	4-5	4.50 - 5.56	7.50	3/8" - 16	7.50	240 in. - lbs.
GAR3906-BU ①	#4- 4/0 AWG	6	6.62	8.50	3/8" - 16	8.62	240 in. - lbs.
GAR3907-BU ①	#4- 4/0 AWG	8	8.62	10.00	3/8" - 16	10.62	240 in. - lbs.
GAR3908-BU ①	#4- 4/0 AWG	10	10.75	12.00	3/8" - 16	12.75	240 in. - lbs.
GAR3909-BU ①	#4- 4/0 AWG	12	12.75	14.00	3/8" - 16	14.75	240 in. - lbs.
GAR3902	#4- 4/0 AWG	1/2-1	0.84 - 1.32	3.50	3/8" - 16	3.25	240 in. - lbs.
GAR3903	#4- 4/0 AWG	1 1/4-2	1.66 - 2.38	4.00	3/8" - 16	4.25	240 in. - lbs.
GAR3904	#4- 4/0 AWG	2 1/2-3 1/2	2.88 - 4.00	6.50	3/8" - 16	6.00	240 in. - lbs.
GAR3905	#4- 4/0 AWG	4-5	4.50 - 5.56	7.50	3/8" - 16	7.50	240 in. - lbs.
GAR3906	#4- 4/0 AWG	6	6.62	8.50	3/8" - 16	8.62	240 in. - lbs.
GAR3907	#4- 4/0 AWG	8	8.62	10.00	3/8" - 16	10.62	240 in. - lbs.
GAR3908	#4- 4/0 AWG	10	10.75	12.00	3/8" - 16	12.75	240 in. - lbs.
GAR3909	#4- 4/0 AWG	12	12.75	14.00	3/8" - 16	14.75	240 in. - lbs.

NOTE:

① Type GAR-BU is supplied with DURIMUM™ silicon bronze hardware and is Listed for direct burial.

** Refer to Section O for tube dimensions.

TYPE GAR-RB

For Reinforcement Bar

NOTE:

UL 467 Listed for direct burial in earth or concrete.

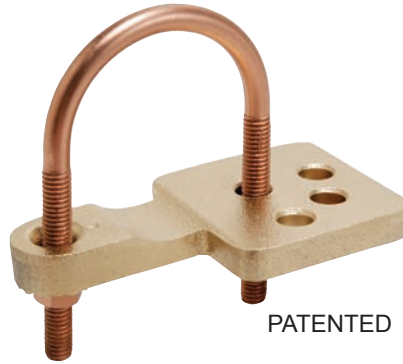


Catalog Number	Rebar	I.P.S.	O.D. Range	Rod Size	Copper Conductor	
					Min.	Max.
GAR644C-RB	#3 - 6 (0.38 - 0.75)	3/8	0.63 - 0.75	5/8-3/4	8 Sol.	4 Str.

TYPE GAR-TC

Water Pipe
Ground Connector

Type GAR-TC is a high-conductivity copper ground connector that features a pre-drilled pad, allowing a 2-hole compression terminal to be directly connected to water pipe as well as structural and reinforcing rod shapes. Universal acceptance of several sizes of cylindrical shapes makes this suitable for industrial construction and maintenance work as well as telecommunications grounding. Terminal may be mounted parallel, 45° or 90° degrees to the pipe. Acceptable for direct burial.



Features & Benefits

- Large, smooth connector contact area between pipe and ground clamp
 - ◇ Provides large surface contact area to maximize contact area between connector and pipe.
- The GAR-TC mounting pad permits parallel, 45° or 90° angle connections to the pipe
 - ◇ Provides maximum flexibility for field installation.
- Pre-drilled pad for (2) 3/8" bolts on 1" centers

- ◇ Allows direct mounting of (2) hole compression terminals up to 750 kcmil to pipe.
- DURUM™ silicon bronze hardware
 - ◇ Provide long lasting corrosion resistance acceptable for direct burial in earth or concrete.
- One-wrench installation
 - ◇ Simplified installation.
- UL467 Listed
 - ◇ Provides quality assurance to recognized industry NEC standards from an independent party. Type GAR-TC is acceptable for direct burial.

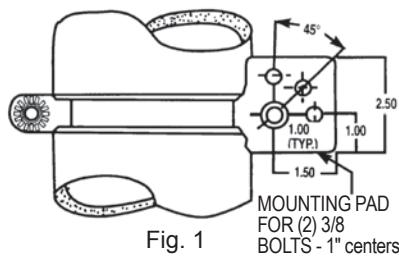


Fig. 1 MOUNTING PAD FOR (2) 3/8 BOLTS - 1" centers

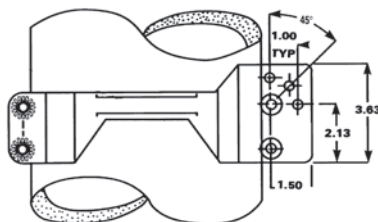
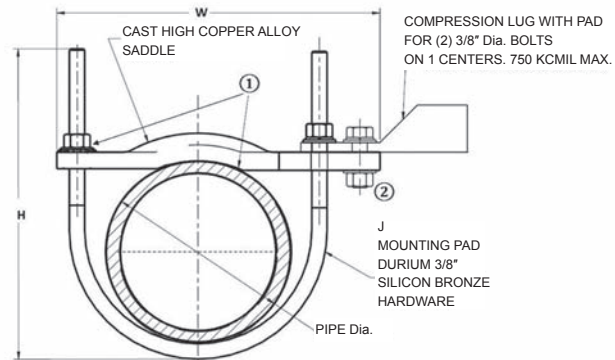


Fig. 2



Catalog Number	Figure #	Accommodates		H	J	W	Recommended Torque
		I.P.S. **	O.D. Size				
GAR3902TC	1	1/2-1	0.84 - 1.32	3.50	3/8	3.75	240
GAR3903TC	1	1 1/4-2	1.66 - 2.38	4.00	3/8	4.75	240
GAR3904TC	1	2 1/2-3 1/2	2.88 - 4.00	6.50	3/8	6.50	240
GAR3905TC	1	4-5	4.50 - 5.56	7.50	3/8	8.00	240
GAR3906TC	1	6	6.62	8.50	3/8	9.12	240
GAR3907TC	2	8	8.62	10.00	3/8	11.25	240
GAR3908TC	2	10	10.75	12.00	3/8	13.25	240
GAR3909TC	2	12	12.75	14.00	3/8	15.25	240

NOTES:

** Refer to Section O for tube dimensions.

① Add suffix "-TNET" for electro-tin plated connector and electro-tin plated

DURUM™ silicon bronze hardware. Tin plated catalog number includes mounting hardware for second bolt hole.

② OPTIONAL MOUNTING HARDWARE

TMH-289 includes (1) 38X125HEB bolt, (1) 38CHEN nut, (1) 38SW split washer and (2) 38FW flat washers, ordered separately.

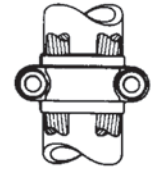
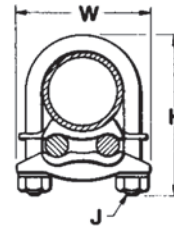
Clean pipe surface beneath saddle until virgin metal is exposed, install GAR-TC ground connector and for maximum conductivity, apply PENETROX™ E oxide inhibiting compound around perimeter of saddle.

E-43

TYPE GD

Cable to Rod/Tube Ground Connector
For Two Copper Cables to Rod or
Tube

High copper alloy ground connector for joining a range of two parallel cables to rod or pipe. Especially good for grounding fence posts. High copper alloy cast body with DURIMUM™ U-bolts, nuts, and lockwashers make the GD suitable for burial in ground or concrete. One-wrench installation. UL467 Listed.



Acceptable for direct burial in earth or concrete.

E-44

Catalog Number	Conductor			H	J	W
	Tube I.P.S. **	Rod Size or O.D. Range	Cable			
GD1526	1	1-1/8 - 1-1/4	4 Sol. - 2/0 Str.	3-3/8	3/8	2-5/8
GD1529	1	1-1/8 - 1-1/4	2/0 Sol. - 250	3-3/8	3/8	2-5/8
GD1626	1-1/4	1-3/8 - 1-1/2	4 Sol. - 2/0 Str.	3-1/2	3/8	3
GD1629	1-1/4	1-3/8 - 1-1/2	2/0 Sol. - 250	3-1/2	3/8	3-1/4
GD174C	1-1/2	1-5/8 - 1-7/8	8 Sol. - 4 Str.	4	3/8	3-1/4
GD1726	1-1/2	1-5/8 - 1-7/8	4 Sol. - 2/0 Str.	4	3/8	3-1/4
GD1729	1-1/2	1-5/8 - 1-7/8	2/0 Sol. - 250	4	3/8	3-1/4
GD1734	1-1/2	1-5/8 - 1-7/8	300 - 500	4-5/8	1/2	3-5/8
GD184C	2	2 - 2-3/8	8 Sol. - 4 Str.	4-3/8	3/8	3-3/4
GD1826	2	2 - 2-3/8	4 Sol. - 2/0 Str.	4-3/8	3/8	3-3/4
GD1829	2	2 - 2-3/8	2/0 Sol. - 250	4-3/8	3/8	3-3/4
GD1834	2	2 - 2-3/8	300 - 500	5-3/8	1/2	4-1/8
GD194C	2-1/2	2-1/2 - 2-7/8	8 Sol. - 4 Str.	5	3/8	4-1/4
GD1926	2-1/2	2-1/2 - 2-7/8	4 Sol. - 2/0 Str.	5	3/8	4-1/4
GD1929	2-1/2	2-1/2 - 2-7/8	2/0 Sol. - 250	5	3/8	4-1/4
GD1934	2-1/2	2-1/2 - 2-7/8	300 - 500	5	1/2	4-5/8
GD204C	3	3 - 3-1/2	8 Sol. - 4 Str.	5-5/8	3/8	4-7/8
GD2026	3	3 - 3-1/2	4 Sol. - 2/0 Str.	5-5/8	3/8	4-7/8
GD2029	3	3 - 3-1/2	2/0 Sol. - 250	5-5/8	3/8	4-7/8
GD2034	3	3 - 3-1/2	300 - 500	6-3/8	1/2	5-1/4
GD214C	3-1/2	3-1/2 - 4	8 Sol. - 4 Str.	6-1/4	3/8	5-3/8
GD2126	3-1/2	3-1/2 - 4	4 Sol. - 2/0 Str.	6-1/4	3/8	5-3/8
GD2129	3-1/2	3-1/2 - 4	2/0 Sol. - 250	6-1/4	3/8	5-3/8
GD2134	3-1/2	3-1/2 - 4	300 - 500	6-7/8	1/2	5-3/4
GD224C	4	4 - 4-1/2	8 Sol. - 4 Str.	6-3/8	3/8	5-7/8
GD2226	4	4 - 4-1/2	4 Sol. - 2/0 Str.	6-3/8	3/8	5-7/8
GD2229	4	4 - 4-1/2	2/0 Sol. - 250	6-3/8	3/8	5-7/8
GD2234	4	4 - 4-1/2	300 - 500	6-7/8	1/2	6-1/4

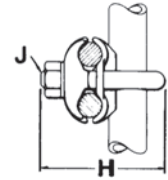
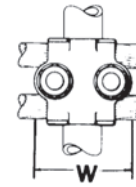
NOTE:

** Refer to Section O for tube dimensions.
Complies with NFPA 78-86 HEAVY DUTY stacks; use suffix "-LD"
for lead plating for HEAVY DUTY stack applications

TYPE GP

Ground Connector
For Two Copper Cables to Rod or
Pipe

High copper alloy ground connector for joining a range of parallel cables perpendicular to rod, pipe or column. Also used with one groove for run, the other for tap to equipment. High copper alloy cast body and DURIUM™ U-bolts, nuts, and lockwashers make the GP suitable for direct burial in the ground or concrete. One-wrench installation. UL467 Listed. Acceptable for direct burial in earth or concrete.



E-45

Catalog Number	Conductor			H	J	W
	Tube I.P.S. **	O.D. Size	Cable			
GP114C	1/4	1/2	8 Sol. - 4 Str.	2-1/2	3/8	1-7/8
GP1126	1/4	1/2	4 Sol. - 2/0 Str.	2-1/2	3/8	1-7/8
GP1129	1/4	1/2	2/0 Sol. - 250	2-1/2	3/8	1-7/8
GP644C	3/8	5/8 - 3/4	8 Sol. - 4 Str.	2-1/2	3/8	2-1/8
GP6426	3/8	5/8 - 3/4	4 Sol. - 2/0 Str.	2-1/2	3/8	2-1/8
GP6429	3/8	5/8 - 3/4	2/0 Sol. - 250	2-7/8	3/8	2-1/8
GP6434	3/8	5/8 - 3/4	300 - 500	3-1/2	1/2	2-5/9
GP144C	1/2-3/4	7/8 - 1	8 Sol. - 4 Str.	2-3/4	3/8	2-3/8
GP1426	1/2-3/4	7/8 - 1	4 Sol. - 2/0 Str.	3	3/8	2-3/8
GP1429	1/2-3/4	7/8 - 1	3/0 Sol. - 250	3	3/8	2-3/8
GP1434	1/2-3/4	7/8 - 1	300 - 500	3-3/4	1/2	2-5/9
GP164C	1-1/4	1-5/8	8 Sol. - 4 Str.	3-1/2	3/8	3
GP1629	1-1/4	1-5/8	2/0 Sol. - 250	3-1/2	3/8	3
GP1726	1-1/2	1-7/8	4 Sol. - 2/0 Str.	4	3/8	3-1/4
GP184C	2	2-3/8	8 Sol. - 4 Str.	4-1/8	3/8	3-11/16
GP1826	2	2-3/8	4 Sol. - 2/0 Str.	4-3/8	3/8	3-11/16
GP2026	3	3-1/2	4 Sol. - 2/0 Str.	5-1/2	3/8	4-13/16
GP2226	4	4-1/2	4 Sol. - 2/0 Str.	6-3/8	3/8	5-13/16

NOTE:

** Refer to Section O for tube dimensions.

TYPE GA-H

Ground Connector
For Copper Cable to "H" Beam or
Square Fence Post

High copper alloy ground connector for joining a wide range of cable parallel to "H" beams or square tube. Hardware is made from DURIMUM™ for superior corrosion protection.

E-46

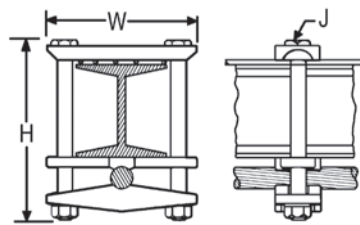


Figure 1

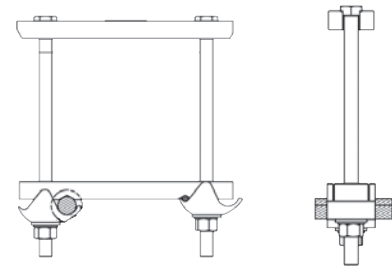


Figure 2

Catalog Number	Figure	Accommodates		H	J	W
		"H" Beam	Copper Conductor			
GA25H26	1	1-7/8" - 2-1/2" X 2-1/2"	4 Sol. - 2/0 Str.	4-3/4	3/8	4

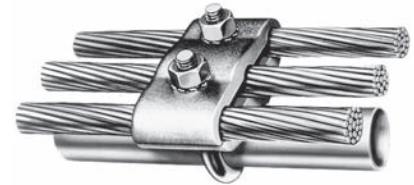
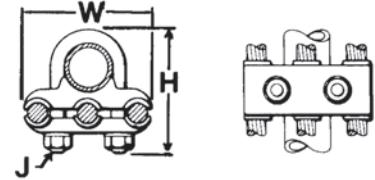
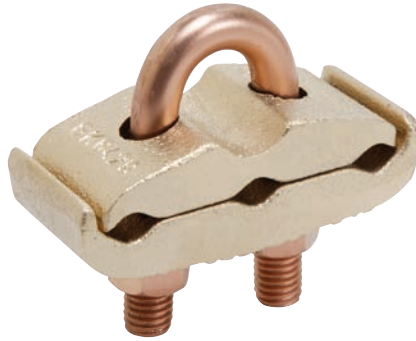
Catalog Number	Figure	Accommodates			H	J	W	Recommended Torque in-lb
		Square Fence Post	Copper Conductor					
			Small Clamp	Large Clamp				
GA400H294CTN	2	4"	6 Sol. (.162) - 4 Str. (.232)	1/0 Sol (.324) - 4/0 Str. (.528)	6.75 (171)	3/8	6.06 (154)	150



TYPE GK

Ground Connector
For Three Copper Cables
to Rod or Pipe

High copper alloy ground connector for joining three equal cables to rod or tube. Cable grooves take a wide range of cable. High copper alloy cast body and DURIMUM™ U-bolts, nuts, and lockwashers make the GK suitable for direct burial in soil or concrete. One-wrench installation. UL467 Listed. Acceptable for direct burial in earth or concrete.



E-47

Catalog Number	Conductor			H	J	W
	Tube I.P.S. **	O.D. Size	Cable			
GK114C	1/4	1/2	8 Sol. - 4 Str.	2-1/2	3/8	2-1/2
GK1126	1/4	1/2	4 Sol. - 2/0 Str.	2-1/2	3/8	2-3/4
GK1129	1/4	1/2	2/0 Sol. - 250	2-1/2	1/2	3-3/8
GK644C	3/8	5/8 - 3/4	8 Sol. - 4 Str.	2-7/8	3/8	2-5/8
GK6426	3/8	5/8 - 3/4	4 Sol. - 2/0 Str.	2-7/8	3/8	3
GK6429	3/8	5/8 - 3/4	2/0 Sol. - 250	2-7/8	1/2	3-1/2
GK6434	3/8	5/8 - 3/4	300 - 500	3-1/2	1/2	4
GK1426	1/2 - 3/4	7/8 - 1	4 Sol. - 2/0 Str.	2-3/4	3/8	3-1/4
GK1429	1/2 - 3/4	7/8 - 1	2/0 Sol. - 250	3-3/4	1/2	3-7/8
GK1434	1/2 - 3/4	7/8 - 1	300 - 500	3-3/4	1/2	4-3/8
GK1526	1	1-1/8 - 1-1/4	4 Sol. - 2/0 Str.	3-3/8	3/8	3-1/2
GK1529	1	1-1/8 - 1-1/4	2/0 Sol. - 250	3-3/4	1/2	4-1/8
GK1626	1-1/4	1-3/8 - 1-1/2	4 Sol. - 2/0 Str.	3-1/2	3/8	3-7/8
GK1629	1-1/4	1-3/8 - 1-1/2	2/0 Sol. - 250	4-1/4	1/2	4-1/2
GK1726	1-1/2	1-5/8 - 1-7/8	4 Sol. - 2/0 Str.	4	3/8	4-1/8
GK1729	1-1/2	1-5/8 - 1-7/8	2/0 Sol. - 250	4-5/8	1/2	4-3/4
GK1826	2	2 - 2-3/8	4 Sol. - 2/0 Str.	4-1/4	3/8	4-5/8
GK1829	2	2 - 2-3/8	2/0 Sol. - 250	4-3/8	1/2	5-1/8
GK1926	2-1/2	2-1/2 - 2-7/8	4 Sol. - 2/0 Str.	5	3/8	5-1/8
GK1929	2-1/2	2-1/2 - 2-7/8	2/0 Sol. - 250	5	1/2	5-5/8

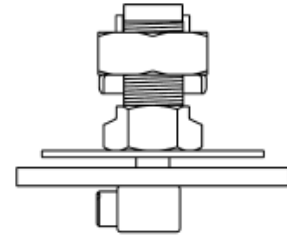
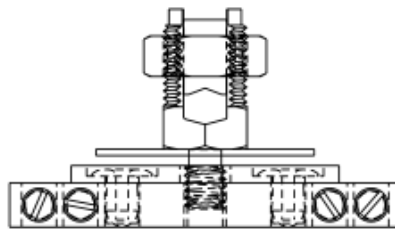
NOTE:

** Refer pages to Section-O for tube dimensions.

TYPE BDT

BONDIT® INTERSYSTEM BONDING CONNECTOR

House Mounted or
Meter Socket Mounted



Features & Benefits

- Made in the USA!
- Meets Intersystem Bonding Requirements; NEC 250.94
- One connector does it all
- House mount or meter socket mount
- Incorporates proven BURNDY® SERVIT POST™ design
- Stainless steel set screws
- Accepts main ground wire (#2-#8), up to 4 intersystem wires (#6-#14)

- Easily mounts to meter box during new installation or can be wall mounted
- Easy to follow instructions included
- Does not damage meter socket; no worries about damaging the paint or voiding warranties
- Easily installed with a wrench and screwdriver
- Open design prevents buildup of hornets, bees, spiders

Designed to meet the requirements of NEC Article 250.94 "Bonding for Other Systems". Corrosion-resistant stainless steel set screws. Accepts main ground wire (#2-#8) and up to 4 intersystem wires (#6-#14). Same design can be mounted directly to the meter socket or mounted to the house. Innovative design does not damage meter socket and will not void warranty.

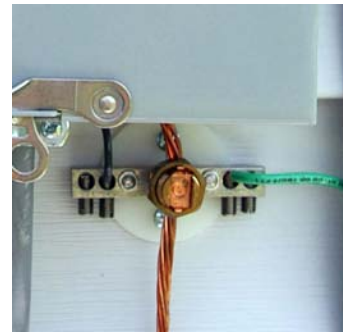
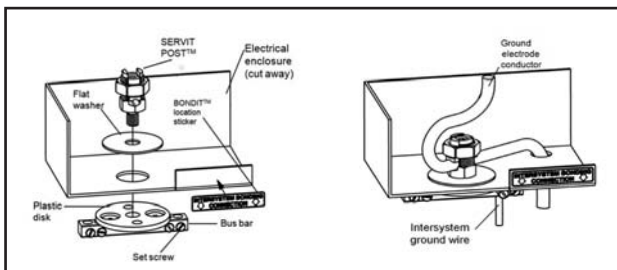
Catalog Number: **BDT1**

E-48



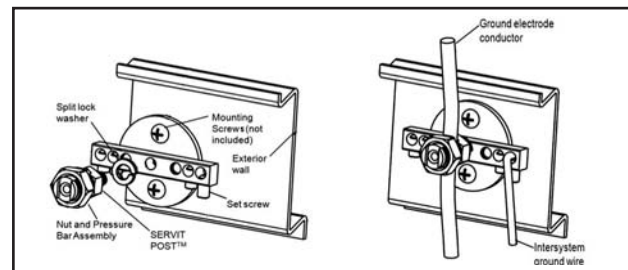
CONFIGURATION 1 - MOUNTED TO ENCLOSURE

1. Punch out a 1/2" or 3/4" knock out on the electrical enclosure.
2. Begin assembly by installing the ground electrode conductor in the SERVIT POST™ inside the electrical enclosure. Torque on SERVIT® NUT: 275 in-lb max.
3. Install the rest of the connector shown below, it is not necessary for the bus bar to be aligned parallel with the enclosure. (Note: the split washer is not used in this configuration.)
4. Tighten the intersystem ground wires with set screws in the bus bar to a maximum torque of 35 in-lb.
5. Adhere the BONDIT® location sticker to the front of the electrical enclosure.



CONFIGURATION 2 - MOUNTED TO EXTERIOR WALL

1. Begin by assembling the connector as shown in figure below. Be sure SERVIT POST™ is as tight as it can be while its groove is aligned with the ground electrode conductor. (Note: the flat washer is not used in this configuration.)
2. Use two mounting screws (not included) to secure the connector to the exterior wall so that the set screws in the bus bar face downward.
3. Install the ground electrode conductor into the SERVIT POST™ while turning the nut/pressure bar assembly to a maximum torque of 275 in-lb (use 2 wrenches if necessary).
4. Tighten the intersystem ground wires with the set screws in the bus bar to a maximum torque of 35 in-lb.
5. If hidden from view, use the BONDIT® location sticker to indicate the location.



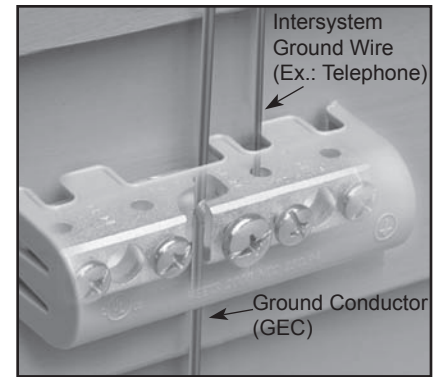
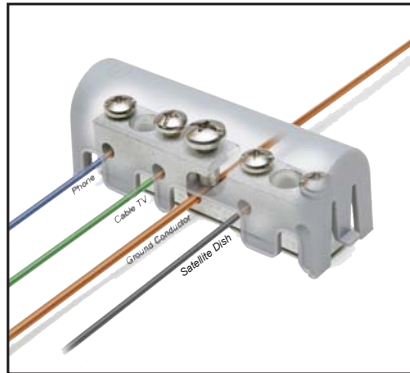
BONDIT® - Wall Mounted

Intersystem Bonding Connector

NEC 250.94 refers to a requirement in the 2008 National Electrical Code. In the past, ground wires from telephone systems or cable systems were allowed to be grounded separately from the GEC (Ground Electrode Conductor from the main electrical service). With the new code, all ground wires from separate systems such as telephone systems, CATV and radio systems must be tied together at one location to the GEC. Hence, the term intersystem refers to tying all of the "system" grounds together in one location. The BONDIT®-Wall Mount is a great solution when the GEC is exposed (not in conduit).

With the new BONDIT® - Wall Mount connector BURNDY provides an economical solution that meets the needs of NEC 250.94.

Catalog Number: **BDTIBB**



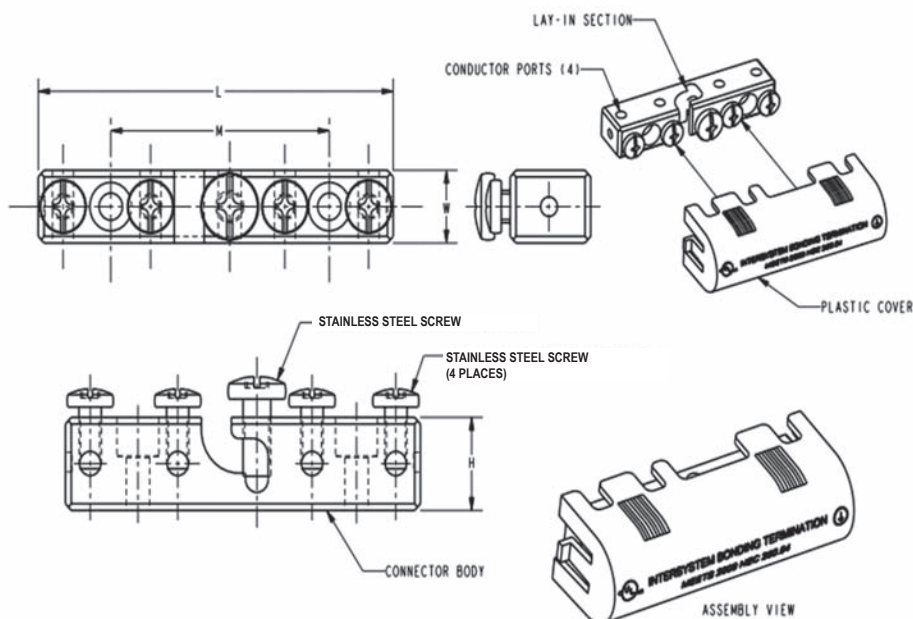
Features & Benefits

- Meets the Intersystem Bonding requirements of NEC2008 250.94
- Provides an easy to access grounding point for utilities such as telecom and cable
- Easy to install
- UL Listed and CSA Certified
- Tin-plated connector body provides long-lasting corrosion resistance
- Stainless steel set screws
- Accepts main ground wire (#2 to #6), up to (4) intersystem wires (#4 to #14)



- Supplied with durable cover, easily secured over connector body
- Approved for use with solid or stranded conductors

Catalog Number	Conductor Range		Reference Dimensions			
	Lay-In Section	Conductor Ports	L	W	H	M
BDTIBB	#6 - #2 AWG	#14 - #4 AWG	3.99 [101]	0.71 [18]	0.91 [23]	2.46 [62]



CAST BRONZE CLAMPS FOR CONDUIT

Pressure bar type conduit hub adjusts for 1/2", 3/4" EMT or 1/2" rigid conduit. Hub swings 360° for easy alignment. Zinc plated hardware.



E-50

Catalog Number	Accommodates Conductor Range			Reference Dimensions			Recommended Screw Torque (Inch Pounds)	
	Water Pipe	Ground	Hub Size	H	L	W	Pipe Clamp	Wire Clamp
C-11JPT	1/2 - 1 [13 - 25]	10 - 6 Sol.	1/2 [13]	2.07 in [53]	3.19 [81]	2.70 in [69]	50 in.-lb.	50 in.-lb.
C-22JPT	1-1/4 - 2 [32 - 51]	10 - 6 Sol.	1/2 [13]	2.70 in [69]	3.83 [97]	2.70 in [69]	50 in.-lb.	50 in.-lb.
C-4JPT	2-1/2 - 4 [64 - 102]	10 - 6 Sol.	1/2 [13]	4.39 in [112]	5.15 [131]	2.70 in [69]	50 in.-lb.	50 in.-lb.

CAST BRONZE GROUND CLAMPS

For connecting grounding conductor to water pipe or copper tube. "D" indicates UL467 Listed for direct burial in earth and concrete and are supplied with silicon bronze hardware. "B" indicates brass hardware.



Catalog Number	Accommodates Conductor Range			Reference Dimensions				Recommended Screw Torque (Inch Pounds)	
	Water Pipe	Rebar	Ground	H	L	W	C	Pipe Clamp	Wire Clamp
C-11N	1/2 - 1 [13 - 25]	—	10 - 2 Str.	1.81 in [46]	2.25 [56]	0.63 in [16]	0.63 in [16]	50 in.-lb.	50 in.-lb.
C-11D	1/2 - 1 [13 - 25]	#4 - #8	10 - 2 Str.	1.81 in [46]	2.25 [56]	0.63 in [16]	0.63 in [16]	50 in.-lb.	50 in.-lb.
C-11B	1/2 - 1 [13 - 25]	—	10 - 2 Str.	1.81 in [46]	2.25 [56]	0.63 in [16]	0.63 in [16]	50 in.-lb.	50 in.-lb.
C-22*	1-1/4 - 2 [32 - 51]	—	10 - 2 Str.	2.38 in [60]	3.63 [92]	0.75 in [0.19]	1.00 in [25]	50 in.-lb.	50 in.-lb.
C-22D	1-1/4 - 2 [32 - 51]	—	10 - 2 Str.	2.38 in [60]	3.63 [92]	0.75 in [0.19]	1.00 in [25]	50 in.-lb.	50 in.-lb.
C-4*	2-1/2 - 4 [46 - 114]	—	10 - 2 Str.	4.13 in [105]	6.25 [159]	0.96 in [24]	1.88 in [48]	50 in.-lb.	50 in.-lb.
C-8*	4-1/2 - 6 [114 - 165]	—	10 - 2 Str.	4.29 in [109]	8.34 [212]	1.25 in [32]	1.88 in [48]	50 in.-lb.	50 in.-lb.

* Supplied with zinc-plated steel hardware.

BUDGET PRICE CAST BRONZE GROUND CLAMP

C5 similar to C11, but lighter duty.



Catalog Number	Accommodates Conductor Range		Reference Dimensions			Recommended Screw Torque (Inch Pounds)	
	Water Pipe	Ground	H	L	W	Pipe Clamp	Wire Clamp
C-5	1/2 - 1 [13 - 25]	10 - 2 Str.	1.56 in [40]	2.25 [56]	0.56 in [14]	50 in.-lb.	50 in.-lb.

CAST BRONZE GROUND CLAMPS - LAY-IN

With Lay-in Feature

For connecting grounding conductor to water pipe, copper tube, ground rod or rebar. The open face design allows for fast lay-in of the tap conductor without the need for cutting. Simply reverse bottom clamp for smaller size rebar or rod. Connectors are provided with Silicon Bronze hardware.



Fig.1



Fig.2

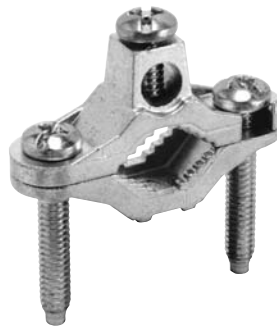


E-51

Catalog Number	Fig. #	Accommodates Conductor Range				Reference Dimensions			Recommended Screw Torque (Inch Pounds)
		Main		Tap		H	L	W	
		Water Pipe	Rebar	Ground Rod	Ground				
C11K16D	1	1/2" - 1" [13-25]	#4 - #6	3/8" - 1"	#10 - #2 Str.	1.64	2.28	0.66	50 in.-lbs.
C11K17D	2	1/2" - 1" [13-25]	#4 - #6	3/8" - 1"	#10 - #2 Str.	1.64	2.28	0.66	50 in.-lbs.

DIE CAST CLAMPS

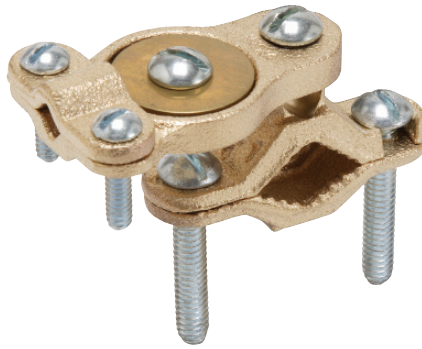
Die cast zinc with zinc plated screws.



Catalog Number	Accommodates Conductor Range		Reference Dimensions				Recommended Screw Torque (Inch Pounds)	
	Water Pipe	Ground	H	L	W	C	Pipe Clamp	Wire Clamp
CZ-11	1/2" - 1" [13-25]	10 - 2 Str.	1.56" [40]	2.25" [56]	0.56" [14]	0.50" [13]	50 in.-lb.	50 in.-lb.

CAST BRONZE CLAMPS

To connect armored cable to water pipe. Zinc plated screws. Pressure bar grips armor or outer cable insulation. 360° swing hub for easy alignment.

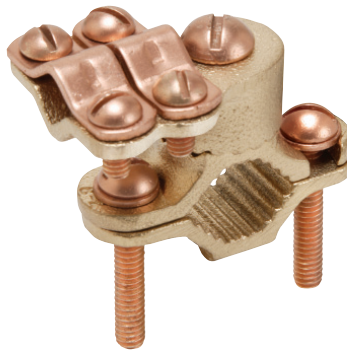


E-52

Catalog Number	Accommodates Conductor Range		Reference Dimensions			Recommended Torque	
	Water Pipe	Armored Conductor	H	L	W	Pipe Clamp	Wire Clamp
C-11JA	1/2 - 1 [13-25]	10 - 6 Sol.	1.38" [35]	3.05" [77]	1.41" [36]	50 in.-lb.	50 in.-lb.
C-22JA	1-1/4 - 2 [32-51]	10 - 6 Sol.	2.60" [66]	3.69" [94]	1.41" [36]	50 in.-lb.	50 in.-lb.
C-4JA	2-1/2 - 4 [64-102]	10 - 6 Sol.	4.29" [109]	5.01" [128]	1.41" [36]	50 in.-lb.	50 in.-lb.

CAST BRONZE GROUND CLAMPS

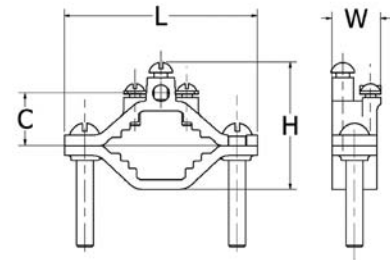
For connecting grounding conductor, EMT or rigid conduit to water pipe, copper tube, ground rod or rebar. Hub swings 360° for easy alignment. Simply reverse bottom clamp for smaller size rebar or rod. Connectors are provided with Silicon Bronze hardware.



Catalog Number	Accommodates Conductor Range				Reference Dimensions			Recommended Screw Torque (Inch Pounds)
	Main			Tap	H	L	W	
	Water Pipe	Rebar	Ground Rod	Ground				
C11HD4/0DB	1/2" - 1" [13-25]	#4 - #6	3/8" - 1"	#8 - 4/0 AWG	2.25	2.65	1.56	50 in.-lbs.
C22HD4/0DB	1-1/4" - 2" [32-51]	—	—	#8 - 4/0 AWG	2.70	3.60	1.56	50 in.-lbs.

CAST BRONZE CLAMPS

For connecting armored cable to water pipe. Zinc plated screws. "D" indicates UL467 for direct burial in earth and concrete, supplied with silicon bronze hardware.



E-53

Catalog Number	Accommodates Conductor Range			Reference Dimensions				Recommended Screw Torque (Inch Pounds)	
	Water Pipe	Ground	Ground Clamp	H	L	W	C	Pipe Clamp	Wire Clamp
C-6	1/2 - 1 [13-25]	10 - 2 Str.	Bare Armored Unarmored Wire Cables or Cords	1.60" [41]	2.34" [59]	1.06" [27]	0.63" [16]	50 in.-lb.	50 in.-lb.
C-6D	1/2 - 1 [13-25]	10 - 2 Str.		1.60" [41]	2.34" [59]	1.06" [27]	0.63" [16]	50 in.-lb.	50 in.-lb.
C-7	1-1/4 - 2 [32-51]	10 - 2 Str.		2.38" [60]	3.62" [92]	0.94" [24]	1.00" [25]	50 in.-lb.	50 in.-lb.

CAST BRONZE CLAMP FOR RIGID CONDUIT

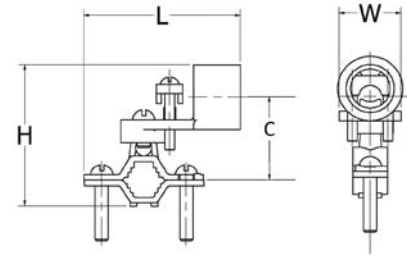
For grounding rigid conduit systems. Zinc plated screws.



Catalog Number	Accommodates Conductor Range			Reference Dimensions				Recommended Screw Torque (Inch Pounds)	
	Water Pipe	Ground	Hub Size	H	L	W	C	Pipe Clamp	Wire Clamp
C-61	1/2 - 1 [13-25]	#6 Sol. Max.	1/2 [13]	2.07" [53]	2.34" [59]	1.34" [34]	1.06" [27]	50 in.-lb.	50 in.-lb.
C-66	1-1/4 - 2 [32-51]	#6 Sol. Max.	1/2 [13]	2.69" [68]	3.62" [92]	1.34" [34]	1.40" [36]	50 in.-lb.	50 in.-lb.

CAST BRONZE CLAMPS FOR CONDUIT

For grounding rigid conduit systems. Continuity from rigid conduit systems to ground provided by cast bronze threaded conduit hub. Zinc plated screws.



-2, -3 Versions*



E-54

Catalog Number	Accommodates Conductor Range			Reference Dimensions				Recommended Screw Torque (Inch Pounds)	
	Water Pipe	Ground	Hub Size	H	L	W	C	Pipe Clamp	Wire Clamp
C-11LH-1	1/2 - 1 [13-25]	10 Str. - 6 Sol.	1/2 [13]	2.25" [57]	3.23" [83]	0.69" [18]	0.97" [25]	50 in.-lb.	50 in.-lb.
C-22LH-1	1-1/4 - 2 [32-51]	10 Str. - 6 Sol.	1/2 [13]	2.88" [73]	3.50" [89]	0.69" [18]	1.34" [34]	50 in.-lb.	50 in.-lb.
C-4LH-1	2-1/2 - 4 [54-102]	10 Str. - 6 Sol.	1/2 [13]	4.56" [116]	4.82" [122]	0.69" [18]	2.44" [62]	50 in.-lb.	50 in.-lb.
C-11LH-2	1/2 - 1 [13-25]	2/0 - 10 Str.	3/4 [19]	2.56" [65]	2.86" [73]	1.00" [25]	1.13" [29]	50 in.-lb.	50 in.-lb.
C-22LH-2	1-1/4 - 2 [32-51]	2/0 - 10 Str.	3/4 [19]	3.19" [65]	3.50" [89]	1.00" [25]	1.50" [38]	50 in.-lb.	50 in.-lb.
C-4LH-2	2-1/2 - 4 [64-102]	2/0 - 10 Str.	3/4 [19]	4.88" [124]	4.82" [122]	1.00" [25]	2.38" [60]	50 in.-lb.	50 in.-lb.
C-11LH-3	1/2 - 1 [13-25]	3/0 - 10 Str.	1 [25]	2.69" [68]	2.86" [73]	1.13" [29]	1.19" [30]	50 in.-lb.	50 in.-lb.
C-22LH-3	1-1/4 - 2 [32-51]	3/0 - 10 Str.	1 [25]	3.32" [59]	3.50" [89]	1.13" [29]	1.56" [40]	50 in.-lb.	50 in.-lb.
C-4LH-3	2-1/2 - 4 [64-102]	3/0 - 10 Str.	1 [25]	5.01" [127]	4.82" [122]	1.13" [29]	2.44" [62]	50 in.-lb.	50 in.-lb.

* C-LH with -1 has one screw; -2 and -3 Versions have 2 screws as shown.

CAST BRONZE CLAMP WITH COPPER STRAP

For grounding rigid conduit systems. Strap helps protect conduit system from water system vibrations. Zinc plated screws. Strap ETP copper.



Fig. 1



Fig. 2



Catalog Number	Fig. #	Accommodates Conductor Range			Reference Dimensions					Recommended Screw Torque (Inch Pounds)	
		Water Pipe	Ground	Hub Size	H	L	W	C	D	Pipe Clamp	Wire Clamp
C-11CSH-1	1	1/2 - 1 [13-25]	6 Sol. Max.	1/2 [13]	1.75" [44]	8.50" [216]	1.06" [27]	1.06" [27]	6.12" [155]	50 in.-lb.	50 in.-lb.
C-11CSH-2	1	1/2 - 1 [13-25]	4/0 Str. Max.	3/4 [19]	1.75" [44]	8.50" [216]	1.25" [32]	1.50" [38]	6.12" [155]	50 in.-lb.	50 in.-lb.
C-11CSH-3	1	1/2 - 1 [13-25]	4/0 Str. Max.	1 [25]	1.75" [44]	8.50" [216]	1.50" [38]	1.75" [44]	6.12" [155]	50 in.-lb.	50 in.-lb.
C11CSLH12	2	1/2 - 1 [13-25]	2/0 Str. Max.	1/2 [13]	1.75" [44]	8.50" [216]	1.18" [30]	1.06" [27]	6.12" [155]	50 in.-lb.	45 in.-lb.

TYPE GC-A

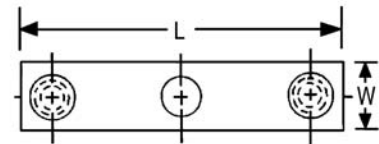
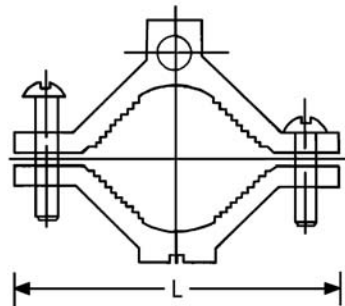
Dual Rated Ground Clamp
For Copper and Aluminum Cable

GC-A ground clamps are UL Listed for use with either copper or aluminum conductors to copper water pipe, galvanized pipe or steel conduit. All clamps are constructed from tin plated high-strength extruded aluminum alloy. PENETROX™ oxide inhibiting joint compounds are recommended for all aluminum applications.



Features & Benefits

- Clamps are dual rated for both copper and aluminum conductors
 - ◊ Maximum flexibility of application
- All connectors are tin plated
 - ◊ Provide low contact resistance and prevents galvanic corrosion
- All clamps are range taking
 - ◊ Only 3 catalog numbers covers complete range of applications from 1/2 - 4 inches



Catalog Number	Conduit, Pipe, or Water Tube Size**	Wire Range	Screw Type	W	L	Hex Size
GC15A	1/2 - 3/4 - 1	1/0 - 14	Slotted	11/16	2-1/4	Slot
GC18A	1-1/4 - 1-1/2 - 2	250 kcmil - 6	Hex Socket	13/16	3-3/4	5/16
GC22A	2-1/2 - 3 - 3-1/2 - 4	250 kcmil - 6	Hex Socket	1	6-5/16	5/16

NOTE:

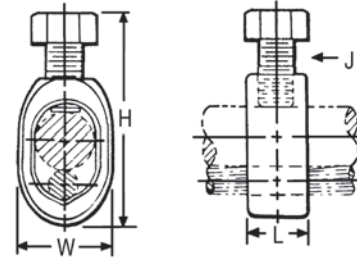
** Refer to Section O for tube dimensions.

E-55

TYPE GRC

High Strength Ground Rod Clamp For Copper Cable to Rod

High copper alloy ground connector for joining a range of cable to copper clad, galvanized steel, and stainless steel ground rods. Slips over end of rod, one-wrench installation. UL467 Listed for direct burial in earth and concrete.



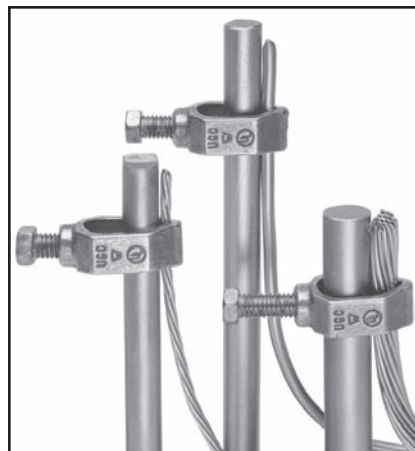
E-56

Catalog Number	Drive Rod	Conductor Range		H	W	L	J
		Min.	Max.				
GRC12	1/2	10 Sol.	2 Str.	2.00	0.89	0.63	3/8
GRC58	5/8	10 Sol.	1 Str.	2.19	0.95	0.63	3/8
GRC34	3/4	8 Sol.	1/0 Str.	2.47	1.09	0.65	3/8

TYPE GCRT1/0 GROUND CONNECTORS

Ground Clamp Range Taking, up to 1/0

The GCRT1/0 is a range taking ground rod clamp offering another choice from the BURNDY® family of connectors. The GCRT1/0 works on 1/2", 5/8" and 3/4" ground rods with a wire range of #8 through 1/0! The clamp is UL467 Listed for direct burial in earth and concrete. Catalog number GCRT1/0.



Features & Benefits

- Range taking design helps reduce inventory
- UL Listed and CSA Certified
- UL467 Listed for direct burial in earth and concrete



TYPE GRL

Light Duty Economical Ground Rod Clamp

UL 467 Listed. Acceptable for direct burial in earth and concrete.

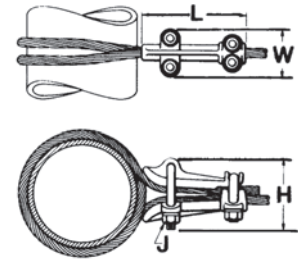
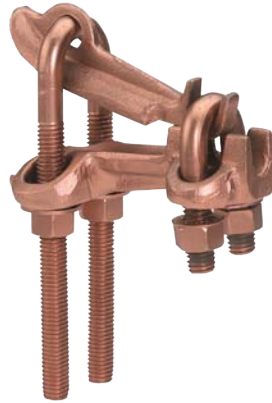


Catalog Number	Rod Size	Conductor Range	
		Minimum	Maximum
GRL3	3/8 in	10 AWG	4 AWG
GRL4	1/2 in	10 AWG	2 AWG
GRL5	5/8 in	10 AWG	2 AWG
GRL6	3/4 in	10 AWG	2 AWG

TYPE GQ

Ground Connector
For Copper Cable to Tube

High copper alloy ground connector for cross connecting a wide range of cable. High copper alloy, cast body, DURIMUM™ U-bolts, nuts, and lockwashers make the GQ suitable for burial in soil or concrete. One-wrench installation. UL467 Listed. Acceptable for direct burial in earth or concrete.



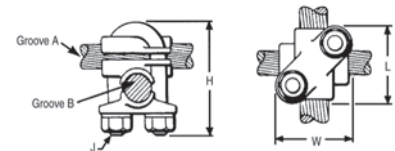
E-57

Catalog Number	Conductor		H	J	L	W
	I.P.S.	Cable				
GQ2626	6" Max.	4 Str. - 2/0 Str.	4-1/2	1/2	5	2-1/2
GQ26-1	Above 6"	4 Str. - 2/0 Str.	7-1/8	1/2	5	2-1/2
GQ2929	6" Max.	2/0 Str. - 250	4-1/8	1/2	6	2-3/4
GQ29-1	Above 6"	2/0 Str. - 250	7-1/2	1/2	6	2-3/4

TYPE GX

Ground Connector
For Copper Cables

High copper alloy ground connector for cross connecting a wide range of cable. The high copper alloy cast body, DURIMUM™ U-bolts, nuts, and lockwashers make the GX suitable for burial in soil or concrete. One-wrench installation. UL467 Listed. Acceptable for direct burial in earth or concrete.

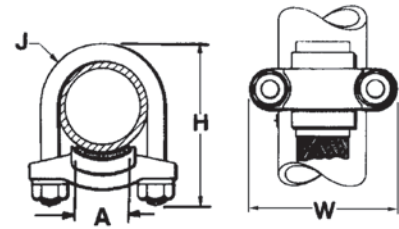


Catalog Number	Conductor		H	J	L	W
	Groove A	Groove B				
GX4C4C	8 Sol. - 4 Str.	8 Sol. - 4 Str.	1-7/8	3/8	1-5/8	1-5/8
GX264C	4 Sol. - 2/0 Str.	8 Sol. - 4 Str.	2-1/2	3/8	1-3/4	1-2/3
GX2626	4 Sol. - 2/0 Str.	4 Sol. - 2/0 Str.	2-1/2	3/8	1-3/4	1-2/3
GX294C	2/0 Sol. - 250	8 Sol. - 4 Str.	2-3/4	3/8	1-7/8	1-7/8
GX2926	2/0 Sol. - 250	4 Sol. - 2/0 Str.	2-1/2	3/8	1-7/8	1-7/8
GX2929	2/0 Sol. - 250	2/0 Sol. - 250	2-3/4	3/8	1-7/8	1-7/8
GX344C	300 - 500	8 Sol. - 4 Str.	2-3/4	3/8	2-1/8	1-7/8
GX3426	300 - 500	4 Sol. - 2/0 Str.	2-3/4	3/8	2-1/8	1-7/8
GX3429	300 - 500	2/0 Sol. - 250	2-3/4	3/8	2-1/8	1-7/8
GX3434	300 - 500	300 - 500	4-1/4	1/2	2-5/8	2-5/8

TYPE GG

Ground Connector
For Copper Bar, Strap, Braid or Cable
to Rod or Tube

High copper alloy ground connector for joining bar, strap, braid or cable to rod or tube. High copper alloy cast body, DURIMUM™ U-bolts, nuts and lockwashers make the GG particularly effective for use with braid for ground rods, switch handles, fence posts and gates. One-wrench installation.



E-58

Catalog Number	Conductor		A	H	J	W
	Tube I.P.S. **	Rod				
GG15-1	1	1-1/8 - 1-1/4	1	3-3/8	3/8	2-5/8
GG16-1	1-1/4	1-3/8 - 1-1/2		3		
GG17-1	1-1/2	1-5/8 - 1-7/8		3-1/2		3-1/4
GG17-15			1-1/2	3-1/4		
GG18-1	2	2 - 2-3/8	1	4-1/4	1/2	3-3/4
GG18-15			1-1/2	4-1/8		
GG18-2			2	4-1/8		
GG19-2	2-1/2	2-1/2 - 2-7/8	2-1/2	5	1/2	4-5/8
GG19-25						2-1/2
GG20-2	3	3 - 3-1/2	2	6-3/8	1/2	5-1/5
GG20-25			2-1/2			5-1/4
GG20-3			3			5-1/4
GG21-2	3-1/2	3-1/2 - 4	2	5-7/8	1/2	5-3/4
GG21-25			2-1/2			
GG21-3			3			
GG21-35			3-1/2			
GG22-2	4	4 - 4-1/2	2	6-1/2	1/2	6-1/4
GG22-25			2-1/2			
GG22-3			3			
GG22-4			4			
GG24-2	5	—	2	7-5/8	1/2	7-1/4

NOTE:

** Refer to Section O for tube dimensions.

**FLEXIBLE COPPER BRAID
JUMPER**

Copper braid is made of tinned, pure copper wire woven and flattened into a rectangular shape for greater flexibility. Seamless, pure copper ferrules are formed and assembled on each end to provide appropriate contact surfaces.

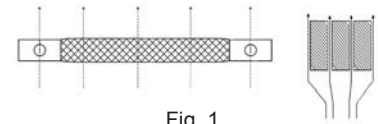


Fig. 1
Conventional current have maximum cooling effect with Braid in vertical position.

Braid is used extensively to compensate for expansion and contraction of moving parts and for thermal movement of rigid devices; to prevent breakage of insulators or bushings or equipment because of misalignment during settling of substation foundations; to absorb shock and vibration of operating equipment; and to provide flexible current carrying leads between moving parts of heavy machinery or equipment.

BULK BRAID

Bulk braid can be ordered with a minimum order quantity of 10 feet. Specify feet in number of inches.

Example: 10 feet of 190 ampere braid is Catalog No. BB077L120.

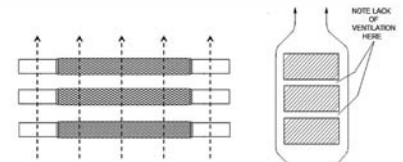
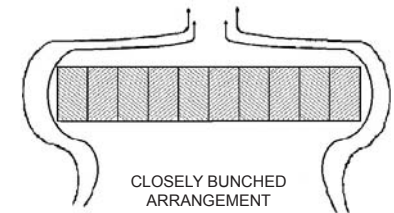


Fig. 2
Ventilation less efficient with Braid in horizontal position

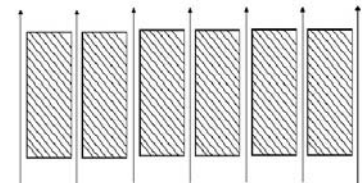
**CURRENT CARRYING
CAPACITY**

Flexible copper braid has generally better heat dissipation properties than flat bar, cable or other conductors, and therefore can be expected to have a greater current carrying capacity for given cross-sectional area. This is due to its greater surface area resulting from the woven construction of fine strands. However, ventilation, due to the vertical convection current of air, is appreciably better when the long axis of the braid is vertical rather than horizontal, so that the long sides of the braid, rather than the edges, are exposed to the moving air. This is particularly true when spaced braids are used in multiple as can be seen by comparing Figure 1 and 2.

INDOOR RATING AMPS	EQUIV CIRCULAR AREA	CAT NO.	APPROX WEIGHT PER FT
75	24,000	BB024L	0.06
95	48,000	BB048L	0.16
110	67,000	BB067L	0.22
190	77,184	BB077L	0.24
340	153,700	BB154L	0.49
360	231,552	BB226L	0.76
415	300,000	BB300L	1.06



CLOSELY BUNCHED ARRANGEMENT



OPEN ARRANGEMENT

Cooling due to convection current much more effective with spaced Braid

Fig. 3



To take full advantage of ventilation, the cooling convection current of air should be permitted to flow freely between the braids. Therefore, if possible, the braids should be spaced apart, rather than bunched together, as illustrated in Figure 3. The effectiveness of spacing is, of course, greater when the braids are in a vertical position.

FLEXIBLE COPPER BRAID

CUSTOM DESIGNS

Flexible copper braid offers an economical and efficient means of protecting electrical equipment from the potentially harmful effects of shock and vibration, terminal expansion, movement of components and misalignment that may occur during the service life of the equipment.

E-60

Many varieties of braid are required to meet those needs which we can build to your specifications.

We also offer engineering assistance in the selection of the most appropriate standard or custom braid configuration for your application.

CUSTOM VARIATIONS

Drilling

- * Undrilled
- * Elongated (slotted) holes
- * Special hole patterns and location
- * Metric
- * NEMA

Plating

- * Tin
- * Silver
- * Nickel
- * Unplated

Length

- * Jumper (overall)
- * Ferrule(s) contact

Insulated (covered)

- * Tubular
- * Heat shrink

Split Braid Assemblies

- * Stacked
- * Side-by-side

Multiple Ferrules

Preformed Configurations

- * Offset contact surfaces
- * Angular (e.g. 90°, 180°) bends
- * Ferrule contact surfaces rotated 90° on braid axis

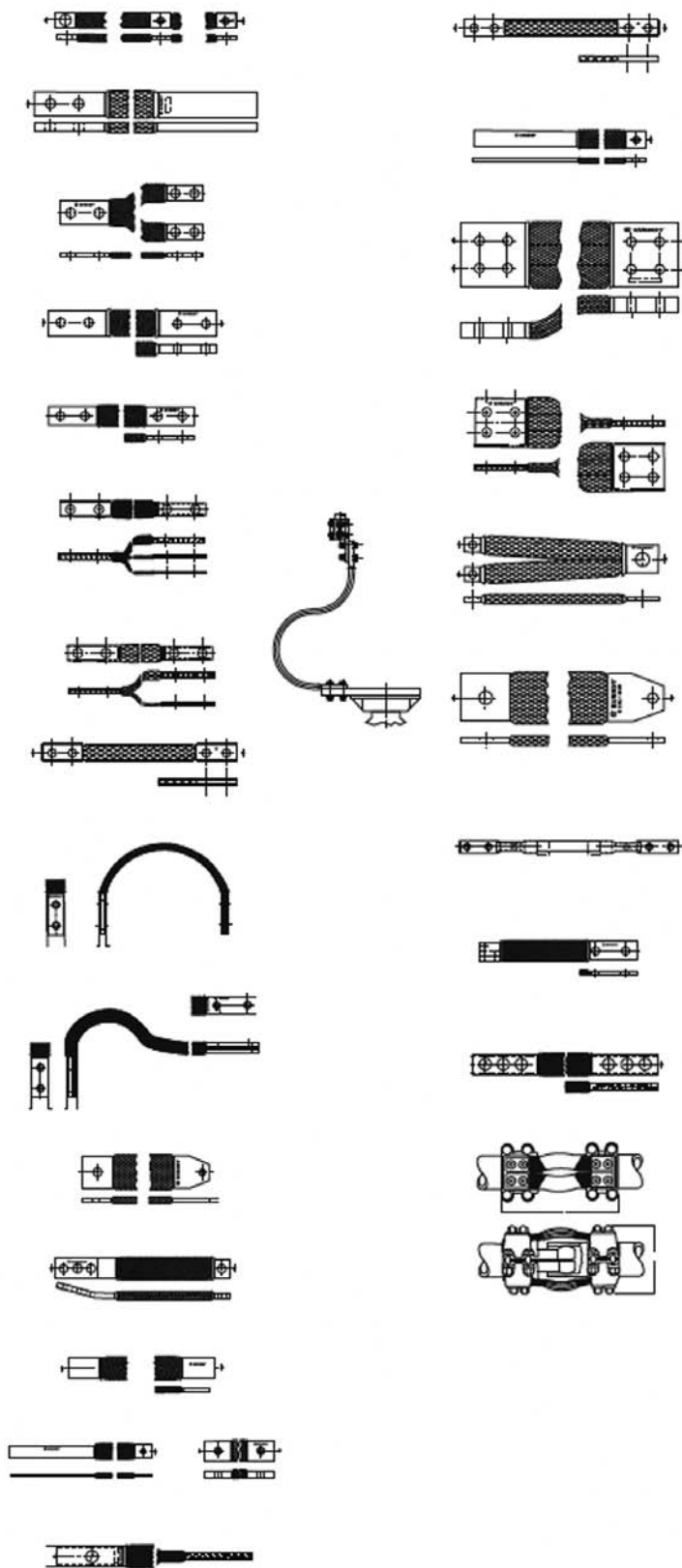
Combined Braid Assemblies

Combined connector - Braid Assemblies

Ferrule Variations

- * Belled/unbelled
- * Width/thickness
- * Contact length
- * Special shaping
- * Bent at angle°

High Ampacity Requirements



TYPE B

**1-Hole Ferrule End Flexible Copper
Braid, Bonding Jumpers,
Bonding Straps**

Flexible copper braid jumpers designed to take up linear expansion and contraction, compensate for misalignment and absorb vibratory movement of electrical equipment and devices. Made of flat extra flexible tinned pure copper braid with high quality BURNDY ferrules on each end. Other lengths, plating and connector sizes are available; contact BURNDY for more information.



E-61

Catalog Number	AWG Equivalent	Length (inches)	End Type	Stud Hole	Approximate Ampere Rating	
					Indoor	Outdoor
BB024L6T14*	#6 AWG	6.00	Ferrule	1/4	75	100
BB024L9T14*	#6 AWG	9.00	Ferrule	1/4	75	100
BB036L9T14*	#5 AWG	9.00	Ferrule	1/4	85	125
BB036L12T14*	#5 AWG	12.00	Ferrule	1/4	85	125
BB036L18T14*	#5 AWG	18.00	Ferrule	1/4	85	125
BB048L6T14*	#4 AWG	6.00	Ferrule	1/4	95	150
BB048L9T14*	#4 AWG	9.00	Ferrule	1/4	95	150
BB067L6T14	#2 AWG	6.00	Ferrule	1/4	110	180
BB067L9T14	#2 AWG	9.00	Ferrule	1/4	110	180
BD6T14	#1 AWG	6.00	Ferrule	1/4	190	225
BD9T14	#1 AWG	9.00	Ferrule	1/4	190	225
BE12T716	3/0 AWG	12.00	Ferrule	7/16	340	405
BE18T716	3/0 AWG	18.00	Ferrule	7/16	340	405
BE12T58	3/0 AWG	12.00	Ferrule	5/8	340	405
BE18T58	3/0 AWG	18.00	Ferrule	5/8	340	405
BE24T58	3/0 AWG	24.00	Ferrule	5/8	340	405
BE6T716	3/0 AWG	6.00	Ferrule	7/16	340	405
BF6T716	4/0 AWG	6.00	Ferrule	7/16	360	430
BF12T716	4/0 AWG	12.00	Ferrule	7/16	360	430
BF18T716	4/0 AWG	18.00	Ferrule	7/16	360	430
BG6T716	300 kcmil	6.00	Ferrule	7/16	415	495
BG8T716	300 kcmil	8.00	Ferrule	7/16	415	495
BG12T716	300 kcmil	12.00	Ferrule	7/16	415	495
BG12T12	300 kcmil	12.00	Ferrule	1/2	415	495

* Not CSA Certified

TYPE B

Flexible Copper Braid

Flexible copper braid jumpers designed to take up linear expansion and contraction, compensate for misalignment and absorb vibratory movement of electrical equipment and devices.

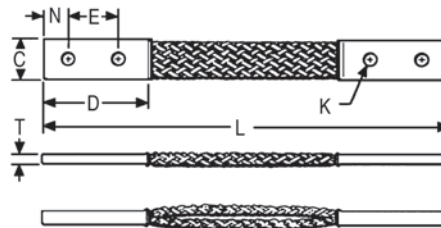
Made of flat extra flexible, tinned, pure copper braid, with unplated, seamless, pure copper ferrules formed into a rectangular shape on each end.



E-62

Last two numbers in catalog number indicate total length of braid in inches (e.g., BD12N or BD12 is 12" long braid jumper).

Other lengths, plating and drilling are available. Contact the factory.



Catalog # Prefix	Equiv. AWG Size
BD	#1
BE	3/0
BF	4/0
BG	300 kcmil

Catalog Number	Number of Braids in Ferrules	C	D	E	K	L	N	T	Approximate Ampere Rating	
									Indoor	Outdoor
BD12 ②	1	0.94	2.50	1.25	0.44	12	0.62	0.13	190	225
BD12N ②	1	0.94	3.00	1.75	0.56	12	0.62	0.13	190	225
BD18 ②	1	0.94	2.50	1.25	0.44	18	0.62	0.13	190	225
BD18N ②	1	0.94	3.00	1.75	0.56	18	0.62	0.13	190	225
BD24 ②	1	0.94	2.50	1.25	0.44	24	0.62	0.13	190	225
BD24N ②	1	0.94	3.00	1.75	0.56	24	0.62	0.13	190	225
BE12 ②	1	1.50	3.00	1.50	0.44	12	0.75	0.17	340	405
BE12N ②	1	1.50	3.00	1.75	0.56	12	0.62	0.17	340	405
BE18 ②	1	1.50	3.00	1.50	0.44	18	0.75	0.17	340	405
BE18N ②	1	1.50	3.00	1.75	0.56	18	0.62	0.17	340	405
BE24 ②	1	1.50	3.00	1.50	0.44	24	0.75	0.25	340	405
BE24N ②	1	1.50	3.00	1.75	0.56	24	0.62	0.17	340	405
BF12 ②	1	1.19	3.00	1.50	0.44	12	0.75	0.25	360	430
BF12N ②	1	1.19	3.00	1.75	0.55	12	0.62	0.25	360	430
BF18 ②	1	1.19	3.00	1.50	0.44	18	0.75	0.25	360	430
BF18N ②	1	1.19	3.00	1.50	0.44	18	0.75	0.25	360	430
BF24 ②	1	1.19	3.00	1.50	0.44	24	0.75	0.25	360	430
BF24N ②	1	1.19	3.00	1.75	0.56	24	0.62	0.25	360	430
BG12	1	1.50	3.00	1.50	0.44	12	0.75	0.25	415	495
BG12N ①	1	1.50	3.00	1.75	0.56	12	0.62	0.25	415	495
BG18	1	1.50	3.00	1.50	0.44	18	0.75	0.25	415	495
BG18N ①	1	1.50	3.00	1.75	0.56	18	0.62	0.25	415	495
BG24	1	1.50	3.00	1.50	0.44	24	0.75	0.25	415	495
BG24N ①	1	1.50	3.00	1.75	0.56	24	0.62	0.25	415	495

① Tongue drilled per (2) hole NEMA Standard

② Certified to CSA C22.2, No. 41 Grounding and Bonding Equipment Standards in addition to the UL467 Listing which all items above are Listed to.

NOTE: Equivalent sizes may be designated by suffix letters representing variations in length, mounting configurations, pad size and finish. Contact factory for details. For Tin plated ferrules add suffix -TN to the catalog number.

TYPE B

Flexible Copper Braid (Continued)



Catalog Number	Number of Braids in Ferrules	C	D	E	K	L	N	T	Approximate Ampere Rating	
									Indoor	Outdoor
B2D12 ②	2	0.94	2.5	1.25	0.44	12	0.62	0.25	380	455
B2D12N ②	2	0.94	3.00	1.75	0.56	12	0.62	0.25	380	455
B2E12	2	1.62	3.00	1.50	0.44	12	0.75	0.25	530	635
B2E12N ①	2	1.62	3.00	1.75	0.56	12	0.62	0.25	530	635
B2F12	2	1.38	3.00	1.50	0.44	12	0.75	0.38	600	720
B2F12N ①	2	1.38	3.00	1.75	0.56	12	0.62	0.38	600	720
B2G12N ①	2	1.50	3.00	1.75	0.56	12	0.62	0.50	700	840
B3D12	3	1.19	2.50	1.25	0.44	12	0.62	0.25	470	560
B3D12N ②	3	1.19	3.00	1.75	0.56	12	0.62	0.25	470	560
B3E12	3	1.64	3.00	1.50	0.44	12	0.75	0.31	700	840
B3E12N ①	3	1.64	3.00	1.75	0.56	12	0.62	0.31	700	840
B3F12	3	1.44	3.00	1.50	0.44	12	0.75	0.56	820	980
B3F12N ①	3	1.44	3.00	1.75	0.56	12	0.62	0.56	820	980
B3G12	3	1.69	3.00	1.50	0.44	12	0.75	0.69	960	1150
B3G12N ①	3	1.69	3.00	1.75	0.56	12	0.62	0.69	960	1150
B4D12	4	1.19	2.50	1.25	0.44	12	0.62	0.32	600	720
B4D12N ①	4	1.19	3.00	1.75	0.56	12	0.62	0.32	600	720
B4E12	4	1.64	3.00	1.50	0.44	12	0.75	0.38	850	1020
B4E12N ①	4	1.64	3.00	1.75	0.56	12	0.62	0.38	850	1020
B4F12	4	1.50	3.00	1.50	0.44	12	0.75	0.78	1000	1200
B4F12N ①	4	1.50	3.00	1.75	0.56	12	0.62	0.78	1000	1200
B4G12N ①	4	1.69	3.00	1.75	0.56	12	0.62	0.94	1200	1440

E-63

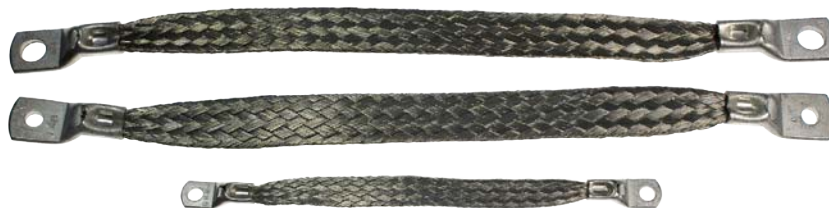
- ① Tongue drilled per (2) hole NEMA Standard
- ② Certified to CSA C22.2, No. 41 Grounding and Bonding Equipment Standards in addition to the UL467 Listing which all items above are Listed to.

NOTE:
Equivalent sizes may be designated by suffix letters representing variations in length, mounting configurations, pad size and finish. Contact factory for details. For Tin plated ferrules add suffix -TN to the catalog number.

TYPE BB-LT

1-Hole Connector End Flexible Copper Braid, Bonding Jumpers, Bonding Straps

Flexible copper braid jumpers designed to take up linear expansion and contraction, compensate for misalignment and absorb vibratory movement of electrical equipment and devices. Made of flat extra flexible tinned pure copper braid with high quality BURNDY tin plated connectors on each end. Other lengths, plating and connector sizes are available; contact BURNDY for more information.



E-64

Catalog Number	AWG Equivalent	Length (inches)	End Type	Stud Hole
BB024L8LT14	#6 AWG	8.00	Connector	1/4
BB024L12LT14	#6 AWG	12.00	Connector	1/4
BB024L18LT14	#6 AWG	18.00	Connector	1/4
BB024L24LT14	#6 AWG	24.00	Connector	1/4
BB048L12LT14	#4 AWG	12.00	Connector	1/4
BB048L18LT14	#4 AWG	18.00	Connector	1/4
BB048L24LT14	#4 AWG	24.00	Connector	1/4
BB048L12LT38	#4 AWG	12.00	Connector	3/8
BB048L18LT38	#4 AWG	18.00	Connector	3/8
BB048L24LT38	#4 AWG	24.00	Connector	3/8
BB048L12LT12	#4 AWG	12.00	Connector	1/2
BB048L18LT12	#4 AWG	18.00	Connector	1/2
BB048L24LT12	#4 AWG	24.00	Connector	1/2

TYPES CCY, B-B

Covered Jumpers

Insulated flexible copper braid jumpers designed to take up linear expansion and contraction, compensate for misalignment and absorb vibratory movement of electrical equipment and devices. Made of extra flexible tinned pure copper braid with high quality BURNDY tin plated connectors or ferrules on each end. Other lengths, plating, insulation colors and connector sizes are available; contact BURNDY for more information.



E-65

Catalog Number	AWG Equivalent	Length (inches)	End Type	Stud Hole	Heat Shrink Color			
CCY106LT12G	#10 AWG	6.00	Connector	1/2	Green			
CCY10L9T12G		9.00		1/2				
CCY10L12T12G		12.00		1/2				
CCY10L18T12G		18.00		1/2				
CCY10L24T12G		24.00		1/2				
CCY10L12LT1090G		12.00		#8-#10		Green		
CCY10L18LT1090G		18.00		#8-#10				
CCY10L24LT1090G		24.00		#8-#10				
CCY10L6LT38G		#10 AWG		6.00		Connector	3/8	Green & Yellow
CCY10L9LT38G				9.00			3/8	
CCY10L12LT38G	12.00		3/8					
CCY10L18LT38G	18.00		3/8					
CCY10L24LT38G	24.00		3/8					
CCY10L7T14GY	7.00		1/4	Black				
CCY10L9T14GY	9.00		1/4					
CCY10L12LT14GY	12.00	1/4						
CCY10L14LT14GY	14.00	1/4						
CCY10L18LT14GY	18.00	1/4						
BB024L12LT14B	#6 AWG	12.00	Connector	1/4	Black			
BB024L18LT14B		18.00		1/4				
BB024L24LT14B		24.00		1/4				
BD12NB	#1 AWG	12.00	Ferrule	2 hole NEMA	Black			
BD18NB		18.00		2 hole NEMA				
BD24NB		24.00		2 hole NEMA				

TYPE BB-SS

Stainless Steel Braid

Flexible stainless steel braid jumpers designed to take up linear expansion and contraction, compensate for misalignment and absorb vibratory movement of electrical equipment and devices. Made of flat extra flexible stainless steel braid with high quality BURNDY tin plated connectors or ferrules on each end. Other lengths, plating and connector sizes are available; contact BURNDY for more information.



E-66

Catalog Number	AWG Equivalent	Length (inches)	End Type	Stud Hole	
BB024SSL6LT516	#6 AWG	6.00	Connector	5/16	
BB024SSL9LT516		9.00		5/16	
BB024SSL12LT516		12.00		5/16	
BB024SSL6LT38		6.00		3/8	
BB024SSL9LT38		9.00		3/8	
BB024SSL12LT38		12.00		3/8	
BB024SSL6LT14		6.00		1/4	
BB024SSL9LT14		9.00		1/4	
BB024SSL12LT14		12.00		1/4	
BB024SSL6T14		6.00		Ferrule	1/4

TYPES GB, GBM

Ground Connector
For Copper Cable to Bar

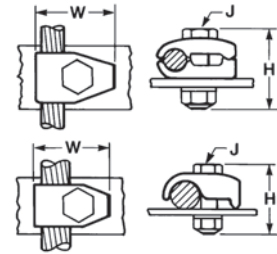
High copper alloy ground connector for joining a range of cable to 1/4" thick bar.* Type GB separates cable from bar, GBM clamps cable directly on bar surface. One-wrench installation. UL467 Listed. The high copper alloy cast body and DURIMUM™ bolts, nuts, and lockwashers make the GB and GBM suitable for direct burial in concrete or ground.



Type GB



Type GBM



Type GB

Type GBM



E-67

NOTE:

* The GB, GBM, GC, GCM, GL and GZ are all used for joining a range of cable to bar. The catalog numbers in each table accommodate the indicated cable range and up to 1/4" thick bar. Optional bolt lengths are available to accommodate up to 1" thick bar. For bar thicknesses from 1/4" to 1/2", add the suffix "T4" to the catalog number in the table. For bar thicknesses from 1/2" to 1", add the suffix "T8" to the catalog number in the table.

Catalog Number		Cable	H Type GB / GBL	H Type GBM	J	W Type GB/ GBL	W Type GBM	Rec. Torque
Type GB	Type GBM							
GB4C	GBM4C	8 AWG-4 AWG	1-1/2	1-1/2	3/8	1-1/4	1-1/4	240
GB26	GBM26	4 AWG-2/0 AWG	2	1-1/2	3/8	1-1/2	1-1/2	240
GBL30 ^①	—	4 AWG-300 kcmil	2	—	1/2	1-7/8	—	480
GB29	GBM29	2/0 AWG-250 kcmil	2	2	1/2	2	2	480
GB34	GBM34	300 kcmil-500 kcmil	3	2-1/4	1/2	2-3/8	2-3/8	480

① GBL30 is not UL Listed

TYPES GC, GCM

Ground Connector
For Two Copper Cables to Bar

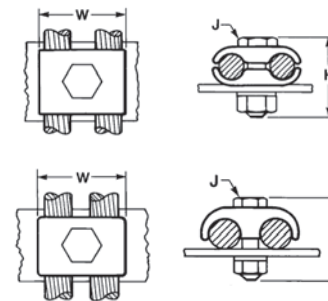
High copper alloy ground connector for joining a wide range of two parallel cables to 1/4" thick bar.* Type GC separates cable from bar, GCM clamps cable to bar surface. One-wrench installation. UL467 Listed. The high copper alloy cast body and DURIMUM™ bolts, nuts, and lockwashers make the GC and GCM suitable for direct burial in concrete or ground.



Type GC



Type GCM



Type GC

Type GCM



NOTE:

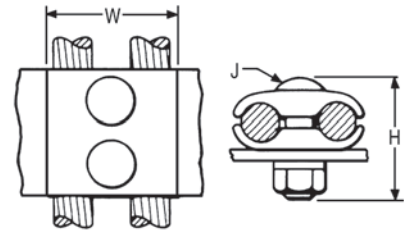
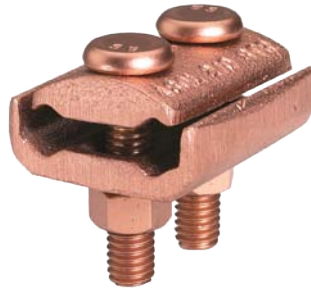
* The GB, GBM, GC, GCM, GL and GZ are all used for joining a range of cable to bar. The catalog numbers in each table accommodate the indicated cable range and up to 1/4" thick bar. Optional bolt lengths are available to accommodate up to 1" thick bar. For bar thicknesses from 1/4" to 1/2", add the suffix "T4" to the catalog number in the table. For bar thicknesses from 1/2" to 1", add the suffix "T8" to the catalog number in the table.

Catalog Number		Cable	H Type GC	H Type GCM	J	W Type GC/GCL	W Type GCM	Rec. Torque
Type GC	Type GCM							
GC4C4C	GCM4C	8 AWG-4 AWG	1-1/2	1-1/2	3/8	1-3/8	1	240
GC2626	GCM26	4 AWG-2/0 AWG	2	1-1/2	3/8	1-3/4	1-3/8	240
GCL30	—	5 AWG-300 kcmil	2	—	1/2	1	—	480
GC2929	GCM29	2/0 AWG-250 kcmil	2-1/4	2	1/2	2-1/4	2	480
GC3434	GCM34	300 kcmil-500 kcmil	2-7/8	2-1/4	1/2	2-7/8	2-5/8	480

TYPE GL

Ground Connector For Two Copper Cables to Bar

High copper alloy ground connector for joining a wide range of two parallel cables to 1/4" thick bar.* Two-bolt design, separates cable from bar. One-wrench installation. UL467 Listed. The high copper alloy cast body and DURIMUM™ bolts, nuts, and lockwashers make them suitable for direct burial in concrete or ground.



Catalog Number	Conductor	H	J	W
GL4C4C	8 AWG-4 AWG	1-1/2	3/8	1-3/8
GL2626	4 AWG-2/0 AWG	2	3/8	1-3/4
GL2929	2/0 AWG-250 kcmil	2-1/4	1/2	2-1/4
GL3434	300 kcmil-500 kcmil	2-7/8	1/2	2-7/8

NOTE:

* The GB, GBM, GC, GCM, GL and GZ are all used for joining a range of cable to bar. The catalog numbers in each table accommodate the indicated cable range and up to 1/4" thick bar. Optional bolt lengths are available to accommodate up to 1" thick bar. For bar thicknesses from 1/4" to 1/2", add the suffix "T4" to the catalog number in the table. For bar thicknesses from 1/2" to 1", add the suffix "T8" to the catalog number in the table.

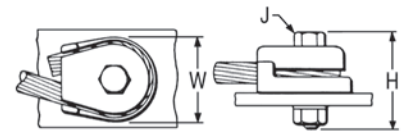
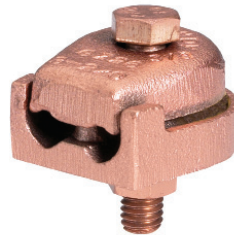
E-68



TYPE GZ

Ground Connector For Copper Cable to Bar

High copper alloy ground connector for joining a wide range of cable to 1/4" thick bar*. Cable is gripped by curving it around the clamping bolt in connector groove. UL467 Listed. The high copper alloy cast body and DURIMUM™ bolts, nuts, and lockwashers make them suitable for direct burial in concrete or ground.



Catalog Number	Conductor	H	J	W
GZ4C-38	8-4	1-1/2	3/8	1-1/8
GZ4C-12	8-4	1-7/8	1/2	1-3/4
GZ4C-58	8-4	2	5/8	1-3/4
GZ26-38	3-2/0	2	3/8	1-5/8
GZ26-12	3-2/0	2-1/8	1/2	1-3/4
GZ26-58	3-2/0	2-1/4	5/8	1-3/4
GZ29-38	3/0-250	2-1/4	3/8	2-1/4
GZ29-12	3/0-250	2-3/8	1/2	2-1/4
GZ29-58	3/0-250	2-1/2	5/8	2-1/4

NOTE:

* The GB, GBM, GC, GCM, GL and GZ are all used for joining a range of cable to bar. The catalog numbers in each table accommodate the indicated cable range and up to 1/4" thick bar. Optional bolt lengths are available to accommodate up to 1" thick bar. For bar thicknesses from 1/4" to 1/2", add the suffix "T4" to the catalog number in the table. For bar thicknesses from 1/2" to 1", add the suffix "T8" to the catalog number in the table.



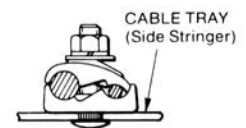
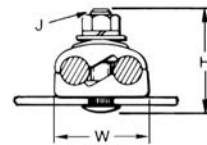
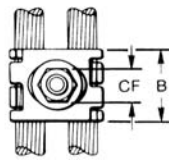
TYPE GC-CT

Cabletray Ground Clamp

This unique connector incorporates features which are unmatched. Made of tin-plated cast copper alloy, it accommodates either one or two conductors, copper or aluminum cable. In addition to a low profile head with a deep Phillips recess, the galvanized steel bolt has a ribbed neck which prevents rotation during installation when installed in a 0.44 diameter hole. When used on aluminum conductor, the cable must be scratch brushed and PENETROX™ A joint compound must be used on cable and connector. UL467 Listed for copper conductor only. Suitable for direct burial in concrete or earth.



E-69



Catalog Number	Accommodates Copper or Aluminum Conductor in either groove	B	CF	H	J	W
GC2525CT	#6 Sol. (0.16 Dia.) - 1/0 Str. (0.37 Dia.)	1.12	0.56	1.95	3/8	1.45
GC2626CT	#2 Sol. (0.26 Dia.) - 2/0 Str. (0.42 Dia.)	1.12	0.56	1.95	3/8	1.70
GC2929CT	2/0 Str. (0.41 Dia.) - 250 kcmil (0.58 Dia.)	1.12	0.56	2.20	3/8	1.98

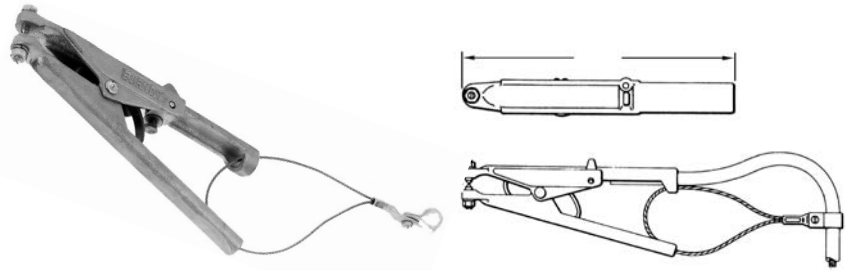
NOTE:

The bolt head is mounted on the inside wall of cabletray to avoid damage to the cable insulation. May be used with aluminum or galvanized steel cabletray.

TYPE GIE-G

Ground Connector
For Vehicle Grounding Heavy Duty
Construction

High-strength copper alloy ground clamps for grounding gasoline trucks, tank cars, aircraft and other vehicles where danger of explosion due to static electricity exists. Corrosion resistant and supplied with nonsparking, adjustable, replaceable contact grip screws. Automatic safety release disconnects should a vehicle unexpectedly move from the grounded area. Accommodates 4 Str. flexible copper cable.



Catalog Number	Description	Material	Point Configuration
GIE4CG3	Assembly Beryllium Copper	Beryllium Copper	Assembly
GIE4CG4	Assembly Stainless Steel	Stainless Steel	Assembly

Replacement Tips Only			
Catalog Number	Description	Material	Point Configuration
GIE4CG3P5	Beryllium Copper CONE Point Only	Beryllium Copper	Cone Point
GIE4CG3P7	Beryllium Copper CUP Point Only	Beryllium Copper	Cup Point
GIE4CG4P5	Stainless Steel CONE Point Only	Stainless Steel	Cone Point
GIE4CG4P7	Stainless Steel CUP Point Only	Stainless Steel	Cup Point

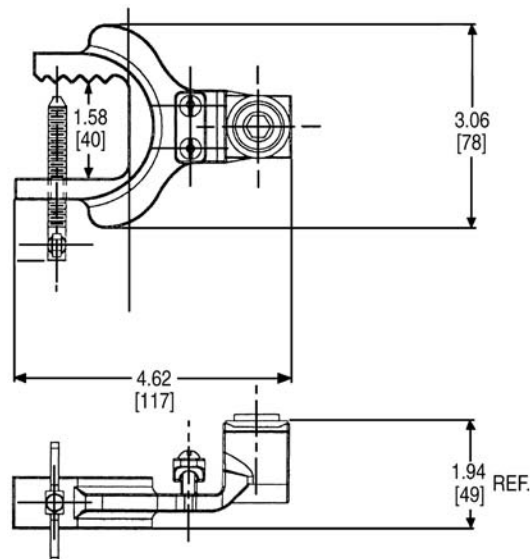
E-70

TYPE GIE-G

Ground Connector
For Vehicle Grounding, Heavy Duty
Construction

Accommodates flexible rubber sheath cable ranging from #6 to #2 conductor.

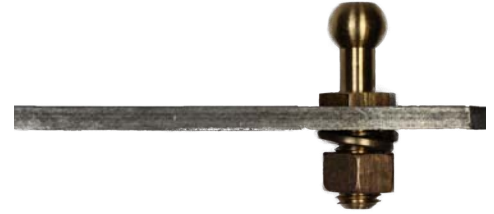
Catalog Number: GIE2CG3



TYPE GCB63T13G1

STUDBUG™ for Static Grounding
Applications

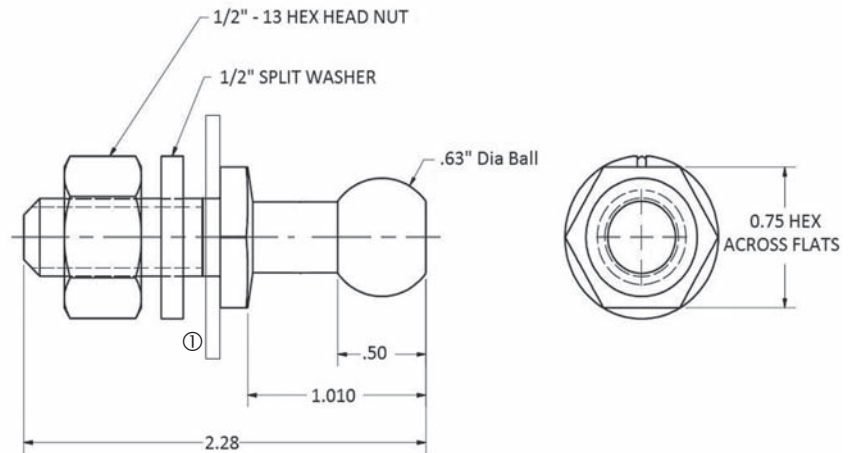
GCB63T13G1 is a temporary grounding stud for use on rail cars, chemical trucks, hazardous waste tankers or a petroleum vehicle to allow for static grounding protection, while in operation. It provides a contact point, allowing the rail car, truck or tanker to be grounded to an equipotential grid or ground rod, by using static reel or a ground cable.



E-71

Features & Benefits

- Made of bronze, and supplied with silicon bronze hardware
- Secured by 1/2" hexagonal nut and split lock washer
- Can be used with universal clamps and ball stud clamps
- Can be used at various angles to reach inaccessible areas
- Add suffix "SS" for grounding stud with stainless steel hardware



Note:
① Can be used with plate, bus bar or structural steel up to 1/4" thick.

BURNDY® STATIC DISCHARGE REELS

Static Discharge Reels are an excellent addition to the BURNDY® static discharge line of products. These reels are often used to dissipate static charge buildup developed while filling or dispensing fuel or other combustible liquids from fuel trucks or rail cars. Often used in the petroleum industry but applicable in any area where static discharge creates potential hazard.

E-72

These reels are heavy duty, of rugged construction and are supplied with a 100 amp universal jaw-type grounding clamp. The reels are available with 100 ft and 50 ft lengths. All reels come with spring rewind and centrifugal brake. The tension can be adjusted on these reels and installation instructions are included to ensure the most efficient mounting method.

Every reel is Proudly Made in the USA and meets the stringent quality expectations of the BURNDY® portfolio of grounding products.



BSD2050



BSD2050N

Features & Benefits

- 100 ft and 50 ft cable lengths
- Automatic E-Z PULL™ Rewinding
- Rugged Steel Construction
- Compact Enclosed Design (excluding BSD20100)
- Positive Ratchet Lock with Ratchet On/Off Switch (excluding BSD20100)
- Permanent Ratchet Lock (BSD20100 only)
- Steel Cable Installed
- 100 Amp Universal Jaw-Type Grounding Clamp
- Red Baked-on Finish
- Made in the USA



BSD2050Y

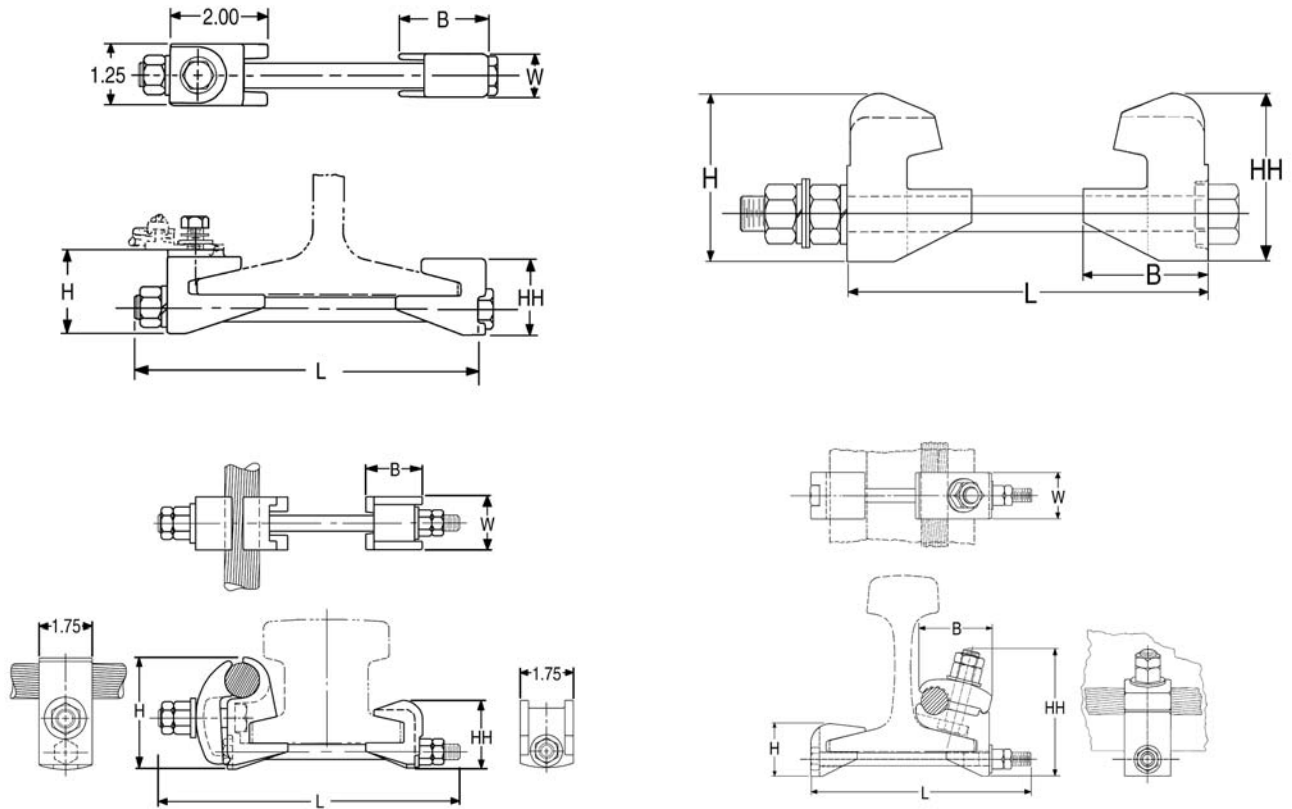


BSD20100

Catalog Number	Cable Length	# of Jaw-Type Grounding Clamps	Weight (lb.)
BSD20100	100 feet (Open Reel Design)	1	20
BSD2050	50 feet	1	12
BSD2050N	50 feet (Nylon Covered)	1	12
BSD2050Y	35 feet plus 15 feet of "Y"	2	13

RAIL CONNECTOR

Mechanical clamp connectors designed for use in power, contact or running rail applications. Connectors are cast of a high conductivity copper alloy, tin-plated, and assembled with high-strength DURIMUM™ hardware. Connectors designed for extended service life.



E-73

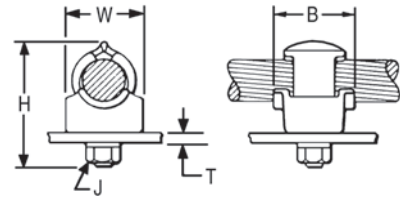
Catalog Number	Fig. No.	Accommodates	B	H	HH	L	W
J278	1	100 Lbs. A.R.E.A Running Rail	1.81	1.88	1.72	7.50	0.88
J279	1	75 or 90 Lbs. Running Rail	1.81	1.71	1.55	7.50	0.88
J280	1	150 Lbs. Contact Rail	2.12	2.08	1.92	7.00	1.25
J295	2	150 Lbs. Third Rail	2.62	3.50	3.50	7.75	3.00
RGC44G1 ①	3	150 Lbs. NMC Contact Rail and (1) 800-1000 kcmil CU Cable	1.75	2.82	2.25	10.00	1.75
RGC39G1 ①	4	115 Lbs. Contact or Running Rail and (1) 500-750 kcmil CU Cable	2.75	2.00	4.78	8.32	1.25

① Tin-plated

TYPE QGFL

BARTAP™

For Copper Cable to
Flat Bar or Pad



High copper alloy BARTAP™ for joining a range of cable to bar or pad. One-wrench installation. DURIMUM™ nut and lockwasher. Can be installed side by side or in line on NEMA drilled bar.

E-74

Catalog Number	Copper Conductor	B	H	J	T (Max)	W
QGFL1CB1	#10 Sol. - #1 Str.	1-1/8	1-7/8	3/8	1/4	1
QGFL1CB1T6	#10 Sol. - #1 Str.	1-1/8	2-3/8	3/8	3/4	1
QGFL26B1	#8 Sol. - #2/0 Str.	1-1/4	2-1/8	3/8	1/4	1-1/8
QGFL26B1T6	#8 Sol. - #2/0 Str.	1-1/4	2-5/8	3/8	3/4	1-1/8
QGFL26B2*	#8 Sol. - #2/0 Str.	1-1/4	2-8/25	1/2	1/4	1-1/8
QGFL26B2T6*	#8 Sol. - #2/0 Str.	1-1/2	2-40/50	1/2	3/4	1-1/8
QGFL29B1*	#6 Str. - 250 kcmil	1-2/5	2-5/8	1/2	1/4	1-3/8
QGFL29B1T6*	#6 Str. - 250 kcmil	1-5/8	3-1/8	1/2	3/4	1-3/8
QGFL31B1*	2 AWG - 350 kcmil	1-3/4	2-7/8	1/2	1/4	1-5/8
QGFL31B1T6*	2 AWG - 350 kcmil	1-3/4	3-1/4	1/2	3/4	1-5/8
QGFL34B1	1/0 -500 kcmil	2	3-1/8	1/2	1/4	1-3/4
QGFL34B1T6	1/0 -500 kcmil	2	3-5/8	1/2	3/4	1-3/4
QGFL39B1	350 kcmil - 750 kcmil	2-1/4	3-1/4	1/2	1/4	1-3/4
QGFL39B1T6	350 kcmil - 750 kcmil	2-1/4	3-5/8	1/2	3/4	1-3/4
QGFL44B1	750 kcmil - 1000 kcmil	2-1/4	3-3/8	1/2	1/4	2-1/8
QGFL44B1T6	750 kcmil - 1000 kcmil	2-1/4	4-1/8	1/2	3/4	2-1/8
QGFL46B1	1000 kcmil - 1500 kcmil	2-1/4	4	1/2	1/4	2-1/2
QGFL46B1T6	1000 kcmil - 1500 kcmil	2-1/4	4-1/2	1/2	3/4	2-1/2
QGFL48B1	1500 kcmil - 2000 kcmil	2-1/4	4-3/4	1/2	1/4	3

* Can be installed side by side or in line on NEMA drilled bar.

TYPE GXP1828RF

SUPER-CLAMP™

**Raised Floor / Rebar
Ground Connector**

Raised Floor Pedestal Ground Connector. The GXP1828RF is a versatile, easy to install, range taking ground connector. This grounding clamp accepts a wide range of pedestals and conductors. Accepted pedestal range is 3/4" through 2" (7/8 - 2" round; 3/4" - 1-1/2" square). The wire range is #6 solid to 4/0 stranded. The wires can be arranged in a parallel or cross grid configuration - accepts 1 or 2 wires.

UL Listed for the US and Canadian markets (cULus). The high copper alloy body ensures excellent conductivity and the hardware is made of stainless steel. The connector is also rated for Direct Burial. The versatility of the connector makes it an excellent choice for applications requiring multiple conductor sizes and/or configurations.

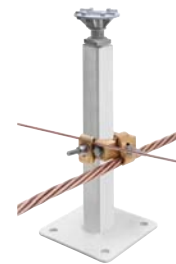


Features & Benefits

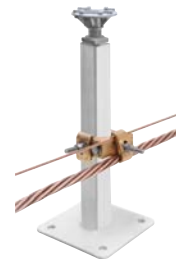
- Fits a wide range of raised floor pedestals, from 3/4" to 2" (7/8 - 2" round; 3/4" - 1-1/2" square)
- Accepts a wide range of wire sizes, from #6 solid to 4/0 stranded
- Can be used for rebar sizes ranging from #7 - #12 size (7/8" - 1-1/2" Dia.)
- Accommodates parallel wires or cross grid arrangements; wires can be installed in cross grid configuration
- Accepts one or two wires in any configuration
- Easy to install - open design eliminates need to disassemble before installing
- One socket size fits all hardware! (1/2" socket size)
- Made of high copper alloy
- Stainless steel hardware
- UL Listed for the US and Canadian markets (cULus)
- Rated for Direct Burial



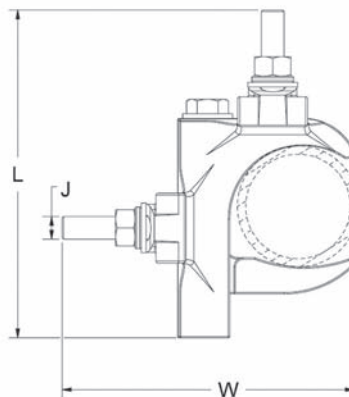
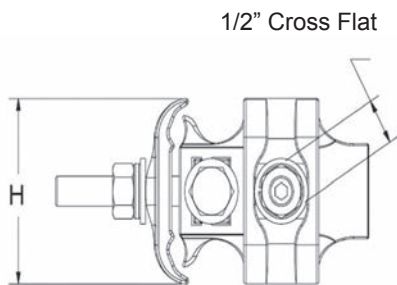
Rebar Connection



Cross Grid Configuration



Parallel Configuration



Catalog Number	Copper Conductor Range (Concentric & Compact Stranded 19 Str. Max)	Pedestal Range	Rebar	Reference Dimensions				Recommended Tightening Torque (in-lb.)	
				L	W	H	J	Conductor Saddle (Nut)	Pedestal Clamp or Rebar (Bolt)
GXP1828RF	6 AWG - 4/0 AWG	Round: 7/8" - 2" Square: 3/4" - 1-1/2"	Rebar Size: 7/8" - 1-1/2" (#7 - #12)	4.53	3.94	1.96	5/16	120	180

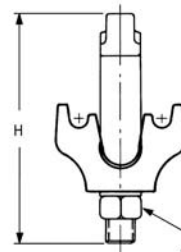
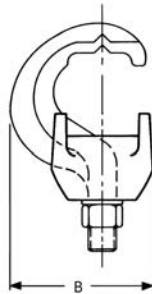
TYPE GRF

UNIGROUND™

UNIGROUND™ Raised Floor Grounding Connector

The BURNDY® UNIGROUND™ is a universal grounding clamp, specifically designed for all raised flooring systems. It can be installed on round or square pedestals and can accommodate one or two grounding wires to make an efficient grid. The underfloor signal reference grid provides the low impedance ground path that attenuates high frequency static and 60 Hz transient noise for cleaner data output. UL467 Listed.

E-76



Features & Benefits

- One connector fits all applications
- Ease of specification and installation
- Single bolt design
 - Ease of installation:
 - No need to disassemble
 - Single wrench installation
- Accepts 1 or 2 ground conductors
- Requires less connectors to install signal reference grid
- Tin plated cast bronze construction
- Resists corrosion and provides extended life ground connection
- Grounds all pedestals (round or square). Will handle up to 7/8" square and 1" round
- Ease of installation. One connector does it all
- Serves 3 needs:
 1. Signal Reference Grid
 2. Static Ground
 3. Fault Current Ground
- UNIGROUND™ solves all possible grounding problems found in computer applications today

Catalog Number	Number of Conductors	Conductor Size Sol. & Str.	Pedestal Type		B	H	J	W
			Round	Square				
GRF4C-3	1 or 2	#8 - #2	Up to 1"	Up to 7/8"	1.96	3.14	3/8	1.76
GRF4C-4	1 or 2	#8 - #2	Up to 3/4"	Up to 5/8"	1.79	3.13	3/8	1.40

TYPES GP-G1, GP-RT

**Raised Floor Grounding
Clamps**

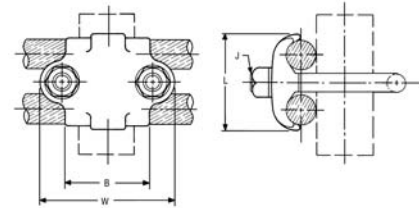
High copper alloy ground connector for raised floor computer grounding applications. These connectors can be installed on round and square pedestal applications and will accommodate one or two grounding wires to make an efficient grid. The underfloor signal reference grid provides the low impedance ground path that attenuates high frequency static and 60 Hz transient noise for cleaner data output. UL467 Listed.

In addition we offer the GP1726RT, which is specifically designed for penetrating epoxy paint on pedestals. This patented connector offers a low impedance, time saving connection between conductors and the pedestal.



Features & Benefits

- Accepts 1 or 2 Ground Conductors
- Requires less connectors to install signal reference grid
- Made of copper alloy
- DURIMUM™ U-Bolts, nuts and lockwashers
- Provides a low impedance ground path for maximum performance
- Grounds all pedestals (round or square)
- Will handle from 3/4" to 1" round or square
- Ease of installation.
- Serves 3 needs :
 1. Signal Reference Grid
 2. Static Ground
 3. Fault Current Ground
- Connectors solve all possible grounding problems found in computer applications today



E-77

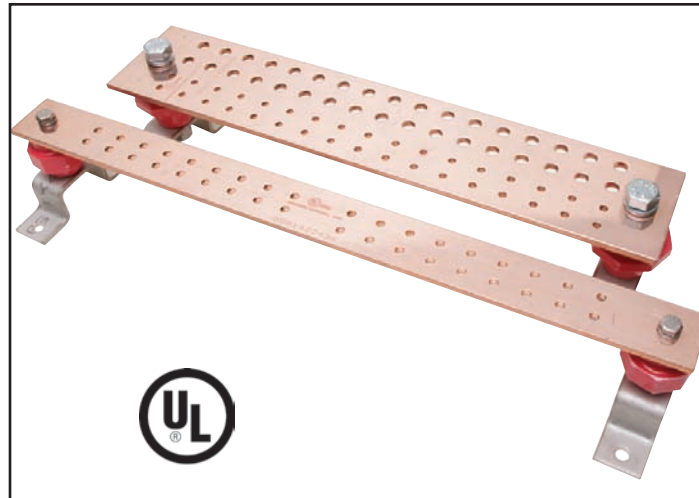
Catalog Number	Number of Conductors	Conductor Size Sol. & Str.	Pedestal Size/ Type	B	J	L	W
GP654CG1	1 or 2	#8 Sol. - 4 Str.	3/4" - 1" Round 3/4" - 7/8" Square	1.50	3/8	1.31	2.38
GP64526G1	1 or 2	#4 Sol. - 2/0 Str.		1.50	3/8	1.69	2.38
GP64528G1	1 or 2	#4 Sol. - 4/0 Str.		1.50	3/8	1.69	2.38
GP1526G1	1 or 2	#4 Sol. - 2/0 Str.	1-1/4" Round	1.75	3/8	1.69	2.62
GP1726RT	1 or 2	#6 Sol. - 2/0 Str.	2" Round	2.12	3/8	1.50	3.22
GP1726G1	1 or 2	#6 Sol. - 2/0 Str.	2" Round	2.12	3/8	1.50	3.22

TYPE BBB

BURNDY® Bus Bar

Copper Bus Bar

Bare copper BusBar, UL Listed for grounding. Available in many sizes and hole patterns. Brackets and insulators included with most styles. Also available in undrilled, horizontal and vertical versions. BusBar is used in a variety of applications. Can be used as a common ground point and "power" applications as well.



E-78

Catalog Number	Fig No.	Insulator & Bracket	T - Bar Thickness	W - Bar Width	L - Bar Length	E1	E2	E3	F1	F2	No. of Holes	K
BBB-14210A	1	0.63	1/4"	2 in	10"	0.63	—	—	1.00	—	16	0.28
BBB-14224B	2	0.62	1/4"	2 in	24"	0.62	0.75	—	1.00	1.00	36	0.28
BBB-14410C	3	0.75	1/4"	4 in	10"	0.75	1.00	—	1.25	—	22	0.44
BBB-14410D	4	1.25	1/4"	4 in	10"	1.25	1.00	—	1.13	1.13	22	0.44
BBB-14412E	5	0.75	1/4"	4 in	12"	0.75	1.00	—	2.00	1.25	18	0.44
BBB-14412F	6	1.00	1/4"	4 in	12"	1.00	0.75	—	2.00	1.25	24	0.44
BBB-14416G	7	0.75	1/4"	4 in	16"	0.75	1.00	—	1.69	—	24	0.44
BBB-14416H	8	1.00	1/4"	4 in	16"	1.00	1.00	0.75	1.69	—	32	0.44
BBB-14420J	9	1.00	1/4"	4 in	20"	1.00	1.00	0.75	1.00	—	68	0.44
BBB412UD	—	N/A	1/4"	4 in	12"	N/A	N/A	N/A	N/A	N/A	0	—
BBB-424-UD	—	N/A	1/4"	4 in	24"	N/A	N/A	N/A	N/A	N/A	0	—
BBB-HR19	—	0.38	3/16"	3/4 in	19"	0.38	—	—	—	—	8	—
BBB-VR36	—	0.32	1/4"	5/8 in	36"	0.32	—	—	—	—	16	—

* Contact factory for custom sizes.

NOTE:

For separately ordering Insulator & Brackets use catalog number **B38723000**.

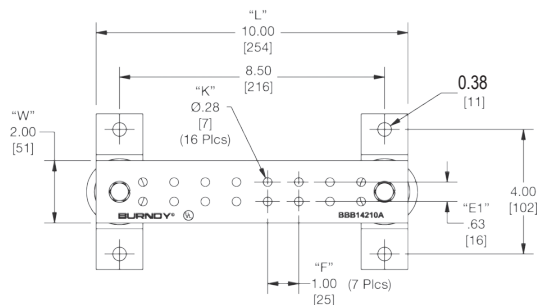


Figure 1

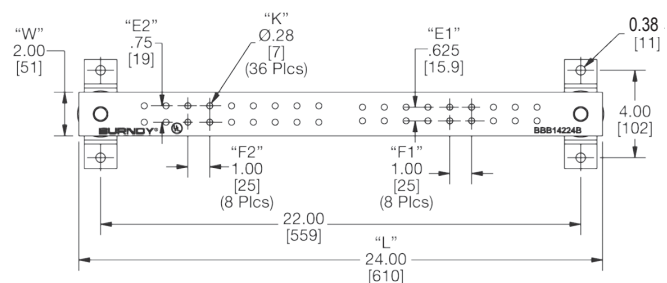


Figure 2

TYPE BBB

BURNDY® Bus Bar

Copper Bus Bar (Continued)

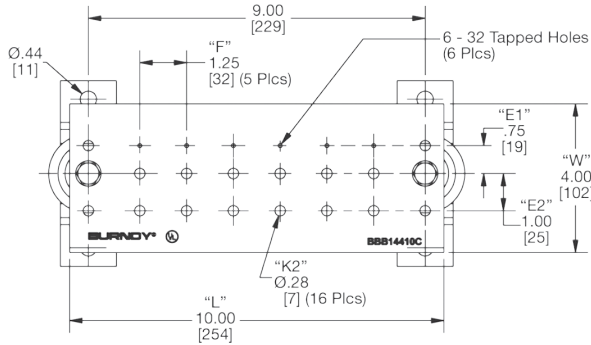


Figure 3

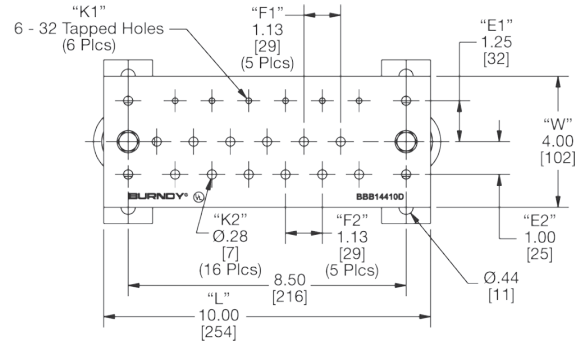


Figure 4

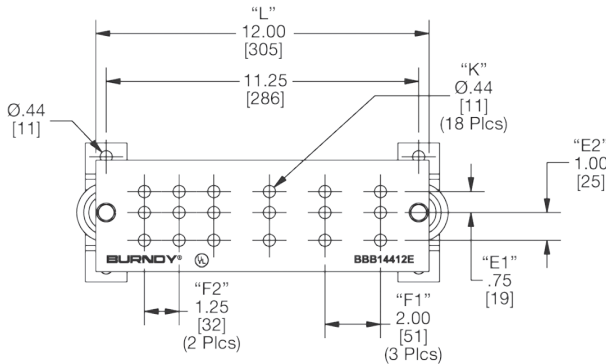


Figure 5

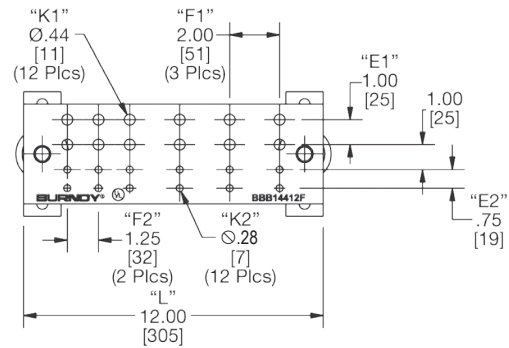


Figure 6

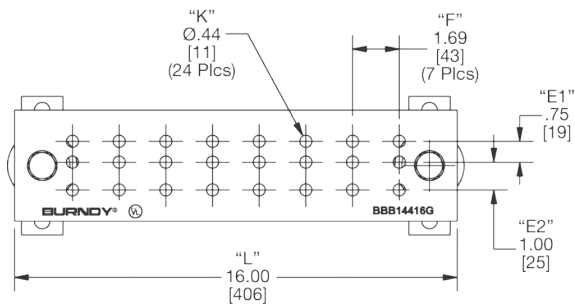


Figure 7

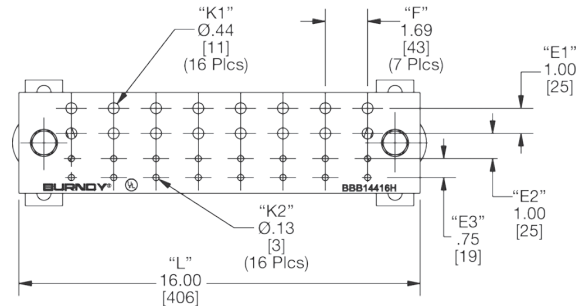


Figure 8

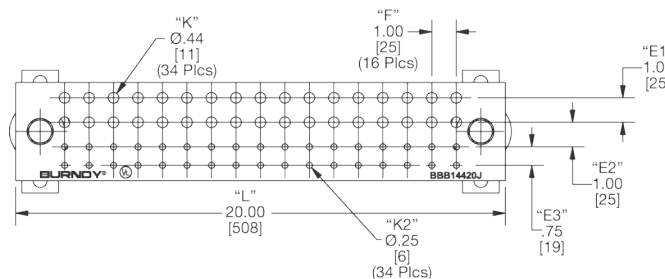


Figure 9

E-79

BWB680 Series

BURNDY® Pool Water Bonding Kit

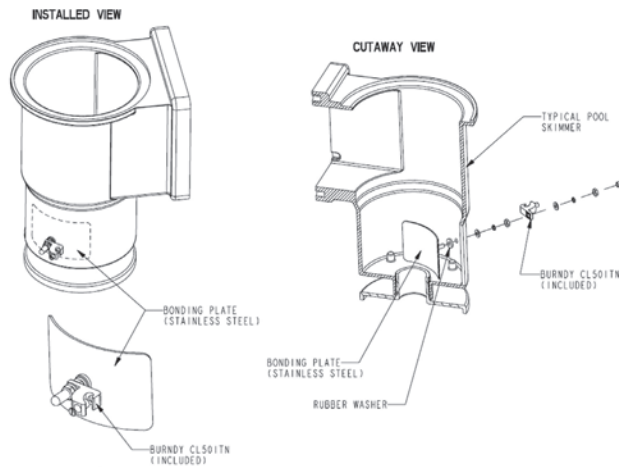
NEC 680.26(C) states: "An intentional bond of minimum conductive surface area of 9" shall be installed in contact with the pool water. This bond shall be permitted to consist of parts that are required to be bonded in 680.26(B)".

E-80

In order to comply with this requirement BURNDY is offering the BWB680 Series. Made of non-corrosive stainless steel, the BURNDY water bonding kit maintains constant contact with pool water to ensure that the pool is effectively bonded at all times.

BURNDY BWB680 Series is one of the few and the most user friendly, products on the market that complies with this code. Other products are placed in the plumbing, which is not always in contact with the water and therefore does not meet the code. Since the BWB680 Series is placed in the skimmer, it is always in contact with the water.

Included in the BURNDY BWB680 Series Bonding Kit: One (1) bonding plate; one (1) rubber sealing washer; two (2) flat washers; two (2) lock washers; two (2) nuts; and one (1) BURNDY CL501-TN



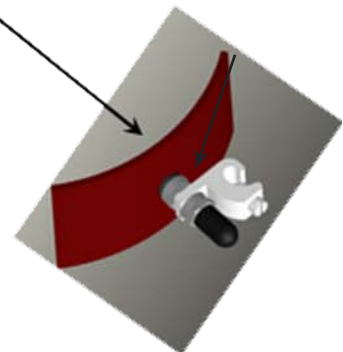
Features & Benefits

- Easy installation
- Mounting hardware included
- UL Listed
- Placed out of the way on the side wall of the skimmer below the basket

Catalog Number	Pool Type
BWB680AG	Above Ground
BWB680IG	In-Ground



Bonding wire goes here



BURNDYWeld®

The BURNDYWeld® connection process is a simple, efficient method of welding copper to copper or copper to steel. One advantage is that NO outside power is required when using the BURNDYWeld® exothermic process. The BURNDYWeld® process uses high temperature reaction of powdered copper oxide and aluminum. The reaction takes place in a semi-permanent graphite mold. These molds will last for fifty or more welds if proper care is given. The reaction takes place very rapidly, therefore the total amount of heat applied to the conductors or surfaces is considerably less than that of brazing or soldering. It is important to remember this when welding to insulated cable or thin wall pipe.

This system is very field friendly, since it is light and portable and requires no outside power source. It requires very little time or skill to obtain an efficient, maintenance free connection when using the BURNDYWeld® process.

For more information, visit our website at: www.burndy.com.

The BURNDYWeld® process has been used to weld materials other than copper for electrical purposes. Materials welded include:

- Stainless Steel
- Copperweld®
- Nichrome V
- Galvanized Steel
- Silicon Bronze
- Copper Clad Steel
- Columbium
- Plain Steel
- Everdur®
- Kama
- Stell Rail
- Cor-Ten®
- Brass
- Bronze
- Niobium
- Chromax
- Cast Iron
- Monel

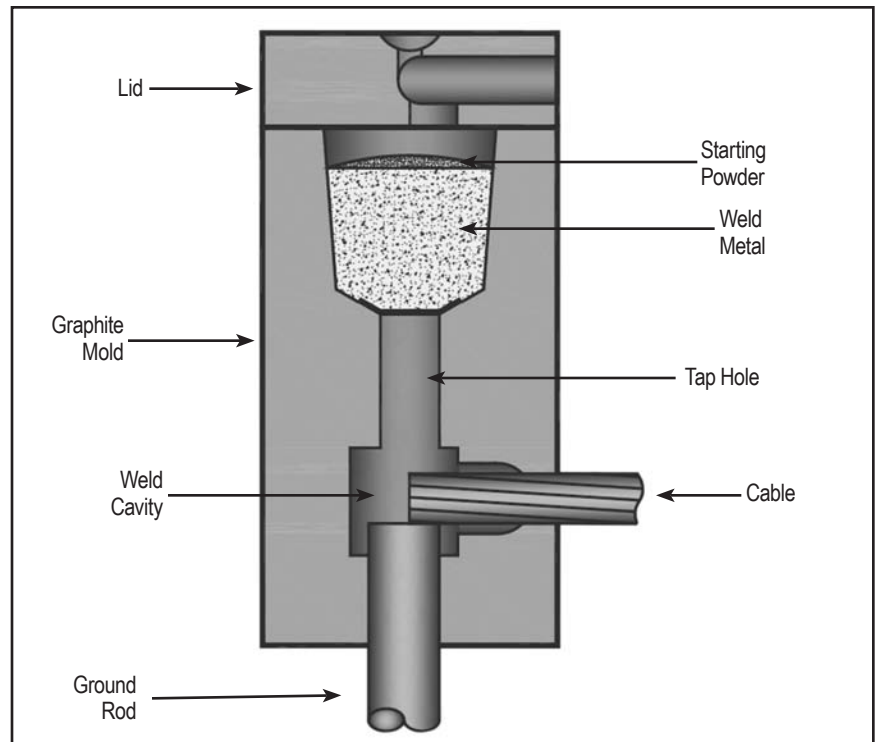
When welding to galvanized steel it is recommended to resurface exposed bare steel.



E-81

The BURNDYWeld® connection is a molecular weld. The weld metal has the same melting point as copper. These factors along with the increased cross section of the connection, BURNDYWeld® connections:

1. Will not be affected by a high current surge. Tests have shown that the electrical conductor will melt before the BURNDYWeld® connection when subjected to high short circuit current. Consult IEEE Standard 837-1989.
2. Will not loosen or corrode at the point of weld. There are no contact surfaces or mechanical pressures involved. A BURNDYWeld® connection becomes an integral part of the conductor.
3. Have a current-carrying capacity equal to or greater than that of the conductors.



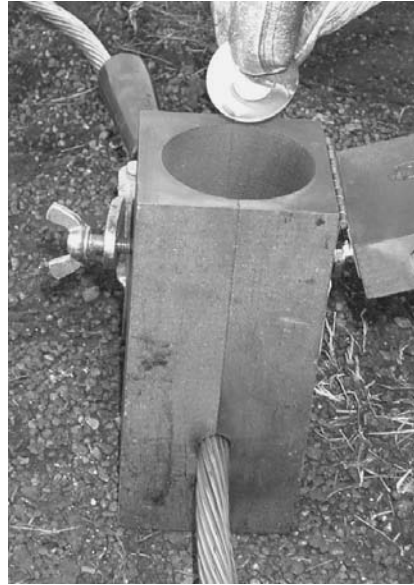
Making a BURNDYWeld® Connection

E-82



Step 1

Position cleaned conductors in mold after make sure mold is dry, by pre-heating or making a test joint.



Step 2

Place metal disc in bottom of mold crucible.



Step 3

Dump powder into crucible, being careful not to loosen all the starting powder.



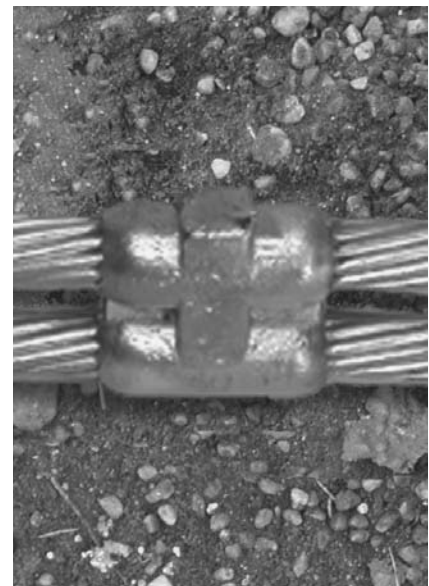
Step 4

Close lid and place a small amount of starting powder in the ignition pocket.



Step 5

Ignite the starting powder with the Flint Ignitor.



Step 6

Wait 15 seconds, then remove weld and clean mold before making next connection.

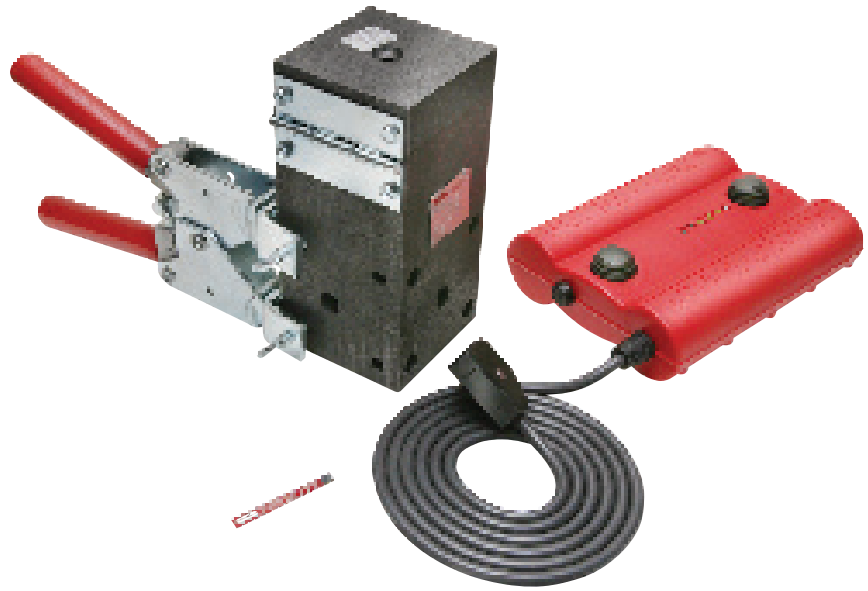
**BURNDYWeld®
QIKLITE®**

BURNDYWeld® Weld Metal

Battery Ignition System

The self-contained unit offers a built-in battery life indicator, 6' ignitor cord and separate buttons for power and ignition. Also, no starting powder is used with this system so emissions are greatly reduced. QIKLITE® works with "off-the-shelf" molds and weld metal, so contractors and installers can continue to use the same quality BURNDYWeld® products.

Since the unit operates with standard weld metal and molds, installers also have the option of using a traditional flint ignitor or the new QIKLITE® system. Another feature is the speed of ignition, with virtually no delay between depressing the "push to operate" button and ignition of the weld metal. This instant ignition feature offers quick reassurance to the installer, without the delay.



E-83

Features & Benefits

- The QIKLITE® system allows installers to make exothermic connections remotely
- Uses standard exothermic molds and weld metal
- Use the new BURNDYWeld® QIKLITE® system or use a flint ignitor, this versatility makes this system better than anything available in the industry
- Installers have virtually 100% confidence that the connection can be completed with no wasted material or weld metal shots
- No starting material required - which greatly reduces the amount of emissions generated
- Power is supplied by 4 standard "D" Size batteries
- Built-in battery life indicator
- There's virtually no delay in ignition after depressing the "push to operate" button
- Separate ON/OFF and Operate buttons
- Comes complete with durable 6' heat resistant cord
- Durable, long-lasting design
- QIKSTIK ignitor sticks are conveniently packaged and available separately or available packaged complete with standard weld metal

Catalog Number Standard Cartridge Size with Ignitor	Cartridges/ Ignitors Per Box
15Q	20
25Q	20
32Q	10
45Q	20
65Q	20
90Q	10
115Q	10
150Q	10
200Q	10
250Q	10
500Q	10
QIKSTIK*	10

* Ignitor stick only.

Catalog Number	Description
QIKLITE	Battery Ignition System
QIKLITEKIT	QIKLITE® Battery Ignition System and 20 QIKSTIK Ignitor Sticks

BURNDYWeld® WELD METAL

BURNDYWeld® Weld Metal is packed in moisture-resistant plastic cartridges that have tight fitting caps. These cartridges, along with the necessary steel discs, are then packed in boxes that are hermetically sealed. This ensures the powder arriving in good condition, always dry and ready for fast positive ignition. BURNDYWeld® Weld Metal comes in several types; one for welding copper to copper, copper to steel, copper to cast iron and one for welding copper to steel for cathodic protection. The size and weight (in grams) of the cartridge are marked on each individual cartridge.

Weld metal and steel discs are sold only in standard box quantities.



E-84

Features & Benefits

- Packed in moisture-resistant plastic cartridges that have tight fitting caps. These cartridges, along with the necessary steel discs, are then packed in boxes that are hermetically sealed. This ensures the powder arriving in good condition, always dry and ready for fast positive ignition.

Catalog Number	Description	Cartridges Per Box
15CP	Cathodic Protection Cartridge	20
25CP	Cathodic Protection Cartridge	20
32CP	Cathodic Protection Cartridge	10
45CP	Cathodic Protection Cartridge	20
65CP	Cathodic Protection Cartridge	20

Weld Metal Size	Catalog Number Steel Discs Only	Package Quantity
15 to 65	B370320-01	20
90 to 115	B370320-02	10
150 to 500	B370320-03	10

Catalog Number *	Description	Cartridges Per Box
15	Standard Cartridge	20
25	Standard Cartridge	20
32	Standard Cartridge	10
45	Standard Cartridge	20
65	Standard Cartridge	20
90	Standard Cartridge	10
115	Standard Cartridge	10
150	Standard Cartridge	10
200	Standard Cartridge	10
250	Standard Cartridge	10
500	Standard Cartridge	10

* Add Q to suffix to include Qikstik

Catalog Number	Description	Cartridges Per Box
15CI	Cast Iron Cartridge	20
25CI	Cast Iron Cartridge	20
32CI	Cast Iron Cartridge	10
45CI	Cast Iron Cartridge	20
65CI	Cast Iron Cartridge	20
90CI	Cast Iron Cartridge	10
115CI	Cast Iron Cartridge	10

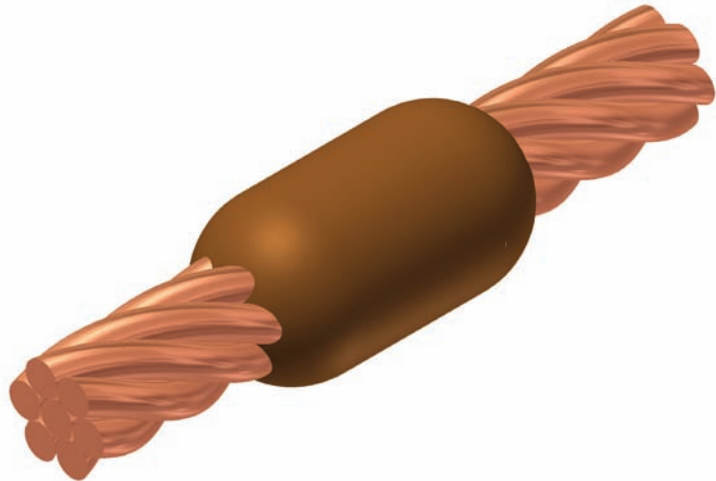
TYPE BCC-1 MOLDS

Horizontal End to End

BCC-1 Type Molds are used for horizontal end to end cable connections.

Size range is #6 through 1000 kcmil solid or concentric stranded copper conductors.

Contact BURNDY® for information on molds for conductors not listed below.



E-85

Cable		Mold Number	Price Key	Weld Metal	Handle Clamps
Run	Tap				
#4	#4	B-5623	18 ①	25	Incl.
#3	#3	B-5624	18 ①	32	Incl.
#2	#2	B-5625	18 ①	32	Incl.
#1	#1	B-5626	18 ①	32	Incl.
1/0	1/0	B-205	4	45	B-106
2/0	2/0	B-206	4	65	B-106
3/0	3/0	B-207	4	90	B-106
4/0	4/0	B-208	4	90	B-106
250 kcmil	250 kcmil	B-209	4	115	B-106
300 kcmil	300 kcmil	B-210	4	115	B-106
350 kcmil	350 kcmil	B-211	4	150	B-106
500 kcmil	500 kcmil	B-213	4	200	B-107
750 kcmil	750 kcmil	B-214	5	2-150	B-107
1000 kcmil	1000 kcmil	B-215	5	2-200	B-107

① B38-0309-00 Flint ignitor included

NOTES:

- For sizes not listed, contact BURNDY®
- Molds listed are for concentric stranded cable; add suffix "-S" to mold number for solid conductors
- For heavy duty molds, molds with wear plates or molds for Copperweld® cable, contact BURNDY®
- For expedited service, contact BURNDY®

Required Tools:

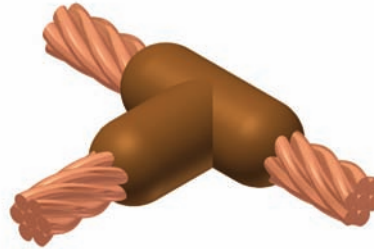
Handle Clamps - see chart for correct handle catalog number

Recommended Accessories:

- B38-0309-00 Flint Ignitor
- B38-3922-00 Mold Cleaning Brush
- B38-0135-00 Cable Cleaning Brush
- B38-0330-00 Cable Clamp

TYPE BCC-2 MOLDS

Horizontal Cable Tap to Horizontal Cable Run



Type BCC-2 Molds are used to join horizontal cable tap to a horizontal run cable. Size range is #6 through 750 kcmil solid or concentric stranded copper conductors. Contact BURNDY® for information on molds for conductors not listed below.

NOTES:

- For sizes not listed, contact BURNDY®
- Molds listed are for concentric stranded cable; add suffix "-S" to mold number for solid conductors
- For heavy duty molds, molds with wear plates or molds for Copperweld® cable, contact BURNDY®
- For expedited service, contact BURNDY®

Required Tools:

Handle Clamps - see chart for correct handle catalog number

Recommended Accessories:

B38-0309-00 Flint Ignitor; **B38-3922-00** Mold Cleaning Brush; **B38-0135-00** Cable Cleaning Brush; **B38-0330-00** Cable Clamp

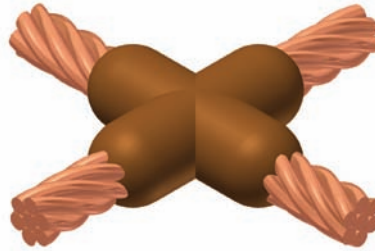
E-86

Cable		Mold Number	Price Key	Weld Metal	Handle Clamps
Run	Tap				
#4	#4	B-221	4	32	B-106
#2	#2	B-223	4	45	B-106
	#4	B-224	4	45	B-106
#1	#1	B-225	4	45	B-106
	#2	B-226	4	45	B-106
	#4	B-227	4	45	B-106
1/0	1/0	B-228	4	90	B-106
	#1	B-229	4	45	B-106
	#2	B-230	4	45	B-106
	#4	B-231	4	45	B-106
2/0	2/0	B-232	4	90	B-106
	1/0	B-333	4	90	B-106
	#1	B-234	4	45	B-106
	#2	B-235	4	45	B-106
	#4	B-5475	4	45	B-106
3/0	3/0	B-236	4	115	B-106
	2/0	B-237	4	90	B-106
	1/0	B-238	4	90	B-106
	#1	B-239	4	45	B-106
	#2	B-240	4	45	B-106
4/0	#4	B-5574	4	45	B-106
	4/0	B-241	4	150	B-106
	3/0	B-242	4	115	B-106
	2/0	B-243	4	90	B-106
	1/0	B-244	4	90	B-106
	#1	B-245	4	90	B-106
	#2	B-246	4	90	B-106
	#4	B-5021	4	90	B-106
250 kcmil	250 kcmil	B-247	4	150	B-106
	4/0	B-248	4	150	B-106
	3/0	B-249	4	150	B-106
	2/0	B-250	4	90	B-106
	1/0	B-251	4	90	B-106
	#1	B-252	4	90	B-106
	#2	B-253	4	90	B-106

Cable		Mold Number	Price Key	Weld Metal	Handle Clamps
Run	Tap				
300 kcmil	300 kcmil	B-254	4	200	B-106
	250 kcmil	B-255	4	150	B-106
	4/0	B-256	4	150	B-106
	3/0	B-257	4	150	B-106
	2/0	B-258	4	90	B-106
	1/0	B-259	4	90	B-106
	#1	B-260	4	90	B-106
	#2	B-261	4	90	B-106
350 kcmil	350 kcmil	B-262	4	200	B-106
	300 kcmil	B-263	4	200	B-106
	250 kcmil	B-264	4	200	B-106
	4/0	B-265	4	150	B-106
	3/0	B-266	4	150	B-106
	2/0	B-267	4	90	B-106
	1/0	B-268	4	90	B-106
	#1	B-269	4	90	B-106
	#2	B-270	4	90	B-106
500 kcmil	500 kcmil	B-280	4	2-150	B-106
	350 kcmil	B-282	4	200	B-106
	300 kcmil	B-283	4	200	B-106
	250 kcmil	B-284	4	200	B-106
	4/0	B-285	4	150	B-106
	2/0	B-286	4	90	B-106
	1/0	B-287	4	90	B-106
	#1	B-288	4	90	B-106
	#2	B-289	4	90	B-106
750 kcmil	750 kcmil	B-290	5	500	B-107
	500 kcmil	B-291	5	2-200	B-107
	350 kcmil	B-293	4	250	B-106
	300 kcmil	B-294	4	200	B-106
	250 kcmil	B-295	4	200	B-106
	4/0	B-296	4	150	B-106
	2/0	B-297	4	150	B-106
	1/0	B-298	4	150	B-106

TYPE BCC-4 MOLDS

**Horizontal to Horizontal
Cable Cross**



Type BCC-4 Molds are used to join two horizontal cables at right angles. One cable is cut and the other is a through run. Size range is #6 through 500 kcmil solid or concentric stranded copper conductors. Contact BURNDY® for information on molds for conductors not listed below.

NOTES:

- For sizes not listed, contact BURNDY®
- Molds listed are for concentric stranded cable; add suffix "-S" to mold number for solid conductors
- For heavy duty molds, molds with wear plates or molds for Copperweld® cable, contact BURNDY®
- For expedited service, contact BURNDY®

Required Tools:

Handle Clamps - see chart for correct handle catalog number

Recommended Accessories:

B38-0309-00 Flint Ignitor; **B38-3922-00** Mold Cleaning Brush; **B38-0135-00** Cable Cleaning Brush; **B38-0330-00** Cable Clamp

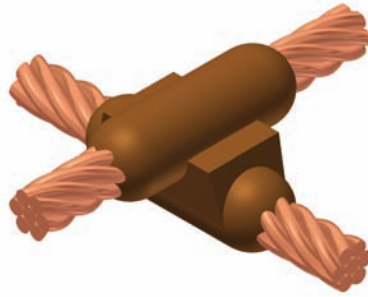
E-87

Cable		Mold Number	Price Key	Weld Metal	Handle Clamps
Run	Tap				
#4	#4	B-423	4	45	B-106
#3	#3	B-424	4	45	B-106
#2	#2	B-425	4	65	B-106
	#4	B-426	4	65	B-106
#1	#1	B-427	4	65	B-106
	#2	B-428	4	65	B-106
	#4	B-429	4	65	B-106
1/0	1/0	B-430	4	90	B-106
	#1	B-431	4	90	B-106
	#2	B-432	4	90	B-106
2/0	#4	B-433	4	90	B-106
	2/0	B-434	4	115	B-106
	1/0	B-435	4	115	B-106
3/0	#1	B-436	4	115	B-106
	#2	B-437	4	115	B-106
	3/0	B-438	4	150	B-106
4/0	2/0	B-439	4	150	B-106
	1/0	B-440	4	115	B-106
	#1	B-441	4	115	B-106
	#2	B-442	4	115	B-106
250 kcmil	4/0	B-443	4	200	B-106
	3/0	B-444	4	200	B-106
	2/0	B-445	4	150	B-106
	1/0	B-446	4	150	B-106
	#1	B-447	4	115	B-106
	#2	B-448	4	115	B-106
250 kcmil	250 kcmil	B-449	4	200	B-106
	4/0	B-450	4	200	B-106
	3/0	B-451	4	200	B-106
	2/0	B-452	4	150	B-106
250 kcmil	1/0	B-453	4	150	B-106
	#1	B-454	4	115	B-106
	#2	B-455	4	115	B-106

Cable		Mold Number	Price Key	Weld Metal	Handle Clamps
Run	Tap				
300 kcmil	300 kcmil	B-456	4	250	B-106
	250 kcmil	B-457	4	250	B-106
	4/0	B-458	4	200	B-106
	3/0	B-459	4	200	B-106
	2/0	B-460	4	150	B-106
	1/0	B-461	4	150	B-106
	#1	B-462	4	115	B-106
	#2	B-463	4	115	B-106
350 kcmil	350 kcmil	B-464	4	250	B-106
	300 kcmil	B-465	4	250	B-106
	250 kcmil	B-466	4	250	B-106
	4/0	B-467	4	200	B-106
	3/0	B-468	4	200	B-106
	2/0	B-469	4	200	B-106
	1/0	B-470	4	200	B-106
	#1	B-471	4	150	B-106
500 kcmil	#2	B-472	4	150	B-106
	500 kcmil	B-483	5	500	B-107
	350 kcmil	B-485	5	2-200	B-107
	300 kcmil	B-486	5	2-200	B-107
	250 kcmil	B-487	5	2-150	B-107
	4/0	B-488	5	2-150	B-107
	3/0	B-489	5	2-150	B-107
	2/0	B-490	4	250	B-106
	1/0	B-491	4	250	B-106
	#1	B-492	4	200	B-106
#2	B-493	4	200	B-106	

TYPE BCC-11 MOLDS

Horizontal to Horizontal Cable Cross



Type BCC-11 Molds are used to join uncut horizontal cables at right angles to each other. Size range is #6 through 500 kcmil solid or concentric stranded copper conductors. Contact BURNDY® for information on molds for conductors not listed below.

NOTES:

- For sizes not listed, contact BURNDY®
- Molds listed are for concentric stranded cable; add suffix "-S" to mold number for solid conductors
- For heavy duty molds, molds with wear plates or molds for Copperweld® cable, contact BURNDY®
- For expedited service, contact BURNDY®

Required Tools:

Handle Clamps - see chart for correct handle catalog number

Recommended Accessories:

B38-0309-00 Flint Ignitor; **B38-3922-00** Mold Cleaning Brush; **B38-0135-00** Cable Cleaning Brush; **B38-0330-00** Cable Clamp

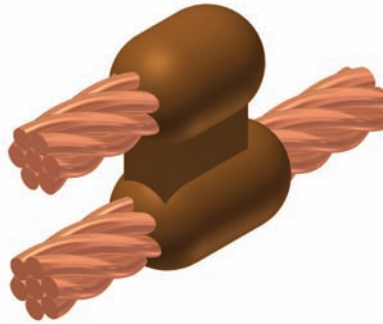
E-88

Cable		Mold Number	Price Key	Weld Metal	Handle Clamps
Run	Tap				
#6	#6	B-5432	19	45	Incl.
#4	#4	B-2687	4	65	B-106
#2	#2	B-2689	4	90	B-106
	#4	B-2690	4	65	B-106
#1	#1	B-2691	4	115	B-106
	#2	B-2692	4	90	B-106
	#4	B-2693	4	90	B-106
1/0	1/0	B-2694	22	150	B-106
	#1	B-2695	22	150	B-106
	#2	B-2696	22	115	B-106
	#4	B-2697	22	115	B-106
2/0	2/0	B-2698	22	200	B-106
	1/0	B-2699	22	200	B-106
	#1	B-2700	22	150	B-106
	#2	B-2701	22	150	B-106
3/0	3/0	B-2702	22	250	B-106
	2/0	B-2703	22	200	B-106
	1/0	B-2704	22	200	B-106
	#1	B-2705	22	150	B-106
	#2	B-2706	22	150	B-106
4/0	4/0	B-2707	22	250	B-106
	3/0	B-2708	22	250	B-106
	2/0	B-2709	22	200	B-106
	1/0	B-2710	22	200	B-106
	#1	B-2711	22	150	B-106
	#2	B-2712	22	150	B-106

Cable		Mold Number	Price Key	Weld Metal	Handle Clamps
Run	Tap				
250 kcmil	250 kcmil	B-2713	22	2-150	B-106
	4/0	B-2714	22	2-150	B-106
	3/0	B-2715	22	2-150	B-106
	2/0	B-2716	22	250	B-106
	1/0	B-2717	22	150	B-106
	#1	B-2718	22	200	B-106
	#2	B-2719	22	150	B-106
500 kcmil	500 kcmil	B-2747	23	3-250	B-107
	250 kcmil	B-2751	23	500	B-107
	4/0	B-2752	23	500	B-107
	3/0	B-2753	23	500	B-107
	2/0	B-2754	23	2-200	B-107
	1/0	B-2755	22	2-150	B-106
	#1	B-2756	22	250	B-106
	#2	B-2757	22	250	B-106

TYPE BCC-6 MOLDS

Horizontal Parallel Tap



BCC-6 Type Molds are used to join horizontal parallel tap to run connections. The tap cable is over the run cable. Size range is #6 through 4/0 solid or concentric stranded copper conductors. Contact BURNDY® for information on molds for conductors not listed below.

NOTES:

- For sizes not listed, contact BURNDY®
- Molds listed are for concentric stranded cable; add suffix "-S" to mold number for solid conductors
- For heavy duty molds, molds with wear plates or molds for Copperweld® cable, contact BURNDY®
- For expedited service, contact BURNDY®

Required Tools:

Handle Clamps - see chart for correct handle catalog number

Recommended Accessories:

B38-0309-00 Flint Ignitor; B38-3922-00 Mold Cleaning Brush; B38-0135-00 Cable Cleaning Brush; B38-0330-00 Cable Clamp

Cable		Mold Number	Price Key	Weld Metal	Handle Clamps
Run	Tap				
#6 Sol	#6 Sol	B-1270	4	25	B-106
#6	#6	B-1271	4	25	B-106
#4	#4	B-1272	4	32	B-106
	#6	B-1273	4	32	B-106
	#6 Sol	B-1274	4	32	B-106
	#8 Sol	B-1275	4	32	B-106
#2	#2	B-1276	4	65	B-106
	#4	B-1277	4	45	B-106
	#6	B-1278	4	32	B-106
	#6 Sol	B-1279	4	32	B-106
#1	#8 Sol	B-1280	4	32	B-106
	#1	B-1281	4	65	B-106
	#2	B-1282	4	65	B-106
	#4	B-1283	4	45	B-106
	#6	B-1284	4	45	B-106
	#6 Sol	B-1285	4	45	B-106
1/0	#8 Sol	B-1286	4	45	B-106
	1/0	B-1287	4	90	B-106
	#1	B-1288	4	90	B-106
	#2	B-1289	4	65	B-106
	#4	B-1290	4	65	B-106
	#6	B-1291	4	45	B-106
	#6 Sol	B-1292	4	45	B-106
	#8 Sol	B-1293	4	45	B-106

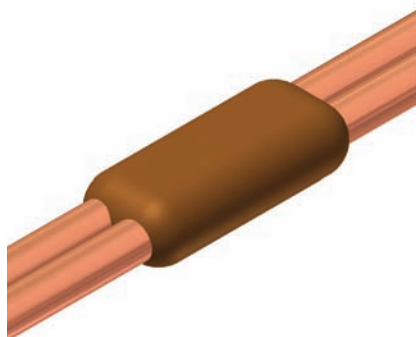
Cable		Mold Number	Price Key	Weld Metal	Handle Clamps
Run	Tap				
2/0	2/0	B-1294	4	115	B-106
	1/0	B-1295	4	115	B-106
	#1	B-1296	4	90	B-106
	#2	B-1297	4	90	B-106
	#4	B-1298	4	65	B-106
	#6	B-1299	4	65	B-106
	#6 Sol	B-1300	4	65	B-106
	#8 Sol	B-1301	4	65	B-106
4/0	4/0	B-1302	4	150	B-106
	2/0	B-1303	4	115	B-106
	1/0	B-1304	4	115	B-106
	#1	B-1305	4	115	B-106
	#2	B-1306	4	115	B-106
	#4	B-1307	4	90	B-106
	#6	B-1308	4	90	B-106
	#6 Sol	B-1309	4	90	B-106
	#8 Sol	B-1310	4	90	B-106

E-89

TYPE BCC-14 MOLDS

Horizontal Parallel through Cables

BCC-14 Type Molds are used to join horizontal parallel through run cables. Cables run side by side in the mold. Size range is #8 through #6 solid or concentric stranded copper conductors. Contact BURNDY® for information on molds for conductors not listed.



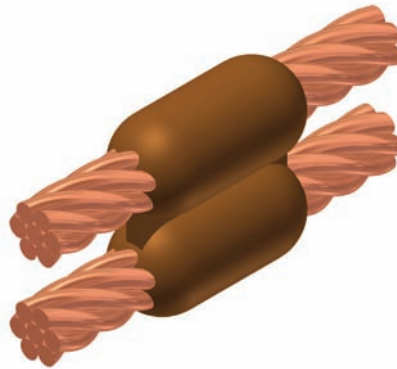
Cable		Mold Number	Price Key	Weld Metal
Run	Tap			
#8	#8	B-5709	18	15
#6	#6	B-5618	18	25

NOTES:

- For sizes not listed, contact BURNDY®
- Molds listed are for concentric stranded cable; add suffix "-S" to mold number for solid conductors
- For heavy duty molds, molds with wear plates or molds for Copperweld® cable, contact BURNDY®
- For expedited service, contact BURNDY®
- Sold complete with handles

TYPE BCC-7 MOLDS

Horizontal Parallel through Cables



BCC-7 Type Molds are used to join horizontal parallel through run cables. One cable runs above the other cable in the mold. Size range is #6 through 4/0 solid or concentric stranded copper conductors. Contact BURNDY® for information on molds for conductors not listed below

NOTES:

- For sizes not listed, contact BURNDY®
- Molds listed are for concentric stranded cable; add suffix "-S" to mold number for solid conductors
- For heavy duty molds, molds with wear plates or molds for Copperweld® cable, contact BURNDY®
- For expedited service, contact BURNDY®

Required Tools:

Handle Clamps - see chart for correct handle catalog number

Recommended Accessories:

B38-0309-00 Flint Ignitor; **B38-3922-00** Mold Cleaning Brush; **B38-0135-00** Cable Cleaning Brush; **B38-0330-00** Cable Clamp

E-90

Cable		Mold Number	Price Key	Weld Metal	Handle Clamps
Run	Tap				
#4	#4	B-1311	4	32	B-106
	#6	B-5627	4	32	B-106
	#6 Sol	B-8882	4	32	B-106
	#8	B-5629	4	32	B-106
	#8 Sol	B-5630	4	32	B-106
#2	#2	B-1313	4	65	B-106
	#4	B-1314	4	65	B-106
	#6	B-5631	4	45	B-106
	#6 Sol	B-5632	4	45	B-106
	#8	B-5634	4	45	B-106
#1	#8 Sol	B-5635	4	45	B-106
	#1	B-1315	4	65	B-106
	#2	B-1316	4	65	B-106
	#4	B-1317	4	65	B-106
	#6	B-5636	4	65	B-106
	#6 Sol	B-5637	4	65	B-106
	#8	B-5638	4	45	B-106
1/0	#8 Sol	B-5639	4	45	B-106
	1/0	B-1318	4	90	B-106
	#1	B-1319	4	65	B-106
	#2	B-1320	4	65	B-106
	#4	B-1321	4	65	B-106
	#6	B-5642	4	65	B-106
	#6 Sol	B-1208	4	65	B-106
	#8	B-5644	4	65	B-106
#8 Sol	B-5645	4	65	B-106	

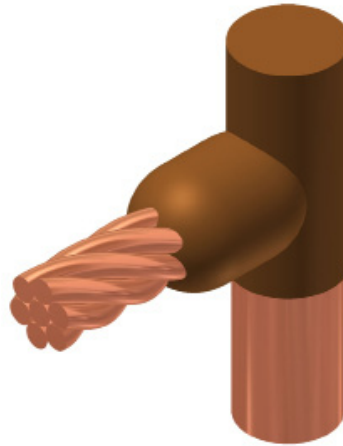
Cable		Mold Number	Price Key	Weld Metal	Handle Clamps
Run	Tap				
2/0	2/0	B-1322	4	115	B-106
	1/0	B-1323	4	115	B-106
	#1	B-1324	4	90	B-106
	#2	B-1325	4	90	B-106
	#4	B-5659	4	90	B-106
	#6	B-5342	4	90	B-106
	#6 Sol	B-5652	4	90	B-106
	#8	B-5668	4	65	B-106
3/0	#8 Sol	B-5943	4	65	B-106
	3/0	B-1326	4	150	B-106
	2/0	B-1327	4	150	B-106
	1/0	B-1328	4	115	B-106
	#1	B-1329	4	115	B-106
	#2	B-1330	4	115	B-106
	#4	B-6046	4	115	B-106
	#6	B-5676	4	90	B-106
	#6 Sol	B-5679	4	90	B-106
	#8	B-5680	4	90	B-106
4/0	#8 Sol	B-5682	4	90	B-106
	4/0	B-1331	4	200	B-106
	3/0	B-1332	4	200	B-106
	2/0	B-1333	4	150	B-106
	1/0	B-1334	4	150	B-106
	#1	B-1335	4	150	B-106
	#2	B-1336	4	150	B-106
	#4	B-5340	4	150	B-106
	#6	B-5684	4	90	B-106
	#6 Sol	B-6552	4	90	B-106
	#8	B-5686	4	90	B-106
	#8 Sol	B-5688	4	90	B-106

TYPE BCR-1 MOLDS

Horizontal Cable Terminal
to Ground Rod



Type BCR-1 Molds are used to terminate horizontal copper cable at the top of a vertical ground rod. Size range is #6 through 1000 kcmil solid or concentric stranded copper conductors; 1/2" through 1" for the ground rod. Contact BURNDY® for information on molds for conductors not listed below.



NOTES:

- For sizes not listed, contact BURNDY®
- Molds listed are for concentric stranded cable; add suffix "-S" to mold number for solid conductors
- For heavy duty molds, molds with wear plates or molds for Copperweld® cable, contact BURNDY®
- For expedited service, contact BURNDY®

Required Tools:

Handle Clamps - see chart for correct handle catalog number

Recommended Accessories:

B38-0309-00 Flint Ignitor; B38-3922-00 Mold Cleaning Brush; B38-0135-00 Cable Cleaning Brush; B38-0330-00 Cable Clamp

E-91

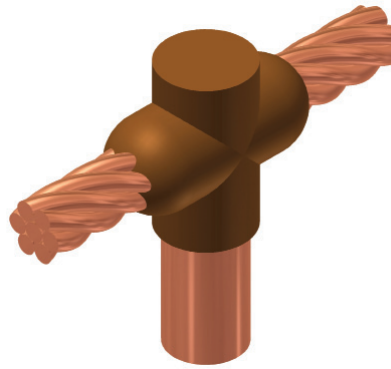
Cable		Mold Number	Price Key	Weld Metal	Handle Clamps
Grd Rod	Tap				
1/2"	#6	B-8402	18 ①	25	Incl.
	#4	B-8403	18 ①	25	Incl.
	#2	B-495	4	65	B-106
	#1	B-496	4	65	B-106
	1/0	B-497	4	90	B-106
	2/0	B-498	4	90	B-106
	3/0	B-499	4	90	B-106
	4/0	B-500	4	90	B-106
	250 kcmil	B-501	4	90	B-106
	300 kcmil	B-502	4	90	B-106
5/8"	#6	B-8414	18 ①	32	Incl.
	#4	B-8415	18 ①	32	Incl.
	#2	B-503	4	65	B-106
	#1	B-504	4	65	B-106
	1/0	B-505	4	90	B-106
	2/0	B-506	4	90	B-106
	3/0	B-507	4	90	B-106
	4/0	B-508	4	90	B-106
	250 kcmil	B-509	4	90	B-106
	300 kcmil	B-510	4	115	B-106
	350 kcmil	B-511	4	115	B-106
	500 kcmil	B-513	4	150	B-106

① B38-0309-00 Flint ignitor included

Cable		Mold Number	Price Key	Weld Metal	Handle Clamps
Grd Rod	Tap				
3/4"	#6	B-8422	18 ①	32	Incl.
	#4	B-8426	19 ①	45	Incl.
	#2	B-5781	4	90	B-106
	#1	B-514	4	90	B-106
	1/0	B-515	4	90	B-106
	2/0	B-516	4	90	B-106
	3/0	B-517	4	90	B-106
	4/0	B-518	4	90	B-106
	250 kcmil	B-519	4	90	B-106
	300 kcmil	B-520	4	115	B-106
	350 kcmil	B-521	4	115	B-106
	500 kcmil	B-523	4	150	B-106
	750 kcmil	B-524	4	250	B-106
	1"	1/0	B-525	4	150
2/0		B-526	4	150	B-106
3/0		B-527	4	150	B-106
4/0		B-528	4	150	B-106
250 kcmil		B-529	4	150	B-106
300 kcmil		B-530	4	200	B-106
350 kcmil		B-531	4	200	B-106
500 kcmil		B-533	4	200	B-106
750 kcmil		B-534	4	250	B-106
1000 kcmil		B-535	5	2-150	B-106

TYPE BCR-2 MOLDS

Horizontal Cable to Ground Rod



Type BCR-2 Molds are used to join horizontal through copper cable to the top of a vertical ground rod. Size range is #6 through 1000 kcmil solid or concentric stranded copper conductors; 1/2" through 1" for the ground rod. Contact BURNDY® for information on molds for conductors not listed below.

NOTES:

- For sizes not listed, contact BURNDY®
- Molds listed are for concentric stranded cable; add suffix "-S" to mold number for solid conductors
- For heavy duty molds, molds with wear plates or molds for Copperweld® cable, contact BURNDY®
- For expedited service, contact BURNDY®

Required Tools:

Handle Clamps - see chart for correct handle catalog number

Recommended Accessories:

B38-0309-00 Flint Ignitor; **B38-3922-00** Mold Cleaning Brush; **B38-0135-00** Cable Cleaning Brush; **B38-0330-00** Cable Clamp

E-92

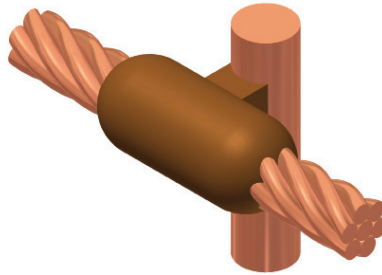
Cable		Mold Number	Price Key	Weld Metal	Handle Clamps
Grd Rod	Tap				
1/2"	#6	B-8434	18 ①	32	Incl.
	#4	B-8435	18 ①	32	Incl.
	#2	B-537	4	90	B-106
	#1	B-538	4	90	B-106
	1/0	B-539	4	90	B-106
	2/0	B-540	4	90	B-106
	3/0	B-541	4	115	B-106
	4/0	B-542	4	115	B-106
	250 kcmil	B-543	4	150	B-106
	300 kcmil	B-544	4	200	B-106
5/8"	#6	B-8441	18 ①	32	Incl.
	#4	B-8442	18 ①	32	Incl.
	#2	B-545	4	90	B-106
	#1	B-546	4	90	B-106
	1/0	B-547	4	90	B-106
	2/0	B-548	4	115	B-106
	3/0	B-549	4	115	B-106
	4/0	B-550	4	115	B-106
	250 kcmil	B-551	4	150	B-106
	300 kcmil	B-552	4	200	B-106
	350 kcmil	B-553	4	200	B-106
	500 kcmil	B-555	4	250	B-106

Cable		Mold Number	Price Key	Weld Metal	Handle Clamps
Grd Rod	Tap				
3/4"	#6	B-8452	19 ①	45	Incl.
	#4	B-8454	19 ①	65	Incl.
	#2	B-556	4	90	B-106
	#1	B-557	4	90	B-106
	1/0	B-558	4	115	B-106
	2/0	B-559	4	115	B-106
	3/0	B-560	4	115	B-106
	4/0	B-561	4	115	B-106
	250 kcmil	B-562	4	150	B-106
	300 kcmil	B-563	4	200	B-106
	350 kcmil	B-564	4	200	B-106
	500 kcmil	B-566	4	250	B-106
	750 kcmil	B-567	5	2-200	B-107
	1"	1/0	B-569	4	150
2/0		B-570	4	150	B-106
3/0		B-571	4	150	B-106
4/0		B-572	4	150	B-106
250 kcmil		B-573	4	200	B-106
300 kcmil		B-574	4	200	B-106
350 kcmil		B-575	4	200	B-106
500 kcmil		B-577	4	250	B-106
750 kcmil		B-578	5	2-200	B-107
1000 kcmil		B-579	5	500	B-107

① B38-0309-00 Flint ignitor included

TYPE BCR-3 MOLDS

Horizontal Through Cable to Ground Rod



Type BCR-3 Molds are used to join horizontal through run cable to the side of a vertical ground rod. Size range is #6 through 1000 kcmil solid or concentric stranded copper conductors; 1/2" through 1" for the ground rod. Contact BURNDY® for information on molds for conductors not listed below.

NOTES:

- For sizes not listed, contact BURNDY®
- Molds listed are for concentric stranded cable; add suffix "-S" to mold number for solid conductors
- For heavy duty molds, molds with wear plates or molds for Copperweld® cable, contact BURNDY®
- For expedited service, contact BURNDY®

Required Tools:

Handle Clamps - see chart for correct handle catalog number

Recommended Accessories:

B38-0309-00 Flint Ignitor; B38-3922-00 Mold Cleaning Brush; B38-0135-00 Cable Cleaning Brush; B38-0330-00 Cable Clamp

E-93

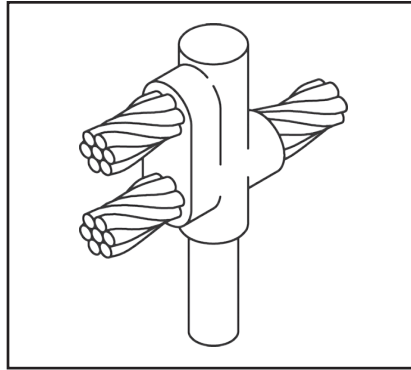
Cable		Mold Number	Price Key	Weld Metal	Handle Clamps
Grd Rod	Tap				
1/2"	#6	B-5321	24	65	B-106
	#4	B2154	24	90	B-106
	#2	B-2155	24	90	B-106
	#1	B-2156	24	115	B-106
	1/0	B-1581	24	115	B-106
	2/0	B-1582	24	115	B-106
	4/0	B-1583	24	150	B-106
	250 kcmil	B-1584	24	150	B-106
5/8"	#6	B-5660	24	65	B-106
	#4	B-2157	24	90	B-106
	#2	B-2158	24	90	B-106
	#1	B-2159	24	115	B-106
	1/0	B-1586	24	115	B-106
	2/0	B-1587	24	115	B-106
	4/0	B-1588	24	150	B-106
	250 kcmil	B-1589	24	150	B-106
	500 kcmil	B-1593	13	2-200	B-107

Cable		Mold Number	Price Key	Weld Metal	Handle Clamps
Grd Rod	Tap				
3/4"	#6	B-6630	24	65	B-106
	#4	B-2160	24	90	B-106
	#2	B-2161	24	90	B-106
	#1	B-2162	24	115	B-106
	1/0	B-1594	24	115	B-106
	2/0	B-1595	24	115	B-106
	4/0	B-1596	24	150	B-106
	250 kcmil	B-1597	24	200	B-106
	500 kcmil	B-1601	13	500	B-107
1"	750 kcmil	B-1602	13	3-250	B-107
	#6	B-6906	24	90	B-106
	#4	B-2163	24	90	B-106
	#2	B-2164	24	90	B-106
	#1	B-2165	24	115	B-106
	1/0	B-1603	24	115	B-106
	2/0	B-1604	24	115	B-106
	4/0	B-1605	24	150	B-106
	250 kcmil	B-1606	24	200	B-106
	500 kcmil	B-1610	13	500	B-107
	750 kcmil	B-1611	13	3-250	B-107

TYPE BCR-17 MOLDS

Horizontal Run and Tap Cables to Ground Rod

Type BCR-17 Molds are used to join horizontal run and tap cables to the top of a vertical ground rod. Size range is #4 through 750 kcmil solid or concentric stranded copper conductors; 1/2" through 1" for the ground rod. Contact BURNDY® for information on molds for conductors not listed below.



NOTES:

- For sizes not listed, contact BURNDY®
- Molds listed are for concentric stranded cable; add suffix "-S" to mold number for solid conductors
- For heavy duty molds, molds with wear plates or molds for Copperweld® cable, contact BURNDY®
- For expedited service, contact BURNDY®

Required Tools:

Handle Clamps - see chart for correct handle catalog number

Recommended Accessories:

B38-0309-00 Flint Ignitor; **B38-3922-00** Mold Cleaning Brush; **B38-0135-00** Cable Cleaning Brush; **B38-0330-00** Cable Clamp

E-94

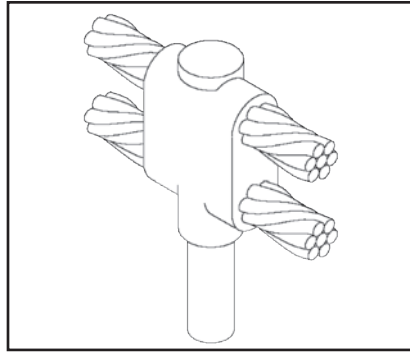
Cable		Mold Number	Price Key	Weld Metal	Handle Clamps
Grd Rod	Tap				
1/2"	#4	B-5416	4	90	B-106
	#2	B-6165	4	90	B-106
	#1	B-5830	4	90	B-106
	1/0	B-5940	4	115	B-106
	2/0	B-5850	4	150	B-106
	3/0	B-5833	4	200	B-106
	4/0	B-5380	4	200	B-106
5/8"	#4	B-5972	4	90	B-106
	#2	B-5935	4	115	B-106
	#1	B-5699	4	115	B-106
	1/0	B-5746	4	150	B-106
	2/0	B-5963	4	200	B-106
	3/0	B-5734	4	250	B-106
	4/0	B-5732	4	250	B-106
	250 kcmil	B-5722	5	2-150	B-107
3/4"	#4	B-5698	4	90	B-106
	#2	B-5294	4	115	B-106
	#1	B-5390	4	115	B-106
	1/0	B-6025	4	150	B-106
	2/0	B-5738	4	200	B-106
	3/0	B-6003	4	250	B-106
	4/0	B-2566	4	250	B-106
	250 kcmil	B-5904	5	2-150	B-107
	300 kcmil	B-5857	5	2-200	B-107
	350 kcmil	B-5777	5	2-200	B-107
500 kcmil	B-5961	5	3-200	B-107	

Cable		Mold Number	Price Key	Weld Metal	Handle Clamps
Grd Rod	Tap				
1"	#4	B-5556	4	115	B-106
	#2	B-5555	4	150	B-106
	#1	B-6048	4	150	B-106
	1/0	B-5992	4	200	B-106
	2/0	B-5877	4	250	B-106
	3/0	B-5821	5	2-150	B-107
	4/0	B-5820	5	2-150	B-107
	250 kcmil	B-5807	5	2-200	B-107
	300 kcmil	B-5803	5	500	B-107
	350 kcmil	B-5561	5	500	B-107
	500 kcmil	B-5515	6	3-250	B-107
	750 kcmil	B-5513	6	2-500	B-107

TYPE BCR-24 MOLDS

Horizontal Parallel Run Cables to Ground Rod

Type BCR-24 Molds are used to join horizontal parallel cables to the top of a vertical ground rod. Size range is #4 through 750 kcmil solid or concentric stranded copper conductors; 1/2" through 1" for the ground rod. Contact BURNDY® for information on molds for conductors not listed below.



NOTES:

- For sizes not listed, contact BURNDY®
- Molds listed are for concentric stranded cable; add suffix "-S" to mold number for solid conductors
- For heavy duty molds, molds with wear plates or molds for Copperweld® cable, contact BURNDY®
- For expedited service, contact BURNDY®

Required Tools:

Handle Clamps - see chart for correct handle catalog number

Recommended Accessories:

B38-0309-00 Flint Ignitor; **B38-3922-00** Mold Cleaning Brush; **B38-0135-00** Cable Cleaning Brush; **B38-0330-00** Cable Clamp

E-95

Cable		Mold Number	Price Key	Weld Metal	Handle Clamps
Grd Rod Size	Tap				
1/2"	#4	B-5640	4	115	B-106
	#2	B-5667	4	115	B-106
	#1	B-6002	4	115	B-106
	1/0	B-5767	4	150	B-106
	2/0	B-5604	4	200	B-106
	3/0	B-5560	4	250	B-106
	4/0	B-6766	4	250	B-106
	5/8"	#4	B-6208	4	115
#2		B-5702	4	150	B-106
#1		B-5517	4	150	B-106
1/0		B-5573	4	200	B-106
2/0		B-8451	4	250	B-106
3/0		B-2510	5	2-150	B-107
4/0		B-5428	5	2-150	B-107
250 kcmil		B-1212	5	2-200	B-107
300 kcmil		B-2084	5	500	B-107
350 kcmil		B-2558	5	500	B-107
500 kcmil		B-2450	5	3-250	B-107
3/4"		#4	B-8011	4	115
	#2	B-2320	4	150	B-106
	#1	B-2235	4	150	B-106
	1/0	B-6051	4	200	B-106
	2/0	B-8802	4	250	B-106
	3/0	B-8726	5	2-150	B-107
	4/0	B-5677	5	2-150	B-107
	250 kcmil	B-8461	5	2-200	B-107
	300 kcmil	B-8428	5	500	B-107
	350 kcmil	B-8294	5	500	B-107
	500 kcmil	B-8214	5	3-250	B-107
	750 kcmil	B-8027	6	2-500	B-107

Cable		Mold Number	Price Key	Weld Metal	Handle Clamps
Grd Rod Size	Tap				
1"	#4	B-5330	4	150	B-106
	#2	B-5332	4	200	B-106
	#1	B-5333	4	200	B-106
	1/0	B-5334	4	250	B-106
	2/0	B-5335	5	2-150	B-107
	3/0	B-5336	5	2-200	B-107
	4/0	B-5337	5	2-200	B-107
	250 kcmil	B-5338	5	500	B-107
	300 kcmil	B-5341	5	3-200	B-107
	350 kcmil	B-5351	5	3-200	B-107
	500 kcmil	B-5352	6	2-500	B-107
	750 kcmil	B-5353	64	5-250	B-107

SINGLE SHOT MOLDS

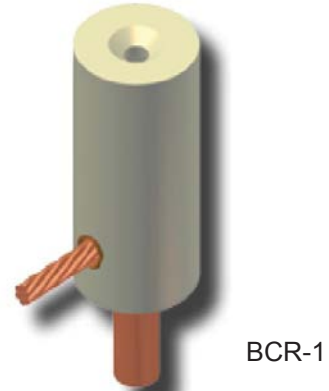
RUS Accepted

BURNDYWeld® Single Shot Molds are an economical way to make cable connections onto the top of a ground rod. The Single Shot is a disposable single use ceramic mold that comes complete with everything required except the Flint Ignitor.

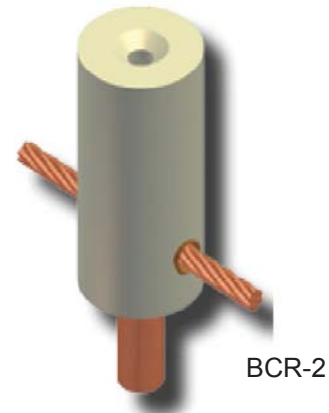
* UL Listed

E-96

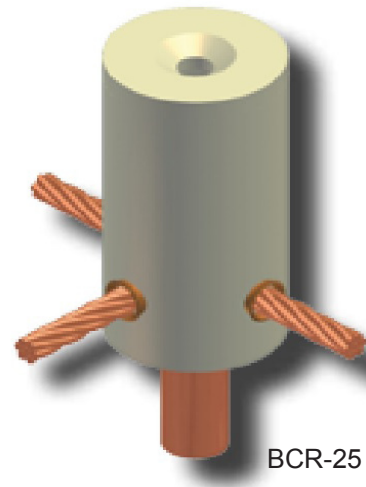
Ground Rod Size	Cable Size		Mold Number	Type
	Solid	Stranded		
1/2"	#6, #8	#8	BS-2009	BCR-1•
	#3, #4	#4, #6	BS-2010	BCR-1•
	#1, #2	#2, #3	BS-2011	BCR-1•
	#6, #8	#8	BS-2024	BCR-2•
	#3, #4	#4, #6	BS-2025	BCR-2•
	#1, #2	#2, #3	BS-2026	BCR-1•
5/8"	#6, #8	#8	BS-2012	BCR-1•
	#3, #4	#4, #6	BS-2013	BCR-1•
	#1, #2	#2, #3	BS-2014	BCR-1•
	2/0, 1/0	1/0, #1	BS-2015	BCR-1•
	—	2/0	BS-2016	BCR-1•
	#6, #8	#8	BS-2027	BCR-2•
	#3, #4	#4, #6	BS-2028	BCR-2•
	#1, #2	#2, #3	BS-2029	BCR-2•
	2/0, 1/0	1/0, #1	BS-2030	BCR-2•
	#6, #8	#8	BS-2105	BCR-24
	#3, #4	#4, #6	BS-2106	BCR-14
	#1, #2	#2, #3	BS-2107	BCR-24
	#6, #8	#8	BS-2006	BCR-25
	#3, #4	#4, #6	BS-2007	BCR-25
	#1, #2	#2, #3	BS-2008	BCR-25
3/4"	#6, #8	#8	BS-2017	BCR-1
	#3, #4	#4, #6	BS-2018	BCR-1•
	#1, #2	#2, #3	BS-2019	BCR-1•
	2/0, 1/0	1/0, #1	BS-2020	BCR-1•
	—	2/0	BS-2021	BCR-1•
	#6, #8	#8	BS-2031	BCR-2•
	#3, #4	#4, #6	BS-2032	BCR-2•
	#1, #2	#2, #3	BS-2033	BCR-2•
	2/0, 1/0	1/0, #1	BS-2034	BCR-2•
	#6, #8	#8	BS-2108	BCR-24
	#3, #4	#4, #6	BS-2109	BCR-24
	#1, #2	#2, #3	BS-2110	BCR-24
	#6, #8	#8	BS-2068	BCR-25•
	#3, #4	#4, #6	BS-2069	BCR-25•
	#1, #2	#2, #3	BS-2070	BCR-25•



BCR-1



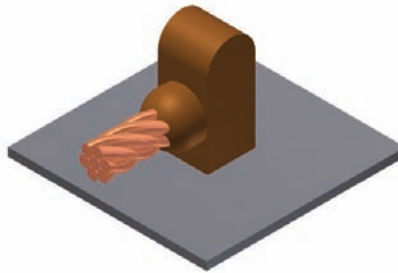
BCR-2



BCR-25

TYPE BCS-1 MOLDS

**Horizontal Cable to
Horizontal Steel Surface**



Type BCS-1 Molds are used to terminate a horizontal copper cable to any horizontal steel surface. Note that the cable is OFF the surface. Size range is 1/0 through 1000 kcmil solid or concentric stranded copper conductors. Contact BURNDY® for information on molds for conductors not listed below.

NOTES:

- For sizes not listed, contact BURNDY®
- Molds listed are for concentric stranded cable; add suffix "-S" to mold number for solid conductors
- For heavy duty molds, molds with wear plates or molds for Copperweld® cable, contact BURNDY®
- For expedited service, contact BURNDY®

Required Tools:

Handle Clamps - see chart for correct handle catalog number

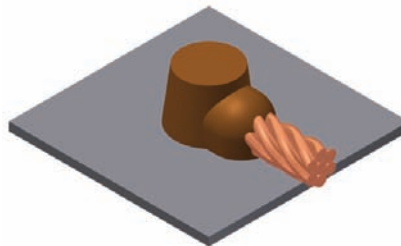
Recommended Accessories:

B38-0309-00 Flint Ignitor; **B38-3922-00** Mold Cleaning Brush; **B38-0135-00** Cable Cleaning Brush; **B38-0330-00** Cable Clamp

Cable Size	Mold Number	Price Key	Weld Metal	Handle Clamps
1/0	B-644	4	90	B-106
2/0	B-645	4	90	B-106
3/0	B-646	4	115	B-106
4/0	B-647	4	115	B-106
250 kcmil	B-648	4	115	B-106
300 kcmil	B-649	4	150	B-106
350 kcmil	B-650	4	200	B-106
500 kcmil	B-652	4	200	B-106
750 kcmil	B-653	5	2-150	B-106
1000 kcmil	B-654	5	2-200	B-107

TYPE BCS-8 MOLDS

**Horizontal Cable to
Horizontal Steel Surface**



Type BCS-8 Molds are used to terminate a horizontal copper cable to any horizontal steel surface. Note that the cable is ON the surface. Size range is #6 through 1000 kcmil solid or concentric stranded copper conductors. Contact BURNDY® for information on molds for conductors not listed below.

NOTES:

- For sizes not listed, contact BURNDY®
- Molds listed are for concentric stranded cable; add suffix "-S" to mold number for solid conductors
- For heavy duty molds, molds with wear plates or molds for Copperweld® cable, contact BURNDY®
- For expedited service, contact BURNDY®

Required Tools:

Handle Clamps - see chart for correct handle catalog number

Recommended Accessories:

B38-0309-00 Flint Ignitor; **B38-3922-00** Mold Cleaning Brush; **B38-0135-00** Cable Cleaning Brush; **B38-0330-00** Cable Clamp

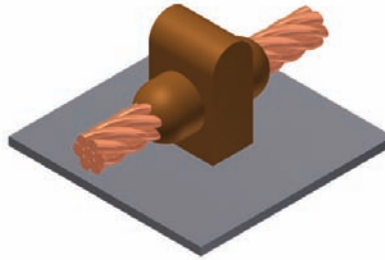
① **B38-0309-00** Flint ignitor included

Cable Size	Mold Number	Price Key	Weld Metal	Handle Clamps
#6	B-628	3 ①	45	Incl.
#4	B-629	3 ①	45	Incl.
#2	B-630	3 ①	45	Incl.
#1	B-631	3 ①	65	Incl.
1/0	B-7146	4	90	B-106
2/0	B-7075	4	90	B-106
3/0	B-2199	4	115	B-106
4/0	B-6114	4	115	B-106
250 kcmil	B-2200	4	115	B-106
300 kcmil	B-2506	4	150	B-106
350 kcmil	B-2507	4	200	B-106
500 kcmil	B-2509	4	200	B-106
750 kcmil	B-2542	5	2-150	B-107
1000 kcmil	B-2511	5	2-200	B-107

TYPE BCS-2 MOLDS

Horizontal Through Cable to Horizontal Steel Surface

Type BCS-2 Molds are used to join horizontal through copper cable to any horizontal steel surface. Note the cable is OFF the surface. Size range is 1/0 through 1000 kcmil solid or concentric stranded copper conductors. Contact BURNDY® for information on molds for conductors not listed below.



NOTES:

- For sizes not listed, contact BURNDY®
- Molds listed are for concentric stranded cable; add suffix "-S" to mold number for solid conductors
- For heavy duty molds, molds with wear plates or molds for Copperweld® cable, contact BURNDY®
- For expedited service, contact BURNDY®

Required Tools:

Handle Clamps - see chart for correct handle catalog number

Recommended Accessories:

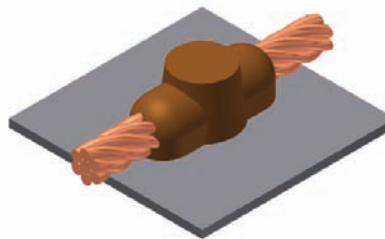
B38-0309-00 Flint Ignitor; **B38-3922-00** Mold Cleaning Brush; **B38-0135-00** Cable Cleaning Brush; **B38-0330-00** Cable Clamp

Cable Size	Mold Number	Price Key	Weld Metal	Handle Clamps
1/0	B-616	4	90	B-106
2/0	B-617	4	115	B-106
3/0	B-618	4	115	B-106
4/0	B-619	4	150	B-106
250 kcmil	B-620	4	150	B-106
300 kcmil	B-621	4	200	B-106
350 kcmil	B-622	4	250	B-106
500 kcmil	B-624	5	2-150	B-107
750 kcmil	B-625-H	5	3-250	B-107
1000 kcmil	B-626-H	5	2-500	B-107

TYPE BCS-9 MOLDS

Horizontal Through Cable to Horizontal Steel Surface

Type BCS-9 Molds are used to join horizontal through copper cable to any horizontal steel surface. Note the cable is ON the surface. Size range is #6 through 500 kcmil solid or concentric stranded copper conductors. Contact BURNDY® Products for information on molds for conductors not listed below.



NOTES:

- For sizes not listed, contact BURNDY®
- Molds listed are for concentric stranded cable; add suffix "-S" to mold number for solid conductors
- For heavy duty molds, molds with wear plates or molds for Copperweld® cable, contact BURNDY®
- For expedited service, contact BURNDY®

Required Tools:

Handle Clamps - see chart for correct handle catalog number

Recommended Accessories:

B38-0309-00 Flint Ignitor; **B38-3922-00** Mold Cleaning Brush; **B38-0135-00** Cable Cleaning Brush; **B38-0330-00** Cable Clamp

① **B38-0309-00** Flint ignitor included

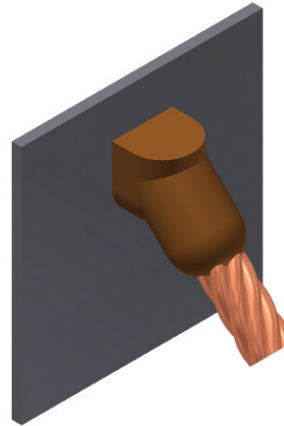
Cable Size	Mold Number	Price Key	Weld Metal	Handle Clamps
#6	B-602	3 ①	45	Incl.
#4	B-603	3 ①	45	Incl.
#2	B-604	3 ①	45	Incl.
#1	B-605	3 ①	65	Incl.
1/0	B-8379	4	90	B-106
2/0	B-5331	4	115	B-106
3/0	B-8381	4	115	B-106
4/0	B-7192	4	150	B-106
250 kcmil	B-8413	4	150	B-106
300 kcmil	B-8423	4	200	B-106
350 kcmil	B-8410	4	250	B-106
500 kcmil	B-5065	5	2-150	B-107

TYPE BCS-3 MOLDS



**Angular Cable Drop to Vertical
Steel Surface**

Type BCS-3 Molds are used to join the end of a copper cable at a 45° angle to a vertical steel surface. Size range is #6 through 1000 kcmil solid or concentric stranded copper conductors. Contact BURNDY® for information on molds for conductors not listed below.



E-99

Cable Size	Pipe Size	Mold Number	Price Key	Weld Metal	Handle Clamps
#6	Flat Steel Only	B-585	4	45	B-106
#4	12" & up	B-586 ①	4	45	B-106
#3	Flat Steel Only	B-587	4	45	B-106
#2	12" & up	B-588 ①	4	45	B-106
#1	12" & up	B-589 ①	4	65	B-106
1/0	12" & up	B-590 ①	4	90	B-106
2/0	12" & up	B-591 ①	4	90	B-106
3/0	12" & up	B-592 ①	4	115	B-106
4/0	12" & up	B-593 ①	4	115	B-106
250 kcmil	Flat Steel Only	B-594	4	115	B-106
300 kcmil	Flat Steel Only	B-595	4	150	B-106
350 kcmil	Flat Steel Only	B-596	4	200	B-106
500 kcmil	Flat Steel Only	B-598	4	200	B-106
750 kcmil	Flat Steel Only	B-599	5	2-150	B-106
1000 kcmil	Flat Steel Only	B-600	5	2-200	B-106
#4	1-1/4" to 4"	B-2476	4	45	B-106
#4	4" to 6"	B-2477	4	45	B-106
#4	6" to 10"	B-2478	4	45	B-106
#2 Sol	1-1/4" to 4"	B-9233-S	4	45	B-106
#2 Sol	4" to 6"	B-2480-S	4	45	B-106
#2 Sol	6" to 10"	B-2583-S	4	45	B-106
#2 Sol	12" & up	B-588-S ①	4	45	B-106
#2	1-1/4" to 4"	B-9233	4	45	B-106
#2	4" to 6"	B-2480	4	45	B-106
#2	6" to 10"	B-2583	4	45	B-106
#1	1-1/4" to 4"	B-2482	4	65	B-106
#1	4" to 6"	B-2483	4	65	B-106
#1	6" to 10"	B-2484	4	65	B-106
1/0	1-1/4" to 4"	B-2486	4	90	B-106
1/0	4" to 6"	B-2487	4	90	B-106
1/0	6" to 10"	B-2488	4	90	B-106

Cable Size	Pipe Size	Mold Number	Price Key	Weld Metal	Handle Clamps
2/0	1-1/4" to 4"	B-8833	4	90	B-106
2/0	4" to 6"	B-2490	4	90	B-106
2/0	6" to 10"	B-2491	4	90	B-106
3/0	1-1/4" to 4"	B-2493	4	115	B-106
3/0	4" to 6"	B-2494	4	115	B-106
3/0	6" to 10"	B-2495	4	115	B-106
4/0	1-1/4" to 4"	B-9021	4	115	B-106
4/0	4" to 6"	B-2497	4	115	B-106
4/0	6" to 10"	B-2498	4	115	B-106

① Flat Surface Mold; These items can be used to Flat Steel or to Pipe

NOTES:

- For sizes not listed, contact BURNDY®
- Molds listed are for concentric stranded cable; add suffix "-S" to mold number for solid conductors
- For heavy duty molds, molds with wear plates or molds for Copperweld® cable, contact BURNDY®
- For expedited service, contact BURNDY®

Required Tools:

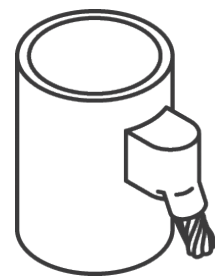
Handle Clamps - see chart for correct handle catalog number

Recommended Accessories:

- B38-0309-00 Flint Ignitor
- B38-3922-00 Mold Cleaning Brush
- B38-0135-00 Cable Cleaning Brush
- B38-0330-00 Cable Clamp



Cable to Flat Steel

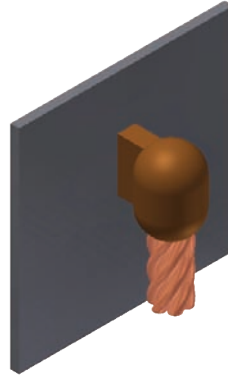


Cable to Pipe

TYPE BCS-23 MOLDS

Vertical Cable Drop to Vertical Steel Surface

Type BCS-23 Molds are used to join vertical cable down to a vertical steel surface. Note that the cable is OFF the surface. Size range is #6 through 500 kcmil solid or concentric stranded copper conductors. Contact BURNDY® for information on molds for conductors not listed below.



NOTES:

- For sizes not listed, contact BURNDY®
- Molds listed are for concentric stranded cable; add suffix "-S" to mold number for solid conductors
- For heavy duty molds, molds with wear plates or molds for Copperweld® cable, contact BURNDY®
- For expedited service, contact BURNDY®

Required Tools:

Handle Clamps - see chart for correct handle catalog number

Recommended Accessories:

B38-0309-00 Flint Ignitor; **B38-3922-00** Mold Cleaning Brush; **B38-0135-00** Cable Cleaning Brush; **B38-0330-00** Cable Clamp

E-100

Cable Size	Mold Number	Price Key	Weld Metal	Handle Clamps
#6	B-5389	4	45	B-106
#4	B-5359	4	65	B-106
#2	B-2781	4	65	B-106
#1	B-5361	4	90	B-106
1/0	B-2189	4	115	B-106
2/0	B-2540	4	115	B-106
3/0	B-5362	4	150	B-106
4/0	B-8718	4	150	B-106
250 kcmil	B-8165	4	200	B-106
300 kcmil	B-5363	4	200	B-106
350 kcmil	B-9029	4	250	B-106
500 kcmil	B-8512	17	2-150	B-106

TYPE BCS-4 MOLDS

Vertical Through Cable to Vertical Steel Surface

Type BCS-4 Molds are used to join a vertical through copper cable to a vertical steel surface. Note that the cable is OFF the surface. For molds with the cable on the surface, contact BURNDY®. Size range is #6 through 500 kcmil solid or concentric stranded copper conductors. Contact BURNDY® for information on molds for conductors not listed.

NOTES:

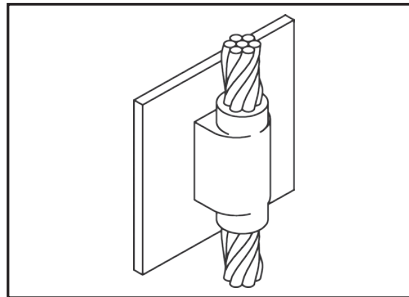
- For sizes not listed, contact BURNDY®
- Molds listed are for concentric stranded cable; add suffix "-S" to mold number for solid conductors
- For heavy duty molds, molds with wear plates or molds for Copperweld® cable, contact BURNDY®
- For expedited service, contact BURNDY®

Required Tools:

Handle Clamps - see chart for correct handle catalog number

Recommended Accessories:

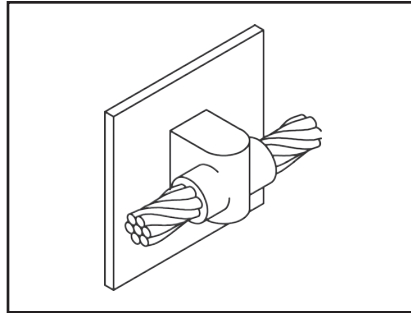
B38-0309-00 Flint Ignitor; **B38-3922-00** Mold Cleaning Brush; **B38-0135-00** Cable Cleaning Brush; **B38-0330-00** Cable Clamp



Cable Size	Mold Number	Price Key	Weld Metal	Handle Clamps
#6	B-1215	4	90	B-106
#4	B-1216	4	90	B-106
#2	B-1218	4	115	B-106
#1	B-1219	4	115	B-106
1/0	B-1220	17	200	B-106
2/0	B-1221	17	200	B-106
3/0	B-1222	17	250	B-106
4/0	B-1223	17	250	B-106
250 kcmil	B-1224	17	250	B-106
300 kcmil	B-1225-H	6	500	B-107
350 kcmil	B-1226-H	6	3-200	B-107
500 kcmil	B-1228-H	6	3-250	B-107

TYPE BCS-6 MOLDS

**Horizontal Through Cable to
Vertical Steel Surface**



Type BCS-6 Molds are used to join horizontal through copper cable to a vertical steel surface. Note that the cable is OFF the surface. Size range is #6 through 250 kcmil solid or concentric stranded copper conductors. Contact BURNDY® for information on molds for conductors not listed below.

Cable Size	Mold Number	Price Key	Weld Metal	Handle Clamps
#6	B-1626	4	65	B-106
#4	B-1627	4	65	B-106
#2	B-1628	4	65	B-106
#1	B-1629	4	90	B-106
1/0	B-1630	4	115	B-106
2/0	B-1631	4	115	B-106
3/0	B-1632	4	150	B-106
4/0	B-1633	4	150	B-106
250 kcmil	B-1634	4	150	B-106

NOTES:

- For sizes not listed, contact BURNDY®
- Molds listed are for concentric stranded cable; add suffix "-S" to mold number for solid conductors
- For heavy duty molds, molds with wear plates or molds for Copperweld® cable, contact BURNDY®
- For expedited service, contact BURNDY®

Required Tools:

Handle Clamps - see chart for correct handle catalog number

Recommended Accessories:

- B38-0309-00** Flint Ignitor
- B38-3922-00** Mold Cleaning Brush
- B38-0135-00** Cable Cleaning Brush
- B38-0330-00** Cable Clamp

E-101

TYPE BCS-7 MOLDS

**Overhead Vertical Tap Cable to
Vertical Steel Surface**



Type BCS-7 Molds are used to join an overhead vertical copper conductor drop tap to a vertical steel surface. Size range is #6 through 1000 kcmil solid or concentric stranded copper conductors. Contact BURNDY® for information on molds for conductors not listed.

NOTES:

- For sizes not listed, contact BURNDY®
- Molds listed are for concentric stranded cable; add suffix "-S" to mold number for solid conductors
- For heavy duty molds, molds with wear plates or molds for Copperweld® cable, contact BURNDY®
- For expedited service, contact BURNDY®

Required Tools:

Handle Clamps - see chart for correct handle catalog number

Recommended Accessories:

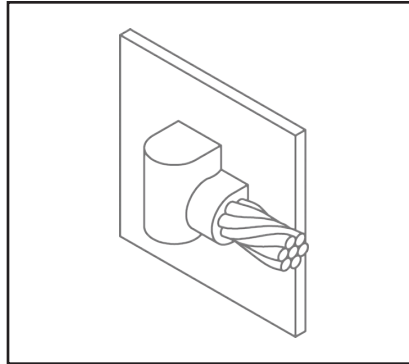
- B38-0309-00** Flint Ignitor
- B38-3922-00** Mold Cleaning Brush
- B38-0135-00** Cable Cleaning Brush
- B38-0330-00** Cable Clamp

Cable Size	Mold Number	Price Key	Weld Metal	Handle Clamps
#6	B-1635	4	65	B-106
#4	B-1636	4	65	B-106
#3	B-1637	4	65	B-106
#2	B-1638	4	65	B-106
#1	B-1639	4	90	B-106
1/0	B-1640	4	150	B-106
2/0	B-1641	4	150	B-106
3/0	B-1642	17	200	B-106
4/0	B-1643	17	200	B-106
250 kcmil	B-1644	17	200	B-106
300 kcmil	B-1645	17	250	B-106
350 kcmil	B-1646	6	2-150	B-107
500 kcmil	B-1648	6	2-200	B-107
750 kcmil	B-1649	6	500	B-107
1000 kcmil	B-1650	6	3-200	B-107

TYPE BCS-18 MOLDS

Horizontal Tap Cable to Vertical Steel Surface

Type BCS-18 Molds are used to connect a horizontal conductor to a vertical steel surface. Note that the cable is ON the surface. Size range is #6 through 500 kcmil solid or concentric stranded copper conductors. Contact BURNDY® for information on molds for conductors not listed below.



NOTES:

- For sizes not listed, contact BURNDY®
- Molds listed are for concentric stranded cable; add suffix "-S" to mold number for solid conductors
- For heavy duty molds, molds with wear plates or molds for Copperweld® cable, contact BURNDY®
- For expedited service, contact BURNDY®

Required Tools:

Handle Clamps - see chart for correct handle catalog number

Recommended Accessories:

B38-0309-00 Flint Ignitor; **B38-3922-00** Mold Cleaning Brush; **B38-0135-00** Cable Cleaning Brush; **B38-0330-00** Cable Clamp

E-102

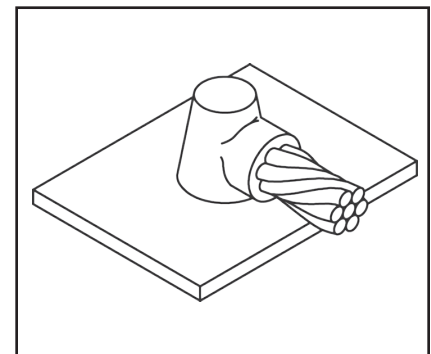
Cable Size	Mold Number	Price Key	Weld Metal	Handle Clamps
#6	B-5910	4	45	B-106
#4	B-2761	4	45	B-106
#1	B-6060	4	65	B-106
1/0	B-5419	4	90	B-106
2/0	B-2567	4	90	B-106
3/0	B-6072	4	115	B-106
4/0	B-9253	4	115	B-106
250 kcmil	B-2568	4	115	B-106
300 kcmil	B-6061	4	150	B-106
350 kcmil	B-6067	4	200	B-106
500 kcmil	B-8359	4	200	B-106

TYPE BCS-5 MOLDS

Horizontal Cable Tap to Horizontal Cast Iron Surface

Type BCS-5 Molds are used to join horizontal cable taps to horizontal cast iron surfaces. Note that the cable is ON the surface. Size range is #6 through #1 solid or concentric stranded copper conductors. Contact BURNDY® for information on molds for conductors not listed below.

DO NOT use Type BCS-5 molds on Soil Pipe (ASTM A74-82). A test weld should be made on a section of pipe being used to determine the possibility of detrimental metallurgical effects.



NOTES:

- For sizes not listed, contact BURNDY®
- Molds listed are for concentric stranded cable; add suffix "-S" to mold number for solid conductors
- For heavy duty molds, molds with wear plates or molds for Copperweld® cable, contact BURNDY®
- For expedited service, contact BURNDY®

Required Tools:

Handle Clamps - see chart for correct handle catalog number

Recommended Accessories:

B38-0309-00 Flint Ignitor
B38-3922-00 Mold Cleaning Brush
B38-0135-00 Cable Cleaning Brush
B38-0330-00 Cable Clamp

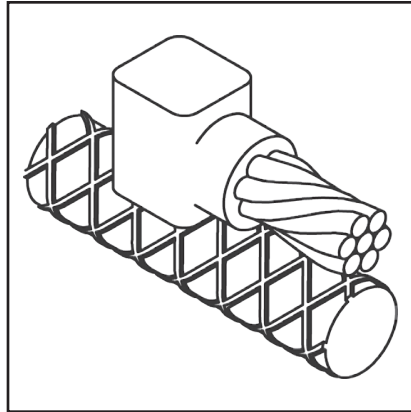
Cable Size	Mold Number	Price Key	Weld Metal	Handle Clamps
#6 Sol	B-1613	3 ①	2SCI	Incl.
#6	B-1614	3 ①	25CI	Incl.
#4 Sol	B-1615	3 ①	45CI	Incl.
#4	B-1616	3 ①	45CI	Incl.
#2 Sol	B-1617	3 ①	45CI	Incl.
#2	B-1618	3 ①	45CI	Incl.
#1 Sol	B-1619	3 ①	65CI	Incl.
#1	B-1620	3 ①	65CI	Incl.

① B38-0309-00 Flint ignitor included

TYPE BCRE-1 MOLDS

Horizontal Parallel Tap to Rebar

Type BCRE-1 Molds are recommended for parallel, horizontal connections for solid or concentric stranded conductors #6 through 4/0 joined to reinforcing bars #3 through #6 and larger. The high copper content joint has a higher current carrying capacity than the conductors being joined and is impervious to vibration and moisture. Contact BURNDY® for information on molds for conductors not listed below.



PACKING MATERIAL NOTE

A packing pad is necessary when making BURNDYWeld® connections to rebar. Packing material B38032900 is copper shim stock. Packing material numbers B38406100, B38406200 and B38406300 are a ceramic fiber material and can be used for one connection only. Be sure to specify packing material catalog number when ordering mold and weld metal.

E-103

Rebar Size	Cable Size	Mold Number	Packing Material	Price Key	Weld Metal	Handle Clamps
3	#6	B-7500	B38032900	4	25	B-106
	#4	B-7501	B38032900	4	32	B-106
	#2	B-7502	B38032900	4	45	B-106
	#1	B-7503	B38032900	4	65	B-106
	1/0	B-7504	B38032900	4	90	B-106
	2/0	B-7505	B38032900	4	90	B-106
	3/0	B-7506	B38032900	4	115	B-106
4 & Larger	4/0	B-7507	B38032900	4	115	B-106
	#6	B-7508	B38406100	3 ①	25	Incl.
	#4	B-7509	B38406100	3 ①	32	Incl.
	#2	B-7510	B38406100	3 ①	45	Incl.
4	#1	B-7511	B38406100	3 ①	65	Incl.
	1/0	B-7512	B38032900	4	90	B-106
	2/0	B-7513	B38032900	4	90	B-106
	3/0	B-7514	B38032900	4	115	B-106
	4/0	B-7515	B38032900	4	115	B-106
5	1/0	B-7520	B38032900	4	90	B-106
	2/0	B-7521	B38032900	4	90	B-106
	3/0	B-7522	B38032900	4	115	B-106
	4/0	B-7523	B38032900	4	115	B-106
6 & Larger	1/0	B-7528	B38406200	14+	90	Incl.
	2/0	B-7529	B38406200	14+	90	Incl.
	3/0	B-7530	B38406200	14+	115	Incl.
	4/0	B-7531	B38406200	14+	115	Incl.

① B38-0309-00 Flint ignitor included

NOTES:

- For sizes not listed, contact BURNDY®
- Molds listed are for concentric stranded cable; add suffix "-S" to mold number for solid conductors
- For heavy duty molds, molds with wear plates or molds for Copperweld® cable, contact BURNDY®
- For expedited service, contact BURNDY®

Required Tools:

Handle Clamps - see chart for correct handle catalog number

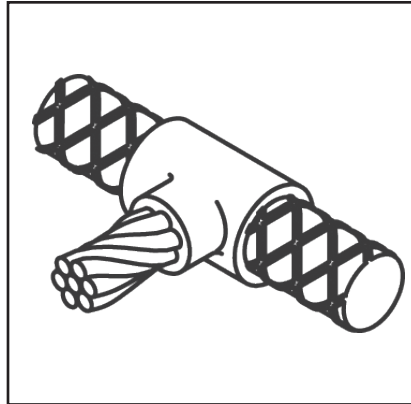
Recommended Accessories:

- B38-0309-00** Flint Ignitor
- B38-3922-00** Mold Cleaning Brush
- B38-0135-00** Cable Cleaning Brush
- B38-0330-00** Cable Clamp

TYPE BCRE-2 MOLDS

Horizontal Cable Tap to Horizontal Rebar Run

Type BCRE-2 Molds are recommended for right angle, horizontal connections for solid or concentric stranded conductors #6 through 4/0 joined to reinforcing bars #3 through #6. The high copper content joint has a higher current carrying capacity than the conductors being joined and is impervious to vibration and moisture.



PACKING MATERIAL NOTE

A packing pad is necessary when making BURNDYWeld® connections to rebar. Packing material B38032900 is copper shim stock. Packing material numbers B38406100, B38406200 and B38406300 are a ceramic fiber material and can be used for one connection only. Be sure to specify packing material catalog number when ordering mold and weld metal.

E-104

Rebar Size	Cable Size	Mold Number	Packing Material	Price Key	Weld Metal	Handle Clamps
3	#6	B-7588	B38032900	4	45	B-106
	#4	B-7589	B38032900	4	45	B-106
	#2	B-7590	B38032900	4	65	B-106
	#1	B-7591	B38032900	4	65	B-106
	1/0	B-7592	B38032900	4	90	B-106
	2/0	B-7593	B38032900	4	90	B-106
	3/0	B-7594	B38032900	4	115	B-106
	4/0	B-7595	B38032900	4	115	B-106
4	#6	B-7596	B38032900	4	45	B-106
	#4	B-7597	B38032900	4	45	B-106
	#2	B-7598	B38032900	4	65	B-106
	#1	B-7599	B38032900	4	65	B-106
	1/0	B-7600	B38032900	4	90	B-106
	2/0	B-7601	B38032900	4	90	B-106
	3/0	B-7602	B38032900	4	115	B-106
	4/0	B-7603	B38032900	4	115	B-106
5	#6	B-7604	B38032900	4	90	B-106
	#4	B-7605	B38032900	4	90	B-106
	#2	B-7606	B38032900	4	90	B-106
	#1	B-7607	B38032900	4	90	B-106
	1/0	B-7608	B38032900	4	115	B-106
	2/0	B-7609	B38032900	4	115	B-106
	3/0	B-7610	B38032900	4	150	B-106
	4/0	B-7611	B38032900	4	150	B-106
6	#6	B-7612	B38032900	4	90	B-106
	#4	B-7613	B38032900	4	90	B-106
	#2	B-7614	B38032900	4	90	B-106
	#1	B-7615	B38032900	4	90	B-106
	1/0	B-7616	B38032900	4	115	B-106
	2/0	B-7617	B38032900	4	115	B-106
	3/0	B-7618	B38032900	4	150	B-106
	4/0	B-7619	B38032900	4	150	B-106

NOTES:

- For sizes not listed, contact BURNDY®
- Molds listed are for concentric stranded cable; add suffix "-S" to mold number for solid conductors
- For heavy duty molds, molds with wear plates or molds for Copperweld® cable, contact BURNDY®
- For expedited service, contact BURNDY®

Required Tools:

Handle Clamps - see chart for correct handle catalog number

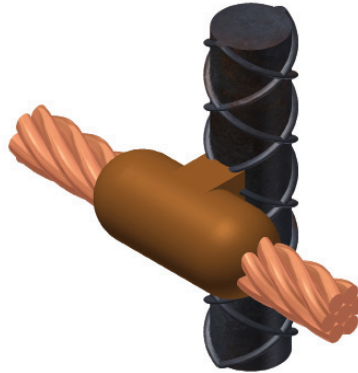
Recommended Accessories:

B38-0309-00 Flint Ignitor
B38-3922-00 Mold Cleaning Brush
B38-0135-00 Cable Cleaning Brush
B38-0330-00 Cable Clamp

TYPE BCRE-3 MOLDS

**Horizontal through Cable to
Vertical Rebar**

Type BCRE-3 Molds are recommended for horizontal conductors to vertical rebar connections for solid or concentric stranded conductors #6 through 4/0 joined to reinforcing bars #3 through #7 & larger. The high copper content joint has a higher current carrying capacity than the conductors being joined and is impervious to vibration and moisture. Contact BURNDY® for information on molds for conductors not listed below.



PACKING MATERIAL NOTE

A packing pad is necessary when making BURNDYWeld® connections to rebar. Packing material B38032900 is copper shim stock. Packing material numbers B38406100, B38406200 and B38406300 are a ceramic fiber material and can be used for one connection only. Be sure to specify packing material catalog number when ordering mold and weld metal.

E-105

Rebar Size	Cable Size	Mold Number	Packing Material	Price Key	Weld Metal	Handle Clamps
3	#6	B-7620	B38032900	24	90	B-106
	#4	B-7621	B38032900	24	90	B-106
	#2	B-7622	B38032900	24	90	B-106
	#1	B-7623	B38032900	24	115	B-106
	1/0	B-7624	B38032900	24	115	B-106
	2/0	B-7625	B38032900	24	115	B-106
	3/0	B-7626	B38032900	24	150	B-106
	4/0	B-7627	B38032900	24	150	B-106
4	#6	B-7628	B38032900	24	90	B-106
	#4	B-7629	B38032900	24	90	B-106
	#2	B-7630	B38032900	24	90	B-106
	#1	B-7631	B38032900	24	115	B-106
	1/0	B-7632	B38032900	24	115	B-106
	2/0	B-7633	B38032900	24	115	B-106
	3/0	B-7634	B38032900	24	150	B-106
	4/0	B-7635	B38032900	24	150	B-106
5	#6	B-7636	B38032900	24	90	B-106
	#4	B-7637	B38032900	24	90	B-106
	#2	B-7638	B38032900	24	90	B-106
	#1	B-7639	B38032900	24	115	B-106
	1/0	B-7640	B38032900	24	115	B-106
	2/0	B-7641	B38032900	24	115	B-106
	3/0	B-7642	B38032900	24	150	B-106
	4/0	B-7643	B38032900	24	150	B-106

Rebar Size	Cable Size	Mold Number	Packing Material	Price Key	Weld Metal	Handle Clamps
6	#6	B-7644	B38032900	24	90	B-106
	#4	B-7645	B38032900	24	90	B-106
	#2	B-7646	B38032900	24	90	B-106
	#1	B-7647	B38032900	24	115	B-106
	1/0	B-7648	B38032900	24	115	B-106
	2/0	B-7649	B38032900	24	115	B-106
	3/0	B-7650	B38032900	24	150	B-106
	4/0	B-7651	B38032900	24	150	B-106
7 & Larger	#6	B-7652	B38406300	4	90	B-106-41
	#4	B-7653	B38406300	4	90	B-106-41
	#2	B-7654	B38406300	4	90	B-106-41
	#1	B-7655	B38406300	4	115	B-106-41
	1/0	B-7656	B38406300	4	115	B-106-41
	2/0	B-7657	B38406300	4	115	B-106-41
	3/0	B-7658	B38406300	4	150	B-106-41
	4/0	B-7659	B38406300	4	150	B-106-41

NOTES:

- For sizes not listed, contact BURNDY®
- Molds listed are for concentric stranded cable; add suffix "-S" to mold number for solid conductors
- For heavy duty molds, molds with wear plates or molds for Copperweld® cable, contact BURNDY®
- For expedited service, contact BURNDY®

Required Tools:

Handle Clamps - see chart for correct handle catalog number

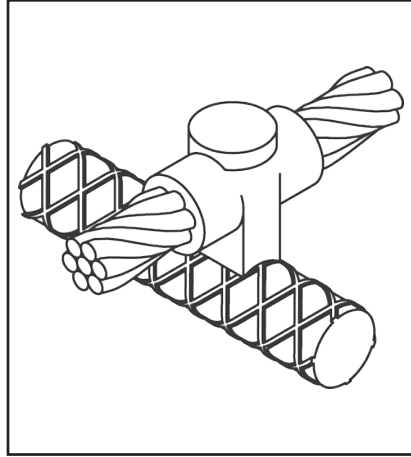
Recommended Accessories:

- B38-0309-00 Flint Ignitor
- B38-3922-00 Mold Cleaning Brush
- B38-0135-00 Cable Cleaning Brush
- B38-0330-00 Cable Clamp

TYPE BCRE-4 MOLDS

Horizontal through Cable to Horizontal Rebar

Type BCRE-4 Molds are recommended for horizontal through conductors to horizontal rebar at right angle connections for solid or concentric stranded conductors #6 through 4/0 joined to reinforcing bars #3 through #6 & larger. The high copper content joint has a higher current carrying capacity than the conductors being joined and is impervious to vibration and moisture. Contact BURNDY® for information on molds for conductors not listed below.



PACKING MATERIAL NOTE

A packing pad is necessary when making BURNDYWeld® connections to rebar. Packing material B38032900 is copper shim stock. Packing material numbers B38406100, B38406200 and B38406300 are a ceramic fiber material and can be used for one connection only. Be sure to specify packing material catalog number when ordering mold and weld metal.

E-106

Rebar Size	Cable Size	Mold Number	Packing Material	Price Key	Weld Metal	Handle Clamps
3	#6	B-7708	B38032900	4	90	B-106
	#4	B-7709	B38032900	4	90	B-106
	#2	B-7710	B38032900	4	90	B-106
	#1	B-7711	B38032900	4	115	B-106
	1/0	B-7712	B38032900	22	115	B-106
	2/0	B-7713	B38032900	22	115	B-106
	3/0	B-7714	B38032900	22	150	B-106
	4/0	B-7715	B38032900	22	150	B-106
4	#6	B-7716	B38032900	4	90	B-106
	#4	B-7717	B38032900	4	90	B-106
	#2	B-7718	B38032900	4	90	B-106
	#1	B-7719	B38032900	22	115	B-106
	1/0	B-7720	B38032900	22	115	B-106
	2/0	B-7721	B38032900	22	115	B-106
	3/0	B-7722	B38032900	22	150	B-106
	4/0	B-7723	B38032900	22	150	B-106
5	#6	B-7724	B38032900	4	90	B-106
	#4	B-7725	B38032900	4	90	B-106
	#2	B-7726	B38032900	4	90	B-106
	#1	B-7727	B38032900	22	115	B-106
	1/0	B-7728	B38032900	22	115	B-106
	2/0	B-7729	B38032900	22	115	B-106
	3/0	B-7730	B38032900	22	150	B-106
	4/0	B-7731	B38032900	22	150	B-106
6 & Larger	#6	B-7732	B38406100	14 ①	90	Incl.
	#4	B-7733	B38406100	14 ①	90	Incl.
	#2	B-7734	B38406100	14 ①	90	Incl.
	#1	B-7735	B38406100	14 ①	115	Incl.
	1/0	B-7736	B38406200	14 ①	115	Incl.
	2/0	B-7737	B38406200	14 ①	115	Incl.
	3/0	B-7738	B38406200	14 ①	150	Incl.
	4/0	B-7739	B38406200	14 ①	150	Incl.

NOTES:

- For sizes not listed, contact BURNDY®
- Molds listed are for concentric stranded cable; add suffix "-S" to mold number for solid conductors
- For heavy duty molds, molds with wear plates or molds for Copperweld® cable, contact BURNDY®
- For expedited service, contact BURNDY®

Required Tools:

Handle Clamps - see chart for correct handle catalog number

Recommended Accessories:

B38-0309-00 Flint Ignitor
B38-3922-00 Mold Cleaning Brush
B38-0135-00 Cable Cleaning Brush
B38-0330-00 Cable Clamp

① B38-0309-00 Flint ignitor included

TYPE BCRE-6 MOLDS

**Horizontal Cable Tap to
Vertical Rebar**

Type BCRE-6 Molds are recommended for horizontal conductors terminating at right angles to vertical rebar connections for solid or concentric stranded conductors #6 through 4/0 joined to reinforcing bars #3 through #7 and larger. The high copper content joint has a higher current carrying capacity than the conductors being joined and is impervious to vibration and moisture.

Contact BURNDY® for information on molds for conductors not listed below.



PACKING MATERIAL NOTE

A packing pad is necessary when making BURNDYWeld® connections to rebar. Packing material B38032900 is copper shim stock. Packing material numbers B38406100, B38406200 and B38406300 are a ceramic fiber material and can be used for one connection only. Be sure to specify packing material catalog number when ordering mold and weld metal.

E-107

Rebar Size	Cable Size	Mold Number	Packing Material	Price Key	Weld Metal	Handle Clamps
3	#6	B-7884	B38032900	4	90	B-106
	#4	B-7885	B38032900	4	90	B-106
	#2	B-7886	B38032900	4	90	B-106
	#1	B-7887	B38032900	4	115	B-106
	1/0	B-7888	B38032900	4	115	B-106
	2/0	B-7889	B38032900	4	115	B-106
	3/0	B-7890	B38032900	4	150	B-106
	4/0	B-7891	B38032900	4	150	B-106
4	#6	B-7892	B38032900	4	90	B-106
	#4	B-7893	B38032900	4	90	B-106
	#2	B-7894	B38032900	4	90	B-106
	#1	B-7895	B38032900	4	115	B-106
	1/0	B-7896	B38032900	4	115	B-106
	2/0	B-7897	B38032900	4	115	B-106
	3/0	B-7898	B38032900	4	150	B-106
	4/0	B-7899	B38032900	4	150	B-106
5	#6	B-7900	B38032900	4	90	B-106
	#4	B-7901	B38032900	4	90	B-106
	#2	B-7902	B38032900	4	90	B-106
	#1	B-7903	B38032900	4	115	B-106
	1/0	B-7904	B38032900	4	115	B-106
	2/0	B-7905	B38032900	4	115	B-106
	3/0	B-7906	B38032900	4	150	B-106
	4/0	B-7907	B38032900	4	150	B-106

Rebar Size	Cable Size	Mold Number	Packing Material	Price Key	Weld Metal	Handle Clamps
6	#6	B-7908	B38032900	4	90	B-106
	#4	B-7909	B38032900	4	90	B-106
	#2	B-7910	B38032900	4	90	B-106
	#1	B-7911	B38032900	4	115	B-106
	1/0	B-7912	B38032900	4	115	B-106
	2/0	B-7913	B38032900	4	115	B-106
	3/0	B-7914	B38032900	4	150	B-106
	4/0	B-7915	B38032900	4	150	B-106
7 & Larger	#6	B-7916	B38406300	4	90	B-106-32 ①
	#4	B-7917	B38406300	4	90	B-106-32 ①
	#2	B-7918	B38406300	4	90	B-106-32 ①
	#1	B-7919	B38406300	4	115	B-106-32 ①
	1/0	B-7920	B38406300	4	115	B-106-32 ①
	2/0	B-7921	B38406300	4	115	B-106-32 ①
	3/0	B-7922	B38406300	4	150	B-106-32 ①
	4/0	B-7923	B38406300	4	150	B-106-32 ①

① The **B106-32** comes complete with a **B-106** handle clamp and **B40-0106-76** vertical chain clamp. Although good for use on all sizes of rebar, vertical chain clamps are strongly recommended on large size rebar as they hold the mold to the rebar securely. If you already have a B-106 handle clamp, you can purchase the vertical chain clamps separately.

NOTES:

- For sizes not listed, contact BURNDY®
- Molds listed are for concentric stranded cable; add suffix "-S" to mold number for solid conductors
- For heavy duty molds, molds with wear plates or molds for Copperweld® cable, contact BURNDY®
- For expedited service, contact BURNDY®

Required Tools:

Handle Clamps - see chart for correct handle catalog number

Recommended Accessories:

- B38-0309-00** Flint Ignitor
- B38-3922-00** Mold Cleaning Brush
- B38-0135-00** Cable Cleaning Brush
- B38-0330-00** Cable Clamp

BURNDY® GROUNDMAX™

BURNDY® GROUNDMAX™

BURNDY® GROUNDMAX™ is an economical solution for areas with very difficult grounding issues. BURNDY® GROUNDMAX™ is highly conductive in a wet or dry application and does not require moisture to lower the resistance of your grounding system. BURNDY® GROUNDMAX™ contains a corrosion inhibitor which forms a film on copper, creating a barrier against corrosion. BURNDY® GROUNDMAX™ can be poured in dry or pumped in slurry form. No tamping required. It is very contractor friendly. No special tools required.

Advantages:

- Easy to install
- Electrically conductive
- Environmentally friendly
- Will not leach into the ground
- Positive low resistance, electrical connection to earth
- Does not contain any hazardous chemicals
- Compatible with all copper grounding systems
- Contains a corrosion inhibitor to protect copper
- Will not expand or shrink
- Not affected by freezing
- Excellent shelf life
- Typical resistivity <10 Ohm-cm

E-108

Material Required per Linear Foot of Trench Width of Trench (inches)												
		4	6	8	10	12	14	16	18	20	22	24
Thickness of BURNDY® GROUNDMAX™ (Inches)	2	4.10	6.20	8.10	10.10	12.10	14.10	16.20	18.20	20.20	22.20	24.20
	3	6.20	9.30	12.10	15.20	18.20	21.20	24.20	27.30	30.30	33.30	36.40
	4	8.20	12.30	16.20	20.20	24.20	28.30	32.30	36.40	40.40	44.50	48.50
	5	10.30	15.40	20.20	25.30	30.30	35.40	40.40	45.50	50.60	55.60	60.60
	6	12.30	18.50	24.20	30.30	36.40	42.40	48.50	54.60	60.60	66.70	72.70
	7	14.40	21.60	28.30	35.40	42.40	49.50	56.60	63.70	70.70	77.80	84.90
	8	16.40	24.70	32.30	40.40	48.50	56.00	64.70	72.70	80.80	88.90	97.00
	9	18.50	27.80	36.40	45.50	54.60	63.70	72.70	81.80	90.90	100.00	109.10
	10	20.60	30.80	40.40	50.50	60.60	70.70	80.80	90.90	101.00	111.10	121.20

To calculate the pounds of material required to fill a trench:

- Determine desired thickness
- Move to the right on the chart above until you are under the known width of the trench - this number will be the weight of the material in lbs/linear ft
- Take this number and multiply by the length of the trench in feet; your answer will be the amount of BURNDY® GROUNDMAX™ material required to fill the trench to the desired level in pounds

Example:

Thickness = 6 inches
 Width of trench = 18 inches
 = 54.6 lbs per linear ft (see table above)
 Answer = 54.6 lbs per linear ft x 25 ft trench = 1,365 lbs of BURNDY® GROUNDMAX™
 = Quantity of 28 50-lb bags of BURNDY® GROUNDMAX™

BURNDY® GROUNDMAX™

Application Information

Vertical Installation

Drill or bore a hole the desired diameter and depth. Suspend ground electrode in center of hole to be filled. Pour BURNDY® GROUNDMAX™ until desired level is obtained. No tamping is required.

Dry Volume of BURNDY® GROUNDMAX™ vs. Hole Size		Ground Resistance Comparison of Bare Rod vs.	
Hole Size	Lbs. of BURNDY® GROUNDMAX™ Per Ft.	Hole Size with 5/8" x 10' Rod in Center of 15' Hole	Percent Resistance Compared to Rod Only (100%)
4"	6.5	4"	52%
6"	14.5	6"	47%
8"	25.8	8"	44%
10"	40.4	10"	42%
12"	58.1	12"	40%

Horizontal or Grid Construction ①

Pour into horizontal trench until level of ground wire is reached. Place ground wire. Pour additional BURNDY® GROUNDMAX™ until wire is covered to desired height. Cover with fill. No tamping required.

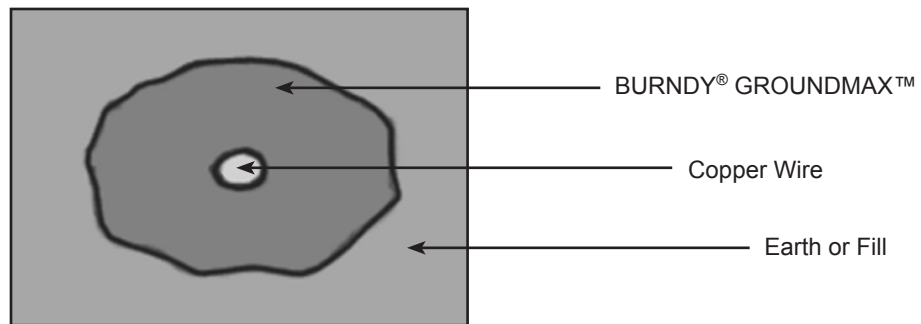
For grid construction, pour BURNDY® GROUNDMAX™ and spread over ground grid until desired thickness is achieved. Cover with fill.

Steady State Leakage Resistance ② Using 4/0 Copper Wire vs. BURNDY® GROUNDMAX™					
Length	0.457" Diameter Wire Only	Percentage of Resistance with 0.457" Wire Plus BURNDY® GROUNDMAX™ in Various Diameters Compared to Wire Only (100%)			
		2"	3"	4"	6"
25'	100%	83%	78%	74%	69%
50'	100%	85%	81%	77%	73%
75'	100%	86%	82%	79%	75%
100'	100%	87%	83%	80%	77%
150'	100%	88%	84%	82%	78%
200'	100%	88%	85%	83%	79%
250'	100%	89%	85%	83%	80%
300'	100%	89%	86%	84%	80%

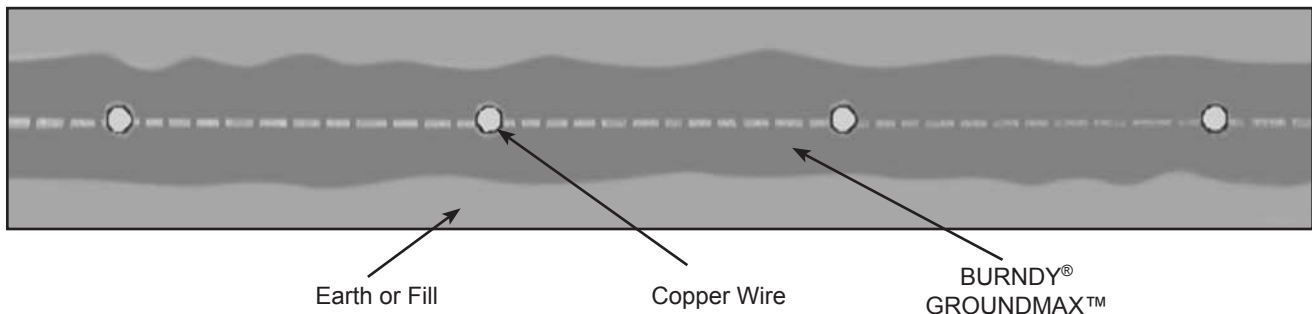
① Entire grounding system should be surrounded by BURNDY® GROUNDMAX™. Conductors should be insulated as they exit BURNDY® GROUNDMAX™ column.

② The use of BURNDY® GROUNDMAX™ around the grounding system will also reduce surge impedance by increasing the effective contact area of the electrode to soil.

Horizontal Construction



Grid Construction

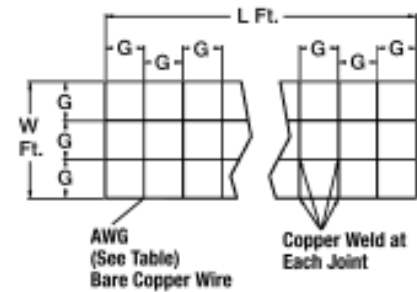
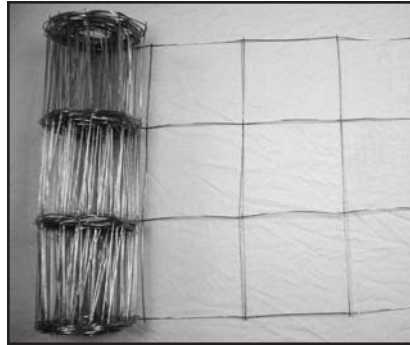


E-109

BURNDY® GRIDMAX®

Grounding, Personnel Safety Mats,
Equipotential Bonding, Pool and Spa
Grounding

Features & Benefits

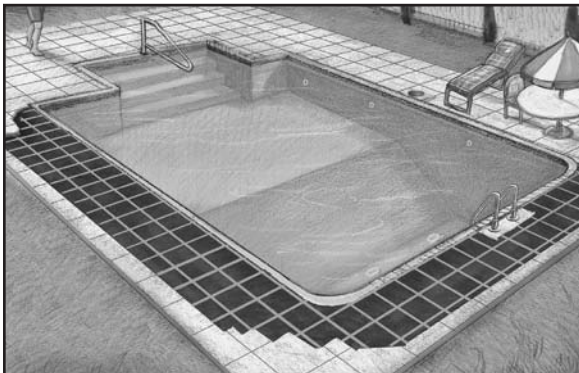


E-110

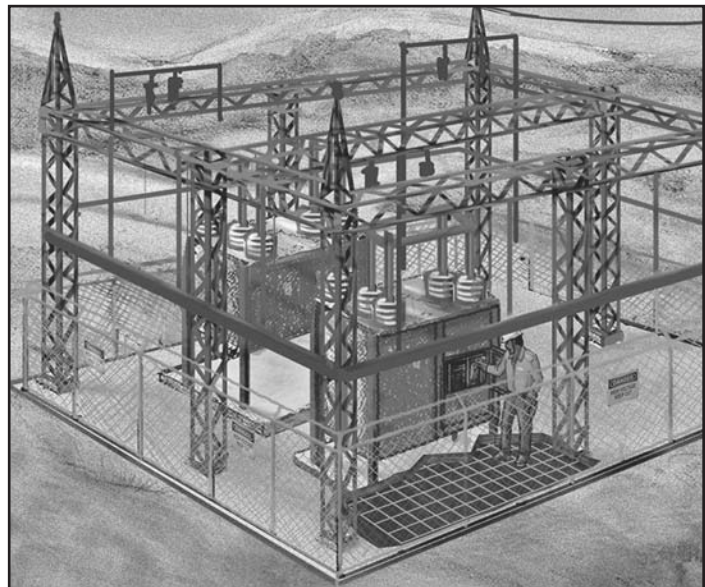
- Manufactured from bare solid copper
- Spaced on 4", 6" or 12" centers
- Copper to copper weld with 15% silver
- Furnished in sections with lengths from 4' to 100'
- Easily and economically installed using BURNDYWeld®, HYGROUND® or our Mechanical connectors
- Sizes made specifically for the Pool and Spa market 3' x 100' and 3' x 50'. But can be used where any large area grounds are required

Catalog Number	Conductor	Dimensions		
		G (spacing)	L (length)	W (width)
BGM3100	8 AWG	12"	100'	3'
BGM3050	8 AWG	12"	50'	3'
BGM640044	6 AWG	4"	4'	4'
BGM640068	6 AWG	8"	6'	4'
BGM64006	6 AWG	12"	6'	4'
BGM640066	6 AWG	6"	6'	4'

Call for custom mats



Example:
GRIDMAX®
3' wide in pool area

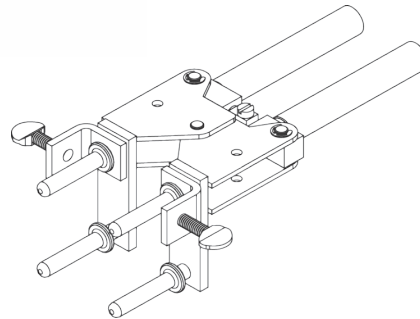


Example:
GRIDMAX®
Personnel Safety Mat

**B-106 & B-107
HANDLE CLAMPS**

BURNDYWeld® Handle Clamps make possible the use of many different sizes and types of molds with only two different clamps. The two handle clamps are catalog numbers **B-106** & **B-107**. These will fit 95% of all standard BURNDYWeld® molds.

1. Use B-106 clamps for all molds having a price key 4, 7, 17, 22 or 24. These molds are a nominal 3 1/8" x 3 1/8" square.
2. Use B-107 clamps for all molds having a price key 5, 6, 8 or 23. These molds are a nominal 4" x 4" square.
3. All molds having a price key 2, 3, 9, 10, 11, 12, 14, 15 or 16 have an attached frame; separate handles are not required.

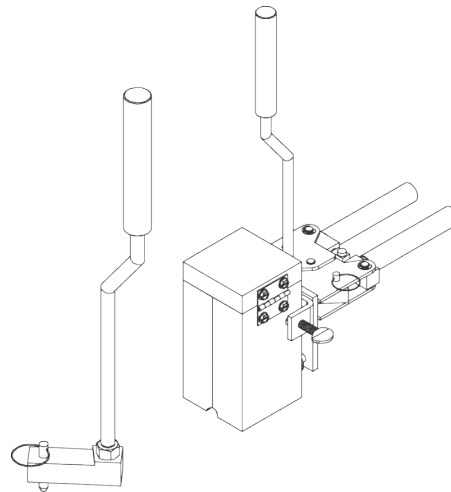


E-111

**B40-0106-75 HANDLE
ATTACHMENT**

This Handle Attachment is used to hold Price Key 14 molds in position. It easily attaches to the B-106 Handle Clamp. This Handle Attachment can be used with weld types BCRE-1 and BCRE-4.

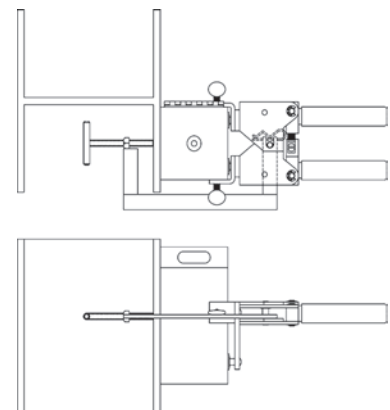
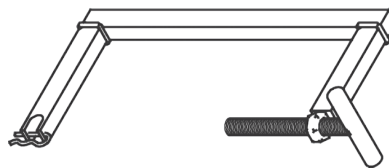
Catalog Number: **B40-0106-75**



MOLD SUPPORT CLAMP

The Mold Support Clamp is used to hold a mold in position on a vertical steel column or angle. It is easily attached to the Handle Clamps. The Mold Support Clamp can be used with weld types BCS-3, BCS-18, BCS-23 and BCS-27.

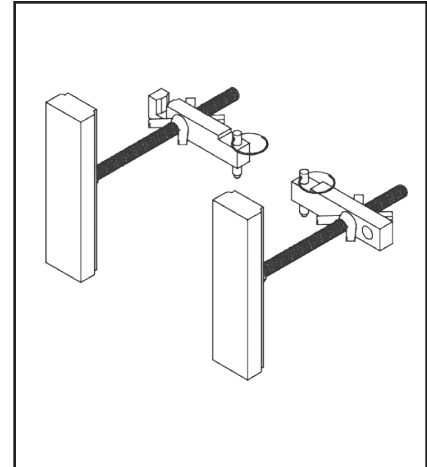
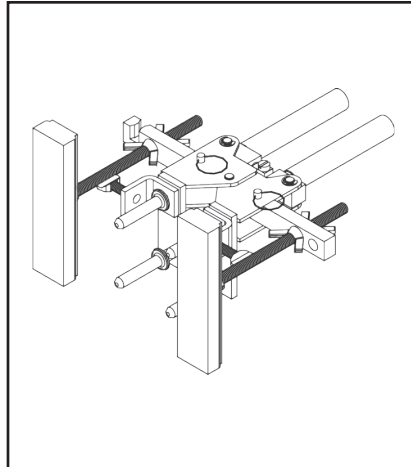
Catalog Number: **B40-3657-00**



VERTICAL MAGNETIC CLAMPS

Magnetic Clamps are used to hold a mold in position on a vertical steel surface. The magnetic clamp can be purchased complete with B-106 Handle Clamps or if you already have a set of handle clamps, you can order just the magnetic mounting assembly. The mounting assembly can easily be mounted on the prongs of your existing B-106 handle clamps. A minimum of 10" is required.

E-112



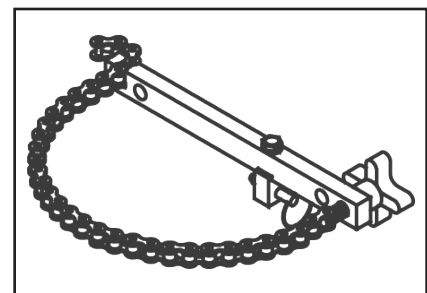
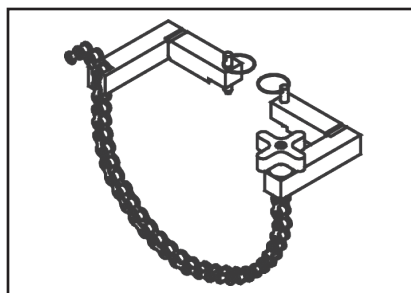
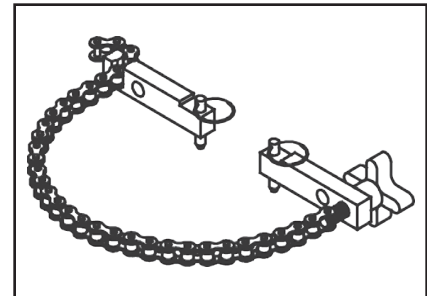
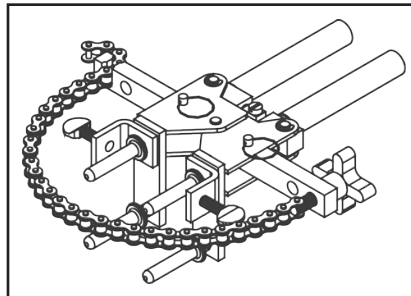
Magnetic Clamps with B106 Handle		
Catalog Number	Fits Molds w/ Price Key	For Use with Weld Types
B40-4431-00	4 & 17	BCS-3, 4, 7 & 23

Magnetic Clamp Only		
Catalog Number	Fits Handle Clamps	For Use with Weld Types
B40-4431-00	B-106 & B-107	BCS-3, 4, 7 & 23

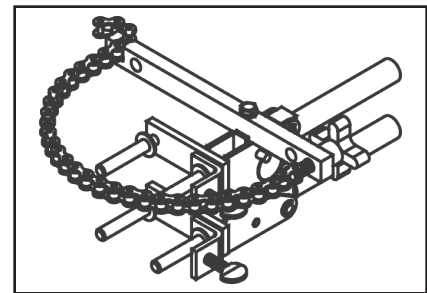
HORIZONTAL & VERTICAL CHAIN CLAMPS

BURNDYWeld®

Chain Clamps are used to hold a mold in position on horizontal or vertical pipe up to 4" in diameter. For larger pipe a 20" chain extension is available to allow the chain clamps to be used on pipe up to 10" in diameter. The chain clamp can be purchased complete with B-106 or B-107 Handle Clamps or if you already have a set of handle clamps, you can order just the chain clamp and mounting assembly. The mounting assembly can easily be attached to your existing handle clamps. 20" Chain Extension catalog number: B40-0106-27.



Chain Clamps			
Catalog Number	Fits Molds W/Price Key	For Use With Weld Types	Pipe Position
B106-32	4, 17, 22 & 24	BCS-3, 4, 7, 23 & BCRE-6	Vertical
B107-32	5, 6 & 23	BCS-3, 4, 7 & 23	Vertical
B106-37	4, 17, 22 & 24	BCS-1, 2, 5, 8 & 9	Horizontal
B106-41	4, 17	BCS-6, 18 & BCRE-3	Vertical

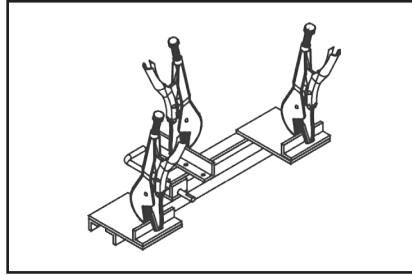


Chain Clamp Only (Handle Clamps Not Included)			
Catalog Number	Fits Handle Clamp	For Use With Weld Types	Pipe Position
B40-0106-76	B-106 & B-107	BCS-3, 4, 7, 23 & BCRE-6	Vertical
B40-0106-78	B-106 & B-107	BCS-1, 2, 5, 8 & 9	Horizontal
B40-0106-77	B-106 & B-107	BCS-6, 18 & BCRE-3	Vertical

**BURNDYWeld®
ACCESSORIES**

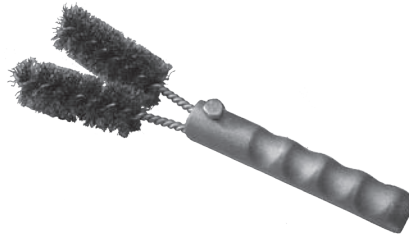
B38-0330-00 CABLE CLAMP

The BURNDYWeld® Cable Clamp is recommended for holding a wide range of cables properly in place in molds when welding cables that are under tension. This prevents the cables from pulling out of the mold when the weld is made.



**CABLE CLEANING & CARD
CLOTH BRUSH**

The Cable Cleaning Brush is recommended for cleaning heavily oxidized cables. The V-shape brushes permit their use over a wide range of cable sizes. Brush assembly consists of a handle with two stiff wire bristle brushes that are rotatable, for longer life and are replaceable.



The Card Cloth Brush is used for cleaning large conductors and bus bar. It has short stiff bristles. These brushes are for cleaning cable only, not molds.

The Mold Cleaning Brush **B38-3922-00** is used to clean the graphite mold without scratching the mold.

Description	Catalog Number
Cable Cleaning Brush	B38-0315-00
Replacement Brush	B38-0135-01
Card Cloth Brush	B38-0306-00
Mold Cleaning Brush	B38-3922-00

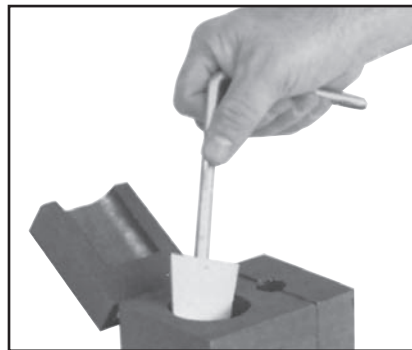


MOLD CLEANERS

Mold Cleaners are used to clean the slag from molds that are not split through the crucible.

B40-0319-01 for cartridge sizes #15 through #65

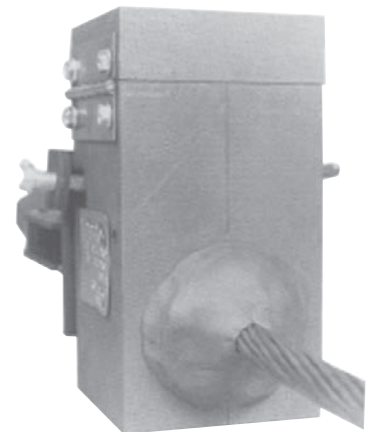
B40-0319-03 for cartridge sizes #90 through #500



PACKING MATERIAL

Packing material is used to prevent the molten weld metal from leaking out of the mold. When the cable opening becomes worn from heavy use, the packing material may be used to prolong mold use. It is also used around 7 strand cable to prevent leaking. Packing material comes in a 1 lb. or 5 lb. package.

Description	Catalog Number
1 lb. package	B38412900
5 lb. package	B38412905



E-113

**BURNDYWeld®
 ACCESSORIES**



E-114

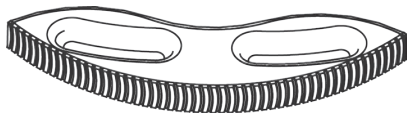
BURNDYWeld® TOOL KIT

- B38-0302-00** Tool Kit with Tools Shown except Rasp
- B38-0302-02** Tool Kit with Tools Shown and Rasp
- B38-0303-00** Tool Box only

BURNDYWeld® TOOLS

The **B38-0309-00** Flint Ignitor is used to ignite the starting powder. Each mold that is sold with a frame has a Flint Ignitor included. For added safety a Flint Ignitor extension is available, catalog number **B38-0904-00**, that attaches to the **B38-0309-00** Flint Ignitor. This allows installers to stay approximately 36" away from the mold. To order replacement flints, specify part number **B38-0309-01**.

- B38-0309-00** Flint Ignitor
- B38-0304-00** 8" File
- B38-0307-00** Crimping Tool
- B38-3922-00** Mold Cleaning Brush
- B38-0308-00** 6" Screwdriver
- B38-0305-00** Wire Brush
- B38-0101-00** Rasp
- B38-0306-00** Card Cloth Brush



B38-0101-00 RASP

This tempered steel, curved rasp is recommended for removing rust and mill scale from steel and cast iron surfaces. The blade is replaceable. To order replacement rasp blade, specify catalog number **B38-0101-01**.

Not recommended for use on galvanized surfaces.



B38-0309-00 FLINT IGNITOR

The **B38-0309-00** Flint Ignitor is used to ignite the starting powder. Each mold that is sold with a frame has a Flint Ignitor included. For added safety a Flint Ignitor extension is available, catalog number **B38-0904-00**, that attaches to the **B38-0309-00** Flint Ignitor. This allows installers to stay approximately 36" away from the mold.

To order replacement flints, specify part number **B38-0309-01**.

GROUND ROD DRIVING SLEEVES

Ground Rod Driving Sleeves are placed over the top of a ground rod while driving it into the ground. This prevents the top from mushrooming or flaring out. Ground rod driving sleeves are available in sizes to fit all standard unthreaded ground rods.

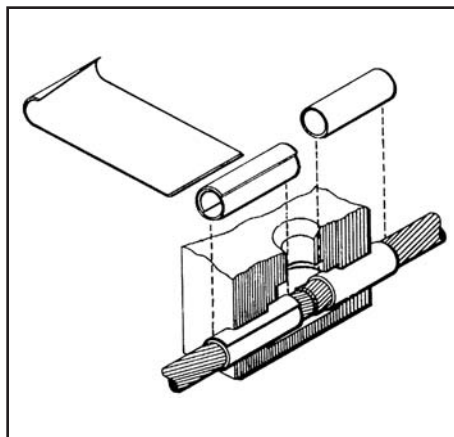
Catalog Number	For Use On
B38-3662-01	1/2" Copper Clad or Steel Ground Rod
B38-3662-02	5/8" Copper Clad Ground Rod
B38-3662-05	5/8" Steel Ground Rod
B38-3662-03	3/4" Copper Clad Ground Rod
B38-3662-06	3/4" Steel Ground Rod
B38-3662-04	1" Copper Clad Ground Rod



E-115

SHIM STOCK AND ADAPTER SLEEVES

BURNDYWeld® molds designed for larger cable sizes can be used on smaller diameter cables if copper adapter sleeves or shim stock are utilized. The copper shim stock, .0108" x 1-1/2" x 3", is normally wrapped around cable until the diameter is about equal to the cable opening. A tight fit is not necessary as the shim stock will unwrap slightly and prevent leakage of weld metal. To order shim stock use part number **B38-0329-00**. Shim stock comes 100 pieces per box.



For Use on Cable Size		Part Number	Use in Mold Size	Sleeve Dimensions		
Stranded	Solid			O.D. Size	I.D.	Length
#12, #14	#10, #12, #14	BA-200	#6 Str. & Sol.	0.15	0.11	1.00
#9, #10	#8, #9, #10	BA-208	#4 Sol.	0.20	0.14	1.00
#7, #8, #10	#6, #8	BA-201	#4	0.22	0.17	1.00
#6	#5	BA-202	#2	0.29	0.19	1.00
#4, #5	#3, #4	BA-207	#2	0.30	0.24	1.00
#4	#2	BA-204	#1	0.34	0.24	1.00
#2	#1	BA-203	1/0	0.37	0.30	1.00
#1	1/0	BA-209	2/0	0.42	0.35	1.00
1/0, #1	2/0	BA-205	3/0 & 4/0 Sol.	0.46	0.38	1.00
2/0, 1/0	3/0	BA-240	4/0	0.52	0.43	1.50
4/0	—	BA-211	300 kcmil	0.62	0.54	1.25
250 kcmil	—	BA-212	350 kcmil	0.67	0.59	1.25
350, 400 kcmil	—	BA-213	500 kcmil	0.81	0.76	1.50
250, 300, 350 kcmil	—	BA-214	500 kcmil	0.81	0.70	1.50
750, 800 kcmil	—	BA-215	1000 kcmil	1.15	1.05	1.50

Wiley Solutions

Whether installing miles of wire or acres of solar modules, the components no bigger than a few inches that can give the project long-term success and peace of mind. As PV technology has evolved, BURNDY continues to provide solutions to the most challenging applications requirements.

The Wiley product offering encompasses varied products offering to suit the application at hand.

ACE Conduit Entry Boxes offer side and bottom conduit drill-out for easy conduit routing and a choice of pass-through or combiner box with bracket.

Bonding Jumpers of corrosion resistant, tin-plated copper are available with or without the Wiley WEEB® washer; UL 467 and UL 2703 Listed.

E-116

Clamping Solutions offer reliability for use throughout the lifetime of the PV system. Mid-Clamp and End-Clamp designs for all types of solar module bonding.

Grounding Lugs available with or without the WEEB® washer and requires no surface preparation of the rail or module.

WEEB® Washer (Washer Electrical Equipment Bond) eliminate the need for older, more expensive grounding methods. Corrosion-resistant 304 stainless steel construction available in a myriad of styles all providing excellent conductivity without oxidation risk to bond the PV module frame with the metal racking structure.

Wiley Cable Clips simplify wire management and provide a cleaner aesthetic to solar PV arrays. UL 1565 Listed and for use with a broad range of cable combinations and sizes. No tools required for installation and compatible on modules with a flange thickness range of 1.3 to 2.5mm and a variety of rails.

Wiley Bundle Straps UL62275 Listed with vinyl jacket designed to help protect cable insulation from damage and lasts the lifetime of the PV system.

Insulated Bundle Straps and Insulated P-Clips are also available made of vinyl coated steel protecting cables from vibration and insulation damage.



ACE CONDUIT ENTRY BOX

The ACE Conduit Entry Box makes quick and simple transitions from USE-2 or PV array wire to conduit protected THWN-2 wire.

The box features a compact two-piece UV resistant, NEMA 3R rated enclosure that allows ample wiring space and is compatible with any conduit type.

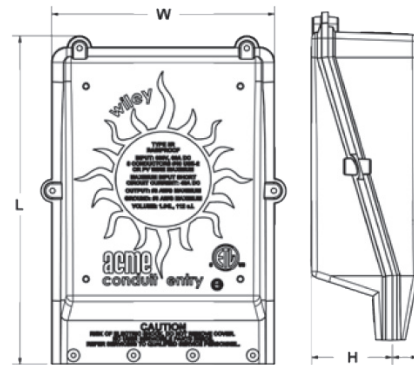


Features & Benefits

- UL 1741 Listed
- Rated for 1000V
- Convenient side and bottom conduit drill-out for easy conduit routing
- Choice of pass-through or combiner box with bracket
- Compatible with any conduit type
- Preassembled for quick and easy installation
- Custom configurations available upon request

E-117

Length inch [mm]	Width inch [mm]	Height inch [mm]	Input Wire Diameter Range inch [mm]	Equipment Ground Conductor Type	Equipment Ground Conductor Diameter Range	Acceptable Conduit Sizes	Drill Out
10.07 [256.68]	6.83 [173.53]	3.27 [83.03]	0.20-0.27 [5.00-6.80] 10-12 AWG USE-2/ PV V	Bare Solid or jacketed only	0.16-0.27 [4.00-6.80]	.75, 1.00 [19.05, 25.44]	Side, Bottom



Catalog Number	ACE Configuration	Terminal Block	Terminal Block Internal Bus	Fuse Holder	Fuse Combiner Bus	Grounding Terminal
ACE-PT	Pass-through using Butt Splices/Wire Nuts (no DIN rail)	N/A	N/A	N/A	N/A	N/A
ACE-PTD	Pass-through using Butt Splices/Wire Nuts (with DIN rail)					
ACE-1P	1-String Pass-through	2	N/A	N/A	N/A	1
ACE-2P	2-String Pass-through	4	N/A	N/A	N/A	1
ACE-3P	3-String Pass-through	6	N/A	N/A	N/A	2
ACE-4P	4-String Pass-through	8	N/A	N/A	N/A	2
ACE-2C	2-String Combiner	2	N/A	Not Required for 2-String Combiner	N/A	1
ACE-3C	3-String Combiner	2	1X2-Pole	3	1X3-Pole	2
ACE-4C	4-String Combiner	2	1X2-Pole	4	1X4-Pole	2
ACE-3C-1GND	3 String Combiner with 1 Ground Terminal	3	2X2-Pole	3	1X3-Pole	1
ACE-3C-DF	3-String Dual Fuse Combiner	N/A	N/A	6	1X3-Pole	1

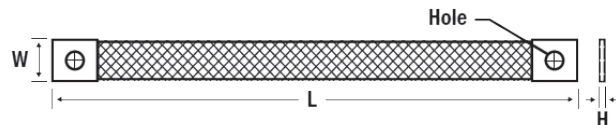


BONDING JUMPER

Constructed of corrosion resistant, tin-plated, braided copper, the Wiley line of bonding jumpers are high quality solutions for your solar PV system.

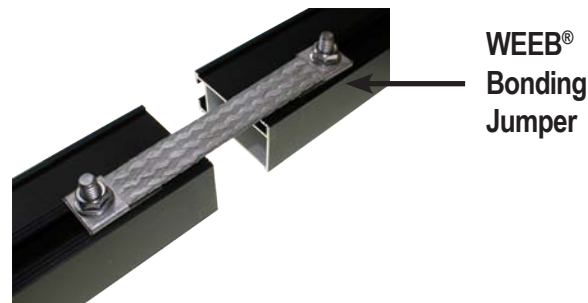
The WEEB® Bonding Jumper is used to create an electrical connection between two pieces of anodized aluminum or any electrically conductive material. This maintains electrical continuity over long spans or air gaps between metal structures.

The Wiley Bonding Jumper is used to create an electrical connection between two pieces of galvanized steel. Compatible with 1/4" hardware, the Wiley Bonding Jumpers come in custom lengths upon request.



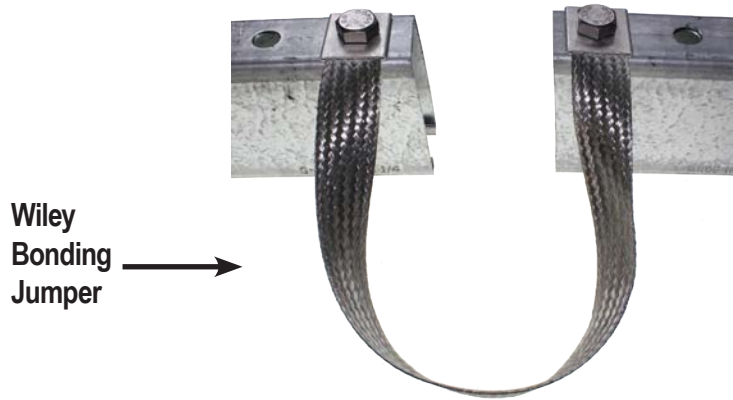
Features & Benefits

- UL 467 Listed
- UL 2703 Listed
- Corrosion resistant
- Equivalent to 6AWG copper wire
- Available:
 - With or without WEEB® washer technology
 - Assembled and unassembled
 - With or without installation hardware
- In-stock standard lengths from 6" to 36" (custom lengths available upon request)
- Reliability for use throughout the lifetime of the PV system



WEEB® Bonding Jumpers:		<i>Utilizes proven WEEB® washer technology to bite through any non-conductive coatings</i>					
Catalog Number	Length inch [mm]	Width inch [mm]	Height inch [mm]	Hole Size inch [mm]	Gauge	Hardware	Assembled
WEEB-BNDJMP6.7	9.00 [228.60]	0.71 [18.00]	0.08 [2.03]	0.26 [6.53]	6 AWG	WEEB® washer included; 1/4" mounting hardware NOT included	N
WEEB-BND.JMP6.7AS						WEEB® washer included; 1/4" mounting hardware included	Y
WEEB-BNDJMP8.0	6.00 [152.40]	0.87 [22.00]	0.10 [2.54]	0.32 [8.20]		WEEB® washer included; M8 or 5/16" mounting hardware NOT included	N
WEEB-BNDJMP8.0AS						WEEB® washer included; M8 or 5/16" mounting hardware included	Y
WEEB-BNDJMP8.2	10.00 [254.00]	0.71 [18.00]	0.08 [2.03]	0.32 [8.20]		WEEB® washer included; M8 or 5/16" mounting hardware NOT included	N
WEEB-BNDJMP8.2MS						WEEB® washer included; M8 flat washer included	N
WEEB-BNDJMP9	9.00 [228.60]	0.71 [18.00]	0.08 [2.03]	0.26 [6.53]		WEEB® washer included; 1/4" mounting hardware NOT included	N
WEEB-BNDJMP12						WEEB® washer included; 1/4" mounting hardware NOT included	N
WEEB-BNDJMP12AS	12.00 [304.80]	0.71 [18.00]	0.08 [2.03]	0.26 [6.53]		WEEB® washer included; 1/4" mounting hardware included	Y
WEEB-BNDJMP18						WEEB® washer included; 1/4" mounting hardware NOT included	N
WEEB-BNDJMP18AS	18.00 [457.20]	0.71 [18.00]	0.08 [2.03]	0.26 [6.53]		WEEB® washer included; 1/4" mounting hardware included	Y
WEEB-BNDJMP24						WEEB® washer included; 1/4" mounting hardware NOT included	N
WEEB-BNDJMP24AS	24.00 [609.80]	0.71 [18.00]	0.08 [2.03]	0.26 [6.53]		WEEB® washer included; 1/4" mounting hardware included	Y
WEEB-BNDJMP36						WEEB® washer included; 1/4" mounting hardware NOT included	N
WEEB-BNDJMP36AS	36.00 [914.40]	0.71 [18.00]	0.08 [2.03]	0.26 [6.53]		WEEB® washer included; 1/4" mounting hardware included	Y

Bonding Jumper
(Continued)



E-119

Wiley Bonding Jumpers:		<i>Perfect for tracker applications, galvanized steel or anywhere a WEEB® washer is not required</i>				
Catalog Number	Length	Width	Height	Hole Size	Gauge	Hardware Size
WILEYBRAID6	6.00 [152.40]	0.71 [18.00]	0.08 [2.03]	0.26 [6.53]	6 AWG	M6 or 1/4" No WEEB® washer or mounting hardware included
WILEYBRAID9	9.00 [228.60]					
WILEYBRAID12	12.00 [304.80]					
WILEYBRAID18	18.00 [457.20]					
WILEYBRAID24	24.00 [609.80]					
WILEYBRAID30	30.00 [762.00]					
WILEYBRAID36	36.00 [914.40]					
WILEYBRAID6-516	6.00 [152.40]	0.71 [18.00]	0.08 [2.03]	0.32 [8.20]	6 AWG	M8 or 5/16" No WEEB® washer or mounting hardware included
WILEYBRAID9-516	9.00 [228.60]					
WILEYBRAID12-516	12.00 [304.80]					
WILEYBRAID18-516	18.00 [457.20]					
WILEYBRAID24-516	24.00 [609.80]					
WILEYBRAID30-516	30.00 [762.00]					
WILEYBRAID36-516	36.00 [914.40]					
WILEYBRAID6-38	6.00 [152.40]	0.87 [22.00]	0.14 [3.65]	0.40 [10.20]	6 AWG	M10 or 3/8" No WEEB® washer or mounting hardware included
WILEYBRAID9-38	9.00 [228.60]					
WILEYBRAID12-38	12.00 [304.80]					
WILEYBRAID18-38	18.00 [457.20]					
WILEYBRAID24-38	24.00 [609.80]					
WILEYBRAID30-38	30.00 [762.00]					
WILEYBRAID36-38	36.00 [914.40]					

Bonding Jumper
(Continued)

E-120

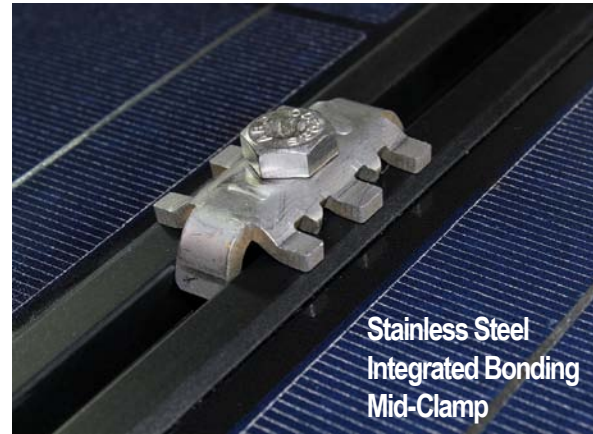
Wiley Bonding Jumpers:		<i>Perfect for tracker applications, galvanized steel or anywhere a WEEB® washer is not required</i>				
Catalog Number	Length	Width	Height	Hole Size	Gauge	Hardware Size
WILEYBRAID6-12	6.00 [152.40]	1.20 [30.48]	0.12 [3.02]	0.56 [14.22]	6 AWG	M12 or 1/2" No WEEB® washer or mounting hardware included
WILEYBRAID8-12	8.00 [203.20]					
WILEYBRAID10-12	10.00 [254.00]					
WILEYBRAID12-12	12.00 [304.80]					
WILEYBRAID18-12	18.00 [457.20]					
WILEYBRAID24-12	24.00 [609.80]					
WILEYBRAID30-12	30.00 [762.00]					
WILEYBRAID36-12	36.00 [914.40]					
WILEYBRAID6-916	6.00 [152.40]	1.20 [30.48]	0.12 [3.02]	0.63 [15.88]	6 AWG	M14 or 9/16" No WEEB® washer or mounting hardware included
WILEYBRAID8-916	8.00 [203.20]					
WILEYBRAID10-916	10.00 [254.00]					
WILEYBRAID12-916	12.00 [304.80]					
WILEYBRAID18-916	18.00 [457.20]					
WILEYBRAID24-916	24.00 [609.80]					
WILEYBRAID30-916	30.00 [762.00]					
WILEYBRAID36-916	36.00 [914.40]					
WILEYBRAID6-34	6.00 [152.40]	1.20 [30.48]	0.12 [3.02]	0.81 [20.45]	6 AWG	M20 or 3/4" No WEEB® washer or mounting hardware included
WILEYBRAID8-34	8.00 [203.20]					
WILEYBRAID10-34	10.00 [254.00]					
WILEYBRAID12-34	12.00 [304.80]					
WILEYBRAID18-34	18.00 [457.20]					
WILEYBRAID24-34	24.00 [609.80]					
WILEYBRAID30-34	30.00 [762.00]					
WILEYBRAID36-34	36.00 [914.40]					

CLAMPING SOLUTIONS

Our universal mid-clamp and adjustable end clamp designs accommodate various module thicknesses. Plus the Wiley Mid-Clamp uses proven WEEB® technology for integrated bonding as well as a quick and easy installation.

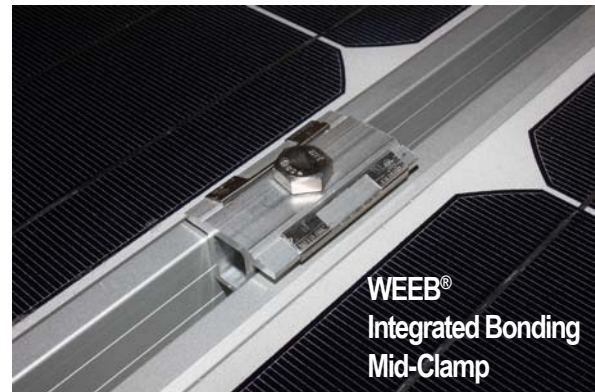
Features & Benefits

- UL 467 Listed
- UL 2703 Recognized
- Low profile design
- Increased inspectability
- Available in mill finish
- Custom designs and finishes available upon request
- Reliability for use throughout the lifetime of the PV system



E-121

Stainless Steel Integrated Bonding Mid-Clamp					
304 Stainless Steel integrated bonding mid-clamp for module-to-module bonding					
Catalog Number	Length inch [mm]	Width inch [mm]	Height inch [mm]	Hole Size inch [mm]	Module Spacing
BMCSS8W17	1.91 [48.61]	1.32 [33.58]	0.48 [12.30]	0.33 [8.50]	0.67 [17.00]
BMCSS6W17	1.91 [48.61]	1.32 [33.58]	0.48 [12.30]	0.26 [6.60]	0.67 [17.00]



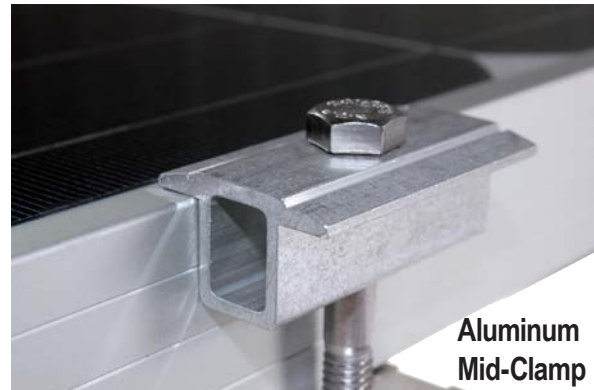
WEEB® Integrated Bonding Mid-Clamp					
Integrated bonding mid-clamp for module-to-module bonding					
Catalog Number	Length inch [mm]	Width inch [mm]	Height inch [mm]	Hole Size inch [mm]	Finish
WEEB-BMC2-516	2.00 [50.08]	1.17 [29.70]	0.75 [19.05]	0.32 [8.20]	mill
WEEB-BMC2-516BK					black anodized
WEEB-BMC2-516CL					clear anodized
WEEB-BMC2-14	2.00 [50.08]	1.17 [29.70]	0.75 [19.05]	0.26 [6.60]	mill
WEEB-BMC2-14BK					black anodized
WEEB-BMC2-14CL					clear anodized

Clamping Solutions

(Continued)

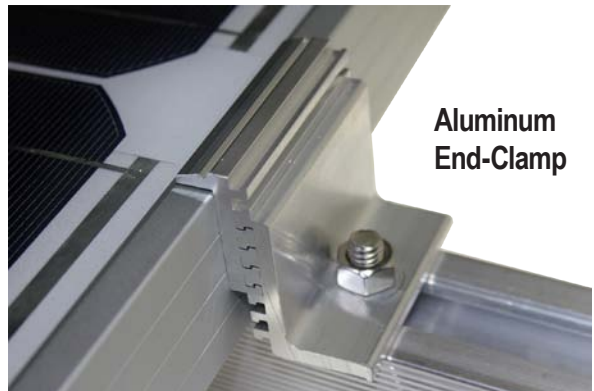
E-122

Mid-Clamp					
<i>Aluminum mid-clamp for securing modules to the mounting structure</i>					
Catalog Number	Length inch [mm]	Width inch [mm]	Height inch [mm]	Hole Size inch [mm]	Finish
BMC2-516	2.00 [50.80]	1.17 [29.70]	0.75 [19.05]	0.32 [8.20]	mill
BMC2-516BK					black anodized
BMC2-516CL					clear anodized
BMC2-14	2.00 [50.80]	1.17 [29.70]	0.75 [19.05]	0.260 [6.60]	mill
BMC2-14BK					black anodized
BMC2-14CL					clear anodized



**Aluminum
Mid-Clamp**

End-Clamp					
<i>Aluminum end-clamp for securing modules to the mounting structure</i>					
Catalog Number	Length inch [mm]	Width inch [mm]	Height inch [mm]	Hole Size inch [mm]	Finish
BEC2-516	2.00 [50.80]	0.76 [19.35]	Adjustable from	0.32 [8.20]	mill
BEC2-516BK					black anodized
BEC2-516CL					clear anodized
BEC2-14	2.00 [50.80]	0.76 [19.35]	1.38 - 2.36 [35.05 - 59.94]	0.26 [6.60]	mill
BEC2-14BK					black anodized
BEC2-14CL					clear anodized



**Aluminum
End-Clamp**

GROUNDING LUG

Constructed of corrosion resistant, tin-plated copper, the Wiley line of grounding lugs are high quality solutions for your solar PV system. The tin-plated lug assures minimum contact resistance and protection against corrosion. The low profile of the grounding lug allows it to be installed in a variety of positions with one solid or stranded copper wire (14 AWG to 6 AWG), or two copper wires (12 AWG to 10 AWG). Copper wire is secured by a 1/4-28 stainless steel screw, which is horizontal to the tang. This allows for easy access when mounted under a PV module. The result is a continuous ground on all solar applications.

The WEEB® Grounding Lug is installed using stainless steel mounting hardware. When the hardware is tightened, the WEEB® washer's specialized teeth embed into anodized aluminum or any electrically conductive metal to establish a gas tight electrical connection.

The Wiley Grounding Lug is available unassembled, without installation hardware, and with standard hold sizes of 1/4" and 5/16" (M8). Perfect for galvanized steel applications or anywhere a WEEB® washer is not required.

Features & Benefits

- UL 467 Listed
- UL 2703 Listed Made of corrosion-resistant, tin-plated copper
- Design ensures a quick and easy installation
- Available:
 - With or without WEEB® washer technology
 - Assembled and unassembled
 - With or without installation hardware
- No surface preparation required on the rail or module
- Custom designs available upon request
- Reliability for use throughout the lifetime of the PV system



WEEB® Lug



Wiley Lug

WEEB® Grounding Lug						
<i>Utilizes proven WEEB® washer technology to bite through any non-conductive coatings</i>						
Catalog Number	Length inch [mm]	Width inch [mm]	Height inch [mm]	Hole Size inch [mm]	Mounting Hardware	Assembled
WEEB-LUG-6.7	1.57 [40.00]	0.71 [18.00]	0.47 [12.00]	0.27 [6.76]	1/4" hardware included	N
WEEB-LUG-6.7AS						
WEEB-LUG-8.0		0.86 [22.00]		0.32 [8.20]	M8 or 5/16" hardware not included	N
WEEB-LUG-8.0AS						5/16" hardware included
WEEB-LUG-8.0UN						N
WEEB-LUG-15.8		0.71 [18.00]		0.41 [10.30]	M8 or 5/16" hardware not included	N
WEEB-LUG-8.2						
WEEB-LUG-10.3		0.86 [22.00]				N
Wiley Grounding Lug						
<i>Perfect for galvanized steel applications or anywhere a WEEB® washer is not required</i>						
WILEYLUG6.7	1.57 [40.00]	0.71 [18.00]	0.47 [12.00]	0.27 [6.76]	1/4" hardware not included	N
WILEYLUG8.0		0.86 [22.00]				
WILEYLUG8.2		0.709 [18.00]				
WILEYLUG15.8						

Grounding Lug
(Continued)

E-124



WEEB® Grounding Lug HS



Wiley Grounding Lug HS

WEEB® Grounding Lug HS						
<i>Utilizes proven WEEB® washer technology to bite through any non-conductive coatings and features a hex head socket cap terminal screw</i>						
Catalog Number	Length inch [mm]	Width inch [mm]	Height inch [mm]	Hole Size inch [mm]	Mounting Hardware	Assembled
WEEB-LUG-6.7HS	1.57 [40.00]	0.71	0.47 [12.00]	0.27 [6.76]	1/4" hardware included	N
WEEB-LUG-6.7ASHS		[18.00]				Y
WEEB-LUG-8.0HS		0.86		0.32 [8.20]	M8 or 5/16" hardware not included	N
WEEB-LUG-8.0UNHS		[22.00]				5/16" hardware included
WEEB-LUG-8.0ASHS		0.71		M8 or 5/16" hardware not included	N	
WEEB-LUG-15.8HS		[18.00]			N	
WEEB-LUG-8.2HS					N	
Wiley Grounding Lug HS						
<i>Perfect for galvanized steel applications or anywhere a WEEB® washer is not required; features a hex head socket cap terminal screw</i>						
Catalog Number	Length inch [mm]	Width inch [mm]	Height inch [mm]	Hole Size inch [mm]	Mounting Hardware	Assembled
WILEYLUG6.7HS	1.57 [40.00]	0.71	0.47 [12.00]	0.27 [6.76]	1/4" hardware not included	N
WILEYLUG8.0HS		0.86				0.32 [8.20]
WILEYLUG8.2HS		0.71		N		
WILEYLUG15.8HS		[18.00]				

WEEB® WASHER (Washer Electrical Equipment Bond)

A revolution in the solar industry, WEEB® washers eliminate the need for older, more expensive grounding methods while also significantly reducing the amount of labor and materials used in installations.

Here's how it works: When the WEEB® is inserted between the module frame and mounting structure, the teeth of the WEEB® pierce the anodized coating. The result is excellent conductivity without oxidation — bonding the PV module frame with the metal racking structure. Essentially, the module and rail become one singular piece of metal, creating an electrical path to ground.



E-125

Features & Benefits

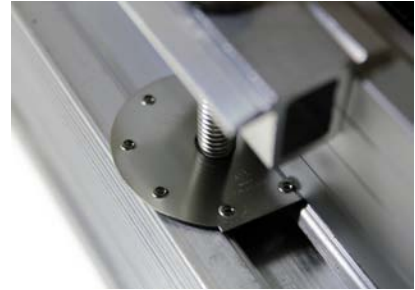
- UL 467 Listed
- UL 2703 Recognized; UL 2703 Listed with certain systems
- Corrosion-resistant 304 stainless steel construction
- Reliability for use throughout the lifetime of the PV system
- Rated for outdoor use
- Multiuse
- Custom designs available upon request



WEEB-BMC shown

Integrated Bonding Clamp WEEB® Washers						
<i>WEEB® clamp washers easily snap or slide onto a mid-clamp and/or end-clamp for quick installation</i>						
Line Image	Catalog Number	Length inch [mm]	Width inch [mm]	Height inch [mm]	Hole Size inch [mm]	Type
	WEEB-BMC	1.57 [40.00]	0.30 [7.60]	0.19 [4.83]	N/A	Clip On
	WEEB-M-KR	1.65 [41.90]	1.40 [35.80]	0.22 [5.50]	0.33 [8.38]	Slide On
	WEEB-MSNR516	1.50 [38.00]	1.57 [40.00]	0.25 [6.40]	0.43 [11.00]	Slide On

WEEB® Washer
(Washer Electrical Equipment Bond)
 (Continued)



WEEB-DSKBD34
shown

Universal WEEB® Disk Washers - Top Clamp Applications						
<i>Universal WEEB® Disk Washers allow for a wide range of compatibility across various racking systems</i>						
Line Image	Catalog Number	Length inch [mm]	Width inch [mm]	Height inch [mm]	Hole Size inch [mm]	Type
	WEEB-DSKBD34	1.57 [40.00]	1.57 [40.00]	0.07 [1.75]	0.32 [8.10]	Disk
	WEEB-DSK516-31*	1.22 [31.00]	1.22 [31.00]	0.07 [1.75]	0.32 [8.10]	Disk
	WEEB-DSK516-45*	1.77 [45.00]	1.77 [45.00]	0.07 [1.75]	0.32 [8.10]	Disk

* Custom part available upon request

Universal WEEB® Disk Washers - Bottom Mount Applications						
<i>Universal WEEB® Disk Washers allow for a wide range of compatibility across various racking systems</i>						
Line Image	Catalog Number	Length inch [mm]	Width inch [mm]	Height inch [mm]	Hole Size inch [mm]	Type
	WEEB-DSK14	0.94 [24.10]	0.94 [24.10]	0.07 [1.75]	0.26 [6.75]	Disk
	WEEB-DSK516	1.01 [25.75]	1.01 [25.75]	0.07 [1.75]	0.32 [8.10]	Disk
	WEEB-DSK38	1.18 [30.88]	1.18 [30.88]	0.07 [1.75]	0.39 [9.80]	Disk
	WEEB-DSK12	1.39 [35.38]	1.39 [35.38]	0.07 [1.75]	0.51 [13.10]	Disk



WEEB-DSK516
shown

E-126

WEEB® Washer
(Washer Electrical Equipment Bond)
 (Continued)



WEEB-FBM516 shown

E-127

Universal Frame Bottom Mount WEEB® Washers						
<i>Universal WEEB® FBM washers are used in bottom mount applications</i>						
Line Image	Catalog Number	Length inch [mm]	Width inch [mm]	Height inch [mm]	Hole Size inch [mm]	Type
	WEEB-FBM14	1.78 [45.25]	1.67 [42.50]	0.12 [3.20]	0.26 [6.75]	Clip On
	WEEB-FBM516	1.81 [46.00]	1.78 [45.25]	0.12 [3.20]	0.32 [8.10]	Clip On

Bottom Mount WEEB® Washers						
<i>Bottom mounting WEEB® washers bond PV modules to the mounting structure at the module mounting holes; May have features that secure the WEEB® at holes, slots, or directly to the module frame prior to installation</i>						
Line Image	Catalog Number	Length inch [mm]	Width inch [mm]	Height inch [mm]	Hole Size inch [mm]	Type
	WEEB-UIR	0.71 [18.00]	0.71 [18.00]	0.03 [0.89]	0.26 [6.75]	Rigid
	WEEB-11.5	0.87 [22.10]	0.79 [20.20]	0.15 [4.00]	0.47 [12.00]	Rigid
	WEEB-9.5	0.71 [18.00]	0.59 [15.10]	0.12 [3.15]	0.39 [10.00]	Rigid
	WEEB-9.5NL	0.71 [18.00]	0.59 [15.10]	0.07 [1.74]	0.39 [10.00]	Rigid

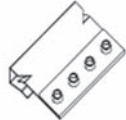
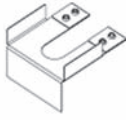
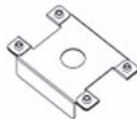
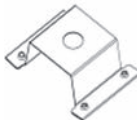

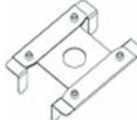
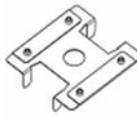
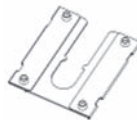



WEEB-UIR shown

WEEB® Washer
(Washer Electrical Equipment Bond)
 (Continued)


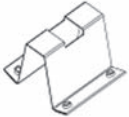

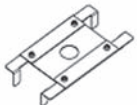
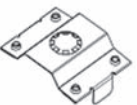
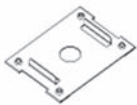
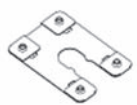




WEEB-PMC shown

Top Clamp WEEB® Washers						
<i>Top clamp mounting WEEBs bond PV modules to the mounting structure at mid-clamp locations; May be pre-installed or slid onto mid-clamp hardware prior to the securement of modules</i>						
Line Image	Catalog Number	Length inch [mm]	Width inch [mm]	Height inch [mm]	Hole Size inch [mm]	Type
	WEEB-ADC	0.94 [24.00]	0.73 [18.66]	0.15 [3.75]	N/A	Clip On
	WEEB-ADR	1.34 [34.00]	1.18 [30.00]	0.72 [18.25]	0.38 [9.75]	Rigid
	WEEB-ASR	1.51 [38.40]	1.00 [25.50]	0.24 [6.12]	0.32 [8.14]	Rigid
	WEEB-ATF	1.68 [42.66]	1.26 [32.00]	0.40 [10.11]	0.31 [7.94]	Flexible
	WEEB-BMC-1	1.49 [38.00]	0.30 [7.60]	0.12 [2.97]	N/A	Clip On
	WEEB-CCR	1.59 [40.33]	1.26 [32.00]	0.24 [6.05]	0.33 [8.43]	Rigid
	WEEB-CCR-2	1.59 [40.33]	1.49 [38.00]	0.24 [6.05]	0.33 [8.43]	Rigid
	WEEB-CMC	1.28 [32.50]	1.15 [29.10]	0.19 [4.83]	0.31 [8.00]	Slotted
	WEEB-DHF	1.06 [27.00]	1.13 [28.60]	0.60 [15.09]	0.30 [7.69]	Flexible

E-128

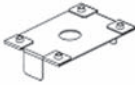
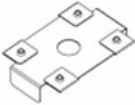







WEEB® Washer
(Washer Electrical Equipment Bond)
 (Continued)

Top Clamp WEEB® Washers						
<i>Top clamp mounting WEEBs bond PV modules to the mounting structure at mid-clamp locations; May be pre-installed or slid onto mid-clamp hardware prior to the securement of modules</i>						
Line Image	Catalog Number	Length inch [mm]	Width inch [mm]	Height inch [mm]	Hole Size inch [mm]	Type
	WEEB-DMC	0.86 [22.04]	0.71 [18.00]	0.30 [7.62]	0.25 [6.35]	Rigid
	WEEB-DPF	1.06 [27.00]	1.13 [28.60]	0.59 [15.09]	0.30 [7.69]	Flexible
	WEEB-DPR	1.00 [25.41]	0.98 [25.00]	0.98 [25.00]	0.31 [8.00]	Rigid
	WEEB-ECR	2.16 [55.00]	1.17 [29.70]	0.28 [7.09]	0.33 [8.43]	Rigid
	WEEB-JJR	1.25 [31.75]	0.91 [23.00]	0.33 [8.51]	0.37 [9.40]	Flexible
	WEEB-KMC	1.67 [42.42]	1.22 [31.00]	0.18 [4.70]	0.37 [9.40]	Rigid
	WEEB-KSR	1.39 [35.26]	0.99 [25.20]	0.10 [2.55]	0.31 [8.00]	Slotted
	WEEB-OCR	1.36 [34.50]	1.16 [29.50]	0.12 [3.17]	0.33 [8.38]	Slotted
	WEEB-OSF	1.48 [37.70]	1.26 [32.00]	0.39 [10.03]	0.37 [9.55]	Flexible


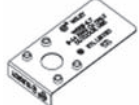
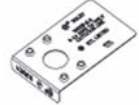

E-129

WEEB® Washer
(Washer Electrical Equipment Bond)
 (Continued)

E-130

Top Clamp WEEB® Washers						
<i>Top clamp mounting WEEBs bond PV modules to the mounting structure at mid-clamp locations; May be pre-installed or slid onto mid-clamp hardware prior to the securement of modules</i>						
Line Image	Catalog Number	Length inch [mm]	Width inch [mm]	Height inch [mm]	Hole Size inch [mm]	Type
	WEEB-PMC	1.58 [40.11]	1.10 [28.00]	0.25 [6.37]	0.31 [7.94]	Rigid
	WEEB-RPR	1.47 [37.41]	1.14 [28.85]	0.27 [6.88]	0.32 [8.20]	Rigid
	WEEB-SCR	1.72 [43.70]	0.65 [16.51]	0.28 [7.11]	0.37 [9.53]	Rigid
	WEEB-SMC-2	1.50 [38.10]	0.98 [25.00]	0.33 [8.38]	0.32 [8.20]	Slotted
	WEEB-SSF	1.33 [33.86]	0.59 [15.00]	0.67 [16.94]	0.34 [8.48]	Flexible
	WEEB-SSR	1.70 [43.20]	1.35 [34.30]	0.27 [6.86]	0.37 [9.53]	Rigid
	WEEB-STC	0.94 [24.00]	0.42 [10.58]	0.17 [4.42]	N/A	Rigid
	WEEB-UMC	1.49 [37.91]	0.71 [18.00]	0.29 [7.34]	0.25 [6.35]	Rigid
	WEEB-WMC	1.63 [41.30]	1.31 [33.50]	0.34 [8.61]	0.31 [7.94]	Rigid

WEEB® Washer
(Washer Electrical Equipment Bond)
 (Continued)

Replacement WEEB® Washers						
<i>Replacement WEEB® Washers for WEEB-LUG and WEEB-BNDJMP product lines</i>						
Line Image	Catalog Number	Length inch [mm]	Width inch [mm]	Height inch [mm]	Hole Size inch [mm]	Type
	WEEB-15.8	1.37 [34.85]	0.71 [18.00]	0.17 [4.27]	0.32 [8.20]	Rigid
	WEEB-6.7	1.37 [34.35]	0.71 [18.00]	0.17 [4.27]	0.26 [6.53]	Rigid
	WEEB-8.0	1.45 [36.75]	0.86 [22.00]	0.17 [4.27]	0.32 [8.20]	Rigid
	WEEB-8.2	1.37 [34.85]	0.71 [18.00]	0.17 [4.27]	0.32 [8.20]	Rigid

E-131

WILEY CABLE CLIPS

Engineered for high-quality wire management solutions, Wiley Cable Clips simplify wire management and create a cleaner aesthetic to solar PV arrays. The clips are made of corrosion resistant stainless steel, which makes for a durable, long lasting and reliable solution in all environments and are designed with coined edges to prevent damage to cable insulation. The designs are easy to install and remove with a flat head screwdriver and can be reused. The clips can be used in a wide variety of mounting configurations (including 90 degree) for module and rail applications. Custom designs are available upon request.

E-132







Features & Benefits





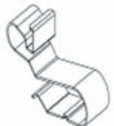



- UL 1565 Listed
- Accommodates a broad range of cable combinations and sizes (e.g., USE-2, PV, AC module and micro inverter cables)
- Compatible on modules with a flange thickness range of 1.3 to 3mm
- No tools required for installation
- Multiuse capabilities
- Coined edges to prevent damage to cable insulation
- Reliability for use throughout the lifetime of the PV system



ACC-FLD shown

Module Clips						
304 Stainless Steel cable clips that install on the module frame						
Line Image	Catalog Number	Length inch [mm]	Width inch [mm]	Height inch [mm]	Qty of Wires Held	Wire Diameter inch [mm]
	ACC	0.66 [16.85]	0.39 [10.00]	0.39 [10.00]	1 to 2 USE-2 wires or 1 PV wire	Max. 0.293 [6.00]
	ACC-PV	0.72 [18.42]	0.39 [10.00]	0.47 [12.60]	1 to 2 PV wires	Max. 0.29 [7.50]
	ACC-FLD	0.75 [19.00]	0.39 [10.00]	0.50 [12.70]	1 to 2 PV wires	Max. 0.29 [7.50]
	ACC-FPV	0.92 [23.33]	0.49 [12.50]	0.56 [14.22]	1 to 2 PV wires	Max. 0.33 [8.50]

Wiley Cable Clips
(Continued)

90 Degree Module Clips						
<i>304 Stainless Steel cable clips that install parallel or perpendicular on the module frame</i>						
Line Image	Catalog Number	Length inch [mm]	Width inch [mm]	Height inch [mm]	Qty of Wires Held	Wire Diameter inch [mm]
	ACC-F90-1	0.81 [20.58]	0.51 [13.08]	0.56 [14.22]	1 to 2 USE-2 wires or 1 to 2 PV wire	Max. 0.29 [7.50]
	ACC-F2-90	1.16 [29.49]	0.41 [10.51]	0.59 [15.10]	1 to 2 Micro Inverter Trunk or AC cables	1 wire: Max. 0.55 [14.00] 2 wires Max. 0.43 [11.00]
	ACC-F4-90	1.37 [34.72]	0.41 [10.51]	0.56 [14.31]	1 to 4 PV wires	Max. 0.29 [7.50]
	ACC-F1-270	0.92 [23.50]	0.39 [10.00]	0.77 [19.55]	2 PV wire or 1 Micro Inverter Trunk	Max. 0.55 [14.00]
Rail Clips						
<i>304 Stainless Steel cable clips that install on the rail or in the channel</i>						
Line Image	Catalog Number	Length inch [mm]	Width inch [mm]	Height inch [mm]	Qty of Wires Held	Wire Diameter inch [mm]
	ACC-R2	1.47 [37.41]	0.39 [10.00]	0.81 [20.50]	1 to 2 Micro Inverter Trunk or AC cables	1 wire: Max. 0.55 [14.00] 2 wires Max. 0.43 [11.00]
	ACC-R2-E	1.18 [30.10]	0.49 [12.50]	0.66 [16.81]	1 to 2 Micro Inverter Trunk or AC cables	1 wire: Max. 0.55 [14.00] 2 wires Max. 0.43 [11.00]
	ACC-R4	1.55 [39.46]	0.39 [10.00]	0.63 [16.05]	1 to 4 PV wires	Max. 0.29 [7.50]
	ACC-RBC15	0.91 [23.00]	0.65 [16.50]	0.47 [12.00]	2 Micro Inverter Trunk or up to 4 PV wires	Max. 0.55 [14.00]



E-133

ACC-F90-1 shown in both orientations



ACC-F1-270



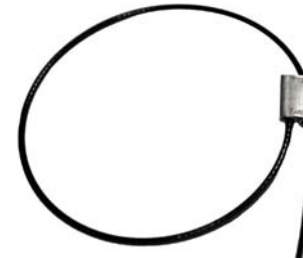
ACC-R2-E shown



ACC-RBC15 shown

WILEY BUNDLE STRAP

The Wiley Bundle Strap is made of corrosion resistant 304 stainless steel, which makes for a durable, long lasting and reliable solution for all environments. The vinyl jacket covering the 304 stainless steel wire is designed to protect cable insulation from damage. The Wiley Bundle Strap is easy to install and can be crimped in the field with electrician linesman pliers or standard wire cutters. The crimp sleeve's retention feature allows for a quick, effortless, secure installation. Custom lengths available upon request.

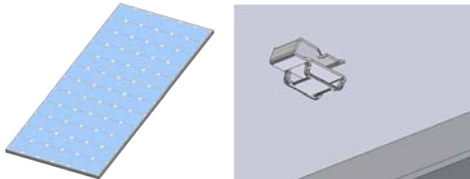


E-134

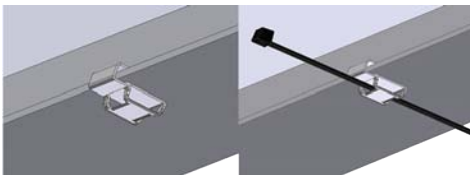
Features & Benefits

- UL 62275 Listed
- High quality, long-lasting, labor saving, wire management solution
- UV guarded vinyl jacketed 304 stainless steel wire with 304 stainless steel crimp
- Vinyl jacket designed to protect cable insulation from damage
- 304 stainless steel crimp sleeve allows for quick and easy installation
- Can be crimped in the field with electrician linesman pliers or standard wire cutters
- Retention feature allows for a quick, effortless, secure installation
- Lasts for the lifetime of the PV system
- RoHS compliant
- Custom lengths available upon request

Installing the ACC-FBC with WBS or UNIRAP™ cable tie



The ACC-FBC mounting base slides onto the module flange



Route a WBS or UNIRAP™ through the ACC-FBC mounting base



Secure desired cables by tightening the WBS or UNIRAP™

Wiley Bundle Straps

304 Stainless Steel wire covered with vinyl jacket helps protect cable insulation from damage

Catalog Number	Length inch [mm]	Diameter inch [mm]	Max. Tensile Strength	Max. Bundle Diameter inch [mm]	Material
WBS8V	8.00 [203.20]	0.06 [1.50]	100 lbs.	2.30 [58.40]	Vinyl Insulated 304 Stainless Steel Wire
WBS10V	10.00 [254.00]	0.06 [1.50]	100 lbs.	2.92 [74.00]	
WBS12V	12.00 [304.80]	0.06 [1.50]	100 lbs.	3.88 [98.50]	
WBS14V	14.00 [356.00]	0.06 [1.50]	100 lbs.	4.20 [106.70]	
WBS20V	20.00 [508.00]	0.06 [1.50]	100 lbs.	6.36 [161.50]	
WBS24V	24.00 [609.60]	0.06 [1.50]	100 lbs.	7.00 [178.00]	
WBS30V	30.00 [762.00]	0.06 [1.50]	100 lbs.	8.75 [222.00]	
WBS36V	36.00 [914.40]	0.06 [1.50]	100 lbs.	11.00 [279.40]	



ACC-FBC shown with WBS8V

Mounting Platform for WBS Bundle Straps or UNIRAP™ Cable Ties

304 Stainless Steel wire covered with vinyl jacket helps protect cable insulation from damage

Catalog Number	Length inch [mm]	Width inch [mm]	Height inch [mm]	Max. Cable Tie Width inch [mm]	Frame Thickness
ACC-FBC	0.55 [14.00]	0.48 [12.20]	0.27 [7.00]	0.31 [8.00]	1.3mm to 2.5mm

Wiley Insulated Wire Management

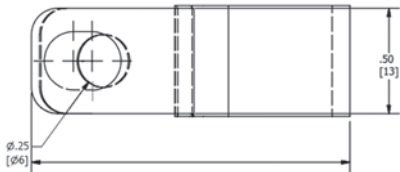


WIS8-2 shown



E-135

Wiley Insulated Straps				
<i>Vinyl insulated steel straps protect cables from vibration and insulation damage</i>				
Catalog Number	Length inch [mm]	Diameter inch [mm]	Max. Bundle Diameter inch [mm]	Material
WIS8-2	7.87 [200.0]	0.24 [6.0]	2.00 [50.8]	PVC coated steel
WIS12-3	11.80 [300.0]	0.24 [6.0]	3.00 [76.2]	



WIPC14-12 shown



Wiley Insulated P-Clips			
<i>Vinyl insulated steel p-clips protect cables from vibration and insulation damage</i>			
Catalog Number	Width inch [mm]	Max. Bundle Diameter inch [mm]	Material
WIPC14-14	0.24 [6.0]	0.25 [6.4]	PVC coated zinc plated steel
WIPC14-12	0.24 [6.0]	0.50 [13.0]	
WIPC14-34	0.24 [6.0]	0.75 [19.0]	
WIPC14-1	0.24 [6.0]	1.00 [25.4]	
WIPC14-112	0.24 [6.0]	1.50 [38.0]	

TABLE OF CONTENTS

Introduction	F-2	WIREMIKE™ Wire Micrometer	F-16
PENETROX™ Oxide Inhibitor (How to Install Connectors)	F-2	Type BHSG1100 Heat Gun	F-17
PENETROX™ Oxide Inhibitor	F-3, F-4		
Type BDSC Sealing Compound	F-5		
Types CSB and CSJ Cold Seal Splice Kits	F-6		
Thin Wall Heat Shrink Tubing			
Type HS-T-PF			
6 Inch Lengths	F-7		
4 Foot Reels	F-8		
25 Foot Reels	F-9		
Heavy Wall Heat Shrink Tubing			
Type HS-H-PF			
Cut Lengths; 4 Foot Sticks	F-10		
Fire Retardant Heat Shrink Tubing			
Type HSC-FR; Clear VISI-SHRINK™			
50' or 250' Reels	F-11		
Type HS-FR			
50', 250' or 100' Reels	F-12		
Heavy Wall Heat Shrinkable End Cap			
Type HSIC-FR	F-13		
Super-Seal Waterproofing Mastic Push-On			
End cap			
Type BSC	F-14		
Force Fit Cable Caps			
Type BPC	F-15		



INTRODUCTION

BURNDY wiring accessories have been designed to supplement and enhance BURNDY connector selection and use. All have been designed and engineered for easy installation

and long life, reflecting over 85 years of experience and resulting contributions to all aspects of the electrical industry.

PENETROX™

HOW TO INSTALL CONNECTORS:

1. Select the right connector.

F-2

Always use an aluminum connector for aluminum or copper conductor. Choose a connector that's marked for the wire size you're using. Never use a copper connector on aluminum conductor.

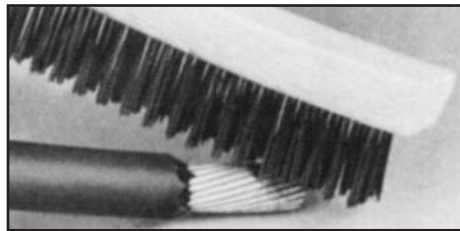


2. Strip carefully.

Remove the insulation without nicking the wire.

3. Brush thoroughly.

Always wire-brush the stripped portion of the wire. An unplated terminal pad, and the surface to which the terminal will be attached should also be wire-brushed.



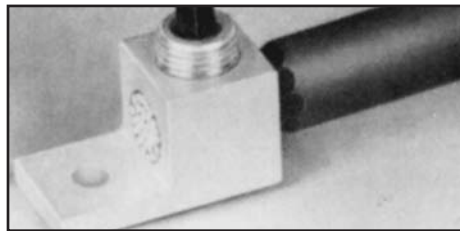
4. Apply PENETROX™

For mechanical connectors, apply PENETROX™ joint compound liberally to the conductor to prevent the formation of surface oxides once the connection is made. Also apply PENETROX™ to any terminal pad.



5. Tighten completely.

For mechanical connectors, use wrench or screwdriver to securely tighten the aluminum connectors, as recommended by BURNDY.



6. Crimp.

For compression connectors, choose the right die and the right tool. Insert the wire completely and make the recommended number of crimps.



**TYPES PENETROX™
A, A-13, E AND HT**

**OXIDE-INHIBITING
JOINT COMPOUNDS**

PENETROX™ oxide-inhibiting compounds produce low initial contact resistance, seal out air and moisture, prevent oxidation or corrosion, exhibit superior weathering characteristics, are usable over wide temperature ranges, and provide a high conductivity “gas-tight” joint. All PENETROX™ compounds contain homogeneously suspended metal particles. The suspended metal particles assist in penetrating thin oxide films, act as electrical “bridges” between conductor strands, aid in gripping the conductor, improve electrical conductivity and enhance the integrity of the connection.

The specially formulated PENETROX™ compounds are for use with compression and bolted connectors providing an improved service life for both copper and aluminum connections. Additionally, the nontoxic compounds are an excellent lubricant for threaded applications reducing galling and seizing.



PENETROX™ with brush lid

All types of PENETROX™ are available in an 8 oz. bottle with a brush lid for ease of application.



PENACARTRIDGE

PENACARTRIDGE is a 1 lb. cartridge filled with PENETROX-A. It's designed to fit standard caulking guns for easy insertion into transmission and distribution connectors. Additionally, this packaging design provides a convenient method for applying PENETROX™ to many different applications.



PENETROX™ A-13

PENETROX™ A-13 is a synthetic base compound with evenly suspended zinc particles. It is recommended for aluminum to aluminum, aluminum to copper connections plus aluminum conduit threads. It is compatible with rubber, polyethylene and other insulating materials. UL Listed for all voltages.

F-3



PENETROX™ A

PENETROX A is a natural (petroleum) base compound with evenly suspended zinc particles. It is recommended for aluminum to aluminum, aluminum to copper connections and aluminum conduit threads. It is not recommended for use with rubber or polyethylene insulated conductors. UL listed to 600V.



PENETROX™ E

PENETROX™ E is a synthetic base compound with evenly suspended copper particles. It is recommended for copper to copper, copper threads and all grounding applications. UL Listed.



PENETROX™ HT

PENETROX™ HT is a synthetic silicone based compound with evenly suspended zinc particles and nickel-aluminum alloy particles. It is recommended for aluminum to aluminum connections. It is compatible with rubber. Designed for use with High Temperature ACSS and ACCC connectors. Not UL Listed.

PENETROX™ A, A-13, E AND HT

TECHNICAL INFORMATION

PENETROX A

PENETROX A consists of a natural (petroleum) base vehicle in which zinc particles are suspended. For aluminum to aluminum, aluminum to copper applications and aluminum conduit threads. It is not recommended for use with rubber and polyethylene insulated conductors. UL Listed to 600 volts.

PENETROX A-13

PENETROX A-13 consists of a non-petroleum base vehicle in which zinc particles are suspended. Recommended for aluminum to aluminum, aluminum to copper applications and aluminum conduit threads. Compatible with insulating materials such as rubber, or polyethylene. UL Listed and recommended for all voltages.

PENETROX E

PENETROX E consists of a non-petroleum base vehicle in which copper granules are suspended. Recommended for copper to copper applications, grounding and for use on copper conduit threads. UL Listed to 600 volts.

PENETROX HT

PENETROX HT consists of a non-petroleum base vehicle in which zinc and nickel-aluminum particles are suspended. Recommended for use with aluminum to aluminum High Temperature rated ACSS and ACCC conductors. Not UL Listed.

Easy to apply:

1. Scratch brush the conductor surfaces until bright and clean.
2. Immediately apply PENETROX™ to the conductive surfaces.
3. For EHV applications, remove all excess PENETROX™ after installation is complete.



SHELF LIFE

When stored in its original container in cool (under 100°F) dry environment, PENETROX™ oxide inhibiting compound will remain workable and functional for 5 years from the Date of Manufacture (MO) marked on the container.



PROPERTIES OF PENETROX™

Property	Value PENETROX™ Definition	PENETROX™ HT	PENETROX™ E & A13	PENETROX™ A
Penetration (Unworked)	The value in accordance to ASTM D217 indicates the consistency of a grease. The higher the number, the softer the grease.	240	250	230
Dropping Point (Minimum)	The temperature at which the grease passes from the semi-solid to a liquid state under test conditions.	>580° F	350° F	230° F
Pour Point (Maximum)	The lowest temperature at which the compound will flow. Pour point is the lubricant's ability to perform in cold conditions.	-58° F	-40° F	-15° F

*MSDS sheets available through customer service.

ORDERING INFORMATION

Catalog Number				Container Type	Container Size
PENETROX™ A	PENETROX™ A-13	PENETROX™ E	PENETROX™ HT †		
PENA 1/2	—	—	—	Tube	1/2 oz.
PENA-4	PENA13-4	PENE-4	PENHT-4	Squeeze Bottle	4 oz.
P8A	PENA13-8	PENE-8	PENHT-8	Squeeze Bottle	8 oz.
PENA8BLB	PENA138BLB	PENE8BLB	PENHT8BLB	Bottle with Brush Lid	8 oz.
PENACARTRIDGE	PENA13CARTRIDGE	—	PENHT1LB	Cartridge	1 lb.*
PENA-QT	PENA13-QT	PENE-QT	—	Plastic Tub	1 Quart
PENA-GAL	PENA13-GAL	PENE-GAL	PENHTGAL	Can	1 Gallon
PENA-5GAL	PENA13-5GAL	PENE-5GAL	—	Pail	5 Gallons
PENA-55GAL	PENA13-55GAL	PENE-55GAL	—	Drum	55 Gallons

* 1 lb. cartridge will fit standard caulking guns.

† Not UL Listed.



B38-0305-00 Wire Brush

TYPE BDSC

Duct Sealing Compound

BURNDY Duct Sealing Compound is permanently pliable and is a non-cracking material which can be painted when necessary for a more aesthetic appearance. A gray, non-toxic, non-corrosive, and non-irritating compound, our duct seal will adhere to most clean, dry surfaces with no adverse effects on plastic or metal materials. There is no reaction when used with bare hands.

Supplied in a convenient block shape overwrapped with release paper, and then bagged into a clear PVC bag (which can be reused and resealed) along with application data. Duct sealing compound is used primarily in the building trades to seal around junction boxes, flashing, and service mast entries.

Features & Benefits:

- Dough-like material easily shapes to suit any application
- Unlimited shelf life, won't dry out or crack over time; permanent pliable, non-cracking
- May be painted immediately after application for a more aesthetic appearance
- Dielectric strength approximately 100V/mil. using ASTM D149-64
- Non-toxic and non-irritating
- 100% non-volatile solids with non-drying, synthetic polymers with inert mineral fibers
- Tolerance range is 40° F to 194° F; will not sag at 280° F for brief time periods
- Recommended working range during application is 20° F
- Perfect for sealing conduit openings, gaps, and holes against drafts, dust, moisture and noise
- Commonly used in electrical trade to seal around junction boxes, flashing, and service mast entrances

Catalog Number	Block Size	Carton Quantity
BDSC1	1 lb.	50 1-lb blocks
BDSC5	5 lbs.	10 5-lb blocks



TYPES CSB & CSJ

Cold Seal Splice Kits

These cold applied splice sealing products are made of specially formulated silicone rubber and offer excellent insulation and moisture proof sealing for in-line cable connector systems or elbow to cable jacket applications. The rubber sleeves are factory expanded and held over a removable, plastic rip core housing. Installs quickly and easily. Type CSJ also includes a mastic seal. Operating temperature range: -40°C to 105°C. Meets ANSI C119.1-1986.



F-6

Features & Benefits

- Easy, safe installation
- Suitable for a wide range of cable sizes
- UV resistance, thermal stability
- No special tools or training required
- Forms a moisture proof seal
- Superior, time-saving insulation technology
- Indoor and outdoor applications

In-Line Splice Sealing Kits Type CSB - Low Voltage conductor only

Catalog Number	Conductor Range	Application Range (min-max diameter)	Supplied Tube Length	Relaxed Tube Length
CSB037800SR1	#2 - 1/0	0.37" - 0.84"	6.50"	8.00"
CSB051900SR1	2/0 - 400	0.51" - 1.18"	7.50"	9.00"
CSB097900SR1	500 - 800	0.97" - 1.95"	7.50"	9.00"
CSB0971200SR1	500 - 800	0.97" - 1.95"	10.50"	12.00"
CSB125900SR1	900 - 1000	1.25" - 2.65"	7.50"	9.00"
CSB163900SR1	1250 - 2000	1.63" - 3.67"	7.50"	9.00"

Cable Jacket Sealing Kits Type CSJ (includes mastic seal) - for JCN Cable Medium Voltage (up to 35kV) conductor

Catalog Number	Conductor Range 15kV Cable	Conductor Range 25kV Cable	Conductor Range 35kV Cable	Application Range (min-max diameter)	Supplied Tube Length	Relaxed Tube Length
CSJB097600SR1	#2 - 4/0	#2 - 2/0	1/0	0.97" - 1.95"	4.50"	6.00"
CSJB125800SR1	2/0 - 1000	1/0 - 750	1/0 - 500	1.25" - 2.65"	6.50"	8.00"
CSJB163900SR1	750 - 1500	600 - 1250	350 - 1000	1.63" - 3.67"	7.50"	9.00"

TYPE HS-T-PF

THIN WALL HEAT SHRINK TUBING

Cross-Linked Polyolefin

6 Inch Lengths

Type HS-T-PF is a flexible thin wall, flame retardant heat shrink tubing made of cross-linked polyolefin. The 2:1 shrink ratio allows for faster shrink recovery, covering wire sizes: #18 AWG to 300 kcmil. Operating temperatures from -55° C to 135° C with a shrink temperature of 120° C.



Meets SAE-AMS-DTL-23053/5
600 V

F-7

Catalog Number	Nominal Diameter Inches	Min. Exp. I.D. In.	Max. Recov. I.D. In.	Nom. Wall Thickness In.	Conductor Range	Pieces per Package	
						# Pieces Black	# Pieces Each Color
HSM116T6PF26	1/16	0.06	0.03	0.02	#18	8	3
HSB116T6PF26	1/16	0.06	0.03	0.02	#18	26	0
HSM332T6PF24	3/32	0.09	0.05	0.02	#18-16	6	3
HSB332T6PF24	3/32	0.09	0.05	0.02	#18-16	24	0
HSM18T6PF20	1/8	0.12	0.06	0.02	#18-14	2	3
HSB18T6PF20	1/8	0.12	0.06	0.02	#18-14	20	0
HSM316T6PF18	3/16	0.19	0.09	0.02	#18-12	6	2
HSB316T6PF18	3/16	0.19	0.09	0.02	#18-12	18	0
HSM14T6PF14	1/4	0.25	0.12	0.18	#14-10	2	2
HSB14T6PF14	1/4	0.25	0.12	0.18	#14-10	14	0
HSM38T6PF12	3/8	0.38	0.19	0.02	#8-6	6	1
HSB38T6PF12	3/8	0.38	0.19	0.02	#8-6	12	0
HSM12T6PF10	1/2	0.50	0.12	0.02	#6-2	4	1
HSB12T6PF10	1/2	0.50	0.12	0.02	#6-2	10	0
HSM34T6PF8	3/4	0.75	0.38	0.02	#1-3/0	2	1
HSB34T6PF8	3/4	0.75	0.38	0.02	#1-3/0	8	0
HSM100T6PF7	1	1.00	0.50	0.18	2/0-300	1	1
HSB100T6PF7	1	1.00	0.50	0.18	2/0-300	7	0

HSB series — all black

HSM series — multiple colors: black, blue, clear, green, red, white, yellow

HSB11612T6PF14	1/16, 3/32, 1/8, 3/16, 1/4, 3/8, 1/2	—	—	14	0
HSB38100T6PF8	3/8, 1/2, 3/4, 1"	—	—	8	0

Multiple diameter packages contain two pieces of each size listed: Black only.

TYPE HS-T-PF

THIN WALL HEAT SHRINK TUBING

Cross-Linked Polyolefin

4 Foot Reels

Type HS-T-PF is a flexible thin wall, flame retardant heat shrink tubing made of cross-linked polyolefin. The 2:1 shrink ratio allows for faster shrink recovery, covering wire sizes: #18 AWG to 300 kcmil. Operating temperatures from -55° C to 135° C with a shrink temperature of 120° C.



F-8



Meets SAE-AMS-DTL-23053/5
600 VOLTS

Specify Color Code in Third Position of Catalog Number:

Example: HSC316T48PF

- B** : BLACK
- BL**: BLUE
- C** : CLEAR
- G** : GREEN
- R** : RED
- W** : WHITE
- Y** : YELLOW

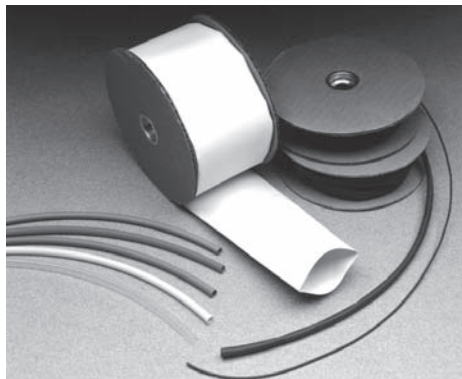
Catalog Number	Nominal Diameter Inches	Min. Exp. I.D. In.	Max. Recov. I.D. In.	Nom. Wall Thickness In.	Conductor Range
HS_116T48PF	1/16	0.06	0.03	0.018	#18
HS_332T48PF	3/32	0.09	0.05	0.020	#18 - 16
HS_18T48PF	1/8	0.12	0.06	0.020	#18 - 14
HS_316T48PF	3/16	0.19	0.09	0.020	#18 - 12
HS_14T48PF	1/4	0.25	0.12	0.180	#14 - 10
HS_38T48PF	3/8	0.38	0.19	0.020	#8 - 6
HS_12T48PF	1/2	0.50	0.12	0.020	#6 - 2
HS_34T48PF	3/4	0.75	0.38	0.020	#1 - 3/0
HS_100T48PF	1	1.00	0.50	0.180	2/0 - 300
HS_150T48PF	1-1/2	1.50	0.75	0.180	350 - 750
HS_200T48PF	2	2.00	1.00	0.180	250 - 500

TYPE HS-T-PF

THIN WALL HEAT SHRINK TUBING

Cross-Linked Polyolefin

25 Foot Reels



Type HS-T-PF is a flexible thin wall, flame retardant heat shrink tubing made of cross-linked polyolefin. The 2:1 shrink ratio allows for faster shrink recovery, covering wire sizes: #18 AWG to 300 kcmil. Operating temperatures from -55° C to 135° C with a shrink temperature of 120° C.



Meets SAE-AMS-DTL-23053/5
600 VOLTS

Specify Color Code in Third Position of Catalog Number:

Example: HSC116T300PF

- B** : BLACK
- BL**: BLUE
- C** : CLEAR
- G** : GREEN
- R** : RED
- W** : WHITE
- Y** : YELLOW



Catalog Number	Nominal Diameter Inches	Min. Exp. I.D. In.	Max. Recov. I.D. In.	Nom. Wall Thickness In.	Conductor Range
HS_116T300PF	1/16	0.06	0.03	0.018	#18
HS_332T300PF	3/32	0.09	0.05	0.020	#18 - 16
HS_18T300PF	1/8	0.12	0.06	0.020	#18 - 14
HS_316T300PF	3/16	0.19	0.09	0.020	#18 - 12
HS_14T300PF	1/4	0.25	0.12	0.180	#14 - 10
HS_38T300PF	3/8	0.38	0.19	0.020	#8 - 6
HS_12T300PF	1/2	0.50	0.12	0.020	#6 - 2
HS_34T300PF	3/4	0.75	0.38	0.020	#1 - 3/0
HS_100T300PF	1	1.00	0.50	0.180	2/0 - 300

F-9

TYPE HS-H-PF

HEAVY WALL HEAT SHRINK TUBING

Cross-Linked Polyolefin

Cut Lengths and 4 Foot Sticks

Type HS-H-PF is a heavy wall, flame retardant heat shrink tubing made of cross-linked polyolefin. The shrink ratio is 3:1, and the inside diameter is coated with an adhesive sealant to protect against moisture and corrosion. UL486D Listed for direct burial applications. Accommodates #14 AWG - 500 kcmil conductors. Operating temperatures from -55° C to 135° C with a shrink temperature of 120° C.



Meets SAE-AMS-DTL-23053/5
600 V

F-10

Catalog Number	Length	Nominal Diameter Inches	Min. Exp. I.D. In.	Max. Recov. I.D. In.	Nom. Wall Thickness In.	Conductor Range	Number of Pcs. Per Package
HSB35H3PF25	3"	0.35	0.35	0.15	0.07	#14-10	25
HSB35H6PF25	6"	0.35	0.35	0.15	0.07	#14-10	25
HSB35H48PF5	4'	0.35	0.35	0.15	0.07	#14-10	5
HSB34H6PF10	6"	0.75	0.75	0.22	0.09	#6-2	10
HSB34H9PF10	9"	0.75	0.75	0.22	0.09	#6-2	10
HSB34H48PF5	4'	0.75	0.75	0.22	0.09	#6-2	5
HSB110H6PF5	6"	1.10	1.10	0.40	0.12	#1-3/0	5
HSB110H9PF5	9"	1.10	1.10	0.40	0.12	#1-3/0	5
HSB110H48PF5	4'	1.10	1.10	0.40	0.12	#1-3/0	5
HSB150H9PF3	9"	1.50	1.50	0.50	0.16	2/0-350	3
HSB150H12PF3	12"	1.50	1.50	0.50	0.16	2/0-350	3
HSB150H48PF5	4'	1.50	1.50	0.50	0.16	2/0-350	5
HSB200H9PF2	9"	2.00	2.00	0.75	0.16	250-500	2
HSB200H12PF2	12"	2.00	2.00	0.75	0.16	250-500	2
HSB200H48PF2	4'	2.00	2.00	0.75	0.16	250-500	2

Available in black only.

TYPE HSC-FR

VISI-SHRINK™

Fire Retardant Clear Heat Shrink Tubing



UL Recognized to 600V

Type HSC-FR is a flexible polyvinyl chloride clear heat-shrink tubing. Excellent flame retardant properties and a 2:1 shrink ratio, the VISI-SHRINK tubing enables inspectors to read die index embossments on installed connectors easily. UL Recognized, 105° C, 600V, the operating temperature from -20° C to 105° C with a shrink temperature of 135° C.

Features & Benefits

- UL 224, VW-1 Rated
 - ◇ Self-extinguishing flame retardant properties.
- Clear Tubing
 - ◇ Allows inspection of die index embossment and shiner after installation is complete. Should any corrosion occur it will be visible during inspection.
- Low Shrink Temperature
 - ◇ Only requires common hot air guns to apply.
- Meets MIL-M-23053/Z-206C



F-11

Catalog Number	I.D. Expanded	I.D. After Recovery	Wall Thickness	Conductor Range		Standard Reel Size (Feet)
				Code	Flex	
HSC18FR	0.13	0.06	0.03	#16-#14	#16-#14	50
HSC18FR250	0.13	0.06	0.03	#16-#14	#16-#14	250
HSC14FR	0.25	0.13	0.03	#12-#8	#12-#10	50
HSC14FR250	0.25	0.13	0.03	#12-#8	#12-#10	250
HSC38FR	0.38	0.19	0.03	#6-#4	#8-#6	50
HSC38FR250	0.38	0.19	0.03	#6-#4	#8-#6	250
HSC12FR	0.50	0.25	0.03	#4-#1	#6-#4	50
HSC12FR250	0.50	0.25	0.03	#4-#1	#6-#4	250
HSC34FR	0.75	0.38	0.03	1/0-3/0	#2-1/0	50
HSC34FR250	0.75	0.38	0.03	1/0-3/0	#2-1/0	250
HSC100FR	1.00	0.50	0.04	4/0-300	1/0-4/0	25
HSC100FR100	1.00	0.50	0.04	4/0-300	1/0-4/0	100
HSC112FR	1.50	0.75	0.04	350-750	250-500	25
HSC112FR100	1.50	0.75	0.04	350-750	250-500	100
HSC200FR	2.00	1.00	0.05	800-1000	500-750	25
HSC200FR100	2.00	1.00	0.05	800-1000	500-750	100

NOTES:

1. Shrink temperature is 135° C (275° F).
2. For best results move heat gun along the length of heat shrink to avoid concentrations.
3. To extend useful life, store material below 70°F.
4. For additional Heat Shrinkable Tubing see "URD" section Type RYAC and RK169-2, RK170-2 in this section.

TYPE HS-FR

THIN WALL HEAT SHRINK

Fire Retardant
Heat Shrink Tubing

UL Recognized to 600V

Type HS-FR is a flexible polyvinyl chloride thin wall heat shrink. Offering insulating, color identification and strain relieving properties for terminations and splices. The 2:1 shrink ratio allows for faster shrink recovery, covering wire sizes: #16 AWG to 1000 kcmil. UL Recognized, 105° C, 600V, operating temperatures from -20° C to 105° C with a shrink temperature of 135°.



Features & Benefits

- UL 224, VW-1 Rated
 - ◊ Self-extinguishing flame retardant properties.
- Multi-use Tubing
 - ◊ Insulate, strain relief.
- Easy Identification
 - ◊ Available in wide range of colors.
- Low Shrink Temperature
 - ◊ Only requires common hot air guns to apply.
- Meets MIL-M-23053/Z-206C

How to Order:

Example: **HSB18FR**

- B** - Black
- BLU** - Blue
- G** - Green
- R** - Red
- W** - White
- Y** - Yellow

F-12



Catalog Number	I.D. Expanded	I.D. After Recovery	Wall Thickness	Conductor Range		Standard Reel Size (Feet)
				Code	Flex	
HS_18FR	0.125	0.062	0.025	#16 - #14	#16 - #14	50
HS_18FR250	0.125	0.062	0.025	#16 - #14	#16 - #14	250
HS_14FR	0.250	0.125	0.025	#12 - #8	#12 - #10	50
HS_14FR250	0.250	0.125	0.025	#12 - #8	#12 - #10	250
HS_38FR	0.375	0.187	0.025	#6 - #4	#8 - #6	50
HS_38FR250	0.375	0.187	0.025	#6 - #4	#8 - #6	250
HS_12FR	0.500	0.250	0.025	#4 - #1	#6 - #4	50
HS_12FR250	0.500	0.250	0.025	#4 - #1	#6 - #4	250
HS_34FR	0.750	0.375	0.030	1/0 - 3/0	#2 - 1/0	50
HS_34FR250	0.750	0.375	0.030	1/0 - 3/0	#2 - 1/0	250
HS_100FR	1.000	0.500	0.035	4/0 - 300	1/0 - 4/0	25
HS_100FR100	1.000	0.500	0.035	4/0 - 300	1/0 - 4/0	100
HS_112FR	1.500	0.750	0.040	350 - 750	250 - 500	25
HS_112FR100	1.500	0.750	0.040	350 - 750	250 - 500	100
HS_200FR	2.000	1.000	0.045	800 - 1000	500 - 750	25
HS_200FR100	2.000	1.000	0.045	800 - 1000	500 - 750	100

NOTES:

1. Shrink temperature is 135° C (275° F).
2. For best results move heat gun along the length of heat shrink to avoid concentrations.
3. To extend useful life, store material below 70° F.
4. For additional Heat Shrinkable Tubing see "URD" section Type RYAC and RK169-2, RK170-2 in this section.

TYPE HSIC - FR

HEAVY WALL HEAT SHRINKABLE END CAP

UL LISTED TO 600V

Type HSIC-FR, Heat Shrink Insulating End Cap Fire Retardant is a heavy wall, fire retardant end cap made of cross-linked thermally stabilized black polyolefin. Used to insulate exposed conductors in energized applications. The 3:1 shrink ratio offers greater range, accommodating copper wire sizes, #8 AWG thru 2500+ kcmil. Performs effectively over lead, aluminum, steel, polyethylene, EPR, and PVC jacketed materials. Blue thermal chromatic lines disappear indicating correct installation temperature and provide inspectability. I.D. adhesive provides superior moisture and weather resistant characteristics.



Features & Benefits

- Minimum 28 Oxygen index, UL94-VO rated.
 - ◊ Self-extinguishing flame retardant properties.
- 3:1 shrink ratio
 - ◊ Minimum inventory required.
- Thermal chromatic lines
 - ◊ Indicate proper installation.
- Low shrink temperature, 150°C
 - ◊ Only requires common hot air gun to apply.
- Meets sealing requirements: ANSI-C119.1, UL486D
 - ◊ Weather and moisture resistant.



1. Slide the HSIC-FR end cap onto the cable and hold in place using forefinger or thumb.



2. Beginning at closed end apply heat, blue thermochromatic lines will begin to disappear at 150° C. Gradually, move heat source to open end and around cap. Once lines are no longer visible and adhesive flows out of open end, discontinue heating.



3. HSIC-FR end cap installed on cable.

F-13

Catalog Number	600V Cable		Internal Diameter		Wall Thickness		Length ± 20%		Number of Pcs. per Package
	Code	Flex	(Min) Exp.	(Max) Rec	Exp.	Rec. ± 20%	Exp.	Rec.	
HSIC8-1FR	#8-#1	#8-#4	0.50	0.16	0.03	0.08	3.00	2.50	10
HSIC4-40FR	#4-4/0	#4-2/0	0.75	0.24	0.03	0.08	3.50	2.50	10
HSIC10-500FR	1/0-500 kcmil	#1-313.1 kcmil	1.10	0.35	0.04	0.12	4.00	3.00	5
HSIC30-1000FR	3/0-1000 kcmil	2/0-646 kcmil	1.50	0.47	0.05	0.16	4.50	3.25	5
HSIC200FR	300-1750 kcmil	250-1111 kcmil	2.00	0.63	0.05	0.16	4.50	3.50	5
HSIC350FR	1250 kcmil (min)	—	3.50	1.18	0.05	0.16	5.00	4.50	5

TYPE BSC

**Push-On Cable End Cap
Containing “Super-Seal”
Waterproofing Mastic**

Waterproofing seals work instantly and stay in place with tape. The maximum conductors shown in the table are based upon caps that have been stretched when making the installations. The same items can be effectively installed on small conductors since the mastic has adhesive qualities when pressed by firmly pushing the caps against the conductor ends.



Close-up of Super-Seal Waterproofing Mastic

Features & Benefits

- Effective method for sealing conductor ends and conduit pipe
- Flexible, easy to apply - No tools required
- Waterproof seals work instantly and stay in place without tape
- Super-Seal is non-hardening with no adverse effect on cable insulation
- Easy removal, reusable
- Different colors for each conductor range accommodated
- Material: PVC Rated to 600 Volts
- Packaged in clear bags labeled with size and application data

Bagged in clear polyethylene with an information tag. Shelf service life is indefinite since Super-Seal is non-hardening. Super-Seal has no adverse effect on cable insulation.

Additional intermediate sizes and larger sizes through 4.88" O.D. can also be supplied on special orders to specific color codes. Contact factory for information.

F-14

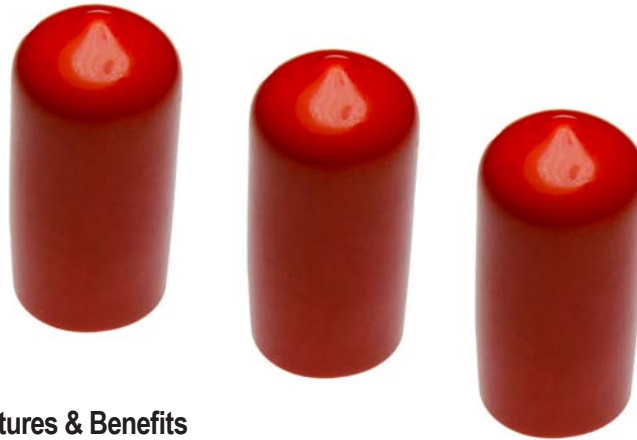
Push On Cable End Caps with Super-Seal

Catalog Number	O.D. Accommodated (inches)	Color	Length (inches)	Thickness of Super-Seal in cap (inches)
BSC687	0.69 - 0.75	Red	1.50	0.38
BSC1000	1.00 - 1.08	Orange	1.50	0.38
BSC1125	1.13 - 1.21	Yellow	1.50	0.38
BSC1375	1.38 - 1.47	Gray	1.50	0.38
BSC1500	1.53 - 1.63	Black	1.50	0.38
BSC1875	1.90 - 2.04	Yellow	1.50	0.38
BSC2375	2.39 - 2.55	Blue	1.50	0.38
BSC250025	2.50 - 2.66	Black	2.50	0.62

TYPE BPC

Force Fit Cable Caps

BPC caps are sized to provide force fits on the listed diameters of conductors. Caps are color coded as indicated and are packaged in clear polyethylene bags which show size and application data. Caps conform to the conductor shape and will remain in place without using tape. A moisture seal cannot always be assured using this method however. All caps are 1.5" tall.



Additional intermediate sizes and larger sizes through 4.88" O.D. can also be supplied on special orders to specific color codes. Contact factory for information.

Features & Benefits

- Simple, fast installation with no tools required
- Accepts wide range of diameters (0.32"-3.6")
- Tight fitting
- Packaged in clear bags labeled with size and application data
- Different colors for each conductor range accommodated
- Material: PVC Rated to 600 Volts

F-15

Catalog Number	Conductor O.D. Range (inches)	Conductor Size Ratings (Based on 600 V XLP Insulation)		Cap Color Code	Pieces per Bag	Standard Box Quantity
		Concentric & Compressed Str.	Compact Strand			
BPC312	.32 - .38	6 & 4	6, 4 & 2	Orange	100	500
BPC375	.38 - .44	4 & 2	2	Red	100	500
BPC437	.44 - .51	1	1 & 10	Pink	100	500
BPC500	.51 - .55	1/0	2/0	Yellow	100	500
BPC562	.57 - .65	2/0 & 3/0	3/0	Pale Blue	100	500
BPC625	.63 - .70	-	4/0	Pink	100	500
BPC687	.69 - .75	4/0	250	Red	100	500
BPC750	.76 - .84	250 & 300	300 & 350	Black	100	500
BPC843	.85 - .93	350	400	Brown	50	250
BPC875	.88 - .96	400	500	Maroon	50	250
BPC1000	1.00 - 1.08	500	600	Orange	50	250
BPC1125	1.13 - 1.21	600	750	Yellow	50	250
BPC1187	1.19 - 1.27	750	-	Black	50	250
BPC1250	1.30 - 1.38	-	1000	Red	50	250
BPC1375	1.38 - 1.47	1000	-	Gray	50	250
BPC1500	1.53 - 1.63	1250	-	Black	40	200
BPC1687	1.70 - 1.80	1500	-	Pale Blue	40	200
BPC1875	1.90 - 2.04	2000	-	Yellow	40	200
BPC2000	2.02 - 2.18	-	-	Orange	40	200
BPC2375	2.39 - 2.55	-	-	Blue	40	200
BPC2500	3.50 - 3.66	-	-	Black	40	200
BPC3500	3.50 - 3.66	-	-	Red	40	200

WIREMIKE™

Stainless Steel Wire Micrometer

- Strong, durable, high quality
- Allow for use as both caliper and ruler
- Most formats measures I.D. and O.D. of tubing, thin-wall and rigid conduit including IPS, ACSR, stranded and solid commercial cables



WIREMIKE

F-16

Catalog # WIREMIKE, WIREMIKED and RK1942 are for use on:

ACSR

#6 to 336.4 (26/7) Stranded

Stranded AWG

#18 to 2000 kcmil

Solid

#20 to 4/0 AWG

IPS Tubing (Cu/Al) and Rigid Conduit:

1/4" to 2-1/2"

Tubing Sizes:

3-1/8" inside maximum; 2-15/16" outside maximum

Thin-wall Conduit:

3/8" to 2-1/2"

Variations:

- WIREMIKE** Stainless Steel with inch/fraction markings
- WIREMIKECI** Stainless Steel, no ruler capabilities but may be used for reference on specific completed crimps (see more detail below on WIREMIKECI)
- WIREMIKED** Stainless Steel, decimal markings in place of fraction markings, same capabilities as catalog # WIREMIKE™
- RK1942** Convenience packaging of WIREMIKE (with inch markings) in packaging suitable for hanging on a rack; sold in multiples of 10 only

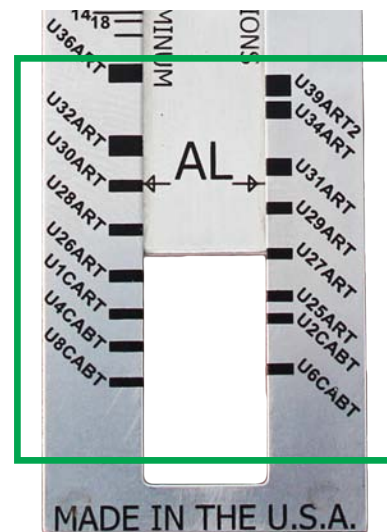
Catalog # WIREMIKECI is for use on:

Compression Connectors and Splices (including Compression Grounding)

- #18 to 2500 kcmil Copper Class B
- #10 to 4/0 Solid Aluminum / Copper
- #18 to 3500 kcmil Concentric Aluminum
- #8 to 1100 kcmil Compact Aluminum
- #14 to 1111 kcmil Copper DLO

Also used for reference only* for inspection of completed crimp when using Butting Copper or Aluminum Dies with the 750, 46, 35, or 39 series of tools.

- Copper Dies U8CRT to U44XRT
- Aluminum Dies U8CABT to U39ART-2



Close up for the Die Inspection Section (Used for Reference Only*) Catalog # WIREMIKECI only

*WIREMIKECI tool is to provide measurements for reference only, not to confirm the suitability of connection. Customer is responsible to independently verify suitability of connection.

MISCELLANEOUS ACCESSORIES

TYPE BHSG1100

HEAT GUN

250° - 1100° F (121° - 650° C)

Multi-purpose, low cost heat gun has an electronic variable thermal control dial. BHSG1100 meets the requirements of UL. It has a temperature range of 250° - 1100° F (121° - 650° C), 2 speed motor. Built-in safety stand heat guard included. Professional heat gun and accessories are recommended for all of your BURNDY heat shrink applications.



F-17

TABLE OF CONTENTS

Reference / Technical Information

Material Information	G-2
Available Materials	G-2
Material Specifications	G-2
Material Performance Guide	G-3
Catalog Numbering Schema	G-3
Military Specification Information	G-4
Precision Engineering, Enhanced Performance	G-5

Product Specific Information

Nylon 6/6

Standard Cable Ties	G-6
Identification Cable Ties	G-10
Push Mount Cable Ties	G-10
Releasable Cable Ties	G-11
Mounting Hole Cable Ties	G-12
Heat Stabilized Cable Ties	G-13
Cable Tie Mounting Bases	G-14
Cable Hangers	G-15
Stainless Steel Barb Cable Ties	G-16
Universal Grade Cable Ties	G-18
Universal Grade Mounting Hole Cable Ties	G-20
Universal Grade Mounting Bases	G-21
Cable Tie Variety Canisters	G-22

Velcro® Hook & Loop Straps

G-23

304 Stainless Steel Cable Ties

Uncoated	G-24
Partially Coated	G-25
Fully Coated	G-26

316 Stainless Steel Cable Ties

Uncoated	G-27
Partially Coated	G-28
Fully Coated	G-29

Wiley Bundle Strap

G-30

Cable Tie Installation Tools

G-31

Available Materials

Nylon 6/6 — General Purpose

General purpose nylon 6/6 features light weight, high strength and a wide temperature range. It is halogen free so it does not release dangerous gases, such as chlorine, bromine, fluorine and iodine when burned. Nylon 6/6 is hygroscopic, and therefore, absorbs or releases moisture depending on its environment. Thus, the moisture level of the material will affect tensile strength, stiffness and elongation of the product.

Nylon 6/6 — Heat Stabilized

With similar properties and benefits as nylon 6/6, products manufactured with heat stabilized nylon 6/6 material have a chemical stabilizer added for higher continuous temperature applications.

Nylon 6/6 — UV Stabilized

Chemical inhibitors are used to give nylon 6/6 material added properties to fight against premature aging of products due to the effects of ultraviolet rays.

Nylon 6/6 — UV Stabilized (2% Carbon for Military Specification)

The physical properties of this material include carbon, which acts as a UV stabilizer, prolonging the life of the product under ultraviolet conditions. It also allows cable ties to meet the particular military specification for cable ties.

Nylon 6/6 — V0 Flame Retardant

This material meets UL 94V-0 flammability requirements. Flame retardant additives generally reduce tensile strength when compared to general-purpose nylon 6/6, but this resin has been formulated to minimize such effects.

Nylon 6/6 — High Impact

Impact modifiers are added to increase flexibility. High impact nylon 6/6 has stable tensile strength due to its reduced influence from moisture. It is excellent for high vibration applications, as within the aircraft and automobile industries and performs better than nylon 6/6 against ultraviolet rays. Good for outdoor use.

Polypropylene

Polypropylene is used in environments where chemical effects on nylon are a concern. It is not affected by inorganic acids (hydrochloric), polyhydric alcohols (ethyleneglycol), neutral salts (sodium chloride) and basic salts (sodium bicarbonate). Polypropylene also resists a number of other chemicals with good results, although it has lower tensile strength than nylon 6/6 (about half). Polypropylene has good UV resistance.

Nylon 12 — UV Stabilized

Nylon 12 is resistant to chemicals and salts. Ideal for solar applications. Weather resistant grade, produced by the addition of stabilizers to the nylon resin.

Stainless Steel

Stainless Steel is used where corrosion, vibration, weathering, and temperature extremes are a concern. May be used for virtually any indoor, outdoor, or underground application. Available in both 304 and 316 Stainless Steel. Also available partially or fully coated with polyester.

G-2

Material Specifications

Material	Continuous* Operating Temperature Max. Min.	Tensile Strength at 73° F Dry as Molded ASTM D-638 (PSI)	UL Flame Rating	Oxygen Index %	Gamma Radiation Resistance	UV Resistance	Military, Federal, ASTM, and FDA Specifications
Nylon 6/6 — General Purpose (CT)	185° F — 85° C —40° F — -40° C	12,000	94V-2	28	1 x 10 ⁵ Rads	Poor	ASTM D-4066PA0111 FDA CFR177.1500
Nylon 6/6 — Heat Stabilized (CTHS)	220° F — 105° C —40° F — -40° C	12,000	94V-2	26	1 x 10 ⁵ Rads	Poor	ASTM D-4066PA0121
Nylon 6/6 — UV Stabilized (O)	185° F — 85° C —40° F — -40° C	12,000	94V-2	26	1 x 10 ⁵ Rads	Good	ASTM D4066PA0191
Nylon 6/6 — 2% Carbon UV Stabilized (OO)	220° F — 105° C —40° F — -40° C	12,000	94V-2	26	1 x 10 ⁵ Rads	Good	ASTM D-4066PA0181 MS3367/8
Nylon 6/6 — Flame Retardant (CTV)	185° F — 85° C —40° F — -40° C	10,800	94V-0	34	1 x 10 ⁵ Rads	Poor	ASTM D-4066PA0110
Nylon 6/6 — High Impact	185° F — 85° C —40° F — -40° C	8,800	94-HB	19	1 x 10 ⁵ Rads	Good	ASTM D-4066PA0150
Polypropylene — Chemical Resistant (CTPP)	185° F — 85° C —40° F — -40° C	3,400	94-HB	N/A	1 x 10 ⁵ Rads	Good	ASTM D-4101PP0320 FDA CFR177.1520
Nylon 12 — UV Stabilized	176° F — 80° C —40° F — -40° C	5,800	94-HB	N/A	9 x 10 ⁶ Rads	Good	ASTM D-4066PA411

* Elevated temperatures, over time, will affect materials' properties such as tensile strength, stiffness, elongation and appearance.

BURNDY® recommends the evaluation of cable ties in the actual application to determine the suitability of the tie for that application.

Material Performance Guide

Selection	Nylon 6/6 General Purpose	Nylon 6/6 Heat Stab.	Nylon 6/6 UV Stab.	Nylon 6/6 2% Carbon UV Stab.	Nylon 6/6 Flame Ret. V0	Nylon 6/6 High Impact	Poly- propylene	Nylon 12 UV Stab.
Tensile Strength	8	8	8	9	7	8	2	4
High Temp.	2	3	2	2	2	2	2	1
Flammability	5	5	5	5	10	2	2	2
UV Resistance	1	1	5	8	1	2	5	3
Radiation	3	3	3	3	3	3	6	3
Chemical	6	6	6	6	6	6	8	8
— Hydrocarbons	8	8	8	8	8	8	6	8
— Chlorinated	6	6	6	6	6	6	3	8
— Hydrocarbons	2	2	2	2	2	2	8	5
— Acids-Bases	6	6	6	6	6	6	8	6
— Salts	3	3	3	3	3	3	10	8
Relative Cost	Low	Low	Med.	Med.	Med.	Med.	Med.	Med.

1 = Least Recommended 10 = Most Recommended

The following chart is meant to help you understand BURNDY's cable tie catalog numbering system. Not every cable tie is available in every listed option. See below Catalog Numbering System Charts or contact BURNDY® Customer Service for more information.

Gray bars contain catalog number examples.

G-3

Type	Tensile	Bundle Dia.	Feature	Package	Color
CT	50	175		C	
CT = Nylon 6/6 Standard	18 = 18 lbs. 30 = 30 lbs. 40 = 40 lbs.	075 = 3/4" 087 = 7/8" 100 = 1"	CPM = Center Push Mount DL = Double Loop EPR = Extended Pawl Releasable	V = 5 X = 10 Q = 25	0 = UV Black ¹ 00 = UV Black ² 02 = Red
CTAS = Aerial Support	50 = 50 lbs. 100 = 100 lbs. 110 = 110 lbs.	125 = 1-1/4" 137 = 1-3/8" 150 = 1-1/2"	ID = Single Head ID ID2 = Double Head ID ID3 = Triple Head ID	L = 50 C = 100 B = 250 D = 500 M = 1000	1 = Brown 2 = Red 3 = Orange 4 = Yellow 5 = Green 6 = Blue 7 = Purple 8 = Gray 9 = Neon Green 10 = White 11 = Telco Gray 12 = Pink 20 = Black
CTHS = Nylon 6/6 Heat Stabilized	120 = 120 lbs. 175 = 175 lbs. 225 = 225 lbs.	175 = 1-3/4" 200 = 2" 225 = 2-1/4"	FL = ID Flag MH4 = Mounting Hole #4 MH6 = Mounting Hole #6 MH8 = Mounting Hole #8 MH10 = Mounting Hole #10 MH14 = Mounting Hole #14		
CTV = Nylon 6/6 Flame Retardant UL94V-0	250 = 250 lbs. 450 = 450 lbs. 500 = 500 lbs.	250 = 2-1/2" 300 = 3" 325 = 3-1/4"	PM = Push Mount Tie PML = Push Mount Tie w/Louvers PMW = Push Mount Tie w/Wing		
CTPP = Polypropylene	675 = 675 lbs. 700 = 700 lbs. 800 = 800 lbs. 900 = 900 lbs.	350 = 3-1/2" 400 = 4" 425 = 4-1/4" 500 = 5" 600 = 6" 700 = 7" 750 = 7-1/2" 800 = 8" 900 = 9" 1000 = 10" 1100 = 11" 1200 = 12" 1300 = 13" 1400 = 14"	R = Releasable Tie LD = Ladder LP = Low Profile Tie PS = Positive Stop SSB = Stainless Steel Barb FC304 = Fully Coated 304 FC316 = Fully Coated 316 PC304 = Partially Coated 304 PC316 = Partially Coated 316 SSH = Stainless Steel Hook		Blank = Natural
CTSS = Stainless Steel					
CTNT = Nylon 12					
CT-UG = Nylon 6/6 Universal Grade					
CTWR = Weather Resistant					

¹Material: Nylon 6/6 — UV Stabilized

²Material: Nylon 6/6 — 2% Carbon UV Stabilized (Mil. Spec.)

Type	Bundle Diameter	Adhesive/Mounting Type	Figure #	Package	Color
CTB	100	RA		C	0
CTB = Cable Tie Base	075 = 3/4"	RA = Rubber Adhesive	#1	L = 50	0 = UV Black
CTBR = Cable Tie Base Rectangular	125 = 1-1/4" 150 = 1-1/2"	AA = Acrylic Adhesive S = Screw Mounted	#2 #3	C = 100 D = 500 M = 1000	Blank = Natural
CTBRWR = Cable Tie Base Weather Resistant					

Military Specification UNIRAP™ Cable Ties

The BURNDY® cable ties shown below meet the requirements of SAE AS23190A (formerly MIL-S-23190) in accordance with specification MS3367, MS3368, and QPL-23190.

Mil Spec	Distributor Pack Catalog Number	Bulk Pack Catalog Number	Color
MS3367-1-0	CT50175C00	CT50175M00	UV Black ²
MS3367-1-0	CT50175C0	CT50175M0	UV Black ¹
MS3367-1-1	CT50175C1	—	Brown
MS3367-1-2	CT50175C2	CT50175M02	Red
MS3367-1-3	CT50175C3	—	Orange
MS3367-1-4	CT50175C4	—	Yellow
MS3367-1-5	CT50175C5	—	Green
MS3367-1-6	CT50175C6	—	Blue
MS3367-1-7	CT50175C7	—	Purple
MS3367-1-8	CT50175C8	—	Gray
MS3367-1-9	CT50175C	CT50175M	Natural
MS3367-2-0	CT50400C00	CT50400M00	UV Black ²
MS3367-2-0	CT50400C0	CT50400M0	UV Black ¹
MS3367-2-2	CT50400C2	CT50400M02	Red
MS3367-2-3	CT50400C3	—	Orange
MS3367-2-9	CT50400C	CT50400M	Natural
MS3367-3-0	CT120400L00	CT120400D00	UV Black ²
MS3367-3-0	CT120400L0	CT120400D0 CT120400M0	UV Black ¹
MS3367-3-9	CT120400L	CT120400D	Natural
MS3367-4-0	CT18075C00	CT18075M00	UV Black ²
MS3367-4-0	CT18075C0	CT18075M0	UV Black ¹
MS3367-4-9	CT18075C	CT18075M	Natural
MS3367-5-0	CT30125C00	CT30125M00	UV Black ²
MS3367-5-0	CT30125C0	CT30125M0	UV Black ¹
MS3367-5-9	CT30125C	CT30125M	Natural
MS3367-7-0	CT50300C00	CT50300M00	UV Black ²
MS3367-7-0	CT50300C0	CT50300M0	UV Black ¹
MS3367-7-2	CT50300C2	—	Red
MS3367-7-9	CT50300C	CT50300M	Natural
MS3367-10-0	CT175600Q0	—	UV Black ¹
MS3367-10-9	CT175600Q	—	Natural
MS3367-13-0	CT175900Q00	—	UV Black ²
MS3367-13-0	CT1751100Q0	—	UV Black ¹
MS3367-13-9	CT1751100Q	—	Natural

¹Material: Nylon 6/6 UV Stabilized

²Material: Nylon 6/6 2% UV Stabilized - Mil. Spec.

UNIRAP™

NYLON CABLE TIES

UNIRAP™ cable ties are fabricated of one piece Nylon with no metal parts. The straps are tough, resilient, lightweight and abrasion resistant. They offer high tensile strength and are chemically resistant to solvents, alkalies, oils, grease and diluted acids. Self-locking, they secure without twisting or leaving sharp projections.

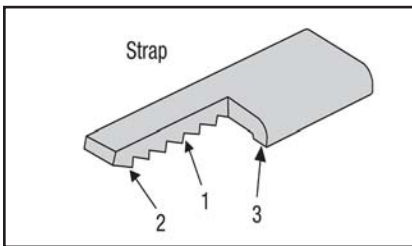
Compact heads and pre-bent tips facilitate cable bundling in a minimum of time and space. UNIRAP™ cable ties are designed for both field and production line use and may be installed easily by hand.

BURNDY® cable ties consist of three components: strap, head, and tail. These components are specifically designed to function together to make BURNDY® UNIRAP™ cable ties superior in quality and performance. Shelf life of 5 years, when stored in original packaging.

Component

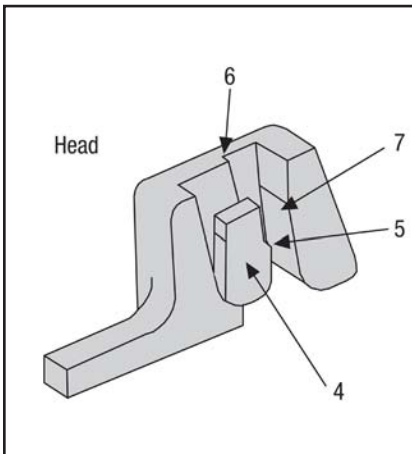
Precision Engineering

Enhanced Performance



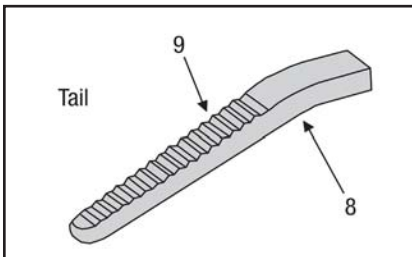
1. Includes load bearing **serrations**.
2. Features **flats** between the serrations.
3. Features the **double outer rail system**.

1. Serrations provide complete adjustability within the fastening range.
2. Flats reduce stress concentrations and help make the tie stronger.
3. Smooth rails promote low drag, as well as minimize chafing.



4. The **pawl** is integrally formed with the head.
5. The **pawl** is stepped in order to wedge against the serrations in the strap to form the lock.
6. The **shoulders**, or the sides of the head, guide the strap and prevent it from disengaging from the pawl during loaded conditions.
7. The **back** supports the strap during the wedging of the lock formation.

4. The locking unit will not disengage. It also promotes low insertion with high pull out force for very easy installation.
5. The tie's ultimate strength achieves optimum levels.
6. Promotes cable tie strength, endurance and longevity.
7. Ensure optimum locking capability.



8. Features a **bent tip**.
9. Includes a **ribbed grip**.

8. Easy pick-up for installers, which leads to fast assembly.
9. Allows for easy, no-slip grip.

G-5

Nylon 6/6 Standard Cable Ties

UNIRAP™ Standard Cable Ties

Type CT

General purpose nylon 6/6 features light weight, high strength and a wide temperature range. It is halogen free so it does not release dangerous gases, such as chlorine, bromine, fluorine, or iodine when burned. Nylon 6/6 is hydroscopic, and therefore absorbs or releases moisture depending on its environment. Thus, the moisture level of the material will affect tensile strength, stiffness, and elongation of the product.



UL62275
Type 2 & 21

UV Black / UV Black (Mil. Spec.) are 2% Carbon UV Stabilized.

G-6

Std Pkg Catalog Number	Color	Max. Bundle Dia. In. [mm]	Min. Tensile Strength (lb)	Length	Width	Installation Tooling		Bulk Pkg Catalog Number	UL Type	Plenum Rated
				in [mm]	in [mm]	Tool	Tool Setting (if applicable)			
Nylon UNIRAP - 18 Lb. Tensile Strength										
CT18075C	Natural (Mil. Spec.)	0.75 [19.1]	18	4.10 [104]	0.10 [2.5]	CTT50 MK9	2 Std.	CT18075M	Type 21 AH-2 UL 62275	Y
CT18075C0	UV Black (Mil. Spec.)							CT18075M0		
CT18075C00	UV Black (Mil. Spec.)							CT18075M00		
CT18125C	Natural	1.25 [31.8]	18	6.10 [155]	0.10 [2.5]	CTT50 MK9	2 Std.	CT18125M		
CT18125C0	UV Black							CT18125M0		
CT18125C3	Orange							-		
CT18125C4	Yellow							-		
CT18200C	Natural	2.00 [50.8]	18	8.10 [206]	0.14 [3.6]	CTT50 MK9	2 Std.	CT18200M		
CT18200C1	Brown							-		
CT18200C2	Red							-		
CT18200C5	Green							-		
CT18200C6	Blue							-		
CT18200C0	UV Black							CT18200M0		
Nylon UNIRAP - 30 Lb. Tensile Strength										
CT30125C	Natural (Mil. Spec.)	1.25 [31.8]	30	5.75 [146]	0.14 [3.6]	CTT50 MK9	2 Std.	CT30125M	Type 21 AH-2 UL 62275	Y
CT30125C0	UV Black (Mil. Spec.)							CT30125M0		
CT30125C00	UV Black (Mil. Spec.)							CT30125M00		

UNIRAP™

Standard Cable Ties (Continued)



UL62275
Type 2 & 21

Std Pkg Catalog Number	Color	Max. Bundle Dia. In. [mm]	Min. Tensile Strength (lb)	Length		Width		Installation Tooling		Bulk Pkg Catalog Number	UL Type	Plenum Rated
				in [mm]	in [mm]	in [mm]	in [mm]	Tool	Tool Setting (if applicable)			
Nylon UNIRAP - 40 Lb. Tensile Strength												
CT40200C	Natural	2.00 [50.8]	40	8.65 [220]	0.14 [3.6]	CTT50 MK9	2 Std.	CT40200M		Type 21 AH-2 UL 62275	Y	
CT40200C0	UV Black							CT40200M0				
CT40200C00	UV Black							CT40200M00				
CT40300C	Natural	3.00 [76.2]		11.10 [282]	0.18 [4.6]	CTT50 MK9	3 Std.	CT40300M				
CT40300C0	UV Black							CT40300M0				
CT40300C00	UV Black							CT40300M00				
CT40400C	Natural	4.00 [101.6]		14.60 [371]	0.18 [4.6]	CTT50 MK9	3 Std.	CT40400M				
CT40400C0	UV Black							CT40400M0				
CT40400C00	UV Black							CT40400M00				
Nylon UNIRAP - 50 Lb. Tensile Strength												
CT50175C	Natural (Mil. Spec.)	1.75 [44.5]	50	7.60 [193]	0.18 [4.6]	CTT50 MK9	3 Std.	CT50175M		Type 21S AH-2 UL 62275	Y	
CT50175C0	UV Black (Mil. Spec.)							CT50175M0				
CT50175C1	Brown (Mil. Spec.)							CT50175M02				
CT50175C2	Red (Mil. Spec.)							-				
CT50175C3	Orange (Mil. Spec.)							-				
CT50175C4	Yellow (Mil. Spec.)							-				
CT50175C5	Green (Mil. Spec.)							-				
CT50175C6	Blue (Mil. Spec.)							-				
CT50175C7	Purple (Mil. Spec.)							-				
CT50175C8	Gray (Mil. Spec.)							-				
CT50175C00	UV Black (Mil. Spec.)							CT50175M00				

G-7

Nylon 6/6 Standard Cable Ties

UNIRAP™

Standard Cable Ties (Continued)



UL62275
Type 2 & 21



UR1565



G-8

Std Pkg Catalog Number	Color	Max. Bundle Dia. In. [mm]	Min. Tensile Strength (lb)	Length	Width	Installation Tooling		Bulk Pkg Catalog Number	UL Type	Plenum Rated
				in [mm]	in [mm]	Tool	Tool Setting (if applicable)			
CT50300C	Natural (Mil. Spec.)	3.00 [76.2]	50	11.10 [282]	0.18 [4.6]	CTT50 MK9	3 Std	CT50300M	Type 21S AH-2 UL 62275	Y
CT50300C0	UV Black (Mil. Spec.)							CT50300M0		
CT50300C2	Red (Mil. Spec.)							-		
CT50300C00	UV Black (Mil. Spec.)							CT50300M00		
CT50400C	Natural (Mil. Spec.)	4.00 [101.6]		14.60 [371]	0.18 [4.6]			CT50400M		
CT50400C0	UV Black (Mil. Spec.)							CT50400M0		
CT50400C2	Red (Mil. Spec.)							CT50400M02		
CT50400C3	Orange (Mil. Spec.)							-		
CT50400C00	UV Black (Mil. Spec.)		CT50400M00							

Nylon UNIRAP - 120 Lb. Tensile Strength

CT120200L	Natural	2.00 [50.8]	120	9.00 [229]	0.30 [7.6]	MK9	Heavy	CT120200D	Type 21S AH-2 UL 62275	Y
CT120200L0	UV Black (Mil. Spec.)							CT120200D0	Type 21 AH-2 UL 62275	
CT120300L	Natural	3.00 [76.2]		12.00 [305]	0.30 [7.6]			CT120300D	Type 21 UL 62275	
CT120300L0	UV Black							CT120300D0	Type 21S AH-2 UL 62275	
CT120400L	Natural (Mil. Spec.)	4.00 [101.6]		15.00 [381]	0.30 [7.6]			CT120400D	Type 21 AH-2 UL 62275	
CT120400L0	UV Black (Mil. Spec.)							CT120400D0	Type 21 AH-2 UL 62275	
CT120400L00	UV Black (Mil. Spec.)							CT120400D00	Type 21 AH-2 UL 62275	
CT120800L	Natural	8.00 [203.2]		28.51 [724]	0.30 [7.6]			-	-	
CT120800L00	UV Black		-			-				

UNIRAP™

Standard Cable Ties (Continued)



UL62275
Type 2 & 21



Std Pkg Catalog Number	Color	Max. Bundle Dia. In. [mm]	Min. Tensile Strength (lb)	Length	Width	Installation Tooling		Bulk Pkg Catalog Number	UL Type	Plenum Rated					
				in [mm]	in [mm]	Tool	Tool Setting (if applicable)								
Nylon UNIRAP - 175 Lb. Tensile Strength															
CT175500Q	Natural	5.50 [139.7]	175	18.10 [460]	0.34 [8.6]	MK9	Heavy	—	Type 21 UL 62275	Y					
CT175500Q0	UV Black										7.00 [177.8]	24.51 [622]	0.35 [8.9]	—	Type 21 AH-2 UL 62275
CT175600Q	Natural (Mil. Spec.)	8.90 [222.1]		32.67 [830]	0.35 [8.9]			—	—						
CT175600Q0	UV Black (Mil. Spec.)										8.75 [222.0]	36.50 [927]	0.34 [8.6]	—	Type 21 AH-2 UL 62275
CT175800Q0	UV Black	11.00 [279.4]		48.00 [1219]	0.35 [8.9]			—	—	N					
CT175900Q	Natural										15.00 [381.0]	48.50 [1232]	0.34 [8.6]	—	—
CT175900Q00	UV Black (Mil. Spec.)														
CT1751100Q	Natural (Mil. Spec.)														
CT1751100Q0	UV Black (Mil. Spec.)														
CT1751400Q0	UV Black														
CT1751500Q	Natural														
Nylon UNIRAP - 250 Lb. Tensile Strength															
CT250600Q	Natural	6.00 [152.4]	250	23.00 [584]	0.35 [8.9]	MK9	Heavy	—	Type 21 UL 62275	N					
CT250600Q0	UV Black										8.00 [203.2]	28.74 [730]	0.35 [8.9]	—	
CT250800Q	Natural	28.50 [724]		0.50 [12.7]	—										
CT250800Q0	UV Black														
CT2501000Q	Natural														

G-9

Nylon 6/6 Identification (CT-IDC) and Push Mount (CT-PM) Cable Ties

UNIRAP™ Identification Cable

Ties

Type CT-ID

Identification cables ties are used in both bundling and identifying the wire groups at the same time. Same material, features and benefits as the Nylon 6/6 Standard Cable Ties.

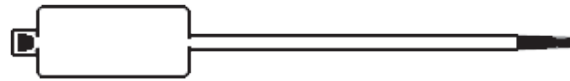


Fig. #1

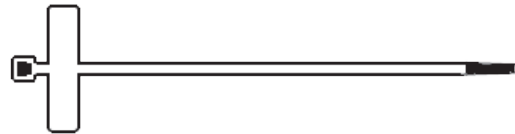


Fig. #2

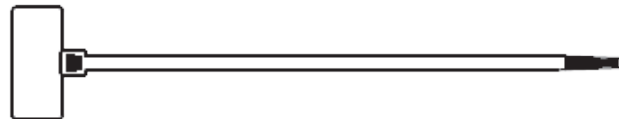


Fig. #3

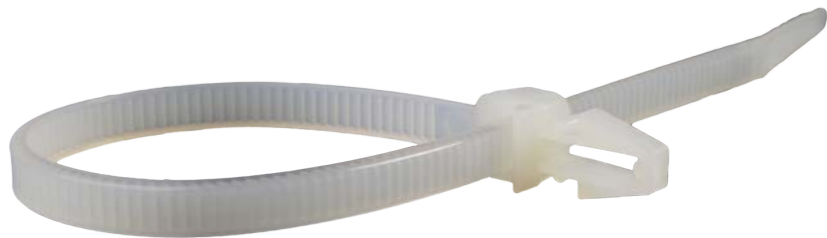
G-10

Std Pkg Catalog Number	Material	Color	Figure	Marking Pad Size Inches	Max Bundle Diameter Inches [mm]	Min Tensile Strength (lbs)	Length Inches [mm]	Width Inches [mm]	Tool	Tool Setting (if applicable)
CT18075FLC	Nylon 6/6	Natural	3	.36 X .81	0.75 [19]	18	4.10 [104]	0.10 [2.5]	CTT50 MK9	2 Std.
CT18075IDC			2	.33 X 1.00	0.75 [19]	18	4.01 [102]	0.10 [2.5]		
CT18200IDC			2	.33 X 1.00	2.09 [53]	18	7.72 [196]	0.10 [2.5]		
CT50175IDC			1	.51 X 1.09	1.75 [44]	50	7.48 [190]	0.18 [4.6]	CTT50 MK9	3 Heavy
CT50250IDC			1	.51 X 1.09	2.95 [75]	50	10.60 [269]	0.19 [4.8]		

UNIRAP™ Push Mount Cable Ties

TYPE CT-PM

Push Mount Cable Ties attach cable bundle to other surface through a pre-drilled hole. One piece design provides extra stability, reliability and consistent performance. Same material and features as the Nylon 6/6 Standard Cable Ties.

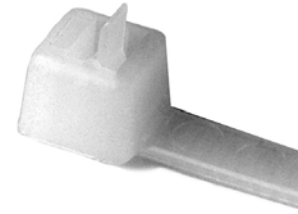
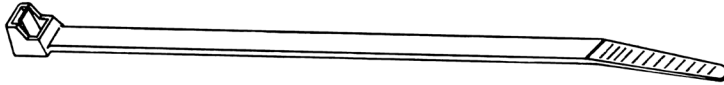


Std Pkg Catalog Number	Material	Color	Max Bundle Diameter In. [mm]	Min Tensile Strength (lb)	Length Inches [mm]	Width Inches [mm]	Tool	Tool Setting (if applicable)
CT50175PMC	Nylon 6/6	Natural	1.75	50	8.50	0.18	CTT50 MK9	2 Heavy
CT50175PMC0		UV Black	[44.5]		[216]	[4.6]		

UNIRAP™ Releasable Cable Ties

Type CT-R

Perfect for prototype construction, releasable ties are ideal for temporary installations. Releasable ties are good for applications where service requires adding or subtracting wires from an existing bundle.



G-11

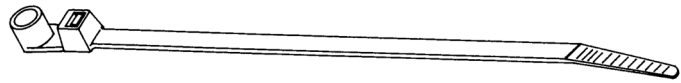
Std Pkg Catalog Number	Material	Color	Max Bundle Diameter In. [mm]	Min Tensile Strength (lbs)	Length Inches [mm]	Width Inches [mm]	Tool	Tool Setting (if applicable)	
CT50175RC	Nylon 6/6	Natural	2.13	50	8.00	0.19 [4]	CTT50 MK9	2 Heavy	
CT50175RC0		UV Black	[54.1]		[198]				
CT50137RC		Natural	1.40	50	6.00				
CT50400RC		Natural	4.00	50	15.20				
CT50400RC0		UV Black	[101.6]		[387]				
CT250200RQ		Natural	2.52	250	9.50	0.49 [12.4]	MK9	Heavy	
CT250200RQ0		UV Black	[64.0]		[241]				
CT250500RQ		Natural	5.00	250	20.00				
CT250500RQ0		UV Black	[127.0]		[509]				
CT250600RQ		Natural	6.00	250	24.30				
CT250600RQ0		UV Black	[152.4]		[618]				
CT250800RQ		Natural	8.00	250	28.50				
CT250800RQ0		UV Black	[203.2]		[724]				
CT2501000RQ		Natural	9.76	250	32.60				
					[248.0]				

Nylon 6/6 Type CT-MH Mounting Hole Cable Ties

UNIRAP™ Mounting Hole Cable Ties

Type CT-MH

Bundling and mounting, one easy installation. Ideal for use where bundle needs to be secured, such as control panels and ceilings. Can be bundled before or after mounting.



G-12

Std Pkg Catalog Number	Color	Screw Size	Max Bundle Diameter In. [mm]	Min Tensile Strength (lbs)	Length Inches [mm]	Width Inches [mm]	Tool	Tool Setting (if applicable)	Bulk Catalog Number
CT18075MH4C	Natural	#4	0.75 [19.1]	18	3.93 [100]	0.10 [3.0]	CTT50 MK9	2 Std.	CT18075MH4M
CT30125MH8C	Natural	#8	1.25 [31.8]	30	6.80 [173]	0.14 [4.0]	CTT50 MK9	2 Std.	CT30125MH8M
CT30125MH8M0*	UV Black								—
CT50175MH10C	Natural	#10	1.75 [44.5]	50	8.10 [206]	0.18 [5.0]	CTT50 MK9	3 Heavy	CT50175MH10M
CT50175MH10C0	UV Black								CT50175MH10M0
CT50400MH10C	Natural	#10	4.00 [101.6]	50	15.10 [384]	0.18 [5.0]	CTT50 MK9	3 Heavy	—
CT50400MH10C0	UV Black								CT50400MH10M0
CT120400MH14L	Natural	1/4"	4.00 [101.6]	120	15.70 [399]	0.30 [8.0]	MK9	Heavy	CT120400MH14D
CT120400MH14L0	UV Black								CT120400MH14D0

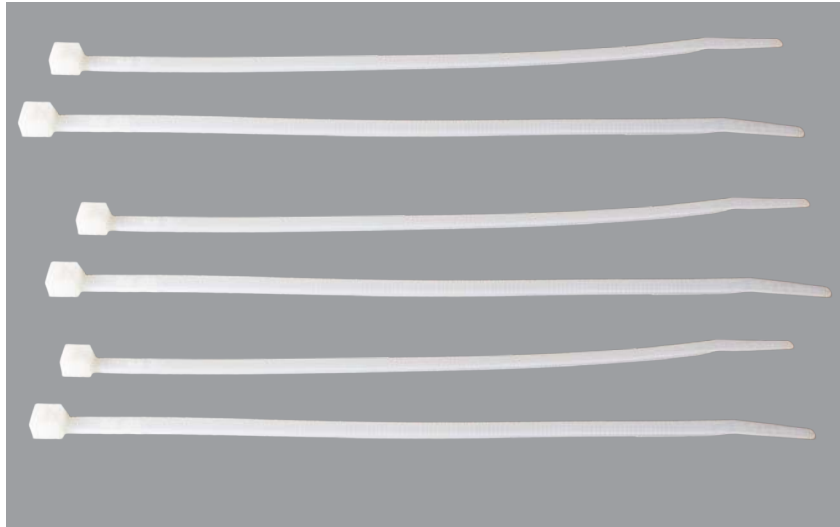
*Only available in Bulk Package of 1000 pieces.

UNIRAP™ Heat Stabilized Cable Ties

Type CTHS

With similar properties and benefits as nylon 6/6, products manufactured with heat stabilized nylon 6/6 material have a chemical stabilizer added for higher continuous temperature applications. Range up to 225° F.

- Good fatigue resistance
- Resistant to chemicals
- Higher temperature range
- Meets the requirements of UL94V-2 flammability rating



G-13

Catalog Number	Material	Color	Max Bundle Diameter In. [mm]	Min Tensile Strength (lbs)	Length Inches [mm]	Width Inches [mm]	Tool	Tool Setting (if applicable)
CTHS18075M	Nylon 6/6 Heat Stabilized	Natural	0.75 [19.1]	18	4.10 [104]	0.10 [2.5]	CTT50 MK9	2 Std.
CTHS40125M			1.25 [31.8]	40	5.75 [146]	0.14 [3.6]	CTT50 MK9	2 Std.
CTHS50300M			3.00 [76.2]	50	11.10 [282]	0.18 [4.6]	CTT50 MK9	3 Heavy
CTHS50400M			4.00 [101.6]	50	14.60 [371]			
CTHS50700M			1.88 [47.8]	50	7.60 [193]			
CTHS120400M			4.00 [101.6]	120	15.00 [381]	0.30 [7.6]	MK9	Heavy

Nylon 6/6 Type CTB Cable Tie Mounting Bases

UNIRAP™

Type CTB STANDARD CABLE TIE MOUNTING BASES

BURNDY® offers a wide variety of mounting bases suited for many applications. Mounting bases are used in conjunction with cable ties to stabilize and secure wire bundles, both indoors and outdoors. Mounting bases can be secured to a surface using rubber based adhesive, acrylic adhesive, or also can be screw mounted.

The Rubber Adhesive has an operating temperature range from 14°F/-10°C to 140°F/60°C; Acrylic Adhesive has a temperature range of 14°F/-10°C to 176°F/80°C. When using the screw mounting option ONLY (not using any adhesive to secure the base) the product has a temperature range of -40°F/-40°C to 185°F/85°C.

These mounting bases are available to accommodate CT18 through CT50 series cable ties. Insertion of ties can be made from all sides. Each mount may be secured with screws, adhesive backing, or both, for ease of application and stability. For applications where higher temperatures, certain chemicals, or UV radiation are a concern and an adhesive is the preferred method for securing, the acrylic adhesive mounting bases are recommended.



Fig. #1



Fig. #2



Fig. #3

G-14

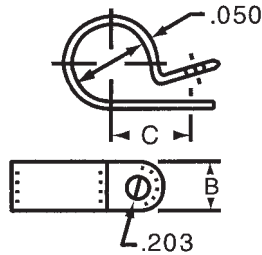
Std Pkg Catalog Number	Mounting Method	Figure #	Color	Min Tensile Strength (lbs)	Max Tie Slot Width [mm]	Width Inches [mm]	Length Inches [mm]	Bulk Catalog Number
CTB075AAF1C	Acrylic Adhesive or #6 or #8 Screw	1	Natural	11	.17 [4.2]	0.75 [19]	0.75 [19]	CTB075AAF1M
CTB075AAF1C0	Acrylic Adhesive or #6 or #8 Screw	1	UV Black	11	.17 [4.2]	0.75 [19]	0.75 [19]	—
CTB075RAF1C	Rubber Adhesive or #6 or #8 Screw	1	Natural	11	.17 [4.2]	0.75 [19]	0.75 [19]	CTB075RAF1M
CTB075RAF1C0	Rubber Adhesive or #6 or #8 Screw	1	UV Black	11	.17 [4.2]	0.75 [19]	0.75 [19]	—
CTB075SF1C	#6 or #8 Screw Only	1	Natural	11	.17 [4.2]	0.75 [19]	0.75 [19]	CTB075SF1M
CTB100AAF2C	Acrylic Adhesive or #10 Screw	2	Natural	36	0.22 [5.5]	1.12 [28.4]	1.12 [28.4]	CTB100AAF2D
CTB100AAF2C0	Acrylic Adhesive or #10 Screw	2	UV Black	36	0.22 [5.5]	1.12 [28.4]	1.12 [28.4]	—
CTB100RAF2L	Rubber Adhesive or #10 Screw	2	Natural	36	0.22 [5.5]	1.12 [28.4]	1.12 [28.4]	CTB100RAF2C CTB100RAF2D
CTB100RAF2C0	Rubber Adhesive or #10 Screw	2	UV Black	36	0.22 [5.5]	1.12 [28.4]	1.12 [28.4]	—
CTB100SF2C	#6 or #8 Screw Only	2	Natural	36	0.22 [5.5]	1.12 [28.4]	1.12 [28.4]	—
CTB150AAF3C	Acrylic Adhesive or #10 Screw	3	Natural	58	0.39 [10]	1.51 [38.4]	1.51 [38.4]	CTB150AAF3D
CTB150RAF3C0	Rubber Adhesive or #10 Screw	3	UV Black	58	0.39 [10]	1.51 [38.4]	1.51 [38.4]	—
CTB150RAF3D	Rubber Adhesive or #10 Screw	3	Natural	58	0.39 [10]	1.51 [38.4]	1.51 [38.4]	—
CTB150SF3C	#10 Screw Only	3	Natural	58	0.39 [10]	1.51 [38.4]	1.51 [38.4]	—
CTB150RA4C	Rubber Adhesive or #10 Screw	3	Natural	58	0.39 [10]	1.51 [38.4]	1.51 [38.4]	—

UNIRAP™ Cable Hangers

Type CH

Cable hangers provide a contact area range of 1/2" to 3/8" in width. All contact edges have a full radius for product protection, and sizes are clearly marked on each clamp.

Cable hangers are injection molded. Available in white and black nylon 6/6.



G-15

Catalog Number	Mounting Screw	Color	Maximum Bundle Inches [mm]	Dimension B Width Inches [mm]	Dimension C (Mount Hole to Center) Inches [mm]	Bulk Catalog Number
CH2C	#6 - #8 Screw	Natural	0.12 [3.1]	0.38 [9.7]	0.33	CH2M
CH2C0	#6 - #8 Screw	UV Black				—
CH3C	#10 Screw	Natural	0.19 [4.8]		0.43	CH3M
CH3C0	#10 Screw	UV Black				—
CH4C	#10 Screw	Natural	0.25 [6.4]		0.41	CH4M
CH4C0	#10 Screw	UV Black				CH4M0
CH5C	#10 Screw	Natural	0.31 [7.9]		0.50	CH5M
CH5C0	#10 Screw	UV Black				—
CH6C	#10 Screw	Natural	0.38 [9.7]		0.60	CH6M
CH6C0	#10 Screw	UV Black				CH6M0
CH7C	#10 Screw	Natural	0.44 [11.2]		0.57	CH7M
CH7C0	#10 Screw	UV Black				—
CH8C	#10 Screw	Natural	0.50 [12.7]		0.61	CH8M
CH8C0	#10 Screw	UV Black				—
CH9C	#10 Screw	Natural	0.56 [14.2]		0.61	CH9M
CH9C0	#10 Screw	UV Black				—
CH10C	#10 Screw	Natural	0.62 [15.8]	0.61	CH10M	
CH10C0	#10 Screw	UV Black			CH10M0	
CH11C	#10 Screw	Natural	0.62 [15.8]	0.50 [12.7]	0.66	CH11M
CH12C	#10 Screw	Natural	0.75 [19.1]		0.78	CH12M
CH12C0	#10 Screw	UV Black				CH12M0
CH14C	#10 Screw	Natural	0.88 [22.4]		0.85	CH14M
CH14C0	#10 Screw	UV Black				—
CH16C	#10 Screw	Natural	1.00 [25.4]		0.91	CH16M
CH18C	#10 Screw	Natural	1.12 [28.5]		0.97	CH18M
CH24L	#10 Screw	Natural	1.50 [38.1]		1.19	CH24C
CH24C0	#10 Screw	UV Black		—		

Nylon 6/6 Type CT-SSB Stainless Steel Barb Cable Ties

UNIRAP™ Stainless Steel Barb Cable Ties

TYPE CT-SSB

The Stainless Steel Barb cable ties (Type CT-SSB) are nylon 6/6 with self-locking stainless steel barbs featuring an oval low-profile head. There are no sharp edges helping prevent damaged cables. CT-SSB ties have a curved tip for faster initial threading to help speed installation and a no slip tail for easy grip during tensioning. CT-SSB ties are currently available in Natural and UV Black. These cable ties are cULus Listed for Wiring Positioning devices.



Type 21

G-16

Features & Benefits

- Nylon 6/6 Standard
- Self-locking stainless steel barb
- Available in UV Black and Natural
- Maximum strength and adjustability for versatility
- Chemically resistant to solvents, oils, grease, and diluted acids
- Rounded edges and bent tail for easy installation
- Safe for air handling spaces
- Plenum rated

Standard Catalog Number	Color	Max Bundle Diameter In. [mm]	Tensile Strength (lbs)	Length Inches [mm]	Width Inches [mm]	Installation Tool	Tool Setting	Bulk Catalog Number					
CT18087SSBC	Natural	0.87 [22.0]	18	3.94 [100]	0.12 [3.0]	CTT50	1	CT18087SSBM					
CT18087SSBC0	UV Black			4.02 [102]				0.09 [2.0]	CT18087SSBM0				
CT18100SSBC	Natural	7.91 [201]							CT18100SSBM				
CT18100SSBC0	UV Black	2.01 [51.1]		40	5.91 [150]			0.14 [3.0]	CTT50 MK9	2 Heavy	CT18100SSBM0		
CT18200SSBC	Natural										7.87 [200]	0.15 [4.0]	CT18200SSBM
CT18200SSBC0	UV Black												11.18 [284]
CT40137SSBC	Natural	1.38 [35.1]	50		7.32 [186]	0.19 [5.0]	CTT50 MK9	4 Heavy			CT40137SSBM		
CT40137SSBC0	UV Black										14.49 [368]	0.19 [5.0]	CT40137SSBM0
CT40200SSBC	Natural	9.84 [250]											0.24 [6.0]
CT40200SSBC0	UV Black			11.61 [295]	0.19 [5.0]	CT40200SSBD0							
CT40300SSBC	Natural	3.15 [80.0]				50			7.87 [200]	0.24 [6.0]	CTT50 MK9	4 Heavy	CT40300SSBD
CT40300SSBC0	UV Black			9.84 [250]	0.19 [5.0]								CT40300SSBD0
CT40400SSBC	Natural	14.49 [368]	0.19 [5.0]				CT40400SSBD						
CT40400SSBC0	UV Black			11.61 [295]	0.19 [5.0]		CT40400SSBD0						
CT50175SSBC	Natural	1.77 [45.0]	50				7.32 [186]	0.19 [5.0]	CTT50 MK9	4 Heavy			CT50175SSBD
CT50175SSBC0	UV Black			9.84 [250]	0.19 [5.0]								CT50175SSBD0
CT50200SSBC	Natural	11.61 [295]				0.19 [5.0]					CT50200SSBB		
CT50200SSBC0	UV Black			9.84 [250]	0.19 [5.0]		CT50200SSBB0						
CT50250SSBC	Natural	2.56 [65.0]				50	7.87 [200]	0.24 [6.0]			CTT50 MK9	4 Heavy	CT50250SSBB
CT50250SSBC0	UV Black			9.84 [250]	0.19 [5.0]								CT50250SSBB0
CT50300SSBC	Natural	11.61 [295]	0.19 [5.0]						CT50300SSBB				
CT50300SSBC0	UV Black			9.84 [250]	0.19 [5.0]		CT50300SSBB0						

UNIRAP™

TYPE CT-SSB Stainless Steel Barb Cable Ties (Continued)

Standard Catalog Number	Color	Max Bundle Diameter In. [mm]	Tensile Strength (lbs)	Length Inches [mm]	Width Inches [mm]	Installation Tool	Tool Setting	Bulk Catalog Number	
CT50400SSBC	Natural	3.94 [100.0]	50	14.33 [364]	0.19 [5.0]	CTT50 MK9	4 Heavy	CT50400SSBB	
CT50400SSBC0	UV Black							CT50400SSBB0	
CT50425SSBC	Natural	4.21 [106.9]		14.96 [380]				CT50425SSBB	
CT50425SSBC0	UV Black							CT50425SSBB0	
CT110200SSBC	Natural	2.01 [51.1]	110	8.70 [221]	0.28 [7.0]	MK9	Heavy	CT110200SSBB	
CT110200SSBC0	UV Black							CT110200SSBB0	
CT110225SSBL	Natural	2.24 [57.0]		9.45 [240]				0.32 [8.0]	CT110225SSBC
CT110225SSBL0	UV Black							CT110225SSBC0	
CT110300SSBL	Natural	2.99 [76.0]		11.81 [300]				0.32 [8.0]	CT110300SSBC
CT110300SSBL0	UV Black								
CT110325SSBC	Natural	3.15 [80.0]						0.28 [7.0]	CT110325SSBB
CT110325SSBC0	UV Black							CT110325SSBB0	
CT110350SSBL	Natural	3.62 [92.0]		13.78 [350]				0.32 [8.0]	CT110350SSBC
CT110350SSBL0	UV Black							CT110350SSBC0	
CT110400SSBL	Natural	4.02 [102.1]		14.88 [378]				0.28 [7.0]	CT110400SSBC
CT110400SSBL0	UV Black								CT110400SSBC0
CT110500SSBL	Natural	5.00 [127.0]		18.11 [460]					CT110500SSBC
CT110500SSBL0	UV Black								CT110500SSBC0
CT110600SSBL	Natural	5.98 [151.9]		21.18 [538]				27.52 [699]	CT110600SSBC
CT110600SSBL0	UV Black								CT110600SSBC0
CT110800SSBL	Natural	7.99 [203.0]			CT110800SSBC				
CT110800SSBL0	UV Black				CT110800SSBC0				
CT120300SSBL	Natural	3.15 [80.0]	120	11.81 [300]	0.39 [10.0]	MK9	Heavy	CT120300SSBC	
CT120300SSBL0	UV Black							CT120300SSBC0	
CT120350SSBL	Natural	3.82 [97.0]		13.78 [350]				CT120350SSBC	
CT120350SSBL0	UV Black							CT120350SSBC0	
CT120400SSBL	Natural	4.33 [110.0]		15.75 [400]				CT120400SSBC	
CT120400SSBL0	UV Black							CT120400SSBC0	
CT120500SSBL	Natural	4.92 [125.0]		17.72 [450]				CT120500SSBC	
CT120500SSBL0	UV Black							CT120500SSBC0	



Nylon 6/6 Type CT-UG Cable Ties

UNIRAP™ Cable Ties

TYPE CT-UG

General purpose nylon 6/6 features light weight, high strength and a wide temperature range. It is halogen free so it does not release dangerous gases, such as chlorine, bromine, fluorine or iodine when burned. Nylon 6/6 is hygroscopic, and therefore, absorbs or releases moisture depending on its environment. Thus, the moisture level of the material will affect tensile strength, stiffness and elongation of the product.



Features & Benefits

- Nylon 6/6 Standard
- Available in UV Black and Natural
- One piece injection molded
- Maximum strength and adjustability for versatility
- Chemically resistant to solvents, oils, grease, and diluted acids
- Rounded edges and bent tip for easy installation
- Self-Locking

G-18

Std Pkg Catalog Number	Color	Max. Bundle Dia. (in) [mm]	Min. Tensile Strength (lb)	Length inch [mm]	Width inch [mm]	Tool	Tool Setting (if applicable)	Bulk Pkg Catalog Number
Nylon UNIRAP - 18 Lb. Tensile Strength								
CT18075CUG	Natural	0.75 [19.1]	18	3.94 [101]	0.10 [2.5]	CTT50 MK9	2 Std.	CT18025MUG
CT18075C0UG	UV Black			7.95 [202]				CT18025M0UG
—	Natural	2.00 [50.8]		CT18200MUG				
CT18200C0UG	UV Black			CT18200M0UG				
Nylon UNIRAP - 30 Lb. Tensile Strength								
CT30125CUG	Natural	1.25 [31.8]	30	5.90 [150]	0.13 [3.3]	CTT50 MK9	2 Std.	CT30125MUG
CT30125C0UG	UV Black			—				
Nylon UNIRAP - 40 Lb. Tensile Strength								
CT40200CUG	Natural	2.00 [50.8]	40	7.90 [201]	0.15 [3.8]	CTT50 MK9	3 Heavy	CT40200MUG
CT40400C0UG	UV Black	4.00 [101.6]		14.50 [368]				—
Nylon UNIRAP - 50 Lb. Tensile Strength								
CT50175CUG	Natural	1.75 [44.5]	50	7.83 [199]	0.18 [4.6]	CTT50 MK9	3 Heavy	CT50175MUG
CT50175C0UG	UV Black			CT50175M0UG				
CT50300CUG	Natural	3.00 [76.2]		11.34 [288]				CT50300MUG
CT50300C0UG	UV Black			CT50300M0UG				
CT50400CUG	Natural	4.00 [101.6]		14.60 [371]				CT50400MUG
CT50400C0UG	UV Black			—				

UNIRAP™

TYPE CT-UG Cable Ties (Continued)

Std Pkg Catalog Number	Color	Max. Bundle Dia. (in) [mm]	Min. Tensile Strength (lb)	Length inch [mm]	Width inch [mm]	Tool	Tool Setting (if applicable)	Bulk Pkg Catalog Number
Nylon UNIRAP - 120 Lb. Tensile Strength								
CT120200L0UG	UV Black	2.00 [50.8]	120	8.87 [225]	0.28 [7.1]	CTT50 MK9	3 Heavy	—
CT120400LUG	Natural	4.00 [101.6]		14.57 [370]				—
CT120400L0UG	UV Black			17.70 [450]				CT120400C0UG
CT120500CUG	Natural	5.00 [127.0]						—
CT120900LUG	Natural	9.00 [228.6]						29.75 [756]
Nylon UNIRAP - 175 Lb. Tensile Strength								
CT175400Q0UG	UV Black	4.00 [101.6]	175	15.00 [381]	0.35 [8.9]	MK9	Heavy	—
CT175600QUG	Natural	6.00 [152.4]		24.00 [610]				—
CT175600Q0UG	UV Black			32.00 [813]				—
CT175900Q0UG	UV Black	9.00 [228.6]						—
CT1751100QUG	Natural	11.00 [279.4]						36.00 [914]
CT1751100Q0UG	UV Black			52.00 [1321]				—
CT1751400QUG	Natural	14.00 [355.6]						—
Nylon UNIRAP - 250 Lb. Tensile Strength								
CT250800Q0UG	UV Black	8.00 [203.2]	250	29.00 [737]	0.50 [12.7]	MK9	Heavy	—

G-19

Nylon 6/6 Type CT-MH-UG Mounting Hole Cable Ties

UNIRAP™ Cable Ties

TYPE CT-MH-UG

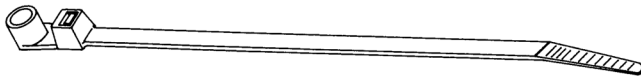
The CT-MH-UG Cable Ties use the same material and have the same benefits of our CT-UG Cable Ties with the addition of a mounting hole. General purpose nylon 6/6 features light weight, high strength and a wide temperature range. It is halogen free so it does not release dangerous gases, such as chlorine, bromine, fluorine or iodine when burned. Nylon 6/6 is hydroscopic, and therefore, absorbs or releases moisture depending on its environment. Thus, the moisture level of the material will affect tensile strength, stiffness and elongation of the product.



Features & Benefits

- Nylon 6/6 Standard
- Available in UV Black and Natural
- One piece injection molded
- Maximum strength and adjustability for versatility
- Chemically resistant to solvents, oils, grease, and diluted acids
- Rounded edges and bent tip for easy installation
- Self-Locking

G-20



Std Pkg Catalog Number	Color	Screw Size	Max Bundle Diameter Inches [mm]	Min Tensile Strength (lbs)	Length Inches [mm]	Width Inches [mm]	Installation Tool	Tool Setting
CT50175MH10CUG	Natural	#10	1.75 [44.5]	50	7.79 [198]	0.18 [4.6]	CTT50 MK9	3 Std.
CT50175MH10C0UG	UV Black			50				
CT50300MH10CUG	Natural		3.00 [76.2]	50	11.73 [298]			
CT50300MH10C0UG	UV Black			50				

UNIRAP™ Mounting Bases

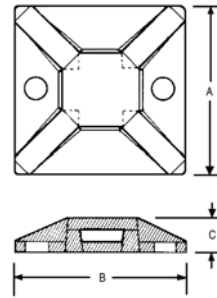
Type CTB-UG

These cable tie mounting bases may be secured with 2 screws and/or a rubber-based adhesive for ease of application and stability. These bases are suited for many applications to stabilize and secure wire buncles, both indoors and outdoors.



Features & Benefits

- Nylon 6/6 Standard
- Chemically resistant to solvents, oils, grease, and diluted acids



G-21

Std Pkg Catalog Number	Mounting Method	Max Tie Slot Width [mm]	Dimension A [mm]	Dimension B [mm]	Dimension C [mm]	Bulk Catalog Number
CTB075RA4CUG	Rubber Adhesive	0.14 [3.56]	0.75 [19.0]	0.75 [19.0]	0.15 [3.8]	—
CTB125RA4CUG	Rubber Adhesive	0.20 [5.08]	1.125 [28.6]	1.125 [28.6]	0.19 [4.8]	CTB125RA4DUG

Nylon 6/6 Type CTASST Cable Tie Variety Canisters

UNIRAP™ Cable Tie Variety Canisters

TYPE CTASST

There are times when a variety of lengths and color would be helpful. The Type CTASST Cable Tie Variety Canisters are perfect when your needs change.



G-22

Catalog Number	Contains						Installation Tool	Tool Setting
	Quantity	Color	Max Bundle Diameter	Tensile Strength (lbs)	Length Inches [mm]	Width Inches [mm]		
CTASST	100	Natural	0.75	18	3.94	0.10	CTT50 MK9	2 Std.
	100	UV Black	[19.1]		[100]	[2.5]		
	200	Natural	1.75	50	7.99	0.13	CTT50 MK9	3 Std.
	100	UV Black	[44.5]		[203]	[3.2]		
	50	Natural	3.00	50	11.02	0.19		
	50	UV Black	[76.2]		[280]	[4.8]		
CTASST500N	200	Natural	0.75	18	4.00	0.10	CTT50 MK9	2 Std.
	100		[19.1]	30	6.00	0.13		
	200		1.75	50	8.00	0.18		
			[44.5]		[203]	[4.5]	CTT50 MK9	3 Std.
CTASST500B	200	UV Black	0.75	18	4.00	0.10	CTT50 MK9	2 Std.
	100		[19.1]	30	6.00	0.13		
	200		1.75	50	8.00	0.18		
			[44.5]		[203]	[4.5]	CTT50 MK9	3 Std.
CTASST650N	300	Natural	0.75	18	4.00	0.10	CTT50 MK9	2 Std.
	300		[19.1]	50	8.00	0.18		
	50		1.75	50	11.00	0.18		
			[44.5]		[203]	[4.5]	CTT50 MK9	3 Std.
CTASST650B	300	UV Black	0.75	18	4.00	0.10	CTT50 MK9	2 Std.
	300		[19.1]	50	8.00	0.18		
	50		1.75	50	11.00	0.18		
			[44.5]		[203]	[4.5]	CTT50 MK9	3 Std.
			[76.2]		[203]	[4.5]	CTT50 MK9	3 Std.

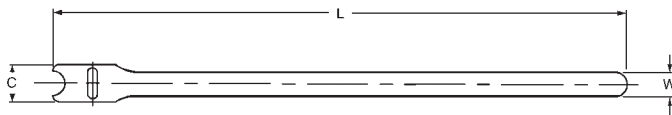
VELCRO® Hook and Loop Straps

TYPE TFV-B

Reusable and flexible, hook and loop straps are a unique self-gripping fastening system. These ties are specifically used on fiberoptic applications.

The TFV-V2 flame retardant straps are UL Listed Wire Positioning Devices (ZODZ), UL94-V2 rated for use in air handling spaces in accordance with the NEC Section 300-22(c) and (d). Perfect for plenum areas.

25 straps are conveniently packaged in each polybag.



G-23

Catalog Number	Product Description	Max Bundle Diameter [mm]	C [mm]	L [mm]	W [mm]	T	Avg. Sheer (PSI)	Avg. Peel (PIW)	Pkg. Qty.
TFV3B12V2	VELCRO® hook and loop strap, 3/4" x 12", Black, 25pk	3.00 [76.2]	0.75 [19.1]	12.00 [305]	0.50 [.27]	0.09	29	0.60	1 package = 25 ties
TFV3B18V2	VELCRO® hook and loop strap, 3/4" x 18", Black, 25pk	5.00 [127.0]		18.00 [457]			29	0.60	
TFV3B6V2	VELCRO® hook and loop strap, 3/4" x 6", Black, 25pk	1.00 [25.4]		6.00 [152]			29	0.60	
TFV3BLU12	VELCRO® hook and loop strap, 3/4" x 12", Royal Blue, 25pk	3.00 [76.2]		12.00 [305]			23	0.50	
TFV3BLU18	VELCRO® hook and loop strap, 3/4" x 18", Royal Blue, 25pk	5.00 [127.0]		18.00 [457]			23	0.50	

Grade 304 Stainless Steel Uncoated Type CTSS Cable Ties

UNIRAP™ Grade 304 Stainless Steel Uncoated

Type CTSS

BURNDY® 304 Stainless Steel ties are designed to secure hoses, cables, poles, pipes, and more when harsh environmental conditions may adversely affect the bundling application.

Used where corrosion, vibration, weathering, radiation, and temperature extremes are a concern. BURNDY® Stainless Steel ties can be used in virtually any indoor, outdoor, and underground application.

These Stainless Steel ties are made from Grade 304 Stainless Steel. Designed with a low profile clamping bearing head with fully adjustable strap accommodating many bundle diameters.



Features & Benefits

- Meet the requirements of ABS
- 304 Grade Stainless Steel
- Suitable for general purpose applications
- Smooth, rounded edges help ensure safe, efficient handling
- Available in a variety of lengths and widths
- Self-locking steel ball design speeds installation and locks into place at any length
- Provides a strong durable method of cable bundling
- Flame retardant and non-toxic for applications where safety from fire is critical

G-24

Catalog Number	Material	Max Bundle Diameter In. [mm]	Min Tensile Strength Lbs.	Length Inches [mm]	Width Inches [mm]	Installation Tool
CTSS225100304C	304 SS	0.99 [25.2]	225	3.94 [100]	0.18 [4.6]	CTTSS900
CTSS225200304C		1.97 [50.0]		7.87 [200]		
CTSS225300304C		3.00 [76.2]		11.81 [300]		
CTSS225400304C		4.02 [102.1]		15.75 [400]		
CTSS225500304C		5.04 [128.0]		19.68 [500]		
CTSS225600304C		6.07 [154.2]		23.62 [600]		
CTSS500200304L	304 SS	1.97 [50.0]	500	7.87 [200]	0.31 [7.9]	CTTSS900
CTSS500300304L		3.00 [76.2]		11.81 [300]		
CTSS500400304L		4.02 [102.1]		15.75 [400]		
CTSS500500304L		5.04 [128.0]		19.68 [500]		
CTSS500600304L		6.07 [154.2]		23.62 [600]		
CTSS500700304L		7.09 [180.1]		27.56 [700]		
CTSS500750304L	7.60 [193.0]	31.50 [800]				
CTSS500800304L	8.12 [206.3]	39.37 [1000]				
CTSS700200304L	304 SS	1.97 [50.0]	700	7.87 [200]	0.50 [12.7]	CTTSS900
CTSS700300304L		3.00 [76.2]		11.81 [300]		
CTSS700400304L		4.02 [102.1]		15.75 [400]		
CTSS700500304L		5.04 [128.0]		19.68 [500]		
CTSS700600304L		6.07 [154.2]		23.62 [600]		
CTSS700700304L		7.09 [180.1]		27.56 [700]		
CTSS700800304L	8.12 [206.3]	39.37 [1000]				
CTSS900200304L	304 SS	1.97 [50.0]	920	7.87 [200]	0.62 [15.9]	CTTSS900
CTSS900300304L		3.00 [76.2]		11.81 [300]		
CTSS900400304L		4.02 [102.1]		15.75 [400]		
CTSS900500304L		5.04 [128.0]		19.68 [500]		
CTSS900600304L		6.07 [154.2]		23.62 [600]		
CTSS900700304L		7.09 [180.1]		27.56 [700]		
CTSS900800304L	8.12 [206.3]	39.37 [1000]				

UNIRAP™ Grade 304 Stainless Steel Partially Coated

TYPE CTSS-PC

BURNDY® Stainless Steel Partially Coated cable ties (Type CTSS-PC) are designed with a steel ball self-locking mechanism. There are no sharp edges which prevents damaged cables. These ties have smooth, rounded edges and polyester coating which add to the safety of the installer. High tensile strength along with the shield of the polyester coating offer a reliable and lasting bundling solution. CTSS-PC ties are currently available in black. BURNDY® Stainless Steel Partially Coated Cable Ties can be used in any indoor, outdoor, or underground application.



Features & Benefits

- Meet the requirements of ABS
- 304 Grade Stainless Steel
- Available in Black only
- Suitable for general purpose applications
- Smooth, rounded edges along with the polyester coating add to the safety of the installer
- Self-locking steel ball design speeds installation and locks into place at any length
- Provides a strong, durable method of cable bundling
- Available in a wide range of lengths and widths
- Halogen free low smoke polyester coating

G-25

Catalog Number	Material	Max Bundle Diameter In. [mm]	Min Tensile Strength Lbs.	Length Inches [mm]	Width Inches [mm]	Installation Tool
CTSS250200PC304L	304 SS	1.97 [50.0]	270	7.87 [200]	0.31 [7.9]	CTTSS900
CTSS250300PC304L		3.00 [76.2]		11.81 [300]		
CTSS250400PC304L		4.02 [102.1]		15.75 [400]		
CTSS250500PC304L		5.04 [128.0]		19.68 [500]		
CTSS250600PC304L		6.06 [153.9]		23.62 [600]		
CTSS250700PC304L		7.09 [180.1]		27.56 [700]		
CTSS250800PC304L		8.11 [206.0]		39.37 [1000]		
CTSS450200PC304L	304 SS	1.97 [50.0]	450	7.87 [200]	0.50 [12.7]	CTTSS900
CTSS450300PC304L		3.00 [76.2]		11.81 [300]		
CTSS450400PC304L		4.02 [102.1]		15.75 [400]		
CTSS450500PC304L		5.04 [128.0]		19.68 [500]		
CTSS450600PC304L		6.06 [153.9]		23.62 [600]		
CTSS450700PC304L		7.09 [180.1]		27.56 [700]		
CTSS450800PC304L		8.11 [206.0]		39.37 [1000]		
CTSS675200PC304Q	304 SS	1.97 [50.0]	675	7.87 [200]	0.62 [15.9]	CTTSS900
CTSS675300PC304Q		3.00 [76.2]		11.81 [300]		
CTSS675400PC304Q		4.02 [102.1]		15.75 [400]		
CTSS675500PC304Q		5.04 [128.0]		19.68 [500]		
CTSS675600PC304Q		6.06 [153.9]		23.62 [600]		
CTSS675700PC304Q		7.09 [180.1]		27.56 [700]		
CTSS675800PC304Q		8.11 [206.0]		39.37 [1000]		

Grade 304 Stainless Steel Fully Coated Type CTSS-FC Cable Ties

UNIRAP™ Grade 304 Stainless Steel Fully Coated

Type CTSS-FC

The Stainless Steel Fully Coated cable ties (Type CTSS-FC) are designed with a steel ball type locking mechanism. There are no sharp edges which prevents damaged cables. These ties have smooth, rounded edges and polyester coating which add to the safety of the installer. High tensile strength along with the shield of the polyester coating offers a reliable and lasting bundling solution. Type CTSS-FC ties are currently available only in black. BURNDY® stainless steel fully coated cable ties can be used in any indoor, outdoor, or underground application.



Features & Benefits

- Meet the requirements of ABS
- 304 Grade Stainless Steel
- Available in Black only
- Suitable for general purpose applications
- Smooth, rounded edges along with the polyester coating add to the safety of the installer
- Self-locking steel ball design speeds installation and locks into place at any length
- Provides a strong, durable method of cable bundling
- Available in a wide range of lengths and widths
- Halogen free low smoke polyester coating

G-26

Catalog Number	Material	Max Bundle Diameter In. [mm]	Min Tensile Strength Lbs.	Length Inches [mm]	Width Inches [mm]	Installation Tool
CTSS100100FC304C	304 SS	0.98 [24.9]	160	3.94 [100]	0.18 [4.6]	CTSS900
CTSS100200FC304C		1.97 [50.0]		7.87 [200]		
CTSS100300FC304C		3.00 [76.2]		11.81 [300]		
CTSS100400FC304C		4.02 [102.1]		15.75 [400]		
CTSS100500FC304C		5.04 [128.0]		19.68 [500]		
CTSS100600FC304C		6.07 [154.2]		23.62 [600]		
CTSS100800FC304C		8.11 [206.0]		31.50 [800]		
CTSS250200FC304L	304 SS	1.97 [50.0]	250	7.87 [200]	0.31 [7.9]	CTSS900
CTSS250300FC304L		3.00 [76.2]		11.81 [300]		
CTSS250400FC304L		4.02 [102.1]		15.75 [400]		
CTSS250500FC304L		5.04 [128.0]		19.68 [500]		
CTSS250600FC304L		6.06 [153.9]		23.62 [600]		
CTSS250700FC304L		7.09 [180.1]		27.56 [700]		
CTSS250800FC304L		8.11 [206.0]		39.37 [1000]		
CTSS450200FC304L	304 SS	1.97 [50.0]	450	7.87 [200]	0.50 [12.7]	CTSS900
CTSS450300FC304L		3.00 [76.2]		11.81 [300]		
CTSS450400FC304L		4.02 [102.1]		15.75 [400]		
CTSS450500FC304L		5.04 [128.0]		19.68 [500]		
CTSS450600FC304L		6.06 [153.9]		23.62 [600]		
CTSS450700FC304L		7.09 [180.1]		27.56 [700]		
CTSS450800FC304L		8.11 [206.0]		39.37 [1000]		
CTSS675200FC304Q	304 SS	1.97 [50.0]	675	7.87 [200]	0.62 [15.9]	CTSS900
CTSS675300FC304Q		3.00 [76.2]		11.81 [300]		
CTSS675400FC304Q		4.02 [102.1]		15.75 [400]		
CTSS675500FC304Q		5.04 [128.0]		19.68 [500]		
CTSS675600FC304Q		6.06 [153.9]		23.62 [600]		
CTSS675700FC304Q		7.09 [180.1]		27.56 [700]		
CTSS675800FC304Q		8.11 [206.0]		39.37 [1000]		

UNIRAP™ Grade 316 Stainless Steel Uncoated

TYPE CTSS

BURNDY® Stainless Steel ties (Type CTSS) are designed to secure hoses, cables, poles, pipes, and more when harsh environmental conditions may adversely affect the bundling application. Used where corrosion, vibration, weathering, radiation, and temperature extremes are a concern, BURNDY® Stainless Steel ties can be used in virtually any indoor, outdoor, and underground application.

BURNDY® Stainless Steel ties are made from Grade 316 Stainless Steel. This tie is designed with a low profile clamping bearing head with fully adjustable strap accommodating many bundle diameters.



Features & Benefits

- Meet the requirements of ABS
- 316 Grade Stainless Steel
- Suitable for rigorous corrosive conditions
- Smooth, rounded edges help ensure safe efficient handling
- Available in a wide range of lengths and widths
- Self-locking steel ball design speeds installation and locks into place at any length
- Provides a strong, durable method of cable bundling
- Flame retardant and non-toxic for applications where safety from fire is critical

G-27

Catalog Number	Material	Max Bundle Diameter In. [mm]	Min Tensile Strength Lbs.	Length Inches [mm]	Width Inches [mm]	Installation Tool
CTSS225100316C	316 SS	0.99 [24.9]	225	3.94 [100]	0.18 [4.6]	CTTSS900
CTSS225200316C		1.97 [50.0]		7.87 [200]		
CTSS225300316C		3.00 [76.2]		11.81 [300]		
CTSS225400316C		4.02 [102.1]		15.75 [400]		
CTSS225500316C		5.04 [128.0]		19.68 [500]		
CTSS225600316C		6.07 [154.2]		23.62 [600]		
CTSS500200316C	316 SS	1.97 [50.0]	500	7.87 [200]	0.31 [7.9]	CTTSS900
CTSS500300316C		3.00 [76.2]		11.81 [300]		
CTSS500400316L		4.02 [102.1]		15.75 [400]		
CTSS500500316L		5.04 [128.0]		19.68 [500]		
CTSS500600316L		6.07 [154.2]		23.62 [600]		
CTSS500700316L		7.09 [180.1]		27.56 [700]		
CTSS500750316L		7.60 [193.0]		31.50 [800]		
CTSS500800316L		8.12 [206.3]		39.37 [1000]		
CTSS700200316L	316 SS	1.97 [50.0]	700	7.87 [200]	0.50 [12.7]	CTTSS900
CTSS700300316L		3.00 [76.2]		11.81 [300]		
CTSS700400316L		4.02 [102.1]		15.75 [400]		
CTSS700500316L		5.04 [128.0]		19.68 [500]		
CTSS700600316L		6.07 [154.2]		23.62 [600]		
CTSS700700316L		7.09 [180.1]		27.56 [700]		
CTSS700800316L		8.12 [206.3]		39.37 [1000]		
CTSS900200316L	316 SS	1.97 [50.0]	920	7.87 [200]	0.62 [15.9]	CTTSS900
CTSS900300316L		3.00 [76.2]		11.81 [300]		
CTSS900400316L		4.02 [102.1]		15.75 [400]		
CTSS900500316L		5.04 [128.0]		19.68 [500]		
CTSS900600316L		6.07 [154.2]		23.62 [600]		
CTSS900700316L		7.09 [180.1]		27.56 [700]		
CTSS900800316L		8.12 [206.3]		39.37 [1000]		

Grade 316 Stainless Steel Partially Coated Type CTSS-PC Cable Ties

UNIRAP™ Grade 316 Stainless Steel Partially Coated

Type CTSS-PC

The Stainless Steel Partially Coated cable ties (Type CTSS-PC) are designed with a steel ball type locking mechanism. There are no sharp edges which prevents damaged cables. These ties have smooth, rounded edges and polyester coating which add to the safety of the installer. High tensile strength along with the shield of the polyester coating offers a reliable and lasting bundling solution. Type CTSS-PC ties are currently available only in black. BURNDY® stainless steel partially coated cable ties can be used in any indoor, outdoor, or underground applicaiton.



Features & Benefits

- Meet the requirements of ABS
- 316 Grade Stainless Steel
- Available in Black only
- Suitable for rigorous corrosive conditions
- Smooth, rounded edges along with the polyester coating add to the safety of the installer
- Self-locking steel ball design speeds installation and locks into place at any length
- Provides a strong, durable method of cable bundling
- Available in a wide range of lengths and widths
- Halogen free low smoke polyester coating

G-28

Catalog Number	Material	Max Bundle Diameter In. [mm]	Min Tensile Strength Lbs.	Length Inches [mm]	Width Inches [mm]	Installation Tool
CTSS250200PC316L	316 SS	1.97 [50.0]	270	7.87 [200]	0.31 [7.9]	CTSS900
CTSS250300PC316L		3.00 [76.2]		11.81 [300]		
CTSS250400PC316L		4.02 [102.1]		15.75 [400]		
CTSS250500PC316L		5.04 [128.0]		19.68 [500]		
CTSS250600PC316L		6.06 [153.9]		23.62 [600]		
CTSS250700PC316L		7.09 [180.1]		27.56 [700]		
CTSS250800PC316L		8.11 [206.0]		39.37 [1000]		
CTSS450200PC316L	316 SS	1.97 [50.0]	450	7.87 [200]	0.50 [12.7]	CTSS900
CTSS450300PC316L		3.00 [76.2]		11.81 [300]		
CTSS450400PC316L		4.02 [102.1]		15.75 [400]		
CTSS450500PC316L		5.04 [128.0]		19.68 [500]		
CTSS450600PC316L		6.06 [153.9]		23.62 [600]		
CTSS450700PC316L		7.09 [180.1]		27.56 [700]		
CTSS450800PC316L		8.11 [206.0]		39.37 [1000]		
CTSS675200PC316Q	316 SS	1.97 [50.0]	675	7.87 [200]	0.62 [15.9]	CTSS900
CTSS675300PC316Q		3.00 [76.2]		11.81 [300]		
CTSS675400PC316Q		4.02 [102.1]		15.75 [400]		
CTSS675500PC316Q		5.04 [128.0]		19.68 [500]		
CTSS675600PC316Q		6.06 [153.9]		23.62 [600]		
CTSS675700PC316Q		7.09 [180.1]		27.56 [700]		
CTSS675800PC316Q		8.11 [206.0]		39.37 [1000]		

UNIRAP™ Grade 316 Stainless Steel Fully Coated

TYPE CTSS-FC

BURNDY® Stainless Steel Fully Coated cable ties (Type CTSS-FC) are designed with a steel ball self-locking mechanism. There are no sharp edges which prevents damaged cables. These ties have smooth, rounded edges and polyester coating which add to the safety of the installer. High tensile strength along with the shield of the polyester coating offer a reliable and lasting bundling solution. Type CTSS-FC ties are currently available in black only. BURNDY® Stainless Steel fully coated cable ties can be used in any indoor, outdoor, or underground application.

Features & Benefits

- Meet the requirements of ABS
- 316 Grade Stainless Steel
- Available in black only
- Suitable for rigorous corrosive conditions
- Smooth, rounded edges help ensure safe efficient handling
- Available in a wide range of lengths and widths
- Self-locking steel ball design speeds installation and locks into place at any length
- Provides a strong, durable method of cable bundling
- Flame retardant and non-toxic for applications where safety from fire is critical



G-29

Catalog Number	Material	Max Bundle Diameter In. [mm]	Min Tensile Strength Lbs.	Length Inches	Width Inches	Installation Tool
CTSS100100FC316C	316 SS	0.98 [24.9]	160	3.94 [100]	0.18 [4.6]	CTSS900
CTSS100200FC316C		1.97 [50.0]		7.87 [200]		
CTSS100300FC316C		3.00 [76.2]		11.81 [300]		
CTSS100400FC316C		4.02 [102.1]		15.75 [400]		
CTSS100500FC316C		5.04 [128.0]		19.68 [500]		
CTSS100600FC316C		6.07 [154.2]		23.60 [600]		
CTSS100800FC316C		8.11 [206.0]		31.50 [800]		
CTSS250200FC316L	316 SS	1.97 [50.0]	250	7.87 [200]	0.31 [7.9]	CTSS900
CTSS250300FC316L		3.00 [76.2]		11.81 [300]		
CTSS250400FC316L		4.02 [102.1]		15.75 [400]		
CTSS250500FC316L		5.04 [128.0]		19.68 [500]		
CTSS250600FC316L		6.06 [153.9]		23.62 [600]		
CTSS250700FC316L		7.09 [180.1]		27.56 [700]		
CTSS250800FC316L		8.11 [206.0]		39.37 [1000]		
CTSS450200FC316L	316 SS	1.97 [50.0]	450	7.87 [200]	0.50 [12.7]	CTSS900
CTSS450300FC316L		3.00 [76.2]		11.81 [300]		
CTSS450400FC316L		4.02 [102.1]		15.75 [400]		
CTSS450500FC316L		5.04 [128.0]		19.68 [500]		
CTSS450600FC316L		6.06 [153.9]		23.62 [600]		
CTSS450700FC316L		7.09 [180.1]		27.56 [700]		
CTSS450800FC316L		8.11 [206.0]		39.37 [1000]		
CTSS675200FC316Q	316 SS	1.97 [50.0]	675	7.87 [200]	0.62 [15.9]	CTSS900
CTSS675300FC316Q		3.00 [76.2]		11.81 [300]		
CTSS675400FC316Q		4.02 [102.1]		15.75 [400]		
CTSS675500FC316Q		5.04 [128.0]		19.68 [500]		
CTSS675600FC316Q		6.06 [153.9]		23.62 [600]		
CTSS675700FC316Q		7.09 [180.1]		27.56 [700]		
CTSS675800FC316Q		8.11 [206.0]		39.37 [1000]		

WILEY Bundle Strap - Wire Management Bundle Strap

WILEY Bundle Strap Wire Management Bundle Strap Solutions

The WILEY Bundle Strap is made of corrosion resistant 304 stainless steel, which makes for a durable, long lasting and reliable solution in all environments. The vinyl jacket covering the 304 stainless steel wire is designed to help protect cable insulation from damage. The WILEY Bundle Strap is easy to install and can be crimped in the field with electrician linesman pliers or standard wire cutters. The crimp includes a retention feature that allows for a quick, effortless, and secure installation. Custom designs available upon request.

Features & Benefits

- High quality, long-lasting, labor savings, wire management solution
- UV guarded vinyl jacketed 304 stainless steel wire with 304 stainless steel crimp
- Vinyl jacket designed to help protect cable insulation from damage
- 304 stainless steel crimp sleeve allows for quick and easy installation
- Can be crimped in the field with electrician linesman pliers or standard wire cutters
- Retention feature allows for a quick, effortless, secure installation
- Lasts the lifetime of the PV system
- RoHS compliant
- Custom Solutions available upon request



Wiley Bundle Strap using Mounting Hole



Wiley Bundle Strap used around the Mounting Rail

G-30

Catalog Number	Material	Length Inches [mm]	Diameter Inches [mm]	Min Tensile Strength Lbs.	Max. Bundle Diameter Inches [mm]
WBS8V	Vinyl Insulated 304 SS Wire	8" [203.2]	0.059" [1.5]	100 lbs	2.30" [58.4]
WBS10V		10" [254.0]			2.92" [74.2]
WBS12V		12" [304.8]			3.88" [98.5]
WBS14V		14" [356.0]			4.20" [106.7]
WBS20V		20" [508.0]			6.36" [161.5]



ACC-FBC Mounting Platform for use with WBS or UNIRAP™ Cable Ties.

The ACC-FBC mounts directly to the Module Frame.



ACC-FBC Mounting Platform allows for parallel or perpendicular orientation of the UNIRAP™ Cable Tie or Wiley Bundle Strap.

Catalog Number	Frame Thickness	Length Inches [mm]	Width Inches [mm]	Height Inches [mm]	Max. Cable Tie Width Accommodated Inches [mm]
ACC-FBC	1.3mm to 2.5mm	0.55" [14]	0.48" [12.2]	0.27" [7]	0.31" [8]

Cable Tie Tools

Types MK, CTT, and CTTSS

Ergonomics and the prevention of repetitive motion injuries, coupled with the need to continually improve assembly efficiencies and procedures, are a major concern with most cable tie users. BURNDY® cable tie tools effectively address both issues. BURNDY® has world class cable tie tools to complement its line of quality cable ties. These tools are truly state-of-the-art both in design and performance.

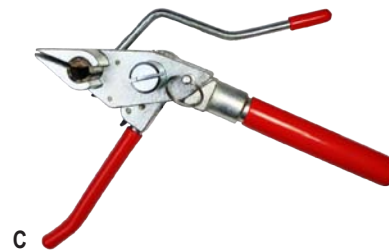
BURNDY® tools make it easier for operators to install cable ties, while maintaining correct tension and flush cut-off. Worker safety is further enhanced as the tools can eliminate the sharp edges of a cut-off cable tie.



A



B


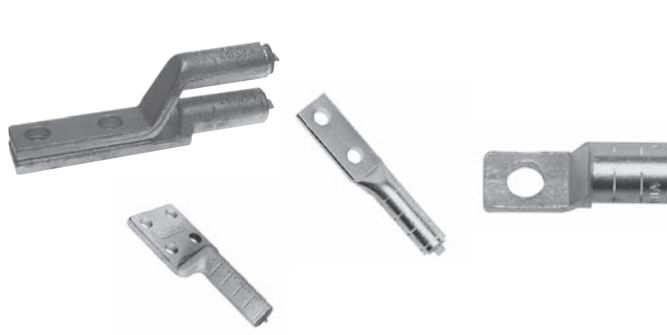


C

G-31

Catalog Number	Ref. Figure	Description	For Use On
MK9	A	Adjustable Tensioning Tool for Width 0.19" to 0.35"	Nylon 18-250 lbs
CTT50	B	Adjustable Tensioning Tool for Width 0.10" to 0.19"	Nylon up to 50 lbs
CTTSS900	C	Stainless Steel Tie Tool	SS Ties up to 900 lbs

TABLE OF CONTENTS

	<p>TAP CONNECTORS</p>	<p>H-3 - H-20 H-21 - H-40 H-41 - H-43</p>
	<p>COMPRESSION SPLICES</p>	<p>H-46 - H-48 H-49 H-50 - H-54 H-55 H-56 - H-68</p>
	<p>DEADEND FITTING AND ACCESSORIES</p>	<p>H-70 - H-71 H-72 - H-73</p>
	<p>COMPRESSION TERMINALS AND ACCESSORIES</p>	<p>H-75 - H-80</p>

H-1

TAP CONNECTORS

TABLE OF CONTENTS

MECHANICAL (BOLTED)		Types YPC-A-U & YPC-R-U	H-26
Mechanical Tap Connectors	H-3	Type CC	H-27
Types KS & KS-3	H-4	Seven Connector Selector Chart	H-28
Type SC	H-5	Types YHO & YHD	H-29
Type KSU	H-5	Types YHN & YHR	H-30
Type KVS	H-6	LOKTAP™	H-31
Type KVSW	H-6	Type YCT	H-32
Type KVSU	H-7	Type YOT	H-32
Type KVS-A	H-8	Type YTU-R-R	H-33
Type VG	H-9	Type YTA-R-2N	H-34
Types UC-L, UC-K	H-10	Types YKA-R-2N	H-35
Type CP-A	H-11	Type YSA-R-2N	H-36
Type VP	H-12	Type YTA-2N	H-36
Type UW-R	H-12	Type YKA-2N	H-37
Type UC	H-13	Type YCB-R	H-38
Type CP	H-13	Types YCB-U & YCB-R-U	H-39
Type QPX	H-14	Types J990 & J1252	H-39
Type VT	H-15	Types YHO-J, YHD-J, YHN-J	H-40
Types UCG-R & UCG-RS	H-16	TRANSFORMER AND EQUIPMENT	
Types UC-R & UC-RS	H-16	Type E-C-G	H-41
Type UCT	H-17, H-18	Types KC2 & EQC632C	H-42
Types UC KIT, UCCOVER1 & UCTCOVER	H-19	Type YA-2LH	H-42
Type LSC	H-20	Type YE-LH	H-43
		Type YE-R, YE-W	H-43
COMPRESSION			
Compression Tap Connectors	H-21		
Type YC-C	H-22		
Type YP-C	H-22		
Type YC-A	H-23		
Type YP-U	H-24		
Type YPC-U	H-25		
Type YC-U	H-26		

MECHANICAL (BOLTED) TAP CONNECTORS

The BURNDY line of mechanical tap connectors is the most complete, dependable and economical available. These mechanical connectors consist of service, parallel, and midspan types.

Generally the alloys and hardware used depend on whether the connector is for a strain or current carrying application, and is made of aluminum or copper. Particular alloys and hardware are selected for strength, conductivity, durability, ductility and resistance to corrosion.

In a copper connector, high strength alloys are used in mechanical clamping components and high conductivity alloy in current carrying elements.

Aluminum clamp type connectors are made of alloy 356, which is impervious to stress corrosion. In its heat-treated state, it has high strength and

is used for both current carrying and clamping elements.

Hardware is high strength and corrosion-resistant. In copper connectors, DURIMUM™, a silicon bronze alloy, is used. Anodized aluminum alloy 2024-T4 bolts and 6061-T6 nuts are used in aluminum connectors. They provide the best combination of strength, resistance to galling and corrosion, and their thermal coefficient of expansion is most suitable for aluminum. To insure dependable connections, bolts should be tightened to the recommended torque values shown in the specific product table or in the table below.

These mechanical tap connectors are mainly used in overhead distribution systems to provide primary service taps and/or secondary service drop connections to the end users.

A few of the key features and benefits of these connectors are:

Features and Benefits

- High strength alloys
 - ◇ Provides efficient and reliable performance
- Range taking
 - ◇ Accommodates a large range of conductors in either groove reducing inventory to a minimum
- Matched groove designs
 - ◇ Ensures maximum contact with conductors accommodated
- Hex bolts, nuts and washers
 - ◇ Provides high contact pressure and rapid assembly

H-3

Recommended Tightening Torque		Standard Wrench Size	
Bolt Size	Recommended Torque (Inch Lbs.)	Bolt	Nut
DURIUM™ and Galvanized Hardware			
1/4 - 20	80	7/16	7/16
5/16 - 18	180	1/2	1/2
3/8 - 16	240	9/16	9/16
1/2 - 13	480	3/4	3/4
5/8 - 11	660	15/16	15/16
3/4 - 10	1050	1-1/8	1-1/8
Aluminum Hardware*			
1/2 - 13	300	3/4	3/4
5/8 - 11	480	15/16	15/16
3/4 - 10	620	1-1/8	1-1/8

* Aluminum bolts are lubricated.
If no tightening torque is listed in the following catalog pages, use values in table above.

Torque Range	Recommended BURNDY® Torque Wrench
30 - 150 in-lbs	BTW30150
150 - 750 in-lbs	BTW150750



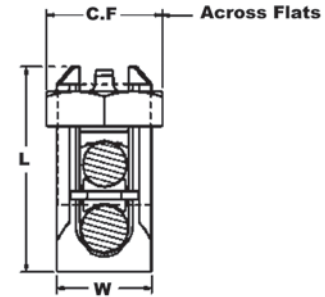
TYPES KS & KS-3

SERVIT®

ACCOMMODATES: COPPER,
COPPERWELD

MATERIAL: COPPER

Compact, high strength, high copper alloy SERVIT® split-bolt has free-running threads and easy to grip wrench flats. Highly resistant to season cracking and corrosion, the SERVIT® provides maximum pressure and assures a secure connection on all combinations of run and tap conductors. Type KS-3 accommodates 3 maximum size conductors.



H-4

Catalog Number	L	W	Conductor						Recommended Tightening Torque(in-lb)	Wrench Size (across flats)
			Copper		Copperweld					
			Range for Equal Run and Tap	Min. Tap with Max. Run	Sol.	Str.	Type A	Type D		
† KS90	0.85	0.38	12 Str. - 10 Str.	16 Str.	#10	—	—	—	80	1/2
† KS15	0.85	0.38	10 Str. - 8 Str.	14 Str.	#8	—	—	—		
† KS17	1.14	0.45	8 Str. - 6 Sol.	14 Str.	#6	3 #12	8A	9-1/2D	165	5/8
* KS17-3	0.98	0.70	8 Str. - 6 Sol.	16 Str.	#6	3 #12	8A	9-1/2D		
† KS20	1.20	0.51	8 Str. - 4 Sol.	14 Str.	#4	3 #10	6A	8D		11/16
* KS20-3	1.17	0.78	8 Str. - 4 Sol.	14 Str.	#4	3 #10	6A	8D		
† KS22	1.50	0.60	6 Str. - 2 Sol.	14 Str.	#2	3 #8	4A	6D	275	3/4
* KS22-3	1.33	0.84	6 Str. - 2 Sol.	14 Str.	#2	3 #8	4A	6D		
† KS23	1.54	0.62	6 Str. - 2 Str.	14 Str.	#1	3 #7	3A	5D	385	7/8
† KS25	1.77	0.73	4 Str. - 1/0 Str.	14 Str.	2/0	3 #5	2A	4D		
† KS26	1.94	0.82	2 Str. - 2/0 Str.	14 Str.	3/0	7 #7	—	—	500	1-1/16
† KS27	1.86	1.17	1 Str. - 3/0 Str.	8 Sol.	—	—	—	—		
† KS29	2.07	1.17	1 Str. - 250	8 Str.	4/0	7 #5	—	—	650	1-7/16
† KS31	2.51	1.41	1/0 Str. - 350	1/0 Str.	—	19 #8	—	—		
† KS34	2.79	1.48	2/0 Str. - 500	2/0 Str.	—	19 #6	—	—	825	2-3/16
KS39	3.29	1.94	4/0 Str. - 750	4/0 Str.	—	19 #5	—	—		
KS44	3.73	2.19	300 - 1000	4/0 Str.	—	—	—	—	1100	2-9/16

▲ Listed torque values are for maximum conductor combinations accommodated. Consult UL486 Tables 7-4, 7-5, 7-6 for smaller conductor combinations.

See note page A-2

* Not UL Listed or CSA Certified.

† In addition to UL Listed for wire connectors and CSA Certified, these items are also UL rated for direct burial.

To ensure proper tightening torque use BURNDY® BTW Torque Wrenches.

TYPE SC

SERVIT® COVER

HUG-A-BUG

Used indoors or outdoors this compact, one-piece plastic SERVIT® cover, saves time and material, eliminates costly taping of split-bolts. Positive latch snaps easily and quickly over connector, ideal for tight quarters. Self positioning plastic fingers wrap around wires fully insulating joint. UL Listed for 600 volt indoor application. Three covers accommodate a range of 6 SERVIT® sizes through 2/0 Str.



Catalog Number	Conductor Range				*For Use with	For Use with
	Range for Equal Run/Tap		Min. Tap/Max. Run			
	Min.	Max.	Min.	Max.		
SC4	8 Str.	6 Sol.	14 Str.	6 Sol.	KS17	—
SC4	8 Str.	4 Sol.	14 Str.	4 Sol.	KS20	—
SC2	6 Str.	2 Sol.	14 Str.	2 Sol.	KS22	KSA6
SC2	6 Str.	2 Str.	14 Str.	2 Str.	KS23	KSA4
SC2/0	4 Str.	1/0 Str.	14 Str.	1/0 Str.	KS25	KSA2
SC2/0	2 Str.	2/0 Str.	14 Str.	2/0 Str.	KS26	KSA1/0

* UL Listing of Type SC Cover applies to use on BURNDY® SERVIT® Type KS and to equivalent split-bolt connectors indicated strip length is maintained,

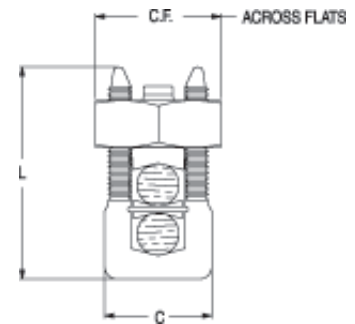
maximum indicated conductor sizes are not exceeded, and connector is properly located within recess provided for it.

TYPE KSU

UNIVERSAL SERVIT®

ACCOMMODATES: COPPER, COPPERWELD, AAC, ACSR, AAAC AND STEEL

MATERIAL: COPPER (TIN PLATED)



486A
Copper Only

Tin-plated, high strength copper alloy SERVIT® with spacer. Spacer separates dissimilar conductors and provides long contact length that prevents high pressure point contacts between run and tap conductors. Use of PENETROX™

joint compound recommended with Aluminum and ACSR to limit oxide growth and increase life of connection. To ensure proper tightening torque use BURNDY® BTW Torque Wrenches.

Catalog Number	L	C	Run		Tap		Max. Conductor			Recommended Tightening Torque in-lb	Wrench Size (across Flats)
			Copper & Aluminum	ACSR / AAAC / 5005	Copper & Aluminum	ACSR / AAAC / 5005	Steel				
							Sol. 3 Str. Nom. BWG BWG Dia.				
KSU17	0.92	0.42	12 Sol. - 6 Sol.	8 (6-1)	12 Sol. - 6 Sol.	8 (6-1)	8	—	5/32	165	5/8
KSU20	1.05	0.48	10 Sol. - 4 Sol.	6 (6-1)	10 Sol. - 4 Sol.	6 (6-1)	6	8	7/32	275	11/16
KSU22	1.25	0.57	10 Sol. - 2 Sol.	6 (6-1) - 4 (7-1)	10 Sol. - 2 Sol.	6 (6-1) - 4 (7-1)	4	6	1/4		3/4
KSU23	1.48	0.59	8 Str. - 2 Str.	3 (6-1) - 2 (6-1)	8 Sol. - 2 Str.	6 (6-1) - 2 (6-1)	—	4	5/16	385	13/16
KSU25	1.77	0.70	2 Str. - 1/0 Str.	3 (6-1) - 1 (6-1)	10 Str. - 1/0 Str.	6 (6-1) - 1 (6-1)	—		3/8		15/16
KSU26	1.93	0.79	2 Str. - 2/0 Str.	1 (6-1) - 1/0 (6-1)	8 Str. - 2/0 Str.	6 (6-1) - 1/0 (6-1)			7/16	385	1-1/16
KSU27	2.34	1.12	1 Str. - 3/0 Str.	1 (6-1) - 2/0 (6-1)	8 Sol. - 3/0 Str.	8 (6-1) - 2/0 (6-1)			—		1/2
KSU29	2.50	1.58	1 Str. - 250	2/0 (6-1) - 4/0 (6-1)	8 Str. - 250	6 (6-1) - 4/0 (6-1)	5/8	650			1-11/16
KSU31	2.88	1.36	1/0 Str. - 350	3/0 (6-1) - 4/0 (6-1)	4 Str. - 350	4 (6-1) - 4/0 (6-1)	—				825
KSU34	3.12	1.47	400 - 500	336 (30-7) - 477 (18-1)	2 Str. - 500	2 (6-1) - 477 (18-1)					

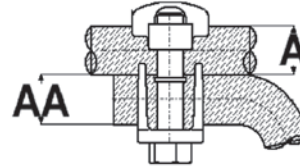
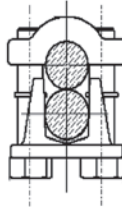
TYPE KVS

OKLIP™

ACCOMMODATES:
COPPER, COPPERWELD

MATERIAL: COPPER

Compact, two-piece, high strength; high copper alloy BURNDY OKLIP™ recommended for heavy duty connections. Neoprene rings hold bolts in place during installation. Installed with ordinary wrench.



H-6

Catalog Number	Conductor					Recommended Tightening Torque (in-lb)	Wrench Size (Cross flats)
	Copper		Copperweld				
	Run (A)	Tap (AA)	Max. Run & Tap				
		Sol.	Str.	Type V			
KVS26	1 Str. - 2/0 Str.	6 Str. - 2/0 Str.	3/0	7 #8	—	180	1/2
KVS28	1/0 Str. - 4/0 Str.	10 Str. - 4/0 Str.	4/0	7 #6	V3/0	250	9/16
KVS31	250 - 350 kcmil	10 Str. - 350 kcmil	—	19 #8	V250	325	3/4
KVS34	400 - 500 kcmil	10 Str. - 500 kcmil	—	19 #6	V350	375	3/4
KVS40	400 - 800 kcmil	3/0 Str. - 800 kcmil	—	19 #5	—	500	3/4
KVS44	500 - 1000 kcmil	3/0 Str. - 1000 kcmil	—	—	—	500	15/16

To ensure proper tightening torque use BURNDY® BTW Torque Wrenches.

TYPE KVSW

OKLIP™

ACCOMMODATES: COPPER,
COPPERWELD

MATERIAL: COPPER

Similar to OKLIP™ Type KVS except for high copper alloy spacer that separates run and tap conductor. Provides high contact pressure, confines conductor strands, and assures vibration proof connection. Longer peened bolt, permits swivel action for easier installation.



Catalog Number	Conductor		Wrench Size (Cross Flats)	Torque in - lb
	Run	Tap		
KVSW26	2 Str. - 2/0 Str.	6 Sol. - 2/0 Str.	1/2	180
KVSW28	1/0 Str. - 4/0 Str.	6 Sol. - 4/0 Str.	9/16	250
KVSW31	250 - 350 kcmil	4 Sol. - 350 kcmil	3/4	325
KVSW34	400 - 500 kcmil	4 Str. - 500 kcmil	3/4	375
KVSW40	400 - 800 kcmil	4/0 - 800 kcmil	3/4	500
KVSW44	500 - 1000 kcmil	250 - 1000 kcmil	15/16	500

To ensure proper tightening torque use BURNDY® BTW Torque Wrenches.

TYPE KVSU

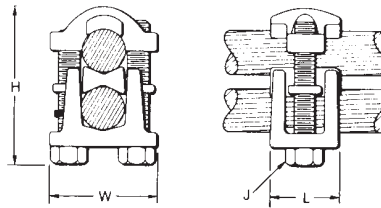
UNIVERSAL OKLIP™

ACCOMMODATES: COPPER,
COPPERWELD, AAC†, ACSR†, AAAC

MATERIAL: TIN PLATED COPPER

Compact, high strength, tin-plated copper alloy two-piece connector with spacer and tin-plated silicon bronze DURIMUM™ hardware. Recommended for heavy duty connections. Spacer separates dissimilar conductors and provides long contact length. Neoprene ring prevents loss of shorter bolt during installation. Longer peened bolt permits swivel action for easier installation.

Use of PENETROX™ joint compound recommended with aluminum and ACSR.



H-7

Catalog Number	Conductor								H	J	L	W	Rec. Tightening Torque (in-lb)	Wrench Size (Cross Flats)
	Run		Tap		Run		Tap							
	Copper & Alum.	ACSR, AAAC, & 5005	Copper & Alum.	ACSR, AAAC, & 5005	Copper Sol., Copperweld Sol.	Steel Nom. Dia.	Copper Sol., Copperweld Sol.	Steel Nom. Dia.						
KVSU26	2 Str. - 2/0 Str.	3 - 2/0	6 Str. - 2/0 Str.	6 - 2/0	1 - 3/0	5/16 - 7/16	#6 - 3/0	3/16 - 7/16	2	5/16	1	1-1/2	180	1/2
KVSU28	1/0 Str. - 4/0 Str.	1/0 - 4/0	6 Str. - 4/0 Str.	6 - 4/0	2/0 - 4/0	3/8 - 1/2	#6 - 4/0	5/32 - 1/2	2-3/8	3/8	1-1/8	1-3/4	250	9/16
KVSU31	250 - 350 kcmil	4/0 - 300	#5 - 350	6 - 300	—	9/16 - 5/8	#6 - 4/0	3/16 - 5/8	2-5/8	1/2	1-3/8	2-1/8	325	3/4
KVSU34	400 - 500 kcmil	336.4 - 397.5	#4 - 500	5 - 397.5	—	3/4 - 3/4	#4 - 4/0	7/32 - 3/4	3	1/2	1-1/2	2-1/4	375	3/4
KVSU40	400 - 800 kcmil	336.4 - 715.5	4/0 - 800	3/0 - 715.5	—	3/4 - 1	—	1/2 - 1	3-1/2	1/2	1-5/8	2-1/2	500	3/4
KVSU44	500 - 1000 kcmil	397.5 - 900	4/0 - 1000 kcmil	4/0 - 900	—	7/8 - 1-1/8	—	1/2 - 1-1/8	4	3/8	2	3	500	5/16

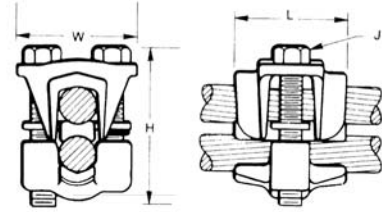
† Accommodates compressed conductors within diameter range.
To ensure proper tightening torque use BURNDY® BTW Torque Wrenches.

TYPE KVS-A

OKLIP™

ACCOMMODATES: COPPER, COPPERWELD, AAC†, ACSR†, AAAC

MATERIAL: ALUMINUM



Three-piece, high-conductivity, non-copper bearing aluminum alloy connector with thick spacer and aluminum hardware. Hardware in KVS26A and KVS28A is stainless steel. Recommended for heavy duty dissimilar metal applications. Spacer separates conductors and provides long contact length. Belted entrances prevent chafing and permit easier assembly of conductors. Longer, peened bolt, permits swivel action for

easier installation. Neoprene ring prevents loss of shorter bolt. PENETROX™ joint compound recommended with aluminum and ACSR.

H-8

Catalog Number	Conductor			
	Run		Tap	
	Copper & Aluminum†	ACSR†, AAAC, & 5005	Copper & Aluminum†	ACSR†, AAAC, & 5005
KVS26A	2 Str. - 2/0 Str.	#4 - 2/0	10 Str. - 2/0 Str.	#6 - 2/0
KVS28A	1/0 Str. - 4/0 Str.	1/0 - 4/0	10 Str. - 4/0 Str.	#6 - 4/0
KVS31A	250 - 350	4/0 - 336.4	6 Str. - 350 kcmil	#6 - 336.4 kcmil
KVS34A	400 - 500	336.4 - 397.5	4 Str. - 500 kcmil	#5 - 397.5 kcmil
KVS40A	400 - 800	336.4 - 715.5 kcmil	3/0 Str. - 800 kcmil	3/0 - 715.5
KVS44A	500 - 1000	397.5 - 900 kcmil	3/0 Str. - 1000 kcmil	3/0 - 900 kcmil

† Accommodates compressed conductors within diameter range.
To ensure proper tightening torque use BURNDY® BTW Torque Wrenches.

THESE CONNECTORS CAN ACCOMMODATE ACSR CONDUCTORS OVER ARMOR ROD WITHIN THE DIAMETER RANGE INDICATED.

Application Over Armor Rod

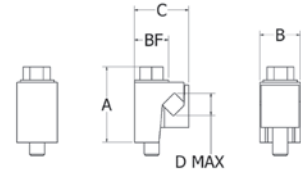
Catalog Number	Conductor Range by Diameter			H	J	L	W
	Min. Run Dia.	Min. Tap Dia.	Max Run & Tap Dia.				
KVS26A	0.28	0.11	0.44	2	5/16	1-3/8	1-5/8
KVS28A	0.36	0.11	0.56	2-3/8	3/8	1-5/8	2
KVS31A	0.56	0.18	0.68	3	1/2	2	2-5/8
KVS34A	0.72	0.21	0.81	3-3/8	1/2	2-1/2	2-5/8
KVS40A	0.72	0.47	1.03	4	1/2	3-1/8	3
KVS44A	0.80	0.47	1.16	4-1/2	5/8	3-1/2	3-3/8

TYPE VG

WISEIT™ Connectors

ACCOMMODATES: COPPER

MATERIAL: COPPER



Copper VISEIT™ connectors are easy to install and will not swivel. The interlocking will not rotate out of the body. Supplied with hex head bolts, VG1 has a slotted hex bolt.

Features & Benefits

- Single tool installation
 - ◇ Keeps other hand free to contain conductors.
- Compact profile after installation
 - ◇ Facilitates laping and alignment with conductors.
- Accomodates a wide range of conductors
 - ◇ Minimizes number of connectors required.
- Side installation of conductors
 - ◇ Eliminates having to seperate pieces during installation.
- Copper alloy body design
 - ◇ Provides combination of strength and corrosion resistance

H-9

Catalog Number	Conductor Range ①		A	B	C	Bolt Head (Hex.)	Recommended Torque (In-Lb)
	Max. 2 Conductor	Min. 2 Conductor					
VG1 ②	6 Sol.	10 Sol.	0.94"	0.63"	0.75"	3/8" (Slotted)	110 lbs/in
VG2	4 Str.	8 Str.	1.09"	0.70"	0.81"	9/16"	110 lbs/in
VG3	2 Sol.	6 Sol.	0.98"	0.83"	0.94"	9/16"	150 lbs/in
VG4	1/0 Str.	4 Sol.	1.70"	1.00"	1.33"	9/16"	180 lbs/in
VG5	2/0 Str.	3 Sol.	1.80"	0.98"	1.28"	9/16"	180 lbs/in

① Connectors are capable of accepting any combination of conductors of conductors within specified maximum range (example: VG1 can accept 7 Sol. - 9 Str. combination)

② The VG1 hardware has a slotted hex. The other sizes are unslotted. Hardware is stainless steel.

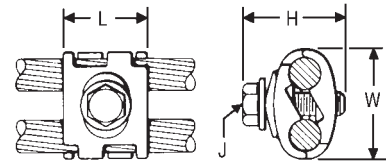
TYPE UC-L

UNIVERSAL PARALLEL GROOVE CLAMP

ACCOMMODATES:

COPPER, COPPERWELD,
AAC†, ACSR†, AAAC AND STEEL

MATERIAL: COPPER
(TIN PLATED)



Interlocking finger design accommodates large range of conductor sizes. Tin-plated, cast of high copper alloy and clamped with plated steel bolt, PENETROX™ joint compound recommended with aluminum and ACSR.

Catalog Number	Copper & Alum. (Either Groove)	ACSR†, 6201, 5005	Copperweld	Steel		Dimensions				Wrench (Cross flats)	Torque in - lb
				Nom. Dia.	AWG	L	H	J	W		
UC8W26-L	8 Sol. - 2/0 Str.	6 - 1/0	8 Sol. - 7 #7	5/32 - 7/16	8 Sol. - 4-3 Str.	1	1-1/2	5/16	1-7/16	1/2	180
UC2W28-L	2 Sol. - 4/0 Str.	3 - 4/0	3 #8 - 7 #6	9/32 - 9/16	4 - 3 Str. - 4 - 3 Str.	1-1/8	1-1/2	3/8	1-3/4	9/16	250

† Accommodates compact and compressed conductors within diameter range. To ensure proper tightening torque use BURNDY® BTW Torque Wrenches. Torque values are for max. conductor sizes.

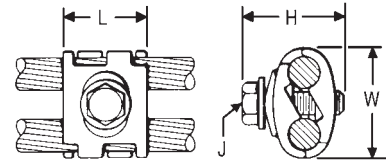
H-10

TYPE UC-K

UNIVERSAL PARALLEL GROOVE CLAMP

ACCOMMODATES: COPPER,
COPPERWELD, AAC, ACSR, AAAC
AND STEEL

MATERIAL: COPPER (TIN PLATED)



Interlocking finger design accommodates large range of conductor sizes. Tin-plated, cast of high copper alloy and clamped with silicon bronze DURIMUM™ bolt, PENETROX™ joint compound recommended with ACSR. Applications include grounding for the Cable TV industry.



Catalog Number	For Use With:	Conductor Range				Dimensions				Wrench Size (Cross flats)	Torque in - lb
		Groove A		Groove B		L	H	J	W		
		Maximum Size	Minimum Size	Maximum Size	Minimum Size						
UCK-1UL †	Aluminum or Galvanized Steel Strand to Copper or Copper Bonded Steel Wire	1/0 ACSR 7/16 Galvanized Steel Strand	#6 ACSR	2/0 Str. Copper 7/16 Copperweld, 2A Copperweld	#8 Sol. Copper 9-1/2D Copperweld	1	1-7/16	5/16	1-7/16	1/2	180
UCK-2UL	Aluminum or Galvanized Steel Strand to Aluminum or Galvanized Steel Strand	1/0 ACSR 7/16 Galvanized Steel Strand	#6 ACSR	1/0 ACSR or 7/16 Galvanized Steel Strand	#6 ACSR					1/2	180
UCK-3UL	Copper to Copper	2/0 Str. Copper 7/16 Copperweld 2A Copperweld	#8 Sol. Copper 9-1/2D Copperweld	2/0 Str. Copper 7/16 Copperweld 2A Copperweld	#8 Sol. Copper 9-1/2D Copperweld					1/2	180

† Accommodates compact and compressed conductors within diameter range. To ensure proper tightening torque use BURNDY® BTW Torque Wrenches. Torque values are for max. conductor sizes.

TYPE CP-A

PARALLEL GROOVE CLAMP

ACCOMMODATES:

COPPER, COPPERWELD,
AAC†, ACSR, AAAC AND STEEL

MATERIAL: ALUMINUM (cast),
Aluminum Hardware

Type CP-A is recommended for tap or parallel connections. High strength, high conductivity aluminum body and hardware provide corrosion resistant assembly. Long contact surface insures excellent contact and full conductivity. PENETROX™ joint compound recommended for all combinations.

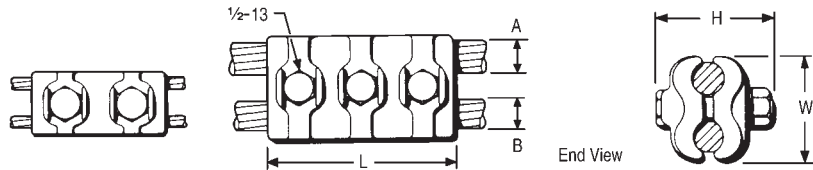


Fig. 1

Fig. 2

End View

Catalog Number	Groove A		Groove B		Fig. No.	Dimensions			Wrench Size (cross flats)	Torque in - lb
	ACSR, 6201, 5005	Copper & Aluminum	ACSR, 6201, 5005	Copper & Aluminum		L	H	W		
CP26A26A	1/0	3/0 Sol. - 2/0 Str.	1/0	3/0 Sol. - 2/0 Str.	1	4"	2-7/8"	2.13	3/4	480
CP27A27A	2/0 101.8 (12-7) 110.8 (12-7)	4/0 Sol. - 3/0 Str.	2/0 101.8 (12-7) 110.8 (12-7)	4/0 Sol. - 3/0 Str.						480
CP28A28A	3/0 134.6 (12-7)	4/0 Str.	3/0 134.6 (12-7)	4/0 Str.						480
CP29A29A	4/0 159 (12-7) 203 (8-7)	250 266.8	4/0 159 (12-7) 203 (8-7)	250 266.8						480
CP30A30A	176.9 (12-7) 190.8 (12-7) 266.8 (18-1, 6-7, 26-7)	300	176.9 (12-7) 190.8 (12-7) 266.8 (18-1, 6-7, 26-7)	300	2	4-1/2"	2.38	3/4	480	
CP31A31A	211.3 (12-7) 300 (26-7, 30-7) 336.4 (18-1)	336.4 350	211.3 (12-7) 300 (26-7, 30-7) 336.4 (18-1)	336.4 350					480	
CP32A32A	203.2 (16-19) 336.4 (26-7, 30-7) 397.5 (18-1)	397.5 400	203.2 (16-19) 336.4 (26-7, 30-7) 397.5 (18-1)	397.5 400					480	
CP34A34A	397.5 (26-7, 30-7) 477 (18-1)	450 477 500	397.5 (26-7, 30-7) 477 (18-1)	450 477 500	2	5"	3"	2.50	480	
CP37A37A	500 (30-7) 556.5 (24-7, 26-7, 30-7) 636 (36-1) 605 (24-7)	636	500 (30-7) 556.5 (24-7, 26-7, 30-7) 636 (36-1) 605 (24-7)	636					5-1/4"	3-3/8"

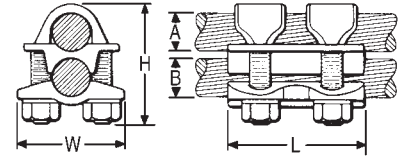
† Accommodates compact and compressed conductors within diameter range.
For other sizes contact factory.
Not recommended for copper applications. Use copper connector.
To ensure proper tightening torque use BURNDY® BTW Torque Wrenches.

TYPE VP

PARALLEL GROOVE CLAMP

ACCOMMODATES: COPPER

MATERIAL: COPPER



Multiple V-bolt connector especially suited for flexible or extra flexible conductors. Made of high strength, high conductivity copper. Clamping elements accommodate a range of conductor sizes in either groove. V-bolts provide high pressure and

compress the conductor over long contact area. Also recommended for jumper connections.



Catalog Number	Groove A	Groove B	Dimensions			Wrench Size (Cross flats)	Torque in - lb
			L	H	W		
VP2828	1/0 Str. - 4/0 Str.	1/0 Str. - 4/0 Str.	2-3/4"	2-1/8"	1.75"	9/16	250
VP3030	1/0 Str. - 300	1/0 Str. - 300	3-1/8"	2-1/2"	2.00"	11/16	325
VP3430	300 - 500		3-1/4"	3-1/8"	2.50"	3/4	375
VP3434							
VP4030	500 - 800	1/0 Str. - 300	3-1/2"	4-3/8"	2.88"	7/8	500
VP4040		500 - 800	3-3/4"				
VP4440	750 - 1000	500 - 800	3-7/8"	5"	3.19"		
VP4646	1000 - 1500	1000 - 1500	4-1/2"	5-3/8"	3.50"	15/16	600

To ensure proper tightening torque use BURNDY® BTW Torque Wrenches.

H-12

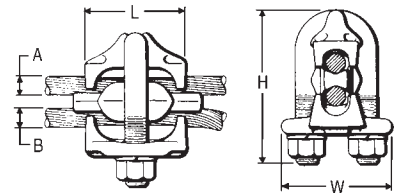
TYPE UW-R

CLIPIT™

DEAD END CLAMP

ACCOMMODATES:
AAC†, ACSR†, AND AAAC

MATERIAL: ALUMINUM (Cast)



High strength aluminum casting with galvanized steel U-bolt, extra long aluminum spacer, and caps that confine strands. Holding strength of installations using two CLIPIT™ deadends

exceeds rated breaking strength of conductor. Use of PENETROX™ joint compound is recommended.
RUS Accepted

Catalog Number	Run A		Tap B		Dimensions			Wrench	Torque in - lb
	ACSR, 6201, 5005	Aluminum	ACSR, 6201, 5005	Aluminum	L	H	W		
UW2R	6 - 2	6 Str. - 2 Str.	6 - 2	6 Str. - 2 Str.	1-1/2"	2-5/8"	1.82"	9/16	240
UW25R	6 - 1/0	6 Str. - 2/0 Str.	6 - 1/0	6 Str. - 2/0 Str.	1-7/8"	2-7/8"	1.98"		240

† Accommodates compact and compressed conductors within diameter range.
To ensure proper tightening torque use BURNDY® BTW Torque Wrenches.

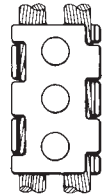
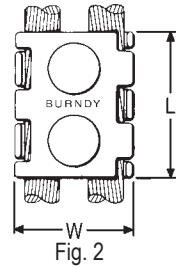
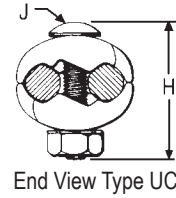
TYPE UC

PARALLEL GROOVE CLAMP

ACCOMMODATES: COPPER

MATERIAL: COPPER

Type UC connector accommodates large range of conductors in either groove, reducing inventory to a minimum. Interlocking finger design provides firm grip with maximum contact length. High strength, corrosion resistant silicone bronze hardware. One wrench installation.



Catalog Number	Conductor (Either Groove)	Figure Number	Dimensions				Wrench Size (Cross flats)	Torque in - lb
			L	H	J	W		
UC6W25	6 Sol. - 1/0 Str.	1	1-3/4"	1-5/8"	3/8"	1-3/8"	9/16	240
UC4W28	4 Sol. - 4/0 Str.	2	2-1/8"	2"		1-3/4"		240
UC2W30	2 Sol. - 300		2-3/8"	2-1/8"		2"		240
UC2834	4/0 Str. - 500	3	4-1/4"	2-7/8"	1/2"	2-1/2"	3/4	480
UC3040	300 - 800			3-3/8"		3"		480
UC3444	500 - 1000			3-5/8"		3-1/2"		480

To ensure proper tightening torque use BURNDY® BTW Torque Wrenches

H-13

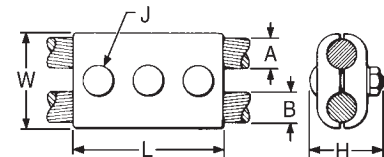
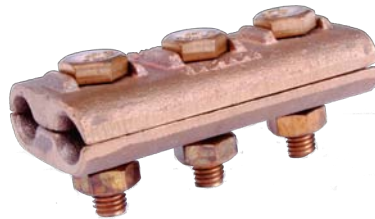
TYPE CP

PARALLEL GROOVE CLAMP

ACCOMMODATES: COPPER

MATERIAL: COPPER

High strength, high copper alloy Type CP is recommended for heavy duty parallel connections. Silicon bronze DURIMUM™ hardware and cast copper body provides corrosion resistant assembly. Long contact surface provides excellent contact and assures full conductivity.



Catalog Number	Groove		Figure Number	Dimensions			Wrench Size (Cross flats)	Torque in - lb
	A	B		L	J	W		
CP2C2C	2 Str.	2 Str.	1	2-1/2"	3/8"	1-1/4"	9/16	240
CP2525	1/0 Str.	1/0 Str.		3"		1-5/8"		240
CP2626	2/0 Str.	2/0 Str.		3"		2"		240
CP2828	4/0 Str.	4/0 Str.	2	4"	1/2"	2"	3/4	240
CP2929	250	250		5"		2-1/2"		240
CP3434	500	500		5"		2-1/2"		480

For other sizes contact factory.

To ensure proper tightening torque use BURNDY® BTW Torque Wrenches

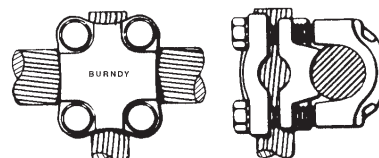
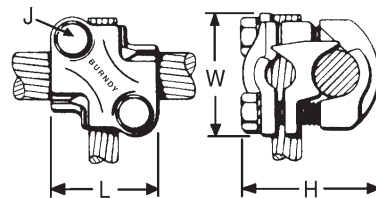
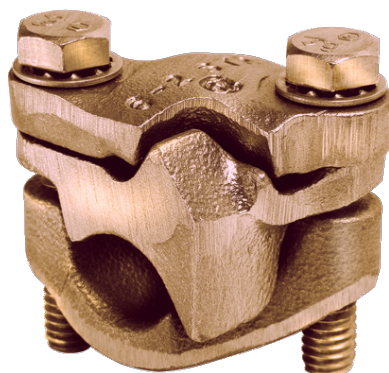
TYPE QPX

VERSITAP™

ACCOMMODATES:
COPPER, COPPERWELD

MATERIAL: COPPER

The VERSITAP™ Type QPX is recommended for Tee, Cross, Parallel, Butt and Tap connections. Range-taking, only 10 connectors required to accommodate conductor sizes from #6 Str. to 1000 kcmil. Edges are rounded for easy taping. Made of high strength, high-conductivity copper alloy and silicon bronze DURIMUM™ hardware.



H-14



PARALLEL

TAP

TEE

CROSS

BUTT

Catalog Number	Run			Tap			Dimensions				Wrench Size (Cross Flats)	Torque in-lb
	Copper Str - RUN	Copperweld Solid - RUN	Copperweld Str - RUN	Copper Str - TAP	Copperweld Solid - TAP	Copperweld Str - TAP	L	H	J	W		
QPX2C2C	6 Str. - 2 Str.	5 Sol. - 3 #7	8A - 4A	6 Str. - 2 Str.	5 Sol. - 3 #7	8A - 4A	1-3/8	1.50	5/16	1-3/8	1/2	150
QPX282C	1 Str. - 4/0 Str.	7 #9 - 7 #5	3A - 3/0V	6 Str. - 2 Str.	5 Sol. - 3 #7	8A - 4A		2.06				1-9/16
QPX2828				1 Str. - 4/0 Str.	7 #9 - 7 #5	3A - 3/0V	1-7/8	2.38	3/8	1-13/16	9/16	250
QPX342C	250 - 500 kcmil	19 #19 - 19 #6	4/0 EK	6 Str. - 2 Str.	5 Sol. - 3 #7	8A - 4A	1-3/8	2.50	5/16	1-7/8	1/2	250
QPX3428				1 Str. - 4/0 Str.	7 #9 - 7 #5	3A - 3/0 V	1-3/4	2.75	3/8	2-1/16	9/16	250
QPX3434				250 - 500 kcmil	19 #19 - 19 #6	4/0 EK	2	3.00		2-3/16		250
QPX442C	500 - 1000 kcmil	19 #6	—	6 Str. - 2 Str.	5 Sol. - 3 #7	8A - 4A	1-3/8	2.63	5/16	2-1/4	1/2	250
QPX4428			—	1 Str. - 4/0 Str.	7 #9 - 7 #5	3A - 3/0V	1-7/8	2.88	3/8	2-7/16	9/16	250
QPX4434			—	250 - 500 kcmil	19 #19 - 19 #6	4/0 EK	2	3.06				2-9/16
QPX4444			—	500 - 1000 kcmil	19 #6	—	2-5/8	3.44	2-9/16	250		

To ensure proper tightening torque use BURNDY® BTW Torque Wrenches

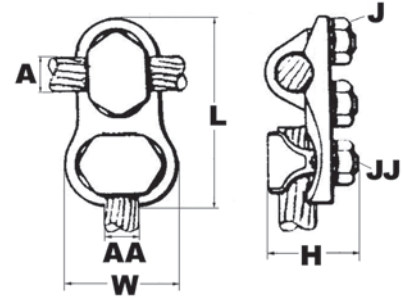
TYPE VT

T-CONNECTOR

ACCOMMODATES: COPPER

MATERIAL: COPPER

High copper alloy T-connector for cable run, cable tap. V-bolt clamping elements accommodate large range of cable and are particularly suited for extra flexible cable. One-wrench installation.



Catalog Number	Conductor		H	L	W	Torque Ratings			
	Run (A)	Tap (AA)				Wrench 1	Wrench 2	Torque 1	Torque 2
VT2C2C	8 AWG - 2 AWG	8 AWG - 2 AWG	1-3/8"	2-3/8"	1"	7/8	7/8	275	275
VT2525	6 AWG - 1/0	6 AWG - 1/0	1-5/8"	2-5/8"	1-1/4"	1	1	385	385
VT2825	1/0 - 4/0 AWG			3-1/8"	1-1/4"	9/16	1	250	385
VT2828		1/0 - 4/0 AWG	3-3/8"	1-3/4"	9/16	9/16	250	250	
VT3025	1/0 - 300 kcmil	6 AWG - 1/0	1-7/8"	3-3/8"	1-1/8"	11/16	1	325	385
VT3030		1/0 - 300 kcmil		3-1/2"	2"	11/16	11/16	325	325
VT3425	300 kcmil - 500 kcmil	6 AWG - 1/0	2-3/8"	3-5/8"	1-1/4"	3/4	1	375	385
VT3428		1/0 - 4/0 AWG		3-1/2"	1-3/4"	9/16	3/4	250	250
VT3430		1/0 - 300 kcmil		3-5/8"	2"	3/4	1	480	385
VT3434		300 kcmil - 500 kcmil		3-3/4"	2-1/4"	3/4	3/4	480	480
VT4040	500 kcmil - 800 kcmil	500 kcmil - 800 kcmil	2-5/8"	4-3/8"	2-5/8"	7/8	7/8	600	600
VT4425	750 kcmil - 1000 kcmil	6 AWG - 1/0	2-7/8"	4-3/4"	1-1/4"	15/16	1	660	385
VT4428		1/0 - 4/0 AWG		4-1/8"	1-3/4"	15/16	9/16	660	240
VT4834	1500 kcmil - 2000 kcmil	300 kcmil - 500 kcmil	4-1/4"	5-1/4"	2-1/4"	1-1/8	3/4	1050	480

To ensure proper tightening torque use BURNDY® BTW Torque Wrenches

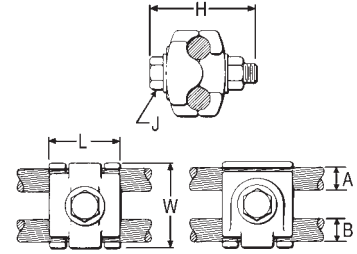
H-15

TYPES UCG-R & UCG-RS

TAPIT™ PARALLEL CLAMP

ACCOMMODATES: COPPER, AAC†, ACSR†, AAAC

MATERIAL: ALUMINUM



Multiple purpose parallel groove clamp made of high strength, high conductivity, non-copper bearing aluminum alloy. Properly proportioned to minimize stress corrosion and deterioration by galvanic action.

RUS Accepted

Interlocking fingers on connector body halves prevent mismatching. Square shank, hex head, round collar, high strength galvanized steel bolt allows one or two-wrench installation.

Also supplied pre-filled with PENETROX™ joint compound and Stripsealed to limit oxide growth and to increase the life of the connection.

Catalog Number		Groove A		Groove B		Dimensions				Wrench Size	Torque In-lb
With Stripseal	Without Stripseal	Copper & Aluminum†	ACSR†, 6201, & 5005	Copper & Aluminum†	ACSR†, 6201, & 5005	L	H	J	W		
UCG25R2RS**	UCG25R2R**	6 Sol. - 1/0 Str.	8 Str. - 1/0 Str.	6 Sol. - 2 Str.	8 - 2	1-1/8"	1-7/8"	5/16"	1-3/8"	1/2	180
UCG25RS	UCG25R	8 Str. - 1/0 Str.	6 - 1/0	8 Str. - 1/0 Str. *	6 - 1/0	1-3/8"	2-1/8"	3/8"	1-5/8"	9/16	240
UCG28RS	UCG28R	1/0 Str. - 4/0 Str.	1/0 - 4/0	1/0 Str. - 4/0 Str.	6 - 4/0	1-3/8"	2-1/5"	3/8"	1"	3/4	480
UCG32RS	UCG32R	1/0 Str. - 397.5	1/0 - 336.4	8 Str. - 2/0 Str.	6 - 1/0	1-1/2"	2-5/8"	3/8"	2-1/8"	9/16	240

* Maximum recommended combinations: 1/0 Aluminum or ACSR Run - #2 Str. Copper Tap; 1/0 Copper Run - 1/0 Aluminum or ACSR Tap.
† Accommodates compact and compressed conductors within diameter range.

** Supplied with galvanized steel, square shank bolt.
Not recommended for copper to copper applications. Use a copper connector to increase connection life.

For proper installations use BURNDY® BTW Torque Wrenches.

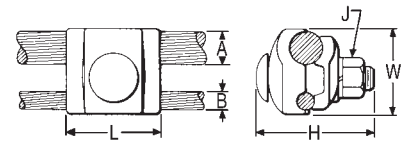
H-16

TYPES UC-R & UC-RS

TAPIT™ PARALLEL CLAMP

ACCOMMODATES: COPPER, AAC†, ACSR†, AAAC

MATERIAL: ALUMINUM



High strength, high conductivity, non-copper bearing aluminum alloy, properly proportioned to minimize stress corrosion and deterioration by galvanic action.

RUS Accepted

Keying tabs on connector body halves prevent mismatching. Square shank, high strength galvanized steel bolt allows one wrench installation.

Also supplied pre-filled with PENETROX™ joint compound and Stripsealed.

Catalog Number		Groove A		Groove B		Dimensions				Wrench	Torque
With Stripseal	Without Stripseal	Copper & Aluminum†	ACSR†, 6201, & 5005	Copper & Aluminum†	ACSR†, 6201, & 5005	L	H	J	W		
UC25R2RS	UC25R2R	8 Sol. - 1/0 Str.	6 - 1/0	8 Sol. - 2 Str.	6 - 2	1-1/8"	1-5/8"	5/16"	1-3/8"	1/2	180
UC28RS	UC28R	1/0 Str. - 4/0 Str.	1/0 - 4/0	8 Sol. - 1/0 Str.	6 - 1/0	1-3/8"	2-3/8"	3/8"	1-7/8"	9/16	240
UC32RS	UC32R	1/0 Str. - 397.5	336.4	6 Sol. - 2/0 Str.	6 - 1/0	1-1/2"	2-3/8"	3/8"	2-1/4"	9/16	240
—	UC33R	4/0 Str. - 400	336.4	6 Sol. - 2/0 Str.	6 - 2/0	1-3/4"	2-3/4"	1/2"	2-1/4"	3/4	480

* Maximum recommended combinations: 4/0 Aluminum or ACSR Run - #2 Str. Copper Tap.
† Accommodates compact and compressed conductors within diameter range.

Not recommended for copper to copper applications. Use a copper connector to increase connection life.

For proper installations use BURNDY® BTW Torque Wrenches.

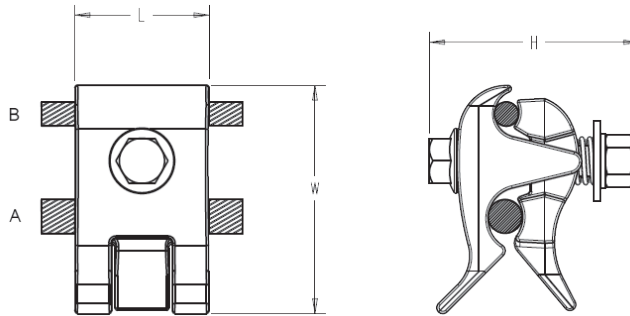
**TYPE UCT
FASTAP™ with
Lineman Assist™**

ACCOMMODATES: AAC, AAAC, ACSR, ACAR, Messenger Guy and Copper Conductors

MATERIAL: Aluminum
Galvanized steel hardware



The BURNDY FASTAP™ with Lineman Assist™ utilizes a spring system that acts as a third hand to assist in installation. This system helps secure the tap conductor while installing on Primary, Secondary, and service applications. Duck bill handle simplifies installation by providing a handle to easily hold the connector while wearing dielectric gloves. Conductor side entry facilitates installation and helps keep inhibitor in the connector. Strip sealed and prefilled with PENETROX™ joint compound to limit oxide growth and increase the life of the connection.



H-17

Catalog Number	Conductor Range				Conductor Diameter				Torque (in-lb)	Wrench Size	Dimensions		
	Groove A (Run)		Groove B (Tap)		Groove A (Run)		Groove B (Tap)				L	H	W
	Copper & Aluminium	ACSR, 6201 & 5005	Copper & Aluminium	ACSR, 6201 & 5005	Min	Max	Min	Max					
UCT26RS	8 Sol - 2/0 Str	6 Str - 2/0 Str	8 Sol - 2/0 Str	6 Str - 2/0 Str	0.13	0.45	0.13	0.45	240	9/16	1.62	2.62	2.50
UCT32RS	1 Sol - 400	2 Str - 336.4	8 Sol - 4/0 Str	6 Str - 4/0 Str	0.29	0.73	0.13	0.56	240	9/16	1.62	2.62	2.82

Remove "S" for no PENETROX™
 Add "SS" for stainless steel hardware
 Add "C" to include a cover
 Add "HN" for shear nut
 Cover may be ordered separately (UCTCOVER)

— Not recommended for Copper to Copper applications; use copper connector

To ensure proper tightening torque, use BURNDY® BTW Torque Wrenches.

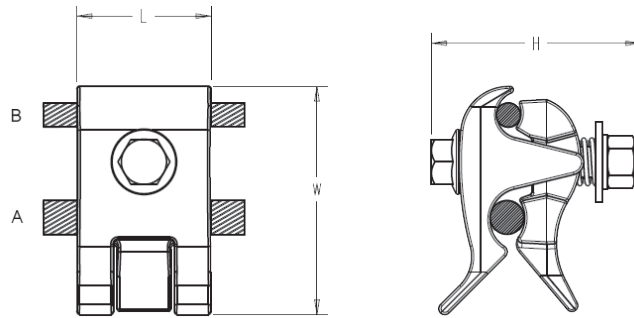
TYPE UCT

Copper FASTAP™ with Lineman Assist™

ACCOMMODATES: Copper Conductors

MATERIAL: Copper
Silicon Bronze and Stainless Hardware

The BURNDY FASTAP™ with Lineman Assist™ utilizes a spring system that acts as a third hand to assist in installation. This system helps secure the tap conductor while installing on Primary, Secondary, and service applications. Duck bill handle simplifies installation by providing a handle to easily hold the connector while wearing dielectric gloves. Conductor side entry facilitates installation and helps keep inhibitor in the connector.



H-18

Catalog Number	Conductor Range		Conductor Diameter				Torque (in-lb)	Wrench Size	Dimensions		
	Groove A (Run)	Groove B (Tap)	Groove A (Run)		Groove B (Tap)				L	H	W
	Copper	Copper	Min	Max	Min	Max					
UCT26	8 Sol - 2/0 Str	8 Sol - 2/0 Str	0.13	0.45	0.13	0.45	240	9/16	1.62	2.62	2.50
UCT32	1 Sol - 400	8 Sol - 4/0 Str	0.29	0.73	0.13	0.56	240	9/16	1.62	2.62	2.82

Add "C" suffix to include cover, or cover may be ordered separately (UCTCOVER)

To ensure proper tightening torque, use BURNDY® BTW Torque Wrenches.

TYPE UC KIT

UC connector accommodates a large range of copper conductors in either groove. Kits include connector and cover.



Catalog Number	Conductor (Either Groove)	Dimensions				Wrench	Torque
		L	H	J	W		
UC6W25CONKIT	6 Sol. - 1/0 Str.	1-3/4"	1-5/8"	[3/8]"	1-3/8"	9/16	240
UC4W28CONKIT	4 Sol. - 4/0 Str.	2-1/8"	2"		1-3/4"		

Note: For connectors with break-away bolt contact factory.

UCCOVER1BOX25

TAPIT™ COVER

For Selected UC and UCG Tap Connectors

High density Polyethylene cover accommodates several sizes of UC and UCG connectors. One piece design. Simply slip over the connector and snap shut. Supplied in black.



UCCOVER1 for use with:

- | | |
|-----------|----------|
| UCG25R2RS | UCG25R2R |
| UCG25RS | UCG25R |
| UCG28RS | UCG28R |
| UC25R2RS | UC25R2R |
| UC28RS | UC28R |
| UC6W25 | UC4W25 |

H-19

UCTCOVER

FASTAP™ COVER

For Selected UCT and UCG Tap Connectors

High density Polyethylene cover accommodates all FASTAP™ connectors and select UCG connectors. One piece design. Simply slip over the connection and snap shut. Supplied in black.



UCTCOVER for use with all styles of:

- UCT26
- UCT32
- UCT26RS
- UCT32RS
- UCG32RS
- UCG26RS



TYPE LSC

CATCHER

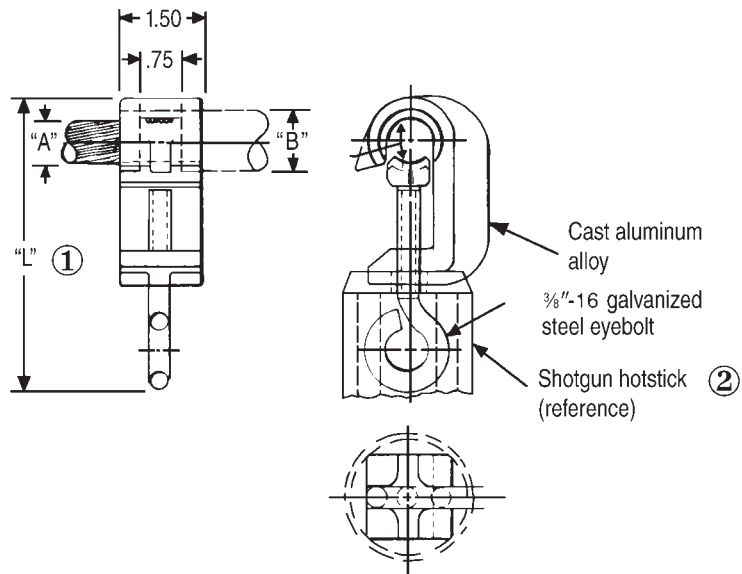
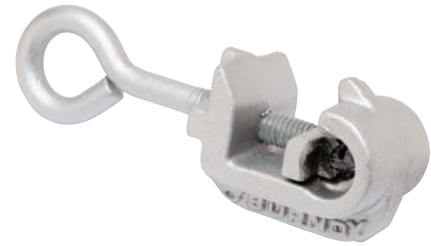
ACCOMMODATES:
AAC AND ACSR PRIMARY
COVERED CONDUCTOR
(TREE WIRE)

MATERIAL: ALUMINUM (cast)

Cast aluminum lightning shield clamp with a galvanized steel eye bolt for use on covered aluminum and ACSR primary overhead distribution conductors ("Tree Wire").

They are designed to protect the "Tree Wire" from burn-down causing service interruption during high lightning activity. For further application details contact the factory.

Conductor groove is pre-filled with PENETROX™ A13, which is compatible with cable insulation and individually bagged.



H-20

Catalog Number	Cable	Accommodates Cable Dia. "A"	Insul. Dia. "B" (Max.)	"L"
LSC1/0	1/0 Str. ACC - 1/0 ACSR	0.368 - 0.398	0.65"	4.50"
LSC1/0-1	1/0 Str. AAC - 1/0 ACSR	0.368 - 0.398	0.83"	4.50"
LSC556	4/0 Str. - 556.5 AAC	0.528 - 0.858	1.16"	5.90"
LSC556-1	4/0 Str. - 556.5 AAC	0.528 - 0.858	1.34"	5.90"

- ① Approx. assembly length over eyebolt with cable clamped. Also approx. eyebolt position when shipped.
- ② Assembly can be installed using a shotgun hotstick as shown. Assembly instructions are supplied with each connector.

COMPRESSION TAP CONNECTORS

The BURNDY line of compression connectors are wide range-taking; accommodate copper, aluminum and ACSR; are easy to install; and are dependable and economical. They are designed to be installed with BURNDY® “matche” hand, hydraulic, and power-driven hydraulic tooling. The connector line consists of C-shaped, Figure 3, Figure 6-shaped, and HYCRIMP™ tap connectors, disconnectable T-taps, terminals and stirrups.

The copper CRIMPIT™ is a range-taking, reversible, C-shaped compression tap connector for combinations of copper conductors. Twelve connectors take tap combinations from #10 AWG through 4/0, and all sizes are installed with dies that also install aluminum connectors. Sizes accommodating conductors up to #2 may be installed with the MD6 and OUR840 family of tools. All sizes may be installed with the Y35 or Y750 family of tools. They make “hot” installation easy by permitting the lineman to grip the CRIMPIT™ in the compression tool and then place it on the line. The tap is then inserted and the CRIMPIT™ is compressed. Massive C-shape forces tap and line conductors together to form dependable, low-cost, low-resistance connections.

The CABLELOK™ CRIMPIT™ is a range-taking universal and reversible, Figure 3-shaped aluminum compression tap connector with an adjustable spacer which separate the conductors. It accommodates combinations of copper, aluminum, and ACSR conductors from #6 up to 4/0, and is installed with the common O and D3 dies. The broad range capacity of each CABLELOK™ CRIMPIT 2 reduces the number of connectors required and simplifies connector selection.

The spacer holds the run or tap in place permitting the lineman either to approach the line with the connector held in the tool and with the tap in the connector, or to assemble the connector and tap on the line and then bring up the tool to crimp.

Each CABLELOK™ CRIMPIT™ is pre-filled with PENETROX™ joint compound and individually bagged. These packages are clearly marked with the entire conductor range of the connector as well as pertinent tooling information. The open side of the CABLELOK™ CRIMPIT™ makes “hot” installations easy by allowing the connector to be carried to the energized line in the crimping tool (MD6, Y35, or Y750 families hot-line types).

The Figure 6-shaped aluminum compression tap connector is one of the widest range-taking compression tap connectors available. It accommodates copper, aluminum, or ACSR conductors in very broad ranges. Only four connectors are required to accommodate a range from #6 to 600 kcmil. This broad range is made possible by the long ram stroke of the Y35 and Y750 family of tools.

HYCRIMP™ compression tap connectors accommodate ACSR, stranded copper or aluminum, solid copper or aluminum, and compact conductors. Seventeen sizes are available to accommodate all conductors from #6 solid to 954 kcmil compact. All HYCRIMP™ connectors can be installed with industry standard O, D, N and R dies. Each connector is factory-filled with BURNDY® PENETROX™ joint compound, and individually boxed for ease of handling, identification, and installation.

The BURNDY® line of disconnectable T-taps and jumper loop slices offer an economical approach to sectionalizing or isolating equipment on energized lines. They combine the best features of compression and mechanical connectors. The pads can be easily assembled or separated from each other with hot-line tools.

The STIRRUP™ combines a compression C-shaped Figure 6-shaped or H-shaped element for the run conductor, and a factory installed bail which accommodates a hot-line clamp. The line element can be gripped in the tool and carried to the line and then crimped.

Note: Aluminum bodied compression tap connectors are not recommended for making copper to copper connections. Two connectors are recommended when feeding a line in both directions.

Overhead Distribution

Compression Tap Large Range Taking

BURNDY®

TYPE YC-C

COPPER CRIMPIT™



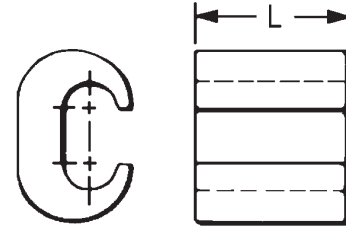
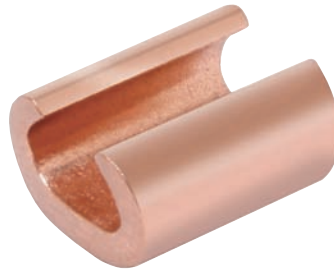
UL Listed 90° C, Up to 35 kV ◆

ACCOMMODATES: COPPER,
COPPERWELD



MATERIAL: COPPER

Range-taking compression tap connector made of pure copper. Designed to be gripped in the jaws or dies of installation tool, then slipped directly over line for easy installation. Also used for deadending.



- Copperweld-Copper Conductors**
- 8A - Use CRIMPIT™ accommodating 6 Str. Copper
 - 6A - Use CRIMPIT™ accommodating 4 Str. Copper
 - 4A - Use CRIMPIT™ accommodating 2 Str. Copper
 - 2A - Use CRIMPIT™ accommodating 1/0 & 2/0 Copper

RUS Accepted

** Multiple crimp die set. Makes more than one crimp per tool compression. Figure () indicates number of compressions.

† Not UL Listed.

‡ Number of crimps.

* U Die with adapter PUADP-1.

§ Not UL Listed or CSA Certified with this conductor size in run.

H-22

Catalog Number	Run	Tap	L	▲ Die Index	Tools, Die Set, Catalog Number and (‡No. of Crimps) ▲			CRIMPIT™ for 1 Str. Copper	
					MD6	OUR840	Y35, Y750, Y45, Y46*	Run	Tap
YC10C10 †	12 Sol.-10 Str.	12 Sol.-10 Str.	.32	238	W238 (1)	W238 (1)	U238 (1)	—	—
YC8C8	8 Sol.-8 Str.	10 Sol.- 8 Str.	.50	162	W162 (2)	W162 (2)	U162** (1)	—	—
YC4C8	6 Sol.-4 Str.	8 Sol.- 8 Str.	.62	BG or 5/8	BG (2) W-BG** (1)	XBG (2) XNBG (2)	U-BG (1)	—	—
YC4C6		6 Sol.- 6 Str.	.57						
YC4C4		6 Sol.- 4 Str.							
YC2C4	4 Sol.-2 Str.	8 Sol.- 4 Str.	.67	C	W-C (2)	—	U-C (1)	1 Str. §	6, 8 Str., 8 Sol.
YC2C2	2 Sol.-2 Str.	2 Sol.- 2 Str.	.92	E or O	—	—	U-E (3) U-O (1)	—	—
YC26C2	1/0 Str.-2/0 Str.	8 Sol.- 2 Str.						1 Str. §	1 or 2 Str.
YC26C26		1/0 Str.- 2/0 Str.						—	—
YC28C2	3/0 Str.-4/0 Str.	6 Sol.- 2 Str.	1.07	F or D3	—	—	U-F (3) U-D3** (1)	—	—
YC28C26		1/0 Str.- 2/0 Str.							
YC28C28		3/0.- 4/0 Str.							

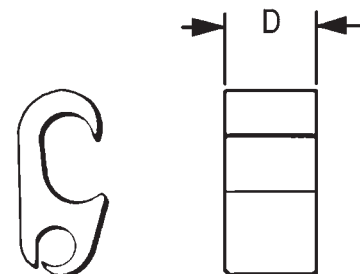
TYPE YP-C

COPPER CRIMPIT™

ACCOMMODATES: COPPER

MATERIAL: COPPER

Figure "6"-shaped, wide range-taking copper, compression tap connector for primary service taps and secondary service drops. Connector can be gripped in tool and slipped over the line for easy installation.



Catalog Number	D	Run	Tap	Die Index	Tools, Die Set Catalog Number, & (# of Crimps) Y35, Y750, Y45 †, Y46 ‡
YP2C2	0.75	6 Sol. - 2 Str.	6 Sol. - 2 Str.	O	U-O (1)
YP28C28	1.00	2/0 Sol. - 4/0 Str.	2/0 Sol. - 4/0 Str.	D	U-D3 (1)
YP29C26	0.75	1/0 Sol. - 250	4 Sol. - 2/0 Str.		

† U Die with adapter PT-6515.

‡ U Die with adapter PUADP-1.

For faster installations use BURNDY® PATRIOT® family of battery tools.

US: 1-800-346-4175

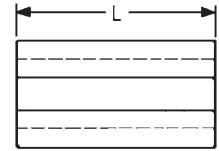
www.burndy.com

Canada: 1-800-387-6487

TYPE YC-A

ALUMINUM CRIMPIT™

ACCOMMODATES: AAC (STR, COMPRESSED, COMPACT), ACSR AND AAAC



MATERIAL: ALUMINUM

Range-taking, C-shaped aluminum compression tap, or dead-ending connector designed to eliminate effects of cold flow. Can be gripped in tool and slipped over line for easy crimping. Pre-filled with PENETROX™ joint compound and Stripsealed to limit oxide growth and to increase the life of the connection.

Catalog Number	Run		Tap		L	Die Index	Tools, Die Set Catalog Number, & (# of Crimps)	
	Aluminum	ACSR, 6201, 5005	Aluminum	ACSR, 6201, 5005			MD7, MD6	Y35, Y750, Y45 †, Y46 ‡
YC4A6	6 Sol. - 4 Str.	6	6 Sol. & Str.	—	1-1/4"	5/8 or BG	BG (4) W-BG (2)*	U-BG (2)*
YC4A4			4 Sol. & Str.	6				
YC2A4	2 Sol. & Str.	4 - 2	4 Sol. & Str.	6	1-1/2"	C	W-C (4)	U-C (2)*
YC2A2			2 Sol. & Str.	4 - 2				
YC25A4	1/0 Str.	1/0	6 Str. - 4 Str.	6 - 4	1-1/2"	C	W-C (4)	U-C (2)*
YC25A2			2 Sol. & Str.	2	2-1/4"	C	W-C (6)	U-C (3)*
YC25A25	1/0 Str. - 2/0 Str.		1/0 Str. - 2/0 Str.	1/0	1-3/4"	Q	W-Q (6)*	—
YC26A25	1/0 Str. - 2/0 Str.	1/0 - 2/0	1/0 Str.	1/0	2-1/2"	D**	—	U-D (3)
YC26A26			2/0 Str.	2/0				
YC28A2	3/0 Str. - 4/0 Str.	3/0 - 4/0	6 Sol. - 2 Str.	6 - 2	2-3/4"	H	—	U-H (3)
YC28A25			1/0 Str.	1/0				
YC28A26			2/0 Str.	2/0				
YC28A28			3/0 Str. - 4/0 Str.	3/0 - 4/0				
YC33R26	300 - 397.5	336.4 (18-1) (26-7)	2 Str. - 2/0 Str.	2 - 1/0	1-1/2"	R	—	U-R (2)

* Multiple crimp die set; makes more than one crimp per tool compression.

Figure indicates number of compressions.

** Index number "D" is not "D3" Cabelok CRIMPIT™ die.

† U Die with adapter PT-6515.

‡ U Die with adapter PUADP-1.

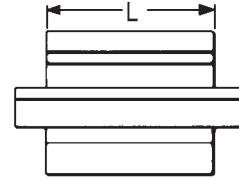
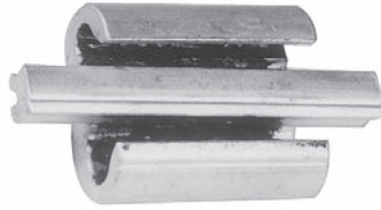
For faster installations use BURNDY® PATRIOT® family of battery tools.

H-23

TYPE YP-U

CABELOK™ CRIMPIT™

ACCOMMODATES: COPPER, AAC (STR, COMPRESSED, COMPACT), ACSR, AND AAAC



MATERIAL: ALUMINUM

Wide range, universal and reversible, Figure "3"-shaped aluminum connector with adjustable overhanging spacer that separates conductors. Spacer holds run or tap in place permitting lineman to either approach the line ready to crimp, or to assemble connector and tap on run and then crimp. Massive aluminum design minimizes conductor corrosion due to galvanic action. Pre-filled with PENETROX™ joint compound and

Stripsealed to limit oxide growth and to increase the life of the connection. Conductor range and tooling information clearly printed on connector and package.

RUS Accepted



H-24

Catalog Number	Conductor (See Chart Below for Compressed Conductor)						L	Die Index	Tools, Die Set Catalog Number, & (# of Crimps)				
	Groove A			Groove B					MD7, MD6	Y35, Y750, Y45 †, Y46 ‡			
	Solid	Stranded	ACSR	Solid	Stranded	ACSR							
YP2U3*	6, 4, 3, 2	6, 4, 3	6, 4	6, 4, 3, 2	6, 4, 3	6, 4	1-1/2"	O	W-0 (4)	U-0(1)			
YP26AU2	1, 1/0, 2/0, 3/0	2, 1, 1/0, 2/0	3, 2, 1, 1/0	6, 4, 3, 2, 1, 1/0	6, 4, 3, 2, 1	6, 4, 3, 2							
YP25U25**	2/0, 3/0	1, 1/0, 2/0	1, 1/0	2/0, 3/0	1, 1/0, 2/0	1, 1/0	1-5/8"	D3	MD6 (4)	U-D3 (1)			
YP27AU4	2/0, 3/0, 4/0	1,0, 2/0, 3/0	1/0, 2/0	6, 4, 3, 2	6, 4, 3	6, 4							
YP27AU2				2, 1, 1/0	3, 2, 1	4, 3, 2							
YP27AU26				3/0, 4/0	2/0, 3/0	2/0					2/0, 3/0	1/0, 2/0	1, 1/0, 2/0
YP28U2				—	4/0	3/0, 4/0					2, 1, 1/0	4, 3, 2, 1	4, 3, 2
YP28U26	2/0, 3/0	1/0, 2/0	1, 1/0, 2/0				3-1/2"	MD6 (9)	U - D3 (2)				

Catalog Number	Compressed Conductor				L	Die Index	Tool, Die Set Catalog No., & (# of Crimps)			
	Groove A		Groove B				MD7, MD6	Y36, Y750, Y45†, Y46‡		
	Stranded Aluminum	ACSR	Stranded Aluminum	ACSR						
YP2U3	6, 4, 3, 2	6, 4, 3	6, 4, 3, 2	6, 4, 3	1-1/2"	O	W-0 (4)	U-0(1)		
YP26AU2	2, 1, 1/0, 2/0	2, 1, 1/0, 2,0	6, 4, 3, 2, 1	6, 4, 3, 2, 1						
YP25U25	1/0, 2/0	1/0, 2/0	1/0, 2/0	1/0, 2/0	1-5/8"	D3	MD6 (4)	U-D3 (1)		
YP27AU4	2/0, 3/0	1/0, 2/0, 3/0	6, 4, 3	6, 4, 3						
YP27AU2			3, 2, 1	4, 3, 2, 1						
YP27AU26			3/0	2/0, 3/0					1/0, 2/0, 3/0	1/0, 2/0
YP28U2			4/0, 250, 266.8	4/0, 266.8, (18/1)					3, 2, 1	4, 3, 2, 1
YP28U26	1/0, 2/0, 3/0	1/0, 2/0			3-1/2"	MD6 ()	U - D3 (1)			
YP28U28	4/0	3/0, 4/0			3/0, 4/0	3/0, 4/0	2-3/4"	—	U - D3 (2)	

* TAKES UP to #2 ACSR maximum in either groove if other wire is #2 solid or smaller.

** TAKES DOWN to #2 ACSR minimum in either groove if other groove wire is 1/0 stranded or larger.

† U Die with adapter PT-6515.

‡ U Die with adapter PUADP-1.

Not recommended for copper to copper applications. Use a copper connector to increase connection life.

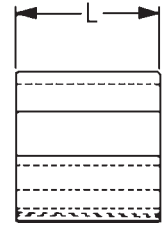
For faster installations use BURNDY® PATRIOT® family of battery tools.

TYPE YPC-U

UNIVERSAL CRIMPIT™

ACCOMMODATES: COPPER, AAC (STR, COMPRESSED, COMPACT), ACSR AND AAAC

MATERIAL: ALUMINUM



Extra wide range universal connector. Two dies and 5 connectors take run sizes 1/0-600, and tap sizes 6-400. Wide range made possible by long ram travel of BURNDY HYPRESS™ tools. Figure “6”-shape separates run and tap wires, and minimizes galvanic corrosion of conductors. Connector can be gripped in tool and slipped over line for easy

installation. Pre-filled with PENETROX™ joint compound and Stripsealed to limit oxide growth and to increase the life of the connection.

- ① 2/0 Str. Cu Aluminum and 2/0 ACSR may also be installed in run when tap is 3/0 Str. or larger.
- ② YPC28U4 only may be installed with MD6 HYTOOL™ and the BCT500HS with D3 groove.

- † U Die with adapter PT-6515.
 - ‡ U Die with adapter PUADP-1.
- Not recommended for copper to copper applications. Use a copper connector to increase connection life.

For faster installations use BURNDY® PATRIOT® family of battery tools.

Catalog Number	Run		Tap		L	Die Index	Tools, Die Set Catalog Number, & (# of Crimps)		
	Aluminum & Copper	ACSR, 5005	Aluminum & Copper	ACSR, 5005			Y35, Y750	Y45 †	Y46 ‡
YPC28U4	3/0 - 4/0 Str. & 4/0 - 250, 266.8 Alum. Compressed	3/0 - 4/0 & 4/0, 266.8 (18/1) ACSR Compressed	6, 4, 3 Str. 6, 4, 3, 2 Sol. & 6, 4, 3 Alum. Compressed	6, 4, 3 ACSR Compressed	1-5/8	D3 ②	U - D3 (1)	U - D3 (1)	U - D3 (1)
YPC28U26	1/0 (7) - 4/0 (7)	1/0 - 4/0	3 Sol. - 2/0 (7)	4 - 1/0	2-3/4	D3	U - D3 (2)	—	—
YPC28U28 ①	3/0 - 4/0 Str. & 4/0 Sol. & 4/0, 250, 266.8 Alum. Compressed	3/0 - 4/0 Str. & 3/0, 4/0, 266.8 (18/1) ACSR Compressed	2/0 - 4/0 Str. 4/0 Sol. & 3/0, 4/0, 250, 266.8 Alum. Compressed	2/0 - 4/0 Str. & 3/0, 4/0, 266.8 (18/1) ACSR Compressed	2-3/4	D3	U - D3 (2)	U - D3 (2)	U - D3 (2)
YPC28R28A	3/0 - 4/0 Str. & 4/0 - 250, 266.8 Alum. Compressed	3/0 - 4/0 & 4/0, 266.8 (18/1) ACSR Compressed	3/0 - 4/0 Str. & 4/0 Alum. Compressed	3/0 & 4/0 ACSR Compressed	2-3/4	D3	U - D3 (2)	U - D3 (2)	U - D3 (2)
YPC33R26U	250 (37) - 400 (37)	266.8 (18-1) - 397.5 (18-1)	6 Sol. - 2/0 (19)	6 - 1/0	2-1/8	N	U-N (2)	S-N (2)	P-N (2)
YPC33R28R	250 (37) - 477 (37)	266.8 (18-1) - 397.5 (18-1)	2/0 (19) - 4/0 (19)	2/0 - 4/0	8-7/8	N	U-N (3)	S-N (3)	P-N (3)
YPC33R33R	250 (37) - 400 (37)	266.8 (18-1) - 397.5 (18-1)	250 (37) - 400 (37)	266.8 (18-1) - 397.5 (18-1)	8-7/8	N	U-N (3)	S-N (3)	P-N (3)
YPC38R26U	477 (19) - 600 (61)	397.5 (26-7) - 556.5 (18-1)	6 Sol. - 2/0 (19)	6 - 1/0	2-1/8	N	U-N (2)	S-N (2)	P-N (2)
YPC36A32	397.5 (19) - 600 (61)	336.5 (26-7) - 556.5 (18-1)	2/0 (7) - 400 (37)	2/0 (6-1) - 397.5 (18-1)	5	Z	—	S-Z (3)	—
YPC36A36	397.5 (19) - 600 (61)	336.5 (26-7) - 556.5 (18-1)	397.5 (19) - 600 (61)	397.5 (26-7) - 556.5 (18-1)	6-3/4	Z	—	S-Z (4)	—
YPC40A32	600 (61) - 800 (61)	556.6 (18-1) - 795 (26-7)	2/0 (7) - 400 (37)	2/0 (6-1) - 397.5 (18-1)	5	T	—	S-T (3)	—
YPC40A36	600 (61) - 800 (61)	556.6 (18-1) - 795 (26-7)	397.5 (19) - 600 (61)	336.4 (26-7) - 556.5 (18-1)	5	T	—	S-T (3)	—
YPC40A40	600 (61) - 954 (61)	556.6 (18-1) - 795 (26-7)	600 (61) - 954 (61)	556.5 (18-1) - 795 (26-7)	9-7/8	T	—	S-T (6)	—

H-25

TYPE YC-U

UNIVERSAL CRIMPIT™

ACCOMMODATES: COPPER, AAC (STR, COMPRESSED, COMPACT), ACSR AND AAAC

MATERIAL: ALUMINUM

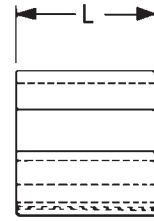


Figure "6" -shaped, wide range-taking aluminum compression tap connector for smaller primary service taps and secondary service drops. Minimizes galvanic corrosion of conductors. Connector can be gripped in tool and slipped over line for easy

installation. Installed with aluminum CRIMPIT™ dies. Pre-filled with PENETROX™ joint compound and Stripsealed to limit oxide growth and to increase the life of the connection.

Catalog Number	Run		Tap		L	Die Index	Tools, Die Set Catalog No., & (# of Crimps) Y35, Y750, Y45 †, Y46 ‡
	Aluminum & Copper	ACSR, 6201, 5005	Aluminum & Copper	ACSR, 6201, 5005			
YC4U1	4 Sol. - 4 Str.	4	6 Sol. - 1 Str.	6 - 1 Str.	1-7/8	D*	U-D (2)
YC1U1	2 Str. - 1 Str.	2					
YC28U26	1/0 Str. - 4/0 Str.	1/0 - 4/0	6 Sol. - 1/0 Str.	6 - 1/0	2-1/8	H	U-H (2)
YC33R26U	300 - 400	266.8 (6-7) - 336.4 (30-7)				R	U-R (2)

* Die Index "D" is not Die Index "D3" (CABLELOK™ & Universal CRIMPIT™ Die).
† U Die with adapter PT-6515.
‡ U Die with adapter PUADP-1.

Not recommended for copper to copper applications. Use a copper connector to increase connection life.

For faster installations use BURNDY® PATRIOT® family of battery tools.

H-26

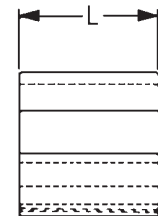
TYPES YPC-A-U, YPC-R-U

CRIMPIT™

STREET LIGHTING TAP

ACCOMMODATES: COPPER, AAC (STR, COMPRESSED, COMPACT), ACSR AND AAAC

MATERIAL: ALUMINUM



Compact compression connector designed to tap small lighting wires from secondaries. Figure "6" -shape separates run and tap, and minimizes

galvanic corrosion. Connector can be gripped in tool and slipped over line for easier installation. Pre-filled with PENETROX™ joint compound and Stripsealed to limit oxide growth and to increase the life of the connection.

* Multiple crimp die set, makes more than one crimp per tool compression. Figure indicates number of compressions. Not recommended for copper to copper applications. Use a copper connector to increase connection life. For faster installations use BURNDY® PATRIOT® family of battery tools.

Catalog Number	Run				Tap		L	Die Index	Tools, Die Set Catalog Number, & (# of Crimps)		
	ACSR	Compressed ACSR	Aluminum & Copper	Compressed Aluminum	Aluminum & Copper	MD7, MD6			Y35, Y750, Y45 †, Y46 ‡	OUR840	
YPC2A8U	6 - 4	6 - 2	4 - 2 Sol. 6 - 2 Str.	4 - 2	14 Sol. - 8 Str.	5/8	BG or 5/8	BG (1) W-BG (1)*	U-BG (1)	XBG	
YPC26R8U	2 - 3/0	1 - 3/0	1 - 3/0	1/0 - 3/0	14 Sol. - 8 Str.	3/4	O	W-O (2)	U-O (1)	W-O	

TYPE CC

CRIMPIT™ COVER

For All O, D and N Die Tap Connectors



High density polyethylene cover accommodates most industry connectors in the O, D and N range. Four sizes cover the full #6-600 kcmil conductor range. One piece design. No extra hardware needed. Simply slip over connector and snap shut. Supplied in Black.

Catalog Number	Maximum Connector Length	Connector Series Accommodated
CCO	2-1/2	O Die
CCD	2-3/4	D Die
CCN	2-1/8	Short N Die
CCNL	5-3/16	Long N Die and YP28U26

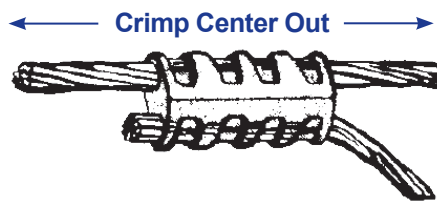
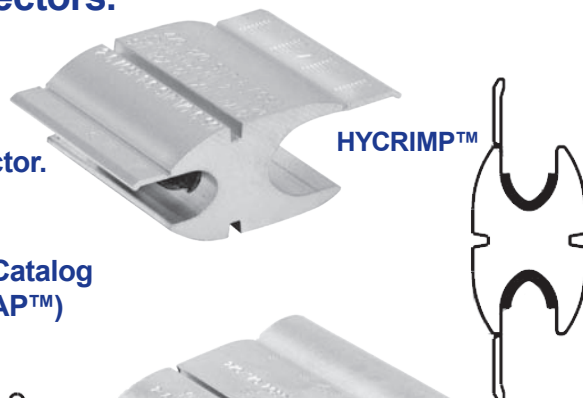
H-27

3 Simple Selection Steps for BURNDY® HYCRIMP™ and LOKTAP™ Compression Tap Connectors:

1. Follow down from the smaller wire.
2. Go across from the larger wire.
3. Intersection of the two shows the proper connector.

Example:

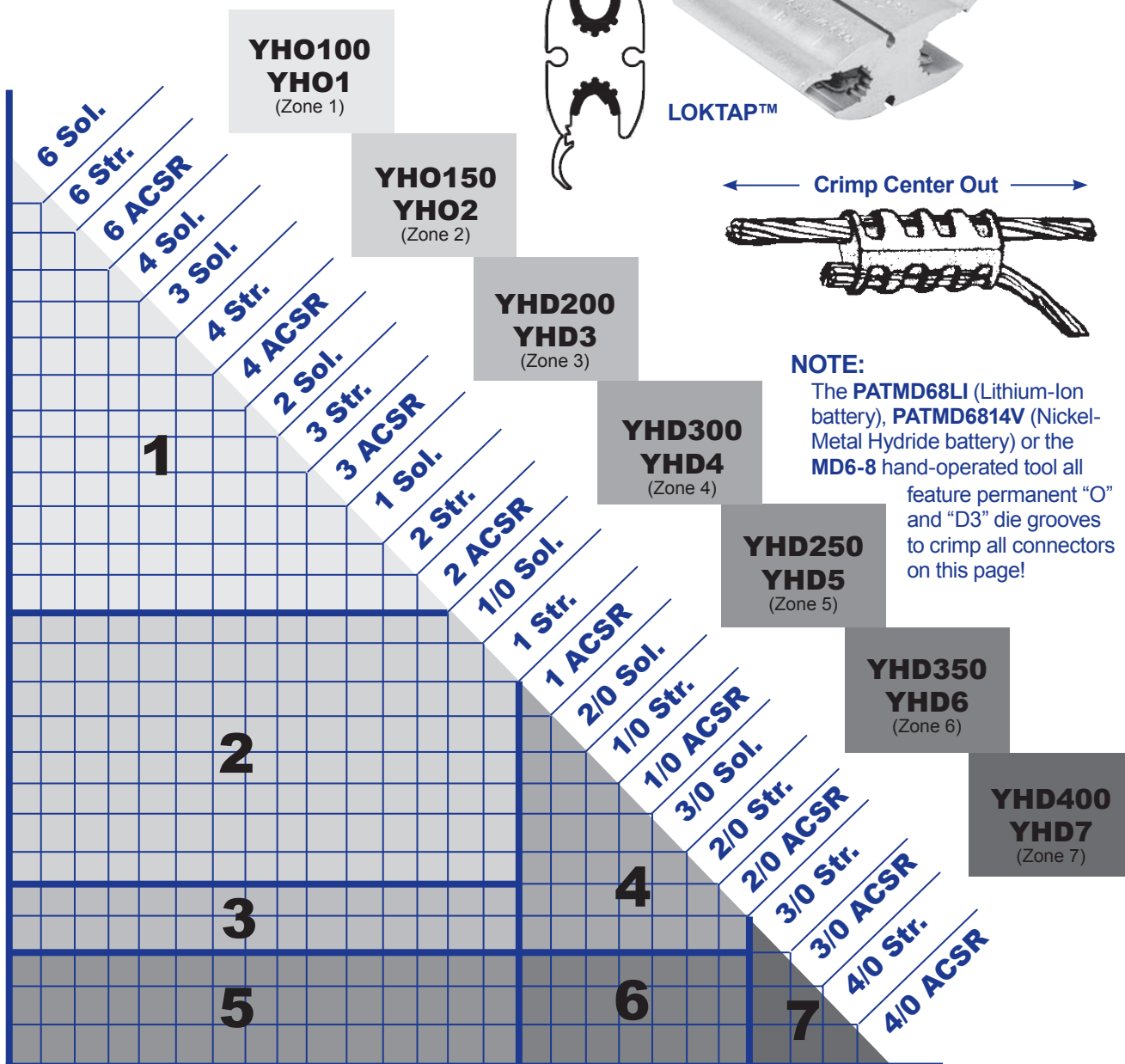
#2 ACSR to #1/0 Stranded would fall in Zone 2; Catalog Number: YHO150 (HYCRIMP™) or YHO2 (LOKTAP™)



NOTE:

The PATMD68LI (Lithium-Ion battery), PATMD6814V (Nickel-Metal Hydride battery) or the MD6-8 hand-operated tool all feature permanent "O" and "D3" die grooves to crimp all connectors on this page!

H-28



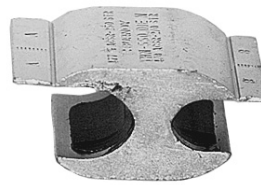
TYPES YHO & YHD

HYCRIMP™

Accommodates: Aluminum (STR, Compressed, Compact) Copper, ACSR, AACR and Steel

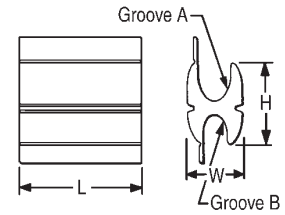
Material: Aluminum

Wide range, universal and reversible figure H shaped aluminum connector. Conductors are separated by the shape of the connector. Bendable



RUS Accepted

tabs secure both run and tap conductors freeing the lineman's hands to work with the installation tool. Massive aluminum design minimizes corrosion due to galvanic corrosion. Prefilled with



PENETROX™ joint compound and strip sealed to limit oxid growth and increase the life of the connection. Individually packaged and conductor ranges and tooling clearly printed on connector and package.

Handtool or Hydraulic 7 Connector Program														
Catalog Number	Code No.	Conductors (See Below for Compact Conductors)								Dimensions			Installation Data	
		Groove A (Run)				Groove B (Tap)							Tool, Die Set Cat. No. & (# Crimps)	
		Wire Diameter Range	Sol.	Str.	ACSR	Wire Diameter Range	Sol.	Str.	ACSR	H	L	W	MD78 MD68	Y35, Y750, Y45†, Y46‡
YHO-100	1	0.162-0.332	#6 - #1	#6 - #1	#6 (6/1) - #2 (7/1)	0.162-0.332	#6 - #1	#6 - #1	6 (6/1) - 2 (7/1)	1.12	1.25	0.70	⊙ (4)	UO (2)
YHO-150	2	0.260-0.419	#1 - 2/0	#3 - 2/0	#3 (6/1) - 1/0 (6/1)	0.162-0.332	#6 - 1/0	#6 - #1	6 (6/1) - 2 (7/1)	1.13	1.50	0.70	⊙ (5)	UO (2)
YHD-200	3	0.398-0.470	3/0 - 4/0	2/0 - 3/0	1/0 (6/1) - 2/0 (6/1)	0.162-0.332	#6 - 1/0	#6 - #1	6 (6/1) - 2 (7/1)	1.45	1.62	0.89	⊙ (5)	UD3 (2)
YHD-250	4	0.475-0.563	250 - 300	4/0	3/0 (6/1) - 4/0 (6/1)	0.162-0.332	#6 - 1/0	#6 - #1	6 (6/1) - 2 (7/1)	1.47	1.62	0.89	⊙ (5)	UD3 (2)
YHD-300	5	0.336-0.470	2/0 - 4/0	#1 (3) - 3/0	#1 (6/1) - 2/0 (6/1)	0.336-0.447	2/0 - 3/0	#1 - 2/0	1 (6/1) - 2/0 (6/1)	1.42	1.62	0.89	⊙ (5)	UD3 (2)
YHD-350	6	0.461-0.563	250 - 300	3/0 - 4/0	3/0 (6/1) - 4/0 (6/1)	0.336-0.447	2/0 - 3/0	#1 - 2/0	1 (6/1) - 2/0 (6/1)	1.42	2.25	0.89	⊙ (7)	UD3 (3)
YHD-400	7	0.461-0.563	250 - 300	3/0 - 4/0	3/0 (6/1) - 4/0 (6/1)	0.461-0.563	250 - 300	3/0 - 4/0	3/0 (6/1) - 4/0 (6/1)	1.40	2.50	0.84	⊙ (7)	UD3 (3)

Compact Conductors								Installation Data		
Catalog Number	Code No.	Groove A (Run)			Groove B (Tap)			Tool, Die Set Catalog No. & (# of Crimps)		Die Index
		Wire Diameter Range	Compact ACSR	Compact CU or AL	Wire Diameter Range	Compact ACSR	Compact CU or AL	MD78 MD68	Y35, Y750, Y45†, Y46‡	
		H	L	W	MD78 MD68	Y35, Y750, Y45†, Y46‡				
YHO-100	1	0.162-0.332	#6 - #1	#6 - #4 - #1	0.162-0.332	#6 - #1	#6 - #1	⊙ (4)	UO (2)	O
YHO-150	2	0.260-0.419	#2 - 1/0	#2 - 2/0	0.162-0.332	#6 - #1	#6 - #1	⊙ (5)	UO (2)	O
YHD-200	3	0.398-0.470	2/0 - 3/0	3/0	0.162-0.332	#6 - #1	#6 - #1	⊙ (5)	UD3 (2)	D3
YHD-250	4	0.475-0.563	4/0 - 266.8	4/0 - 266	0.162-0.332	#6 - #1	#6 - #1	⊙ (5)	UD3 (2)	D3
YHD-300	5	0.336-0.470	1/0 - 3/0	1/0 - 3/0	0.336-0.447	1/0 - 2/0	1/0 - 3/0	⊙ (5)	UD3 (2)	D3
YHD-350	6	0.461-0.563	3/0 - 266.8	4/0 - 266	0.336-0.447	1/0 - 2/0	1/0 - 3/0	⊙ (7)	UD3 (3)	D3
YHD-400	7	0.461-0.563	3/0 - 266.8	4/0 - 266	0.461-0.563	3/0 - 266.8	4/0 - 266	⊙ (7)	UD3 (3)	D3

Handtool or Hydraulic 4 Connector Program													
Catalog Number	Wire Dia. Range	Conductors (See Below for Compact Conductors)							Dimensions			Installation Data	
		Groove A (Run)				Groove B (Tap)						Tool, Die Set Cat. No. & (# of Crimps)	
		Sol.	Str.	ACSR	Wire Dia. Range	Sol.	Str.	ACSR	H	L	W	MD78 MD68	Y35, Y750, Y45†, Y46‡
		H	L	W	MD78 MD68	Y35, Y750, Y45†, Y46‡							
YHO-125	0.162-0.398	#6 - 2/0	#6 - 1/0	6 (6/1) - 1/0 (6/1)	0.162-0.332	#6 - 1/0	6 - #1	#6 (6/1) - #2 (7/1)	1.15	1.62	0.70	O	UO (2)
YHD-250	0.475-0.563	250 - 300	4/0	3/0 (6/1) - 4/0 (6/1)	0.162-0.332	#6 - 1/0	6 - #1	#6 (6/1) - #2 (7/1)	1.47	1.62	0.89	D3	UD3 (2)
YHD-350	0.461-0.563	250 - 300	3/0 - 4/0	3/0 (6/1) - 4/0 (6/1)	0.336-0.447	2/0 - 3/0	#1 - 2/0	#1 (6/1) - 2/0 (6/1)	1.42	2.25	0.89	D3	UD3 (3)
YHD-400	0.461-0.563	250 - 300	3/0 - 4/0	3/0 (6/1) - 4/0 (6/1)	0.461-0.563	4/0	3/0 - 4/0	3/0 (6/1) - 4/0 (6/1)	1.40	2.50	0.84	D3	UD3 (3)

Compact Conductors							Installation Data		
Catalog Number	Groove A (Run)			Groove B (Tap)			Tool, Die Set Catalog No. & (No. of Crimps)		Die Index
	Wire Diameter Range	Compact ACSR	Compact CU or AL	Wire Diameter Range	Compact ACSR	Compact CU or AL	MD78 MD68	Y35, Y750, Y45†, Y46‡	
	H	L	W	MD78 MD68	Y35, Y750, Y45†, Y46‡				
YHO-125	0.162-0.398	#6 - 2/0	#6 - 1/0	0.162-0.332	#6 - #1	#6 - #1	O	UO (2)	O
YHD-250	0.475-0.563	4/0 - 266.8	4/0 - 266	0.162-0.332	#6 - #1	#6 - #1	D3	UD3 (2)	D3
YHD-350	0.461-0.563	3/0 - 266.8	4/0 - 266	0.336-0.447	#1 - 2/0	1/0 - 3/0	D3	UD3 (3)	D3
YHD-400	0.461-0.563	3/0 - 266.8	4/0 - 266	0.461-0.563	3/0 - 266.8	4/0 - 266	D3	UD3 (3)	D3

† U Die with adapter PT-6515
‡ U Die with adapter PUADP
For faster installations use BURNDY® PATRIOT

family of battery tools.
① See page H-27 for Seven Connector Selector Chart.
⊙ Permanent dies in tool install all sizes.

Not recommended for copper to copper applications.
Use a copper connector to increase connection life.

H-29

Overhead Distribution Compression Tap

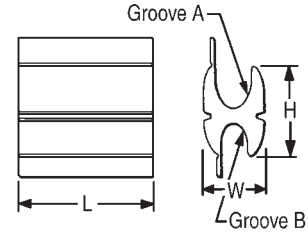
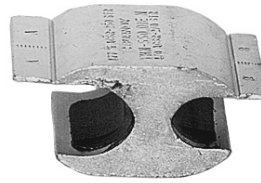
BURNDY®

TYPE YHN & YHR

HYCRIMP™

Accommodates: Aluminum (STR, Compressed, Compact) Copper, ACSR, AAAC and Steel

Material: Aluminum



RUS Accepted

H-30

N Die Connectors*													
Catalog Number	Conductors (See Below for Compact Conductors)							Dimensions			Installation Data		
	Groove A (Run)			Groove B (Tap)							Tool, Die Set Catalog No. & (# of Crimps)		
	Wire Diameter Range	Str.	ACSR	Wire Diameter Range	Sol.	Str.	ACSR	H	L	W	Y35, Y750	Y45	Y46
	YHN-450	0.522 - 0.743	4/0 - 400	4/0 (6/1) - 397.5 (18/1)	0.522 - 0.743	336 - 477	4/0 - 400						
YHN-500	0.522 - 0.814	4/0 - 500	4/0 (6/1) - 477.0 (18/1)	0.162 - 0.447	#6 - 3/0	#6 - 2/0	#6 (6/1) - 2/0 (6/1)	1.96	1.62	1.28	U-N (2)	S-N (2)	P-N (2)
YHN-525	0.522 - 0.814	4/0 - 500	4/0 (6/1) - 477.0 (18/1)	0.522 - 0.814	-	4/0 - 500	4/0 (6/1) - 477.0 (18/1)	1.82	4.50	1.23	U-N (3)	S-N (3)	P-N (3)
YHN-550	0.573 - 0.814	250 - 500	266.8 (18/1) - 477.0 (18/1)	0.410 - 0.563	3/0 - 300	2/0 - 4/0	2/0 (6/1) - 4/0 (6/1)	1.90	2.00	1.28	U-N (2)	S-N (2)	P-N (2)
YHN-600	0.573 - 0.814	250 - 500	266.8 (18/1) - 477.0 (18/1)	0.574 - 0.684	336 - 400	250 - 350	266.8 (18/1) - 336.4 (18/1)	2.00	3.50	1.28	U-N (3)	S-N (3)	P-N (3)

Compact Conductors							Installation Data			
Catalog Number	Groove A (Run)			Groove B (Tap)			Die Index	Tool, Die Set Catalog No. & (# of Crimps)		
	Wire Diameter Range	Compact ACSR	Compact CU or AL	Wire Diameter Range	Compact ACSR	Compact CU or AL		Y35, Y750	Y45	Y46
YHN-450	0.522 - 0.743	266.8 - 477	250 - 500	0.522 - 0.743	266.8 - 477	250 - 500	N	U-N (3)	S-N (3)	P-N (3)
YHN-500	0.522 - 0.814	266.8 - 556.5	250 - 556	0.162 - 0.447	#6 - 2/0	#6 - 3/0	N	U-N (2)	S-N (2)	P-N (2)
YHN-525	0.522 - 0.814	266.8 - 556.5	250 - 556	0.522 - 0.814	266.8 - 556.5	250 - 556	N	U-N (3)	S-N (3)	P-N (3)
YHN-550	0.573 - 0.814	300 - 556.5	300 - 556	0.410 - 0.563	2/0 - 266.8	3/0 - 266.8	N	U-N (2)	S-N (2)	P-N (2)
YHN-600**	0.573 - 0.814	300 - 556.5	300 - 556	0.574 - 0.684	300 - 397.5	300 - 397.5	N	U-N (3)	S-N (3)	P-N (3)

R Die Connectors*												
Catalog Number	Conductors (See Below for Compact Conductors)							Dimensions			Tool, Die Set Catalog No. & (# of Crimps)	
	Groove A (Run)			Groove B (Tap)							Y45	Y46
	Wire Diameter Range	Str.	ACSR	Wire Diameter Range	Sol.	Str.	ACSR	H	L	W		
	YHR-700	.666 - .893	336 - 600	300 - 556 (18/1)	.398 - .684	3/0 - 350	2/0 - 350				1/0 - 336.4 (18/1)	3.04
YHR-750	.666 - .893	336 - 600	300 - 556 (18/1)	.666 - .893	N/A	350 - 600	300 - 556 (18/1)	3.04	4.62	1.74	S-KR (4)	P-KR (4)
YHR-800	.879 - 1.108	600 - 900	556.5 (18/1) - 795 (26/7)	.398 - .684	3/0 - 350	2/0 - 350	1/0 - 336.4 (18/1)	3.05	3.50	1.74	S-KR (3)	P-KR (3)
YHR-850	.879 - 1.108	600 - 900	556.5 (18/1) - 795 (26/7)	.666 - .893	N/A	350 - 600	300 - 556 (18/1)	3.04	4.62	1.74	S-KR (4)	P-KR (4)
YHR-900	.879 - 1.108	600 - 900	556.5 (18/1) - 795 (26/7)	.879 - 1.108	N/A	600 - 900	556.5 (18/1) - 795 (26/7)	2.97	4.62	1.74	S-KR (4)	P-KR (4)
YHR-950	.666 - 1.165	336 - 1000	336.4 (18/1) - 954 (45/7)	.666 - 1.165	N/A	336 - 1000	336.4 (18/1) - 954 (45/7)	3.14	6.00	1.66	S-KR (5)	P-KR (5)

Compact Conductors							Installation Data		
Catalog Number	Groove A (Run)			Groove B (Run)			Die Index	Tool, Die Set Catalog No. & (# of Crimps)	
	Wire Diameter Range	Comp. ACSR	Compact CU or AL	Wire Diameter Range	Comp. ACSR	Compact CU or AL		Y45	Y46
YHR-700	.666 - .893	397 - 636	477 - 636	.398 - .684	2/0 - 397 (18/1)	3/0 - 397.5	KR	S-KR (3)	P-KR (3)
YHR-750	.666 - .893	397 - 636	477 - 636	.666 - .893	397 - 636	477 - 636	KR	S-KR (4)	P-KR (4)
YHR-800	.879 - 1.108	795 - 954	795 - 954	.398 - .684	2/0 - 397 (18/1)	3/0 - 397.5	KR	S-KR (3)	P-KR (3)
YHR-850	.879 - 1.108	795 - 954	795 - 954	.666 - .893	397 - 636	477 - 636	KR	S-KR (4)	P-KR (4)
YHR-900	.879 - 1.108	795 - 954	795 - 954	.879 - 1.108	795 - 954	795 - 954	KR	S-KR (4)	P-KR (4)
YHR-950	.666 - 1.165	-	-	.666 - 1.165	N/A	-	KR	S-KR (5)	P-KR (5)

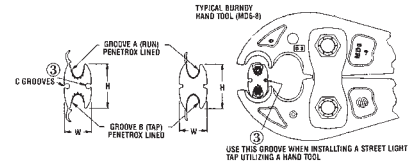
* HYCRIMP™ connectors can be installed with competitive R dies.

** Die Index S-T and S-Z may also be used on sizes 700 - 900 only. S-KR required for 950 and S-Z.

For faster installations use BURNDY® PATRIOT® family of battery tools. Not recommended for copper to copper applications. Use a copper connector to increase connection life.

LOKTAP™

LOKTAP™ compression connectors are high quality, range-taking devices which accommodate combinations of aluminum to copper, and aluminum to aluminum conductors. BURNDY seven connector program accommodates a conductor range from #6 Sol. to 4/0 ACSR. In addition, LOKTAP™ products feature a “C” groove on both sides of the connector for use in street lighting applications from #14 Sol. to #10



Sol. LOKTAP™ connectors are designed to be installed with BURNDY mechanical or hydraulic tools and matching O and D3 die set.

Handtool or Hydraulic 7 Connector Program ①														
Catalog Number	① Code No.	Conductors (See Below for Compact Conductors)								Dimensions			Installation Data	
		Groove A (Run)			Groove B (Tap)			② MD7, MD6	Y35, Y750, Y45†, Y46‡					
		Wire Diameter Range	Sol.	Str.	ACSR	Wire Diameter Range	Sol.			Str.	ACSR	H	L	W
YHO-1	1	0.162 - 0.328	#6 - #1	#6 - #1	#6 - #2	0.162 - 0.328	#6 - #1	#6 - #1	#6 - #2	1.11	1.25	0.67	(4)	UO (2)
YHO-2	2	0.260 - 0.419	#1 - 2/0	3 - 2/0	#3 - 1/0	0.162 - 0.332	#6 - 1/0	#6 - #1	#6 - #2	1.12	1.50	0.64	(5)	UO (2)
YHD-3	3	0.398 - 0.470	3/0 - 4/0	2/0 - 3/0	1/0 - 2/0	0.162 - 0.332	#6 - 1/0	#6 - #1	#6 - #2	1.47	1.88	0.76	(5)	UD3 (2)
YHD-4	4	0.336 - 0.470	2/0 - 4/0	1 - 3/0	#1 - 2/0	0.336 - 0.477	2/0 - 3/0	#1 - 2/0	#1 - 2/0	1.42	1.88	0.83	(5)	UD3 (2)
YHD-5	5	0.475 - 0.563	250 - 300	4/0	3/0 - 4/0	0.162 - 0.332	#6 - 1/0	#6 - #1	#6 - #2	1.47	1.88	0.87	(5)	UD3 (2)
YHD-6	6	0.461 - 0.563	250 - 300	3/0 - 4/0	3/0 - 4/0	0.336 - 0.447	2/0 - 3/0	#1 - 2/0	#1 - 2/0	1.42	2.25	0.83	(6)	UD3 (3)
YHD-7	7	0.461 - 0.563	250 - 300	250 - 300	3/0 - 4/0	0.461 - 0.563	200 - 300	3/0 - 4/0	3/0 - 4/0	1.40	2.52	0.84	(7)	UD3 (3)

H-31

Compact Conductors								Installation Data		
Catalog Number	① Code No.	Groove A (Run)			Groove B (Tap)			Tool, Die Set Catalog No. & (# of Crimps)		Die Index
		Wire Diameter Range	Compact ACSR	Compact CU or AL	Wire Diameter Range	Compact ACSR	Compact CU or AL	② MD7, MD6	Y35, Y750, Y45†, Y46‡	
YHO-1	1	0.162 - 0.328	#6 - #1	#6 - #1	0.162 - 0.328	#6 - #1	#6 - #1	(4)	UO (2)	O
YHO-2	2	0.260 - 0.419	#2 - 1/0	#2 - 2/0	0.162 - 0.332	#6 - #1	#6 - #1	(5)	UO (2)	O
YHD-3	3	0.398 - 0.470	2/0 - 3/0	3/0	0.162 - 0.332	#6 - #1	#6 - #1	(5)	UD3 (2)	D3
YHD-4	4	0.336 - 0.470	1/0 - 3/0	1/0 - 3/0	0.338 - 0.447	1/0 - 2/0	1/0 - 3/0	(5)	UD3 (2)	D3
YHD-5	5	0.475 - 0.563	4/0 - 266	4/0 - 266	0.162 - 0.332	#6 - #1	#6 - #1	(5)	UD3 (2)	D3
YHD-6	6	0.461 - 0.563	3/0 - 266.8	4/0 - 266	0.338 - 0.447	1/0 - 2/0	1/0 - 3/0	(6)	UD3 (3)	D3
YHD-7	7	0.461 - 0.563	3/0 - 266.8	4/0 - 266	0.461 - 0.563	3/0 - 266.8	4/0 - 266	(7)	UD3 (3)	D3

Handtool or Hydraulic 4 Connector Program												
Catalog Number	Conductors (See Below for Compact Conductors)								Dimensions			Installation Data
	Groove A (Run)				Groove B (Tap)							Tool, Die Set Catalog No. & (# of Crimps)
	Wire Dia. Range	Sol.	Str.	ACSR	Wire Dia. Range	Sol.	Str.	ACSR	H	L	W	Y35, Y750, Y45†, Y46‡
YHO125	0.162 - 0.398	#6 - 2/0	#6 - 1/0	#6 - 1/0	.162 - .332	#6 - 1/0	#6 - #1, 19 Str.	#6 - #2	1.15	1.62	0.70	UO (2)
YHD-5	0.475 - 0.563	250 - 300	4/0	3/0 (6/1) - 4/0 (6/1)	0.162 - 0.332	#6 - 2	#6 - 1/0	#6 - #1	1.47	1.88	0.87	UD3 (2)
YHD-6	0.461 - 0.563	250 - 300	3/0 - 4/0	3/0 (6/1) - 4/0 (6/1)	0.336 - 0.447	#1 - 2/0	2/0 - 3/0	#1 - 2/0	1.42	2.25	0.83	UD3 (3)
YHD-7	0.461 - 0.563	250 - 300	250 - 300	3/0 (6/1) - 4/0 (6/1)	0.461 - 0.563	3/0 - 4/0	200 - 300	3/0 - 4/0	1.40	2.52	0.84	UD3 (3)

Compact Conductors							Installation Data	
Catalog Number	Groove A (Run)			Groove B (Tap)			Tool, Die Set No. & (# of Crimps)	Die Index
	Wire Dia. Range	Compact ACSR	Compact CU or AL	Wire Dia. Range	Compact ACSR	Compact CU or AL		
YHO125	0.162 - 0.398	#6 - 2/0	#6 - 1/0	.162 - .332	#6 - #1	#6 - #1	UO (2)	O
YHD-5	0.475 - 0.563	4/0 - 266	4/0 - 266	.162 - 0.332	#6 - #1	#6 - #1	UD3 (2)	D3
YHD-6	0.461 - 0.563	3/0 - 266.8	4/0 - 266	.338 - 0.447	1/0 - 2/0	1/0 - 3/0	UD3 (3)	D3
YHD-7	0.461 - 0.563	3/0 - 266.8	4/0 - 266	.461 - 0.563	3/0 - 266.8	4/0 - 266	UD3 (3)	D3

① See page H-27 for Seven Connector Selector Chart.
 ② PERMANENT DIES IN TOOL INSTALL ALL SIZES.
 ③ “C” grooves accommodate #10 Sol. - #14 Sol. range, .116”-.064”. No “C” grooves on Cat. #YHO125. When utilizing “C” groove(s) apply PENETROX™ A13 prior to wire installation. If utilizing two (2) “C” groove taps, installation to be made with HYDRAULIC TOOL ONLY. All four (4) grooves CANNOT be utilized if using a hand tool. When hand tool is used, only one (1) “C” groove can be used; connector MUST be positioned as shown in drawing.

† U Die with adapter PT-6515.
 ‡ U Die with adapter PUADP-1.

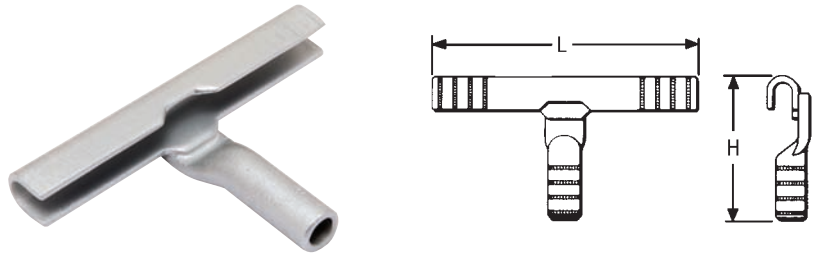
TYPE YCT

HYTEE™

ACCOMMODATES: COPPER

MATERIAL: TIN PLATED COPPER

One-piece, copper compression tap connector with U-shaped run element and tubular tap for joining hard and medium-hard drawn copper. Preformed run element simplifies installation on larger conductors. Uses same die as equivalent full-tension sleeve.



Conductors			H	L	Die Index	Run		Tap	
Catalog Number	Run	Tap				Tools, Die Set Catalog Number, & (Crimps per End)	Tools, Die Set Catalog Number, & (Crimps per End)		
						MD7, MD6	Y35, Y750, Y45 †, Y46 ‡	MD6	Y35, Y750, Y45 †, Y46 ‡
YCT2626	2/0 (7, 12, 19)	2/0 (7, 12, 19)	3.26"	5.62"	166	W166 (4)	U166/U459 (2)	W166 (6)	U-166 (3)
YCT2828	4/0 (7, 12, 19)	4/0 (7, 12, 19)	4.00"	5.72"	168	—	U168(2)	—	U-168 (3)

† U Die with adapter PT-6515.
‡ U Die with adapter PUADP-1.

For faster installations use BURNDY® PATRIOT® family of battery tools.

H-32

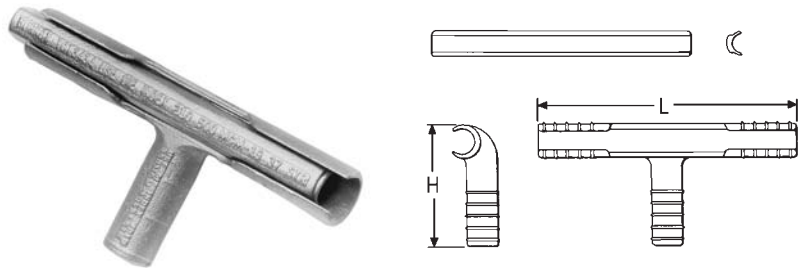
TYPE YOT

HYTEE™

ACCOMMODATES: COPPER

MATERIAL: TIN PLATED COPPER

Cast copper T-tap connector with two-piece line element and tubular tap for joining hard and medium drawn copper. Design simplifies installation on large conductors. Uses same die as equivalent sleeve.



Catalog Number	Run	Tap	H	L	Die Index	Run		Tap	
						Tools, Die Set Catalog Number, & (Crimps per End)		Tools, Die Set Catalog Number, & (Crimps per End)	
						Y35, Y750, Y45 †, Y46 ‡	Y60B	Y35, Y750, Y45 †, Y46 ‡	Y60BHU
YOT3434	500 (19, 37)	500 (19, 37)	4.82"	10.38"	210	U210 (6)	L210 (2)	U210 (6)	L210 (2)

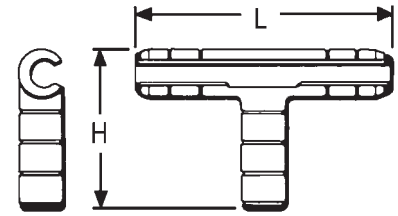
† U Die with adapter PT-6515.
‡ U Die with adapter PUADP-1.

For faster installations use BURNDY® PATRIOT® family of battery tools.

TYPE YTU-R-R

T-TAP

ACCOMMODATES: COPPER, AAC (STR, COMPRESSED, COMPACT), ACSR AND AAAC



MATERIAL: ALUMINUM

One-piece heavy-wall aluminum compression tap connector for secondary service drop and transformer tap to primary or secondary. Connector can be gripped in tool for easy installation. Pre-filled with PENETROX™ joint compound, stripsealed and

capped to limit oxide growth and to increase the life of the connection.

Catalog Number	Run			Tap			H	L	Tools, Die Set Catalog Number, & (Crimps per End)					
	ACSR, 6201, 5005	Aluminum	Copper	ACSR, 6201, 5005	Aluminum	Copper			Run			Tap		
									Die Index	MD7, MD6	Y35, Y750, Y45†, Y46‡	Die Index	MD7, MD6	Y35, Y750, Y45, Y46‡
YTU25R4W	1/0 80 (8-1)	1/0 (7, 19)	1/0 (7, 12, 19)	#6	#4 (7) #4 SLD	#4 (7) #4 Sol.	2-3/8	4-7/8	C	W-C (2)	U-C (1)*	BG	BG (3) W-BG (1)*	U-BG (1)*
YTU25R25R				1/0 80 (8-1)	1/0 (7, 19)	—								
YTU26R26R	2/0	2/0 (7, 19)	2/0 (7, 12, 19)	2/0	2/0 (7, 19)	2/0 (7, 12, 19)	3-3/8	7	L	W-L (4)	U-L (2)	L	—	U-L (2)
YTU27R27R	3/0	3/0 (7, 19)	3/0 (7, 12, 19)	3/0	3/0 (7, 19)	3/0 (7, 12, 19)								
YTU28R28R	4/0	4/0 (7, 19)	4/0 (7, 12, 19)	4/0	4/0 (7, 19)	4/0 (7, 12, 19)								
YTU30R30R	266.8 (18-1, 26-7, 6-7)	266.7 (7, 19, 37) 250 (19, 37) 300 (19, 37)	250 (12, 19, 37) 300 (19, 37)	266.8 (18-1, 26-7, 6-7)	266.7 (7, 19, 37) 250 (19, 37) 300 (19, 37)	250 (12, 19, 37)	4-3/8	8-3/4	M	—	U-M (3)	M	—	U-M (3)
YTU321R2R	300 (26-7) 336.4 (18-1)	350 (19, 37) 336.4 (19, 37)	350 (19, 37)	2	2 (7 STR.)	2 (3, 7 Str.)	2-5/8	6-5/8	M			BG	BG (3) W-BG (1)*	U-BG (1)*
YTU321R26R				2/0	2/0 (7, 19)	2/0 (7, 12, 19)	3-1/2	8-5/8	M			L	—	U-L (2)
YTU321R27R				3/0	3/0 (7, 19)	3/0 (7, 12, 19)								
YTU321R28R				4/0	4/0 (7, 19)	4/0 (7, 12, 19)								
YTU321R321R				336.4 (18-1) 300 (26-7)	336.4 (19, 37) 350 (19, 37)	350 (19, 37)	—	—	M			M	—	U-M (3) U-M (2)
YTU33R26R	336.4 (30.7) (26-7) 397.5 (18.1)	397.5 (19, 37) 400 (19, 37)	400 (19, 37)	2/0	2/0 (7, 19)	2/0 (7, 12, 19)	3-1/2	8-5/8	M			L	—	U-L (2)
YTU33R28R			4/0	4/0 (7, 19)	4/0 (7, 12, 19)	M			L			—	U-L (2)	
YTU33R33R			336.4 (30-7, 26-7) 397.5 (181)	397.5 (19, 37) 400 (19, 37)	400 (19, 37)	336.4 (30-7, 26-7) 397.5 (181)	397.5 (19, 37) 400 (19, 37)	400 (19, 37)	4-3/8			8-3/4	M	M

* Multiple crimp die set, makes more than one crimp per tool compression. Figure indicates number of compressions.
 † U Die with adapter PT-6515
 ‡ U Die with adapter PUADP-1.

Not recommended for copper to copper applications. Use a copper connector to increase connection life. For faster installations use BURNDY® PATRIOT® family of battery tools.

H-33

Overhead Distribution

Compression Tap (Disconnectable)

BURNDY®

TYPE YTA-R-2N

DISCONNECTABLE T-TAP (WITH PAD)

ACCOMMODATES: COPPER, AAC
(STR, COMPRESSED, COMPACT),
ACSR AND AAAC

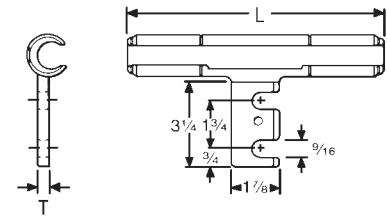


Fig. 1

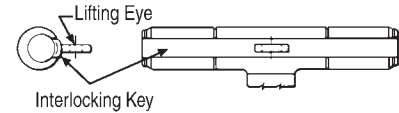


Fig. 2

MATERIAL: ALUMINUM

Aluminum primary T-tap connector with slotted tap pad designed for easy disconnecting of tap conductor. Tap pad accommodates compression terminals Types YKA-R-2N and YKA-A-2N, and has positioning socket for proper alignment. On sizes larger than 336.4 ACSR, the YTA-R-2N run element has two piece interlocking key with lifting eye that simplifies hotline installations. Catalog number does not include mating terminal.

H-34

Catalog Number	ACSR, 6201, 5005	Copper	Aluminum	Fig. No.	L	T	Die Index	Tools, Die Set Catalog Number, & (# of Crimps per End)				
								MD7, MD6	Y35, Y750	Y45 †	Y46 ‡	Y60-
YTA2R-2N	2	2 (3, 7) 1 (7)	2 (7) 1 (7)	1	6-1/8	3/8	BG or 243	BG (2) W-BG (1)* W243 (2)	U-BG (1)* U243 (1)			
YTA25R-2N	1/0	1/0 (7, 12, 19)	1/0 (7, 19)	1			247 C 659	W-C (4) W247 (1)	U659 (1) U-C (1) U247 (1)			
YTA26R-2N	2/0	2/0 (7, 12, 19)	2/0 (7, 19)	1			L or 251	W-L (4)	U-L (2) U251 (3)			
YTA27R-2N	3/0	3/0 (7, 12, 19)	3/0 (7, 19)	1	7-7/8							
YTA28R-2N	4/0	4/0 (7, 12, 19)	4/0 (7, 19)	1								
YTA321R-2N	300 (26-7) 336.4 (18-1)	350 (19, 37)	336.4 (19, 37, 61) 350 (19, 37, 61)	1	9-1/2	1/2	M	U-M (3) U317 (4)				
YTA33R-2N	336.4 (26-7, 30-7) 397.5 (18-1)	400 (19, 37)	397.5 (19, 37, 61) 400 (19, 37, 61)	1								
YTA361R-2N	477 (18-1)	—	—	2					13-1/8			
YTA37R-2N	477 (24-7, 26-7, 30-7)	—	556.6 (19, 37)	2		U-M (5)						
YTA39R-2N	556.5 (24-7, 26-7)	—	636 (37) 650 (61)	2	16-1/4	608	U608 (9)			L608 (3)		
YTA43R-2N	605 (30-19) 605 (30-9) 636 (24-7, 26-7, 30-19) 666.6 (24-7)	—	795 (37, 61)	2	16-1/2	3/4	292 or 319	—	S929 (9) S319 (9)	P929 (9) P319 (9)	L929 (9) P319 (9)	
YTA391A-2N	—	—	795 (37, 61)	2						342		S342 (9)

* Multiple crimp die set, makes more than one crimp per tool compression. Figure indicates number of compressions.

† U Die with adapter PT-6515.
‡ U Die with adapter PUADP-1.

For faster installations use BURNDY® PATRIOT® family of battery tools.

**TYPES YKA-R-2N &
YKA-A-2N**

**DISCONNECTABLE TERMINAL
(WITH FIXED HARDWARE)**

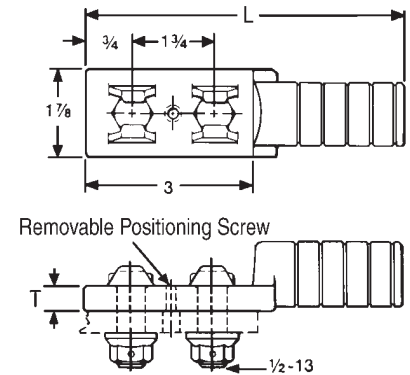
ACCOMMODATES:

AAC (STR, COMPRESSED,
COMPACT), COPPER, ACSR AND
AAAC

MATERIAL: ALUMINUM

Aluminum compression terminal with fixed hardware and positioning pin for making disconnectable tap or jumper connections. Used with slotted YTA-R-2N T-tap or YSA-R-2N terminal.

Supplied with aluminum bolts and washer-face, self locking nuts. Prefilled with PENETROX™ joint compound capped, and stripsealed to limit oxide growth and to increase the life of the connection.



Catalog Number	ACSR, 6201, 5005	Copper	Aluminum	L	T	Bolt Length	Die Index	Tools, Die Set Catalog Number, & (Number of Crimps per End)				
								MD7, MD6	Y35, Y750	Y45 †	Y46 ‡	Y60-
YKA2R-2N	2	1 (7) 2 (3, 7)	1 (7) 2 (7)	5-1/2	3/8	1-3/4	BG or 243	BG (8) W-BG (4)* W243 (4)	U-BG (3)* U243 (2)	—	—	—
YKA25R-2N	1/0	1/0 (7, 19)	1/0 (7, 19)	5-5/8			C or 659	W-C (6)	U-C (3)* U629 (2)	—	—	—
YKA26R-2N	2/0	2/0 (7, 19)	2/0 (7, 19)	6			L or 251	—	U-L (2) U251 (3)	—	—	—
YKA27R-2N	3/0 110.8 (12-7)	3/0 (7, 19)	3/0 (7, 19)					—	—	—	—	—
YKA28R-2N	4/0	4/0 (7, 19)	4/0 (7, 19)					—	—	—	—	—
YKA30R-2N	266.8 (18-1, 6-7, 26-7)	250 (12, 19, 37) 300 (19, 37)	250 (7, 37) 266 (19)	7-1/4			M or 317	—	U-M (3) U317 (4)	—	—	—
YKA321R-2N	336.4 (18-1) 300 (26-7)	350 (19, 37)	300 (37, 61) 350 (37, 61)					—	—	—	—	
YKA33R-2N	336.4 (26-7, 30-7) 397.5 (18-1)	—	397.5 (19) 400 (37)					—	—	—	—	
YKA361R-2N	397.5 (26-7, 30-7) 477 (18-1)	—	477 (19, 37) 500 (37, 61)					—	—	—	—	
YKA37R-2N	477 (24-7, 26-7, 30-7)	—	556.5 (19, 37)	7-3/8			M	—	U-M (3)	—	—	—
YKA34CA-2N	397.5 (26-7, 30-7) 477 (18-1)	500 (19, 37)	477 (19, 37) 500 (37, 61)	—	352 or 579	—	—	S352 (6) S579 (6)	P352 (6) P579 (6)	L352 (9) L579 (9)		
YKA391A-2N	—	—	795 (37, 61)	9-1/2	3/4	2-1/2	342	—	—	S342 (6) P342 (6)	L342 (9)	

* Multiple crimp die set, makes more than one crimp per tool compression. Figure indicates number of compressions.

† U Die with adapter PT-6515.
‡ U Die with adapter PUADP-1.

For faster installations use BURNDY® PATRIOT® family of battery tools.

Overhead Distribution

Compression Tap (Disconnectable)

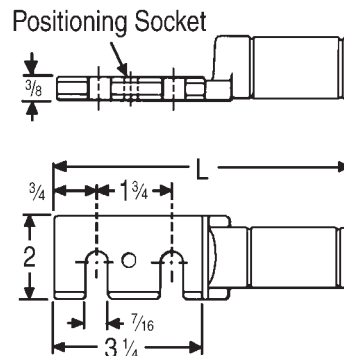
BURNDY®

TYPE YSA-R-2N

DISCONNECTABLE TERMINAL (WITH SLOTTED PAD)

ACCOMMODATES: AAC (STR, COMPRESSED, COMPACT), COPPER, ACSR AND AAAC

MATERIAL: ALUMINUM



Aluminum compression terminal with slotted pad and positioning socket for making disconnectable tap or jumper connections. Used with YKA-R-2N fixed hardware terminal. Pre-filled with PENETROX™ joint compound, stripsealed and capped to limit oxide growth and to increase the life of the connection.

Catalog Number	ACSR, 6201, 5005	Copper	Aluminum	L	Die Index	Tools, Die Set Catalog Number, & (Number of Crimps)	
						MD7, MD8	Y35, Y750, Y45 †, Y46 ‡
YSA2R-2N	2	2 (3, 7) 1 (7)	2 (7) 1 (7)	6-1/4	BG or 243	BG (8) W-BG (4)* W243 (4)	U-BG (3)* U243 (2)
YSA25R-2N	1/0	1/0 (7, 19)	1/0 (7, 19)		C or 659	—	—
YSA26R-2N	2/0	2/0 (7, 19)	2/0 (7, 19)	6-5/8	L or 251	—	U-L U251
YSA28R-2N	4/0	4/0 (7, 19)	4/0 (7, 19)				
YSA30R-2N	266.8 (18-1, 6-7, 26-7)	250 (12, 19, 37) 300 (19, 37)	250 (37) 266.8 (7, 19)	7-3/4	M or 317	—	U-M (3) U317 (4)
YSA321R-2N	336.4 (18-1) 300 (26-7)	350 (19, 37)	300 (37, 61) 350 (37, 61)				
YSA37R-2N	477 (24-7, 26-26-7, 30-7)	—	556.5 (19, 37)	7-7/8	M	—	U-M (3)

* Multiple crimp die set, makes more than one crimp per tool compression. Figure indicates number of compressions.

† U Die with adapter PT-6515.
‡ U Die with adapter PUADP-1.

For faster installations use BURNDY® PATRIOT® family of battery tools.

H-36

TYPE YTA-2N

DISCONNECTABLE T-TAP

ACCOMMODATES: COPPER

MATERIAL: COPPER

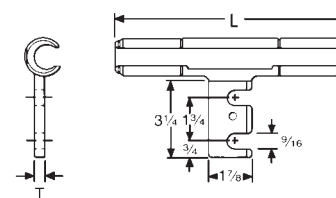


Fig. 1

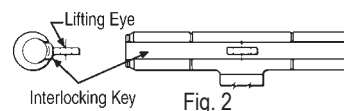


Fig. 2

Cast copper primary t-tap connector with slotted tap pad for easy disconnecting of tap conductor. Tap pad accommodates compression terminal Type YKA-2N. On sizes larger than 4/0, the YTA-2N run element has a two-piece, interlocking key with lifting eye that simplifies hot installations. Catalog number does not include terminal or hardware.

Catalog Number	Conductor	Fig. No.	C	L	T	Die Index	Tools, Die Set Catalog Number, & (Number of Crimps)		
							MD7, MD6	Y35, Y750, Y45, Y46	Y60-
YTA2C-2N	2 (7)	1	1-1/2	5-5/8	3/8	163	W163 (3) Crimps Overlap	U163 (1)*	—
YTA26-2N	2/0 (7, 19)			7-3/8		166	W166 (6)	U166 (3)	—
YTA28-2N	4/0 (7, 12, 19)			7-5/8		168	—	U168 (4)	—
YTA34-2N	500 (19, 37, 61)	2	2	11-7/8	1/2	210	—	U210 (6)	L210 (2)

* Multiple crimp die set, makes more than one crimp per tool compression. Figure indicates number of compressions.

† U Die with adapter PT-6515.
‡ U Die with adapter PUADP-1.

For faster installations use BURNDY® PATRIOT® family of battery tools.

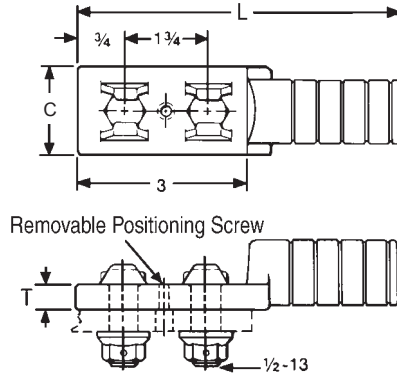
TYPE YKA-2N

**DISCONNECTABLE TERMINAL
(WITH FIXED HARDWARE)**

ACCOMMODATES: COPPER

MATERIAL: TIN PLATED COPPER

Tin-plated copper compression terminal with fixed hardware for making disconnectable tap or jumper connections. Used with slotted YTA-2N T-tap or YSA-R-2N terminal. Supplied with tin-plated DURIMUM™ bolts and washer-face nuts.



Catalog Number	Conductor	C	L	T	Die Index	Tools, Die Set Catalog Number, & (Number of Crimps)		
						MD7, MD6	Y35, Y750, Y45†, Y46‡	Y60-
YKA6C-2N	6 (7)	7/8	5	3/8	163	W163 (2) Crimps Overlap	U163 (1)*	—
YKA2C-2N	2 (7)							
YKA26-2N	2/0 (7, 19, 37)	1	5-1/4	1/4	166	W166 (4)	U166 (3)	
YKA28-2N	4/0 (7, 12, 19, 37)	1-1/4	5-3/8	3/8	168	—	U168 (3)	L168 (1)
YKA30-2N	300 (19, 37, 61)	1-1/2	5-1/2		170		U170 (5)	L170 (1)
YKA34-2N	500 (19, 37, 61)	1-7/8	6-1/2	1/2	210		U210 (6)	L210 (2)
YKA44-2N	1000 (61)	2	7-5/8	1/2	345		—	L345 (4)

* Multiple crimp die set, makes more than one crimp per tool compression. Figure indicates number of compressions.

† U Die with adapter PT-6515.

‡ U Die with adapter PUADP-1.

For faster installations use BURNDY® PATRIOT® family of battery tools.

H-37

TYPE YCB-R

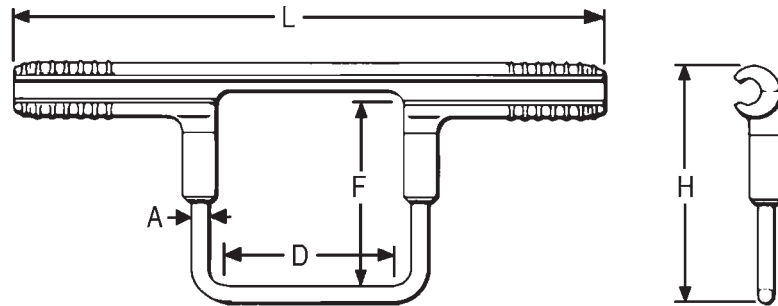
STIRRUP™ HOT-LINE CLAMP ADAPTERS



ACCOMMODATES:
AAC (STR, COMPRESSED,
COMPACT), ACSR AND AAAC

MATERIAL: ALUMINIUM,
TIN PLATED COPPER BAIL

Permanent compression hot-line clamp adapter with aluminum run and copper bail. Accommodates any standard copper hotline clamp on bail elements. Permits hot-line tapping without arcing or chafing damage to aluminum conductor. Installed with standard tools and dies. Prefilled with PENETROX™ joint compound and stripsealed to limit oxide growth and to increase the life of the connection.



H-38

Catalog Number	Aluminum	ACSR, 6201, 5005	A	H	L	D	F	Die Index	Tools, Die Set Catalog Number, & (Crimps per End)	
									MD7, MD6	Y35, Y750, Y45 †, Y46 ‡
YCB2R	2 Str. - 6 Sol.	2-4	2 Sol.	3-3/4	9	2-1/2	2-1/2	BG	BG (6) W-BG (2)*	U-BG (2)*
YCB25R	1/0 (7, 19)	1/0 - 80 (8-1)	2 Sol.	5	9-3/4	2-1/2	3-1/2	C	W-C (4)	U-C (2)*
YCB26R	2/0 (7, 19)	2/0	1/0 Sol.	5	11-1/8	3-1/2	3-1/2	L	W-L (4)	U-L (2)
YCB27R	3/0 (7, 19)	3/0	1/0 Sol.	5	11-1/8	3-1/2	3-1/2	L	W-L (4)	U-L (2)
YCB28R	4/0 (7, 19)	4/0	1/0 Sol.	5	11-1/8	3-1/2	3-1/2	L	W-L (4)	U-L (2)
YCB321R	350 (19, 37) 336.4 (19, 37)	336.4 (18-1) 300 (26-7)	1/0 Sol.	5-3/8	12-3/4	3-1/2	3-1/2	M	—	U-M (3)
YCB33R	400 (19, 37) 397.5 (19, 37)	336.4 (26-4, 30-7) 397.5 (18-1)	1/0 Sol.	5-3/8	12-3/4	3-1/2	3-1/2	M	—	U-M (3)
YCB35R	500 (37, 61) 477 (19, 37)	397.5 (26-7) (30-7)	1/0 Sol.	5-3/8	12-3/4	3-1/2	3-1/2	M	—	U-M (3)
YCB361R	477 (19, 37)	477 (18-1)	1/0 Sol.	5-1/4	13-1/4	3-1/2	3-1/2	317	—	U317 (3)

* Multiple crimp die set, makes more than one crimp per tool compression. Figure indicates number of compressions.

† U Die with adapter PT-6515.
‡ U Die with adapter PUADP-1.

For faster installations use BURNDY® PATRIOT® family of battery tools.

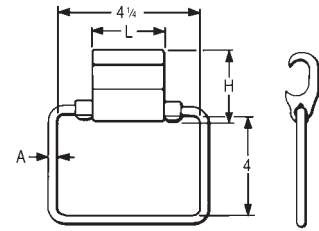
TYPES YCB-U & YCB-R-U

CRIMPIT™ STIRRUP™

ACCOMMODATES:
AAC (STR, COMPRESSED), ACSR
AND AAAC

MATERIAL: ALUMINUM

TENSION RATING:
ANSI C119.4 CLASS 3
(NON TENSION)



Combines Figure "6" -shaped aluminum CRIMPIT™ tap connector with tin-plated copper bail. Can be gripped in tool and slipped over line for easy installation. Five sizes take range from #4 to 600 kcmil. Prefilled with PENETROX™ joint

compound and Stripsealed to limit oxide growth and to increase the life of the connection.

Catalog Number	Aluminum	ACSR, 6201, 5005	A	H	L	Die Index	Tools, Die Set Catalog Number, & (Number of Crimps)			
							Y35, Y750	Y45	Y46	
YCB4U1	4 Sol. - 4 (7)	4	2 Sol.	1-1/2	1-7/8	D	U-D (2)	†	‡	
YCB1U1	2 (7) - 1 (7)	2		1-5/8						
YCB28U26	1/0 (7) - 4/0 (19)	1/0 - 4/0		2	2-1/8	H	U-H (2)	†	‡	
YCB33R26U	300 (37) - 400 (37)	266.8 (6-7) - 336.4 (30-7)	2-1/4	R						U-R (2)
YCB38R26U	397.5 (19) - 600 (61)	336.4 (26-7) - 556.5 (18-1)								

* Index number "D" is not "D3" Cabelok CRIMPIT™ die.

† U Die with adapter PT-6515
‡ U Die with adapter PUADP-1.

For faster installations use BURNDY® PATRIOT® family of battery tools.

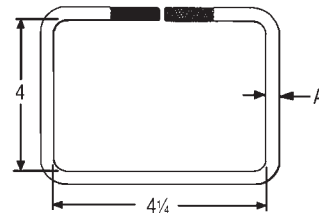
H-39

TYPES J990 & J1252

HOT-LINE CLAMP BAILS

MATERIAL: TIN PLATED COPPER

Designed to make hot-line clamp adapter using HYCRIMP™, CABELOK™ CRIMPIT™ or Figure "6" -Shaped CRIMPIT™ connectors. Where hot sticks are used, the CABELOK™ CRIMPIT™ or Figure "6" -shaped CRIMPIT™ are recommended. The line can be approached with the connector



and bail held in the tool. Bails are tin-plated, hard drawn copper.

Recommended Connector & Bail Combinations						
HYCRIMP™ Cat. No.	CABELOK™ CRIMPIT™ Cat. No.	Bail	A	Run Conductors Accommodated		
				Sol. Al	Str. Al	ACSR
YHO100	YP2U3	J990	#2	6 - 2	6 - 3 (7 Str.)	6,4
YHO150	YP26AU2			1 - 2/0	3 (3 Str.) - 1/0	3 - 1/0
YHD200	YP27AU4			3/0 - 4/0	2/0 - 3/0	1/0, 2/0
YHD250	YPC28U4			—	4/0	3/0, 4/0
YHD300	YP27AU26	J1252	2/0	3/0	2/0, 3/0	2/0
YHD350	YP28U26			—	4/0	3/0, 4/0
—	YPC28U26	J990	#2	—	1/0 (7) - 4/0	1/0 - 4/0
—	—	J1252	2/0			
YHN500	YPC33R26U	J990	#2	250 (37)	266.8 (18-1)	
		J1252	2/0	400 (37)	397.5 (18-1)	

* For additional run & tap conductors see specific connector catalog page.

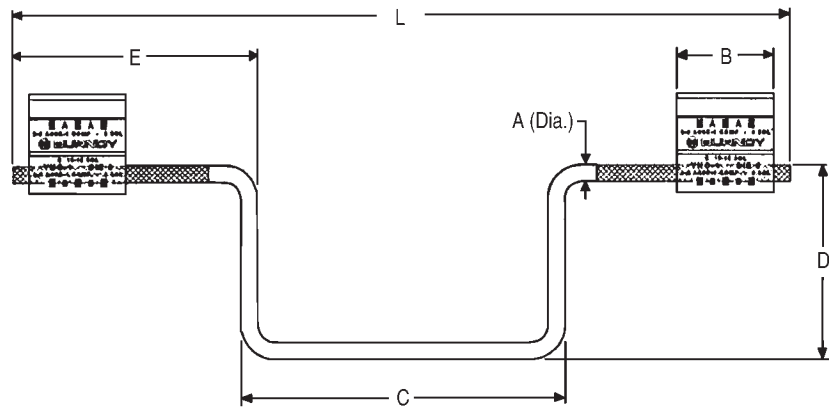
TYPES YHO-J, YHD-J, YHN-J

HYCRIMP™ STIRRUP™

ACCOMMODATES:
AAC (STR., COMPRESSED,
COMPACT) AND ACSR

MATERIAL: ALUMINUM,
TIN PLATED COPPER BAIL

Utilizing H-Framed Aluminum Tap Connectors with tin-plated copper bail. Bendable tabs secure run and bail freeing the lineman's hands to work with the installation tool conductor grooves. Prefilled with PENETROX™ joint compound and stripsealed to limit oxide growth and to increase the life of the connection.



H-40

Catalog Number	Run Conductor Accommodates			A	B	C	D	E	L	Die Index	Tools, Die Set Catalog Number, & (# of Crimps)	
	Sol. Al	Str. Al	ACSR								① MD7-8 MD6-8	Y35, Y750, Y45 †, Y46 ‡
YHO100J1444	6-1	6-1 (7 Str.)	6-2	2 Sol. (0.258)	1.50	5.00	3.00	3.75	12.00	O	(4)	U-O (2)
YHO150J1444	1 - 2/0	3 - 2/0	3 - 1/0		1.75	5.00	3.00	3.75	12.00	O	(5)	U-O (2)
YHD200J1444	3/0 - 4/0	2/0 - 3/0	1/0 - 2/0		1.88	5.00	3.00	3.75	12.00	D3	(5)	UD-3 (2)
YHD250J1444	250 - 300	4/0	3/0 - 4/0		1.88	5.00	3.00	3.75	12.00	D3	(5)	UD-3 (2)
YHD300J1496	2/0 - 4/0	#1 - 3/0	#1 - 2/0	2/0 Sol. (0.365)	1.88	5.00	4.75	5.62	15.50	D3	(5)	UD-3 (2)
YHD350J1496	250 - 300	3/0 - 4/0	3/0 - 4/0		2.50	5.00	4.75	5.62	15.50	D3	(7)	UD-3 (2)
YHN500J1496	—	4/0 - 500	4/0 - 477 (18/1)		2.00	5.00	4.75	5.62	15.50	N	—	U-N (2)

① Permanent dies in tool install all sizes.

† U Die with adapter PT-6515

‡ U Die with adapter PUADP-1.

For faster installations use BURNDY® PATRIOT® family of battery tools.

**TRANSFORMER AND
EQUIPMENT TAP
CONNECTORS**

Transformer and equipment tap connectors are specifically designed to provide single or multi-tap connections from secondary transformer outlets, disconnects, circuit breaker panels, and other equipment pads or bar.

TYPE E-C-G

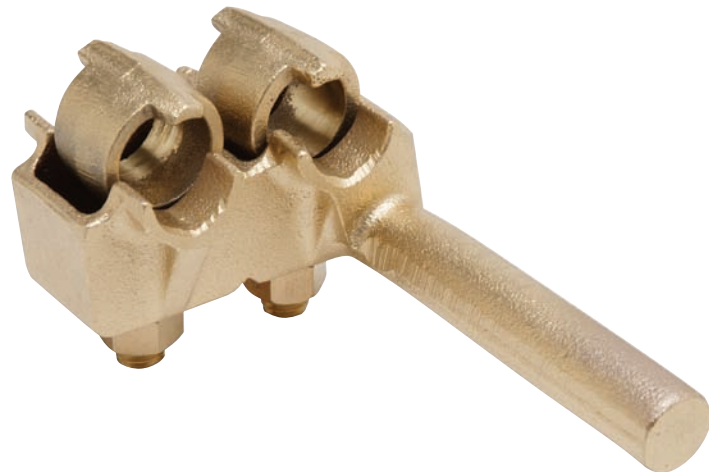
TRANSFORMER TAP ADAPTER

ACCOMMODATES: COPPER

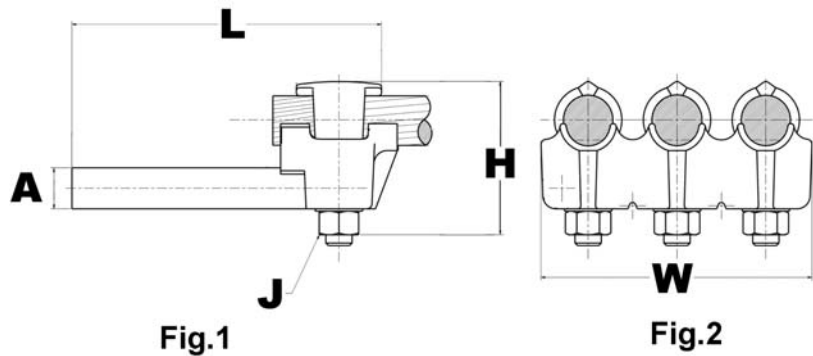
MATERIAL: COPPER

TENSION RATING:
ANSI C119.4 CLASS 3
(NON TENSION)

Multi-tap, range-taking cast copper alloy connector designed to take 2, 3 or 4 conductors from a single secondary transformer outlet.



H-41



Catalog Number	Number of Conductors	Conductor Size	A dia.	D	H	J	L	W
E2C34G1	2	1/0 -500 kcmil	0.78	3-3/4	3-7/8	1/2 - 13	6 - 1/4	3-1/2
E3C34G1	3							5-1/4
E4C34G1	4							6-7/8

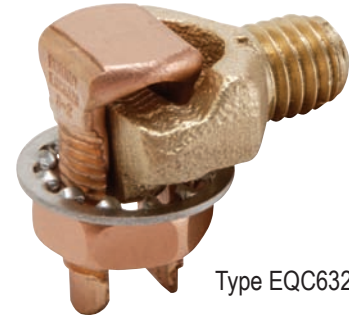
TYPES KC22J12T13, EQC632C

TRANSFORMER GROUND CONNECTORS

ACCOMMODATES: COPPER

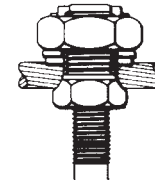
MATERIAL: COPPER

Fits all standard EEI-NEMA distribution transformers as tank grounding terminal.



Type EQC632C

TYPE KC	Ranges
KC22J12T13	8 Sol. - 2 Sol.
KC26	2 Sol. - 2/0 Str.
KC34J12T13	3/0 - 500 Str.
EQC632C	8 Sol. - 2 Str.



Type KC22B2

1/2-13
stud size

Both, one-wrench installation.

H-42

TYPE YA-2LH

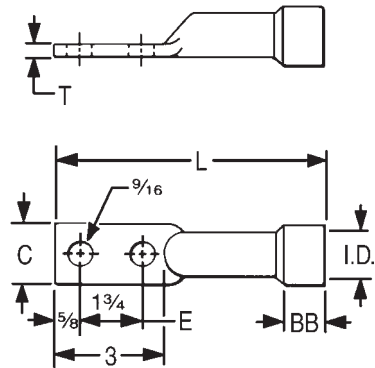
HYSEALUG™

ACCOMMODATES: COPPER

MATERIAL: COPPER

Tin-plated, pure copper 2-hole NEMA compression terminal with shrouded barrel for terminating insulated copper conductor to transformers and other equipment. Shroud prevents seepage of

water or moisture into conductor strands and minimizes taping.



Catalog Number	Conductor	BB	Shroud Inside Diameter	C	L	T	Tools, Die Set Catalog Number, & (Number of Crimps)	
							MD7, MD6	Y35, Y750, Y45 †, Y46 ‡
YAB4C-2LH72	4 Str.	5/8	0.57	3/4	6-1/4	1/8	W161 (2)	U4CRT (2)
YAB2C-2LH74	2 Str.	3/4	0.58		6-1/2		W162 (4)	U2CRT (2)
YAB2C2LH75			0.91					
YAB25-2LH70	1/0 Str.	1	0.69	7/8	6-3/4	3/8	W163 (4)	U25RT (2)
YAB25-2LH71			0.98		6-1/4		W241 (2)	U26RT (2)
YA26-2LH89	2/0 Str.		1.04		6-5/8		W-BG or W243 (2)	U28RT (2)
YA28-2LH114	4/0 Str.		0.86	1	7	1/8	W166 (4)	U29RT (2)
YA28-2LH115			1.24					
YA29-2LH91	250		1-1/4	1.25	1-1/8	7-5/8	1/8	—
YA30-2LH85	300	0.92		1-1/4	—			U31RT (2)
YA31-2LH90	350	1.40		1-3/8	W-0 (5)			
YA34-2LH110	500	1-1/2	1.14	1-1/2	7-3/4	1/4	—	U34RT (2)
YA34-2LH111			1.88				—	

† U Die with adapter PT-6515

‡ U Die with adapter PUADP-1.

TYPE YE-LH

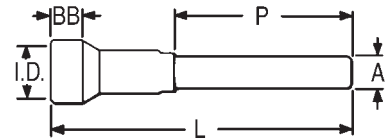
HYSEALPLUG™

ACCOMMODATES: COPPER

MATERIAL: COPPER

TENSION RATING:
ANSI C119.4 CLASS 3
(NON TENSION)

Oil and water-tight terminal with shrouded, tin-plated, copper barrel and brazed plug. Recommended for terminating insulated copper conductor at cutout, transformer and arrestor; or for joining insulated copper riser to overhead conductor. Shroud prevents seepage of water or moisture into conductor strands and minimizes taping. To obtain a tight fit on some insulations in the shroud it may be necessary to either "pencil" the insulation down, or build it up with tape.



Catalog Number	Conductor	BB	Shroud Inside Dia.	A Dia.	L	P	Tools, Die Set Catalog Number, & (# of Crimps)	
							MD6, MD7	Y35, Y750, Y45 †, Y46 ‡
YE2C-LH128	2 Str.	3/4	0.58	2 Sol.	9	6	W162 (4)	U2CRT (2)
YE2C-LH129			0.91					
YE25-LH97	1/0 Str.	1	0.98	1/0 Sol.	11-1/8	8	W163 (4)	U25RT (2)
YE26-LH88	2/0 Str.		0.73	2/0 Sol.	11-3/8		W241 (2)	U26RT (2)
YE26-LH89			1.04				W241 (2)	
YE28-LH128	4/0 Str.		1.24	11-1/2	W-BG or W243 (2)		U28RT (2)	
YE31-LH96	350	1-1/4	1.03	4/0 Sol.	12-1/4	—	W-O (5)	U31RT (2)
YE34-LH119	500	1-1/2	1.14	13-1/4	—		U34RT (2)	
YE34-LH120			1.88					

† U Die with adapter PT-6515.
‡ U Die with adapter PUADP-1.

For faster installations use BURNDY® PATRIOT® family of battery tools.

H-43

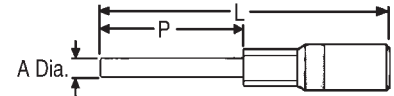
TYPES YE-R, YE-W

HYPLUG™

ACCOMMODATES: AAC (STR, COMPRESSED), ACSR AND AAAC

MATERIAL: ALUMINUM

TENSION RATING:
ANSI C119.4 CLASS 3
(NON TENSION)



In 1989 BURNDY® began shipping an improved pin type connector. A proprietary coating system was developed through intense research efforts which vastly prolongs the life of this type of connection. To help identify the new product, a hex shaped crimp is now used on the pin interface crimp and overhead color coded end caps are utilized.

Aluminum HYPLUG™ with tin-plated copper plug for terminating aluminum or ACSR cable at cut-out, transformer and arrestor. Plug may be bent to desired angle for easier insertion. Three die sets accommodate 4 Str.-500 kcmil. Terminals are pre-filled with PENETROX™ A-13 joint compound and sealed with color coded end caps.

Catalog Number	Conductor		A Dia.	L	P	Color Code	Die Index	Tools, Die Set Catalog Number, & (# of Crimps)		
	Aluminum	ACSR						MD7, MD6	Y35, Y750, Y45 †, Y46 ‡	Y60-
YE6R-25	5, 6 Str.	6	4 Sol.	4-5/8	2-1/2	Blue	K-5/8-1, 243, BG, 8A	BG WBG W243	U-BG	L243
YE4R-25	3, 4 Str.	4				Orange				
YE1WAG1	#1 Sol. (.289)	—	0.25	8.58 (218)	6	Red	K-5/8-1, 243, BG	U243 UK5/8-1T	L249	
YE2WAG5	#2 Sol. (.258)	—				Orange				
YE2R-25	1, 2 Str.	2	2 Sol.	4-5/8	2-1/2	Red	K-5/8-1, 243, BG, 8A	W249 or W-K840	U249 U-K840T	L249
YE25R-25	1/0 Str.	1/0				Yellow				
YE26R-60	2/0 Str.	2/0	1/0 Sol.	9-1/2	6	Gray	249 840 11A	—	U317 U705 U-K1-18-1T	L317
YE27R-60	3/0 Str.	3/0				Black				
YE28R-60	4/0 Str.	4/0	4/0 Sol.	10-5/8	6	Pink	317,705, K-1-1/8-1	—	U608	L608
YE30R-60	300	266.8 (26/7) (18/1)				Blue				
YE32R-60	350-400	336.4 (26/7) (18/1)	9/16	11-7/8	6	Green	608	—	—	—
YE361R-60	477, 500	477 (18/1)				Pink				
YE39R-60	600	556.5 (24/7) (26/7)	5/8	11-7/8	6	Yellow	608	—	U608	L608

* All crimps overlap
† U Die with adapter PT-6515.
‡ U Die with adapter PUADP-1.

BURNDY® furnishes many special versions of YE-R including: pin length variations, factory applied pin angles, etc. Contact your BURNDY® representative for

your special needs. For faster installations use BURNDY® PATRIOT® family of battery tools.

COMPRESSION SPLICES
TABLE OF CONTENTS

COMPRESSION SPLICES	H-45	FULL TENSION	
SERVICE ENTRANCE		Types YDS, YDS-C	H-57
Type ES	H-46	Types YDS-A, YDS-AT	H-58
Type YSU	H-47	Types YDS-RL, YDS-LT	H-59, H-60
Type YSD	H-48	Types YDS-A, YDS-AT	H-60
		Type YDS-RLY	H-61
NEUTRAL		Types YDS-R Set, YDS-RP1, YDS-RP2	H-62, H-63
H-44 Types YSS, YCS-R, YDS-AT	H-49	Types YDS-R, YDS-RE	H-64
		Types YDS-E, YDS-H	H-64
JUMPER		Type YDSR-RL	H-65
Types YCS, YDS, YCU-A	H-50	Type YDR-R	H-66
Type YCS-R	H-51	Type YDS-K	H-67
Type YCS-RL	H-52	Type YTS-E	H-67
Types YCS-A, YCR	H-53	TypeS YDS-KT, YDS-F	H-68
Type YCR-R-G	H-53	Type YDS-M-T	H-68
Types YDS, YCS	H-54		
REPAIR SLEEVE			
Types YCU-R, YOU-R	H-55		
Type YCU-R (Static Wire)	H-55		
Types YDS-W, YDS	H-56		

COMPRESSION SPLICES

The BURNDY line of service, full-tension, and jumper sleeves provide a dependable, economical, and easy-to-install method of splicing overhead transmission and distribution lines.

A major part of the Total BURNDY® Compression Program, they are available for copper, aluminum, ACSR, COPPERWELD, ALUMOWELD, Steel, 6201, 5005, ACSR/AW, AWA, and compressed forms for aluminum and ACSR. Each is clearly marked with the installation Die Index number and knurls are provided which show the installer the correct number of crimps and the spacing required. Connections made with BURNDY® INSULINK™ and HYSPLICE™ sleeves have a lower resistance than an equal length of conductor.

HYSPLICE™ sleeves are tapered or chamfered at the ends; externally to provide gradual reduction of pressure on the conductor, and internally to facilitate conductor insertion.

Service Sleeve Design

Service entrance connectors are available insulated (INSULINK™) or uninsulated (LINKIT™). Both are installed with the one-hand OH25 and OUR840 HYTOOL™ or the MD6 HYTOOL™. The INSULINK™ features polyethylene caps which seal out dirt and moisture, and grip the cable insulation leaving both hands free for crimping. The aluminum insert is anchored to the nylon jacket so that it will not move when crimped, ensuring that the insert is always under the die. The jacket is color coded for easy identification of conductor size.

The aluminum LINKIT™ minimizes the effects of galvanic corrosion. It is designed for easy location of crimps, and is color coded.

The service HYSPLICE™ connectors are partial-tension sleeves for splicing the neutral conductor of triplex service. They are installed with MD6, OUR840 and the OH25 HYTOOL™ on aluminum and ACSR conductors from #6 to 1/0.

Copper HYSPLICE™ Sleeve Design

Full-tension holding strength and high conductivity of BURNDY® copper HYSPLICE™ sleeves are accomplished through the combined action of correct contact length, proper number of circular crimps of precisely controlled depth that perform a current carrying and keying function between the conductor and the sleeve.

Aluminum HYSPLICE™ Sleeve Design

HYSPLICE™ sleeves for aluminum conductor not only satisfy the basic tension requirements, but also deal with the problems of “cold flow” of aluminum and the oxide film which forms on the strands. “Cold flow” is compensated for by carefully coordinating the design of the sleeve and its associated installation die. To offset the effects of the non-conductive oxide film present on the surfaces of aluminum cable, BURNDY® HYSPLICE™ sleeves are pre-filled with PENETROX™ joint compound and capped or stripsealed. A solid center barrier forces the PENETROX™ around the cable strands during insertion.

ACSR HYSPLICE™ Sleeve Design

Two-Piece, Full-tension HYSPLICE™

Two-piece, full-tension HYSPLICE™ for ACSR consists of an inner steel sleeve for joining the steel core, and an outer aluminum sleeve for connecting the aluminum strands. To install the two-piece HYSPLICE™, the cable is cut, the aluminum sleeve slid onto the cable, aluminum strands cut back and the steel sleeve installed. The aluminum sleeve is then centered over the steel sleeve, PENETROX™ joint compound injected (PENETROX™ is brushed on cable prior to centering aluminum sleeve on smaller sizes), and the sleeve is crimped.

Single-sleeve, Full-tension UNISPLICE™

The UNISPLICE™ is as easy to install as aluminum full-tension sleeves. The single, heavy walled aluminum sleeve is filled with a special inhibiting compound containing grit particles which key the steel strand in place. The UNISPLICE™ eliminates cutting back of aluminum strands, the need for a separate steel sleeve, and careful position of the aluminum outer sleeve before crimping.

Since the standard pull-out tests are inadequate for evaluating UNISPLICE™ performance, BURNDY® has developed the sustained-tension test that subjects a connector-conductor assembly to a 168 hour sustained load equal to 90% of the conductor strength. This test simulates a service life of 30-40 years at 60% of the conductor strength.

Jumper Sleeves

Since the holding strength required for jumper sleeves is less than that required for full-tension sleeves, the jumper HYSPLICE™ sleeve is shorter. Aluminum, ACSR, sleeves are pre-filled with PENETROX™ joint compound and installed with the same tools and dies as the full-tension sleeves.

Overhead Distribution

Compression Splices - Service Entrance

BURNDY®

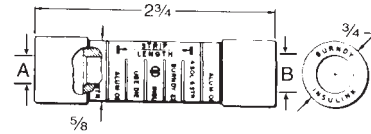
TYPE ES

INSULINK™

ACCOMMODATES:
AAC (STR, COMPRESSED, COMPACT**), COPPER, ACSR, AND AAAC



RUS Accepted



MATERIAL: ALUMINIUM
(INSULATED)

Pre-insulated service entrance compression connector installed with OH25, OUR840 and MD6 HYTOOL™ as well as Y35 and Y750 HYPRESS™ tools. Polyethylene caps prevent dirt from accumulating in barrel, grip cable for easy two-hand installation, and seal out moisture. Aluminum

connector is anchored to jacket, assuring the connector is under the die when crimping. Nylon jacket insulates connector electrically and protects against water and weather. Superior color coding. Pre-filled with PENETROX™ joint compound and stripsealed to limit oxidation and to increase the life of the connection. Do not use insulated sealed

connectors on bare conductors. Refer to LINKIT™ type connectors.

- Not for use on bare conductors.
- ▲ Accommodates 1/0 stranded aluminum and copper, concentric, compressed and compact conductors.
- ** Accommodates compact conductors where stated in the table.
- * For faster installations use BURNDY® PATRIOT® family of battery tools.

H-46

Catalog Number	Side A ■			Side B ■			Die Index	Installation Tooling* (# of Crimps per End)			
	ACSR, 6201, 5005	Aluminum & Copper	Color Code	ACSR, 6201, 5005	Aluminum & Copper	Color Code		Dieless OH25	MD6/MD7 Series	OUR840	Y35/Y750 Series
ES8W8W	—	10 Str. 8 Sol.	Brown	—	10 Str. 8 Sol.	Brown	BG or 5/8	(1)	WBG (1)*	XNBG (1)*	UBG (1)*
ES6W8W		8 Str. 6 Sol.	Green	—	8 Str. 6 Sol.	Green					
ES6W6W		#8 AL Compt		—	#8 AL Compt	Green					
ES4W8W	6	5, 6 Str. 4 Sol.	Blue	—	10 Str. 8 Sol.	Brown					
ES4W6W				—	8 Str. 6 Sol.	Green					
ES4W4W				6	5, 6 Str. 4 Sol.	Blue					
ES2W8W	4	3, 4 Str. 2 Sol.	Orange	—	10 Str. 8 Sol.	Brown					
ES2W6W				—	8 Str. 6 Sol.	Green					
ES2W4W				6	5, 6 Str. 4 Sol.	Blue					
ES2W2W				4	3, 4 Str. 2 Sol.	Orange					
ES2R8W	2	1 Str. 2 Str. #1 AL Compt #2 AL Compt	Red	—	10 Str. 8 Sol.	Brown					
ES2R6W				—	8 Str. 6 Sol.	Green					
ES2R4W				6	5, 6 Str. 4 Sol.	Blue					
ES2R2W				4	3, 4 Str. 2 Sol.	Orange					
ES2R2R				2	1 Str. 2 Str. #1 AL Compt #2 AL Compt	Red					
ES25R6W	1/0, 1	1/0 Str. 1-19 Str.	Yellow	—	8 Str. 6 Sol.	Green					
ES25R4W				6	5, 6 Str. 4 Sol.	Blue					
ES25R2W				4	3, 4 Str. 2 Sol.	Orange					
ES25R2R				2	2 Str. 1 Str. #1 AL Compt #2 AL Compt	Red					
ES25R25R				1/0, 1	1/0 Str.	Yellow					
ES25A25A	—	1/0 Str. ▲	Yellow	—	1/0 Str.	Yellow					
ES25A4W	—			6	5, 6 Str. 4 Sol.	Blue					
ES25A2W	—			4	3, 4 Str. 2 Sol.	Orange					

TYPE YSU

5/8" LINKIT™

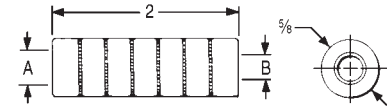
ACCOMMODATES:

AAC (STR, COMPRESSED, COMPACT**), COPPER, ACSR, AND AAAC

**MATERIAL: ALUMINIUM
(UNINSULATED)**



RUS Accepted



Heavy-walled aluminum tubing with solid barrier minimizes galvanic corrosion of conductors. Accommodates neutral strands of Type SE Service Entrance conductor as well as other

conductors. Installed with standard tooling. Color Coded. Pre-filled with PENE TROX™ joint compound and Stripsealed to limit oxidation and to increase the life of the connection.

▲ Accommodates 1/0 standard aluminum and copper concentric, compressed and compact conductors.

** Accommodates compact conductors where stated in the table.

* For faster installations use BURNDY® PATRIOT® family of battery tools.

Catalog Number	Side A			Side B			Die Index	Installation Tooling* (# of Crimps per End)			
	ACSR, 6201, 5005	Aluminum & Copper	Color Code	ACSR, 6201, 5005	Aluminum & Copper	Color Code		Dieless OH25	MD6/MD7 Series	OUR840	Y35/Y750 Series
YSU6W6W	—	8 Str. 6 Sol. #8 Al Compt	Green	—	8 Str. 6 Sol. #8 Al Compt	Green	243 BG or 5/8	(1)	WBG (1)*	XNBG (1)*	UBG (1)*
YSU4W8W	6	5, 6 Str. 4 Sol. #4 Al Compt	Blue	—	8 Sol. 10 Str.	Brown					
YSU4W6W				—	6 Sol. 8 Str. #8 Al Compt	Green					
YSU4W4W				6	5, 6 Str. 4 Sol. #4 Al Compt	Blue					
YSU2W8W				4	3, 4 Str. 2 Sol.	Orange					
YSU2W6W	—	6 Sol. 8 Str. #8 Al Compt	Green								
YSU2W4W	6	5, 6 Str. 4 Sol. #4 Al Compt	Blue								
YSU2W2W	4	3, 4 Str. 2 Sol.	Orange								
YSU2R8W	2	2 Str. 1 Str. #1 Al Compt #2 Al Compt	Red	—	8 Sol. 10 Str.	Brown					
YSU2R6W				—	6 Sol. 8 Str. #8 Al Compt	Green					
YSU2R4W				6	5, 6 Str. 4 Sol. #4 Al Compt	Blue					
YSU2R2W				4	3, 4 Str. 2 Sol.	Orange					
YSU2R2R				2	2 Str. 1 Str. #1 Al Compt #2 Al Compt	Red					
YSU25R6W	1/0	1/0 Str. 2/0 Al Compt 1/0 Al Compt	Yellow	—	8 Str. 6 Sol. #8 Al Compt	Green					
YSU25R4W				6	5, 6 Str. 4 Sol. #4 Al Compt	Blue					
YSU25R2W				4	3, 4 Str. 2 Sol.	Orange					
YSU25R2R				2	2 Str. 1 Str. #1 Al Compt #2 Al Compt	Red					
YSU25R25R				1/0	1/0 Str. 2/0 Al Compt 1/0 Al Compt	Yellow					
YSU25A25A	1-1	1/0 Str. ▲	Yellow	1/0	1/0 Str.	Yellow					

H-47

Overhead Distribution

Compression Splices - Service Entrance

BURNDY®

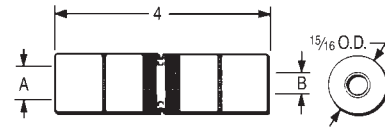
TYPE YSD

.840 LINKIT™

ACCOMMODATES:
AAC (STR, COMPRESSED,
COMPACT**), COPPER, ACSR,
AND AAAC



RUS Accepted



MATERIAL: ALUMINUM
(UNINSULATED)

Aluminum compression sleeve with solid center barrier. Designed for commercial and heavy residential services. Installed with standard tooling. Pre-filled with PENETROX™ joint compound, capped and stripsealed to limit oxidation and to increase the life of the connection.

* Multiple crimp die set, makes more than one crimp per tool compression. Figure indicates number of compressions.

** Accommodates compact conductors where stated in the table.

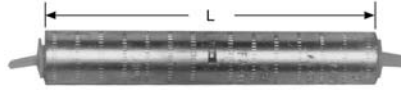
*** For faster installations use BURNDY® PATRIOT® family of battery tools.

H-48

Catalog Number	Side A			Side B			Die Index	Installation Tooling *** (Number of Crimps per End)		
	ACSR, 6201, 5005	Aluminum & Copper	Color Code	ACSR, 6201, 5005	Aluminum & Copper	Color Code		MD6/MD7 Series	OUR840	Y35/Y750* Series
YSD25R25R	1/0	1/0 Str. 2/0 AL Compt	Yellow	1/0	1/0 2/0 ALCompt	Yellow	249 K-840	WK840 (7) W249 (4)	X840 (7) X249 (8)	UK840 (4) U249 (2)
YSD26R2W	2/0	2/0 Str. 3/0 AL Compt	Gray	4	3, 4 Str. 2 Sol. #2 AL Compt	Orange				
YSD26R2R				2	2 Str. 1 Sol. 1/0 AL Compt	Red				
YSD26R25R				1/0	1/0 Str. 2/0 AL Compt	Yellow				
YSD26R26R				2/0	2/0 Str. 3/0 AL Compt	Gray				
YSD27R2W				3/0	3/0 Str. 4/0 AL Compt	Black				
YSD27R2R	2	2 Str. 1 Sol. 1/0 AL Compt	Red							
YSD27R25R	1/0	1/0 2/0 ALCompt	Yellow							
YSD27R26R	2/0	2/0 Str. 3/0 AL Compt	Gray							
YSD27R27R	3/0	3/0 Str. 4/0 AL Compt	Black							
YSD28R2W	4/0	4/0 Str. 300 AL Compt	Pink	4	3, 4 Str. 2 Sol. #2 AL Compt	Orange				
YSD28R2R				2	2 Str. 1 Sol. 1/0 AL Compt	Red				
YSD28R25R				1/0	1/0 2/0 ALCompt	Yellow				
YSD28R26R				2/0	2/0 Str. 3/0 AL Compt	Gray				
YSD28R27R				3/0	3/0 Str. 4/0 AL Compt	Black				
YSD28R28R				4/0	4/0 Str. 300 AL Compt	Pink				

TYPES YSS, YCS-R & YDS-AT

HYSPLICE™



ACCOMMODATES:

AAC (STR, COMPRESSED, COMPACT**), COPPER, ACSR AND AAAC

MATERIAL: ALUMINUM

Single aluminum sleeve designed for service drop or short span overhead distribution lines. Installed with OH25 one-hand tool, and other standard tooling. Pre-filled with PENETROX™ joint compound and color coded capped and stripsealed to limit oxidation and to increase the life of the connection.

Catalog Number	Conductor	L	Die Index	Color Code	Tools, Die Set Catalog Number*** & (Crimps per End)		OH25 Applications	
					MD7, MD6	Y35, Y750, Y45†, Y46‡	Conductor	OH25 (Indents per End)
YSS6RG2	6 ACSR 4 Sol. Al	4.00	BG	Blue	BG (6) W-BG (3)*	U-BG (3)*	—	—
YSS6R	6 ACSR 4 Sol. Al	4.72	162	Blue	W162 (4)	U162 (2)*	—	—
YDS4WA	4 Sol. Al 4 Str. Al (7)	2-5/8	162	Orange	W162 (4)	U162 (1)*	—	—
YDS4CA								
YSS4R	4 ACSR 2 Sol. Al 4 Al (7)	3.78	BG or 5/8	Orange	BG (6) W-BG (3)*	U-BG (3)*	4 7 Al (3) 4 5005 Al (2) 4 5005 Al (3) 4 (6-1) ACSR (3) 4 (6-1) ACSR (2) 4 (7-1) ACSR (3) 4 (7-1) ACSR (2) 2 Sol. Al (3) 2 Sol. Al (2)	
YSS2R	2 ACSR 2 Al (7)	3.78	BG or 5/8	Red	BG (6) W-BG (3)*	U-BG (3)*	2 (6-1) ACSR (3) 2 (7-1) ACSR (3) 2 (7-1) ACSR (2) 2 7 Al (3)	
YDS25AT	1/0 (7)	7-1/4	243	Yellow	W243(6)	U243(3)	1/0 7 Al	(4)
YCS25R	1/0 ACSR	7.09	243	Yellow	BG (12) W-BG (6)*	U-BG (6)*	1/0 (6-1) ACSR 1/0 (6-1) ACSR	(2) (3)

H-49

* Multiple crimp die set; makes more than one crimp per tool compression. Figure indicates number of compressions.

** Accommodates compact conductors where stated in the table.
 † U Die with adapter PT-6515
 ‡ U Die with adapter PUADP-1.

*** For faster installations use BURNDY® PATRIOT® family of battery tools.

Overhead Distribution

Compression Splices - Single Sleeve Jumper Normal Tension

BURNDY®

TYPES YCS & YDS

HYSPLICE™

ACCOMMODATES: COPPER



MATERIAL: COPPER

TENSION RATING:
ANSI C119.4 CLASS 1A
(NORMAL TENSION)

Loop HYSPLICE™ connector designed to withstand jumper loop tensile and vibration stresses up to 60% RBS. Made of pure copper tubing. Installed with standard HYSPLICE™ tools and dies.

Catalog Number	Conductor	L	Die Index	Tools, Die Set Catalog Number, & (Crimps per End)		
				MD7, MD6	Y35, Y750, Y45†, Y46‡	Y60-
YDS8W	8 Sol.	1-5/8	171	W171 (1)	U171 (1)*	—
YDS6W	6 Sol.	2-5/8	161	W161 (2)	U161 (1)*	—
YDS4W	4 Sol.	2-1/2	162	W162 (4)	U162 (1)*	—
YDS2W	2 Sol.	3-3/4	163	W163 (6)	U163 (2)*	—
YDS6C	6 (7)	2-3/4	161	W161 (2)	U161 (1)*	—
YDS4C	4 (7)	2-5/8	162	W162 (4)	U162 (1)*	—
YDS2C	2 (7), 3 (3)	3-5/8	163	W163 (6)	U163 (2)*	—
YDS1C	1 (7, 19)	3-1/8	164	W164 (6)	U164 (3)*	—
YCS25	1/0 (7, 19)	3-3/8	165	W165 (3)	U165 (3)	—
YCS26	2/0 (7, 11, 12, 19)	3-3/8	166	W166 (6)	U166 (3)	—
YCS27	3/0 (7, 19)	3-1/4	167	—	U167 (3)	—
YCS28	4/0 (7, 12, 19)	3-1/8	168	—	U168 (3)	L168 (1)
YCS29	250 (7, 37, 19)	3-5/8	169	—	U169 (4)	L169 (2)
YCS30	300 (19, 37)	5-3/8	170	—	U170 (4)	L170 (1)
YCS31	350 (12, 19, 37)	5-3/8	267	—	U267 (6)	L267 (2)
YCS32	400 (19, 37)	5-3/4	209	—	U209 (6)	L209 (2)
YCS34	500 (19, 37)	5-1/8	210	—	U210 (6)	L210 (2)
YCS39	750 (37)	6-7/8	627	—	—	L627 (3)
YCS44	1000 (61, 37)	7-3/4	345	—	—	L345 (4)

RUS Accepted.

H-50

* Multiple crimp die set; makes more than one crimp per tool compression. Figure indicates number of compressions.
† U Die with adapter PT-6515.
‡ U Die with adapter PUADP-1.
For faster installations use BURNDY® PATRIOT® family of battery tools.

TYPE YCU-A

REPAIR SLEEVE

ACCOMMODATES: AAC (STR, COMPRESSED, COMPACT)

MATERIAL: ALUMINUM



For restoring conductivity to damaged conductors. Made of cast aluminum. Use same die as equivalent full-tension sleeve. Use of PENETROX™ joint compound required.

* Multiple crimp die set; makes more than one crimp per tool compression. Figure indicates number of compressions.
† U Die with adapter PT-6515.
‡ U Die with adapter PUADP-1.
For faster installations use BURNDY® PATRIOT® family of battery tools.

Catalog Number	Conductor	L	Die Index	Tools, Die Set Catalog Number, & (Number of Crimps)				
				MD7, MD6	Y35, Y750	Y45	Y46	Y60-
YCU2CA	2 (7)	7-5/8	163	W163 (27)	U163 (9)*	†	‡	—
YCU25A	1/0 (7)	8-3/4	243	W243 (20)	U243 (10)	†	‡	—
YCU28A	4/0 (7, 19)	11-7/8	249	W249 (28)	U249 (14)	†	‡	L249 (7)
YCU291A	266.8 (7)	11-5/8	251	—	U251 (20)	†	‡	L251 (10)
YCU301A	336.4 (19,37)	11-5/8	321	—	U321 (20)	†	‡	L231 (10)

TYPE YCS-R

HYSPLICE™

ACCOMMODATES:

AAC (STR, COMPRESSED), ACSR
AND AAAC



MATERIAL: ALUMINUM

TENSION RATING:

ANSI C119.4 CLASS 2
(PARTIAL TENSION)

RUS Accepted

HYSPLICE™ sleeve designed to withstand jumper loop tensile and vibration stresses. Made of aluminum with staked-in cable stop. Installed with same die as equivalent full tension sleeves.

Pre-filled with PENETROX™ joint compound, stripsealed and capped to limit oxide growth and to increase the life of the connection.

Catalog Number	Conductor		L	Die Index	Tools, Die Set Catalog Number, & (Crimps per End)				
	ACSR, 6201, 5005	All Aluminum			MD7, MD6	Y35, Y750	Y45	Y46	Y60-
YCS4R	4	4 (7)	5	237	W237 (4)	U237 (2)	†	‡	—
YCS2R	2	2 (7)	5	239	W239 (4)	U239 (2)	†	‡	—
YCS25R	1/0	1/0 (7, 19)	7-1/8	243	W-BG (5) W243 (7)	U-BG (6)* U243 (4)	†	‡	—
YCS26R	2/0	2/0 (7, 19)	7	245	W245 (8)	U245 (4)	†	‡	—
YCS27R	3/0 110.8 (12-7)	3/0 (7, 19)	5-3/4	247	W247 (6)	U247 (3)	†	‡	—
YCS28R	4/0	4/0 (7, 19)	5-3/4	249	W249 (6)	U249 (3)	†	‡	L249 (2)
YCS30R	266.8 (6/7, 18-1, 26/7)	266.8	6-1/2	251	W251 (12)	U251 (6)	†	‡	L251 (3)
YCS321R	336.4 (18-1) 300	336.4 (19)	6-1/2	490	—	U490 (5)	†	‡	L490 (2)
YCS33R	336.4 (26-7, 30-7)	397.5 (19)	8-3/4	316	—	U316 (6)	†	‡	L316 (2)
YCS35R	397.5 (18-1, 26-7, 30-7)	477 (19, 37) 500 (37, 61)	8-7/8	317	—	U317 (6)	†	‡	L317 (2)
YCS361R	477 (18-1)	500 (37, 61)	8-1/4	327	—	U327 (6)	†	‡	L327 (2)
YCS37R	477 (24-7, 26-7, 30-7) 556.5 (18-1)	556.5 (19, 37)	8-3/4	261	—	U261 (6)	†	‡	L261 (2)
YCS39R	556.5 (24-7, 26-7)	—	10-3/4	608	—	U608 (9)	†	‡	L608 (3)
YCS43R	605 (30-19) 636 (24-7, 26-7, 30-19) 666.6 (24-7, 54-7)	795 (37)	10-5/8	292 or 319	—	—	S292 (6) S319 (6)	P292 (6) P319 (6)	L292 (3) L319 (3)
YCS453R	795 (36-1, 45-7)	—	10-5/8	292	—	—	S292 (6)	P292 (6)	L292 (3)
YCS45R	795 (26-7, 54-7)	900 (61, 91)	10-5/8	352	—	—	S352 (6)	P352 (6)	L352 (3)

† U Die with adapter PT-6515

‡ U Die with adapter PUADP-1.

For faster installations use BURNDY® PATRIOT® family of battery tools.

H-51

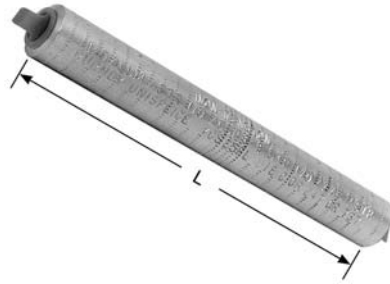
TYPE YCS-RL

UNISPLICE™

ACCOMMODATES:
AAC (STR, COMPRESSED,
COMPACT), ACSR AND AAAC

MATERIAL: ALUMINUM

TENSION RATING:
ANSI C119.4 CLASS 2
(PARTIAL TENSION)



Aluminum jumper sleeve, with cable stop, designed to be installed with same dies as equivalent full-tension UNISPLICE™. Withstands jumper loop-tensile and vibration stresses. Pre-filled with PENETROX™ joint compound, stripsealed and capped to limit oxide growth and to increase the life of the connection.

H-52

Catalog Number	Conductor †††	L	Die Index	Tools, Die Set Catalog Number, & (Crimps per End)	
				MD7, MD6	Y35, Y750, Y45†, Y46‡
YCS25RL	1/0 ACSR (6-1) 1/0 6201 (7) 1/0 5005 (7) 1/0 AAC (7)	6-1/4	C or 247 or 702	W-C (12) W702 (6)*	U247 (3)
YCS26RL	2/0 ACSR (6-1) 2/0 6201 (7) 2/0 5005 (7) 2/0 AAC (7)	5-5/8	659	—	U659 (3)
YCS28RL	4/0 ACSR (6-1) 4/0 6201 (7) 4/0 5005 (7) 4/0 AAC (7)	5-1/4	654	—	U654 (3)
YCS321RL	336.4 ACSR (18-1) 336.4 AAC (19)	5-1/4	655	—	U655 (3)
YCS341RL	397.5 AAC (19) 397.5 ACSR (18-1) 400 AAC (37, 61) 336.4 ACSR (18-1) 336.4 ACSR (26-7) 336.4 ACSR (30-7)	5-5/8	327	—	U327 (4)

* MD6 NON-BOW Dies produce straight sleeves without rotating tool.

† U Die with adapter PT-6515

‡ U Die with adapter PUADP-1.

††† Accommodates ACSR with aluminized steel core.

For faster installations use BURNDY® PATRIOT® family of battery tools.

TYPE YCS-A

HYSPLICE™



ACCOMMODATES:
AAC (STR, COMPRESSED,
COMPACT)

MATERIAL: ALUMINIUM

TENSION RATING:
ANSI C119.4 CLASS 1A
(NORMAL TENSION)

HYSPLICE™ sleeve designed to withstand jumper loop tensile and vibration stresses up to 60% RBS. Made of aluminum with staked-in cable stop. Installed with same die as equivalent full-tension sleeve. Made from electrolytic grade aluminum. Surface oxides removed at factory and sealed.

Pre-filled with PENETROX™ A joint compound, stripsealed and capped to limit oxide growth and to increase life of connection. For ACSR splices use the YCS-R or YCS-RL.

Catalog Number	Conductor	L	Die Index	Tools, Die Set Catalog Number, & (Crimps per End)				
				MD7, MD6	Y53, Y750	Y45	Y46	Y60-
YCS26A	2/0 (7)	5-1/8	245	W245 (4)	U245 (2)	†	‡	—
YCS28A	4/0 (7, 19)	4	249	W249 (4)	U249 (2)	†	‡	L249 (1)
YCS301A	336.4 (19, 37)	4-3/8	321	—	U321 (3)	†	‡	L321 (2)
YCS311A	397.5 (19)	5-5/8	468	—	U468 (4)	†	‡	—
YCS331A	477 (19, 37, 61) 500 (19, 37, 61)	6-1/4	317	—	U317 (4)	†	‡	L317 (2)
YCS351A	556.5 (19, 37)	8-3/4	261	—	U261 (6)	†	‡	L261 (2)
YCS361A	636 (37)	7-3/8	469	—	—	S469 (4)	P469 (4)	L469 (2)
YCS391A	795 (37, 61)	10-1/2	342	—	—	S342 (4)	P342 (6)	L342 (3)

† U Die with adapter PT-6515
‡ U Die with adapter PUADP-1.

For faster installations use BURNDY® PATRIOT® family of battery tools.

H-53

TYPE YCR

JUMPER SLEEVE REDUCER



ACCOMMODATES: COPPER

MATERIAL: COPPER

TENSION RATING:
ANSI C119.4 CLASS 1A
(NORMAL TENSION)

Copper sleeve designed to join different size copper conductors on transmission jumper applications. Installed with same dies as full-tension sleeves.

* Multiple crimp die set; makes more than one crimp per tool compression. Figure indicates number of compressions.
† U Die with adapter PT-6515.
‡ U Die with adapter PUADP-1.
For faster installations use BURNDY® PATRIOT® family of battery tools.

Catalog Number	Copper Conductor		L	Tool, Die Set Catalog Number, & (Crimps per End)							
				Side A				Side B			
	Side A	Side B		Die Index	MD7, MD6	Y35, Y750, Y45†, Y46‡	Y60-	Die Index	MD6	Y35, Y750, Y45†, Y46‡	Y60-
YCR2625	2/0 (7, 12, 19)	1/0 (7, 19)	3-3/8	166	W166 (6)	U166/U459	L166 (1)	165	W165 (3)	U165/U205	L165 (1)
YCR2725	3/0 (7, 19)	1/0 (7, 19)	3-1/2	167	—	U167/U568	L167 (1)	165	W165 (3)	U165/U205	L165 (1)
YCR2825	4/0 (7, 12, 19)	1/0 (7, 19)	3-3/8	168	—	U168 (3)	L168 (1)	165	W165 (3)	U165/U205	L165 (1)

Overhead Distribution

Compression Reducer - Single Sleeve Jumper Partial Tension

BURNDY®

TYPE YCR-R-G

HYSPLICE™

ACCOMMODATES:
AAC (STR, COMPRESSED),
ACSR, AAAC, COPPER



MATERIAL: ALUMINUM

TENSION RATING: ANSI
C119.4 CLASS 2
(PARTIAL TENSION)

Heavy-walled aluminum sleeve designed to connect all aluminum or ACSR to copper conductors, in all service conditions encountered in transmission and distribution. Sleeve has solid center barrier and is pre-filled with PENETROX™ joint compound, stripsealed and capped to limit oxide growth and to increase life of connection.

* Crimps overlap on both ends.
† U Die with adapter PT-6515
‡ U Die with adapter PUADP-1
For faster installations use BURNDY® PATRIOT® family of battery tools.

H-54

Catalog Number	Side A		Side B		L	O.D.	Tools, Die Set Catalog Number, & (Crimps per End)		
	ACSR, 6201, 5005	Aluminum, Copper	ACSR, 6201, 5005	Aluminum, Copper			Die Index	Y35, Y750, Y45 †, Y46 ‡	Y60-
YCR25RG6	1/0 (6-1)	1/0 (7, 12, 19)	1/0 (6-1)	1/0 (7, 12, 19)	6-3/8	1-1/16	654 or 705	U654 U705 Crimps Overlap	L654 Crimps Overlap
YCR26RG2	2/0 (6-1)	2/0 (7, 12, 19)	1/0 (6-1)	1/0 (7, 12, 19)					
YCR26RG3			2/0 (6-1)	2/0 (7, 12, 19)					
YCR27RG5	3/0 (6-1)	3/0 (7, 12, 19)	1/0 (6-1)	1/0 (7, 12, 19)					
YCR27RG6			2/0 (6-1)	2/0 (7, 12, 19)					
YCR28RG5	4/0 (6-1)	4/0 (7, 12, 19)	1/0 (6-1)	1/0 (7, 12, 19)					
YCR28RG6			2/0 (6-1)	2/0 (7, 12, 19)					
YCR28RG7			3/0 (6-1)	3/0 (7, 12, 19)					
YCR28RG8			4/0 (6-1)	4/0 (7, 12, 19)					
YCR291RG2	266.8 (18-1)	250 (19, 37) 266.8 (7, 12, 19)	2/0 (6-1)	2/0 (7, 12, 19)	7-3/8	1-1/4	317 or 705	U317 U705 Crimps Overlap	L317 Crimps Overlap
YCR291RG3			3/0 (6-1)	3/0 (7, 12, 19)					
YCR291RG4			4/0 (6-1)	4/0 (7, 12, 19)					
YCR291RG5			266.8 (18-1)	250 (19, 37) 266.8 (7, 12, 19)					
YCR30RG4	266.8 (26-7)	300 (19, 37) 366.4 (19)	1/0 (6-1)	1/0 (7, 12, 19)					
YCR30RG6			3/0 (6-1)	3/0 (7, 12, 19)					
YCR30RG7			4/0 (6-1)	4/0 (7, 12, 19)					
YCR32RG1	336.4 (18-1) (26-7)	350 (19, 37) 397.5 (19)	1/0 (6-1)	1/0 (7, 12, 19)					
YCR32RG2			2/0 (6-1)	2/0 (7, 12, 19)					
YCR32RG3			3/0 (6-1)	3/0 (7, 12, 19)					
YCR32RG4			4/0 (6-1)	4/0 (7, 12, 19)					
YCR32RG5			266.8 (18-1)	250 (19, 37) 266.8 (7, 12, 19)					
YCR32RG6			266.8 (26-7)	300 (19, 37) 366.4 (19)					
YCR32RG7			336.4 (18-1) (26-7)	350 (19, 37) 397.5 (19)					

TYPES YCU-R & YOU-R

ACCOMMODATES: ACSR (STR, COMPRESSED, COMPACT)

MATERIAL: ALUMINUM

For restoring conductivity to damaged conductors. Made of cast aluminum. Sizes up thru 266.8 are U-shaped. For 300 and larger, sleeves are

two-piece interlocking elements. Use same die as equivalent full-tension sleeve. Use of PENETROX™ joint compound required.



Catalog Number	Conductor	L	Die Index	Tools, Die Set Catalog Number & (Number of Crimps)				
				MD7, MD6	Y35, Y750	Y45	Y46	Y60-
YCU4R	4 (6-1), (7-1) 4AAC	6-1/4	237	W237 (12)	U237 (6)	†	‡	—
YCU4RG1	4 (7-1)	8-1/4	239	W239 (16)	U239 (8)	†	‡	—
YCU2R	2 (6-1, 7-1)	8-1/4	239	W239 (16)	U239 (8)	†	‡	—
YCU25R	1/0 (6-1)	8-3/4	243	W243 (20)	U243 (10)	†	‡	—
YCU26R	2/0 (6-1)	10	245	W245 (24)	U245 (12)	†	‡	—
YCU27R	3/0 (6-1)	10	247	W247 (24)	U247 (12)	†	‡	—
YCU28R	4/0 (6-1)	11-7/8	249	W249 (28)	U249 (14)	†	‡	L249 (7)
YCU30R	266.8 (6-1, 18-1, 26-7)	11-5/8	251	—	U251 (20)	†	‡	L251 (10)
YOU32R	300 (26-7)	13	316	—	U316 (21)	†	‡	L316 (7)
YCU321R	336.4 (18-1)	11-5/8	547, 655, 490	—	U490 (20)	†	‡	L490 (10)
YOU33R	336.4 (26-7, 30-7)	13	316	—	U316 (21)	†	‡	L316 (7)
YOU35R	397.5 (18-1, 26-7, 30-7)	13	317, 426	—	U317 (21)	†	‡	L317 (7)
YOU361R	477 (18-1)	12-47/50	327	—	U327 (21)	†	‡	L327 (7)
YOU37R	477 (24-7, 26-7, 30-7)	12-47/50	261, 318	—	U261 (21)	†	‡	L261 (7)
YOU39R	556.5 (24-7, 26-7)	13-3/4	608	—	U608 (24)	†	‡	L608 (8)
YOU41R	605 (24-7, 54-7)	13-3/4	292, 578, 319	—	—	S292 (24)	P292 (24)	L292 (8)
YOU43R	605 (30-19) 636 (26-7, 30-19) 666.6 (24-7, 54-7)	13-3/4	292, 319, 578	—	—	S292 (24) S319 (24)	P292 (24) P319 (24)	L292 (8) L319 (8)
YOU421R	636 (36-1)	13-3/4	292, 578	—	—	S292 (24)	P292 (24)	L292 (8)
YOU453R	715.5 (26-7) 795 (36-1)	13-3/4	292, 578	—	—	S292 (24)	P292 (24)	L292 (8) L578 (8)
YOU44R	715.5 (54-7)	13-3/4	319	—	—	S319 (24)	P319 (24)	L319 (8)
YOU45R	795 (26-7, 54-7)	13-3/4	352, 579	—	—	S352 (24) S579 (24)	P352 (24) P579 (24)	L352 (8) L579 (8)
YOU48R	900 (54-7) 954 (54-7)	14-1/4	575	—	—	—	—	L575 (10)
YOU49R	1033.5 (54-7)	14-1/4	422	—	—	—	—	L422 (10)

† U Die with adapter PT-6515.

‡ U Die with adapter PUADP-1.

For faster installations use BURNDY® PATRIOT® family of battery tools.

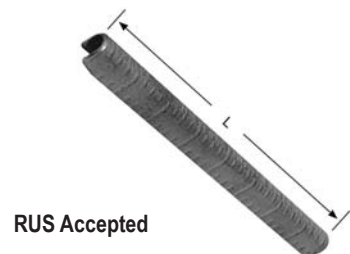
H-55

TYPE YCU-R

Repair Sleeve for ACSR “Static Wire”

HYSPlice™ sleeve designed to withstand jumper loop tensile and vibration stresses. Made of aluminum with staked-in cable stop. Installed with same die

as equivalent full tension sleeves. Pre-filled with PENETROX™ joint compound.



RUS Accepted

Catalog Number	Conductor	L	Die Index	Tools, Die Set Catalog Number & (Number of Crimps)		
				MD7, MD6	Y35, Y750, Y45†, Y46‡	Y60-
YCU27R	110.8 (12-7)	10	247	W247 (24)	U247 (12)	—
YCU28R	159 (12-7)	11-7/8	249	W249 (28)	U249 (14)	L249 (7)
YCU30R	190.8 (12-7)	11-5/8	251	—	U251 (20)	L251 (10)

† U Die with adapter PT-6515.

‡ U Die with adapter PUADP-1.

For faster installations use BURNDY® PATRIOT® family of battery tools.

Overhead Distribution

Compression Splices - Single Sleeve Full Tension

BURNDY®

TYPES YDS-W & YDS

HYSPLICE™

ACCOMMODATES: SOLID COPPER



MATERIAL: COPPER

TENSION RATING:
ANSI C119.4 CLASS 1
(FULL TENSION)

YDS-W is designed to develop full rated breaking strength of hard drawn and medium hard drawn solid copper conductor. Made of pure copper tubing. Installed with standard tooling.

RUS Accepted

H-56

Catalog Number	Solid Conductor	L	Die Index	Tools, Die Set Catalog Number, & (Crimps per End)		
				MD7, MD6	Y35, Y750, Y45†, Y46‡	Y60-
YDS8WG1	8 Sol.	1-7/8	161	W161 (1)	U161 (1)	—
YDS8W	8 Sol.	1-1/2	171	W171 (1)	U171 (1)*	—
YDS6W	6 Sol.	2-5/8	161	W161 (2)	U161 (1)*	—
YDS4W	4 Sol.	2-1/2	162	W162 (4)	U162 (1)*	—
YDS3W	3 Sol.	2-7/8	163, 308	W163 (4)	U163 (2)* U308 (2)*	—
YDS2W	2 Sol.	3-3/4	163	W163 (6)	U163 (2)*	—
YDS1W	1 Sol.	5-7/8	164	W164 (8)	U164 (4)*	—
YDS75	1/0 Sol.	6-1/4	165	W165 (6)	U165/U205 (6)	—
YDS76	2/0 Sol.	6-5/8	166	W166 (12)	U166/U459 (6)	—
YDS78	4/0 Sol.	7-7/8	168	—	U168 (9)	L168 (3)

* Multiple crimp die set; makes more than one crimp per tool compression.

Figure indicates number of compressions.

† U Die with adapter PT-6515.

‡ U Die with adapter PUADP-1.

For faster installations use BURNDY® PATRIOT® family of battery tools.

TYPES YDS & YDS-C

HYSPLICE™

ACCOMMODATES: STRANDED
COPPER



MATERIAL: COPPER

TENSION RATING:
ANSI C119.4 CLASS 1
(FULL TENSION)

Made of pure copper tubing. Designed to develop the full rated breaking strength of hard drawn or medium hard drawn copper conductor. Installed with standard tooling.

Catalog Number	Stranded Conductor	L	Die Index	Tools, Die Set Catalog Number, & (Crimps per End)		
				MD7, MD6	Y35, Y750, Y45†, Y46‡	Y60-
YDS6C	6 (7)	2-3/4	161	W161 (2)	U161 (1)*	—
YDS4C	4 (7)	2-5/8	162	W162 (4)	U162 (1)*	—
YDS3C-3	3 (3)	5-1/4	163	W163 (9)	U163 (3)*	—
YDS2C	2 (7)	3-5/8	163	W163 (6)	U163 (2)*	—
YDS2C-3	2 (3)	3-5/8	163	W163 (6)	U163 (2)*	—
YDS1C	1 (7, 19)	4-1/4	164	W164 (6)	U164 (3)*	—
YDS1C-3	1 (3)	6-1/4	459	W166 (3)	U459 (6)	—
YDS25	1/0 (7, 19)	5-3/8	165	W165 (6)	U165 / U205 (6)	—
YDS26	2/0 (7, 12, 19)	6	166	W166 (12)	U166 / U459 (6)	—
YDS27	3/0 (7, 19)	6-3/4	167	—	U167 / U568 (7)	—
YDS28	4/0 (7, 12, 19)	6-7/8	168	—	U168 (9)	L168 (3)
YDS29	250 (7, 12, 37)	7-1/2	169	—	C169 (9)	L169 (3)
YDS30	300 (19, 37)	8-1/8	170	—	U170 (13)	L170 (3)
YDS31	350 (12, 19, 37)	10-1/4	267	—	U267 (12)	L267 (4)
YDS32	400 (19, 37)	12-3/4	209	—	U209 (15)	L209 (5)
YDS34	500 (19, 37)	11-5/8	210	—	U210 (15)	L210 (5)
YDS39	750 (37)	12-3/4	627	—	—	L627 (7)
YDS44	1000 (61, 37)	15-1/4	345	—	—	L345 (10)

* Multiple crimp die set; makes more than one crimp per tool compression. Figure indicates number of compressions.
 † U Die with adapter PT-6515.
 ‡ U Die with adapter PUADP-1.
 For faster installations use BURNDY® PATRIOT® family of battery tools.

H-57

Overhead Distribution

Compression Splices - Single Sleeve Full Tension

BURNDY®

TYPES YDS-A & YDS-AT

HYSPLICE™

ACCOMMODATES: AAC (STR,
COMPRESSED, COMPACT)



MATERIAL: ALUMINUM

TENSION RATING:
ANSI C119.4 CLASS 1
(FULL TENSION)

Full-Tension HYSPLICE™ sleeve made of aluminum tubing with staked-in cable stop. Sizes 1/0 and larger tapered for gradual transition of stress. Installed with HYSPLICE™ tools and

dies. Pre-filled with PENETROX™ joint compound, stripsealed and capped to limit oxide growth and to increase the life of the connection.

H-58

Catalog Number	Conductor	L	Die Index	Tools, Die Set Catalog Number & (Number of Crimps)				
				MD7, MD6	Y35, Y750	Y45	Y46	Y60-
YDS6WA	6 (1)	3	161	W161 (2)	U161 (1)*	†	‡	—
YDS4WA	4 (1)	2-5/8	162	W162 (4)	U162 (1)*	†	‡	—
YDS2WA	2 (1)	3-7/8	163	W163 (6)	U163 (2)	†	‡	—
YDS6CA	6 (7)	3	161	W161 (2)	U161 (1)*	†	‡	—
YDS4CA	4 (7)	2-5/8	162	W162 (4)	U162 (1)*	†	‡	—
YDS2CA	2 (7)	3-7/8	163	W163 (6)	U163 (2)	†	‡	—
YDS25AT	1/0 (7)	7-1/4	BG 243	BG (12) W243 (6)	BG (6) U243 (3)	†	‡	—
YDS26AT	2/0 (7)	9-1/4	245	W245 (9)	U245 (5)	†	‡	—
YDS27AT	3/0 (7,19)	7-1/4	247	W247 (8)	U247 (4)	†	‡	L247 (3)
YDS28AT	4/0 (7, 19)	10-1/2	249	W249 (12)	U249 (6)	†	‡	L249 (3)
YDS29AT	250 (19)	7-1/2	616	—	U616 (6)	†	‡	—
YDS291AT	266.8 (7,19)	8-5/8	251	—	U251 (7)	†	‡	L251 (4)
YDS301AT	336.4 (19, 37)	9-7/8	321	—	U321 (8)	†	‡	L321 (4)
YDS31AT	350 (19)	11	490	—	U490 (9)	†	‡	L490 (3)
YDS311AT	397.5 (19)	12-1/4	468	—	468 (10)	†	‡	—
YDS331AT	477 (19)	12-3/4	317	—	U317 (9)	†	‡	L317 (3)
YDS351AT	556.5 (19, 37)	12-3/4	261	—	U261 (9)	†	‡	L261 (3)
YDS361AT	636 (37)	13-1/2	469	—	—	S469 (8)	P469 (8)	L469 (4)
YDS391AT	795 (37), 800 (61)	13-5/8	342	—	—	S342 (8)	P342 (8)	L342 (4)
YDS431AT	954 (37, 61)	17-5/8	352	—	—	S352 (10)	P352 (10)	L352 (5)

* Multiple crimp die set; makes more than one crimp per tool compression.

Figure indicates number of compressions.

† U Die with adapter PT-6515.

‡ U Die with adapter PUADP-1.

For faster installations use BURNDY® PATRIOT® family of battery tools.

US: 1-800-346-4175

www.burndy.com

Canada: 1-800-387-6487

TYPES YDS-RL & YDS-LT

UNISPLICE™

ACCOMMODATES: AAC (STR, COMPRESSED), ACSR AND AAAC

MATERIAL: ALUMINUM

TENSION RATING:
ANSI C119.4 CLASS 1
(FULL TENSION)

RUS Accepted



Single-sleeve aluminum UNISPLICE™ designed to splice ACSR as simply as all aluminum. Pre-filled with PENETROX™ joint compound, stripsealed and capped to limit oxide growth and to increase the life of the connection. Eliminates strand stripping, installing separate steel sleeve

and filling with joint compound. Ends ACSR joint failure due to faulty positioning of sleeve and lack of joint compound. Simplifies hot-line splicing. Electrical and mechanical performance equal to two-piece sleeves.

Catalog Number	Conductor †††	L	Die Index	Tools, Die Set Catalog Number, & (Crimps per End)		
				MD7, MD6	Y35, Y750, Y45†, Y46‡	Y60-
YDS4RL	4 ACSR (7-1) 4 ACSR (6-1) 4 6201 (7) 4 5005 (7) 4 AAC (7)	11-7/8	BG, or 243, or 687	BG (24) W-BG (11)* W243 (9) W687 (11)**	U-BG (9)* U243 (6)	L243 (3)
YDS2RL	2 ACSR (6-1) (7-1) 2 6201 (7) 2 5005 (7) 2 AAC (7)	10-1/4	BG, or 243, or 687	BG (20) W-BG (10)* W243 (10) W687 (10)**	U-BG (8)* U243 (5)	L243 (3)
YDS021RL	2 ACSR (7-1) 2 ACSR (6-1) 2 6201 (7) 2 AAC (7)	11-1/4	C, or 167, or 247, or 702	W-C (30) W247 (14) W702 (11)**	U167/U568 (16) U247 (7)	L167 (7)
YDS25RL	1/0 ACSR (6-1) 1/0 6201 (7) 1/0 5005 (7) 1/0 AAC (7)	13-7/8	C, or 167, or 247, or 660, or 702	W-C (32) W660 (16) W702 (14)**	U167/U568 (15) 660 (8) U247 (8)	L167 (5)
YDS26RL	2/0 ACSR (6-1) 2/0 6201 (7) 2/0 5005 (7) 2/0 AAC (7)	13-1/2	659	—	U659 (11) Crimps Overlap	—
YDS27RL	3/0 ACSR (6-1) 3/0 6201 (7) 3/0 5005 (7) 3/0 AAC (7)	18-1/4	658	—	U658 (16) Crimps Overlap	—
YDS28RL	4/0 ACSR (6-1) 4/0 6201 (7) 4/0 5005 (7) 4/0 AAC (7)	18-1/4	654	—	U654 (18) Crimps Overlap	—
YDS321RL	336.4 ACSR (18-1) 336.4 AAC (19) 350 AAC	18-1/4	655	—	U655 (21) Crimps Overlap	—

* Multiple crimp die set; makes more than one crimp per tool compression. Figure indicates number of compressions.

** MD6 NON-BOW Dies produce straight sleeves without rotating tool.

‡ U Die with adapter PUADP-1.

† U Die with adapter PT-6515.

†† Accommodates compact conductor.

††† Accommodates ACSR with aluminized steel core.

For faster installations use BURNDY® PATRIOT® family of battery tools.

H-59

Overhead Distribution

Compression Splices - Single Sleeve Full Tension

BURNDY®

TYPES YDS-RL & YDS-LT

(Continued)

UNISPLICE™

ACCOMMODATES: AAC (STR, COMPRESSED), ACSR AND AAAC

RUS Accepted.



MATERIAL: ALUMINUM

Single-sleeve aluminum UNISPLICE™ designed to splice ACSR as simply as all aluminum. Pre-filled with PENETROX™ joint compound, stripsealed and capped to limit oxide growth and to increase the life of the connection. Eliminates strand stripping, installing separate steel sleeve

and filling with joint compound. Ends ACSR joint failure due to faulty positioning of sleeve and lack of joint compound. Simplifies hot-line splicing. Electrical and mechanical performance equal to two-piece sleeves.

TENSION RATING:
ANSI C119.4 CLASS 1
(FULL TENSION)

Catalog Number	Conductor	Code	L	Die Index	Tools, Die Set Catalog Number, & (Crimps per End)	
					Y35, Y750, Y45†, Y46‡	Y60-
YDS30LT	312.8 6201	BUTTE	—	317	U317	L317
YDS32LT	394.5 6201 394.5 5005 (336.4 E.C. Equiv.)	CANTON RADIANT	14-1/2	642	U642 (12)	L642 (4)
YDS341RL	397.5 ACSR (18-1) 419.6 5005	REDE	22	327	U327 (18)	—
YDS361RL	477 (18-1) 556.5 (18-1) 587.2 5005	RUBLE	23-1/4	720 788	U-788 (31) Crimps Overlap	L720 Crimps Overlap
YDS36LT	559.5 6201 559.5 5005 (477 E.C. Equiv.)	DARIEN REMEX	16	667	P667**	L667 Crimps Overlap

** Y46 HYPRESS™ only.

For faster installations use BURNDY® PATRIOT® family of battery tools.

H-60

TYPES YDS-A & YDS-AT

HYSPLICE™

ACCOMMODATES: AAC (STR, COMPRESSED, COMPACT)



MATERIAL: ALUMINUM

TENSION RATING:
ANSI C119.4 CLASS 1
(FULL TENSION)

INSTALLED WITH BURNDY
OR EEI DIES

Full-Tension HYSPLICE™ sleeve made of aluminum tubing with staked-in cable stop. Sizes 1/0 and larger tapered for gradual transition of stress. Installed with HYSPLICE™ tools and dies. Pre-filled with PENETROX™ joint compound, stripsealed and capped to limit oxide growth and to increase the life of the connection.

Catalog Number	Conductor	L	EEI Die Index	Index	Tools, Die Set Catalog Number (Crimps per End)	
					MD7, MD6	Y35, Y750, Y45†, Y46‡
YDS2CA	2 (7)	3-7/8	6A	693	W693 (8)	U693 (2)
YDS25AT	1/0 (7)	7-1/4	8A	243	W243(6)	U243(3)
YDS27AT	3/0 (7,19)	7-1/4	10A	694	W694 (8)	U694 (4)
YDS28AT	4/0 (7, 19)	10-1/2	11A	249	W249 (12)	U249 (6)
YDS311AT	397.5 (19)	12-1/4	13A	655	—	U655 (10)
YDS331AT	477 (19)	12-3/4	14A	317	—	U317 (9)

† U Die with adapter PT-6515.

‡ U Die with adapter PUADP-1.

For faster installations use BURNDY® PATRIOT® family of battery tools.

US: 1-800-346-4175

www.burndy.com

Canada: 1-800-387-6487

TYPE YDS-RLY

UNISPLICE™



ACCOMMODATES: AAC (STR, COMPRESSED), ACSR AND AAAC

MATERIAL: ALUMINUM

TENSION RATING:
ANSI C119.4 CLASS 1
(FULL TENSION)

RUS Accepted

Single sleeve splice similar to UNISPLICE™ type YDS-RL, except designed to eliminate possible conductor basketing on ACSR. Installed by crimping from end of connector towards center with standard tooling. Supplied pre-filled with PENETROX™ joint compound, stripsealed and

capped to limit oxide growth and to increase the life of the connection. Factory installed tape on pressure relief holes must be in place when conductors are inserted.

* Multiple crimp die set; makes more than one crimp per tool compression. Figure indicates number of compressions.
** MD6 NON-BOW Dies produce straight sleeves without rotating tool.
‡ U Die with adapter PUADP-1.
† U Die with adapter PT-6515.
††† Accommodates ACSR with aluminized steel core.
For faster installations use BURNDY® PATRIOT® family of battery tools.

H-61

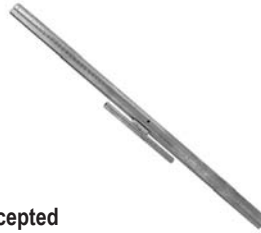
Catalog Number	Conductor †††	L	Die Index	Tools, Die Set Catalog Number, & (Crimps per End)		
				MD7, MD6	Y35, Y750, Y45†, Y46‡	Y60-
YDS4RLY	4ACSR (7-1) 4ACSR (6-1) 4 6201 (7) 4 5005 (7) 4AAC (7)	12-1/2	BG, or 243, or 687	BG (20) W-BG (10)* W687 (10)**	U-BG (8)* U243 (6)	L243 (3)
YDS2RLY	2ACSR (6-1) 2 6201 (7) 2 5005 (7) 2AAC (7)	12-3/8	BG, or 243, or 687	BG (20) W-BG (10)* W687 (10)**	U-BG (8)* U243 (6)	L243 (3)
YDS021RLY	2ACSR (7-1) 2ACSR (6-1) 2 6201 (7) 2AAC (7)	14-3/8	C, or 167, or 247, or 702	W-C (24) W702 (11)**	U167 (12) U247 (6)	L167 (6)
YDS25RLY	1/0 ACSR (6-1) 1/0 6201 (7) 1/0 5005 (7) 1/0 AAC (7)	17	C, or 167, or 247, or 660, or 702	W-C (30) W660 (16) W702 (13)**	U660 (8) U167 (16) U247 (8)	L167 (5)
YDS26RLY	2/0 ACSR (6-1) 2/0 6201 (7) 2/0 5005 (7) 2/0 AAC (7)	15	659	—	U659 Crimps Overlap	—
YDS27RLY	3/0 ACSR (6-1) 3/0 6201 (7) 3/0 5005 (7) 3/0 AAC (7)	21	658	—	U658 Crimps Overlap	—
YDS28RLY	4/0 ACSR (6-1) 4/0 6201 (7) 4/0 5005 (7) 4/0 AAC (7)	21	654	—	U654 Crimps Overlap	—
YDS321RLY	336.4 ACSR (18-1) 336.4 AAC (19)	20-1/2	655	—	U655 Crimps Overlap	—

Overhead Distribution

Compression Splices - Two Sleeve Full Tension

BURNDY®

**TYPES YDS-R SET,
YDS-RP1 (Aluminum Sleeve)
YDS-RP2 (Steel Sleeve)**



HYSPLICE™

ACCOMMODATES: ACSR (STR,
COMPRESSED AND COMPACT)

RUS Accepted

MATERIAL:
ALUMINUM (OUTER SLEEVE),
STEEL (INNER SLEEVE)

Two-piece, full tension HYSPLICE™, consists of aluminum outer sleeve and steel inner sleeve. Tapered outer sleeve provides gradual transition of stress. Filler holes provided for PENETROX™ joint compound. Sizes 1/0 and larger supplied with plugs for filler hole. Installed with standard HYSPLICE™ tools and dies (thru 556 with Y35 or Y750 HYPRESS™). Aluminum and steel sleeves can be ordered separately or in sets.

TENSION RATING:
ANSI C119.4 CLASS 1
(FULL TENSION)

* Multiple crimp die set; makes more than one crimp per tool compression.
Figure indicates number of compressions.
† U Die with adapter PT-6515.
‡ U Die with adapter PUADP-1.
For faster installations use BURNDY® PATRIOT® family of battery tools.

H-62

Catalog Number			Conductor	L	Die Index	Tools, Die Set Catalog Number, & (Crimps per End)		
Set	Sleeves					MD7, MD6	Y35, Y750, Y45†, Y46‡	Y60-
YDS021R	Steel Alum.	YDS25RP2 YDS021RP1	2 (7/1) Sparate	4.75" 17.00"	242 241	W242 (8) W241 (10)	U242 (4) U241 (5)	—
YDS1R	Steel Alum.	YDS1RP2 YDS1RP1	1 (6/1) Robin	4.13" 16.63"	240 241	W240 (6) W241 (10)	U240 (3) U241 (5)	—
YDS25R	Steel Alum.	YDS25RP2 YDS25RP1	1/0 (6/1) Raven	4.75" 17.00"	242 243	W242 (8) W243 (12)	U242 (4) U243 (6)	—
YDS26R	Steel Alum.	YDS26RP2 YDS26RP1	2/0 (6/1) Quail	5.25" 19.75"	242 245	W242 (8) W245 (15)	U242 (4) U245 (8)	—
YDS27R	Steel Alum.	YDS27RP2 YDS27RP1	3/0 (6/1) Pigeon	5.25" 16.75"	248 247	W248 (16) W247 (12)	U248 (8) U247 (6)	L248 (3)* L247 (4)*
YDS28R	Steel Alum.	YDS28RP2 YDS28RP1	4/0 (6/1) Penguin	5.13" 18.88"	248 249	W248 (14) W249 (14)	U248 (7) U249 (7)	L248 (4)* L249 (4)
YDS291R	Steel Alum.	YDS1RP2 YDS291RP1	266.8 (18 - 1)	4-1/8" 19-3/4"	240 251	W240 (6) —	U240 (3) U251 (12)	— L251 (6)
YDS30R	Steel Alum.	YDS30RP2 YDS30RP1	266.8 (26/7) Owl 266.8 (26/7) Partridge	6.00" 19.75"	250 251	—	U250 (10) U251 (10)	L250 (3) L251 (5)
YDS321R	Steel Alum.	YDS25RP2 YDS321RP1	336.4 (18/1) Merlin	4.75" 17.88"	242 490	W242 (8) —	U242 (4) U490 (10)	L242 (2)* L490 (4)
YDS32R	Steel Alum.	YDS32RP2 YDS33RP1	336.4 (26/7) Linnnet 336.4 (30/7) Oriole	6.88" 22.25"	252 316	—	U252 (9) U316 (9)	L252 (3) L316 (3)
YDS33R	Steel Alum.	YDS41RP2 YDS33RP1	336.4 (30/7) Oriole	8.63" 22.25"	305 316	—	U305 (9) U316 (9)	L305 (3) L316 (3)
YDS34R	Steel Alum.	YDS34RP2 YDS35RP1	397.5 (26/7) Ibis 397.5 (30/7) Lark	6.25" 25.63"	253 317	—	U253 (9) U317 (12)	L253 (3) L317 (4)
YDS35R	Steel Alum.	YDS44RP2 YDS35RP1	397.5 (30/7) Lark	8.00" 25.63"	255 317	—	U255 (12) U317 (12)	L255 (4) L317 (4)
YDS361R	Steel Alum.	YDS27RP2 YDS361RP1	477.0 (18/1) Pelican	5.25" 25.63"	248 327	W248 (16) —	U248 (8) U327 (16)	L248 (4)* L327 (5)
YDS326R	Steel Alum.	YDS34RP2 YDS37RP1	477.0 (24/7) Flicker 477.0 (26/7) Hawk 477.0 (30/7) Hen	6.25" 26.38"	253 261	—	U253 (9) U261 (12)	L253 (3) L261 (4)
YDS36R	Steel Alum.	YDS36RP2 YDS37RP1	477.0 (26/7) Hawk	7.88" 26.38"	350 261	—	U350 (12) U261 (12)	L350 (4) L261 (4)

**TYPES YDS-R SET,
YDS-RP1 (Aluminum Sleeve)
YDS-RP2 (Steel Sleeve)**

(Continued)

HYSPLICE™

ACCOMMODATES: ACSR (STR,
COMPRESSED AND COMPACT)

MATERIAL:
ALUMINUM (OUTER SLEEVE),
STEEL (INNER SLEEVE)

TENSION RATING:
ANSI C119.4 CLASS 1
(FULL TENSION)



RUS Accepted

Catalog Number			Conductor	L	Die Index	Tools, Die Set Catalog Number, & (Crimps per End)			
Set	Sleeves					Y35, Y750,	Y45	Y46	Y60-
YDS392R	Steel	YDS41RP2	556.5 (24-7)	8-5/8 26-1/8	305 608	U305 (9)	†	‡	L305 (3)
	Alum.	YDS39RP1				U608 (15)	†	‡	L608 (5)
YDS40R	Steel	YDS44RP2	556.5 (26-7)	8 26-1/8	255 608	U255 (12)	†	‡	L255 (4)
	Alum.	YDS39RP1				U608 (15)	†	‡	L608 (5)
YDS42R	Steel	YDS43RP2	636 (24-7)	8 32-1/2	254 319	—	S254 (15)	P254 (15)	L254 (5)
	Alum.	YDS43RP1				—	S319 (18)	P319 (18)	L319 (6)
YDS43R45RS	Steel	YDS45RP2	636 (26-7)	9 32-1/2	320 319	—	S320 (15)	P320 (15)	L320 (5)
	Alum.	YDS43RP1				—	S319 (18)	P319 (18)	L319 (6)
YDS43R43RS	Steel	YDS43RP2	666.6 (24-7)	8 32-1/2	254 319	—	S254 (15)	P254 (15)	L254 (5)
	Alum.	YDS43RP1				—	S319 (18)	P319 (18)	L319 (6)
YDS451R49RS	Steel	YDS49RP2	795 (26-7)	10 32-1/2	419 579	—	S419 (21)	P419 (21)	L419 (7)
	Alum.	YDS451RP1				—	S579 (13)	P579 (13)	L579 (6)
YDS45R45RS	Steel	YDS45RP2	795 (54-7)	9 32-1/2	320 352	—	S320 (15)	P320 (15)	L320 (5)
	Alum.	YDS45RP1				—	S352 (12)	P352 (12)	L352 (6)
YDS451R34RS	Steel	YDS34RP2	900 (45-7)	6-1/4 32-1/2	253 579	U253 (9)	†	‡	L253 (3)
	Alum.	YDS451RP1				—	S579	P579	L579 (6)
YDS49R	Steel	YDS49RP2	1033.5 (54-7)	10 37	419 422	—	—	—	L419 (7)
	Alum.	YDS49RP1				—	—	—	L422 (8)
YDS50R	Steel	YDS36RP2	1113 (45-7)	7-7/8 37	350 422	U350 (12)	†	‡	L350 (4)
	Alum.	YDS49RP1				—	—	—	L422 (8)

† U Die with adapter PT-6515.
‡ U Die with adapter PUADP-1.
For faster installations use BURNDY® PATRIOT® family of battery tools.

FOR ACSR “STATIC” WIRE

Catalog Number			Conductor	L	Die Index	Tools, Die Set Catalog Number, & (Crimps per End)		
Set	Sleeves					MD7, MD6	Y35, Y750, Y45†, Y46‡	Y60-
YDS011R	Steel	YDS27RP2	80 (8/1)	5-1/4 19-3/4	248 245	W248 (16)	U248 (8)	—
	Alum.	YDS011RP1				W245 (12)	U245 (6)	—
YDS251R	Steel	YDS34RP2	101.8 (12/7)	6-1/4 22-1/4	253 316	—	U253 (9)	L253 (3)
	Alum.	YDS251RP1				—	U316 (9)	L316 (3)
YDS261R	Steel	YDS41RP2	134.6 (12/7)	8-5/8 22-1/4	305 316	—	U305 (9)	L305 (3)
	Alum.	YDS261RP1				—	U316 (9)	L316 (3)
YDS271R	Steel	YDS44RP2	159 (12/7)	8 25-5/8	255 317	—	U255 (12)	L255 (4)
	Alum.	YDS271RP1				—	U317 (12)	L317 (4)

† U Die with adapter PT-6515.
‡ U Die with adapter PUADP-1.

H-63

TYPES YDS-R & YDS-RE

HYSPLICE™

ACCOMMODATES: ACSR

MATERIAL:

ALUMINUM (OUTER SPLICE),
STEEL (INNER SPLICE)

TENSION RATING:

ANSI C119.4 CLASS 1
(FULL TENSION)



Two-piece, full-tension HYSPLICE™, made of aluminum outer sleeve and steel sleeve for steel core. Designed to be installed with BURNDY® EEI dies. BURNDY® and EEI die index numbers are clearly marked on the sleeve.

H-64

Catalog Number Aluminum & Steel Sleeve Set	Catalog Number Aluminum Sleeve	Conductor	Aluminum Outer Sleeve					Catalog Number Steel Sleeve	Steel Inner Sleeve				
			L	EEI Die #	Die Index	Tools, Die Set Catalog No., & (Crimps per End)			LL	EEI Die #	Die Index	Tools, Die Set Catalog No., & (Crimps per End)	
						MD6	Y35, Y750, Y45†, Y46‡					MD6	Y35, Y750, Y45†, Y46‡
YDS2RE	YDS021REP1	2 (6-1)	17-1/8	6A	693	W693 (20)	U693 (5)	YDS2REP2	4-1/8	1S	690	W690 (8)	U690 (4)
YDS021RE	—	2 (7-1)						YDS25REP2	4-3/4	2S	691	W691 (9)	U691 (3)
—	YDS25RP1	1/0 (6-1)						8A	243	W243 (10)	U243 (5)	—	5-1/4
—	YDS26RP1	2/0 (6-1)	19-3/4	9A	245	W245 (12)	U245 (6)	—	5-1/4	4S	692	W692 (12)	U692 (6)
YDS27RE	YDS27RP1	3/0 (6-1)	16-3/4	10A	694	W694 (12)	U694 (6)	YDS27RP2	5-1/4	5S	248	W248 (8)	U248 (8)
YDS28RE	YDS28RP1	4/0 (6-1)	18-7/8	11A	249	W249 (14)	U249 (7)	YD28REP2	5-1/4	5S	248	W248 (8)	U248 (8)
—	—	336.4 (18-1)	17-7/8	13A	655		U655 (9)	YDS25REP2	4-3/4	2S	691	W691 (9)	U691 (3)
YDS361R	YDS361RP1	477 (18-1)	25-1/2	14A	327	W327	U327 (16)	YDS27RP2	5-1/4	5S	248	W248 (8)	U248 (3)

† U Die with adapter PT-6515.
‡ U Die with adapter PUADP-1.

For faster installations use BURNDY® PATRIOT® family of battery tools.

TYPES YDS-E, YDS-H, YDS-U

HYSPLICE™

ACCOMMODATES: STEEL

MATERIAL: STEEL

TENSION RATING:

ANSI C119.4 CLASS 1
(FULL TENSION)



Full-tension HYSPLICE™ sleeves designed for HS, EHS, Utilities (UT) or Siemens-Martin (SM) galvanized steel guy, messenger, and "Static" conductors. Made of hot-dip galvanized seamless milled steel tubing lined with silicone carbide particles.

Catalog Number	Conductor			L	Die Index	Tools, Die Set Catalog Number, & (Crimps per End)	
	Size	Str.	Grade			Y35, Y750, Y45†, Y46‡	Y60-
YDS250E	1/4	7	EHS	6-3/4	609	U609 (10)	—
YDS312H	5/16	7	HS	10-5/8	257	U257 (20)	L257 (5)*
YDS312E	5/16	7	EHS	8-1/2	305	U305 (6)	L305 (3)
YDS375H	3/8	7	HS, UT	9	304	U304 (12)	L304 (4)
YDS500H	1/2	7	HS	9-5/8	293	—	L293 (6)

* Multiple crimp die set; makes more than one crimp per tool compression. Figure indicates number of compressions.

† U Die with adapter PT-6515.
‡ U Die with adapter PUADP-1.

For faster installations use BURNDY® PATRIOT® family of battery tools.

**TYPE YDSR-RL
UNISPLICE™
Replacement Splice**



UNISPLICE™

ACCOMMODATES: AAC (STR, COMPACT), ACSR, and AAAC

MATERIAL: ALUMINUM

TENSION RATING:
ANSI C119.4 CLASS 1A
(FULL TENSION)

Single sleeve aluminum UNISPLICE™ is designed to facilitate the permanent replacement of existing

line splices, including the automatic type. Utilizing all the benefits of the standard UNISPLICE™, the extra long Replacement UNISPLICE™ fills the gap of a cutout splice and eliminates the need to find like conductor. It also reduces installation time of the current standard methods by half, reducing the total number of splices from two to one. All splices are pre-filled with PENETROX™ joint compound, stripsealed and capped to limit oxide growth and to increase the life of the connection.

- ① U Die with adapter PT-6515.
 - ② U Die with adapter PUADP-1.
 - * Multiple crimp die set; makes more than one crimp per tool compression. Figure indicates number of compressions.
 - ** MD6 NON-BOW Dies produce straight sleeves without rotating tool.
 - † Overlap Crimps
- For faster installations use BURNDY® PATRIOT® family of battery tools.

Catalog Number	Conductor		L	Die Index	Installation Tooling Data (# of crimps per end)				
	AWG / kcmil	Str.			MD7, MD6 HYTOOL™	Y35	Y750	Y45 ①	Y46 ②
YDSR4RL	4 ACSR	6-1; 7-1	24.63"	BG 687 243	W-BG (11)* W687 (9)** W243 (11)	UBG (9)* U243 (6)	UBG (9) U243 (6)	UBG (9) U243 (6)	UBG (9) U243 (6)
	4 6201	7							
	4 5005	7							
	4 AAC	7							
YDSR2RL	2 ACSR	6-1; 7-1	28.00"	BG 687 243	W-BG (20) W687 (10)** W243 (10)	UBG (8)* U243 (5)	UBG (8) U243 (5)	UBG (8) U243 (5)	UBG (8) U243 (5)
	2 6201	7							
	2 5005	7							
	2 AAC	7							
YDSR25RL	1/0 ACSR	6-1	34.13"	C 167 247 660 702	WC (30) W247 (14) W660 (15) W702 (14)**	U167/U568 (15) U247 (8) U660 (8)	U167/U568 (15) U247 (8) U660 (8)	U167/U568 (15) U247 (8) U660 (8)	U167/U568 (15) U247 (8) U660 (8)
	1/0 6201	7							
	1/0 5005	7							
	1/0 AAC	7							
YDSR26RL	2/0 ACSR	6-1	35.50"	659	—	U659 † (11)	U659 † (11)	U659 † (11)	U659 † (11)
	2/0 6201	7							
	2/0 5005	7							
	2/0 AAC	7							
YDSR27RL	3/0 ACSR	6-1	42.25"	658	—	U658 † (16)	U658 † (16)	U658 † (16)	U658 † (16)
	3/0 6201	7							
	3/0 5005	7							
	3/0 AAC	7							
YDSR28RL	4/0 ACSR	6-1	45.75"	654	—	U654 † (18)	U654 † (18)	U654 † (18)	U654 † (18)
	4/0 6201	7							
	4/0 5005	7							
	4/0 AAC	7							
YDSR321RL	336.4 ACSR	18-1	45.75"	655	—	U655 † (21)	U655 † (21)	U655 † (21)	U655 † (21)
	336.4 AAC	19							
	350.0 AAC	19							
YDSR341RL	397.5 ACSR	18-1	49.50"	327	—	U327 (18)	U327 (18)	U327 (18)	U327 (18)
	419.6 5005	19							
YDS361RL	477 (18-1)	18-1	23.21"	720 788	—	U-788 † (31)	U-788 † (31)	U-788 † (31)	U-788 † (31)
	556.5 (18-1)	18-1							
	587.2 5005	19							

Overhead Distribution

Compression Reducer - Single Sleeve Full Tension

BURNDY®

TYPE YDR-R

UNISPLICE™ REDUCER

ACCOMMODATES: AAC (STR, COMPRESSED), ACSR AND AAAC

MATERIAL: ALUMINUM

TENSION RATING:
ANSI C119.4 CLASS 1
(FULL TENSION)

RUS Accepted



Single-sleeve aluminum UNISPLICE™ reducer is designed to splice ACSR as simply as all aluminum. Pre-filled with PENETROX™ joint compound, stripsealed and capped to limit oxide growth and to increase the life of the connection. Eliminates strand stripping, installing separate

steel sleeve and filling with joint compound. Electrical and mechanical performance equal to two-piece sleeves.

H-66

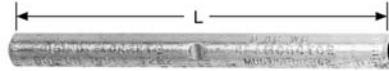
Catalog Number	Side A		Side B		L	OD	Tools, Die Set Catalog Number (# crimps per side)		
	ACSR, 6201, 5005	Aluminum	ACSR, 6201, 5005	Aluminum			Die Index	MD6, MD7, PATMD6	Y35, Y750, PAT750
YDR2R4RG1	#2 (6/1)	#2	#4 (6/1)	#4	11.91	0.66	BG 243	WBG (10) W243 (12)	UBG (1) U243 (6)
YDR25R4RL	1/0 (6/1)	1/0	#4 (6/1)	#4	12.93	0.80	167 247 K737	W167 (32) W247 (16) WK737 (32)	U167 (14) U247 (7) UK737 (14)
YDR25R2RL	1/0 (6/1)	1/0	#2 (6/1)	#2	12.93	0.80	167 247 K737	W167 (32) W247 (16) WK737 (32)	U167 (14) U247 (7) UK737 (14)
YDR27R25RL	3/0 (6/1)	3/0	1/0 (6/1)	1/0	18.18	0.91	658	—	U658 (16 overlap) U658 (11 spaced)
YDR28R26R	4/0 (6/1)	4/0	2/0 (6/1)	2/0	18.65	1.02	654	—	U654 (18 overlap) U654 (12 spaced)
YDR28R27R	4/0 (6/1)	4/0	3/0 (6/1)	3/0	18.65	1.02	654	—	U654 (18 overlap) U654 (12 spaced)
YDR391RL321RL	556.5 (18/1)	—	336.4 (18/1)	—	16.27	1.40	318/261	—	U261 (12)

* Multiple crimp die set; makes more than one crimp per tool compression. Figure indicates number of compressions.

For faster installations use BURNDY® PATRIOT® family of battery tools.

TYPE YDS-K

HYSPLICE™



ACCOMMODATES: COPPERWELD

MATERIAL: COPPER

TENSION RATING:
ANSI C119.4 CLASS 1
(FULL TENSION)

Full-tension HYSPLICE™ designed to exceed the minimum rated breaking strength of 30% conductivity extra high strength Copperweld and lower strength conductors. Made of pure copper tubing. Installed with HYSPLICE™ tools and dies.

Catalog Number	Conductor	L	Die Index	Tools, Die Set Catalog Number, & (Crimps per End)		
				MD7, MD6	Y35, Y750, Y45†, Y46‡	Y60-
YDS8WK	8 Sol.	3-3/4	285, or 162	W162 (6)	U285 (2)	—
YDS6WK	6 Sol.	4-3/8	276, or 162	W162 (6)	U276 (6)	—
YDS3K10	(3 #10)	4-7/8	403	—	U403 (3)*	—
YDS3K8	(3 #8)	5-5/8	205	—	U205 (5)	—
YDS3K7	5/16 (7 #10) (3 #7)	10	167	—	U167/U568 (10)	L167 (4)
YDS3K6	11/32 (7#9) (3#6)	9-1/2	331	—	U331 (9)	L331 (3)
YDS3K5	3/8 (7 #8) (3 #5)	6-7/8	259	—	U259 (6)	L259 (2)
YDS7K7	7/16 (7 #7)	6-7/8	328	—	—	L328 (3)
YDS7K6	1/2 (7 #6)	9-3/8	260	—	—	L260 (4)
YDS7K5	9/16 (7 #5)	11-3/8	344	—	—	L344 (6)

* Multiple crimp die set; makes more than one crimp per tool compression. Figure indicates number of compressions.

† U Die with adapter PT-6515.
‡ U Die with adapter PUADP-1.

For faster installations use BURNDY® PATRIOT® family of battery tools.

H-67

TYPE YTS-E

ACCOMMODATES: EHS STEEL

MATERIAL: ALUMINUM



RUS Accepted

TENSION RATING:
ANSI C119.4 CLASS 1
(FULL TENSION)

Full tension splice for EHS steel guy, messenger or "static" cable. Sleeve is prefilled with PENETROX™ joint compound, stripsealed and capped to limit oxide growth and to increase the life of the connection.

Catalog Number	Conductor †	L	Tools, Die Sets	
	EHS Steel		Die Index	Y60-*
YTS375E	3/8" 7 Str.	10-3/8	723	L723
YTS438E	7/16" 7 Str.	11-7/8	726	L726

* Overlap crimps.

† Sleeve is high strength aluminum alloy for optimum corrosion resistance.

For faster installations use BURNDY® PATRIOT® family of battery tools.

TYPES YDS-KT & YDS-F

HYSPlice™

ACCOMMODATES: COPPERWELD -
COPPER

MATERIAL: COPPER

TENSION RATING:
ANSI C119.4 CLASS 1
(FULL TENSION)



RUS Accepted

Full-tension HYSPlice™ made of pure copper tubing. Type YDS-KT is tapered to provide gradual transition of stress on Type "A" conductor. HYSPlice™ Type YDS-F is recommended for Type "F" conductor.

Catalog Number	Conductor	L	Die Index	Tools, Die Set Catalog Number, & (Crimps per End)		
				MD7, MD6	Y35, Y750, Y45†, Y46‡	Y60-
YDS8KT	8A	5	162 or 202	W162 (4)	U202 (4)*	—
YDS6KT	6A	6-1/8	162 or 203	W162 (5)	U203 (5)*	—
YDS4KT	4A	6-3/8	163 or 204	W163 (5)	U204 (10)	—
YDS2KT	2A	7-3/4	205	—	U205	—
YDS3K6	11/32 (7#9) (3#6)	9-1/2	331	—	U331 (9)	L331 (3)
YDS2F	2F	6-1/4	329	—	U329 (4)	—
YDS25F	1/0F	8-3/4	568	—	U167/U568 (8)	—
YDS26F	2/0F	9-5/8	552	—	U552 (11)	—
YDS28F	4/0F	11-7/8	331	—	U331 (12)	L331(4)

* Multiple crimp die set; makes more than one crimp per tool compression. Figure indicates number of compressions.

† U Die with adapter PT-6515.
‡ U Die with adapter PUADP-1.

For faster installations use BURNDY® PATRIOT® family of battery tools.

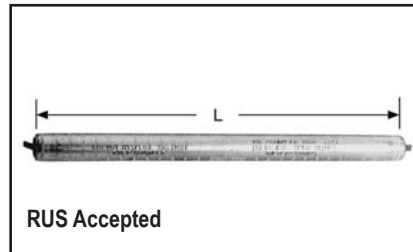
H-68

TYPE YDS-M-T

ACCOMMODATES: ALUMOWELD

MATERIAL: ALUMINUM

TENSION RATING:
ANSI C119.4 CLASS 1
(FULL TENSION)



RUS Accepted

Full-tension splice for Alumoweld transmission lines. Five connectors accommodate eight conductor sizes. Sleeve is pre-filled with PENETROX™ joint compound and capped.

Catalog ††† Number	Conductor ALUMOWELD	L	Tools, Die Sets		
			Die Index	Y35, Y750, Y45†, Y46‡	Y60-
YDS7M10T	7 #10, 3 #7	10	676 or 721	U676 (8)	L721
YDS7M9T	7 #9, 3 #6	10-3/8	677	U677 (10)	—
YDS7M8T	7 #8, 3 #5	12-1/4	668 or 723	U668 (13)	L723
YDS7M7T	7 #7	14-1/2	678 or 726	U678 (19)	L726
YDS7M6T	7 #6	15-1/8	679 or 726	U679 (2)	L726

* Overlap crimps.
† U Die with adapter PT-6515.
‡ U Die with adapter PUADP-1.

††† Sleeve is high strength aluminum alloy for optimum corrosion resistance.

For faster installations use BURNDY® PATRIOT® family of battery tools.

DEADEND FITTING AND ACCESSORIES
TABLE OF CONTENTS**LOOP**Type **UP-R** H-70Type **BC** H-71Type **M** H-71**PRIMARY AND STRAIN BUS**Type **CUW-E** H-72Type **DUW** H-72Type **CUW-A-E & CUW-R-E** H-73Type **DUW-A & DUW-A-E** H-73

H-69

DEADEND FITTINGS AND ACCESSORIES

The deadend method selected for any particular application will depend upon the nature of the application, the size of the conductor, holding strength required, and preference for mechanical or compression devices.

Secondaries are commonly deadended by bending wire around a spool insulator and snubbing with the same connectors used for the secondary to service drop connection. On copper conductor, connectors such as Ubolt Clip BC, SERVIT™ KS, OKLIP™ KVS or CRIMPIT™ YC-C are recommended. These connectors provide high holding strength without damaging

conductor strands. On aluminum wires, CLIPIT™ UW-R, mechanical connector is recommended.

The same methods can also be used on primaries. However, the straight line clamp Type CUW-A-E is more popular for this application. They are easier to install on either hot or de-energized lines. They are particularly well suited to hot-line maintenance, and allow easy re-sagging of conductors.

Straight line types are also popular for deadending strain buses. These are normally large, hard to handle conductors that do not lend themselves to snub or "quadrant" types. Types DUW or CUW-E

are recommended for copper conductor and DUW-A and DUW-AE for aluminum and ACSR. The pulling eye on the DUW-A-E is in line with the cable to make installation easier.

H-70

TYPE UP-R

HEAVY DUTY PARALLEL CLAMP

ACCOMMODATES:

AAC (STR, COMPRESSED, COMPACT†), ACSR†, AAAC AND COPPER

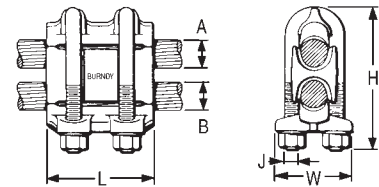
MATERIAL: ALUMINUM

Heavy duty aluminum connector for feeder, subtransmission and primary distribution. Massive design and large spacer give maximum protection against galvanic action and overload conditions. Spacing of U-bolts, tapered bell mouths and modified V groove minimize cold flow, eliminate cable damage, and produce wiping action on conductors. Spacer taps confine cable strands to

prevent splaying. Captured, heat treated aluminum alloy U-bolts. PENETROX™ joint compound recommended for all combinations.



RUS Accepted



Catalog Number	Groove A		Groove B		Dimensions			
	ACSR †, 6201, 5005	Copper or Aluminum †	ACSR †, 6201, 5005	Copper or Aluminum †	H	J	L	W
UP34R	110.8 (12-7) - 397.5 (18-1)	3/0 Str. - 400	110.8 (12.7) - 397.5 (18-1)	3/0 Str. - 400	4-5/8	1/2-13	4	2-5/8
UP45R36R	336.4 (30-7) - 795 (30-19)	397.5 - 954	110.8 (12-7) - 447 (18-1)	3/0 Str. - 500	5-1/4	1/2-13	4	2-7/8
UP45R	336.4 (30-7) - 795 (30-19)	397.5 - 954	336.4 (30-7) - 795 (30-19)	397.5 - 954	6-1/4	5/8-11	4-1/2	3-1/4

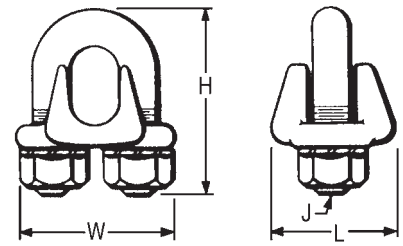
† Accommodates compact and compressed conductors within diameter range. To ensure proper tightening torque use BURNDY® BTW torque wrenches.

TYPE BC

CLIP

Deadend Clamp for Guy Wire

Deadend CLIP with DURIMUM™ silicone bronze U-bolt, nuts, and washers. Saddle made of high strength corrosion resistant copper alloy.



Catalog Number	Copper	Guy Wire	Dimensions			
			H	J	L	W
BC2C	2 Sol.	5/16	2	3/8	1-1/4	1-3/4
BC25	1/0 Str.	3/8			1-3/8	
BC28	2/0 Str. - 4/0 Str.	1/2	2-3/8	1/2	1-3/4	2-1/4

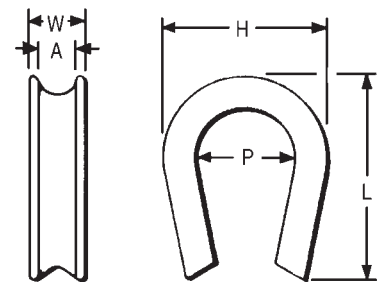
H-71

TYPE M

DEADEND THIMBLE

Deadend Copper Conductor or Guy Wire

High strength corrosion resistant copper alloy thimble groove to fit any size guy wire used for deadending. Generous radius prevents kinking or overstressing outer strands of wire.



Catalog Number	Groove Size A	Dimensions			
		H	L	P	W
M20	5/16	1-5/8	1-7/8	7/8	5/8
M30	3/8	1-7/8	2-1/8	1	
M40	7/16	1-3/4	2-5/8	1-1/8	
M50	1/2	1-7/8	2-1/4		
M60	5/8	2-1/4	2-5/8	1-3/8	7/8
M70	3/4	2-5/8	3-1/4	1-1/2	1
M80	7/8	3	3-3/8	1-3/4	1-1/4
M90	1	3-3/8	3-3/4	2	1-3/8

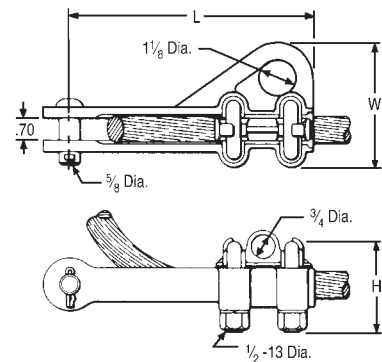
TYPE CUW-E

DEADEND CLAMP

ACCOMMODATES: COPPER

MATERIAL: COPPER

High strength, two-bolt, cast copper alloy strain clamp with single saddle designed for short span distribution and strain bus application. Galvanized steel clevis pin, and U-bolts.



Catalog Number	Conductor Range	Dimensions		
		H	L	W
CUW34-E	4/0 Str. - 500	3	7-3/8	4
CUW44-E	500 - 1000	3-3/8	8-3/4	4-1/2

H-72

To ensure proper tightening torque use BURNDY® BTW torque wrenches.

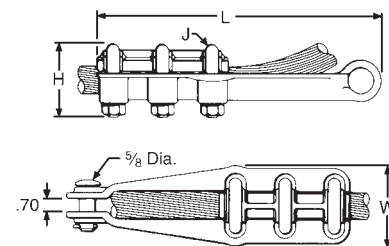
TYPE DUW

DEADEND CLAMP

ACCOMMODATES: COPPER

MATERIAL: COPPER

High strength corrosion resistant copper alloy strain clamp with three DURIMUM™ U-bolts and single serrated saddle. Galvanized steel clevis pin.



Catalog Number	Conductor	Dimensions			
		H	J	L	W
DUW28	1 Str. - 4/0 Str.	2-1/2	3/8	9-7/8	2-1/4
DUW31	4/0 Str. - 350	2			2-3/8
DUW34	350-500	2-5/8	1/2		2-3/4
DUW44	500-1000	2-7/8		11-3/8	3-1/4

To ensure proper tightening torque use BURNDY® BTW torque wrenches.

**TYPES CUW-A-E
& CUW-R-E**

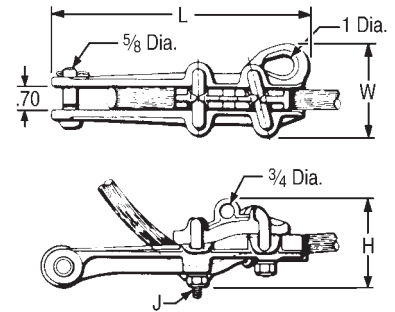
DEADEND CLAMP

ACCOMMODATES:
AAC (STR, COMPRESSED†),
ACSR† AND AAAC

MATERIAL: ALUMINUM



RUS Accepted



High strength aluminum clamp for deadending primary distribution lines. Straight-line design, with hot stick lifting-eye, pulling-eye, and captured, angled U-bolts, facilitates installation and maintenance, especially on hot-line work. Snub-

pocket V-shaped, range-taking conductor groove and galvanized steel U-bolts provide high holding strength.

Catalog Number	Aluminum †	ACSR †, 6201, 5005	Dimensions			
			H	J	L	W
CUW26RE-1	2 Str. - 2/0 (19)	4 - 2/0	3	3/8-16	8	3
CUW30A-E	1/0 (7) - 300	1/0 - 266.8 (18-1)	3-5/8	1/2-13	10	3-1/2
CUW32R-E	3/0 (7) - 350	3/0 - 336.4 (26-7)	4	1/2-13	10	3-5/8
CUW361R-E	4/0 - 500	4/0 - 477 (18-1)	4-1/8	1/2-13	11	3-5/8
CUW391A-E	336.4 - 795	300 (26-7) 636 (26-7)	4-7/8	1/2-13	11	4-1/8

† Accommodates compressed conductors within diameter range. To ensure proper tightening torque use BURNDY® BTW torque wrenches.

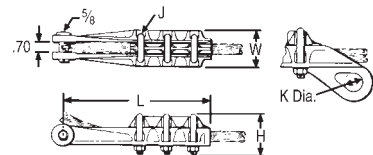
H-73

**TYPES DUW-A
& DUW-A-E**

DEADEND CLAMP

ACCOMMODATES:
AAC (STR, COMPRESSED†),
ACSR† AND AAAC

MATERIAL: ALUMINUM



High strength cast aluminum alloy clamp recommended for strain bus applications. Three galvanized steel U-bolts, single saddle and headed clevis pin provide high holding strength. Type

DUW-A-E has pulling-eye in line with conductor for easier installation.

Catalog Number		Conductor		Dimensions				
Without Pulling Eye	With Pulling Eye	Aluminum †	ACSR †, 6201, 5005	H	J	K	L	W
DUW28A	—	1 - 4/0	2 (7-1) - 4/0	2	3/8	0.88	9-1/2	2-1/4
DUW44A	DUW44A-E	500-1000	397.5 (30.7) - 900 (54-7)	3-3/8	1/2	1.25	11-1/4	3-5/8

† Accommodates compressed conductors within diameter range. To ensure proper tightening torque use BURNDY® BTW torque wrenches.

COMPRESSION TERMINALS AND ACCESSORIES
TABLE OF CONTENTS

Types YCA-2N & YCAB-4N	H-75
Type YCA-RL-2N	H-76
Types YCA-R-N & YCAK-R-N	H-77 - H-78
Type YAK-A-2G	H-79
Types YCAK-A & YRA	H-80

**COMPRESSION
TERMINALS &
ACCESSORIES**

Compression terminals are used to make convenient and reliable connections to switch pads, transformers, and other electrical equipment. They accommodate either copper, aluminum, ACSR, ACAR, Alumoweld, or steel conductor and come with one, two or four hole NEMA drilled pads to match the equipment drilling. Standard copper and aluminum terminals are also listed in the compression section C.

**TYPES YCA-2N
& YCAB-4N**

HYLUG™

ACCOMMODATES: COPPER

MATERIAL: COPPER

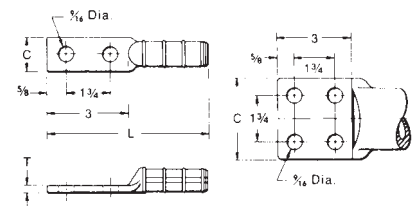


Fig. 1

Fig. 2

Compression HYLUG™ terminals designed for terminating copper conductors to switch pads and other substation or switch yard apparatus. NEMA standard mounting holes. Made of pure copper. Installed with same die as equivalent full-tension jumper loop and repair sleeves.

Catalog Number	Conductor	Fig. No.	C	L	T	Die Index	Tools, Die Set Catalog Number, & (Number of Crimps)		
							MD7, MD6	Y35, Y750, Y45†, Y46‡	Y60-
YCA25-2N	1/0 (7, 19)	1	7/8	5-3/8	1/8	165	W165 (3)	U165/U205 (3)	—
YCA26-2N	2/0 (7, 19, 37)		1	5-1/4	1/4	166	W166 (6)	U166/U459 (3)	—
YCA27-2N	3/0 (7, 19)		1-1/8	5-3/8		167	—	U167/U568 (3)	L167 (1)
YCA28-2N	4/0 (7, 12, 19)		1-1/4		168	—	U168 (3)	L168 (1)	
YCAB28-4N	4/0 (7, 12, 19)	2	3	5-5/8	3/8	169	—	U169 (4)	L169 (1)
YCA29-2N	250 (7, 19, 37)	1	1-3/8			5-1/2	170	—	U170 (5)
YCA30-2N	300 (19, 37)		1-1/2	6-1/2	1/2	267	—	U267 (6)	L267 (2)
YCA31-2N	350 (12, 19, 37)		1-5/8			6-3/4	209	—	U209 (6)
YCAB32-4N	400 (19, 37)		2	3	7-1/8	210	—	U210 (6)	L210 (2)
YCA34-2N	500 (19, 37)	1	1-7/8	6-1/2	3/8		—		
YCAB34-4N	500 (19, 37)	2	3	6-7/8	1/2	—	627	—	L627 (3)
YCA39-2N	750 (37, 61)	1	2-3/8	7-1/4	5/8	—			
YCAB39-4N	750 (37, 61)	2	3	7-1/2	1/2	—	—	—	
YCAB44-4N	1000 (61)			7-7/8	5/8	345	—	—	L345 (4)

YCAB have brazed pads.

† U Die with adapter PT-6515
‡ U Die with adapter PUADP-1

To ensure proper tightening torque use BURNDY® BTW torque wrenches.

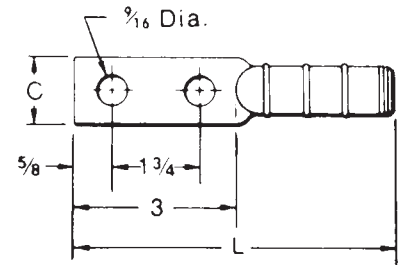
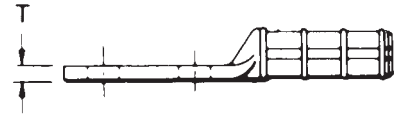
TYPE YCA-RL-2N

HYLUG™

ACCOMMODATES: AAC (STR, COMPRESSED, COMPACT), ACSR AND AAAC

MATERIAL: ALUMINUM

Aluminum compression HYLUG™ for terminating overhead conductors to switch pads and other substation or switch yard apparatus. NEMA standard mounting holes. Installed with same die as equivalent fulltension UNISPLICE™. Pre-filled with PENETROX™ joint compound, stripsealed and capped to limit oxide growth and to increase the life of the connection.



H-76

Catalog Number	Conductor	C	L	T	Die Index	Tools, Die Set Catalog Number, & (Number of Crimps)	
						MD7, MD6	Y35, Y750, Y45†, Y46‡
YCA4RL-2N	4 ACSR (6-1, 7-1) 4 6201 (7) 4 AAC (7)	7/8	6	3/8	BG, 243, 687	W-BG (8) Fixed BG (8) W687 (4)	U243
YCA2RL-2N	2 ACSR (6-1, 7-1) 2 6201 (7) 2 AAC (7)						
YCA25RL-2N	1/0 ACSR (6-1) 1/0 6201 (7) 1/0 AAC (7) 1/0 5005 (7)	1-1/8	7		C, 247, 702	WC (12) W702 (4)**	U247 (3)
YCA26RL-2N	2/0 ACSR (6-1) 2/0 6201 (7) 2/0 AAC (7) 2/0 5005 (7)				6-1/2	659	U659 (3)
YCA27RL-2N	3/0 ACSR (6-1) 3/0 6201 (7) 3/0 AAC (7)	1-1/4	658			U658 (3)	
YCA28RL-2N	4/0 ACSR (6-1) 4/0 6201 (7) 4/0 AAC (7) 4/0 5005 (7)	1-1/2	654			U654 (3)	
YCA321RL-2N	336.4 ACSR (18-1) 336.4 AAC (19) 500 AAC	1-5/8	655			U655 (3)	

† U Die with adapter PT-6515.
‡ U Die with adapter PUADP-1.

** MD6 NON-BOW Dies produce straight sleeves without rotating tool.

For faster installations use BURNDY® PATRIOT® family of battery tools.

TYPES YCA-R-N &
YCAK-R-N

ACCOMMODATES: AAC (STR,
COMPRESSED, COMPACT), ACSR
AND AAAC

MATERIAL: ALUMINUM

Aluminum compression HYLUG™ for terminating jumper loops and equipment taps at switchpads and other substation apparatus, or to YDW-R deadends. NEMA standard mounting holes. Installed with same dies as equivalent full-tension sleeves. Pre-filled with PENETROX™ joint compound, stripsealed and capped to limit oxide growth and to increase the life of the connection.

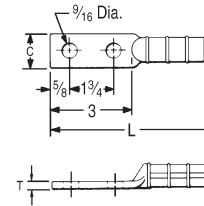


Fig. 1

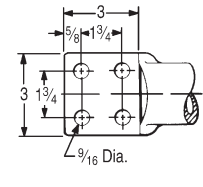


Fig. 2

Catalog Number	Conductor		Fig No.	C	L	T	Die Index	Die Set, Tools Catalog Number, & (Number of Crimps)				
	ACSR, 6201, 5005	Aluminum						MD7, MD6 Series	Y35, Y750	Y45	Y46	Y60-
YCA4R-2N	4	4 (7)	1	1-1/4	5-5/8	1/4	237	W237 (3)	U237 (2)	†	‡	—
YCA2R-2N	2	2 (7)					239	W239 (3)	U239 (2)	†	‡	—
YCA25R-2N	1/0	1/0 (7,19)	2	7/8	6-1/4	3/8	KS18 243 BG or 8A	BG (8) W-BG (4)* U243 (2)	U-BG (4)	†	‡	—
YCAK25R-4N								BG (8) W-BG (4)* U243 (2)	U243 (2)	†	‡	L243 (1)
YCA26R-2N	2/0	2/0 (7,19)	1	1	6-3/8	1/4	245AA	W245 (4)	U245 (2)	†	‡	L245 (1)
YCA27R-2N	3/0 - 110.8 (12-7)	3/0 (7,19)					247	W247 (6)	U247 (3)	†	‡	L247 (2)
YCA28R-2N	4/0 (6-1, 6-7)	4/0 (7,19)	2	1-1/4	6-7/8	3/8	249	K840 249 11A	U249 (3)	†	‡	L249 (2)
YCAK28R-4N									†	‡	—	
YCA30R-2N	266.8 (18-1, 6-7 26-7)	266.8 (7,19)	1	1-1/2	6-3/4	3/8	251	—	U251 (4)	†	‡	L251 (2)
YCAK30R-4N									2	3	7-3/8	†
YCA321R-2N	336.4 (18-1)	336.4 (19) - 350 (19, 37, 61)	1	1-1/2	7	3/8	321	—	U321 (4)	†	‡	L321 (2)
YCAK321R-4N									2	3	7-1/8	†
YCA33R-2N	336.4 (26-7, 30-7) 397.5 (18-1)	397.5 (19)	1	1-5/8	7-1/4	3/8	316	—	U316 (4)	†	‡	L316 (2)
YCAK33R-4N									2	3	7-3/8	†
YCA35R-2N	397.5 (26-7, 30-7)	477 (19, 37) - 500 (37, 61)	1	1-7/8	7-1/2	3/8	317	—	U317 (4)	†	‡	L317 (2)
YCAK35R-4N									2	3	7-3/8	†
YCA361R-2N	477 (18-1)	500 (37, 61)	1	1-7/8	7-5/8	7/16	327	—	U327 (4)	†	‡	L327 (2)
YCAK361R-4N									2	3	†	‡
YCA37R-2N	556.5 (18-1) 477 (24-7, 26-7, 30-7)	556.5 (19, 37)	1	2	8-1/8	3/8	261	—	U261 (5)	†	‡	L261 (2)
YCAK37R-4N									2	3	†	‡
YCA39R-2N	556.5 (24-7, 26-7)	—	1	2-1/8	8-3/8	1/2	608	—	U608 (6)	†	‡	L608 (2)
YCAK39R-4N									2	3	†	‡
YCAK361A-4N	—	636 (37)	2	3	8-1/8	1/2	469	—	—	S469 (6)	P469 (6)	L469 (2)

* Multiple crimp die set; makes more than one crimp per tool compression.
Figure indicates number of compressions.
† U Die with adapter PT-6515.
‡ U Die with adapter PUADP-1.

YCA HYLUGS™ are made from heavy walled tubing.
YCA4R-2N, YCA2R-2N and all YCAK HYLUGS™ are cast aluminum alloy.

For faster installations use BURNDY® PATRIOT® family of battery tools.

(Table continued on next page.)

TYPES YCA-R-N & YCAK-R-N

(Continued)

ACCOMMODATES: AAC (STR,
COMPRESSED, COMPACT), ACSR
AND AAAC

MATERIAL: ALUMINUM

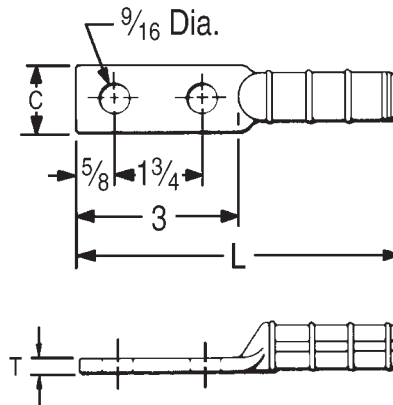


Fig. 1

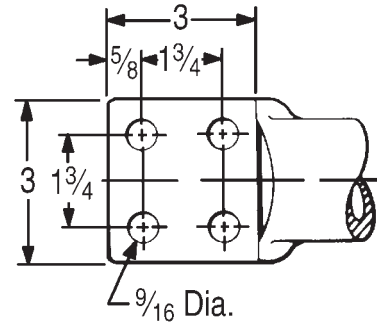


Fig. 2

H-78

Catalog Number	Conductor		Fig No.	C	L	T	Die Index	Die Set, Tools Catalog Number, & (Number of Crimps)		
	ACSR, 6201, 5005	Aluminum						Y45	Y46	Y60-
YCA43R-2N	605 (30-19) 636 (24-7, 26-7, 30-19) 666.6 (24-7)	795 (37, 61)	1	2-1/2	10-1/4	3/4	292 or 319	S292 (6) S319 (6)	P292 (6) P319 (6)	L292 (3) L319 (3)
YCAK43R-4N		700 (61) 750 (61)	2	3	9-5/8					
YCA391A-2N	—	795 (37) 750 (61)	1	2-3/8	10-1/8	5/8	342	S342 (6)	P342 (6)	L342 (3)
YCAK391A-4N	—				9-7/8					
YCAK453R-4N	795 (36-1) 715.5 (26-7) 795 (45-7)	—	2	3	9-5/8	5/8	292*, 578	S292 (6)	P292 (6)	L292 (3)
YCA44A2NG2	—	1000	1	2-3/8	11	5/8	342	S342 (6)	P342 (6)	L342 (3)
YCA45R-2N	795 (26-7, 54-7)	900 (61, 91) 954 (37, 61) 1000 (61)		2-1/2	10-1/4					
YCAK45R-4N		—	9-5/8							
YCA48R-4N	900 (54-7) 954 (54-7) (45-7) 1033.5 (45-7) (36-1)	—	2	3	10	3/4	575	—	—	L575 (3)
YCA441A-4N	—	1033.5 (37, 61) - 113 (61)			10-1/4					
YCA451A-4N	1113 (54-19)	1272 (61)								

* Multiple crimp die set; makes more than one crimp per tool compression. Figure indicates number of compressions.

YCA HYLUGS™ are made from heavy walled tubing.
YCA4R-2N, YCA2R-2N and all YCAK HYLUGS™ are cast aluminum alloy.

For faster installations use BURNDY® PATRIOT® family of battery tools.

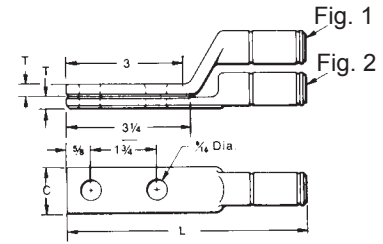
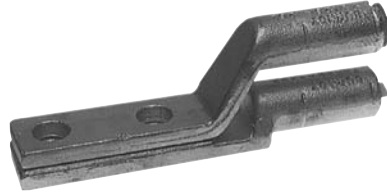
TYPE YAK-A-2G

STACKING HYLUG™

ACCOMMODATES:
AAC (STR, COMPRESSED)

MATERIAL: ALUMINUM

Cast aluminum HYLUG™ with a special tongue configuration for stacking of conductors on two and four hole NEMA transformer or equipment terminal pads. Up to eight conductors may be stacked on one four hole NEMA pad. HYLUG™ is prefilled with PENETROX™ joint compound, stripsealed and capped to limit oxide growth and to increase the life of the connection.



Catalog Number	Fig No.	Conductor	C	L	T	Die Index	Die Set, Tools Catalog Number, & (Number of Crimps)			
							MD7, MD6 Series	Y35, Y750	Y45	Y46
YAK2CA2G1	1	2 Str.	7/8	5-5/8	1/4	BG K-5/8 243	BG (3) W-BG (1) W243 (1)	U-BG (1) UK 581T (3) U243 (1)	† † †	‡ ‡ ‡
YAK2CA2G2	2									
YAK25A-2G1	1	1/0 Str.	7/8	5-5/8	1/4	BG K-5/8 243	BG (3) W-BG (1) W243 (1)	U-BG (1) UK 581T (3) U243 (1)	† † †	‡ ‡ ‡
YAK25A-2G2	2									
YAK28A-2G1	1	4/0 Str.**	1-1/8	6-1/4	5/16	249 K-840	W249* W-K840*	U249*	† †	‡ ‡
YAK28A-2G2	2									
YAK29A-2G1	1	250	1-5/8	6-7/8	3/8	299 705	—	U31ART* U705	† †	‡ ‡
YAK31A-2G1	1	350								
YAK31A-2G2	2	350	1-5/8	6-7/8	3/8	299 705	—	U31ART* U705	† †	‡ ‡
YAK311A-2G1	1	397.5								
YAK311A-2G2	2	397.5	1-5/8	7-3/4	7/16	317 705	—	U317* U705*	† †	‡ ‡
YAK34A-2G1	1	500								
YAK34A-2G2	2	500	1-5/8	8-1/4	5/8	608 722 786	—	U608* U786*	† †	‡ ‡
YAK361A-2G1	1	600								
YAK361A-2G2	2	636	1-5/8	8-1/4	5/8	608 722 786	—	U608* U786*	† †	‡ ‡
YAK39A-2G1	1	700								
YAK39A-2G2	2	750	1-5/8	8-1/4	5/8	608 722 786	—	U608* U786*	† †	‡ ‡
YAK44A-2NG8	1	1000								
YAK44A-2NG7	2	1000	1-5/8	8-7/8	5/8	302	—	—	S44ART*	P44ART*

* Overlap crimps.
** Accommodates 4/0 Str., Al or Cu.

† U Die with adapter PT-6515.
‡ U Die with adapter PUADP-1.

For faster installations use BURNDY® PATRIOT® family of battery tools.

H-79

TYPES YCAK-A & YRA

ALUMINUM HYLUG™

ACCOMMODATES: AAC (STR, COMPRESSED), ACSR AND COPPER

MATERIAL: ALUMINUM

Aluminum HYLUG™ for joining aluminum and copper cable to transformer and equipment pads. HYLUG™ is pre-filled with PENETROX™ joint compound, stripsealed and capped to limit oxide growth and to increase the life of the connection. Installed with standard tooling, five die sets install fourteen terminal sizes.

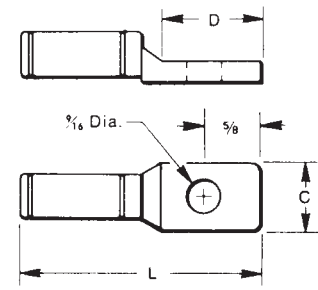


Fig. 1

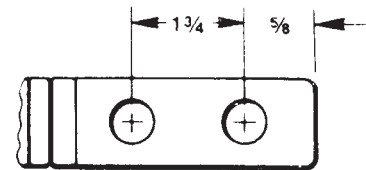


Fig. 2

H-80

Catalog Number	Fig No.	Conductor			C	D	L	Die Index	Die Set, Tool Catalog Number & (Number of Crimps)			
		Copper	Aluminum Conc.& Compact	ACSR					MD7, MD6 Series	Y35, Y750	Y45	Y46
YRA8CU-1	1	6 Sol. - 8 Sol.	8 Str.	—	15/16	1-1/16	2-9/16	BG 243	BG (3) K 5/8 243 (1)	U-BG (1) U-K-5/8-1T (3) U243 (1)	†	‡
YRA6CU-1		4 Sol. - 6 Str.	4 Sol. - 6 Str.	6 (6-1)								
YRA4CU-1		2 Sol. - 4 Str.	2 Sol. - 4 Str.	4 (6-1, 7-1)								
YRA1CU-1		1 Str. - 2 Str.	1 Str. - 2 Str.**	2 (6-1, 7-1)								
YRA25A-1		—	1/0 Str.	—								
YRAL4CU		2 Sol. - 4 Str.	2 Sol. - 4 Str.	4 (6-1, 7-1)								
YRAL1CU		1 Str. - 2 Str.	1 Str. - 2 Str.	2 (6-1, 7-1)								
YRA25U		1/0 Str.	1/0 Str.	1/0 (6-1)								
YRA26U		2/0 Str.	2/0 Str.	2/0 (6-1)								
YRA27U		3/0 Str.	3/0 Str.	—								
YRA28U	4/0 Str.	4/0 Str.	—									
YCAK28A-2G1*	2	—	4/0 Str.	—	1-1/4	3	5-5/8	317 705	—	U317* U705*	†	‡
YCAK29A-2G1*		250	250	4/0 (6-1)								
YCAK31AG1*	1	350	350	—	1-1/2	—	6-1/4	608 786	—	U608* U786*	†	‡
YCAK31A-2G1*	—	—	—									
YCAK34A-2G3*	500	500	—									
YCAK36A-2G1*	2	—	600	—	1-1/2	3	6-1/2	608 786	—	U608* U786*	†	‡
YCAK39A-2G2*		—	750	—								
YCAK44A-2G2*		—	1000	—								
YCAK44A-2G2*	—	—	—	—	1-11/16	—	7-1/2	302	—	—	S44ART*	P44ART*

* Overlap crimps.

** YRA1CU-1 not recommended for 2 comp. conductor.

† U Die with adapter PT-6515.

‡ U Die with adapter PUADP-1.

For faster installations use BURNDY® PATRIOT® family of battery tools.

TABLE OF CONTENTS

ACSR Conductor Accessories

Deadends Single Pad	I-3
Deadends Double Pad	I-4
Deadends Single Pad EHV	I-5
Deadends Double Pad EHV	I-6
Splices	I-7
Splices EHV	I-8
Terminals	I-9
Terminals EHV	I-10
Loop Sleeve	I-11
Loop Sleeve EHV	I-12
T-Tap	I-13
T-Tap with Pad	I-14
Repair Sleeve	I-15

ACSS Conductor Accessories

Deadends Single Pad	I-16
Deadends Double Pad	I-17
Deadends Single Pad EHV	I-18
Deadends Double Pad EHV	I-19
Splices	I-20
Splices EHV	I-21
Terminals	I-22
Terminals EHV	I-23
Loop Sleeve	I-24
Loop Sleeve EHV	I-25
T-Tap	I-26
T-Tap with Pad	I-27
Repair Sleeve	I-28

AAC/ACAR Conductor Accessories

Deadends Single Pad	I-29
Deadends Single Pad EHV	I-30
Deadends Double Pad	I-31
Deadends Double Pad EHV	I-32
Splices (Stranded)	I-33
Splices (ACAR)	I-34
Splices EHV (Stranded)	I-35
Splices EHV (ACAR)	I-36
Terminals	I-37
Terminals EHV	I-38
Loop Sleeve	I-39
Loop Sleeve EHV	I-40
T-Tap with Pad	I-41
T-Tap	I-42
Repair Sleeve	I-43

Steel / Alumoweld Conductor Accessories

Terminal	I-44
Splices (Alumoweld)	I-45
Splices (EHS Steel)	I-46

ACCC® Conductor Accessories

Deadend Kit	I-47
Splices	I-49
Terminals	I-50
T-Tap with Tap	I-51
Repair Sleeve	I-52



TABLE OF CONTENTS

(Continued)

IMPLO® Implosive Connectors

ACSR

Joints, Deadends, Jumper Terminals, Repair Sleeves	I-55 - I-57
---	-------------

ACSS

Joints, Deadends, Jumper Terminals, Repair Sleeves	I-58
---	------

ACSS/TW

Joints, Deadends, Jumper Terminals, Repair Sleeves	I-59
---	------

AAC/AAAC/ASC

Joints, Deadends, Jumper Terminals, Repair Sleeves	I-60
---	------

I-2

Static (Sky) Wire

Joints, Deadends	I-61
------------------	------

IMPLO® Tool Kit

I-61

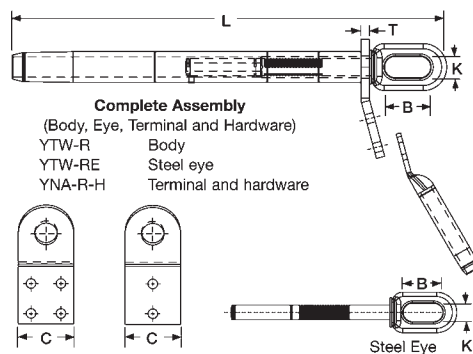
Motion Control Accessories

EHV Accessories	I-62
Bolted Bundle Cable Spacers	I-63
Spacer Damper	I-68
Rigid Spacers	I-69

**TYPE YTW-R-REK,
YTW-R, YTW-RE,
YNA-R-H**

**Single Pad Full Tension
Deadend for ACSR Conductor**

Full tension compression deadend for ACSR transmission lines up to and including 230 kV. Standard 15° NEMA tap pad provides either 0° or 30° tap when YNA-R15 terminal is used.



4-hole pad supplied on 556.5 kcmil and above.

2-hole pad supplied on less than 556.5 kcmil.

Conductor Name	ACSR		Stranding		Single Pad		Inches			Body Die* ‡	Steel Eye*	Inches			Eye Die	Terminal with Hardware	Term Die* ‡
	Size kcmil	Alum.	Steel	Complete Assembly	Alum. Body	L	C	T	B			K	W				
Linnit	336.4	26	7	YTW32R34REK	YTW32R	17.53	2.25	0.50	L717	YTW34RE	2.50	0.88	0.62	L718	YNA32R15H	L717	
Oriole	336.4	30	7	YTW32R33REK	YTW32R	17.53	2.25	0.50	L717	YTW33RE	2.50	0.88	0.62	L718	YNA32R15H	L717	
Ibis	397.5	26	7	YTW34R34REK	YTW34R	17.60	2.25	0.50	L719	YTW34RE	2.50	0.88	0.62	L718	YNA34R15H	L719	
Flicker	477	24	7	YTW36R362REK	YTW36R	19.41	2.25	0.50	L720	YTW362RE	2.50	0.88	0.62	L721	YNA36R15H	L720	
Hawk	477	26	7	YTW36R36REK	YTW36R	19.41	2.25	0.50	L720	YTW36RE	2.50	0.88	0.62	L721	YNA36R15H	L720	
Parakeet	556.5	24	7	YTW39R43REK	YTW39R	19.66	2.25	0.50	L722	YTW43RE	2.50	0.88	0.69	L723	YNA39R15H	L722	
Dove	556.5	26	7	YTW39R43REK	YTW39R	19.66	2.25	0.50	L722	YTW43RE	2.50	0.88	0.69	L723	YNA39R15H	L722	
Peacock	605	24	7	YTW43R43REK	YTW43R	20.49	3.25	0.50	L724	YTW43RE	2.50	0.88	0.69	L723	YNA43R15H	L724	
Squab	605	26	7	YTW43R43REK	YTW43R	20.49	3.25	0.50	L724	YTW43RE	2.50	0.88	0.69	L723	YNA43R15H	L724	
Rook	636	24	7	YTW43R43REK	YTW43R	20.49	3.25	0.50	L724	YTW43RE	2.50	0.88	0.69	L723	YNA43R15H	L724	
Grosbeak	636	26	7	YTW43R43REK	YTW43R	20.49	3.25	0.50	L724	YTW43RE	2.50	0.88	0.69	L723	YNA43R15H	L724	
Flamingo	666.6	24	7	YTW43R43REK	YTW43R	20.49	3.25	0.50	L724	YTW43RE	2.50	0.88	0.69	L723	YNA43R15H	L724	
Starling	715.5	26	7	YTW451R48REK	YTW451R	25.41	3.25	0.50	L725	YTW48RE	2.69	1.25	0.75	L726	YNA451R15H	L725	
Cuckoo	795	24	7	YTW451R45REK	YTW451R	25.41	3.25	0.50	L725	YTW45RE	2.69	1.25	0.75	L726	YNA451R15H	L725	
Drake	795	26	7	YTW451R48REK	YTW451R	25.41	3.25	0.50	L725	YTW48RE	2.69	1.25	0.75	L726	YNA451R15H	L725	
Tem	795	45	7	YTW451R481REK	YTW451R	25.41	3.25	0.50	L725	YTW481RE	2.69	1.25	0.75	L726	YNA451R15H	L725	
Condor	795	54	7	YTW451R45REK	YTW451R	25.41	3.25	0.50	L725	YTW45RE	2.69	1.25	0.75	L726	YNA451R15H	L725	
Ruddy	900	45	7	YTW48R481REK	YTW48R	25.50	3.25	0.50	L727	YTW481RE	2.69	1.25	0.75	L726	YNA49R15H	L727	
Rail	954	45	7	YTW48R481REK	YTW48R	25.50	3.25	0.50	L727	YTW481RE	2.69	1.25	0.75	L726	YNA49R15H	L727	
Cardinal	954	54	7	YTW48R48REK	YTW48R	25.50	3.25	0.50	L727	YTW48RE	2.69	1.25	0.75	L726	YNA49R15H	L727	
Ortolan	1033.5	45	7	YTW49R483REK	YTW49R	27.35	3.25	0.50	L727	YTW483RE	2.69	1.25	1.00	L726	YNA49R15H	L727	
Curlow	1033.5	54	7	YTW49R50REK	YTW49R	27.35	3.25	0.50	L727	YTW50RE	2.69	1.25	1.00	L726	YNA49R15H	L727	
Bluejay	1113	45	7	YTW49R483REK	YTW49R	27.35	3.25	0.50	L727	YTW483RE	2.69	1.25	1.00	L726	YNA49R15H	L727	
Finch	1113	54	19	YTW52R50REK	YTW52R	31.55	3.25	0.50	L728	YTW50RE	2.69	1.25	1.00	L726	YNA52R15H	L728	
Bunting	1192.5	45	7	YTW52R521REK	YTW52R	31.55	4.00	0.62	L728	YTW521RE	2.69	1.25	1.00	L726	YNA52R15H	L728	
Bittern	1272	45	7	YTW52R521REK	YTW52R	31.55	4.00	0.62	L728	YTW521RE	2.69	1.25	1.00	L726	YNA52R15H	L728	
Pheasant	1272	54	19	YTW52R56REK	YTW52R	31.55	4.00	0.62	L728	YTW56RE	2.69	1.25	1.00	L726	YNA52R15H	L728	
Dipper	1351.5	45	7	YTW52R521REK	YTW52R	31.55	4.00	0.62	L728	YTW521RE	2.69	1.25	1.00	L726	YNA52R15H	L728	
Martin	1351.5	54	19	YTW52R56REK	YTW52R	31.55	4.00	0.62	L728	YTW56RE	2.69	1.25	1.00	L726	YNA52R15H	L728	
Nuthatch	1510.5	45	7	YTW549R521REK	YTW549R	31.55	4.00	0.62	L729	YTW521RE	2.69	1.25	1.00	L726	YNA56R15H	L729	
Parrot	1510.5	54	19	YTW549R56REK	YTW549R	31.55	4.00	0.62	L729	YTW56RE	2.69	1.25	1.00	L726	YNA56R15H	L729	
Lapwing	1590	45	7	YTW549R549REK	YTW549R	31.55	4.00	0.62	L729	YTW549RE	2.69	1.25	1.00	L726	YNA56R15H	L729	
Falcon	1590	54	19	YTW56R590REK	YTW56R	31.99	4.00	0.62	L729	YTW590RE	2.69	1.25	1.00	L726	YNA56R15H	L729	
Chukar	1780	84	19	YTW58R58REK	YTW58R	32.99	4.00	0.62	L735	YTW58RE	2.69	1.25	1.00	L726	YNA58R15H	L735	
Bluebird	2156	84	19	YTW59R59REK	YTW59R	33.34	4.00	0.62	L735	YTW59RE	2.69	1.25	1.00	L726	YNA59R15H	L735	
Kiwi	2167	72	7	YTW59R591REK	YTW59R	33.34	4.00	0.62	L735	YTW591RE	2.69	1.25	1.00	L726	YNA59R15H	L735	

Complete Assembly: Includes Aluminum body, Steel eye, 15 degree terminal and aluminum hardware.
For stainless steel hardware add SS to end of catalog number for complete assembly (example: YTW32R34REKSS) or to terminal (YNA32R15HSS) if ordered separately.

For assembly without terminal and hardware add NT to end of complete assembly catalog number (example: YTW32R34REKNT).
Two hole NEMA pads standard on conductors up to 556.5 kcmil; Four hole NEMA pads on larger conductor sizes.

* Overlap crimps.
‡ Wide dies may be used on aluminum only (no steel), add suffix "W" to part number (example: L725W).

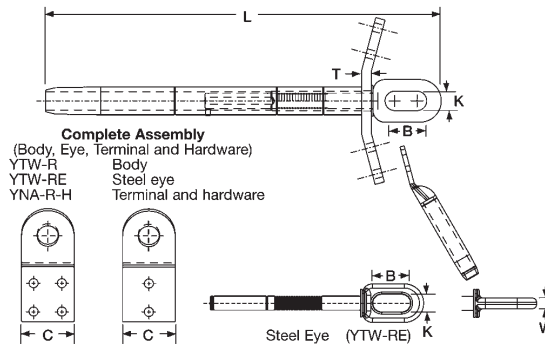
Transmission ACSR Deadends

BURNDY®

TYPES YTW-RD-REK, YTW-RD, YTW-RE, YNA-R-H

Double Pad Full Tension Deadend for ACSR Conductor

Full tension compression deadend for ACSR transmission lines up to and including 230 kV. Standard 15° NEMA tap pad provides either 0° or 30° tap when YNA-R15 terminal is used.



4-hole pad supplied on 556.5 kcmil and above.

2-hole pad supplied on less than 556.5 kcmil.

I-4

Conductor Name	ACSR		Stranding		Double Pad		Inches			Body Die*‡	Steel Eye*	Inches			Eye Die	Terminal with Hardware	Term Die*‡
	Size kcmil	Alum.	Steel	Complete Assembly	Alum. Body	L	C	T	B			K	W				
Linnet	336.4	26	7	YTW32RD34REK	YTW32RD	17.53	2.25	0.50	L717	YTW34RE	2.50	0.88	0.62	L718	YNA32R15H	L717	
Oriole	336.4	30	7	YTW32RD33REK	YTW32RD	17.53	2.25	0.50	L718	YTW33RE	2.50	0.88	0.62	L719	YNA32R15H	L717	
Ibis	397.5	26	7	YTW34RD34REK	YTW34RD	17.60	2.25	0.50	L719	YTW34RE	2.50	0.88	0.62	L718	YNA34R15H	L719	
Flicker	477	24	7	YTW36RD362REK	YTW36RD	15.44	2.25	0.50	L720	YTW362RE	2.50	0.88	0.62	L721	YNA36R15H	L720	
Hawk	477	26	7	YTW36RD36REK	YTW36RD	19.41	2.25	0.50	L720	YTW36RE	2.50	0.88	0.62	L721	YNA36R15H	L720	
Parakeet	556.5	24	7	YTW39RD43REK	YTW39RD	19.66	2.25	0.50	L722	YTW43RE	2.50	0.88	0.69	L723	YNA39R15H	L722	
Dove	556.5	26	7	YTW39RD43REK	YTW39RD	19.66	2.25	0.50	L722	YTW43RE	2.50	0.88	0.69	L723	YNA39R15H	L722	
Peacock	605	24	7	YTW43RD43REK	YTW43RD	20.49	3.25	0.50	L724	YTW43RE	2.50	0.88	0.69	L723	YNA43R15H	L724	
Squab	605	26	7	YTW43RD43REK	YTW43RD	20.49	3.25	0.50	L724	YTW43RE	2.50	0.88	0.69	L723	YNA43R15H	L724	
Rook	636	24	7	YTW43RD43REK	YTW43RD	20.49	3.25	0.50	L724	YTW43RE	2.50	0.88	0.69	L723	YNA43R15H	L724	
Grosbeak	636	26	7	YTW43RD43REK	YTW43RD	20.49	3.25	0.50	L724	YTW43RE	2.50	0.88	0.69	L723	YNA43R15H	L724	
Flamingo	666.6	24	7	YTW43RD43REK	YTW43RD	20.49	3.25	0.50	L724	YTW43RE	2.50	0.88	0.69	L723	YNA43R15H	L724	
Starling	715.5	26	7	YTW451RD48REK	YTW451RD	25.41	3.25	0.50	L725	YTW48RE	2.69	1.25	0.75	L726	YNA451R15H	L725	
Cuckoo	795	24	7	YTW451RD45REK	YTW451RD	25.41	3.25	0.50	L725	YTW45RE	2.69	1.25	0.75	L726	YNA451R15H	L725	
Drake	795	26	7	YTW451RD48REK	YTW451RD	25.41	3.25	0.50	L725	YTW48RE	2.69	1.25	0.75	L726	YNA451R15H	L725	
Tem	795	45	7	YTW451RD481REK	YTW451RD	25.41	3.25	0.50	L725	YTW481RE	2.69	1.25	0.75	L726	YNA451R15H	L725	
Condor	795	54	7	YTW451RD45REK	YTW451RD	25.41	3.25	0.50	L725	YTW45RE	2.69	1.25	0.75	L726	YNA451R15H	L725	
Ruddy	900	45	7	YTW48RD481REK	YTW48RD	25.50	3.25	0.50	L727	YTW481RE	2.69	1.25	0.75	L726	YNA49R15H	L727	
Rail	954	45	7	YTW48RD481REK	YTW48RD	25.50	3.25	0.50	L727	YTW481RE	2.69	1.25	0.75	L726	YNA49R15H	L727	
Cardinal	954	54	7	YTW48RD48REK	YTW48RD	25.50	3.25	0.50	L727	YTW48RE	2.69	1.25	0.75	L726	YNA49R15H	L727	
Ortolan	1033.5	45	7	YTW49RD483REK	YTW49RD	27.35	3.25	0.50	L727	YTW483RE	2.69	1.25	1.00	L726	YNA49R15H	L727	
Curlew	1033.5	54	7	YTW49RD50REK	YTW49RD	27.35	3.25	0.50	L727	YTW50RE	2.69	1.25	1.00	L726	YNA49R15H	L727	
Bluejay	1113	45	7	YTW49RD483REK	YTW49RD	27.35	3.25	0.50	L727	YTW483RE	2.69	1.25	1.00	L726	YNA49R15H	L727	
Finch	1113	54	19	YTW52RD50REK	YTW52RD	31.55	3.25	0.50	L728	YTW50RE	2.69	1.25	1.00	L726	YNA52R15H	L728	
Bunting	1192.5	45	7	YTW52RD521REK	YTW52RD	31.55	4.00	0.62	L728	YTW521RE	2.69	1.25	1.00	L726	YNA52R15H	L728	
Bittern	1272	45	7	YTW52RD521REK	YTW52RD	31.55	4.00	0.62	L728	YTW521RE	2.69	1.25	1.00	L726	YNA52R15H	L728	
Pheasant	1272	54	19	YTW52RD56REK	YTW52RD	31.55	4.00	0.62	L728	YTW56RE	2.69	1.25	1.00	L726	YNA52R15H	L728	
Dipper	1351.5	45	7	YTW52RD521REK	YTW52RD	31.55	4.00	0.62	L728	YTW521RE	2.69	1.25	1.00	L726	YNA52R15H	L728	
Martin	1351.5	54	19	YTW52RD56REK	YTW52RD	31.55	4.00	0.62	L728	YTW56RE	2.69	1.25	1.00	L726	YNA52R15H	L728	
Nuthatch	1510.5	45	7	YTW549RD521REK	YTW549RD	31.55	4.00	0.62	L729	YTW521RE	2.69	1.25	1.00	L726	YNA56R15H	L729	
Parrot	1510.5	54	19	YTW549RD56REK	YTW549RD	31.55	4.00	0.62	L729	YTW56RE	2.69	1.25	1.00	L726	YNA56R15H	L729	
Lapwing	1590	45	7	YTW549RD549REK	YTW549RD	31.55	4.00	0.62	L729	YTW549RE	2.69	1.25	1.00	L726	YNA56R15H	L729	
Falcon	1590	54	19	YTW56RD590REK	YTW56RD	31.99	4.00	0.62	L729	YTW590RE	2.69	1.25	1.00	L726	YNA56R15H	L729	
Chukar	1780	84	19	YTW58RD58REK	YTW58RD	32.99	4.00	0.62	L735	YTW58RE	2.69	1.25	1.00	L726	YNA58R15H	L735	
Bluebird	2156	84	19	YTW59RD59REK	YTW59RD	33.34	4.00	0.62	L735	YTW59RE	2.69	1.25	1.00	L726	YNA59R15H	L735	
Kiwi	2167	72	7	YTW59RD591REK	YTW59RD	33.34	4.00	0.62	L735	YTW591RE	2.69	1.25	1.00	L726	YNA59R15H	L735	

Complete Assembly: Includes Aluminum body, Steel eye, 15 degree terminal and aluminum hardware. For stainless steel hardware add SS to end of catalog number for complete assembly (example: YTW32R34REKSS) or to terminal (YNA32R15HSS) if ordered separately.

For assembly without terminal and hardware add NT to end of complete assembly catalog number (example: YTW32R34REKNT). Two hole NEMA pads standard on conductors up to 556.5 kcmil; Four hole NEMA pads on larger conductor sizes.

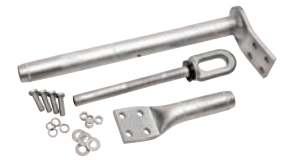
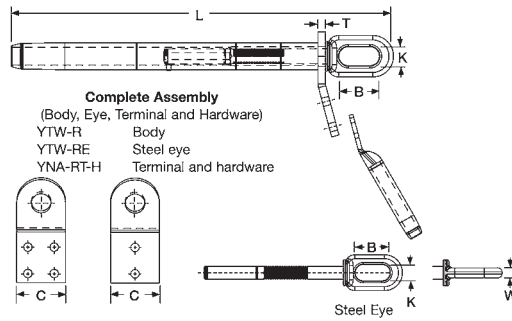
* Overlap crimps.

‡ Wide dies may be used on aluminum only (no steel), add suffix "W" to part number (example: L725W).

TYPES YTW-RT-REK,
YTW-RT, YTW-RE,
YNA-RT-H EHV

Single Pad, EHV Full Tension
Deadend for ACSR Conductor

Full tension compression deadend for ACSR transmission lines at 345 kV and over. Standard 15° NEMA tap pad provides either 0° or 30° tap when YNA-R15 terminal is used.



4-hole pad supplied on 556.5 kcmil and above.

2-hole pad supplied on less than 556.5 kcmil.

Conductor Name	ACSR		Stranding		Single Pad		Inches			Body Die†‡	Steel Eye*	Inches			Eye Die	Terminal with Hardware	Term Die†‡
	Size kcmil	Alum.	Steel	Complete Assembly	Alum. Body	L	C	T	B			K	W				
Linnet	336.4	26	7	YTW32RT34REK	YTW32RT	17.53	2.25	0.50	L717	YTW34RE	2.50	0.88	0.62	L718	YNA32RT15H	L717	
Oriole	336.4	30	7	YTW32RT33REK	YTW32RT	17.53	2.25	0.50	L717	YTW33RE	2.50	0.88	0.62	L718	YNA32RT15H	L717	
Ibis	397.5	26	7	YTW34RT34REK	YTW34RT	17.60	2.25	0.50	L719	YTW34RE	2.50	0.88	0.62	L718	YNA34RT15H	L719	
Flicker	477	24	7	YTW36RT362REK	YTW36RT	19.41	2.25	0.50	L720	YTW362RE	2.50	0.88	0.62	L721	YNA36RT15H	L720	
Hawk	477	26	7	YTW36RT36REK	YTW36RT	19.41	2.25	0.50	L720	YTW36RE	2.50	0.88	0.62	L721	YNA36RT15H	L720	
Parakeet	556.5	24	7	YTW39RT43REK	YTW39RT	19.66	2.25	0.50	L722	YTW43RE	2.50	0.88	0.69	L723	YNA39RT15H	L722	
Dove	556.5	26	7	YTW39RT43REK	YTW39RT	19.66	2.25	0.50	L722	YTW43RE	2.50	0.88	0.69	L723	YNA39RT15H	L722	
Peacock	605	24	7	YTW43RT43REK	YTW43RT	20.49	3.25	0.50	L724	YTW43RE	2.50	0.88	0.69	L723	YNA43RT15H	L724	
Squab	605	26	7	YTW43RT43REK	YTW43RT	20.49	3.25	0.50	L724	YTW43RE	2.50	0.88	0.69	L723	YNA43RT15H	L724	
Rook	636	24	7	YTW43RT43REK	YTW43RT	20.49	3.25	0.50	L724	YTW43RE	2.50	0.88	0.69	L723	YNA43RT15H	L724	
Grosbeak	636	26	7	YTW43RT43REK	YTW43RT	20.49	3.25	0.50	L724	YTW43RE	2.50	0.88	0.69	L723	YNA43RT15H	L724	
Flamingo	666.6	24	7	YTW43RT43REK	YTW43RT	20.49	3.25	0.50	L724	YTW43RE	2.50	0.88	0.69	L723	YNA43RT15H	L724	
Starling	715.5	26	7	YTW451RT48REK	YTW451RT	25.41	3.25	0.50	L725	YTW48RE	2.69	1.25	0.75	L726	YNA451RT15H	L725	
Cuckoo	795	24	7	YTW451RT45REK	YTW451RT	25.41	3.25	0.50	L725	YTW45RE	2.69	1.25	0.75	L726	YNA451RT15H	L725	
Drake	795	26	7	YTW451RT48REK	YTW451RT	25.41	3.25	0.50	L725	YTW48RE	2.69	1.25	0.75	L726	YNA451RT15H	L725	
Tern	795	45	7	YTW451RT481REK	YTW451RT	25.41	3.25	0.50	L725	YTW481RE	2.69	1.25	0.75	L726	YNA451RT15H	L725	
Condor	795	54	7	YTW451RT45REK	YTW451RT	25.41	3.25	0.50	L725	YTW45RE	2.69	1.25	0.75	L726	YNA451RT15H	L725	
Ruddy	900	45	7	YTW48RT481REK	YTW48RT	25.50	3.25	0.50	L727	YTW481RE	2.69	1.25	0.75	L726	YNA49RT15H	L727	
Rail	954	45	7	YTW48RT481REK	YTW48RT	25.50	3.25	0.50	L727	YTW481RE	2.69	1.25	0.75	L726	YNA49RT15H	L727	
Cardinal	954	54	7	YTW48RT48REK	YTW48RT	25.50	3.25	0.50	L727	YTW48RE	2.69	1.25	0.75	L726	YNA49RT15H	L727	
Ortolan	1033.5	45	7	YTW49RT483REK	YTW49RT	27.35	3.25	0.50	L727	YTW483RE	2.69	1.25	1.00	L726	YNA49RT15H	L727	
Curlew	1033.5	54	7	YTW49RT50REK	YTW49RT	27.35	3.25	0.50	L727	YTW50RE	2.69	1.25	1.00	L726	YNA49RT15H	L727	
Bluejay	1113	45	7	YTW49RT483REK	YTW49RT	27.35	3.25	0.50	L727	YTW483RE	2.69	1.25	1.00	L726	YNA49RT15H	L727	
Finch	1113	54	19	YTW52RT50REK	YTW52RT	31.55	3.25	0.50	L728	YTW50RE	2.69	1.25	1.00	L726	YNA52RT15H	L728	
Bunting	1192.5	45	7	YTW52RT521REK	YTW52RT	31.55	4.00	0.62	L728	YTW521RE	2.69	1.25	1.00	L726	YNA52RT15H	L728	
Bittern	1272	45	7	YTW52RT521REK	YTW52RT	31.55	4.00	0.62	L728	YTW521RE	2.69	1.25	1.00	L726	YNA52RT15H	L728	
Pheasant	1272	54	19	YTW52RT56REK	YTW52RT	31.55	4.00	0.62	L728	YTW56RE	2.69	1.25	1.00	L726	YNA52RT15H	L728	
Dipper	1351.5	45	7	YTW52RT521REK	YTW52RT	31.55	4.00	0.62	L728	YTW521RE	2.69	1.25	1.00	L726	YNA52RT15H	L728	
Martin	1351.5	54	19	YTW52RT56REK	YTW52RT	31.55	4.00	0.62	L728	YTW56RE	2.69	1.25	1.00	L726	YNA52RT15H	L728	
Nuthatch	1510.5	45	7	YTW549RT521REK	YTW549RT	31.55	4.00	0.62	L729	YTW521RE	2.69	1.25	1.00	L726	YNA56RT15H	L729	
Parrot	1510.5	54	19	YTW549RT56REK	YTW549RT	31.55	4.00	0.62	L729	YTW56RE	2.69	1.25	1.00	L726	YNA56RT15H	L729	
Lapwing	1590	45	7	YTW549RT549REK	YTW549RT	31.55	4.00	0.62	L729	YTW549RE	2.69	1.25	1.00	L726	YNA56RT15H	L729	
Falcon	1590	54	19	YTW56RT590REK	YTW56RT	31.99	4.00	0.62	L729	YTW590RE	2.69	1.25	1.00	L726	YNA56RT15H	L729	
Chukar	1780	84	19	YTW58RT58REK	YTW58RT	32.99	4.00	0.62	L735	YTW58RE	2.69	1.25	1.00	L726	YNA58RT15H	L735	
Bluebird	2156	84	19	YTW59RT59REK	YTW59RT	33.34	4.00	0.62	L735	YTW59RE	2.69	1.25	1.00	L726	YNA59RT15H	L735	
Kiwi	2167	72	7	YTW59RT591REK	YTW59RT	33.34	4.00	0.62	L735	YTW591RE	2.69	1.25	1.00	L726	YNA59RT15H	L735	

Complete Assembly: Includes Aluminum body, Steel eye, 15 degree terminal and aluminum hardware.
For stainless steel hardware add SS to end of catalog number for complete assembly (example: YTW32R34REKSS) or to terminal (YNA32R15HSS) if ordered separately.

For assembly without terminal and hardware add NT to end of complete assembly catalog number (example: YTW32R34REKNT).
Two hole NEMA pads standard on conductors up to 556.5 kcmil; Four hole NEMA pads on larger conductor sizes.

* Overlap crimps.
† Wide dies may be used on aluminum only (no steel), add suffix "W" to part number (example: L725W).

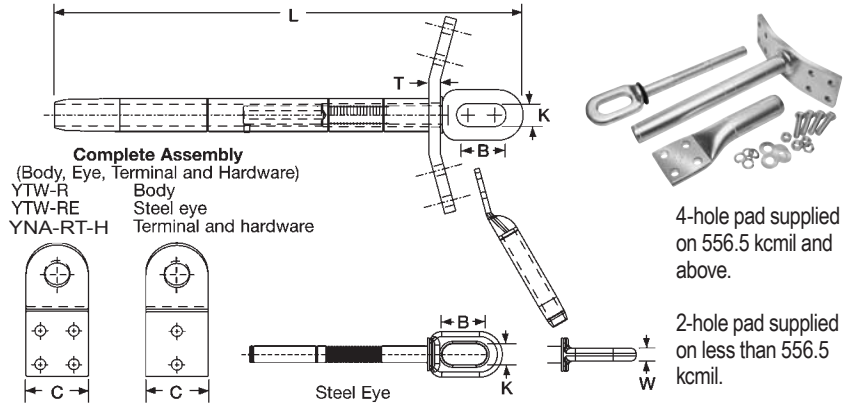
Transmission ACSR Deadends-EHV

BURNDY®

TYPES YTW-RDT-REK, YTW-RDT, YTW-RE, YNA-RT-H EHV

Double Pad, EHV Full Tension Deadend for ACSR

Full tension compression deadend for ACSR transmission lines at 345 kV and over. Standard 15° NEMA tap pad provides either 0° or 30° tap when YNA-R15 terminal is used.



4-hole pad supplied on 556.5 kcmil and above.

2-hole pad supplied on less than 556.5 kcmil.

I-6

ACSR Conductor Name	Size kcmil	Stranding		Double Pad		Inches			Body Die*‡	Steel Eye*	Inches			Eye Die	Terminal with Hardware	Term Die*‡
		Alum.	Steel	Complete Assembly	Alum. Body	L	C	T			B	K	W			
Linnet	336.4	26	7	YTW32RDT34REK	YTW32RDT	17.53	2.25	0.50	L717	YTW34RE	2.50	0.88	0.62	L718	YNA32RT15H	L717
Oriole	336.4	30	7	YTW32RDT33REK	YTW32RDT	17.53	2.25	0.50	L717	YTW33RE	2.50	0.88	0.62	L718	YNA32RT15H	L717
Ibis	397.5	26	7	YTW34RDT34REK	YTW34RDT	17.60	2.25	0.50	L719	YTW34RE	2.50	0.88	0.62	L718	YNA34RT15H	L719
Flicker	477	24	7	YTW36RDT362REK	YTW36RDT	15.44	2.25	0.50	L720	YTW362RE	2.50	0.88	0.62	L721	YNA36RT15H	L720
Hawk	477	26	7	YTW36RDT36REK	YTW36RDT	19.41	2.25	0.50	L720	YTW36RE	2.50	0.88	0.62	L721	YNA36RT15H	L720
Parakeet	556.5	24	7	YTW39RDT43REK	YTW39RDT	19.66	2.25	0.50	L722	YTW43RE	2.50	0.88	0.69	L723	YNA39RT15H	L722
Dove	556.5	26	7	YTW39RDT43REK	YTW39RDT	19.66	2.25	0.50	L722	YTW43RE	2.50	0.88	0.69	L723	YNA39RT15H	L722
Peacock	605	24	7	YTW43RDT43REK	YTW43RDT	20.49	3.25	0.50	L724	YTW43RE	2.50	0.88	0.69	L723	YNA43RT15H	L724
Squab	605	26	7	YTW43RDT43REK	YTW43RDT	20.49	3.25	0.50	L724	YTW43RE	2.50	0.88	0.69	L723	YNA43RT15H	L724
Rook	636	24	7	YTW43RDT43REK	YTW43RDT	20.49	3.25	0.50	L724	YTW43RE	2.50	0.88	0.69	L723	YNA43RT15H	L724
Grosbeak	636	26	7	YTW43RDT43REK	YTW43RDT	20.49	3.25	0.50	L724	YTW43RE	2.50	0.88	0.69	L723	YNA43RT15H	L724
Flamingo	666.6	24	7	YTW43RDT43REK	YTW43RDT	20.49	3.25	0.50	L724	YTW43RE	2.50	0.88	0.69	L723	YNA43RT15H	L724
Starling	715.5	26	7	YTW451RDT48REK	YTW451RDT	25.41	3.25	0.50	L725	YTW48RE	2.69	1.25	0.75	L726	YNA451RT15H	L725
Cuckoo	795	24	7	YTW451RDT45REK	YTW451RDT	25.41	3.25	0.50	L725	YTW45RE	2.69	1.25	0.75	L726	YNA451RT15H	L725
Drake	795	26	7	YTW451RDT48REK	YTW451RDT	25.41	3.25	0.50	L725	YTW48RE	2.69	1.25	0.75	L726	YNA451RT15H	L725
Tem	795	45	7	YTW451RDT481REK	YTW451RDT	25.41	3.25	0.50	L725	YTW481RE	2.69	1.25	0.75	L726	YNA451RT15H	L725
Condor	795	54	7	YTW451RDT45REK	YTW451RDT	25.41	3.25	0.50	L725	YTW45RE	2.69	1.25	0.75	L726	YNA451RT15H	L725
Ruddy	900	45	7	YTW48RDT481REK	YTW48RDT	25.50	3.25	0.50	L727	YTW481RE	2.69	1.25	0.75	L726	YNA49RT15H	L727
Rail	954	45	7	YTW48RDT481REK	YTW48RDT	25.50	3.25	0.50	L727	YTW481RE	2.69	1.25	0.75	L726	YNA49RT15H	L727
Cardinal	954	54	7	YTW48RDT48REK	YTW48RDT	25.50	3.25	0.50	L727	YTW48RE	2.69	1.25	0.75	L726	YNA49RT15H	L727
Oriole	1033.5	45	7	YTW49RDT483REK	YTW49RDT	27.35	3.25	0.50	L727	YTW483RE	2.69	1.25	1.00	L726	YNA49RT15H	L727
Curlew	1033.5	54	7	YTW49RDT50REK	YTW49RDT	27.35	3.25	0.50	L727	YTW50RE	2.69	1.25	1.00	L726	YNA49RT15H	L727
Bluejay	1113	45	7	YTW49RDT483REK	YTW49RDT	27.35	3.25	0.50	L727	YTW483RE	2.69	1.25	1.00	L726	YNA49RT15H	L727
Finch	1113	54	19	YTW52RDT50REK	YTW52RDT	31.55	3.25	0.50	L728	YTW50RE	2.69	1.25	1.00	L726	YNA52RT15H	L728
Bunting	1192.5	45	7	YTW52RDT521REK	YTW52RDT	31.55	4.00	0.62	L728	YTW521RE	2.69	1.25	1.00	L726	YNA52RT15H	L728
Bittern	1272	45	7	YTW52RDT521REK	YTW52RDT	31.55	4.00	0.62	L728	YTW521RE	2.69	1.25	1.00	L726	YNA52RT15H	L728
Pheasant	1272	54	19	YTW52RDT56REK	YTW52RDT	31.55	4.00	0.62	L728	YTW56RE	2.69	1.25	1.00	L726	YNA52RT15H	L728
Dipper	1351.5	45	7	YTW52RDT521REK	YTW52RDT	31.55	4.00	0.62	L728	YTW521RE	2.69	1.25	1.00	L726	YNA52RT15H	L728
Martin	1351.5	54	19	YTW52RDT56REK	YTW52RDT	31.55	4.00	0.62	L728	YTW56RE	2.69	1.25	1.00	L726	YNA52RT15H	L728
Nuthatch	1510.5	45	7	YTW549RDT521REK	YTW549RDT	31.55	4.00	0.62	L729	YTW521RE	2.69	1.25	1.00	L726	YNA56RT15H	L729
Parrot	1510.5	54	19	YTW549RDT56REK	YTW549RDT	31.55	4.00	0.62	L729	YTW56RE	2.69	1.25	1.00	L726	YNA56RT15H	L729
Lapwing	1590	45	7	YTW549RDT549REK	YTW549RDT	31.55	4.00	0.62	L729	YTW549RE	2.69	1.25	1.00	L726	YNA56RT15H	L729
Falcon	1590	54	19	YTW56RDT590REK	YTW56RDT	31.99	4.00	0.62	L729	YTW590RE	2.69	1.25	1.00	L726	YNA56RT15H	L729
Chukar	1780	84	19	YTW58RDT58REK	YTW58RDT	32.99	4.00	0.62	L735	YTW58RE	2.69	1.25	1.00	L726	YNA58RT15H	L735
Bluebird	2156	84	19	YTW59RDT59REK	YTW59RDT	33.34	4.00	0.62	L735	YTW59RE	2.69	1.25	1.00	L726	YNA59RT15H	L735
Kiwi	2167	72	7	YTW59RDT591REK	YTW59RDT	33.34	4.00	0.62	L735	YTW591RE	2.69	1.25	1.00	L726	YNA59RT15H	L735

Complete Assembly: Includes Aluminum body, Steel eye, 15 degree terminal and aluminum hardware. For stainless steel hardware add SS to end of catalog number for complete assembly (example: YTW32R34REKSS) or to terminal (YNA32R15HSS) if ordered separately.

For assembly without terminal and hardware add NT to end of complete assembly catalog number (example: YTW32R34REKNT). Two hole NEMA pads standard on conductors up to 556.5 kcmil; Four hole NEMA pads on larger conductor sizes.

* Overlap crimps.

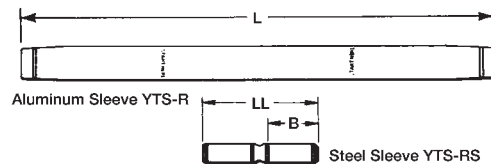
‡ Wide dies may be used on aluminum only (no steel), add suffix "W" to part number (example: L725W).

TYPE YTS-R-RS

Full Tension Splice Kit
for ACSR Conductor



Full tension, two-piece, compression splice for ACSR transmission lines up to and including 230 kV. Outer aluminum sleeve has filler hole and plug for PENETROX™ joint compound. Kit includes the outer aluminum and inner steel sleeve.



Conductor Name	ACSR		Splice Kit	Aluminum Sleeve			Steel Sleeve			
	Size kcmil	Stranding		Inches		Die*‡	Inches		Die*	
		Alum.		Steel	L		O.D.	LL		B
Linnet	336.4	26	7	YTS32R34RS	17.30	1.19	L717	5.74	2.45	L718
Oriole	336.4	30	7	YTS32R33RS	17.30	1.19	L717	5.74	2.45	L718
Ibis	397.5	26	7	YTS34R34RS	17.30	1.28	L719	5.74	2.45	L718
Flicker	477	24	7	YTS36R362RS	18.16	1.41	L720	5.88	2.46	L721
Hawk	477	26	7	YTS36R36RS	18.16	1.41	L720	5.76	2.46	L721
Parakeet	556.5	24	7	YTS39R43RS	19.88	1.50	L722	5.90	2.47	L723
Dove	556.5	26	7	YTS39R43RS	19.88	1.50	L722	5.90	2.47	L723
Peacock	605	24	7	YTS43R43RS	21.44	1.61	L724	5.90	2.47	L723
Squab	605	26	7	YTS43R43RS	21.44	1.61	L724	5.90	2.47	L723
Rook	636	24	7	YTS43R43RS	21.44	1.61	L724	5.90	2.47	L723
Grosbeak	636	26	7	YTS43R43RS	21.44	1.61	L724	5.90	2.47	L723
Flamingo	666.6	24	7	YTS43R43RS	21.44	1.61	L724	5.90	2.47	L723
Starling	715.5	26	7	YTS451R48RS	28.96	1.80	L725	9.00	4.00	L726
Cuckoo	795	24	7	YTS451R449RS	28.96	1.80	L725	9.00	4.00	L726
Drake	795	26	7	YTS451R48RS	28.96	1.80	L725	9.00	4.00	L726
Tern	795	45	7	YTS451R481RS	28.96	1.80	L725	9.00	4.00	L726
Condor	795	54	7	YTS451R449RS	28.96	1.80	L725	9.00	4.00	L726
Rail	954	45	7	YTS48R481RS	29.16	1.97	L727	9.00	4.01	L726
Cardinal	954	54	7	YTS48R48RS	29.16	1.97	L727	9.00	4.00	L726
Ortolan	1033.5	45	7	YTS49R483RS	29.02	1.97	L727	9.00	4.01	L726
Curlew	1033.5	54	7	YTS49R48RS	29.02	1.97	L727	9.00	4.00	L726
Bluejay	1113	45	7	YTS49R483RS	29.02	1.97	L727	9.00	4.01	L726
Finch	1113	54	19	YTS52R48RS	42.33	2.25	L728	9.00	4.00	L726
Bunting	1192.5	45	7	YTS52R521RS	42.33	2.25	L728	9.00	4.00	L726
Bittern	1272	45	7	YTS52R521RS	42.33	2.25	L728	9.00	4.00	L726
Pheasant	1272	54	19	YTS52R59RS	42.33	2.25	L728	9.10	4.07	L726
Dipper	1351.5	45	7	YTS52R521RS	42.33	2.25	L728	9.00	4.00	L726
Martin	1351.5	54	19	YTS52R59RS	42.33	2.25	L728	9.10	4.07	L726
Nuthatch	1510.5	45	7	YTS549R521RS	34.13	2.50	L729	9.00	4.00	L726
Parrot	1510.5	54	19	YTS549R59RS	34.13	2.50	L729	9.10	4.07	L726
Lapwing	1590	45	7	YTS549R549RS	34.13	2.50	L729	9.00	4.00	L726
Falcon	1590	54	19	YTS56R59RS	34.13	2.50	L729	9.10	4.07	L726
Chukar	1780	84	19	YTS58R48RS	35.46	2.50	L735	9.00	4.00	L726
Bluebird	2156	84	19	YTS59R59RS	42.91	2.50	L735	9.10	4.07	L726
Kiwi	2167	72	7	YTS59R521RS	42.91	2.50	L735	9.00	4.00	L726

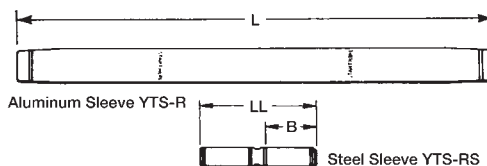
Splice Kit: Includes aluminum sleeve and steel sleeve.
 * Overlap crimps.
 ‡ Wide dies may be used on aluminum only (no steel), add suffix "W" to part number (example: L725W).

TYPE YTS-RT-RS EHV

Full Tension Splice Kit for ACSR Conductor



Full tension, two-piece, compression splice for ACSR transmission lines at 345 kV and over. Outer aluminum sleeve has filler hole and plug for PENETROX™ joint compound. Kit includes the outer aluminum and inner steel sleeve.



I-8

Conductor Name	ACSR		Splice Kit	Aluminum Sleeve			Steel Sleeve			
	Size kcmil	Stranding		Inches		Die* ‡	Inches		Die*	
		Alum.		Steel	L		O.D.	LL		B
Linnet	336.4	26	7	YTS32RT34RS	17.92	1.19	L717	5.74	2.45	L718
Oriole	336.4	30	7	YTS32RT33RS	17.92	1.19	L717	5.74	2.45	L718
Ibis	397.5	26	7	YTS34RT34RS	17.92	1.28	L719	5.74	2.45	L718
Flicker	477	24	7	YTS36RT362RS	18.92	1.41	L720	5.88	2.46	L721
Hawk	477	26	7	YTS36RT36RS	18.92	1.41	L720	5.76	2.46	L721
Parakeet	556.5	24	7	YTS39RT43RS	20.74	1.50	L722	5.90	2.47	L723
Dove	556.5	26	7	YTS39RT43RS	20.74	1.50	L722	5.90	2.47	L723
Peacock	605	24	7	YTS43RT43RS	22.28	1.61	L724	5.90	2.47	L723
Squab	605	26	7	YTS43RT43RS	22.28	1.61	L724	5.90	2.47	L723
Rook	636	24	7	YTS43RT43RS	22.28	1.61	L724	5.90	2.47	L723
Grosbeak	636	26	7	YTS43RT43RS	22.28	1.61	L724	5.90	2.47	L723
Flamingo	666.6	24	7	YTS43RT43RS	22.28	1.61	L724	5.90	2.47	L723
Starling	715.5	26	7	YTS451RT48RS	28.96	1.80	L725	9.00	4.00	L726
Cuckoo	795	24	7	YTS451RT449RS	28.96	1.80	L725	9.00	4.00	L726
Drake	795	26	7	YTS451RT48RS	28.96	1.80	L725	9.00	4.00	L726
Tern	795	45	7	YTS451RT481RS	28.96	1.80	L725	9.00	4.00	L726
Condor	795	54	7	YTS451RT449RS	28.96	1.80	L725	9.00	4.00	L726
Rail	954	45	7	YTS48RT481RS	29.16	1.97	L727	9.00	4.01	L726
Cardinal	954	54	7	YTS48RT48RS	29.16	1.97	L727	9.00	4.00	L726
Ortolan	1033.5	45	7	YTS49RT483RS	29.02	1.97	L727	9.00	4.01	L726
Curlew	1033.5	54	7	YTS49RT48RS	29.02	1.97	L727	9.00	4.00	L726
Bluejay	1113	45	7	YTS49RT483RS	29.02	1.97	L727	9.00	4.01	L726
Finch	1113	54	19	YTS52RT48RS	42.33	2.25	L728	9.00	4.00	L726
Bunting	1192.5	45	7	YTS52RT521RS	42.33	2.25	L728	9.00	4.00	L726
Bittern	1272	45	7	YTS52RT521RS	42.33	2.25	L728	9.00	4.00	L726
Pheasant	1272	54	19	YTS52RT59RS	42.33	2.25	L728	9.00	4.07	L726
Dipper	1351.5	45	7	YTS52RT521RS	42.33	2.25	L728	9.00	4.00	L726
Martin	1351.5	54	19	YTS52RT59RS	42.33	2.25	L728	9.00	4.07	L726
Nuthatch	1510.5	45	7	YTS549RT521RS	34.13	2.50	L729	9.00	4.00	L726
Parrot	1510.5	54	19	YTS549RT59RS	34.13	2.50	L729	9.10	4.07	L726
Lapwing	1590	45	7	YTS549RT549RS	34.13	2.50	L729	9.00	4.00	L726
Falcon	1590	54	19	YTS56RT59RS	34.13	2.50	L729	9.10	4.07	L726
Chukar	1780	84	19	YTS58RT48RS	35.46	2.50	L735	9.00	4.00	L726
Bluebird	2156	84	19	YTS59RT59RS	42.91	2.50	L735	9.10	4.07	L726
Kiwi	2167	72	7	YTS59RT521RS	42.91	2.50	L735	9.00	4.00	L726

Splice Kit: Includes aluminum sleeve and steel sleeve.

* Overlap crimps.

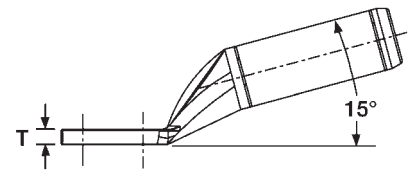
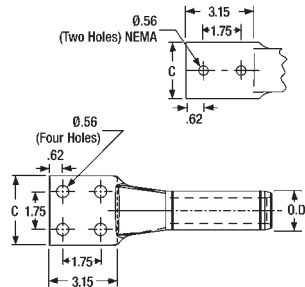
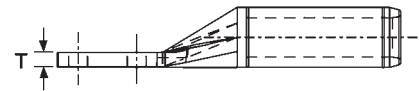
‡ Wide dies may be used on aluminum only (no steel), add suffix

"W" to part number (example: L725W).

TYPES YNA-R15
& YNA-R

Compression Terminal
for ACSR Conductor

Compression terminal for ACSR transmission lines up to and including 230 kV. Two hole NEMA tongue through 556.5 kcmil and four hole on larger sizes. Includes PENETROX™ joint compound in barrel and oxide retardant on pad.



Conductor Name	ACSR		15° Terminal		Straight Terminal		Inches		Die*‡	
	Size kcmil	Stranding		Catalog Number	Inches L	Catalog Number	Inches L	C†		T
		Alum.	Steel							
Linnet	336.4	26	7	YNA32R15	8.92	YNA32R	8.96	1.68	0.39	L717
Oriole	336.4	30	7	YNA32R15	8.92	YNA32R	8.96	1.68	0.39	L717
Ibis	397.5	26	7	YNA34R15	9.31	YNA34R	9.08	1.78	0.46	L719
Flicker	477	24	7	YNA36R15	9.62	YNA36R	9.47	1.96	0.48	L720
Hawk	477	26	7	YNA36R15	9.62	YNA36R	9.47	1.96	0.48	L720
Parakeet	556.5	24	7	YNA39R15	10.09	YNA39R	9.84	2.08	0.53	L722
Dove	556.5	26	7	YNA39R15	10.09	YNA39R	9.84	2.08	0.53	L722
Peacock	605	24	7	YNA43R15	10.16	YNA43R	10.07	3.07	0.36	L724
Squab	605	26	7	YNA43R15	10.16	YNA43R	10.07	3.07	0.36	L724
Rook	636	24	7	YNA43R15	10.16	YNA43R	10.07	3.07	0.36	L724
Grosbeak	636	26	7	YNA43R15	10.16	YNA43R	10.07	3.07	0.36	L724
Flamingo	666.6	24	7	YNA43R15	10.16	YNA43R	10.07	3.07	0.36	L724
Starling	715.5	26	7	YNA451R15	10.21	YNA451R	10.28	3.22	0.45	L725
Cuckoo	795	24	7	YNA451R15	10.21	YNA451R	10.28	3.22	0.45	L725
Drake	795	26	7	YNA451R15	10.21	YNA451R	10.28	3.22	0.45	L725
Tern	795	45	7	YNA451R15	10.21	YNA451R	10.28	3.22	0.45	L725
Condor	795	54	7	YNA451R15	10.21	YNA451R	10.28	3.22	0.45	L725
Ruddy	900	45	7	YNA49R15	10.35	YNA49R	10.46	3.22	0.52	L727
Rail	954	45	7	YNA49R15	10.35	YNA49R	10.46	3.22	0.52	L727
Cardinal	954	54	7	YNA49R15	10.35	YNA49R	10.46	3.22	0.52	L727
Ortolan	1033.5	45	7	YNA49R15	10.35	YNA49R	10.46	3.22	0.52	L727
Curlew	1033.5	54	7	YNA49R15	10.35	YNA49R	10.46	3.22	0.52	L727
Bluejay	1113	45	7	YNA49R15	10.35	YNA49R	10.46	3.22	0.52	L727
Finch	1113	54	19	YNA52R15	12.09	YNA52R	12.24	3.22	0.71	L728
Bunting	1192.5	45	7	YNA52R15	12.09	YNA52R	12.24	3.22	0.71	L728
Bittern	1272	45	7	YNA52R15	12.09	YNA52R	12.24	3.22	0.71	L728
Pheasant	1272	54	19	YNA52R15	12.09	YNA52R	12.24	3.22	0.71	L728
Dipper	1351.5	45	7	YNA52R15	12.09	YNA52R	12.24	3.22	0.71	L728
Martin	1351.5	54	19	YNA52R15	12.09	YNA52R	12.24	3.22	0.71	L728
Nuthatch	1510.5	45	7	YNA56R15	12.50	YNA56R	12.74	3.44	0.81	L729
Parrot	1510.5	54	19	YNA56R15	12.50	YNA56R	12.74	3.44	0.81	L729
Lapwing	1590	45	7	YNA56R15	12.50	YNA56R	12.74	3.44	0.81	L729
Falcon	1590	54	19	YNA56R15	12.50	YNA56R	12.74	3.44	0.81	L729
Chukar	1780	84	19	YNA58R15	13.25	YNA58R	13.34	3.47	0.76	L735
Bluebird	2156	84	19	YNA59R15	13.12	YNA59R	13.25	3.57	0.61	L735
Kiwi	2167	72	7	YNA59R15	13.12	YNA59R	13.25	3.57	0.61	L735

† Two hole NEMA pads standard on conductors up to 556.5 kcmil; Four hole NEMA pads on larger conductor sizes.

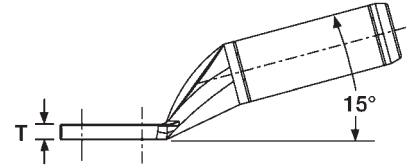
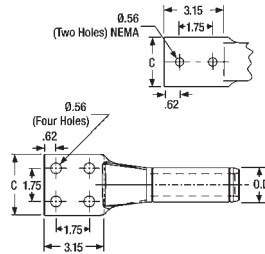
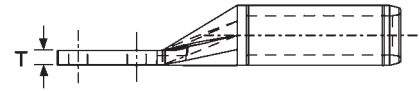
To specify hardware for bolting to corresponding Deadends add the suffix H to the catalog number (example: YNA52RH).

* Overlap crimps.
‡ Wide dies may be used on aluminum only (no steel), add suffix "W" to part number (example: L725W).

TYPES YNA-RT15, YNA-RT EHV

Compression Terminal for ACSR Conductor

Compression terminal for ACSR transmission lines at 345 kV and over. Two hole NEMA tongue supplied through 636 kcmil and four hole on larger sizes. Includes PENETROX™ joint compound in barrel and oxide retardant on pad.



I-10

Conductor Name	ACSR		15° Terminal		Straight Terminal		Inches		Die*‡	
	Size kcmil	Stranding		Catalog Number	Inches L	Catalog Number	Inches L	C†		T
		Alum.	Steel							
Linnet	336.4	26	7	YNA32RT15	9.04	YNA32RT	9.14	1.68	0.39	L717
Oriole	336.4	30	7	YNA32RT15	9.04	YNA32RT	9.14	1.68	0.39	L717
Ibis	397.5	26	7	YNA34RT15	9.21	YNA34RT	9.3	1.78	0.46	L719
Flicker	477	24	7	YNA36RT15	9.63	YNA36RT	9.7	1.96	0.48	L720
Hawk	477	26	7	YNA36RT15	9.63	YNA36RT	9.7	1.96	0.48	L720
Parakeet	556.5	24	7	YNA39RT15	10.02	YNA39RT	10.09	2.08	0.53	L722
Dove	556.5	26	7	YNA39RT15	10.02	YNA39RT	10.09	2.08	0.53	L722
Peacock	605	24	7	YNA43RT15	10.21	YNA43RT	10.32	3.22	0.36	L724
Squab	605	26	7	YNA43RT15	10.21	YNA43RT	10.32	3.22	0.36	L724
Rook	636	24	7	YNA43RT15	10.21	YNA43RT	10.32	3.22	0.36	L724
Grosbeak	636	26	7	YNA43RT15	10.21	YNA43RT	10.32	3.22	0.36	L724
Flamingo	666.6	24	7	YNA43RT15	10.21	YNA43RT	10.32	3.22	0.36	L724
Starling	715.5	26	7	YNA451RT15	10.65	YNA451RT	10.57	3.22	0.45	L725
Cuckoo	795	24	7	YNA451RT15	10.65	YNA451RT	10.57	3.22	0.45	L725
Drake	795	26	7	YNA451RT15	10.65	YNA451RT	10.57	3.22	0.45	L725
Tern	795	45	7	YNA451RT15	10.65	YNA451RT	10.57	3.22	0.45	L725
Condor	795	54	7	YNA451RT15	10.65	YNA451RT	10.57	3.22	0.45	L725
Ruddy	900	45	7	YNA49RT15	10.94	YNA49RT	10.77	3.22	0.52	L727
Rail	954	45	7	YNA49RT15	10.94	YNA49RT	10.77	3.22	0.52	L727
Cardinal	954	54	7	YNA49RT15	10.94	YNA49RT	10.77	3.22	0.52	L727
Ortolan	1033.5	45	7	YNA49RT15	10.94	YNA49RT	10.77	3.22	0.52	L727
Curlew	1033.5	54	7	YNA49RT15	10.94	YNA49RT	10.77	3.22	0.52	L727
Bluejay	1113	45	7	YNA49RT15	10.94	YNA49RT	10.77	3.22	0.52	L727
Finch	1113	54	19	YNA52RT15	12.62	YNA52RT	13.82	3.22	0.71	L728
Bunting	1192.5	45	7	YNA52RT15	12.62	YNA52RT	13.82	3.22	0.71	L728
Bittern	1272	45	7	YNA52RT15	12.62	YNA52RT	13.82	3.22	0.71	L728
Pheasant	1272	54	19	YNA52RT15	12.62	YNA52RT	13.82	3.22	0.71	L728
Dipper	1351.5	45	7	YNA52RT15	12.62	YNA52RT	13.82	3.22	0.71	L728
Martin	1351.5	54	19	YNA52RT15	12.62	YNA52RT	13.82	3.22	0.71	L728
Nuthatch	1510.5	45	7	YNA56RT15	13.36	YNA56RT	13.76	3.44	0.86	L729
Parrot	1510.5	54	19	YNA56RT15	13.36	YNA56RT	13.76	3.44	0.86	L729
Lapwing	1590	45	7	YNA56RT15	13.36	YNA56RT	13.76	3.44	0.86	L729
Falcon	1590	54	19	YNA56RT15	13.36	YNA56RT	13.76	3.44	0.86	L729
Chukar	1780	84	19	YNA58RT15	14.08	YNA58RT	13.7	3.47	0.80	L735
Bluebird	2156	84	19	YNA59RT15	13.75	YNA59RT	13.54	3.57	0.64	L735
Kiwi	2167	72	7	YNA59RT15	13.75	YNA59RT	13.54	3.57	0.64	L735

† Two hole NEMA pads standard for conductors up to 556.5 kcmil; Four hole NEMA pads on larger conductor sizes. Shielding cap STS43A-4N required for EHV applications (two caps required).

To specify hardware for bolting to corresponding Deadends add the suffix H to catalog number (example: YNA52RTH).

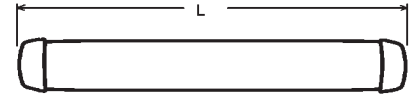
* Overlap crimps.

‡ Wide dies may be used on aluminum only (no steel), add suffix "W" to part number (example: L725W).

TYPE YNS-R

**Jumper Loop Sleeve
for ACSR Conductor**

Jumper sleeve for ACSR transmission lines up to and including 230 kV. Sleeve is pre-filled with PENETROX™ joint compound and capped.



Conductor Name	ACSR			Catalog Number	Inches		Die*‡
	Size kcmil	Stranding			L	O.D.	
		Alum.	Steel				
Linnet	336.4	26	7	YNS32R	8.60	1.19	L717
Oriole	336.4	30	7	YNS32R	8.60	1.19	L717
Ibis	397.5	26	7	YNS34R	8.68	1.30	L719
Flicker	477	24	7	YNS36R	9.20	1.41	L720
Hawk	477	26	7	YNS36R	9.20	1.41	L720
Parakeet	556.5	24	7	YNS39R	9.76	1.50	L722
Dove	556.5	26	7	YNS39R	9.76	1.50	L722
Peacock	605	24	7	YNS43R	9.98	1.61	L724
Squab	605	26	7	YNS43R	9.98	1.61	L724
Rook	636	24	7	YNS43R	9.98	1.61	L724
Grosbeak	636	26	7	YNS43R	9.98	1.61	L724
Flamingo	666.6	24	7	YNS43R	9.98	1.61	L724
Starling	715.5	26	7	YNS451R	10.00	1.80	L725
Cuckoo	795	24	7	YNS451R	10.00	1.80	L725
Drake	795	26	7	YNS451R	10.00	1.80	L725
Tern	795	45	7	YNS451R	10.00	1.80	L725
Condor	795	54	7	YNS451R	10.00	1.80	L725
Ruddy	900	45	7	YNS49R	10.00	1.97	L727
Rail	954	45	7	YNS49R	10.00	1.97	L727
Cardinal	954	54	7	YNS49R	10.00	1.97	L727
Ortolan	1033.5	45	7	YNS49R	10.00	1.97	L727
Curlew	1033.5	54	7	YNS49R	10.00	1.97	L727
Bluejay	1113	45	7	YNS49R	10.00	1.97	L727
Finch	1113	54	19	YNS52R	15.48	2.25	L728
Bunting	1192.5	45	7	YNS52R	15.48	2.25	L728
Bittern	1272	45	7	YNS52R	15.48	2.25	L728
Pheasant	1272	54	19	YNS52R	15.48	2.25	L728
Dipper	1351.5	45	7	YNS52R	15.48	2.25	L728
Martin	1351.5	54	19	YNS52R	15.48	2.25	L728
Nuthatch	1510.5	45	7	YNS56R	14.80	2.50	L729
Parrot	1510.5	54	19	YNS56R	14.80	2.50	L729
Lapwing	1590	45	7	YNS56R	14.80	2.50	L729
Falcon	1590	54	19	YNS56R	14.80	2.50	L729
Chukar	1780	84	19	YNS58R	14.74	2.50	L735
Bluebird	2156	84	19	YNS59R	14.56	2.50	L735
Kiwi	2167	72	7	YNS59R	14.56	2.50	L735

* Overlap crimps.
‡ Wide dies may be used on aluminum only, add suffix "W" to part number (example: L725W).

I-11

Transmission

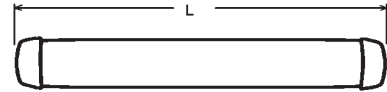
ACSR Jumper Sleeve-EHV

BURNDY®

TYPE YNS-RT EHV

Jumper Loop Sleeve for ACSR Conductor

Jumper sleeve for ACSR transmission lines over 230 kV. Sleeve is pre-filled with PENETROX™ joint compound and capped.



I-12

Conductor Name	ACSR		Jumper Sleeve	Inches		Die*‡	
	Size kcmil	Stranding		L	O.D.		
		Alum.					Steel
Linnet	336.4	26	7	YNS32RT	8.96	1.19	L717
Oriole	336.4	30	7	YNS32RT	8.96	1.19	L717
Ibis	397.5	26	7	YNS34RT	9.10	1.30	L719
Flicker	477	24	7	YNS36RT	9.64	1.41	L720
Hawk	477	26	7	YNS36RT	9.64	1.41	L720
Parakeet	556.5	24	7	YNS39RT	10.26	1.50	L722
Dove	556.5	26	7	YNS39RT	10.26	1.50	L722
Peacock	605	24	7	YNS43RT	10.48	1.61	L724
Squab	605	26	7	YNS43RT	10.48	1.61	L724
Rook	636	24	7	YNS43RT	10.48	1.61	L724
Grosbeak	636	26	7	YNS43RT	10.48	1.61	L724
Flamingo	666.6	24	7	YNS43RT	10.48	1.61	L724
Starling	715.5	26	7	YNS451RT	10.60	1.80	L725
Cuckoo	795	24	7	YNS451RT	10.60	1.80	L725
Drake	795	26	7	YNS451RT	10.60	1.80	L725
Tern	795	45	7	YNS451RT	10.60	1.80	L725
Condor	795	54	7	YNS451RT	10.60	1.80	L725
Ruddy	900	45	7	YNS49RT	10.66	1.97	L727
Rail	954	45	7	YNS49RT	10.66	1.97	L727
Cardinal	954	54	7	YNS49RT	10.66	1.97	L727
Ortolan	1033.5	45	7	YNS49RT	10.66	1.97	L727
Curlew	1033.5	54	7	YNS49RT	10.66	1.97	L727
Bluejay	1113	45	7	YNS49RT	10.66	1.97	L727
Finch	1113	54	19	YNS52RT	16.20	2.25	L728
Bunting	1192.5	45	7	YNS52RT	16.20	2.25	L728
Bittern	1272	45	7	YNS52RT	16.20	2.25	L728
Pheasant	1272	54	19	YNS52RT	16.20	2.25	L728
Dipper	1351.5	45	7	YNS52RT	16.20	2.25	L728
Martin	1351.5	54	19	YNS52RT	16.20	2.25	L728
Nuthatch	1510.5	45	7	YNS56RT	15.58	2.50	L729
Parrot	1510.5	54	19	YNS56RT	15.58	2.50	L729
Lapwing	1590	45	7	YNS56RT	15.58	2.50	L729
Falcon	1590	54	19	YNS56RT	15.58	2.50	L729
Chukar	1780	84	19	YNS58RT	15.46	2.50	L735
Bluebird	2156	84	19	YNS59RT	15.14	2.50	L735
Kiwi	2167	72	7	YNS59RT	15.14	2.50	L735

* Overlap crimps.

‡ Wide dies may be used on aluminum only, add suffix "W" to part number (example: L725W).

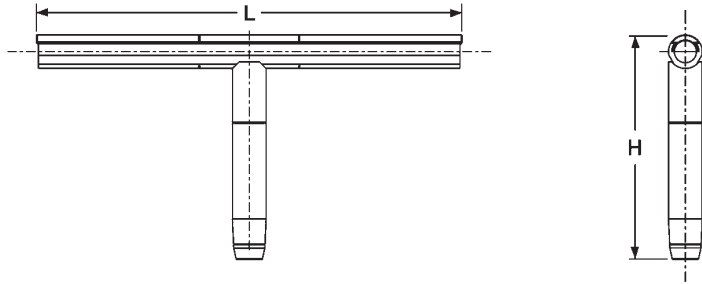
TYPE YNT-R-R

Compression T-Tap
for ACSR Conductor



Two piece compression T-Tap for ACSR transmission lines that include up to 230 kV. Tap element is pre-filled with PENETROX™ joint compound and sealed.

* For EHV applications, add suffix "T" to catalog number (example: YNT49R49RT)



Conductor Name	ACSR			T-Tap*	Inches		Die **‡
	Size kcmil	Stranding			L	H	
		Alum.	Steel				
Linnet	336.4	26	7	YNT32R32R	15.46	6.39	L717
Oriole	336.4	30	7	YNT32R32R	15.46	6.39	L717
Ibis	397.5	26	7	YNT34R34R	15.60	6.53	L719
Flicker	477	24	7	YNT36R36R	16.29	6.85	L720
Hawk	477	26	7	YNT36R36R	16.29	6.85	L720
Parakeet	556.5	24	7	YNT39R39R	16.69	7.13	L722
Dove	556.5	26	7	YNT39R39R	16.69	7.13	L722
Peacock	605	24	7	YNT43R43R	17.48	7.20	L724
Squab	605	26	7	YNT43R43R	17.48	7.20	L724
Rook	636	24	7	YNT43R43R	17.48	7.20	L724
Grosbeak	636	26	7	YNT43R43R	17.48	7.20	L724
Flamingo	666.6	24	7	YNT43R43R	17.48	7.20	L724
Starling	715.5	26	7	YNT451R451R	17.60	7.70	L725
Cuckoo	795	24	7	YNT451R451R	17.60	7.70	L725
Drake	795	26	7	YNT451R451R	17.60	7.70	L725
Tern	795	45	7	YNT451R451R	17.60	7.70	L725
Condor	795	54	7	YNT451R451R	17.60	7.70	L725
Ruddy	900	45	7	YNT49R49R	17.66	7.90	L727
Rail	954	45	7	YNT49R49R	17.66	7.90	L727
Cardinal	954	54	7	YNT49R49R	17.66	7.90	L727
Ortolan	1033.5	45	7	YNT49R49R	17.66	7.90	L727
Curlew	1033.5	54	7	YNT49R49R	17.66	7.90	L727
Bluejay	1113	45	7	YNT49R49R	17.66	7.90	L727
Finch	1113	54	19	YNT52R52R	21.61	11.10	L728
Bunting	1192.5	45	7	YNT52R52R	21.61	11.10	L728
Bittern	1272	45	7	YNT52R52R	21.61	11.10	L728
Pheasant	1272	54	19	YNT52R52R	21.61	11.10	L728
Dipper	1351.5	45	7	YNT52R52R	21.61	11.10	L728
Martin	1351.5	54	19	YNT52R52R	21.61	11.10	L728
Nuthatch	1510.5	45	7	YNT56R56R	23.65	11.08	L729
Parrot	1510.5	54	19	YNT56R56R	23.65	11.08	L729
Lapwing	1590	45	7	YNT56R56R	23.65	11.08	L729
Falcon	1590	54	19	YNT56R56R	23.65	11.08	L729
Chukar	1780	84	19	YNT58R58R	23.53	11.02	L735
Bluebird	2156	84	19	YNT59R59R	23.21	10.86	L735
Kiwi	2167	72	7	YNT59R59R	23.21	10.86	L735

* For EHV applications, add suffix "T" to catalog number (example: YNT49R49RT).

** Overlap crimps.

‡ Wide dies may be used on aluminum only, add suffix "W" to part number (example: L725W).

Transmission

ACSR T-Tap with Pad

BURNDY®

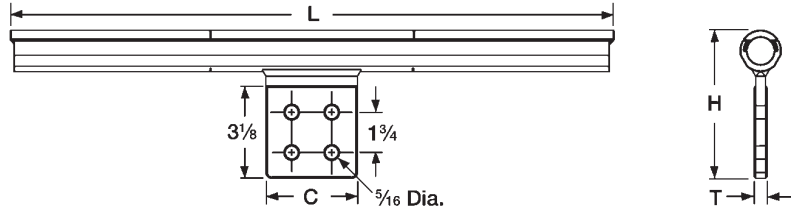
TYPE YNTA-R

T-Tap with Pad for ACSR Conductor



Two piece compression T-Tap to a NEMA pad for ACSR transmission lines. Up to and including 230 kV.

* For EHV applications, add suffix "T" to catalog number (example: YNTA49RT)



I-14

Conductor Name	ACSR		T-Tap with Pad	Inches				Die †‡	
	Size kcmil	Stranding		L	C	H	T		
		Alum.	Steel						
Linnet	336.4	26	7	YNTA32R	15.46	2.00	4.94	0.50	L717
Oriole	336.4	30	7	YNTA32R	15.46	2.00	4.94	0.50	L717
Ibis	397.5	26	7	YNTA34R	15.60	2.00	5.05	0.50	L719
Flicker	477	24	7	YNTA36R	16.29	2.25	5.16	0.56	L720
Hawk	477	26	7	YNTA36R	16.29	2.25	5.16	0.56	L720
Parakeet	556.5	24	7	YNTA39R	16.69	2.25	5.25	0.56	L722
Dove	556.5	26	7	YNTA39R	16.69	2.25	5.25	0.56	L722
Peacock	605	24	7	YNTA43R	17.48	3.25	5.36	0.56	L724
Squab	605	26	7	YNTA43R	17.48	3.25	5.36	0.56	L724
Rook	636	24	7	YNTA43R	17.48	3.25	5.36	0.56	L724
Grosbeak	636	26	7	YNTA43R	17.48	3.25	5.36	0.56	L724
Flamingo	666.6	24	7	YNTA43R	17.48	3.25	5.36	0.56	L724
Starling	715.5	26	7	YNTA451R	17.60	3.25	5.55	0.56	L725
Cuckoo	795	24	7	YNTA451R	17.60	3.25	5.55	0.56	L725
Drake	795	26	7	YNTA451R	17.60	3.25	5.55	0.56	L725
Tern	795	45	7	YNTA451R	17.60	3.25	5.55	0.56	L725
Condor	795	54	7	YNTA451R	17.60	3.25	5.55	0.56	L725
Ruddy	900	45	7	YNTA49R	17.66	3.25	5.72	0.56	L727
Rail	954	45	7	YNTA49R	17.66	3.25	5.72	0.56	L727
Cardinal	954	54	7	YNTA49R	17.66	3.25	5.72	0.56	L727
Ortolan	1033.5	45	7	YNTA49R	17.66	3.25	5.72	0.56	L727
Curlew	1033.5	54	7	YNTA49R	17.66	3.25	5.72	0.56	L727
Bluejay	1113	45	7	YNTA49R	17.66	3.25	5.72	0.56	L727
Finch	1113	54	19	YNTA54R	21.61	3.25	6.00	0.69	L728
Bunting	1192.5	45	7	YNTA54R	21.61	3.25	6.00	0.69	L728
Bittern	1272	45	7	YNTA54R	21.61	3.25	6.00	0.69	L728
Pheasant	1272	54	19	YNTA54R	21.61	3.25	6.00	0.69	L728
Dipper	1351.5	45	7	YNTA54R	21.61	3.25	6.00	0.69	L728
Martin	1351.5	54	19	YNTA54R	21.61	3.25	6.00	0.69	L728
Nuthatch	1510.5	45	7	YNTA56R	23.65	3.59	6.25	0.69	L729
Parrot	1510.5	54	19	YNTA56R	23.65	3.59	6.25	0.69	L729
Lapwing	1590	45	7	YNTA56R	23.65	3.59	6.25	0.69	L729
Falcon	1590	54	19	YNTA56R	23.65	3.59	6.25	0.69	L729
Chukar	1780	84	19	YNTA58R	23.53	3.59	6.25	0.69	L735
Bluebird	2156	84	19	YNTA59R	23.21	3.59	6.25	0.69	L735
Kiwi	2167	72	7	YNTA59R	23.21	3.59	6.25	0.69	L735

Two hole NEMA pads standard for conductors up to 556.5 kcmil; Four hole NEMA pads on larger conductor sizes.

For EHV applications (2) two tap pad shielding caps (catalog number STS43A4N) should be ordered.

* Overlap crimps.

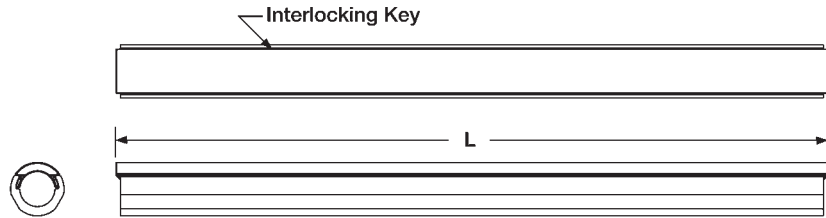
‡ Wide dies may be used on aluminum only, add suffix "W" to part number (example: L725W).

For EVH applications, add suffix "T" to catalog number (example: YNTA49RT).

TYPE YNU-R

Repair Sleeve
for ACSR Conductor

For HV and EHV applications. Two-piece repair sleeve for temporary restoration of conductivity to damaged ACSR transmission lines. Use of PENETROX™ joint compound required.



Conductor Name	Size kcmil	ACSR Stranding		Repair Sleeve	Inches L	Die **‡
		Alum.	Steel			
Linnet	336.4	26	7	YNU32R	14.00	L717
Oriole	336.4	30	7	YNU32R	14.00	L717
Ibis	397.5	26	7	YNU34R	14.00	L719
Flicker	477	24	7	YNU36R	14.00	L720
Hawk	477	26	7	YNU36R	14.00	L720
Parakeet	556.5	24	7	YNU39R	16.00	L722
Dove	556.5	26	7	YNU39R	16.00	L722
Peacock	605	24	7	YNU43R	16.00	L724
Squab	605	26	7	YNU43R	16.00	L724
Rook	636	24	7	YNU43R	16.00	L724
Grosbeak	636	26	7	YNU43R	16.00	L724
Flamingo	666.6	24	7	YNU43R	16.00	L724
Starling	715.5	26	7	YNU451R	16.00	L725
Cuckoo	795	24	7	YNU451R	16.00	L725
Drake	795	26	7	YNU451R	16.00	L725
Tern	795	45	7	YNU451R	16.00	L725
Condor	795	54	7	YNU451R	16.00	L725
Ruddy	900	45	7	YNU49R	16.00	L727
Rail	954	45	7	YNU49R	16.00	L727
Cardinal	954	54	7	YNU49R	16.00	L727
Ortolan	1033.5	45	7	YNU49R	16.00	L727
Curlew	1033.5	54	7	YNU49R	16.00	L727
Bluejay	1113	45	7	YNU49R	16.00	L727
Finch	1113	54	19	YNU54R	16.00	L728
Bunting	1192.5	45	7	YNU54R	16.00	L728
Bittern	1272	45	7	YNU54R	16.00	L728
Pheasant	1272	54	19	YNU54R	16.00	L728
Dipper	1351.5	45	7	YNU54R	16.00	L728
Martin	1351.5	54	19	YNU54R	16.00	L728
Nuthatch	1510.5	45	7	YNU56R	19.00	L729
Parrot	1510.5	54	19	YNU56R	19.00	L729
Lapwing	1590	45	7	YNU56R	19.00	L729
Falcon	1590	54	19	YNU56R	19.00	L729
Chukar	1780	84	19	YNU58R	19.00	L735
Bluebird	2156	84	19	YNU59R	19.00	L735
Kiwi	2167	72	7	YNU59R	19.00	L735

* Overlap crimps.

‡ Wide dies may be used on aluminum only, add suffix "W" to part number (example: L725W).

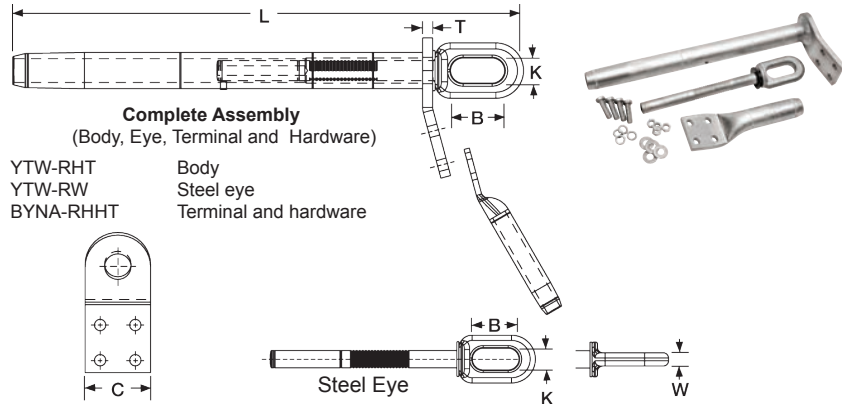
Transmission ACSS Deadends

BURNDY®

TYPES YTW-R-REKHT, YTW-RHT, YTW-REHT, BYNA-R-HHT

Single Pad Full Tension Deadend for ACSS Conductor

Full tension compression deadend for 250° C rated ACSS transmission lines up to and including 230 kV. Standard 15° NEMA tap pad provides either 0° or 30° tap when BYNA-R15 terminal is used.



I-16

Conductor Name	ACSS		Stranding		Single Pad		Inches			Body Die*‡	Steel Eye	Inches			Eye Die*	Terminal † with Hardware	Term Die*‡
	Size kcmil	Alum.	Steel	Complete Assembly	Alum. Body	L	C	T	B			K	W				
Linnet	336.4	26	7	YTW32R34REKHT	YTW32RHT	21.53	3.25	0.50	L717	YTW34REHT	2.50	0.88	0.62	L718	BYNA32R15HHT	L717	
Oriole	336.4	30	7	YTW32R33REKHT	YTW32RHT	21.53	3.25	0.50	L717	YTW33REHT	2.50	0.88	0.62	L718	BYNA32R15HHT	L717	
Ibis	397.5	26	7	YTW34R34REKHT	YTW34RHT	21.60	3.25	0.50	L719	YTW34REHT	2.50	0.88	0.62	L718	BYNA34R15HHT	L719	
Flicker	477	24	7	YTW36R362REKHT	YTW36RHT	23.41	3.25	0.50	L720	YTW362REHT	2.50	0.88	0.62	L721	BYNA36R15HHT	L720	
Hawk	477	26	7	YTW36R36REKHT	YTW36RHT	23.41	3.25	0.50	L720	YTW36REHT	2.50	0.88	0.62	L721	BYNA36R15HHT	L720	
Parakeet	556.5	24	7	YTW39R43REKHT	YTW39RHT	23.66	3.25	0.50	L722	YTW43REHT	2.50	0.88	0.69	L723	BYNA39R15HHT	L722	
Dove	556.5	26	7	YTW39R43REKHT	YTW39RHT	23.66	3.25	0.50	L722	YTW43REHT	2.50	0.88	0.69	L723	BYNA39R15HHT	L722	
Peacock	605	24	7	YTW43R43REKHT	YTW43RHT	24.49	3.25	0.50	L724	YTW43REHT	2.50	0.88	0.69	L723	BYNA43R15HHT	L724	
Squab	605	26	7	YTW43R43REKHT	YTW43RHT	24.49	3.25	0.50	L724	YTW43REHT	2.50	0.88	0.69	L723	BYNA43R15HHT	L724	
Rook	636	24	7	YTW43R43REKHT	YTW43RHT	24.49	3.25	0.50	L724	YTW43REHT	2.50	0.88	0.69	L723	BYNA43R15HHT	L724	
Grosbeak	636	26	7	YTW43R43REKHT	YTW43RHT	24.49	3.25	0.50	L724	YTW43REHT	2.50	0.88	0.69	L723	BYNA43R15HHT	L724	
Flamingo	666.6	24	7	YTW43R43REKHT	YTW43RHT	24.49	3.25	0.50	L724	YTW43REHT	2.50	0.88	0.69	L723	BYNA43R15HHT	L724	
Starling	715.5	26	7	YTW45R48REKHT	YTW45RHT	29.41	3.25	0.50	L725	YTW48REHT	2.69	1.25	0.75	L726	BYNA45R15HHT	L725	
Cuckoo	795	24	7	YTW45R45REKHT	YTW45RHT	29.41	3.25	0.50	L725	YTW45REHT	2.69	1.25	0.75	L726	BYNA45R15HHT	L725	
Drake	795	26	7	YTW45R48REKHT	YTW45RHT	29.41	3.25	0.50	L725	YTW48REHT	2.69	1.25	0.75	L726	BYNA45R15HHT	L725	
Tern	795	45	7	YTW45R48REKHT	YTW45RHT	29.41	3.25	0.50	L725	YTW48REHT	2.69	1.25	0.75	L726	BYNA45R15HHT	L725	
Condor	795	54	7	YTW45R45REKHT	YTW45RHT	29.41	3.25	0.50	L725	YTW45REHT	2.69	1.25	0.75	L726	BYNA45R15HHT	L725	
Ruddy	900	45	7	YTW48R48REKHT	YTW48RHT	29.50	3.25	0.50	L727	YTW48REHT	2.69	1.25	0.75	L726	BYNA49R15HHT	L727	
Rail	954	45	7	YTW48R48REKHT	YTW48RHT	29.50	3.25	0.50	L727	YTW48REHT	2.69	1.25	0.75	L726	BYNA49R15HHT	L727	
Cardinal	954	54	7	YTW48R48REKHT	YTW48RHT	29.50	3.25	0.50	L727	YTW48REHT	2.69	1.25	0.75	L726	BYNA49R15HHT	L727	
Ortolan	1033.5	45	7	YTW49R483REKHT	YTW49RHT	31.35	3.25	0.50	L727	YTW483REHT	2.69	1.25	1.00	L726	BYNA49R15HHT	L727	
Curlew	1033.5	54	7	YTW49R50REKHT	YTW49RHT	31.35	3.25	0.50	L727	YTW50REHT	2.69	1.25	1.00	L726	BYNA49R15HHT	L727	
Bluejay	1113	45	7	YTW49R483REKHT	YTW49RHT	31.35	3.25	0.50	L727	YTW483REHT	2.69	1.25	1.00	L726	BYNA49R15HHT	L727	
Finch	1113	54	19	YTW52R50REKHT	YTW52RHT	35.55	3.25	0.50	L728	YTW50REHT	2.69	1.25	1.00	L726	BYNA52R15HHT	L728	
Bunting	1192.5	45	7	YTW52R521REKHT	YTW52RHT	35.55	4.00	0.62	L728	YTW521REHT	2.69	1.25	1.00	L726	BYNA52R15HHT	L728	
Bittern	1272	45	7	YTW52R521REKHT	YTW52RHT	35.55	4.00	0.62	L728	YTW521REHT	2.69	1.25	1.00	L726	BYNA52R15HHT	L728	
Pheasant	1272	54	19	YTW52R56REKHT	YTW52RHT	35.55	4.00	0.62	L728	YTW56REHT	2.69	1.25	1.00	L726	BYNA52R15HHT	L728	
Dipper	1351.5	45	7	YTW52R521REKHT	YTW52RHT	35.55	4.00	0.62	L728	YTW521REHT	2.69	1.25	1.00	L726	BYNA52R15HHT	L728	
Martin	1351.5	54	19	YTW52R56REKHT	YTW52RHT	35.55	4.00	0.62	L728	YTW56REHT	2.69	1.25	1.00	L726	BYNA52R15HHT	L728	
Nuthatch	1510.5	45	7	YTW549R521REKHT	YTW549RHT	35.55	4.00	0.62	L729	YTW521REHT	2.69	1.25	1.00	L726	BYNA56R15HHT	L729	
Parrot	1510.5	54	19	YTW549R56REKHT	YTW549RHT	35.55	4.00	0.62	L729	YTW56REHT	2.69	1.25	1.00	L726	BYNA56R15HHT	L729	
Lapwing	1590	45	7	YTW549R549REKHT	YTW549RHT	35.55	4.00	0.62	L729	YTW549REHT	2.69	1.25	1.00	L726	BYNA56R15HHT	L729	
Falcon	1590	54	19	YTW56R590REKHT	YTW56RHT	35.99	4.00	0.62	L729	YTW590REHT	2.69	1.25	1.00	L726	BYNA56R15HHT	L729	
Chukar	1780	84	19	YTW58R58REKHT	YTW58RHT	36.99	4.00	0.62	L735	YTW58REHT	2.69	1.25	1.00	L726	BYNA58R15HHT	L735	
Bluebird	2156	84	19	YTW59R59REKHT	YTW59RHT	37.34	4.00	0.62	L735	YTW59REHT	2.69	1.25	1.00	L726	BYNA59R15HHT	L735	
Kiwi	2167	72	7	YTW59R591REKHT	YTW59RHT	37.34	4.00	0.62	L735	YTW591REHT	2.69	1.25	1.00	L726	BYNA59R15HHT	L735	

Complete Assembly: Includes Aluminum body, Steel eye, 15 degree terminal and aluminum hardware. For stainless steel hardware add SS to end of catalog number for complete assembly (example: YTW32R34REKHTSS) or to terminal (BYNA32R15HTSSHHTSS) if ordered separately.

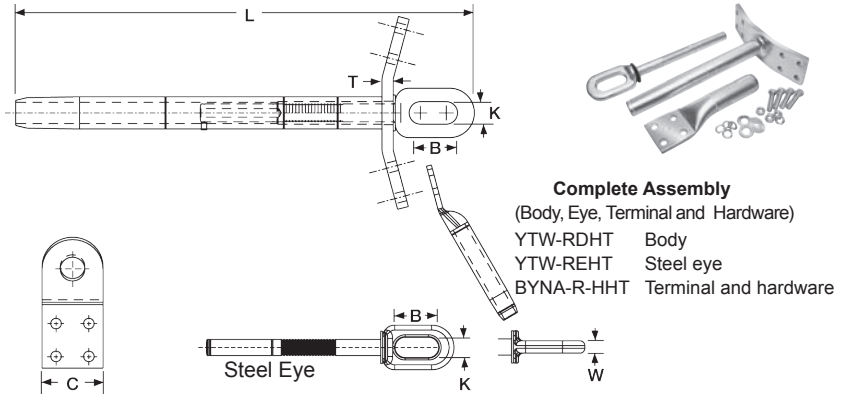
For assembly without terminal and hardware add NT to end of complete assembly catalog number (example: YTW32R34REKHTNT).
† BYNA terminals must be crimped from cable end moving toward pad end.

* Overlap crimps.
‡ Wide dies may be used on aluminum only (no steel), add suffix "W" to part number (example: L725W).

TYPES YTW-RD-REKHT,
YTW-RDHT, YTW-REHT,
BYNA-R-HHT

Double Pad Full Tension
Deadend for ACSS Conductor

Full tension compression deadend for 250° C rated ACSS transmission lines up to and including 230 kV. Standard 15° NEMA tap pads provide either 0° or 30° tap when BYNAR15 terminal is used.



Complete Assembly
(Body, Eye, Terminal and Hardware)
YTW-RDHT Body
YTW-REHT Steel eye
BYNA-R-HHT Terminal and hardware

Conductor Name	ACSS		Double Pad		Inches			Body Die†‡	Steel Eye	Inches			Eye Die*	Terminal † with Hardware	Term Die‡	
	Size kcmil	Stranding Alum.	Steel	Complete Assembly	Alum. Body	L	C			T	B	K				W
Linnet	336.4	26	7	YTW32RD34REKHT	YTW32RDHT	21.53	3.25	0.50	L717	YTW34REHT	2.50	0.88	0.62	L718	BYNA32R15HHT	L717
Oriole	336.4	30	7	YTW32RD33REKHT	YTW32RDHT	21.53	3.25	0.50	L717	YTW33REHT	2.50	0.88	0.62	L718	BYNA32R15HHT	L717
Ibis	397.5	26	7	YTW34RD34REKHT	YTW34RDHT	21.60	3.25	0.50	L719	YTW34REHT	2.50	0.88	0.62	L718	BYNA34R15HHT	L719
Flicker	477	24	7	YTW36RD362REKHT	YTW36RDHT	23.41	3.25	0.50	L720	YTW362REHT	2.50	0.88	0.62	L721	BYNA36R15HHT	L720
Hawk	477	26	7	YTW36RD36REKHT	YTW36RDHT	23.41	3.25	0.50	L720	YTW36REHT	2.50	0.88	0.62	L721	BYNA36R15HHT	L720
Parakeet	556.5	24	7	YTW39RD43REKHT	YTW39RDHT	23.66	3.25	0.50	L722	YTW43REHT	2.50	0.88	0.69	L723	BYNA39R15HHT	L722
Dove	556.5	26	7	YTW39RD43REKHT	YTW39RDHT	23.66	3.25	0.50	L722	YTW43REHT	2.50	0.88	0.69	L723	BYNA39R15HHT	L722
Peacock	605	24	7	YTW43RD43REKHT	YTW43RDHT	24.49	3.25	0.50	L724	YTW43REHT	2.50	0.88	0.69	L723	BYNA43R15HHT	L724
Squab	605	26	7	YTW43RD43REKHT	YTW43RDHT	24.49	3.25	0.50	L724	YTW43REHT	2.50	0.88	0.69	L723	BYNA43R15HHT	L724
Rook	636	24	7	YTW43RD43REKHT	YTW43RDHT	24.49	3.25	0.50	L724	YTW43REHT	2.50	0.88	0.69	L723	BYNA43R15HHT	L724
Grosbeak	636	26	7	YTW43RD43REKHT	YTW43RDHT	24.49	3.25	0.50	L724	YTW43REHT	2.50	0.88	0.69	L723	BYNA43R15HHT	L724
Flamingo	666.6	24	7	YTW43RD43REKHT	YTW43RDHT	24.49	3.25	0.50	L724	YTW43REHT	2.50	0.88	0.69	L723	BYNA43R15HHT	L724
Starling	715.5	26	7	YTW451RD48REKHT	YTW451RDHT	29.41	3.25	0.50	L725	YTW48REHT	2.69	1.25	0.75	L726	BYNA451R15HHT	L725
Cuckoo	795	24	7	YTW451RD45REKHT	YTW451RDHT	29.41	3.25	0.50	L725	YTW45REHT	2.69	1.25	0.75	L726	BYNA451R15HHT	L725
Drake	795	26	7	YTW451RD48REKHT	YTW451RDHT	29.41	3.25	0.50	L725	YTW48REHT	2.69	1.25	0.75	L726	BYNA451R15HHT	L725
Tern	795	45	7	YTW451RD481REKHT	YTW451RDHT	29.41	3.25	0.50	L725	YTW481REHT	2.69	1.25	0.75	L726	BYNA451R15HHT	L725
Condor	795	54	7	YTW451RD45REKHT	YTW451RDHT	29.41	3.25	0.50	L725	YTW45REHT	2.69	1.25	0.75	L726	BYNA451R15HHT	L725
Ruddy	900	45	7	YTW48RD481REKHT	YTW48RDHT	29.50	3.25	0.50	L727	YTW481REHT	2.69	1.25	0.75	L726	BYNA49R15HHT	L727
Rail	954	45	7	YTW48RD481REKHT	YTW48RDHT	29.50	3.25	0.50	L727	YTW481REHT	2.69	1.25	0.75	L726	BYNA49R15HHT	L727
Cardinal	954	54	7	YTW48RD48REKHT	YTW48RDHT	29.50	3.25	0.50	L727	YTW48REHT	2.69	1.25	0.75	L726	BYNA49R15HHT	L727
Ortolan	1033.5	45	7	YTW49RD483REKHT	YTW49RDHT	31.35	3.25	0.50	L727	YTW483REHT	2.69	1.25	1.00	L726	BYNA49R15HHT	L727
Curlew	1033.5	54	7	YTW49RD50REKHT	YTW49RDHT	31.35	3.25	0.50	L727	YTW50REHT	2.69	1.25	1.00	L726	BYNA49R15HHT	L727
Bluejay	1113	45	7	YTW49RD483REKHT	YTW49RDHT	31.35	3.25	0.50	L727	YTW483REHT	2.69	1.25	1.00	L726	BYNA49R15HHT	L727
Finch	1113	54	19	YTW52RD50REKHT	YTW52RDHT	35.55	3.25	0.50	L728	YTW50REHT	2.69	1.25	1.00	L726	BYNA52R15HHT	L728
Bunting	1192.5	45	7	YTW52RD521REKHT	YTW52RDHT	35.55	4.00	0.62	L728	YTW521REHT	2.69	1.25	1.00	L726	BYNA52R15HHT	L728
Bittern	1272	45	7	YTW52RD521REKHT	YTW52RDHT	35.55	4.00	0.62	L728	YTW521REHT	2.69	1.25	1.00	L726	BYNA52R15HHT	L728
Pheasant	1272	54	19	YTW52RD56REKHT	YTW52RDHT	35.55	4.00	0.62	L728	YTW56REHT	2.69	1.25	1.00	L726	BYNA52R15HHT	L728
Dipper	1351.5	45	7	YTW52RD521REKHT	YTW52RDHT	35.55	4.00	0.62	L728	YTW521REHT	2.69	1.25	1.00	L726	BYNA52R15HHT	L728
Martin	1351.5	54	19	YTW52RD56REKHT	YTW52RDHT	35.55	4.00	0.62	L728	YTW56REHT	2.69	1.25	1.00	L726	BYNA52R15HHT	L728
Nuthatch	1510.5	45	7	YTW549RD521REKHT	YTW549RDHT	35.55	4.00	0.62	L729	YTW521REHT	2.69	1.25	1.00	L726	BYNA56R15HHT	L729
Parrot	1510.5	54	19	YTW549RD56REKHT	YTW549RDHT	35.55	4.00	0.62	L729	YTW56REHT	2.69	1.25	1.00	L726	BYNA56R15HHT	L729
Lapwing	1590	45	7	YTW549RD549REKHT	YTW549RDHT	35.55	4.00	0.62	L729	YTW549REHT	2.69	1.25	1.00	L726	BYNA56R15HHT	L729
Falcon	1590	54	19	YTW56RD590REKHT	YTW56RDHT	35.99	4.00	0.62	L729	YTW590REHT	2.69	1.25	1.00	L726	BYNA56R15HHT	L729
Chukar	1780	84	19	YTW58RD58REKHT	YTW58RDHT	36.99	4.00	0.62	L735	YTW58REHT	2.69	1.25	1.00	L726	BYNA58R15HHT	L735
Bluebird	2156	84	19	YTW59RD59REKHT	YTW59RDHT	37.34	4.00	0.62	L735	YTW59REHT	2.69	1.25	1.00	L726	BYNA59R15HHT	L735
Kiwi	2167	72	7	YTW59RD591REKHT	YTW59RDHT	37.34	4.00	0.62	L735	YTW591REHT	2.69	1.25	1.00	L726	BYNA59R15HHT	L735

Complete Assembly: Includes Aluminum body, Steel eye, 15 degree terminal and aluminum hardware. For stainless steel hardware add SS to end of catalog number for complete assembly (example: YTW32R34REKHTSS) or to terminal (BYNA32R15HTSSHHTSS) if ordered separately.

For assembly without terminal and hardware add NT to end of complete assembly catalog number (example: YTW32R34REKHTNT). † BYNA terminals must be crimped from cable end moving toward pad end.

* Overlap crimps. ‡ Wide dies may be used on aluminum only (no steel), add suffix "W" to part number (example: L725W).

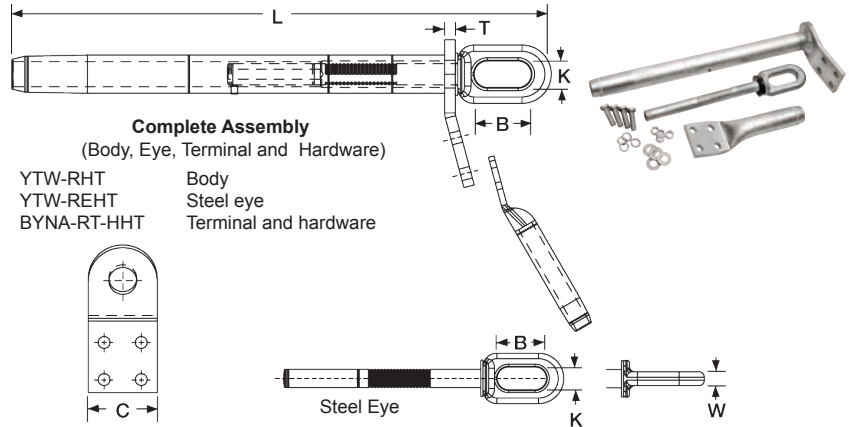
Transmission ACSS Deadends-EHV

BURNDY®

TYPES YTW-RT-REKHT, YTW-RTHT, YTW-REHT, BYNA-RT-HHT EHV

Single Pad, EHV Full Tension Deadend for ACSS Conductor

Full tension compression deadend for 250° C rated ACSS transmission lines at 345 kV and over. Standard 15° NEMA tap pad provides either 0° or 30° tap when BYNA-RT15 terminal is used.



I-18

Conductor Name	ACSS		Stranding		Single Pad		Inches			Body Die†‡	Steel Eye	Inches			Eye Die*	Terminal † with Hardware	Term Die‡
	Size kcmil	Alum.	Steel	Complete Assembly	Alum. Body	L	C	T	B			K	W				
Linnet	336.4	26	7	YTW32RT34REKHT	YTW32RTHT	21.53	3.25	0.50	L717	YTW34REHT	2.50	0.88	0.62	L718	BYNA32RT15HHT	L717	
Oriole	336.4	30	7	YTW32RT33REKHT	YTW32RTHT	21.53	3.25	0.50	L717	YTW33REHT	2.50	0.88	0.62	L718	BYNA32RT15HHT	L717	
Ibis	397.5	26	7	YTW34RT34REKHT	YTW34RTHT	21.60	3.25	0.50	L719	YTW34REHT	2.50	0.88	0.62	L718	BYNA34RT15HHT	L719	
Flicker	477	24	7	YTW36RT362REKHT	YTW36RTHT	23.41	3.25	0.50	L720	YTW362REHT	2.50	0.88	0.62	L721	BYNA36RT15HHT	L720	
Hawk	477	26	7	YTW36RT36REKHT	YTW36RTHT	23.41	3.25	0.50	L720	YTW36REHT	2.50	0.88	0.62	L721	BYNA36RT15HHT	L720	
Parakeet	556.5	24	7	YTW39RT43REKHT	YTW39RTHT	23.66	3.25	0.50	L722	YTW43REHT	2.50	0.88	0.69	L723	BYNA39RT15HHT	L722	
Dove	556.5	26	7	YTW39RT43REKHT	YTW39RTHT	23.66	3.25	0.50	L722	YTW43REHT	2.50	0.88	0.69	L723	BYNA39RT15HHT	L722	
Peacock	605	24	7	YTW43RT43REKHT	YTW43RTHT	24.49	3.25	0.50	L724	YTW43REHT	2.50	0.88	0.69	L723	BYNA43RT15HHT	L724	
Squab	605	26	7	YTW43RT43REKHT	YTW43RTHT	24.49	3.25	0.50	L724	YTW43REHT	2.50	0.88	0.69	L723	BYNA43RT15HHT	L724	
Rook	636	24	7	YTW43RT43REKHT	YTW43RTHT	24.49	3.25	0.50	L724	YTW43REHT	2.50	0.88	0.69	L723	BYNA43RT15HHT	L724	
Grosbeak	636	26	7	YTW43RT43REKHT	YTW43RTHT	24.49	3.25	0.50	L724	YTW43REHT	2.50	0.88	0.69	L723	BYNA43RT15HHT	L724	
Flamingo	666.6	24	7	YTW43RT43REKHT	YTW43RTHT	24.49	3.25	0.50	L724	YTW43REHT	2.50	0.88	0.69	L723	BYNA43RT15HHT	L724	
Starling	715.5	26	7	YTW451RT48REKHT	YTW451RTHT	29.41	3.25	0.50	L725	YTW48REHT	2.69	1.25	0.75	L726	BYNA451RT15HHT	L725	
Cuckoo	795	24	7	YTW451RT45REKHT	YTW451RTHT	29.41	3.25	0.50	L725	YTW45REHT	2.69	1.25	0.75	L726	BYNA451RT15HHT	L725	
Drake	795	26	7	YTW451RT48REKHT	YTW451RTHT	29.41	3.25	0.50	L725	YTW48REHT	2.69	1.25	0.75	L726	BYNA451RT15HHT	L725	
Tem	795	45	7	YTW451RT481REKHT	YTW451RTHT	29.41	3.25	0.50	L725	YTW481REHT	2.69	1.25	0.75	L726	BYNA451RT15HHT	L725	
Condor	795	54	7	YTW451RT45REKHT	YTW451RTHT	29.41	3.25	0.50	L725	YTW45REHT	2.69	1.25	0.75	L726	BYNA451RT15HHT	L725	
Ruddy	900	45	7	YTW48RT481REKHT	YTW48RTHT	29.50	3.25	0.50	L727	YTW481REHT	2.69	1.25	0.75	L726	BYNA49RT15HHT	L727	
Rail	954	45	7	YTW48RT481REKHT	YTW48RTHT	29.50	3.25	0.50	L727	YTW481REHT	2.69	1.25	0.75	L726	BYNA49RT15HHT	L727	
Cardinal	954	44	7	YTW48RT48REKHT	YTW48RTHT	29.50	3.25	0.50	L727	YTW48REHT	2.69	1.25	0.75	L726	BYNA49RT15HHT	L727	
Oriolan	1033.5	45	7	YTW49RT483REKHT	YTW49RTHT	31.35	3.25	0.50	L727	YTW483REHT	2.69	1.25	1.00	L726	BYNA49RT15HHT	L727	
Curlew	1033.5	54	7	YTW49RT50REKHT	YTW49RTHT	31.35	3.25	0.50	L727	YTW50REHT	2.69	1.25	1.00	L726	BYNA49RT15HHT	L727	
Bluejay	1113	45	7	YTW49RT483REKHT	YTW49RTHT	31.35	3.25	0.50	L727	YTW483REHT	2.69	1.25	1.00	L726	BYNA49RT15HHT	L727	
Finch	1113	54	19	YTW52RT50REKHT	YTW52RHT	35.55	3.25	0.50	L728	YTW50REHT	2.69	1.25	1.00	L726	BYNA52RT15HHT	L728	
Bunting	1192.5	45	7	YTW52RT521REKHT	YTW52RTHT	35.55	4.00	0.62	L728	YTW521REHT	2.69	1.25	1.00	L726	BYNA52RT15HHT	L728	
Bittern	1272	45	7	YTW52RT521REKHT	YTW52RTHT	35.55	4.00	0.62	L728	YTW521REHT	2.69	1.25	1.00	L726	BYNA52RT15HHT	L728	
Pheasant	1272	54	19	YTW52RT56REKHT	YTW52RTHT	35.55	4.00	0.62	L728	YTW56REHT	2.69	1.25	1.00	L726	BYNA52RT15HHT	L728	
Dipper	1351.5	45	7	YTW52RT521REKHT	YTW52RTHT	35.55	4.00	0.62	L728	YTW521REHT	2.69	1.25	1.00	L726	BYNA52RT15HHT	L728	
Martin	1351.5	54	19	YTW52RT56REKHT	YTW52RTHT	35.55	4.00	0.62	L728	YTW56REHT	2.69	1.25	1.00	L726	BYNA52RT15HHT	L728	
Nuthatch	1510.5	45	7	YTW549RT521REKHT	YTW549RTHT	35.55	4.00	0.62	L729	YTW521REHT	2.69	1.25	1.00	L726	BYNA56RT15HHT	L729	
Parrot	1510.5	54	19	YTW549RT56REKHT	YTW549RTHT	35.55	4.00	0.62	L729	YTW56REHT	2.69	1.25	1.00	L726	BYNA56RT15HHT	L729	
Lapwing	1590	45	7	YTW549RT549REKHT	YTW549RTHT	35.55	4.00	0.62	L729	YTW549REHT	2.69	1.25	1.00	L726	BYNA56RT15HHT	L729	
Falcon	1590	54	19	YTW56RT590REKHT	YTW56RTHT	35.99	4.00	0.62	L729	YTW590REHT	2.69	1.25	1.00	L726	BYNA56RT15HHT	L729	
Chukar	1780	84	19	YTW58RT58REKHT	YTW58RTHT	36.99	4.00	0.62	L735	YTW58REHT	2.69	1.25	1.00	L726	BYNA58RT15HHT	L735	
Bluebird	2156	84	19	YTW59RT59REKHT	YTW59RTHT	37.34	4.00	0.62	L735	YTW59REHT	2.69	1.25	1.00	L726	BYNA59RT15HHT	L735	
Kiwi	2167	72	7	YTW59RT591REKHT	YTW59RTHT	37.34	4.00	0.62	L735	YTW591REHT	2.69	1.25	1.00	L726	BYNA59RT15HHT	L735	

Complete Assembly: Includes Aluminum body, Steel eye, 15 degree terminal and aluminum hardware. For stainless steel hardware add SS to end of catalog number for complete assembly (example: YTW32R34REKHTSS) or to terminal (BYNA32R15HTSSHHTSS) if ordered separately.

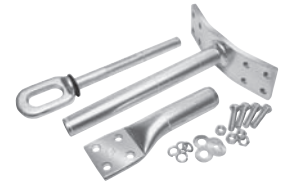
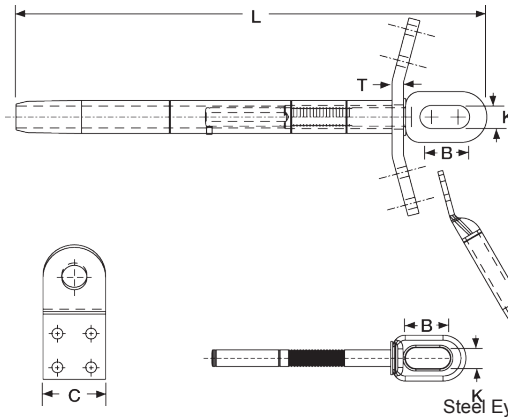
For assembly without terminal and hardware add NT to end of complete assembly catalog number (example: YTW32R34REKHTNT). † BYNA terminals must be crimped from cable end moving toward pad end.

* Overlap crimps. ‡ Wide dies may be used on aluminum only (no steel), add suffix "W" to part number (example: L725W).

TYPES YTW-RDT-REKHT,
YTW-RDTHT,
BYNA-RT-HHT EHV

Double Pad, EHV
Full Tension Deadend
for ACSS Conductor

Full tension compression deadend for 250° C rated ACSS transmission lines at 345 kV and over. Standard 15° NEMA tap pad provides either 0° or 30° tap when BYNA-R15 terminal is used.



Complete Assembly
(Body, Eye, Terminal and Hardware)
YTW-RHT Body
YTW-REHT Steel eye
BYNA-RT-HHT Terminal and hardware

Conductor Name	ACSS		Stranding		Double Pad		Inches			Body Die†‡	Steel Eye	Inches			Eye Die*	Terminal † with Hardware	Term Die‡
	Size kcmil	Alum.	Steel	Complete Assembly	Alum. Body	L	C	T	B			K	W				
Linnet	336.4	26	7	YTW32RDT34REKHT	YTW32RDTHT	21.53	3.25	0.50	L717	YTW34REHT	2.50	0.88	0.62	L718	BYNA32RT15HHT	L717	
Oriole	336.4	30	7	YTW32RDT33REKHT	YTW32RDTHT	21.53	3.25	0.50	L717	YTW33REHT	2.50	0.88	0.62	L718	BYNA32RT15HHT	L717	
Ibis	397.5	26	7	YTW34RDT34REKHT	YTW34RDTHT	21.60	3.25	0.50	L719	YTW34REHT	2.50	0.88	0.62	L718	BYNA34RT15HHT	L719	
Flicker	477	24	7	YTW36RDT362REKHT	YTW36RDTHT	23.41	3.25	0.50	L720	YTW362REHT	2.50	0.88	0.62	L721	BYNA36RT15HHT	L720	
Hawk	477	26	7	YTW36RDT36REKHT	YTW36RDTHT	23.41	3.25	0.50	L720	YTW36REHT	2.50	0.88	0.62	L721	BYNA36RT15HHT	L720	
Parakeet	556.5	24	7	YTW39RDT43REKHT	YTW39RDTHT	23.66	3.25	0.50	L722	YTW43REHT	2.50	0.88	0.69	L723	BYNA39RT15HHT	L722	
Dove	556.5	26	7	YTW39RDT43REKHT	YTW39RDTHT	23.66	3.25	0.50	L722	YTW43REHT	2.50	0.88	0.69	L723	BYNA39RT15HHT	L722	
Peacock	605	24	7	YTW43RDT43REKHT	YTW43RDTHT	24.49	3.25	0.50	L724	YTW43REHT	2.50	0.88	0.69	L723	BYNA43RT15HHT	L724	
Squab	605	26	7	YTW43RDT43REKHT	YTW43RDTHT	20.49	3.25	0.50	L724	YTW43REHT	2.50	0.88	0.69	L723	BYNA43RT15HHT	L724	
Rook	636	24	7	YTW43RDT43REKHT	YTW43RDTHT	24.49	3.25	0.50	L724	YTW43REHT	2.50	0.88	0.69	L723	BYNA43RT15HHT	L724	
Grosbeak	636	26	7	YTW43RDT43REKHT	YTW43RDTHT	24.49	3.25	0.50	L724	YTW43REHT	2.50	0.88	0.69	L723	BYNA43RT15HHT	L724	
Flamingo	666.6	24	7	YTW43RDT43REKHT	YTW43RDTHT	24.49	3.25	0.50	L724	YTW43REHT	2.50	0.88	0.69	L723	BYNA43RT15HHT	L724	
Starling	715.5	26	7	YTW451RDT48REKHT	YTW451RDTHT	29.41	3.25	0.50	L725	YTW48REHT	2.69	1.25	0.75	L726	BYNA451RT15HHT	L725	
Cuckoo	795	24	7	YTW451RDT45REKHT	YTW451RDTHT	29.41	3.25	0.50	L725	YTW45REHT	2.69	1.25	0.75	L726	BYNA451RT15HHT	L725	
Drake	795	26	7	YTW451RDT48REKHT	YTW451RDTHT	29.41	3.25	0.50	L725	YTW48REHT	2.69	1.25	0.75	L726	BYNA451RT15HHT	L725	
Tern	795	45	7	YTW451RDT481REKHT	YTW451RDTHT	29.41	3.25	0.50	L725	YTW481REHT	2.69	1.25	0.75	L726	BYNA451RT15HHT	L725	
Condor	795	54	7	YTW451RDT45REKHT	YTW451RDTHT	29.41	3.25	0.50	L725	YTW45REHT	2.69	1.25	0.75	L726	BYNA451RT15HHT	L725	
Ruddy	900	45	7	YTW48RDT481REKHT	YTW48RDTHT	29.50	3.25	0.50	L727	YTW481REHT	2.69	1.25	0.75	L726	BYNA49RT15HHT	L727	
Rail	954	45	7	YTW48RDT481REKHT	YTW48RDTHT	29.50	3.25	0.50	L727	YTW481REHT	2.69	1.25	0.75	L726	BYNA49RT15HHT	L727	
Cardinal	954	54	7	YTW48RDT48REKHT	YTW48RDTHT	29.50	3.25	0.50	L727	YTW48REHT	2.69	1.25	0.75	L726	BYNA49RT15HHT	L727	
Ortolan	1033.5	45	7	YTW49RDT483REKHT	YTW49RDTHT	31.35	3.25	0.50	L727	YTW483REHT	2.69	1.25	1.00	L726	BYNA49RT15HHT	L727	
Curlew	1033.5	54	7	YTW49RDT50REKHT	YTW49RDTHT	31.35	3.25	0.50	L727	YTW50REHT	2.69	1.25	1.00	L726	BYNA49RT15HHT	L727	
Bluejay	1113	45	7	YTW49RDT483REKHT	YTW49RDTHT	31.35	3.25	0.50	L727	YTW483REHT	2.69	1.25	1.00	L726	BYNA49RT15HHT	L727	
Finch	1113	54	19	YTW52RDT50REKHT	YTW52RDTHT	35.55	3.25	0.50	L728	YTW50REHT	2.69	1.25	1.00	L726	BYNA52RT15HHT	L728	
Bunting	1192.5	45	7	YTW52RDT521REKHT	YTW52RDTHT	35.55	4.00	0.62	L728	YTW521REHT	2.69	1.25	1.00	L726	BYNA52RT15HHT	L728	
Bittern	1272	45	7	YTW52RDT521REKHT	YTW52RDTHT	35.55	4.00	0.62	L728	YTW521REHT	2.69	1.25	1.00	L726	BYNA52RT15HHT	L728	
Pheasant	1272	54	19	YTW52RDT56REKHT	YTW52RDTHT	35.55	4.00	0.62	L728	YTW56REHT	2.69	1.25	1.00	L726	BYNA52RT15HHT	L728	
Dipper	1351.5	45	7	YTW52RDT521REKHT	YTW52RDTHT	35.55	4.00	0.62	L728	YTW521REHT	2.69	1.25	1.00	L726	BYNA52RT15HHT	L728	
Martin	1351.5	54	19	YTW52RDT56REKHT	YTW52RDTHT	35.55	4.00	0.62	L728	YTW56REHT	2.69	1.25	1.00	L726	BYNA52RT15HHT	L728	
Nuthatch	1510.5	45	7	YTW549RDT521REKHT	YTW549RDTHT	35.55	4.00	0.62	L729	YTW521REHT	2.69	1.25	1.00	L726	BYNA56RT15HHT	L729	
Parrot	1510.5	54	19	YTW549RDT56REKHT	YTW549RDTHT	35.55	4.00	0.62	L729	YTW56REHT	2.69	1.25	1.00	L726	BYNA56RT15HHT	L729	
Lapwing	1590	45	7	YTW549RDT549REKHT	YTW549RDTHT	35.55	4.00	0.62	L729	YTW549REHT	2.69	1.25	1.00	L726	BYNA56RT15HHT	L729	
Falcon	1590	54	19	YTW56RDT590REKHT	YTW56RDTHT	35.99	4.00	0.62	L729	YTW590REHT	2.69	1.25	1.00	L726	BYNA56RT15HHT	L729	
Chukar	1780	84	19	YTW58RDT58REKHT	YTW58RDTHT	36.99	4.00	0.62	L735	YTW58REHT	2.69	1.25	1.00	L726	BYNA58RT15HHT	L735	
Bluebird	2156	84	19	YTW59RDT59REKHT	YTW59RDTHT	37.34	4.00	0.62	L735	YTW59REHT	2.69	1.25	1.00	L726	BYNA59RT15HHT	L735	
Kiwi	2167	72	7	YTW59RDT591REKHT	YTW59RDTHT	37.34	4.00	0.62	L735	YTW591REHT	2.69	1.25	1.00	L726	BYNA59RT15HHT	L735	

Complete Assembly: Includes Aluminum body, Steel eye, 15 degree terminal and aluminum hardware. For stainless steel hardware add SS to end of catalog number for complete assembly (example: YTW32R34REKHTSS) or to terminal (BYNA32R15HTSSHHTSS) if ordered separately.

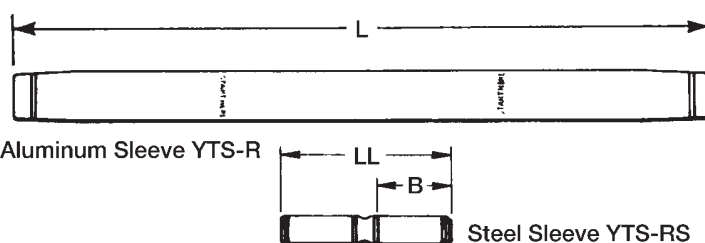
For assembly without terminal and hardware add NT to end of complete assembly catalog number (example: YTW32R34REKHTNT).
† BYNA terminals must be crimped from cable end moving toward pad end.

* Overlap crimps.
‡ Wide dies may be used on aluminum only (no steel), add suffix "W" to part number (example: L725W).

TYPE YTS-R-RSHT

Full Tension Splice Kit for ACSS Conductor

Full tension, two-piece, compression splice for 250° C ACSS transmission lines up to and including 230 kV. Outer aluminum sleeve has filler hole and plug for PENETROX™ joint compound. Kit includes the outer aluminum and inner steel sleeve.



I-20

Conductor Name	ACSS		Splice Kit	Aluminum Sleeve			Steel Sleeve			
	Size kcmil	Stranding		Inches		Die*‡	Inches		Die*	
		Alum.		Steel	L		O.D.	LL		B
Linnet	336.4	26	7	YTS32R34RSHT	25.30	1.19	L717	5-1/4"	2.64	L718
Ibis	397.5	26	7	YTS34R34RSHT	25.20	1.28	L719	5-1/4"	2.64	L718
Flicker	477	24	7	YTS36R362RSHT	26.16	1.41	L720	5-7/8"	2.66	L721
Hawk	477	26	7	YTS36R36RSHT	26.16	1.41	L720	5-7/8"	2.66	L721
Parakeet	556.5	24	7	YTS39R43RSHT	27.88	1.50	L720	5-7/8"	2.66	L721
Dove	556.5	26	7	YTS39R43RSHT	27.88	1.50	L720	5-7/8"	2.66	L721
Peacock	605	24	7	YTS43R43RSHT	29.44	1.61	L724	5-7/8"	2.66	L723
Squab	605	26	7	YTS43R43RSHT	29.44	1.61	L724	5-7/8"	2.66	L723
Rook	636	24	7	YTS43R43RSHT	29.44	1.61	L724	5-7/8"	2.66	L723
Grosbeak	636	26	7	YTS43R43RSHT	29.44	1.61	L724	5-7/8"	2.66	L723
Flamingo	666.6	24	7	YTS43R43RSHT	29.44	1.61	L724	5-7/8"	2.66	L723
Starling	715.5	26	7	YTS451R48RSHT	36.00	1.80	L725	9"	4.19	L726
Cuckoo	795	24	7	YTS451R449RSHT	36.00	1.80	L725	9"	4.19	L726
Drake	795	26	7	YTS451R48RSHT	36.00	1.80	L725	9"	4.19	L726
Tern	795	45	7	YTS451R481RSHT	36.00	1.80	L725	9-1/8"	4.19	L726
Condor	795	54	7	YTS451R449RSHT	36.00	1.80	L725	9"	4.19	L726
Rail	954	45	7	YTS48R481RSHT	36.00	1.97	L727	9-1/8"	4.19	L726
Cardinal	954	54	7	YTS48R48RSHT	36.00	1.97	L727	9"	4.19	L726
Ortolan	1033.5	45	7	YTS49R483RSHT	36.00	1.97	L727	9-1/8"	4.19	L726
Curlew	1033.5	54	7	YTS49R48RSHT	36.00	1.97	L727	9"	4.19	L726
Bluejay	1113	45	7	YTS49R483RSHT	36.00	1.97	L727	9-1/8"	4.19	L726
Finch	1113	54	19	YTS52R48RSHT	49.07	2.25	L728	9"	4.19	L726
Bunting	1192.5	45	7	YTS52R521RSHT	49.07	2.25	L728	9"	4.19	L726
Bittern	1272	45	7	YTS52R521RSHT	49.07	2.25	L728	9"	4.19	L726
Pheasant	1272	54	19	YTS52R59RSHT	49.07	2.25	L728	9-1/8"	4.25	L726
Dipper	1351.5	45	7	YTS52R521RSHT	49.07	2.25	L728	9"	4.19	L726
Martin	1351.5	54	19	YTS52R59RSHT	49.07	2.25	L728	9-1/8"	4.25	L726
Nuthatch	1510.5	45	7	YTS549R521RSHT	39.73	2.50	L729	9"	4.19	L726
Parrot	1510.5	54	19	YTS549R59RSHT	39.73	2.50	L729	9-1/8"	4.25	L726
Lapwing	1590	45	7	YTS549R549RSHT	39.73	2.50	L729	9"	4.19	L726
Falcon	1590	54	19	YTS56R59RSHT	39.73	2.50	L729	9-1/8"	4.25	L726
Chukar	1780	84	19	YTS58R48RSHT	42.20	2.50	L735	4-1/4"	4.19	L726
Bluebird	2156	84	19	YTS59R59RSHT	49.93	2.50	L735	4-1/4"	4.25	L726
Kiwi	2167	72	7	YTS59R521RSHT	49.93	2.50	L735	4-1/4"	4.19	L726

Splice Kit: Includes aluminum sleeve and steel sleeve.

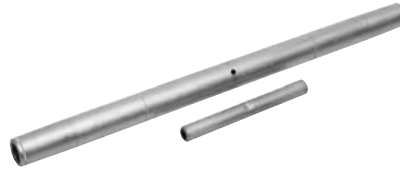
* Overlap crimps.

‡ Wide dies may be used on aluminum only (no steel), add suffix

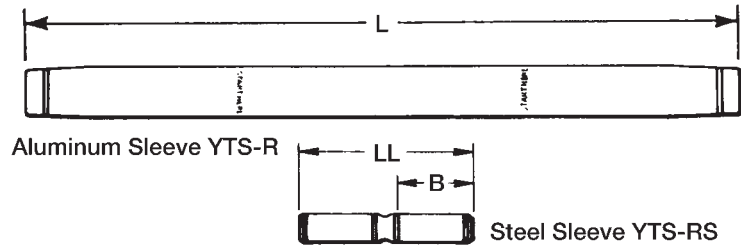
"W" to part number (example: L725W).

TYPE YTS-RT-RSHT
EHV

Full Tension Splice Kit
for ACSS Conductor



Full tension, two-piece, compression splice for 250°C ACSS transmission lines at 345 kV and over. Outer aluminum sleeve has filler hole and plug for PENETROX™ joint compound. Kit includes the outer aluminum and inner steel sleeve.



Conductor Name	Size kcmil	ACSS Stranding		Splice Kit	Aluminum Sleeve			Steel Sleeve		
		Alum.	Steel		Inches		Die*‡	Inches		Die*
					L	O.D.		LL	B	
Linnet	336.4	26	7	YTS32RT34RSHT	25.92	1.19	L717	5.74	2.45	L718
Oriole	336.4	30	7	YTS32RT33RSHT	25.92	1.19	L717	5.74	2.45	L718
Ibis	397.5	26	7	YTS34RT34RSHT	25.92	1.28	L719	5.74	2.45	L718
Flicker	477	24	7	YTS36RT362RSHT	26.92	1.41	L720	5.88	2.46	L721
Hawk	477	26	7	YTS36RT36RSHT	26.92	1.41	L720	5.76	2.46	L721
Parakeet	556.5	24	7	YTS39RT43RSHT	28.74	1.50	L722	5.90	2.47	L723
Dove	556.5	26	7	YTS39RT43RSHT	28.74	1.50	L722	5.90	2.47	L723
Peacock	605	24	7	YTS43RT43RSHT	30.28	1.61	L724	5.90	2.47	L723
Squab	605	26	7	YTS43RT43RSHT	30.28	1.61	L724	5.90	2.47	L723
Rook	636	24	7	YTS43RT43RSHT	30.28	1.61	L724	5.90	2.47	L723
Grosbeak	636	26	7	YTS43RT43RSHT	30.28	1.61	L724	5.90	2.47	L723
Flamingo	666.6	24	7	YTS43RT43RSHT	30.28	1.61	L724	5.90	2.47	L723
Starling	715.5	26	7	YTS451RT48RSHT	36.96	1.80	L725	9.00	4.00	L726
Cuckoo	795	24	7	YTS451RT449RSHT	36.96	1.80	L725	9.00	4.00	L726
Drake	795	26	7	YTS451RT48RSHT	36.96	1.80	L725	9.00	4.00	L726
Tern	795	45	7	YTS451RT481RSHT	36.96	1.80	L725	9.00	4.00	L726
Condor	795	54	7	YTS451RT449RSHT	36.96	1.80	L725	9.00	4.00	L726
Rail	954	45	7	YTS48RT481RSHT	37.96	1.97	L727	9.00	4.01	L726
Cardinal	954	54	7	YTS48RT48RSHT	37.96	1.97	L727	9.00	4.01	L726
Ortolan	1033.5	45	7	YTS49RT483RSHT	37.02	1.97	L727	9.00	4.01	L726
Curlew	1033.5	54	7	YTS49RT48RSHT	37.02	1.97	L727	9.00	4.00	L726
Bluejay	1113	45	7	YTS49RT483RSHT	37.02	1.97	L727	9.00	4.01	L726
Finch	1113	54	19	YTS52RT48RSHT	50.33	2.25	L728	9.00	4.00	L726
Bunting	1192.5	45	7	YTS52RT521RSHT	50.33	2.25	L728	9.00	4.00	L726
Bittern	1272	45	7	YTS52RT521RSHT	50.33	2.25	L728	9.00	4.00	L726
Pheasant	1272	54	19	YTS52RT59RSHT	50.33	2.25	L728	9.10	4.07	L726
Dipper	1351.5	45	7	YTS52RT521RSHT	50.33	2.25	L728	9.00	4.00	L726
Martin	1351.5	54	19	YTS52RT59RSHT	50.33	2.25	L728	9.10	4.07	L726
Nuthatch	1510.5	45	7	YTS549RT521RSHT	42.13	2.50	L729	9.00	4.00	L726
Parrot	1510.5	54	19	YTS549RT59RSHT	42.13	2.50	L729	9.10	4.07	L726
Lapwing	1590	45	7	YTS549RT549RSHT	42.13	2.50	L729	9.00	4.00	L726
Falcon	1590	54	19	YTS56RT59RSHT	42.13	2.50	L729	9.10	4.07	L726
Chukar	1780	84	19	YTS58RT48RSHT	43.46	2.50	L735	9.00	4.00	L726
Bluebird	2156	84	19	YTS59RT59RSHT	50.91	2.50	L735	9.10	4.07	L726
Kiwi	2167	72	7	YTS59RT521RSHT	50.91	2.50	L735	9.00	4.00	L726

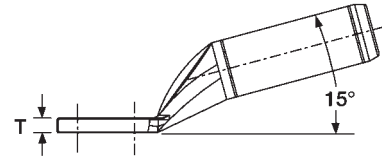
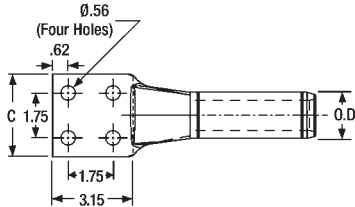
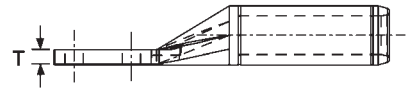
Splice Kit: Includes aluminum sleeve and steel sleeve.
 * Overlap crimps.
 ‡ Wide dies may be used on aluminum only (no steel), add suffix "W" to part number (example: L725W).

I-21

TYPES BYNA-R15HT, BYNA-RHT

Compression Terminal for ACSS Conductor

Compression terminal for ACSS transmission lines up to and including 230 kV.



I-22

Conductor Name	Size kcmil	ACSS Stranding		15° Terminal		Straight Terminal		Inches			Die*‡
		Alum.	Steel	Catalog Number	Inches L	Catalog Number	Inches L	C	D	T	
Linnet	336.4	26	7	BYNA32R15HT	16.21	BYNA32RHT	16.56	3.25	4.50	0.75	L717
Oriole	336.4	30	7	BYNA32R15HT	16.21	BYNA32RHT	16.56	3.25	4.50	0.75	L717
Ibis	397.5	26	7	BYNA34R15HT	16.24	BYNA34RHT	16.60	3.25	4.50	0.75	L719
Flicker	477	24	7	BYNA36R15HT	16.51	BYNA36RHT	16.92	3.25	4.50	0.75	L720
Hawk	477	26	7	BYNA36R15HT	16.51	BYNA36RHT	16.92	3.25	4.50	0.75	L720
Parakeet	556.5	24	7	BYNA39R15HT	16.89	BYNA39RHT	17.30	3.25	4.50	0.75	L722
Dove	556.5	26	7	BYNA39R15HT	16.89	BYNA39RHT	17.30	3.25	4.50	0.75	L722
Peacock	605	24	7	BYNA43R15HT	14.41	BYNA43RHT	15.46	3.07	3.95	0.36	L724
Squab	605	26	7	BYNA43R15HT	14.41	BYNA43RHT	15.46	3.07	3.95	0.36	L724
Rook	636	24	7	BYNA43R15HT	14.41	BYNA43RHT	15.46	3.07	3.95	0.36	L724
Grosbeak	636	26	7	BYNA43R15HT	14.41	BYNA43RHT	15.46	3.07	3.95	0.36	L724
Flamingo	666.6	24	7	BYNA43R15HT	14.41	BYNA43RHT	15.46	3.07	3.95	0.36	L724
Starling	715.5	26	7	BYNA45R15HT	15.10	BYNA45RHT	15.46	3.22	3.95	0.45	L725
Cuckoo	795	24	7	BYNA45R15HT	15.10	BYNA45RHT	15.46	3.22	3.95	0.45	L725
Drake	795	26	7	BYNA45R15HT	15.10	BYNA45RHT	15.46	3.22	3.95	0.45	L725
Tern	795	45	7	BYNA45R15HT	15.10	BYNA45RHT	15.46	3.22	3.95	0.45	L725
Condor	795	54	7	BYNA45R15HT	15.10	BYNA45RHT	15.46	3.22	3.95	0.45	L725
Ruddy	900	45	7	BYNA49R15HT	15.14	BYNA49RHT	15.66	3.22	3.95	0.52	L727
Rail	954	45	7	BYNA49R15HT	15.14	BYNA49RHT	15.66	3.22	3.95	0.52	L727
Cardinal	954	54	7	BYNA49R15HT	15.14	BYNA49RHT	15.66	3.22	3.95	0.52	L727
Ortolan	1033.5	45	7	BYNA49R15HT	15.14	BYNA49RHT	15.66	3.22	3.95	0.52	L727
Curlew	1033.5	54	7	BYNA49R15HT	15.14	BYNA49RHT	15.66	3.22	3.95	0.52	L727
Bluejay	1113	45	7	BYNA49R15HT	15.14	BYNA49RHT	15.66	3.22	3.95	0.52	L727
Finch	1113	54	19	BYNA52R15HT	16.81	BYNA52RHT	18.71	3.22	3.95	0.71	L728
Bunting	1192.5	45	7	BYNA52R15HT	16.81	BYNA52RHT	18.71	3.22	3.95	0.71	L728
Bittern	1272	45	7	BYNA52R15HT	16.81	BYNA52RHT	18.71	3.22	3.95	0.71	L728
Pheasant	1272	54	19	BYNA52R15HT	16.81	BYNA52RHT	18.71	3.22	3.95	0.71	L728
Dipper	1351.5	45	7	BYNA52R15HT	16.81	BYNA52RHT	18.71	3.22	3.95	0.71	L728
Martin	1351.5	54	19	BYNA52R15HT	16.81	BYNA52RHT	18.71	3.22	3.95	0.71	L728
Nuthatch	1510.5	45	7	BYNA56R15HT	17.56	BYNA56RHT	18.65	3.44	3.95	0.86	L729
Parrot	1510.5	54	19	BYNA56R15HT	17.56	BYNA56RHT	18.65	3.44	3.95	0.86	L729
Lapwing	1590	45	7	BYNA56R15HT	17.56	BYNA56RHT	18.65	3.44	3.95	0.86	L729
Falcon	1590	54	19	BYNA56R15HT	17.56	BYNA56RHT	18.65	3.44	3.95	0.86	L729
Chukar	1780	84	19	BYNA58R15HT	18.28	BYNA58RHT	18.59	3.47	3.95	0.80	L735
Bluebird	2156	84	19	BYNA59R15HT	17.95	BYNA59RHT	18.43	3.57	3.95	0.64	L735
Kiwi	2167	72	7	BYNA59R15HT	17.95	BYNA59RHT	18.43	3.57	3.95	0.64	L735

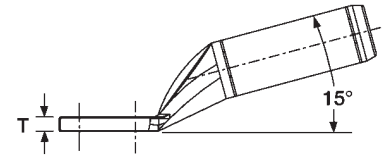
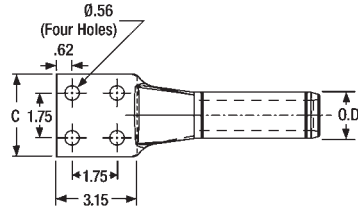
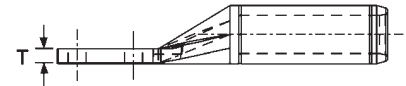
To specify hardware for bolting to corresponding dead-ends add the suffix "H" to the catalog number (example: BYNA52RHHT).

* Overlap crimps.
‡ Wide dies may be used on aluminum only (no steel), add suffix "W" to part number (example: L725W).

TYPES BYNA-RT15HT,
BYNA-RTHT EHV

Compression Terminal
for ACSS Conductor

Compression terminal for 250°C ACSS
transmission lines at 345 kV and over.



Conductor Name	ACSS		15° Terminal		Straight Terminal		Inches			Die*†	
	Size kcmil	Stranding		Catalog Number	Inches L	Catalog Number	Inches L	C	D		T
		Alum.	Steel								
Linnet	336.4	26	7	BYNA32RT15HT	16.41	BYNA32RTHT	16.56	3.25	4.50	0.75	L717
Oriole	336.4	30	7	BYNA32RT15HT	16.41	BYNA32RTHT	16.56	3.25	4.50	0.75	L717
Ibis	397.5	26	7	BYNA34RT15HT	16.45	BYNA34RTHT	16.60	3.25	4.50	0.75	L719
Flicker	477	24	7	BYNA36RT15HT	16.76	BYNA36RTHT	16.92	3.25	4.50	0.75	L720
Hawk	477	26	7	BYNA36RT15HT	16.76	BYNA36RTHT	16.92	3.25	4.50	0.75	L720
Parakeet	556.5	24	7	BYNA39RT15HT	17.12	BYNA39RTHT	17.30	3.25	4.50	0.75	L722
Dove	556.5	26	7	BYNA39RT15HT	17.12	BYNA39RTHT	17.30	3.25	4.50	0.75	L722
Peacock	605	24	7	BYNA43RT15HT	14.41	BYNA43RTHT	15.46	3.07	3.95	0.36	L724
Squab	605	26	7	BYNA43RT15HT	14.41	BYNA43RTHT	15.46	3.07	3.95	0.36	L724
Rook	636	24	7	BYNA43RT15HT	14.41	BYNA43RTHT	15.46	3.07	3.95	0.36	L724
Grosbeak	636	26	7	BYNA43RT15HT	14.41	BYNA43RTHT	15.46	3.07	3.95	0.36	L724
Flamingo	666.6	24	7	BYNA43RT15HT	14.41	BYNA43RTHT	15.46	3.07	3.95	0.36	L724
Starling	715.5	26	7	BYNA451RT15HT	15.10	BYNA451RTHT	15.46	3.22	3.95	0.45	L725
Cuckoo	795	24	7	BYNA451RT15HT	15.10	BYNA451RTHT	15.46	3.22	3.95	0.45	L725
Drake	795	26	7	BYNA451RT15HT	15.10	BYNA451RTHT	15.46	3.22	3.95	0.45	L725
Tern	795	45	7	BYNA451RT15HT	15.10	BYNA451RTHT	15.46	3.22	3.95	0.45	L725
Condor	795	54	7	BYNA451RT15HT	15.10	BYNA451RTHT	15.46	3.22	3.95	0.45	L725
Ruddy	900	45	7	BYNA49RT15HT	15.14	BYNA49RTHT	15.66	3.22	3.95	0.52	L727
Rail	954	45	7	BYNA49RT15HT	15.14	BYNA49RTHT	15.66	3.22	3.95	0.52	L727
Cardinal	954	54	7	BYNA49RT15HT	15.14	BYNA49RTHT	15.66	3.22	3.95	0.52	L727
Ortolan	1033.5	45	7	BYNA49RT15HT	15.14	BYNA49RTHT	15.66	3.22	3.95	0.52	L727
Curlew	1033.5	54	7	BYNA49RT15HT	15.14	BYNA49RTHT	15.66	3.22	3.95	0.52	L727
Bluejay	1113	45	7	BYNA49RT15HT	15.14	BYNA49RTHT	15.66	3.22	3.95	0.52	L727
Finch	1113	54	19	BYNA52RT15HT	16.81	BYNA52RTHT	18.71	3.22	3.95	0.71	L728
Bunting	1192.5	45	7	BYNA52RT15HT	16.81	BYNA52RTHT	18.71	3.22	3.95	0.71	L728
Bittern	1272	45	7	BYNA52RT15HT	16.81	BYNA52RTHT	18.71	3.22	3.95	0.71	L728
Pheasant	1272	54	19	BYNA52RT15HT	16.81	BYNA52RTHT	18.71	3.22	3.95	0.71	L728
Dipper	1351.5	45	7	BYNA52RT15HT	16.81	BYNA52RTHT	18.71	3.22	3.95	0.71	L728
Martin	1351.5	54	19	BYNA52RT15HT	16.81	BYNA52RTHT	18.71	3.22	3.95	0.71	L728
Nuthatch	1510.5	45	7	BYNA56RT15HT	17.56	BYNA56RTHT	18.65	3.44	3.95	0.86	L729
Parrot	1510.5	54	19	BYNA56RT15HT	17.56	BYNA56RTHT	18.65	3.44	3.95	0.86	L729
Lapwing	1590	45	7	BYNA56RT15HT	17.56	BYNA56RTHT	18.65	3.44	3.95	0.86	L729
Falcon	1590	54	19	BYNA56RT15HT	17.56	BYNA56RTHT	18.65	3.44	3.95	0.86	L729
Chukar	1780	84	19	BYNA58RT15HT	18.28	BYNA58RTHT	18.59	3.47	3.95	0.80	L735
Bluebird	2156	84	19	BYNA59RT15HT	17.95	BYNA59RTHT	18.43	3.57	3.95	0.64	L735
Kiwi	2167	72	7	BYNA59RT15HT	17.95	BYNA59RTHT	18.43	3.57	3.95	0.64	L735

To specify hardware for bolting to corresponding dead-ends add the suffix "H" to the catalog number (example: BYNA52RHHT).

* Overlap crimps.
† Wide dies may be used on aluminum only (no steel), add suffix "W" to part number (example: L725W).

I-23

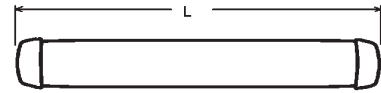
Transmission ACSS Jumper Sleeve

BURNDY®

TYPE BYNS-RHT

Jumper Loop Sleeve for ACSS Conductor

Jumper sleeve for 250°C ACSS transmission lines up to and including 230 kV. Sleeve is pre-filled with PENETROX™ joint compound and capped.



I-24

ACSS				Jumper Sleeve	Inches L	Die*‡
Conductor Name	Size kcmil	Stranding				
		Alum.	Steel			
Linnet	336.4	26	7	BYNS32RHT	16.90	L717
Oriole	336.4	30	7	BYNS32RHT	16.90	L717
Ibis	397.5	26	7	BYNS34RHT	17.10	L719
Flicker	477	24	7	BYNS36RHT	17.60	L720
Hawk	477	26	7	BYNS36RHT	17.60	L720
Parakeet	556.5	24	7	BYNS39RHT	18.20	L722
Dove	556.5	26	7	BYNS39RHT	18.20	L722
Peacock	605	24	7	BYNS43RHT	18.50	L724
Squab	605	26	7	BYNS43RHT	18.50	L724
Rook	636	24	7	BYNS43RHT	18.50	L724
Grosbeak	636	26	7	BYNS43RHT	18.50	L724
Flamingo	666.6	24	7	BYNS43RHT	18.50	L724
Starling	715.5	26	7	BYNS451RHT	18.60	L725
Cuckoo	795	24	7	BYNS451RHT	18.60	L725
Drake	795	26	7	BYNS451RHT	18.60	L725
Tern	795	45	7	BYNS451RHT	18.60	L725
Condor	795	54	7	BYNS451RHT	18.60	L725
Ruddy	900	45	7	BYNS49RHT	18.70	L727
Rail	954	45	7	BYNS49RHT	18.70	L727
Cardinal	954	54	7	BYNS49RHT	18.70	L727
Ortolan	1033.5	45	7	BYNS49RHT	18.70	L727
Curlew	1033.5	54	7	BYNS49RHT	18.70	L727
Bluejay	1113	45	7	BYNS49RHT	18.70	L727
Finch	1113	54	19	BYNS52RHT	24.20	L728
Bunting	1192.5	45	7	BYNS52RHT	24.20	L728
Bittern	1272	45	7	BYNS52RHT	24.20	L728
Pheasant	1272	54	19	BYNS52RHT	24.20	L728
Dipper	1351.5	45	7	BYNS52RHT	24.20	L728
Martin	1351.5	54	19	BYNS52RHT	24.20	L728
Nuthatch	1510.5	45	7	BYNS56RHT	23.60	L729
Parrot	1510.5	54	19	BYNS56RHT	23.60	L729
Lapwing	1590	45	7	BYNS56RHT	23.60	L729
Falcon	1590	54	19	BYNS56RHT	23.60	L729
Chukar	1780	84	19	BYNS58RHT	23.40	L735
Bluebird	2156	84	19	BYNS59RHT	23.40	L735
Kiwi	2167	72	7	BYNS59RHT	23.20	L735

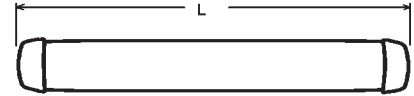
* Overlap crimps.

‡ Wide dies may be used on aluminum only (no steel), add suffix "W" to part number (example: L725W).

TYPE BYNS-RTHT EHV

**Jumper Loop Sleeve
for ACSS Conductor**

Jumper sleeve for 250°C ACSS transmission lines at 345 kV and over. Sleeve is pre-filled with PENETROX™ joint compound and capped.



ACSS				Jumper Sleeve	Inches L	Die*‡
Conductor Name	Size kcmil	Stranding				
		Alum.	Steel			
Linnet	336.4	26	7	BYNS32RTHT	18.84	L717
Oriole	336.4	30	7	BYNS32RTHT	18.84	L717
Ibis	397.5	26	7	BYNS34RTHT	18.98	L719
Flicker	477	24	7	BYNS36RTHT	19.52	L720
Hawk	477	26	7	BYNS36RTHT	19.52	L720
Parakeet	556.5	24	7	BYNS39RTHT	20.12	L722
Dove	556.5	26	7	BYNS39RTHT	20.12	L722
Peacock	605	24	7	BYNS43RTHT	20.24	L724
Squab	605	26	7	BYNS43RTHT	20.24	L724
Rook	636	24	7	BYNS43RTHT	20.24	L724
Grosbeak	636	26	7	BYNS43RTHT	20.24	L724
Flamingo	666.6	24	7	BYNS43RTHT	20.24	L724
Starling	715.5	26	7	BYNS451RTHT	20.36	L725
Cuckoo	795	24	7	BYNS451RTHT	20.36	L725
Drake	795	26	7	BYNS451RTHT	20.36	L725
Tern	795	45	7	BYNS451RTHT	20.36	L725
Condor	795	54	7	BYNS451RTHT	20.36	L725
Ruddy	900	45	7	BYNS49RTHT	20.42	L727
Rail	954	45	7	BYNS49RTHT	20.42	L727
Cardinal	954	54	7	BYNS49RTHT	20.42	L727
Ortolan	1033.5	45	7	BYNS49RTHT	20.42	L727
Curlew	1033.5	54	7	BYNS49RTHT	20.42	L727
Bluejay	1113	45	7	BYNS49RTHT	20.42	L727
Finch	1113	54	19	BYNS52RTHT	25.96	L728
Bunting	1192.5	45	7	BYNS52RTHT	25.96	L728
Bittern	1272	45	7	BYNS52RTHT	25.96	L728
Pheasant	1272	54	19	BYNS52RTHT	25.96	L728
Dipper	1351.5	45	7	BYNS52RTHT	25.96	L728
Martin	1351.5	54	19	BYNS52RTHT	25.96	L728
Nuthatch	1510.5	45	7	BYNS56RTHT	25.34	L729
Parrot	1510.5	54	19	BYNS56RTHT	25.34	L729
Lapwing	1590	45	7	BYNS56RTHT	25.34	L729
Falcon	1590	54	19	BYNS56RTHT	25.34	L729
Chukar	1780	84	19	BYNS58RTHT	25.22	L735
Bluebird	2156	84	19	BYNS59RTHT	24.9	L735
Kiwi	2167	72	7	BYNS59RTHT	24.9	L735

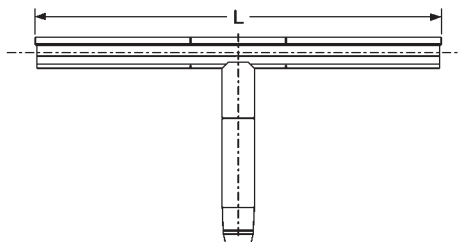
* Overlap crimps.
‡ Wide dies may be used on aluminum only (no steel), add suffix "W" to part number (example: L725W).

TYPE YNT-R-RHT

Compression T-Tap for ACSS Conductor



Two piece compression T-Tap for ACSS transmission lines that include up to 230 kV. Tap element is pre-filled with PENETROX™ joint compound and sealed.



* For EHV applications, add "T"
to catalog number (example:
YNT49R49RTHT)

I-26

Conductor Name	ACSS		T-Tap*	Inches		Die*‡	
	Size kcmil	Stranding		L	H		
		Alum.					Steel
Linnet	336.4	26	7	YNT32R32RHT	23.46	10.39	L717
Oriole	336.4	30	7	YNT32R32RHT	23.46	10.39	L717
Ibis	397.5	26	7	YNT34R34RHT	23.60	10.53	L719
Flicker	477	24	7	YNT36R36RHT	24.29	10.85	L720
Hawk	477	26	7	YNT36R36RHT	24.29	10.85	L720
Parakeet	556.5	24	7	YNT39R39RHT	24.69	11.13	L722
Dove	556.5	26	7	YNT39R39RHT	24.69	11.13	L722
Peacock	605	24	7	YNT43R43RHT	25.48	11.20	L724
Squab	605	26	7	YNT43R43RHT	25.48	11.20	L724
Rook	636	24	7	YNT43R43RHT	25.48	11.20	L724
Grosbeak	636	26	7	YNT43R43RHT	25.48	11.20	L724
Flamingo	666.6	24	7	YNT43R43RHT	25.48	11.20	L724
Starling	715.5	26	7	YNT451R451RHT	25.60	11.70	L725
Cuckoo	795	24	7	YNT451R451RHT	25.60	11.70	L725
Drake	795	26	7	YNT451R451RHT	25.60	11.70	L725
Tern	795	45	7	YNT451R451RHT	25.60	11.70	L725
Condor	795	54	7	YNT451R451RHT	25.60	11.70	L725
Ruddy	900	45	7	YNT49R49RHT	25.66	11.90	L727
Rail	954	45	7	YNT49R49RHT	25.66	11.90	L727
Cardinal	954	54	7	YNT49R49RHT	25.66	11.90	L727
Ortolan	1033.5	45	7	YNT49R49RHT	25.66	11.90	L727
Curlew	1033.5	54	7	YNT49R49RHT	25.66	11.90	L727
Bluejay	1113	45	7	YNT49R49RHT	25.66	11.90	L727
Finch	1113	54	19	YNT52R52RHT	29.61	15.10	L728
Bunting	1192.5	45	7	YNT52R52RHT	29.61	15.10	L728
Bittern	1272	45	7	YNT52R52RHT	29.61	15.10	L728
Pheasant	1272	54	19	YNT52R52RHT	29.61	15.10	L728
Dipper	1351.5	45	7	YNT52R52RHT	29.61	15.10	L728
Martin	1351.5	54	19	YNT52R52RHT	29.61	15.10	L728
Nuthatch	1510.5	45	7	YNT56R56RHT	31.65	15.08	L729
Parrot	1510.5	54	19	YNT56R56RHT	31.65	15.08	L729
Lapwing	1590	45	7	YNT56R56RHT	31.65	15.08	L729
Falcon	1590	54	19	YNT56R56RHT	31.65	15.08	L729
Chukar	1780	84	19	YNT58R58RHT	31.53	15.02	L735
Bluebird	2156	84	19	YNT59R59RHT	31.21	14.86	L735
Kiwi	2167	72	7	YNT59R59RHT	31.21	14.86	L735

* Overlap crimps.

‡ Wide dies may be used on aluminum only (no steel), add suffix "W" to part number (example: L725W).

For EHV applications add "T" to the catalog number (example: YNT49R49RTHT).

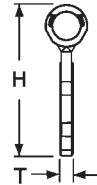
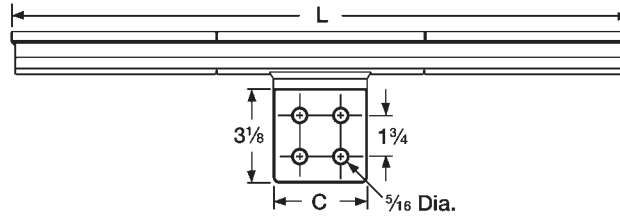
TYPE YNTA-RHT

**T-Tap with Pad
for ACSS Conductor**



Two piece compression T-Tap to a NEMA pad for ACSS transmission lines. Up to and including 230 kV.

*** For EHV applications, add "T" to catalog number (example: YNTA49RHT); should be used with (2) two tap pad shielding caps, catalog series STS-A-NCG**



ACSS				T-Tap with Pad	Inches				Die*‡
Conductor Name	Size kcmil	Stranding			L	C	H	T	
		Alum.	Steel						
Linnet	336.4	26	7	YNTA32RHT	23.46	3.25	4.94	0.50	L717
Oriole	336.4	30	7	YNTA32RHT	23.46	3.25	4.94	0.50	L717
Ibis	397.5	26	7	YNTA34RHT	23.60	3.25	5.05	0.50	L719
Flicker	477	24	7	YNTA36RHT	24.29	3.25	5.16	0.56	L720
Hawk	477	26	7	YNTA36RHT	24.29	3.25	5.16	0.56	L720
Parakeet	556.5	24	7	YNTA39RHT	24.69	3.25	5.25	0.56	L722
Dove	556.5	26	7	YNTA39RHT	24.69	3.25	5.25	0.56	L722
Peacock	605	24	7	YNTA43RHT	25.48	3.25	5.36	0.56	L724
Squab	605	26	7	YNTA43RHT	25.48	3.25	5.36	0.56	L724
Rook	636	24	7	YNTA43RHT	25.48	3.25	5.36	0.56	L724
Grosbeak	636	26	7	YNTA43RHT	25.48	3.25	5.36	0.56	L724
Flamingo	666.6	24	7	YNTA43RHT	25.48	3.25	5.36	0.56	L724
Starling	715.5	26	7	YNTA451RHT	25.60	3.25	5.55	0.56	L725
Cuckoo	795	24	7	YNTA451RHT	25.60	3.25	5.55	0.56	L725
Drake	795	26	7	YNTA451RHT	25.60	3.25	5.55	0.56	L725
Tern	795	45	7	YNTA451RHT	25.60	3.25	5.55	0.56	L725
Condor	795	54	7	YNTA451RHT	25.60	3.25	5.55	0.56	L725
Ruddy	900	45	7	YNTA49RHT	25.66	3.25	5.72	0.56	L727
Rail	954	45	7	YNTA49RHT	25.66	3.25	5.72	0.56	L727
Cardinal	954	54	7	YNTA49RHT	25.66	3.25	5.72	0.56	L727
Ortolan	1033.5	45	7	YNTA49RHT	25.66	3.25	5.72	0.56	L727
Curlew	1033.5	54	7	YNTA49RHT	25.66	3.25	5.72	0.56	L727
Bluejay	1113	45	7	YNTA49RHT	25.66	3.25	5.72	0.56	L727
Finch	1113	54	19	YNTA54RHT	29.61	3.25	6.00	0.69	L728
Bunting	1192.5	45	7	YNTA54RHT	29.61	3.25	6.00	0.69	L728
Bittern	1272	45	7	YNTA54RHT	29.61	3.25	6.00	0.69	L728
Pheasant	1272	54	19	YNTA54RHT	29.61	3.25	6.00	0.69	L728
Dipper	1351.5	45	7	YNTA54RHT	29.61	3.25	6.00	0.69	L728
Martin	1351.5	54	19	YNTA54RHT	29.61	3.25	6.00	0.69	L728
Nuthatch	1510.5	45	7	YNTA56RHT	31.65	3.59	6.25	0.69	L729
Parrot	1510.5	54	19	YNTA56RHT	31.65	3.59	6.25	0.69	L729
Lapwing	1590	45	7	YNTA56RHT	31.65	3.59	6.25	0.69	L729
Falcon	1590	54	19	YNTA56RHT	31.65	3.59	6.25	0.69	L729
Chukar	1780	84	19	YNTA58RHT	31.53	3.59	6.25	0.69	L735
Bluebird	2156	84	19	YNTA59RHT	31.21	3.59	6.25	0.69	L735
Kiwi	2167	72	7	YNTA59RHT	31.21	3.59	6.25	0.69	L735

For EVH applications, add suffix "T" to catalog number (example: YNTA49RHT).

For EHV applications (2) two tap pad shielding caps (catalog number STS-A-NCG) should be ordered.

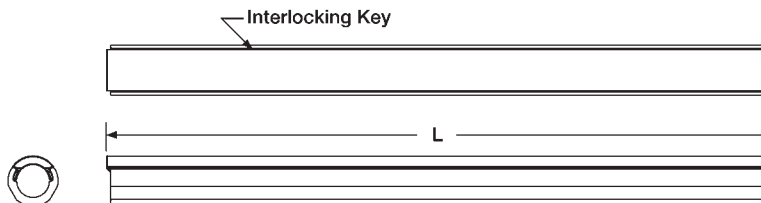
* Overlap crimps.

‡ Wide dies may be used on aluminum only, add suffix "W" to part number (example: L725W).

TYPE YNU-RHT

Repair Sleeve for ACSS Conductor

For HV and EHV applications. Two-piece repair sleeve for temporary restoration of conductivity to damaged ACSS transmission lines. Use of PENETROX™ joint compound required.



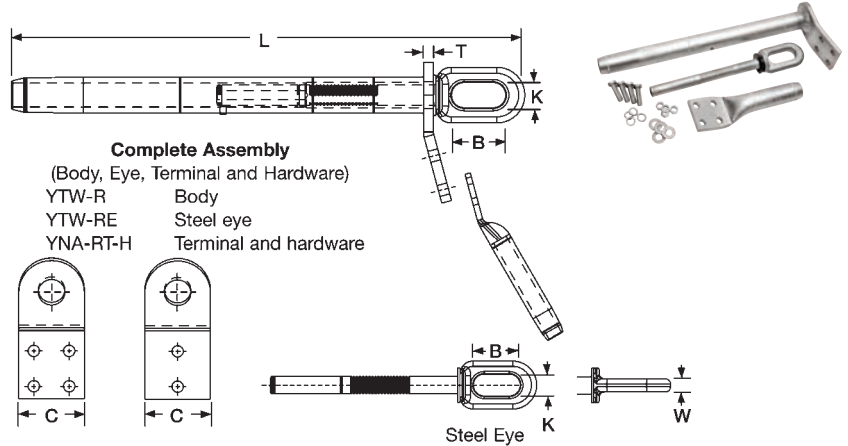
Conductor Name	ACSS		Repair Sleeve	Inches		
	Size kcmil	Stranding		L	Die*‡	
		Alum.	Steel			
Linnet	336.4	26	7	YNU32RHT	22.00	L717
Oriole	336.4	30	7	YNU32RHT	22.00	L717
Ibis	397.5	26	7	YNU34RHT	22.00	L719
Flicker	477	24	7	YNU36RHT	22.00	L720
Hawk	477	26	7	YNU36RHT	22.00	L720
Parakeet	556.5	24	7	YNU39RHT	24.00	L722
Dove	556.5	26	7	YNU39RHT	24.00	L722
Peacock	605	24	7	YNU43RHT	24.00	L724
Squab	605	26	7	YNU43RHT	24.00	L724
Rook	636	24	7	YNU43RHT	24.00	L724
Grosbeak	636	26	7	YNU43RHT	24.00	L724
Flamingo	666.6	24	7	YNU43RHT	24.00	L724
Starling	715.5	26	7	YNU451RHT	24.00	L725
Cuckoo	795	24	7	YNU451RHT	24.00	L725
Drake	795	26	7	YNU451RHT	24.00	L725
Tern	795	45	7	YNU451RHT	24.00	L725
Condor	795	54	7	YNU451RHT	24.00	L725
Ruddy	900	45	7	YNU49RHT	24.00	L727
Rail	954	45	7	YNU49RHT	24.00	L727
Cardinal	954	54	7	YNU49RHT	24.00	L727
Ortolan	1033.5	45	7	YNU49RHT	24.00	L727
Curlew	1033.5	54	7	YNU49RHT	24.00	L727
Bluejay	1113	45	7	YNU49RHT	24.00	L727
Finch	1113	54	19	YNU54RHT	24.00	L728
Bunting	1192.5	45	7	YNU54RHT	24.00	L728
Bittern	1272	45	7	YNU54RHT	24.00	L728
Pheasant	1272	54	19	YNU54RHT	24.00	L728
Dipper	1351.5	45	7	YNU54RHT	24.00	L728
Martin	1351.5	54	19	YNU54RHT	24.00	L728
Nuthatch	1510.5	45	7	YNU56RHT	27.00	L729
Parrot	1510.5	54	19	YNU56RHT	27.00	L729
Lapwing	1590	45	7	YNU56RHT	27.00	L729
Falcon	1590	54	19	YNU56RHT	27.00	L729
Chukar	1780	84	19	YNU58RHT	27.00	L735
Bluebird	2156	84	19	YNU59RHT	27.00	L735
Kiwi	2167	72	7	YNU59RHT	27.00	L735

* Overlap crimps.
‡ Wide dies may be used on aluminum only (no steel), add suffix "W" to part number (example: L725W).

TYPES YTW-A-AEK,
YTW-A, YTW-AE,
YNA-RH

Single Pad Full Tension Deadend
for Stranded Aluminum Cable

Full tension compression deadend for SAC transmission lines. One design for applications up to and including 230 kV. Two hole NEMA tap pad supplied through 636 kcmil. Larger sizes have 4 hole NEMA pad. Standard 15° tap pad when used with YNA-R15H terminal provides either 0° or 30° tap. Aluminum body is pre-filled with PENETROX™ joint compound and capped.



Aluminum			Single Pad		Inches			Steel Eye	Inches			Tools		Terminal with Hardware	Terminal Die*‡					
Conductor Name	kcmil	Str.	Complete Assembly	Aluminum Body	C	L	T		B	K	W	Die Index	Y60BHU*‡							
Tulip	336.4	19	YTW301A331AEK	YTW301A	2.25	9.62	0.50	2.50	0.62	0.62	717	L717	YNA32R15H	L717						
	350	37																		
Canna	397.5	19	YTW311A331AEK	YTW311A		9.75							11.62	YTW331AE	0.88	0.62	719	L719	YNA34R15H	L719
	400	37																		
Cosmos	450	37	YTW331A331AEK	YTW331A		11.62							12.25	YTW351AE	0.69	0.62	720	L720	YNA36R15H	L720
	477	19																		
Syringa	477	37	YTW351A351AEK	YTW351A		12.25							12.75	YTW39AE	0.69	0.62	722	L722	YNA39R15H	L722
Hyacinth	500	37																		
Dahlia	556.5	19	YTW361A39AEK	YTW361A		14.38							14.75	YTW431AE	0.75	0.62	724	724	YNA43R15H	724
	Mistletoe	556.5																		
Orchid	600	61	YTW39A39AEK	YTW39A	14.38	14.75	YTW431AE	0.75	0.62	724	724	YNA43R15H	724							
	636	37																		
Violet	715.5	37	YTW391A431AEK	YTW391A	15.62	16.50	YTW431AE	0.75	0.62	725	L725	YNA451R15H	L725							
Nasturtium	715.5	61																		
Cattail	750	61	YTW445A463AEK	YTW445A	16.50	17.13	YTW463AE	1.25	1.00	727	L727	YNA49R15H	L727							
	Arbutus	795												37						
Lilac	795	61	YTW451A463AEK	YTW451A	16.50	17.13	YTW463AE	1.25	1.00	727	L727	YNA49R15H	L727							
	800	61																		
Anemone	874.5	37	YTW457A463AEK	YTW457A	16.50	17.13	YTW463AE	1.25	1.00	727	L727	YNA49R15H	L727							
Crocus	874.5	61																		
Magnolia	954	37	YTW47A47AEK	YTW47A	16.50	17.13	YTW463AE	1.25	1.00	727	L727	YNA49R15H	L727							
	Goldenrod	954												61						
Bluebell	1033.5	37	YTW47A47AEK	YTW47A	16.50	17.13	YTW463AE	1.25	1.00	727	L727	YNA49R15H	L727							
	Larkspur	1033.5												61						
Marigold	1113	37	YTW48A484AEK	YTW48A	16.50	17.13	YTW463AE	1.25	1.00	727	L727	YNA49R15H	L727							
	1113	61																		
Hawthorn	1192.6	61	YTW48A484AEK	YTW48A	16.50	17.13	YTW463AE	1.25	1.00	727	L727	YNA49R15H	L727							
Narcissus	1272	61																		
Columbine	1351.5	61	YTW48A484AEK	YTW48A	16.50	17.13	YTW463AE	1.25	1.00	727	L727	YNA49R15H	L727							
	Carnation	1431												61						
Coreopsis	1590	61	YTW48A484AEK	YTW48A	16.50	17.13	YTW463AE	1.25	1.00	727	L727	YNA49R15H	L727							
	Jessamine	1750												61						
Cowslip	2000	91	YTW486A486AEK	YTW486A	18.50	18.50	YTW47AE	1.25	1.00	728	L728	YNA52R15H	L728							
	Sagebrush	2250												91						
Lupine	2300	61	YTW486A486AEK	YTW486A	18.50	18.50	YTW484AE	1.25	1.00	735	L735	YNA58R15H	L735							
	2500	91																		
							YTW486AE	4.00	3.12	1.25	740	L740	YNA59R15H	L740						

* Overlap Crimp.

‡ Wide dies may be used on aluminum only, add suffix "W" to part number (example: L725W).

Complete Assembly: Includes Aluminum Body, Steel eye, 15 degree terminal and aluminum hardware. For stainless steel hardware add SS to the end of the catalog number. For complete assembly (example:

YTW391A431AEKSS) or to terminal (YNA43R15HSS) if ordered separately. For assembly without terminal and hardware add NT to the end of the complete catalog number (example: YTW391A431AEKNT).

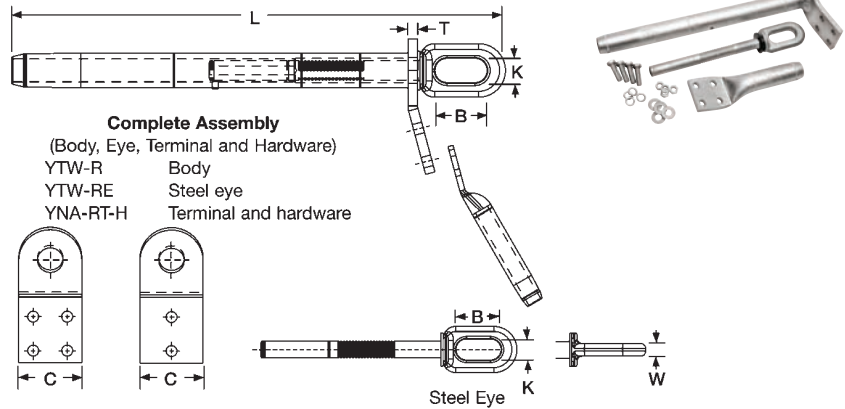
Transmission AAC/ACAR Deadends-EHV

BURNDY®

TYPES YTW-AT-AEK, YTW-AT, YTW-AE, YNA-RTH EHV

Single Pad, EHV Full Tension Deadend for Stranded Aluminum Cable

Full tension compression deadend for SAC transmission lines at 345 kV and over. Two hole NEMA tap pad supplied through 636 kcmil. Larger sizes have 4 hole NEMA pad. Standard 15° tap pad when used with YNAR15H terminal provides either 0° or 30° tap. Aluminum body is pre-filled with PENETROX™ joint compound and capped.



I-30

Aluminum			Single Pad		Inches			Steel Eye	Inches			Tools		Terminal with Hardware	Terminal Die*‡
Conductor Name	kcmil	Str.	Complete Assembly	Aluminum Body	C	L	T		B	K	W	Die Index	Y60BHU*‡		
Tulip	336.4	19	YTW301AT331AEK	YTW301AT	2.25	9.62	0.50	2.50	0.88	0.62	717	L717	YNA32RT15H	L717	
	350	37													
Canna	397.5	19	YTW311AT331AEK	YTW311AT											
	400	37													
Cosmos	450	37	YTW331AT331AEK	YTW331AT											
	477	19													
Syringa	477	37													
Hyacinth	500	37													
Dahlia	556.5	19	YTW351T351AEK	YTW351AT											
Mistletoe	556.5	37													
Orchid	600	61	YTW361AT39AEK	YTW361AT	3.25	14.75	0.62	2.69	1.25	1.00	722	L722	YNA39RT15H	L722	
	636	37													
Violet	715.5	37													
Nasturtium	715.5	61	YTW39AT39AEK	YTW39AT											
Cattail	750	61													
Arbutus	795	37													
Lilac	795	61	YTW391AT431AEK	YTW391AT											
	800	61													
Anemone	874.5	37													
Crocus	874.5	61	YTW431AT431AEK	YTW431AT											
Magnolia	954	37													
Goldenrod	954	61													
Bluebell	1033.5	37	YTW445AT463AEK	YTW445AT											
Larkspur	1033.5	61													
Marigold	1113	37	YTW451AT463AEK	YTW451AT											
	1113	61													
Hawthorn	1192.6	61													
Narcissus	1272	61													
Columbine	1351.5	61	YTW457AT463AEK	YTW457AT	4.00	16.50	0.62	4.00	3.12	1.25	740	L740	YNA59RT15H	L740	
Carnation	1431	61													
Coreopsis	1590	61	YTW463AT463AEK	YTW463AT											
Jessamine	1750	61													
Cowslip	2000	91	YTW47AT47AEK	YTW47AT											
Sagebrush	2250	91													
Lupine	2300	61	YTW48AT484AEK	YTW48AT											
	2500	91													
			YTW484AT484AEK	YTW484AT											
			YTW486AT486AEK	YTW486AT											

* Overlap Crimp.

‡ Wide dies may be used on aluminum only, add suffix "W" to part number (example: L725W).

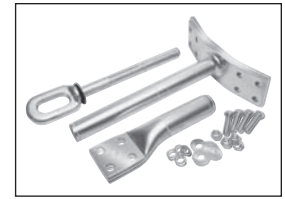
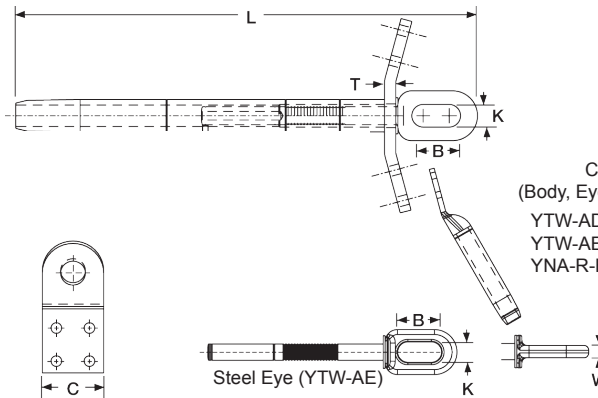
Complete Assembly: Includes Aluminum Body, Steel eye, 15 degree terminal and aluminum hardware. For stainless steel hardware add SS to the end of the catalog number. For complete assembly (example: YTW391A431AEKNT).

YTW391A431AEKSS) or to terminal (YNA43R15HSS) if ordered separately. For assembly without terminal and hardware add NT to the end of the complete catalog number (example: YTW391A431AEKNT).

**TYPES YTW-AD-AEK,
YTW-AD, YTW-AE,
YNA-RH**

**Double Pad Full Tension
Deadend for Stranded
Aluminum Cable**

Full tension compression deadend for SAC transmission lines. One design for applications up to and including 230 kV. Two hole NEMA tap pad supplied through 636 kcmil. Larger sizes have 4 hole NEMA pad. Standard 15° tap pad when used with YNAR15H terminal provides either 0° or 30° tap. Aluminum body is pre-filled with PENETROX™ joint compound and capped.



Complete Assembly
(Body, Eye, Terminal and Hardware)
YTW-AD Body
YTW-AE Steel eye
YNA-R-H Terminal and hardware

Conductor Name	Aluminum		Double Pad		Inches			Steel Eye	Inches			Tools		Terminal with Hardware	Terminal Die*‡														
	kcmil	Str.	Complete Assembly	Aluminum Body	C	L	T		B	K	W	Die Index	Y60BHU*‡																
Tulip	336.4	19	YTW301AD331AEK	YTW301AD	2.25	9.62	0.50	YTW331AE	2.50	0.88	0.62	717	L717	YNA32R15H	L717														
	350	37																											
Canna	397.5	19	YTW311AD331AEK	YTW311AD												9.75	11.62	YTW351AE	720	L720	YNA36R15H	L720							
	400	37																											
Cosmos	450	37	YTW331AD331AEK	YTW331AD												12.25	YTW39AE	722	L722	YNA39R15H	L722								
	477	19																											
Syringa	477	37	YTW39AD39AEK	YTW39AD												14.38	YTW431AE	724	L724	YNA43R15H	L724								
Hyacinth	500	37																											
Dahlia	556.5	19																				YTW351AD351AEK	YTW351AD	14.75	YTW445AD	725	L725	YNA45R15H	L725
	556.5	37																											
Mistletoe	600	61			YTW361AD39AEK	YTW361AD	15.62	YTW463AE	727	L727	YNA49R15H	L727																	
	636	37																											
Orchid	715.5	37			YTW431AD431AEK	YTW431AD	16.50	YTW47AE	728	L728	YNA52R15H	L728																	
Violet	715.5	61																											
Nasturtium	750	61											YTW445AD463AEK	YTW445AD	17.13							YTW484AE	735	L735	YNA58R15H	L735			
Cattail	750	61																											
Arbutus	795	61	YTW451AD463AEK	YTW451AD									18.50	YTW486AE	740	L740	YNA59R15H	L740											
	Lilac	800																	61										
Anemone	874.5	37	YTW463AD463AEK	YTW463AD									16.38	YTW47AE	735	L735	YNA58R15H	L735											
	Crocus	874.5																	61										
Magnolia	954	37	YTW47AD47AEK	YTW47AD									16.38	YTW484AE	735	L735	YNA58R15H	L735											
	Goldenrod	954																	61										
Bluebell	1033.5	37	YTW48AD484AEK	YTW48AD	18.50	YTW486AE	740	L740	YNA59R15H	L740																			
	Larkspur	1033.5									61																		
Marigold	1113	37	YTW451AD463AEK	YTW451AD	18.50	YTW486AE	740	L740	YNA59R15H	L740																			
	1113	61																											
Hawthorn	1192.6	61	YTW457AD463AEK	YTW457AD	4.00	0.62	YTW484AE	735	L735	YNA58R15H	L735																		
Narcissus	1272	61																											
Columbine	1351.5	61										YTW463AD463AEK	YTW463AD	16.38	YTW484AE	735	L735	YNA58R15H	L735										
	Carnation	1431																		61									
Coreopsis	1590	61										YTW47AD47AEK	YTW47AD	16.38	YTW484AE	735	L735	YNA58R15H	L735										
	Jessamine	1750																		61									
Cowslip	2000	91										YTW48AD484AEK	YTW48AD	18.50	YTW486AE	740	L740	YNA59R15H	L740										
	Sagebrush	2250																		91									
Lupine	2300	61										YTW486AD486AEK	YTW486AD	18.50	YTW486AE	740	L740	YNA59R15H	L740										
	2500	91																											

* Overlap Crimp.

‡ Wide dies may be used on aluminum only, add suffix "W" to part number (example: L725W).

Complete Assembly: Includes Aluminum Body, Steel eye, 15 degree terminal and aluminum hardware. For stainless steel hardware add SS to the end of the catalog number. For complete assembly (example:

YTW391A431AEKSS) or to terminal (YNA43R15HSS) if ordered separately. For assembly without terminal and hardware add NT to the end of the complete catalog number (example: YTW391A431AEKNT).

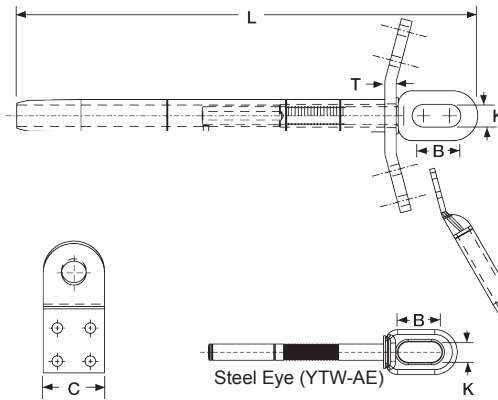
Transmission AAC/ACAR Deadends-EHV

BURNDY®

TYPES YTW-ADT-AEK, YTW-ADT, YTW-AE, YNA-RTH EHV

Double Pad, EHV Full Tension Deadend for Stranded Aluminum Cable

Full tension compression deadend for SAC transmission line at 345 kV and over. Two hole NEMA tap pad supplied through 636 kcmil. Larger sizes have 4 hole NEMA pad. Standard 15° tap pad when used with YNAR15H terminal provides either 0° or 30° tap. Aluminum body is pre-filled with PENETROX™ joint compound and capped.



Complete Assembly
(Body, Eye, Terminal and Hardware)
YTW-AD Body
YTW-AE Steel eye
YNA-R-H Terminal and hardware

I-32

Aluminum			Double Pad		Inches			Steel Eye	Inches			Tools		Terminal with Hardware	Terminal Die*‡		
Conductor Name	kcmil	Str.	Complete Assembly	Aluminum Body	C	L	T		B	K	W	Die Index	Y60BHU*‡				
Tulip	336.4	19	YTW301ADT331AEK	YTW301ADT	2.25	9.62		2.50	0.88	0.62	717	L717	YNA32R15H	L717			
	350	37															
Canna	397.5	19	YTW311ADT331AEK	YTW311ADT		9.75					11.62	YTW351AE	0.69	719	L719	YNA34R15H	L719
	400	37															
Cosmos	450	37	YTW331ADT331AEK	YTW331ADT		12.25					12.75	YTW39AE	0.69	722	L722	YNA39R15H	L722
	477	19															
Syringa	477	37	YTW351ADT351AEK	YTW351ADT		12.75					14.38	YTW431AE	0.75	724	L724	YNA43R15H	L724
Hyacinth	500	37															
Dahlia	556.5	19	YTW361ADT39AEK	YTW361ADT		14.75					15.62	YTW463AE	1.25	725	L725	YNA45R15H	L725
Mistletoe	556.5	37															
Orchid	600	61	YTW391ADT431AEK	YTW391ADT	15.62	16.50	YTW47AE	1.00	727	L727	YNA49R15H	L727					
	636	37															
Violet	715.5	37	YTW431ADT431AEK	YTW431ADT	16.50	17.13	YTW48AE	1.00	728	L728	YNA52R15H	L728					
Nasturtium	715.5	61															
Cattail	750	61	YTW445ADT463AEK	YTW445ADT	17.13	16.38	YTW484AE	1.00	735	L735	YNA58R15H	L735					
	Arbutus	795											37				
Lilac	795	61	YTW451ADT463AEK	YTW451ADT	18.50	18.50	YTW486AE	1.25	740	L740	YNA59R15H	L740					
	800	61															
Anemone	874.5	37	YTW47ADT47AEK	YTW47ADT	16.38	17.13	YTW484AE	1.00	735	L735	YNA58R15H	L735					
Crocus	874.5	61															
Magnolia	954	37	YTW48ADT484AEK	YTW48ADT	17.13	16.38	YTW484AE	1.00	735	L735	YNA58R15H	L735					
Goldenrod	954	61															
Bluebell	1033.5	37	YTW484ADT484AEK	YTW484ADT	17.13	16.38	YTW484AE	1.00	735	L735	YNA58R15H	L735					
	Larkspur	1033.5											61				
Marigold	1113	37	YTW486ADT486AEK	YTW486ADT	17.13	16.38	YTW484AE	1.00	735	L735	YNA58R15H	L735					
	1113	61															
Hawthorn	1192.6	61	YTW486ADT486AEK	YTW486ADT	17.13	16.38	YTW484AE	1.00	735	L735	YNA58R15H	L735					
Narcissus	1272	61															
Columbine	1351.5	61	YTW486ADT486AEK	YTW486ADT	17.13	16.38	YTW484AE	1.00	735	L735	YNA58R15H	L735					
Carnation	1431	61															
Coreopsis	1590	61	YTW486ADT486AEK	YTW486ADT	17.13	16.38	YTW484AE	1.00	735	L735	YNA58R15H	L735					
Jessamine	1750	61															
Cowslip	2000	91	YTW486ADT486AEK	YTW486ADT	17.13	16.38	YTW484AE	1.00	735	L735	YNA58R15H	L735					
Sagebrush	2250	91															
Lupine	2300	61	YTW486ADT486AEK	YTW486ADT	17.13	16.38	YTW484AE	1.00	735	L735	YNA58R15H	L735					
	2500	91															

* Overlap Crimp.

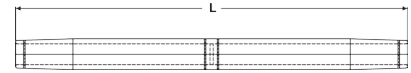
‡ Wide dies may be used on aluminum only, add suffix "W" to part number (example: L725W).

Complete Assembly: Includes Aluminum Body, Steel eye, 15 degree terminal and aluminum hardware. For stainless steel hardware add SS to the end of the catalog number. For complete assembly (example: YTW391A431AEKSS) or to terminal (YNA43R15HSS) if ordered separately. For assembly without terminal and hardware add NT to the end of the complete catalog number (example: YTW391A431AEKNT).

YTW391A431AEKSS) or to terminal (YNA43R15HSS) if ordered separately. For assembly without terminal and hardware add NT to the end of the complete catalog number (example: YTW391A431AEKNT).

TYPE YTS-A

Full Tension Splice for
Stranded Aluminum
Transmission Line



Full tension splice for Stranded Aluminum Transmission line up to and including 230 kV. Manufactured of aluminum tube with staked-in cable stop. Pre-filled with PENETROX™ joint compound and capped.

Catalog Number	Conductor			Inches L	Tool, Die Sets			
	Conductor Name	Aluminum			Die Index	Y45*	Y46*	Y60BHU* ‡
		kcmil	Strands					
YTS301A	Tulip	336.4	19	9.13	717	S725	P725	L717
YTS301A		350	37			S725	P725	
YTS311A	Canna	397.5	19	9.29	719	S719	P719	L719
YTS311A		400	37			S719	P719	
YTS331A	Cosmos	450	37	9.27		S719	P719	
YTS331A		477	19			S719	P719	
YTS331A	Syringa	477	37		S719	P719		
YTS351A	Hyacinth	500	37	11.18	720	S720	P720	L720
YTS351A	Dahlia	556.5	19			S720	P720	
YTS351A	Mistletoe	556.5	37			S720	P720	
YTS361A	Orchid	600	61	12.14	722	S722	P722	L722
YTS361A		636	37			S722	P722	
YTS39A	Violet	715.5	37	13.36	724	S724	P724	L724
YTS39A	Nasturtium	715.5	61			S724	P724	
YTS39A	Cattail	750	61			S724	P724	
YTS391A	Arbutus	795	37			S724	P724	
YTS391A	Lilac	795	61	15.81		S724	P724	
YTS391A		800	61		S724	P724		
YTS431A	Anemone	874.5	37	16.51	725	S725	P725	L725
YTS431A	Crocus	874.5	61			S725	P725	
YTS431A	Magnolia	954	37			S725	P725	
YTS431A	Goldenrod	954	61			S725	P725	
YTS445A	Bluebell	1033.5	37	18.51	727	—	—	L727
YTS445A	Larkspur	1033.5	61			—	—	
YTS445A	Marigold	1113	37			—	—	
YTS445A		1113	61			—	—	
YTS451A	Hawthorn	1192.6	61	18.40		—	—	
YTS451A	Nacrcissus	1272	61		—	—		
YTS457A	Columbine	1351.5	61	19.96	728	—	—	L728
YTS457A	Carnation	1431	61			—	—	
YTS463A	Coreopsis	1590	61	21.50		—	—	
YTS47A	Jessamine	1750	61	19.96	728	—	—	L728
YTS48A		2000	169	21.62	735	—	—	L735
YTS484A		2300	61	20.19		—	—	
YTS486A	Lupine	2500	91	24.28	740	—	—	L740

* Overlap Crimp.

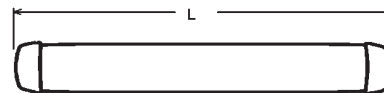
‡ Wide dies may be used on aluminum only, add suffix "W" to part number (example: L725W).

I-33

TYPE YTS-AR

Full Tension Splice for ACAR

Full tension splice for ACAR transmission lines up to and including 230 kV. Manufactured of aluminum tube with staked in cable stop. Pre-filled with PENETROX™ joint compound and capped.



I-34

Catalog Number	Conductor		Inches L	Tool, Die Sets			
	ACAR			Die Index	Y45*	Y46*	Y60BHU* ‡
	kcmil	Str.					
YTS32AR	395.1	12-7	15.18"	717	S717	P717	L717
	395.2	15-7					
YTS39AR	634.9	12-7	16.39"	722	S722	P722	L722
	649.5	18-19					
		15-4					
		12-7					
653.1	18-19						
YTS451AR	840.2	24-13	19.58"	725	S725	P725	L725
	853.7	30-7					
		24-13					
	862.7	18-19					
	927.2	30-7					
		24-13					
18-19							
YTS48AR	983.1	30-7	21.36"	727	—	—	L727
	1012.2	24-13					
	1024.5	30-7					
		24-13					
	1081	18-19					
		30-7					
24-13							
18-19							
YTS49AR	1109	30-7	21.42"	727	—	—	L727
		24-13					
		18-19					
	1172	30-7					
		24-13					
	1198	18-19					
30-7							
24-13							
YTS51AR	1277	42-19	21.56"	728	—	—	L728
		54-7					
	1280	30-7					
		24-13					
YTS55AR	1534	18-19	25.30"	728	—	—	L728
		42-19					
		54-7					
YTS59AR	2267	48-13	23.50"	—	—	—	**
		42-19					
	2338	54-7					
		48-13					
	2335	42-19					
72-19							
YTS592AR	2493	30-61	28.34"	—	—	—	***
		54-37					

* Overlap Crimp.

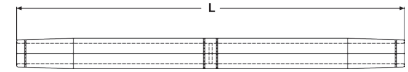
‡ Wide dies may be used on aluminum only, add suffix "W" to part number (example: L725W).

** Use die H814 in Alcoa Press H2H, die M814 in Alcoa Press 150B and die MH814 in Alcoa Press 100A. These dies are manufactured by BURNDY®.

***Use die H990 in Alcoa Press H2H, die M990 in Alcoa Press 150B and die MH990 in Alcoa Press 100A. These dies are manufactured by BURNDY®.

TYPE YTS-AT EHV

Full Tension Splice for
Stranded Aluminum
Transmission Line



Full tension splice for Stranded Aluminum Transmission line at 345 kV and over. Manufactured of aluminum tube with staked-in cable stop. Pre-filled with PENETROX™ joint compound and capped.

Catalog Number	Conductor			Inches L	Tool, Die Sets			
	Conductor Name	Aluminum			Die Index	Y45*	Y46*	Y60BHU* ‡
		kcmil	Strands					
YTS301AT	Tulip	336.4	19	9.75	717	S725	P725	L717
YTS301AT		350	37			S725	P725	
YTS311AT	Canna	397.5	19	9.99	719	S719	P719	L719
YTS311AT		400	37			S719	P719	
YTS331AT	Cosmos	450	37	10.01	719	S719	P719	L719
YTS331AT		477	19			S719	P719	
YTS331AT	Syringa	477	37	11.88	720	S719	P719	L720
YTS351AT	Hyacinth	500	37			S720	P720	
YTS351AT	Dahlia	556.5	19	12.92	722	S720	P720	L722
YTS351AT	Mistletoe	556.5	37			S722	P722	
YTS361AT	Orchid	600	61	14.36	724	S724	P724	L724
YTS361AT		636	37			S724	P724	
YTS39AT	Violet	715.5	37	16.36	725	S724	P724	L725
YTS39AT	Nasturtium	715.5	61			S725	P725	
YTS39AT	Cattail	750	61	19.24	727	S725	P725	L727
YTS39AT	Arbutus	795	37			S727	P727	
YTS391AT	Lilac	795	61	19.57	728	S724	P724	L728
YTS391AT		800	61			S728	P728	
YTS431AT	Anemone	874.5	37	21.08	728	—	—	L728
YTS431AT	Crocus	874.5	61			—	—	
YTS431AT	Magnolia	954	37	22.56	728	—	—	L728
YTS431AT	Goldenrod	954	61			—	—	
YTS445AT	Bluebell	1033.5	37	23.02	735	—	—	L735
YTS445AT	Larkspur	1033.5	61			—	—	
YTS445AT	Marigold	1113	37	24.28	740	—	—	L740
YTS445AT		1113	61			—	—	
YTS451AT	Hawthorn	1192.6	61	21.08	728	—	—	L728
YTS451AT	Narcissus	1272	61			—	—	
YTS457AT	Columbine	1351.5	61	22.56	728	—	—	L728
YTS457AT	Carnation	1431	61			—	—	
YTS463AT	Coreopsis	1590	61	23.02	735	—	—	L735
YTS47AT	Jessamine	1750	61			—	—	
YTS48AT	Lupine	2000	169	23.00	740	—	—	L740
YTS484AT		2300	61			—	—	
YTS486AT	Lupine	2500	91	24.28	740	—	—	L740

* Overlap Crimp.

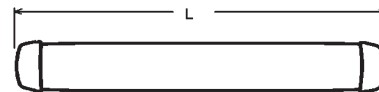
‡ Wide dies may be used on aluminum only, add suffix "W" to part number (example: L725W).

I-35

TYPE YTS-ART EHV

Full Tension Splice for ACAR

Full tension splice for ACAR transmission lines at 345 kV and over. Manufactured of aluminum tube with staked-in cable stop. Pre-filled with PENETROX™ joint compound and capped.



I-36

Catalog Number	Conductor		Inches L	Tool, Die Sets			
	ACAR			Die Index	Y45*	Y46*	Y60BHU* ‡
kcmil	Strands						
YTS32ART	395.1	12-7	15.52"	717	S717	P71 7	L717
	395.2	15-7					
YTS39ART	634.9	12-7	16.95"	722	S722	P722	L722
	649.5	18-19					
	653.1	15-4					
		12-7					
YTS451ART	840.2	24-13	20.36"	725	S725	P725	L725
	853.7	30-7					
	862.7	24-13					
		18-19					
	927.2	30-7					
		24-13					
YTS48ART	983.1	30-7	22.36"	727	—	—	L727
	1012.2	24-13					
	1024.5	30-7					
		24-13					
		18-19					
	1081	30-7					
		24-13					
		18-19					
YTS49ART	1109	30-7	22.38"	727	—	—	L727
	1172	24-13					
		18-19					
		30-7					
	1198	24-13					
		18-19					
		42-19					
	YTS51ART	1277					
1280		54-7					
		30-7					
		24-13					
YTS55ART	1534	42-19	26.40"	728	—	—	L728
	YTS59ART	2267	54-7	24.75"	814	—	—
2277		48-13					
		42-19					
		54-7					
2338		48-13					
		42-19					
2335	72-19						
	30-61						
YTS592ART	2493	54-37	29.40"	990	—	—	***

* Overlap Crimp.

‡ Wide dies may be used on aluminum only, add suffix "W" to part number (example: L725W).

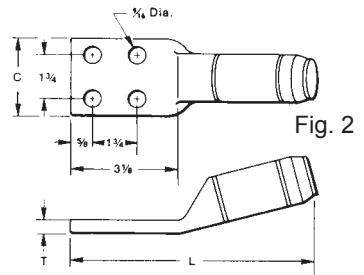
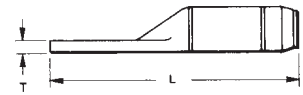
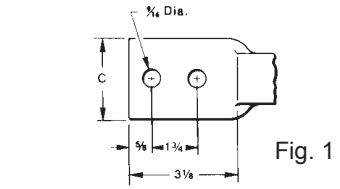
** Use die H814 in Alcoa Press H2H, die M814 in Alcoa Press 150B and die MH814 in Alcoa Press 100A. These dies are manufactured by BURNDY®.

***Use die H990 in Alcoa Press H2H, die M990 in Alcoa Press 150B and die MH990 in Alcoa Press 100A. These dies are manufactured by BURNDY®.

TYPES YNA-R15
& YNA-R

Compression Terminal for ACAR
and Stranded Aluminum Cable

Compression terminal ACAR and Stranded Aluminum Cable. Two hole NEMA tongue supplied through 650 kcmil Aluminum. For transmission line up to and including 230 kV supplied on tongue through 650 kcmil aluminum. Four hole NEMA supplied on larger sizes. When used with YTW Deadends the 15° angle tongue provides either a 0° or 30° tap. Uses same dies as equivalent full-tension sleeve or deadend. Barrel pre-filled with PENETROX™ joint compound and capped. Pad coated with oxide-retardant.



Catalog Number †		Conductor		Fig. #	C	L 15°	L Straight	T	Tools, Die Sets			
15°	Straight	ACAR	Aluminum						Die Index	Y45*	Y46*	Y60BHU‡
YNA32R15	YNA32R	395.1 - 395.2	336.4 - 350	1	1.68"	8.92"	8.96"	0.39"	717	S717	P717	L717
YNA34R15	YNA34R	—	397.5 - 477		1.78"	9.31"	9.08"	0.46"	719	S719	P719	L719
YNA36R15	YNA36R	—	500 - 556.5		1.96"	9.62"	9.47"	0.48"	720	S720	P720	L720
YNA39R15	YNA39R	634.9 - 653.1	600 - 650		2.08"	10.09"	9.84"	0.53"	722	S722	P722	L722
YNA43R15	YNA43R	—	700 - 800	2	3.07"	10.16"	10.07"	0.36"	724	S724	P724	L724
YNA451R15	YNA451R	840.2 - 927.2	795 - 1000		3.22"	10.21"	10.28"	0.45"	725	S725	P725	L725
YNA49R15	YNA49R	983.1 - 1198	1033.5 - 1272			10.35"	10.46"	0.52"	727			L727
YNA52R15	YNA52R	1277 - 1280	1351.5 - 1510			12.09"	12.24"	0.71"	728			L728
YNA54R15	YNA54R	1534	1590 - 1600	1	13.30"	13.46"	0.71"	728			L728	
YNA56R15	YNA56R	1650 (42/19 STR)	1700 - 1800	2	3.44"	12.50"	12.74"	0.86"	729	—	—	L729
YNA58R15	YNA58R	—	2000	1	3.47"	13.25"	13.34"	0.76"	735			L735
YNA59R15	YNA59R	—	2250 - 2300		3.57"	13.12"	13.25"	0.61"	735			L735
YNA594R15	YNA594R	2267 - 2500	2500		3.70"	12.81"	14.35"	0.68"	740			L740

† To specify mounting hardware for bolting to corresponding deadend pad, add suffix "H" to catalog number (example: YNA54RTH)

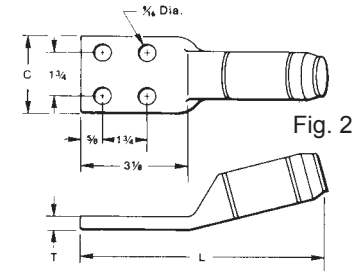
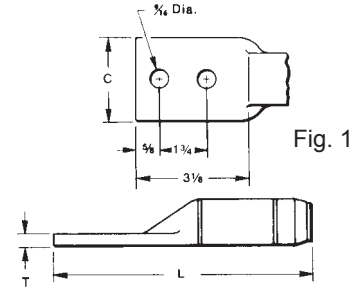
* Overlap Crimp.

‡ Wide dies may be used on aluminum only, add suffix "W" to part number (example: L725W).

TYPES YNA-RT15, YNA-RT, EHV

Compression Terminal for ACAR and Stranded Aluminum Cable

Compression terminal ACAR and Stranded Aluminum Cable. Two hole NEMA tongue supplied through 650 kcmil Aluminum. For transmission line up to and including 230 kV supplied on tongue through 650 kcmil Aluminum. Four hole NEMA supplied on larger sizes. When used with YTW Deadends the 15° angle tongue provides either a 0° or 30° tap. Uses same dies as equivalent full-tension sleeve or deadend. Barrel pre-filled with PENETROX™ joint compound and capped. Pad coated with oxide-retardant.



Catalog Number †		Conductor		Fig. No.	C	L 15°	L Straight	T	T 15	Tools, Die Sets				
15°	Straight	ACAR	Aluminum							Die Index	Y45*	Y46*	Y60BHU*‡	
YNA32RT15	YNA32RT	395.1 - 395.2	336.4 - 350	1	1.68"	9.04"	9.14"	0.39"	0.39"	717	S717	P717	L717	
YNA34RT15	YNA34RT	—	397.5 - 477		1.78"	9.21"	9.30"	0.46"	0.46"	719	S719	P719	L719	
YNA36RT15	YNA36RT	—	500 - 556.5		1.96"	9.63"	9.70"	0.48"	0.48"	720	S720	P720	L720	
YNA39RT15	YNA39RT	650 (37)	600 - 650		2.08"	10.02"	10.09"	0.53"	0.53"	722	S722	P722	L722	
YNA43RT15	YNA43RT	—	700 - 800	2	3.22"	10.21"	10.32"	0.36"	0.36"	724	S724	P724	L724	
YNA451RT15 ‡	YNA451RT ‡	850 (37) 900 (37)	795 - 1000			10.65"	10.57"	0.45"	0.45"	725	S725	P725	L725	
YNA49RT15 ‡	YNA49RT ‡	1000 (61) 1100 (61)	1033.5 - 1272			10.94"	10.77"	0.52"	0.52"	727	—	—	L727	
YNA52RT15 ‡	YNA52RT ‡	4 (7)	1351.5 - 1510			12.62"	13.82"	0.71"	0.71"	728	—	—	L728	
YNA54RT15 ‡	YNA54RT ‡	1534	1590 - 1600			—	—	0.71"	0.71"	728	—	—	L728	
YNA56RT15 ‡	YNA56RT ‡	1650 (42/19 STR)	1700 - 1800			3.44"	13.36"	13.76"	0.86"	0.86"	729	—	—	L729
YNA58RT15 ‡	YNA58RT ‡	—	2000			3.47"	14.08"	13.70"	0.80"	0.80"	735	—	—	L735
YNA59RT15 ‡	YNA59RT ‡	—	2250 - 2300			3.57"	13.75"	13.54"	0.64"	0.64"	735	—	—	L735
YNA594RT15 ‡	YNA594RT ‡	2267 - 2500	2500			3.70"	—	—	0.68"	0.68"	740	—	—	L740

† To specify mounting hardware for bolting to corresponding deadend pad, add suffix "H" to catalog number (example: YNA54RTH)

* Overlap crimps

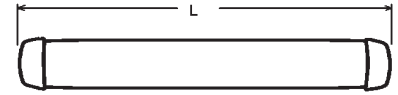
‡ Wide dies may be used, add suffix "W" to part number (example: L725W)

‡‡ If shielding caps are required for this item, use Catalog Number STS43A-4N

TYPE YNS-R

Jumper Loop Sleeve for ACAR and Stranded Aluminum Conductor

Jumper sleeve for ACAR and Stranded Aluminum Cable up to and including 230 kV. Sleeve prefilled with PENETROX™ joint compound and capped.



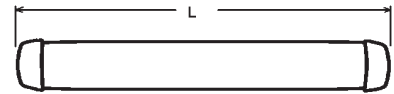
Catalog Number	Conductor		Inches L	Tools, Die Sets			
	ACAR	Aluminum		Y45*	Y46*	Y60BHU*‡	Die Index
YNS32R	336.4 - 350	336.4 - 350	8.60	S717	P717	L717	717
YNS34R	397.5 - 477	397.5 - 477	8.68	S719	P719	L719	719
YNS36R	500 - 556.5	500 - 556.5	9.20	S720	P720	L720	720
YNS39R	600 - 650	600 - 650	9.76	S722	P722	L722	722
YNS43R	700 - 800	700 - 800	9.98	S724	P724	L724	724
YNS451R	795 - 1000	795 - 1000	10.04	S725	P725	L725	725
YNS49R	1033.5 - 1272	1033.5 - 1272	10.08	—	—	L727	727
YNS52R	1351.5 - 1510	1351.5 - 1510	15.48	—	—	L728	728
YNS54R	1590 - 1600	1590 - 1600	15.48	—	—	L728	728
YNS56R	1700 - 1800	1700 - 1800	14.80	—	—	L729	729
YNS58R	2000	2000	14.74	—	—	L735	735
YNS59R	2250 - 2300	2250 - 2300	14.56	—	—	L735	735
YNS594R	2500	2500	14.04	—	—	L740	740

* Overlap crimps

‡ Wide dies may be used, add suffix "W" to part number (example: L725W).

TYPE YNS-RT EHV

Jumper Loop Sleeve for ACAR and Stranded Aluminum Conductor



Jumper sleeve for ACAR and Stranded Aluminum Cable over 230 kV. Sleeve prefilled with PENETROX™ joint compound and capped.

Catalog Number	Conductor (Kcmil)		Inches L	Tools, Die Sets			
	ACAR	Aluminum		Die Index	Y45*	Y46*	Y60BHU*‡
YNS32RT	395.1 - 395.2	336.4 - 350	8.96	717	S717	P717	L717
YNS34RT	–	397.5 - 477	9.10	719	S719	P719	L719
YNS36RT	–	500 - 556.5	9.64	720	S720	P720	L720
YNS39RT	634.9 - 653.1	600 - 650	10.26	722	S722	P722	L722
YNS43RT	–	700 - 800	10.48	724	S724	P724	L724
YNS451RT	840.2 - 927.2	795 - 1000	10.60	725	S725	P725	L725
YNS49RT	983.1 - 1198	1033.5 - 1272	10.66	727	–	–	L727
YNS52RT	1277 - 1280	1351.5 - 1510	16.20	728	–	–	L728
YNS54RT	1534	1590 - 1600	16.11	728	–	–	L728
YNS56RT	1650 (42-19 STR)	1700 - 1800	15.58	729	–	–	L729
YNS58RT	–	2000	15.46	735	–	–	L735
YNS59RT	–	2250 - 2300	15.14	735	–	–	L735
YNS594RT	2267 - 2500	2500	16.53	740	–	–	L740

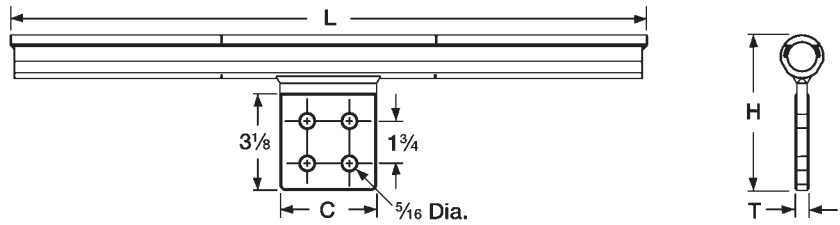
* Overlap crimps

‡ Wide dies may be used, add suffix "W" to part number (example: L725W).

TYPE YNTA-R

T-Tap With Pad for ACAR and Stranded Aluminum Cable

Two-piece compression T-Tap with pad for ACAR and Stranded aluminum transmission lines.



Catalog Number	Conductor (kcmil)		Inches				Tools, Die Sets			
	ACAR	Aluminum	L	C	H	T	Die Index	Y45*	Y46*	Y60BHU*‡
YNTA32R	350 (19) - 400 (19)	336.4 - 350	15.46	2.00	4.94	0.50	717	S717	P717	L717
YNTA34R	—	397.5 - 477	15.60	2.00	5.05	0.50	719	S719	P719	L719
YNTA36R	—	500 - 556.5	16.29	2.25	5.16	0.56	720	S720	P720	L720
YNTA39R	600 (37) - 650 (37)	600 - 650	16.69	2.25	5.25	0.56	722	S722	P722	L722
YNTA43R	—	700 - 800	17.48	3.25	5.36	0.56	724	S724	P724	L724
YNTA451R	800 (37) - 950 (37)	795.5 - 1000	17.60	3.25	5.55	0.56	725	S725	P725	L725
YNTA49R	950 (37) - 1100 (61)	1033.5 - 1272.2	17.66	3.25	5.72	0.56	727	—	—	L727
YNTA54R	—	1351.5 - 1600	21.61	3.25	6.00	0.69	728	—	—	L728
YNTA56R	1650	1700 - 1800	23.65	3.59	6.25	0.69	729	—	—	L729
YNTA58R	—	2000	23.53	3.59	6.25	0.69	735	—	—	L729
YNTA59R	—	2300	23.21	3.59	6.25	0.69	735	—	—	L735
YNTA594R	2267 - 2500	2500	24.30	3.59	6.35	0.69	740	—	—	L740

Two hole NEMA pads standard for conductors up to 650 kcmil. Four hole NEMA pads on larger conductor sizes.

* Overlap crimps.

** For Extra High Voltage (EHV) applications order two tap pad shielding caps STS43A4N. Catalog number indicates 1 cap. Two caps required per assembly.

‡ Wide dies may be used add suffix "W" to the part number (example: L725W).

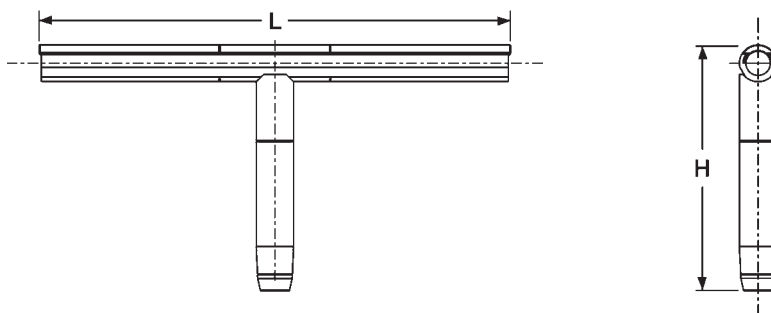
TYPE YNT-R-R

Two-Piece Compression T-Tap for ACAR and Stranded Aluminum Transmission Lines



Installed with same dies as equivalent full tension splice. Tap element pre-filled with PENETROX™ joint compound.

* For EHV applications, add suffix "T" to catalog number (example: YNT49R49RT)



I-42

Catalog Number	Conductor (kcmil)		Inches L	Tools, Die Sets			
	Run and Tap			Die Index	Y45*	Y46*	Y60BHU*‡
	ACAR	Aluminum					
YNT32R32R	—	336.4 - 350	15.46	717	S717	P717	L717
YNT34R34R	—	397.5 - 447	15.60	719	S719	P719	L719
YNT36R36R	—	500 - 556.5	16.29	720	S720	P720	L720
YNT39R39R	—	600 - 650	16.69	722	S722	P722	L722
YNT43R43R	—	700 - 800	17.48	724	S724	P724	L724
YNT451R451R	4 (7) AWG	795 - 1000	17.60	725	S725	P725	L725
YNT49R49R	—	1033.5 - 1272	17.66	727	—	—	L727
YNT52R52R	—	1351.5 - 1510	21.61	728	—	—	L728
YNT54R54R	—	1590 - 1600	21.61	728	—	—	L728
YNT56R56R	1650 (42/19)	1700 - 1800	23.65	729	—	—	L729
YNT58R58R	—	2000	23.53	—	—	—	L735
YNT59R59R	—	2300	23.21	735	—	—	L735
YNT594R594R	2267 - 2500	2500	24.30	740	—	—	L740

* Overlap Crimps.

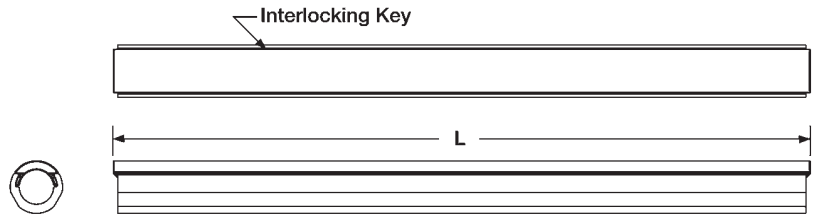
** For Extra High Voltage (EHV) applications add suffix "T" to the catalog number (example: YNT49R49RT).

‡ Wide dies may be used add suffix "W" to the part number (example: L725W).

TYPE YNU-R

Repair Sleeve for ACAR and
Stranded Aluminum Cable

Two piece repair sleeves for restoring conductivity to damaged ACAR or Stranded Aluminum Cable transmission lines. Installed with same dies as equivalent full tension splice. Use of PENETROX™ joint compound required. For High Voltage and Extra High Voltage (EHV) Applications.



Catalog Number	Conductor (kcmil)		Inches L	Tools, Die Sets			
	ACAR	Aluminum		Die Index	Y45*	Y46*	Y60BHU*‡
YNU32R	—	336.4 - 350	14.00 in	717	P717	P717	L717
YNU34R	—	397.5 - 477	14.00 in	719	P719	P719	L719
YNU36R	—	500 - 556.5	14.00 in	720	P720	P720	L720
YNU39R	—	600 - 650	16.00 in	722	P722	P722	L722
YNU43R	—	700 - 800	16.00 in	724	P724	P724	L724
YNU451R	850 (37) - 900 (37)	795.5 - 1000	16.00 in	725	P725	P725	L725
YNU49R	—	1033.5 - 1200	16.00 in	727	—	—	L727
YNU54R	—	1351.5 - 1600	16.00 in	728	—	—	L728
YNU56R	—	1700 - 800	19.00 in	729	—	—	L729
YNU59R	—	2300 - 2500	19.00 in	735	—	—	L735
YNU594R	2267 - 2500	2500	20.00 in	740	—	—	L740
YNU595R	2500	2500	24.60 in	—	—	—	L791

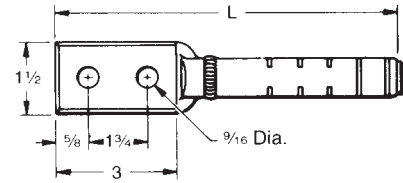
* Overlap Crimps.

‡ Wide dies may be used, add suffix "W" to part number (example: L725W).

TYPE YNA-M-T

Compression Terminal for Alumoweld and EHS Steel

Compression terminal for joining Alumoweld and EHS steel to YTW-M-T or YTW-E deadend. Installed with same dies as equivalent full tension splice and deadend. Barrel is pre-filled with PENETROX™ joint compound and capped.



Catalog Number	Conductor		L (IN)	Die Index	Tools Dies and Sets (Number of Crimps)	
	Alumoweld	EHS Steel			Y35, Y 750, Y45†, Y46‡‡	Y60BHU*
YNA7M10T	7 #10, 3 #7	5/16" 7 str.	8.50	676 or 721	U676 (4)	L721
YNA7M8T	7 #8, 3 #5	3/8" 7 str.	9.81	668 or 723	U668 (7)	L723
YNA7M7T	7 #7, 3 #5	7/16" 7 str.	9.95	678 or 726	U678 (10)	L726
YNA7M6T	7 #6	1/2" 7 str.	9.80	679 or 726	U679 (11)	L789

* Overlap crimps.

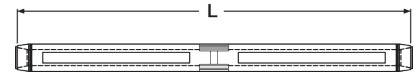
† U Die with adapter PT-6515.

‡‡ U Die with adapter PUADP-1.

TYPE YDS-M-T

Full Tension Sleeve for Alumoweld

Full-tension splice for Alumoweld transmission lines. Five connectors accommodate eight conductor sizes. Sleeve is pre-filled with PENETROX™ joint compound and capped.



RUS Accepted

Catalog Number †††	Conductor	L (in)	Tools Dies and Sets (Number of Crimps)		
	Alumoweld		Die Index	Y35	Y60*
YDS7M10T	7 #10, 3 #7	9.91	676 or	U676 (8)	—
			721	—	L721
YDS7M9T	7 #9, 3 #6	10.41	677	U677 (10)	—
YDS7M8T	7 #8, 3 #5	12.21	668 or	U668 (13)	—
			723	—	L723
YDS7M7T	7 #7	14.56	678 or	U678 (19)	—
			726	—	L726
YDS7M6T	7 #6	15.17	679 or	U679 (2)	—
			726	—	L726

* Overlap crimps.

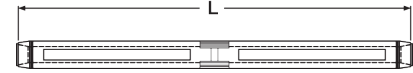
††† Sleeve is high strength aluminum alloy for optimum corrosion resistance.

I-45

TYPE YTS-E

Full Tension Splice for EHS Steel

Full tension splice for EHS steel guy, messenger or "static" cable. Sleeve is prefilled with PENETROX™ joint compound and capped.



Catalog Number †	Accommodates EHS Steel	L (in)	Tools, Die Sets	
			Die Index	Y60BHU*
YTS312E	5/16" 7 Str	11.30	721	L721
YTS375E	3/8" 7 Str.	10.38	723	L723
YTS438E	7/16" 7 Str.	11.78	726	L726
YTS500E	1/2" 7 Str	16.63	789	L789

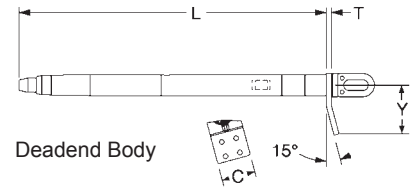
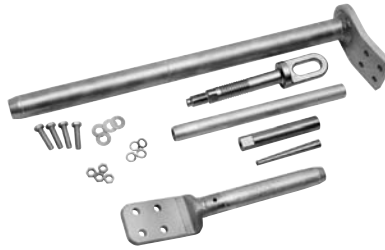
* Overlap crimps.

† Sleeve is high strength aluminum alloy for optimum corrosion resistance.

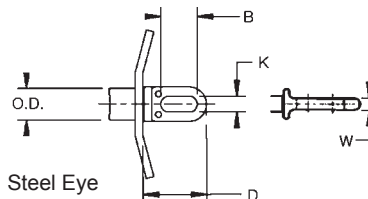
Full Tension Deadend Kit

**Compression Deadend for
ACCC® Conductor**

Full tension Deadends for ACCC® transmission lines up to and including 230 kV. Standard 15° NEMA tap pad provides either 0° or 30° tap when BYNA-RT15HACCC terminal is used.



Conductor Name	Size kcmil	Steel Eye Dim			
		D	B	K	W
Linnet through Brussels	431 through 839	4.5 [114]	2.5 [64]	1.12 [28]	0.62 [16]
Oslo through Paris	627 through 1620	5.10 [130]	2.91 [74]	1.26 [32]	0.75 [19]



Conductor Name	Size kcmil	Deadend Body Dim.			
		L	T	C	Y
Linnet through Brussels	431 through 839	31.25 [794]	0.62 [16]	4.00 [102]	5.60 [142]
Oslo through Paris	627 through 1620	36.19 [919]	0.62 [16]	4.00 [102]	5.60 [142]

ACCC® Conductor Name	Size kcmil	Pad Type	BURNDY Deadend Kit Assembly Catalog #	Catalog CTC Global Catalog #	BURNDY Terminal & High Strength Alum. Hardware Catalog #	Installation Tooling	
						Y60BHU	
						Die* Deadend	Die* Terminal
Linnet	431	Single	YTW32RE15ACCCK4	5600-1020	BYNA32RT15HACCC	L727W	L717W
		Double	YTW32RED15ACCCK4	5600-1020D			
Copenhagen	440	Single	YTW32RE15ACCCK4	5600-1022	BYNA245MM2T15HACCC		L719W
		Double	YTW32RED15ACCCK4	5600-1022D			
Glasgow	473	Single	YTW245MRE15ACK6	5600-1044	BYNA36RT15HACCC		L720W
		Double	YTW245MRED15ACK6	5600-1044D			
Casablanca	546	Single	YTW36RE15ACCCK4	5600-1028	BYNA39RT15HACCC		L722W
		Double	YTW36RED15ACCCK4	5600-1028D			
Hawk	611	Single	YTW36RE15ACCCK4	5600-1030	BYNA43RT15HACCC		L724W
		Double	YTW36RED15ACCCK4	5600-1030D			
Lisbon	629	Single	YTW36RE15ACCCK4	5600-1032	BYNA39RT15HACCC	L722W	
		Double	YTW36RED15ACCCK4	5600-1032D			
Dove	713	Single	YTW39RE15ACCCK4	5600-1040	BYNA451RT15HACCC	L725W	
		Double	YTW39RED15ACCCK4	5600-1040D			
Amsterdam	733	Single	YTW39RE15ACCCK4	5600-1042	BYNA451RT15HACCC	L725W	
		Double	YTW39RED15ACCCK4	5600-1042D			
Grosbeak	816	Single	YTW43RE15ACCCK4	5600-1050	BYNA451RT15HACCC	L725W	
		Double	YTW43RED15ACCCK4	5600-1050D			
Brussels	839	Single	YTW43RE15ACCCK4	5600-1052	BYNA451RT15HACCC	L725W	
		Double	YTW43RED15ACCCK4	5600-1052D			
Oslo	627	Single	YTW330MRE15ACK5	5600-1026	BYNA39RT15HACCC	L722W	
		Double	YTW330MRED15ACK5	5600-1026D			
Stockholm	913	Single	YTW470MRE15ACK5	5600-1054	BYNA451RT15HACCC	L725W	
		Double	YTW470MRED15ACK5	5600-1054D			
Warsaw	1016	Single	YTW470MRE15ACK5	5600-1056	BYNA451RT15HACCC	L725W	
		Double	YTW470MRED15ACK5	5600-1056D			
Drake	1020	Single	YTW451RE15ACCCK4	5600-1060	BYNA451RT15HACCC	L725W	
		Double	YTW451RED15ACCCK4	5600-1060D			
Dublin	1043	Single	YTW451RE15ACCCK4	5600-1062	BYNA451RT15HACCC	L725W	
		Double	YTW451RED15ACCCK4	5600-1062D			

Notes:

ACCC is a Registered Trade Mark of CTC Cable Corp.

1. Deadend Assembly consists of Aluminum Body, Steel Eye and Terminal with mounting hardware.

2. Designed for corona free operation up to 230 kV, contact factory for 345 kV and 500 kV operation.

3. For stainless steel hardware, contact factory.

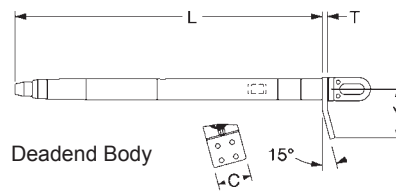
4. Dimensions in brackets [] denotes metric units and are rounded to nearest whole numbers.

* Overlap crimps.

Other styles may be available. Please contact factory for items not shown.

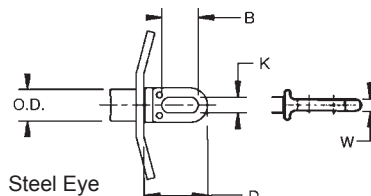
Full Tension Deadend Kit (Continued)

Compression Deadend for ACCC® Conductor



Deadend Body

Conductor Name	Size kcmil	Steel Eye Dim			
		D	B	K	W
Linnet through Brussels	431 through 839	4.5 [114]	2.5 [64]	1.12 [28]	0.62 [16]
Oslo through Paris	627 through 1620	5.10 [130]	2.91 [74]	1.26 [32]	0.75 [19]



Steel Eye

Conductor Name	Size kcmil	Deadend Body Dim.			
		L	T	C	Y
Linnet through Brussels	431 through 839	31.25 [794]	0.62 [16]	4.00 [102]	5.60 [142]
Oslo through Paris	627 through 1620	36.19 [919]	0.62 [16]	4.00 [102]	5.60 [142]

I-48

Conductor Name	Size kcmil	Pad Type	BURNDY Deadend Kit Assembly Catalog #	Catalog CTC Global Catalog #	BURNDY Terminal & High Strength Alum. Hardware Catalog #	Installation Tooling										
						Y60BHU										
						Die* Deadend	Die* Terminal									
Hamburg	1092	Single	YTW570MRE15ACK5	5600-1058	BYNA590MRT15HACCC	L727W										
		Double	YTW570MRED15ACK5	5600-1058D												
Milan	1134	Single	YTW570MRE15ACK5	5600-1064				BYNA49RT15HACCC	L727W							
		Double	YTW570MRED15ACK5	5600-1064D												
Rome	1183	Single	YTW610MRE15ACK5	5600-1066							BYNA760MRT15HACCC	L728W				
		Double	YTW610MRED15ACK5	5600-1066D												
Cardinal	1222	Single	YTW48RE15ACCCCK4	5600-1070										BYNA52RT15HACCC	L728W	
		Double	YTW48RED15ACCCCK4	5600-1070D												
Vienna	1255	Single	YTW48RE15ACCCCK4	5600-1072	BYNA52RT15HACCC	L728W										
		Double	YTW48RED15ACCCCK4	5600-1072D												
Budapest	1332	Single	YTW690MRE15ACK5	5600-1074				BYNA52RT15HACCC	L728W							
		Double	YTW690MRED15ACK5	5600-1074D												
Prague	1377	Single	YTW710MRE15ACK5	5600-1076							BYNA52RT15HACCC	L728W				
		Double	YTW710MRED15ACK5	5600-1076D												
Munich	1461	Single	YTW760MRE15ACK5	5600-1078										BYNA52RT15HACCC	L728W	
		Double	YTW760MRED15ACK5	5600-1078D												
London	1512	Single	YTW780MRE15ACK5	5600-1079	BYNA52RT15HACCC	L728W										
		Double	YTW780MRED15ACK5	5600-1079D												
Bittern	1572	Single	YTW52RE15ACCCCK4	5600-1080				BYNA52RT15HACCC	L728W							
		Double	YTW52RED15ACCCCK4	5600-1080D												
Paris	1620	Single	YTW52RE15ACCCCK4	5600-1082							BYNA52RT15HACCC	L728W				
		Double	YTW52RED15ACCCCK4	5600-1082D												

Notes:

ACCC is a Registered Trade Mark of CTC Cable Corp.
1. Deadend Assembly consists of Aluminum Body, Steel Eye and Terminal with mounting hardware.

2. Designed for corona free operation up to 230 kV, contact factory for 345 kV and 500 kV operation.
3. For stainless steel hardware, contact factory.

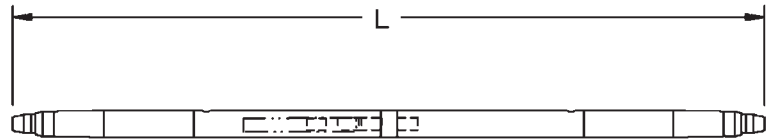
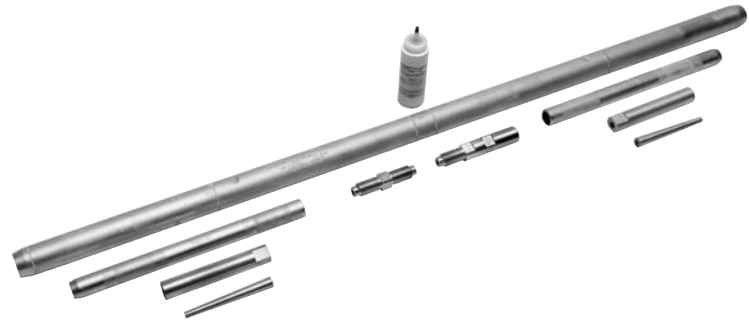
4. Dimensions in brackets [] denotes metric units and are rounded to nearest whole numbers.
* Overlap crimps.

Other styles may be available. Please contact factory for items not shown.

Full Tension Splice Kit

**Compression Splice
for ACCC® Conductor**

Full tension two piece splice for ACCC®
transmission lines up to and including 230 kV.



Conductor Name	Size kcmil	Catalog Number	CTC Global Catalog Number	Dimensions (Inches) L	Installation Tool	
					Die*	Tool
Linnet	431	YTS32RTACCC2	5600-2020	60.80 [1544]	L727W	
Copenhagen	440	YTS32RTACCC2	5600-2022			
Glasgow	473	YTS245MRTAC5	5600-2044			
Casablanca	546	YTS36RTACCC2	5600-2028			
Hawk	611	YTS36RTACCC2	5600-2030			
Lisbon	629	YTS36RTACCC2	5600-2032			
Dove	713	YTS39RTACCC2	5600-2040			
Amsterdam	733	YTW39RTACCC2	5600-2042			
Grosbeak	816	YTS43RTACCC2	5600-2050			
Brussels	839	YTS43RTACCC2	5600-2052			
Oslo	627	YTS330MRTAC5	5600-2026	67.00 [1702]	L735W	Y60BHU
Stockholm	913	YTS470MRTAC5	5600-2054			
Warsaw	1016	YTS470MRTAC5	5600-2056			
Drake	1020	YTS451RTACCC2	5600-2060			
Dublin	1043	YTS451RTACCC2	5600-2062			
Hamburg	1092	YTS570MRTAC5	5600-2058			
Milan	1134	YTS570MRTAC5	5600-2064			
Rome	1183	YTS610MRTAC5	5600-2066			
Cardinal	1222	YTS48RTACCC2	5600-2070			
Vienna	1255	YTS48RTACCC2	5600-2072			
Budapest	1332	YTS690MRTAC5	5600-2074			
Prague	1377	YTS710MRTAC5	5600-2076			
Munich	1461	YTS760MRTAC5	5600-2078			
London	1512	YTS780MRTAC5	5600-2079			
Bittern	1572	YTS52RTACCC5	5600-2080			
Paris	1620	YTS52RTACCC2	5600-2082			

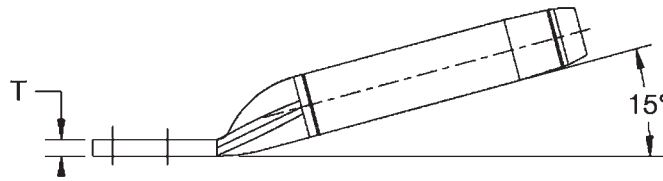
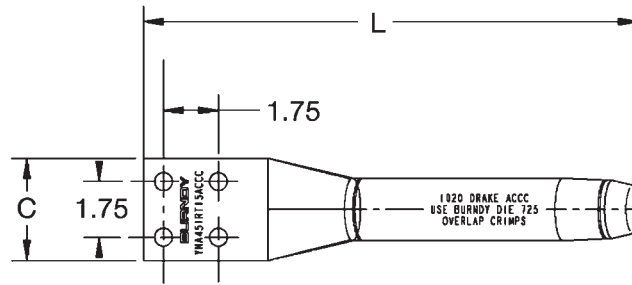
1. Designed for corona free operation up to 230 kV, contact factory for 345 kV and 500 kV operation.
 2. Dimensions in brackets [] denotes metric units and are rounded to nearest whole number.
 * Overlap crimps.
 ACCC is a Registered Trade Mark of CTC Cable Corp.

Other styles may be available. Please contact factory for items not shown.

TYPES BYNA-RTACCC, BYNA-RT15ACCC

Compression Terminals Straight and 15 Degree for ACCC® Conductor

Compression terminal for ACCC® transmission lines up to and including 230 kV.



I-50

Conductor Name	Size kcmil	Straight Catalog Number	15 Degree Catalog Number	Dimensions (Inches)				Installation Tooling											
				Straight L	15 Degree L	C	T	Die Index	Y45*	Y46*	Y60BHU*								
Linnet	431	BYNA32RTACCC	BYNA32RT15ACCC	15.50	15.50	3.25	0.50	717	S717	P717	L717W								
Copenhagen	440			[393]	[393]							[402]	[402]	719	S719	P719	L719W		
Glasgow	473	BYNA245MRTACCC	BYNA245MRT15ACCC	15.80	15.80			3.25	0.50	720	S720	P720	L720W						
Casablanca	546	BYNA36RTACCC	BYNA36RT15ACCC	15.80	15.80									[402]	[402]	722	S722	P722	L722W
Hawk	611			BYNA39RTACCC	BYNA39RT15ACCC					16.20	16.20	3.22	0.45	724	S724	P724	L724W		
Lisbon	629	16.20	16.20							[411]	[411]							725	S725
Oslo	627	BYNA43RTACCC	BYNA43RT15ACCC	16.20	16.20					3.22	0.52			727	—	—	L727W		
Dove	713			16.20	16.20													[411]	[411]
Amsterdam	733	BYNA451RTACCC	BYNA451RT15ACCC	15.30	15.00									3.22	0.52	727	—	—	L727W
Warsaw	1016			15.30	15.00														
Drake	1020	BYNA590MRTACCC	BYNA590MRT15ACCC	15.60	15.70	3.22	0.52									728	—	—	L728W
Dublin	1043			15.60	15.70														
Hamburg	1092	BYNA49RTACCC	BYNA49RT15ACCC	15.60	15.70			3.22	0.71							728	—	—	L728W
Milan	1134			15.60	15.70														
Rome	1183	BYNA760MRTACCC	BYNA760MRT15ACCC	17.10	17.30							3.22	0.71			728	—	—	L728W
Cardinal	1222			17.10	17.30														
Vienna	1255	BYNA52RTACCC	BYNA52RT15ACCC	17.10	17.30					3.22	0.71					728	—	—	L728W
Budapest	1332			17.10	17.30														
Prague	1377	BYNA52RTACCC	BYNA52RT15ACCC	17.10	17.30									3.22	0.71	728	—	—	L728W
Munich	1461			17.10	17.30														
London	1512	BYNA52RTACCC	BYNA52RT15ACCC	17.10	17.30	3.22	0.71									728	—	—	L728W
Bittern	1572			17.10	17.30														
Paris	1620	BYNA52RTACCC	BYNA52RT15ACCC	17.10	17.30			3.22	0.71							728	—	—	L728W
				17.10	17.30														

Notes:

ACCC is a Registered Trade Mark of CTC Cable Corp.
1. To specify mounting hardware to correspond to deadend or pad add H to the part number (example: BYNA451RTHACCC).

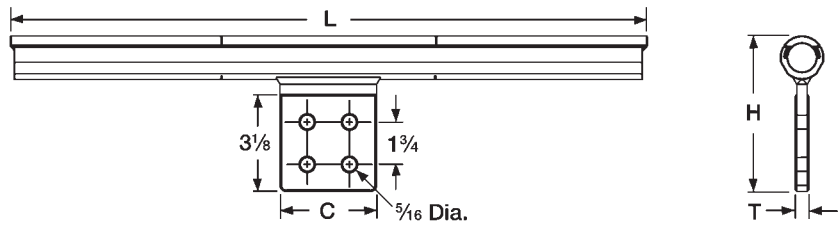
2. To specify stainless steel hardware add suffix SS to the catalog number (example: BYNA451RTACCCSS).
3. Designed for corona free operation up to 230 kV, contact factory for 345 kV and 500 kV operation.

4. Dimensions in brackets [] denotes metric units and are rounded to nearest whole numbers.
* Overlap crimps.

TYPE YNTA-RTACCC

Compression T-Tap
for ACCC® Conductor

Two piece compression T-Tap to a NEMA pad for ACCC® transmission lines up to and including 230 kV.



Conductor Name	Size kcmil	Catalog Number	Dimensions (Inches)				Installation Tooling				
			L	C	H	T	Die Index	Y45*	Y46*	Y60BHU*	
Linnet	431	YNTA32RTACCC	24.92	4.00	5.82	0.56	717	S717	P717	L717W	
Copenhagen	440		[633]		[148]						
Glasgow	473	YNTA245MRTACCC	25.50		5.93		719	S719	P719	L719W	
Casablanca	546	YNTA36RTACCC	25.50		6.03		720	S720	P720	L720W	
Hawk	611				[648]						[153]
Lisbon	629										
Oslo	627	YNTA39RTACCC	26.06		6.13		722	S722	P722	L722W	
Dove	713				[662]						[156]
Amsterdam	733										
Grosbeak	816	YNTA43RTACCC	26.28		6.24		724	S724	P724	L724W	
Brussels	839				[667]						[158]
Stockholm	913	YNTA451RTACCC	26.38		6.43		725	S725	P725	L725W	
Warsaw	1016				[670]						[163]
Drake	1020										
Dublin	1043										
Hamburg	1092	YNTA49RTACCC	26.36		6.60		727	—	—	L727W	
Milan	1134			[669]	[168]						
Rome	1183										
Cardinal	1222										
Vienna	1255										
Budapest	1332										
Prague	1377	YNTA52RTACCC	29.32	7.00	728	—	—	L728W			
Munich	1461			[745]					[178]		
London	1512								[17]		
Bittern	1572										
Paris	1620										

I-51

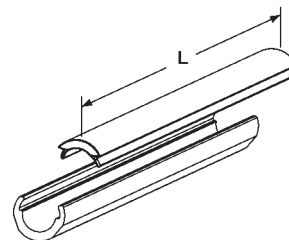
ACCC is a Registered Trade Mark of CTC Cable Corp.

1. Designed for corona free operation up to 230 kV, contact factory for 345 kV and 500 kV operation.
 2. Dimensions in brackets [] denotes metric units and are rounded to nearest whole number.
- * Overlap crimps.

TYPE YNU-RACCC

Compression Repair Sleeve for ACCC® Conductor

Two piece compression repair sleeve for temporary restoration of conductivity to damaged ACCC® transmission lines.



Conductor Name	Size kcmil	Catalog Number	Dimensions (Inches) L	Installation Tooling				
				Die Index	Y45*	Y46*	Y60BHU*	
Linnet	431	YNU32RACCC	22.00 [559]	717	S717	P717	L717W	
Copenhagen	440							
Glasgow	473	YNU245MRACCC		719	S719	P719	L719W	
Casablanca	546	YNU36RACCC		24.00 [610]	720	S720	P720	L720W
Hawk	611							
Lisbon	629							
Oslo	627							
Dove	713	YNU39RACCC	722	S722	P722	L722W		
Amsterdam	733	YNU43RACCC	24.00 [610]	724	S724	P724	L724W	
Grosbeak	816							
Brussels	839	YNU451RACCC	24.00 [610]	725	S725	P725	L725W	
Stockholm	913							
Warsaw	1016							
Drake	1020							
Dublin	1043	YNU49RACCC	24.00 [610]	727	—	—	L727W	
Hamburg	1092							
Milan	1134							
Rome	1183							
Cardinal	1222							
Vienna	1255							
Budapest	1332	YNU52RACCC	24.00 [610]	728	—	—	L728W	
Prague	1377							
Munich	1461							
London	1512							
Bittern	1572							
Paris	1620							

ACCC is a Registered Trade Mark of CTC Cable Corp.
Dimensions in brackets [] denotes metric units and are rounded to nearest whole number.

* Overlap crimps.

IMPLO®

Connections for all common conductor types including high temperature applications

IMPLO® connectors consist of a small, engineered energy charge that is pre-wrapped around a specially designed metallic sleeve. When installed, the charge creates a high compressive force, creating a permanent, high-quality connection that cannot be matched for field installations.

IMPLO® connectors produce a smoother, stronger and more electrically efficient connector than any other means. In addition to better connections, there is no smaller investment in transmission projects that can yield higher returns to project time, environmental impact, and full inspectability than IMPLO technology. Transmission projects that specify IMPLO result in higher reliability, longer service life, lower power loss, and on-time line energizing.

Installation productivity can be greatly increased over traditional methods as there is no hydraulic equipment involved, eliminating tooling down-time, lengthy preparation and compression times, and individually compressing one connector in succession. IMPLO technology makes a superior connection, and is faster and easier to install, yielding significant savings in construction time and cost.

Multiple IMPLO connectors can be installed simultaneously. This aspect is particularly useful in the deadending to structures and the splicing of multi-bundle phase conductors. The IMPLO process changes the job-site work flow and greatly improves overall productivity. Estimates place time savings on stringing operations as high as 60% when using IMPLO technology versus traditional compression processes. Faster time to completion of stringing operations helps overcome weather delays, equipment problems, man-power shortages, ROW contention and other factors that can delay project completion.

IMPLO splice connectors are designed to pull through stringing blocks without damaging the conductor or splice degradation. When following the IMPLO Stringing Charts, the splice connectors can be installed at the tensioner and safely pulled into final position. This allows the splices to be installed at pre-disturbed areas, and eliminates the creation and restoration of access roads to final splice locations. The elimination of these additional access roads (or expensive aerial work) saves project time, cost, and environmental damage.

The ability to install splices at ground level also allows for inspection prior to stringing. Unlike other technologies, IMPLO connections are fully inspectable. BURNDY can provide a detailed quality inspection process for your specific project needs, upon request, allowing all connections to be fully inspected to measurable criteria. A complete, documented inspection program eliminates the need for costly and time consuming field X-rays.

IMPLO technology offers many installation benefits to line construction. There is no heavy, awkward tooling, hydraulic fluids, and supplementary power supplies needed to be on the job site. The connectors can be installed in any terrain and most weather conditions typical to project locations. Installation can be done at ground level, at cross-arm level, or even aerially via helicopter work. IMPLO connectors are ideal for live-line situations, reducing time and equipment hazards while in proximity to energized conductors.

The IMPLO connection itself creates a virtually void-free connection, eliminating the need for oxide inhibitors. The smooth exterior surface created in the process requires no sanding or filing to operate corona-free. And, due to the rapid 360-degree compressive force during installation, there is no chance for sleeves to bow (“banana”) during installation. A straight connection, every time.

The compressive force generated during installation is all radial, and inwards. Therefore, sleeves do not elongate and conductor is not extruded. This process captures all of the conductor’s material within the final connection, eliminating bird-caging of conductor strands at the mouth of the connection. This allows IMPLO connections to be utilized in close proximity to one another and to other line hardware.

IMPLO has more than 40 years of proven application around the world. BURNDY has experienced and dedicated field resources to provide training, project coordination, and support in meeting necessary regulations when working with IMPLO technology. Our logistics team is knowledgeable of the needs of the transmission market, and will ensure your project needs are met. BURNDY also has the technical resources dedicated to the advancement of IMPLO technology, the support of industry standards, and the testing for industry standard qualification.

IMPLO connections can accommodate a wide range of conductor sizes and types, including: ACSR, ACSS, ACSS/TW, ASC, ASC/TW, AAC, AAAC, Aluminum Clad, and steel static wire. Various configurations, tap pads, and eyebolt versions are available. IMPLO Repair connections used for line maintenance can save considerable time and effort, and are available upon request. Non-standard configurations are possible, subject to design requirements and availability.

IMPLO® Applications

- Deadending, splicing, and terminating high voltage transmission lines
- Working on or in close proximity to live lines
- New construction
- Maintenance of existing lines
- Substations
- Reconductoring/upgrading existing lines
- Joining steel static wire and guy wire

IMPLO®

Connection Type Descriptions

Full Tension Joint (FTJ) Splice

The IMPLO FTJ/splice consists of an aluminum alloy sleeve with an energy wrap preassembled. The FTJ is designed to be installed at the tensioner and pulled through stringing blocks. IMPLO Stringing Charts for each conductor show the relationship between the pulling tension, weight span and the allowable line angle through which the joints may be pulled. This makes splicing an integral part of the overall pulling operation and greatly simplifies the stringing operation. Repair splices for removal and replacement of pre-existing, failing splices while maintaining line sag, are available upon request.



Deadends*

IMPLO deadends consist of an aluminum alloy sleeve with an energy wrap preassembled. Eyebolts are provided in round or oval-eye configurations, specified at time of order. The eyebolt freely rotates 360 degrees prior to installation, allowing for precise matching to line hardware. A single 15 degree, NEMA four-hole pad is standard. Other pad options are available upon request. Repair deadends for removal of pre-existing, failing deadends while maintaining line sag, are available upon request.



I-54

Jumper Terminal**

Jumper Terminals consist of an aluminum sleeve with an energy wrap preassembled, and a 15 degree, four-hole NEMA pad at one end. Jumper terminals may be installed at 0 or 30 degree take-off angles when matched to the deadend with a 15 degree NEMA pad.



Repair Sleeve

Repair Sleeves consist of two aluminum alloy half sleeves that slide together. An energy wrap is provided on a flexible sheet that is wrapped around the repair sleeve to install. Repair sleeves are used to repair minor damage to the outer strands of a conductor, such as caused by spacer wear, line impacts, or construction mishaps.



T-Tap

T-Taps consist of two half sleeves that slide together. One of the half sleeves is provided with a NEMA four-hole pad for making a line tap. Two energy wraps on flexible sheets are provided to make the final installation.

IMPLO®

Connections for ACSR

Conductor			Full Tension Joint (Splice)	Deadend*	Jumper Terminal**	Repair Sleeve
Conductor Code	Stranding	kcmil				
Linnet	26/7	336.4	1050	2050	3050	9050
Oriole	30/7	336.4				
Chickadee	18/1	397.5				
Brant	24/7	397.5				
Ibis	26/7	397.5	1050/I	2050/I	3050	9050
Lark	30/7	397.5	1051	2051	3051	9051
Hawk	26/7	477				
Dove	26/7	556.5	1052	2052	3051	9052
Hydro One	26/7	585				
Rook	24/7	636	1053	2053	3053	9053
Flamingo	24/7	666.6				
Stilt	24/7	715.5				
Crow	54/7	715.5				
Grossbeak	26/7	636	1054	2054	3054	9054
Gannet	26/7	666.6				
Type 16 Crowsnest	-	636				
Starling	26/7	715.5	1056	2056	3056	9056
Cuckoo	24/7	795				
Condor	54/7	795				
Crane	54/7	874.5				
Drake	26/7	795	1057	2057	3057	9057
Cardinal TW	-	954				
Mallard	30/19	795	1058	2058	3058	9058
Ruddy	45/7	900	1059	2059	3059	9059
Rail	45/7	954				
Canary	54/7	900	1060	2060	3060	9060
Cardinal	54/7	954				
Curlew	54/7	1033.5	1061	2061	3061	9061
Ortolan	45/7	1033.5	1062	2062	3062	9062
Bluejay	54/7	1113				
Finch	54/19	1113	1063	2063	3063	9063
Grackle	54/19	1192.5	1064	2064	3064	9064
Bunting	45/7	1192.5	1065	2065	3065	9065
Bittern	45/7	1272				
Potomac TW	36/7	1272				
Pheasant	54/19	1272	1066	2066	3066	9066
Martin	54/19	1351.5				
Dipper	45/7	1351.5	1067	2067	3067	9067
Bobolink	45/7	1431				
Plover	54/19	1431	1070	2070	3070	9070
Parrot	54/19	1510.5				
Nuthatch	45/7	1510.5	1072	2072	3072	9072
Lapwing	45/7	1590				

I-55

* The default numbering includes NEMA pad at 15° and oval eye configuration, as shown in picture (example: 2050/C); For ordering a round-eye configuration, remove the /C or /F suffix.

**Standard includes tap pad at 15°, 4-hole NEMA. Contact factory for specials.

IMPLO®

Connections for ACSR (Continued)

Conductor			Full Tension Joint (Splice)	Deadend*	Jumper Terminal**	Repair Sleeve
Conductor Code	Stranding	kcmil				
Falcon	54/19	1590	1073	2073	3073	9073
Chuckar	84/19	1780	1074	2074	3074	9074
Bluebird	84/19	2156	1075	2075	3075	9075
Kiwi	72/7	2167	1076	2076	3076	9076
Nelson	72/7	1843.3	1077	2077	3077	9077
Mockingbird	72/7	2034.5				
Hydro One	72/7	1843.2				
Seahawk	68/7	1869	1079	2079	3079	9079
Piece River	48/7	623.8	1080	2080	3080	9080
Toutle TW	17/7	795				
Thrasher	76/19	2312	1083	2083	3083	9083
Skylark	36/1	1272	1084	2084	3084	9084
Mica-Mica	24/7-26/7E	666.9-648.2	1090	2090	3090	9090
Hornbill	48/7	1590	1094	2094	3094	9094
Tern	45/7	795	1095	2095	3095	9095
Coot	36/1	795	1103	2103	3103	9103
Pelican	18/1	477	1112	2112	3112	9112
Osprey	18/1	556.5				
Flicker	24/1	477	1113	2113	3113	9113
Hen	30/7	477	1114	2114	3114	9114
Heron	30/7	500				
Peacock	24/7	605	1117	2117	3117	9117
Duck	54/7	605				
Goose	54/7	636				
Hydro One	54/7	605				
Parakeet TW	18/7	556.5				
Eagle	30/7	556.5	1118	2118	3118	9118
Squab	26/7	605	1120	2120	3120	9120
Wood Duck	30/7	605	1121	2121	3121	9121
Teal	30/19	605				
Scuter	30/7	636				
Egret	30/19	636				
King Bird	18/1	636	1123	2123	3123	9123
Swift	36/1	636				
Hydro One	18/1-18/7	583.2	1124	2124	3124	9124
Rogue TW	17/7	954				
Red Wing	30/19	715.5	1131	2131	3131	9131
Grand Rapids	22/7	685.4	1133	2133	3133	9133
Macaw	42/7	795				
Catbird	36/1	954	1138	2138	3138	9138
Phoenix	42/7	954	1139	2139	3139	9139
Towhee	-	954	1140	2140	3140	9140
Snowbird	42/7	1033.5	1141	2141	3141	9141

I-56

* The default numbering includes NEMA pad at 15° and oval eye configuration, as shown in picture (example: 2050/C); For ordering a round-eye configuration, remove the /C or /F suffix.

**Standard includes tap pad at 15°, 4-hole NEMA. Contact factory for specials.

IMPLO®

**Connections for ACSR
(Continued)**

Conductor			Full Tension Joint (Splice)	Deadend*	Jumper Terminal**	Repair Sleeve
Conductor Code	Stranding	kcmil				
4/0	6/1	211.6	1142	2142	3142	9142
Penguin	6/1	211.6				
Ostrich	26/7	300	1143	2143	3143	9143
Merlin	18/1	336.4				
Partridge	26/7	266.8	1144	2144	3144	9144
Owl	6/7	266.8				
Road Runner	76/19	2057	1146	2146	3146	9146
Moa	76/7	1590	1167	2167	3167	9167
Sansum	72/37	1273.5	1190	2190	3190	9190

* The default numbering includes NEMA pad at 15° and oval eye configuration, as shown in picture (example: 2050/C); For ordering a round-eye configuration, remove the /C or /F suffix.

**Standard includes tap pad at 15°, 4-hole NEMA. Contact factory for specials.

IMPLO®

Connections for ACSS Round Strand

Conductor			Full Tension Joint (Splice)	Deadend*	Jumper Terminal**	Repair Sleeve
Conductor Code	Stranding	kcmil				
Linnet	26/7	336.4	1050/ACSS	2050/ACSS	3050/ACSS	9050/ACSS
Oriole	30/7	336.4				
Ibis	26/7	397.5				
Hawk	26/7	477	1051/ACSS	2051/ACSS	3051/ACSS	9051/ACSS
Dove	26/7	556.5	1052/ACSS	2052/ACSS	3052/ACSS	9052/ACSS
Rook	24/7	636	1053/ACSS	2053/ACSS	3053/ACSS	9053/ACSS
Flamingo	24/7	666.6				
Grosbeak	26/7	636	1054/ACSS	2054/ACSS	3054/ACSS	9054/ACSS
Starling	26/7	715.5	1056/ACSS	2056/ACSS	3056/ACSS	9056/ACSS
Cuckoo	24/7	795				
Condor	54/7	795				
Crane	54/7	874.5				
Drake	26/7	795	1057/ACSS	2057/ACSS	3057/ACSS	9057/ACSS
Rail	45/7	954	1059/ACSS	2059/ACSS	3059/ACSS	9059/ACSS
Cardinal	54/7	954	1060/ACSS	2060/ACSS	3060/ACSS	9060/ACSS
Curlew	54/7	1033.5	1061/ACSS	2061/ACSS	3061/ACSS	9061/ACSS
Ortolan	45/7	1033.5	1062/ACSS	2062/ACSS	3062/ACSS	9062/ACSS
Bluejay	45/7	1113				
Finch	54/19	1113	1063/ACSS	2063/ACSS	3063/ACSS	9063/ACSS
Bunting	45/7	1192.5	1065/ACSS	2065/ACSS	3065/ACSS	9065/ACSS
Bittern	45/7	1272				
Pheasant	54/19	1272	1066/ACSS	2066/ACSS	3066/ACSS	9066/ACSS
Martin	54/19	1351.5				
Dipper	45/7	1351.5	1067/ACSS	2067/ACSS	3067/ACSS	9067/ACSS
Parrot	54/19	1510.5	1070/ACSS	2070/ACSS	3070/ACSS	9070/ACSS
Nuthatch	45/7	1510.5	1072/ACSS	2072/ACSS	3072/ACSS	9072/ACSS
Lapwing	45/7	1590				
Falcon	54/19	1590	1073/ACSS	2073/ACSS	3073/ACSS	9073/ACSS
Chuckar	84/19	1780	1074/ACSS	2074/ACSS	3074/ACSS	9074/ACSS
Bluebird	84/19	2156	1075/ACSS	2075/ACSS	3075/ACSS	9075/ACSS
Kiwi	72/7	2167	1076/ACSS	2076/ACSS	3076/ACSS	9076/ACSS

I-58

* The default numbering includes NEMA pad at 15° and oval eye configuration, as shown in picture (example: 2050/C); For ordering a round-eye configuration, remove the /C or /F suffix.

**Standard includes tap pad at 15°, 4-hole NEMA. Contact factory for specials.

IMPLO®

Connections for ACSS/TW

Conductor			Full Tension Joint (Splice)	Deadend*	Jumper Terminal**	Repair Sleeve
Conductor Code	Stranding	kcmil				
Linnet	26/7	336.4	1050/ACSS/TW	2050/ACSS/TW	3050/ACSS/TW	9050/ACSS/TW
Oriole	30/7	336.4				
Ibis	26/7	397.5				
Hawk	26/7	477	1051/ACSS/TW	2051/ACSS/TW	3051/ACSS/TW	9051/ACSS/TW
Dove	26/7	556.5	1052/ACSS/TW	2052/ACSS/TW	3052/ACSS/TW	9052/ACSS/TW
Rook	24/7	636	1053/ACSS/TW	2053/ACSS/TW	3053/ACSS/TW	9053/ACSS/TW
Flamingo	24/7	666.6				
Grosbeak	26/7	636	1054/ACSS/TW	2054/ACSS/TW	3054/ACSS/TW	9054/ACSS/TW
Starling	26/7	715.5	1056/ACSS/TW	2056/ACSS/TW	3056/ACSS/TW	9056/ACSS/TW
Cuckoo	24/7	795				
Condor	54/7	795				
Drake	26/7	795	1057/ACSS/TW	2057/ACSS/TW	3057/ACSS/TW	9057/ACSS/TW
Rail	45/7	954	1059/ACSS/TW	2059/ACSS/TW	3059/ACSS/TW	9059/ACSS/TW
Cardinal	54/7	954	1060/ACSS/TW	2060/ACSS/TW	3060/ACSS/TW	9060/ACSS/TW
Curlew	54/7	1033.5	1061/ACSS/TW	2061/ACSS/TW	3061/ACSS/TW	9061/ACSS/TW
Ortolan	45/7	1033.5	1062/ACSS/TW	2062/ACSS/TW	3062/ACSS/TW	9062/ACSS/TW
Bluejay	45/7	1113				
Finch	54/19	1113	1063/ACSS/TW	2063/ACSS/TW	3063/ACSS/TW	9063/ACSS/TW
Bunting	54/19	1192.5	1065/ACSS/TW	2065/ACSS/TW	3065/ACSS/TW	9065/ACSS/TW
Bittern	45/7	1272				
Pheasant	54/19	1272	1066/ACSS/TW	2066/ACSS/TW	3066/ACSS/TW	9066/ACSS/TW
Martin	54/19	1351.5				
Dipper	45/7	1351.5	1067/ACSS/TW	2067/ACSS/TW	3067/ACSS/TW	9067/ACSS/TW
Parrot	54/19	1510.5	1070/ACSS/TW	2070/ACSS/TW	3070/ACSS/TW	9070/ACSS/TW
Nuthatch	45/7	1510.5	1072/ACSS/TW	2072/ACSS/TW	3072/ACSS/TW	9072/ACSS/TW
Lapwing	45/7	1590				
Falcon	54/19	1590	1073/ACSS/TW	2073/ACSS/TW	3073/ACSS/TW	9073/ACSS/TW
Chuckar	84/19	1780	1074/ACSS/TW	2074/ACSS/TW	3074/ACSS/TW	9074/ACSS/TW
Bluebird	84/19	2156	1075/ACSS/TW	2075/ACSS/TW	3075/ACSS/TW	9075/ACSS/TW
Kiwi	72/7	2167	1076/ACSS/TW	2076/ACSS/TW	3076/ACSS/TW	9076/ACSS/TW

I-59

* The default numbering includes NEMA pad at 15° and oval eye configuration, as shown in picture (example: 2050/C); For ordering a round-eye configuration, remove the /C or /F suffix.

**Standard includes tap pad at 15°, 4-hole NEMA. Contact factory for specials.

IMPLO®

Connections for AAC/AAAC/ASC

Conductor			Full Tension Joint (Splice)	Deadend*	Jumper Terminal**	Repair Sleeve
Conductor Code	Stranding	kcmil				
Laurel	19	266.8	1179	2179	3179	9179
Tulip	19	336.4	1174	2174	3174	9174
Daffodil	19	350				
Canna	19	397.5				
Cosmos	19	477	1149	2149	3149	9149
Syringa	37	477				
Sinnia	19	500	1150	2150	3150	9150
Hyacinth	37	500				
Dahlia	19	556.5				
Mistletoe	37	556.5				
Meadowsweet	37	600	1085	2085	3085	9085
Orchid	37	636				
Violet	37	715.5				
Nastartium	61	715.5				
Arbutus TW	17	795	1157	2157	3157	9157
Baker TW	34	795				
Arbutus	37	795				
Lilac	61	795	1158	2158	3158	9158
Anemone	37	874.5				
Crocus	61	874.5				
Magnolia	37	954				
Golden Rod	61	954				
Greeley	37	927.7				
Bluebell	37	1033.5	1086	2086	3086	9086
Larkspur	61	1033.5				
Marigold	61	1113				
Hawthorne	61	1192.5	1093	2093	3093	9093
Narcissus	61	1272				
Columbine	61	1351.5	1165	2165	3165	9165
Hood TW	34	1589				
Sulphur	61	764mm ²	1165-NZ	2165-NZ	3165-NZ	9165-NZ
Carnation	61	1431	1166	2166	3166	9166
Gladiolus	61	1510.5				
Coreopsis	61	1590				
Jasmine	61	1750	1169	2169	3169	9169
Cowslip	91	2000	1170	2170	3170	9170
Sagebrush	91	2250	1171	2171	3171	9171
Hydro One	91	2303				
Lupine	91	2500				
Bitterroot	91	2750				
Jefferson TW	52	2402	1181	2181	3181	9181
TransAlta	91	3000	1182	2182	3182	9182

I-60

* The default numbering includes NEMA pad at 15° and oval eye configuration, as shown in picture (example: 2050/C); For ordering a round-eye configuration, remove the /C or /F suffix.

**Standard includes tap pad at 15°, 4-hole NEMA. Contact factory for specials.

IMPLO®

Connections for Static (Sky) Wire

Wire Size		Full Tension Joint (Splice)	Deadend*
AW	HDG		
7#10	5/16"	1990	2990
7#9	11/32"	1903	2903
7#8	3/8"	1904	2904
7#7		1991	2991
	7/16"	1906	2906
	1/2"	1997	2997
7#5		1993	2993
19#9		1995	2995
19#8	5/8"	1994	2994
19#7		1923	2923
19#5	3/4"	1998	2998
37#8	7/8"	1978	2978

Rebar 1-1/8"	1930
Rebar 1-1/4" to 1-1/8"	1931

* The default numbering includes NEMA pad at 15° and oval eye configuration, as shown in picture (example: 2050/C); For ordering a round-eye configuration, remove the /C or /F suffix.

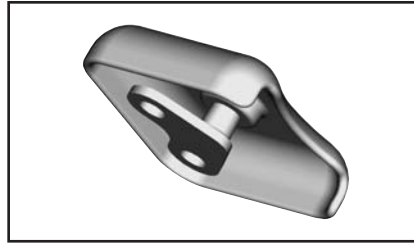
IMPLO® Tool Kit

Catalog Number IMPLOTOOLKIT



No.	Product	Description
1	Rechargeable Electric Air Horn	The world's most advanced portable signaling device for industrial and commercial safety. The Air Horn comes with a rechargeable 14 volt lithium-ion battery (1b), as well as an Inverter (1c) which allows for flexibility in charging the battery in remote areas, by relying on the power supply of a vehicle.
1a	Electric Air Horn Battery	
1b	Battery Charger for Air Horn	
1c	Inverter	
2	Shock Tube Initiator	Through use of a plasma arc tip, the Initiator provides reliable initiation of standard commercial and Mil-Spec shock tubes for 10,000 shots. Comes with a spare standard 9-Volt Alkaline Battery (2a) & shock tube splices and caps (2b)
2a	Shock Tube Initiator Battery	
2b	Shock Tube Splices & Caps	
3	Shock Tube Cutter	Durable lightweight plastic body is spring loaded for easy operation and utilizes a replaceable blade stainless steel blade to cut shock tube.
4	Shock Tube Spool Handle	Works on 1lb. or 5lb. reels, and has multiple holes to adjust to each size wire spool.
5	Wood Rule	6' x 5/8" Rule, two-sided in inches and 1/16ths
6	Marker	Black Sharpie Marker
7	2 x Tape	Black Electrical Tape

**TERMINAL PAD CAP
(Two Piece)**



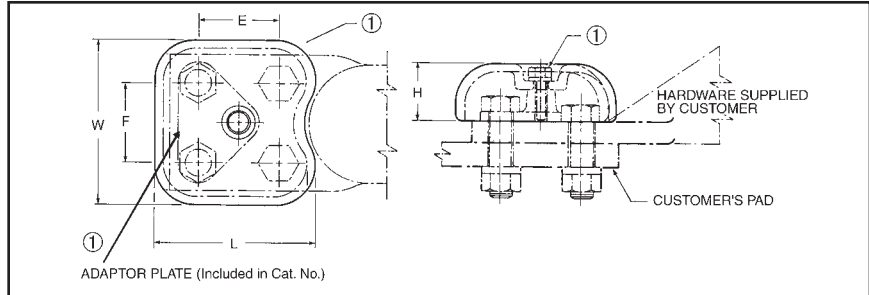
STS-A-N

Bolted type

Application: Pad shielding

**EHV RATED : SELF-SHIELDING
UP TO 550 kV**

Material: Cast 356 Aluminum Alloy
Hardware: 1/4"-20 x 3-3/4" LG
Stainless Steel Hex Hd. Bolt
and Split Lockwasher



① Catalog Number	E	F	H	L	W	Maximum Shielded Area
STS33A-4N	1.75 [44]	1.75 [44]	1.25 [32]	3.48 [88]	3.62 [92]	3 X 3 [76] X [76]
STS43A-4N	1.75 [44]	1.75 [44]	1.31 [33]	3.36 [85]	4.50 [114]	4.00 X 3.12 [102 X 79]
STS44A-4N ②	1.75 [44]	1.75 [44]	1.25 [32]	4.50 [114]	4.62 [117]	4 X 4 [102 X 102]

① Catalog number includes one pad cap, one adapter plate, and stainless steel adaptor hardware.

② Used with YNA451R-T and YNA451R-T15 through YNA594R-T and YNA594R-T15 compression terminals.

I-62

**TERMINAL PAD CAP
(One Piece)**



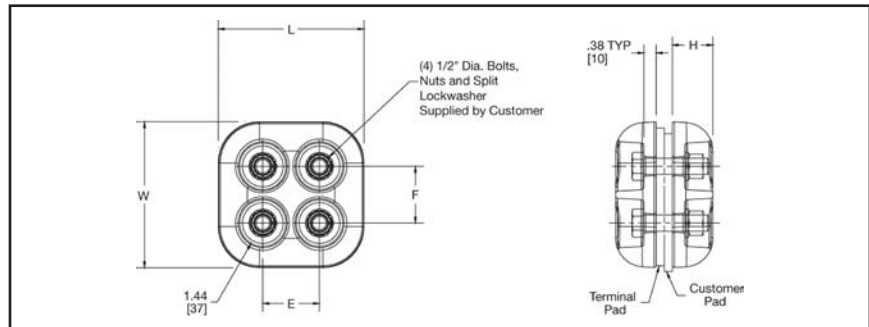
STS-A-NCG

Bolted type

Application: Pad shielding

**EHV RATED : SELF-SHIELDING
UP TO 550 kV**

Material: Cast 356 Aluminum Alloy



Catalog Number	E	F	H	L	W	Maximum Shielded Area
STS44A-4NCG2	1.75 [44]	1.75 [44]	1.25 [32]	4.50 [114]	4.50 [114]	4 x 4
STS46A6NCG1	1.75 [44]	1.75 [44]	1.25 [32]	4.50 [114]	6.50 [165]	6 x 4

NOTES:

1. Dimensions in brackets [] are in millimeters.

2. Catalog number is for one shielding cap only. If more than one is required, specify total quantity.

**BOLTED BUNDLED
CABLE SPACER**

S2GBP-A (Spacer)
S2GBPA-A (Terminal Tap)
SH2GBP-A (Bus Support)

Bolted type

Application: Cable to Cable spacer
(Two Cables), Cable
spacer with four hole
pad, and Cable spacer
to insulator.

**EHV RATED: SELF-SHIELDING
UP TO 550 kV**

Material: Cast 356 Aluminum Alloy
Hardware: Aluminum Alloy



Fig. 1

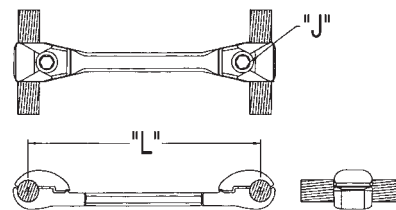


Fig. 1

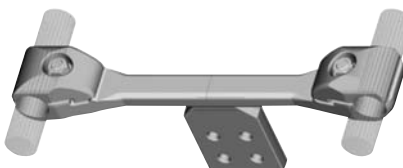


Fig. 2

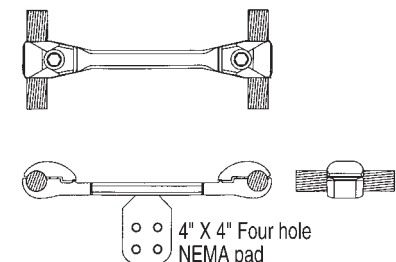


Fig. 2

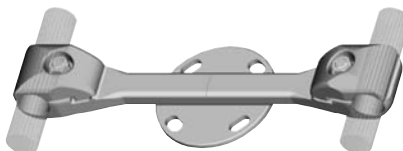


Fig. 3

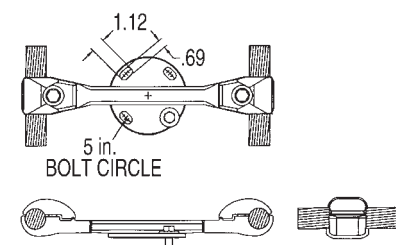


Fig. 3

I-63

Catalog Number			Cable Range		Cable Dia.		"L"	"J" Dia.
Fig. 1	Fig. 2	Fig. 3	AAC	ACSR	Min.	Max.		
S2GBP41A	S2GBPA41A	SH2GBP41A5	795 kcmil 37 Str. (1.026 Dia.)	715 kcmil 24/7 Str. (1.036 Dia.)	1.026 [26]	1.092 [28]	18.00 [457]	5/8"-11 X 1-3/4" LG. Alum. Alloy
S2GBP41A12	S2GBPA41A12	SH2GBP41A512	874.5 kcmil 61 Str. (1.077 Dia.)	715.5 kcmil 26/7 Str. (1.051 Dia.)			12.00 [305]	
S2GBP44A	S2GBPA44A	SH2GBP44A5	954 kcmil 61 Str. (1.126 Dia.)	795 kcmil 24/7 Str. (1.092 Dia.)	1.092 [28]	1.165 [30]	18.00 [457]	5/8"-11 X 2" LG. Alum. Alloy
S2GBP44A12	S2GBPA44A12	SH2GBP44A512		795 kcmil 54/7 Str. (1.093 Dia.)			12.00 [305]	
S2GBP445A	S2GBPA445A	SH2GBP445A5	1033.5 kcmil 37 Str. (1.170 Dia.)	954 kcmil 45/7 Str. (1.165 Dia.)	1.165 [30]	1.246 [32]	18.00 [457]	5/8"-11 X 2" LG. Alum. Alloy
S2GBP445A12	S2GBPA445A12	SH2GBP445A512	1113 kcmil 61 Str. (1.216 Dia.)	1033.5 kcmil 45/7 Str. (1.213 Dia.)			12.00 [305]	
S2GBP45A	S2GBPA45A	SH2GBP45A5	1192 kcmil 61 Str. (1.258 Dia.)	1033.5 kcmil 54/7 Str. (1.246 Dia.)	1.246 [32]	1.382 [35]	18.00 [457]	5/8"-11 X 2" LG. Alum. Alloy
S2GBP45A12	S2GBPA45A12	SH2GBP45A512	1272 kcmil 61 Str. (1.300 Dia.)	1192.5 kcmil 54/19 Str. (1.333 Dia.)			12.00 [305]	

NOTES:

1. Dimensions in brackets [] are in millimeters.
2. For stainless steel hardware add SUFFIX "SS" to catalog number (example: S2GBP41ASS).
3. For variations in cable spacing contact factory.

4. For pad rotated 90° on S2GBPA-A add suffix R90 to the catalog number (example: S2GBPA44AR90).
5. For Bolt Circles other than 5 inch on type SH2GBP-A contact factory.

6. S2GBPA-A connectors rated 550 kV when used with type "STS" Shielding Caps. Ordered separately.

Transmission Bolted Bundled Cable Spacers

BURNDY®

BOLTED BUNDLED CABLE SPACER (Continued)

S2GBP-A (Spacer)
S2GBPA-A (Terminal Tap)
SH2GBP-A (Bus Support)

Catalog Number			Cable Range		Cable Dia.		"L"	"J" Dia.
Fig. 1	Fig. 2	Fig. 3	AAC	ACSR	Min.	Max.		
S2GBP46A	S2GBPA46A	SH2GBP46A5	1590 kcmil 61 Str. (1.453 Dia.)	1272 kcmil 54/19 Str. (1.382 Dia.)	1.382 [35]	1.504 [38]	18.00 [457]	5/8"-11 X 1-3/4" LG. Alum. Alloy
S2GBP46A12	S2GBPA46A12	SH2GBP46A512	1600 kcmil 127 Str. (1.454 Dia.)	1431 kcmil 54/19 Str. (1.465 Dia.)			12.00 [305]	
S2GBP48A	S2GBPA48A	SH2GBP48A5	1750 kcmil 127 Str. (1.526 Dia.)	1590 kcmil 45/7 Str. (1.502 Dia.)	1.504 [38]	1.632 [41]	18.00 [457]	5/8"-11 X 2" LG. Alum. Alloy
S2GBP48A12	S2GBPA48A12	SH2GBP48A512	2000 kcmil 91 Str. (1.630 Dia.)	1750 kcmil 84/19 Str. (1.602 Dia.)			12.00 [305]	
S2GBP483A	S2GBPA483A	SH2GBP483A5	2000 kcmil 91 Str. (1.630 Dia.)	1890 kcmil 84/19 Str. (1.650 Dia.)	1.632 [41]	1.737 [44]	18.00 [457]	
S2GBP483A12	S2GBPA483A12	SH2GBP483A512	2250 kcmil 91 Str. (1.729 Dia.)	2167 kcmil 72/7 Str. (1.737 Dia.)			12.00 [305]	
S2GBP486A	S2GBPA486A	SH2GBP486A5	2300 kcmil 61 Str. (1.750 Dia.)	2167 kcmil 72/7 Str. (1.737 Dia.)	1.737 [44]	1.824 [46]	18.00 [457]	
S2GBP486A12	S2GBPA486A12	SH2GBP486A512	2500 kcmil 127 Str. (1.823 Dia.)	2156 kcmil 84/19 Str. (1.762 Dia.)			12.00 [305]	

I-64

NOTES:

- Dimensions in brackets [] are in millimeters.
- For stainless steel hardware add SUFFIX "SS" to catalog number (example: S2GBP41ASS).
- For variations in cable spacing contact factory.
- For pad rotated 90° on S2GBPA-A add suffix R90 to the catalog number (example: S2GBPA44AR90).
- For Bolt Circles other than 5 inch on type SH2GBP-A contact factory.
- S2GBPA-A connectors rated 550 kV when used with type "STS" Shielding Caps. Ordered separately.

**BOLTED BUNDLED
CABLE SPACER
(Two Bolt Clamping)**

- S2GBP-AB2 (Spacer)
- S2GBPA-AB2 (Terminal Tap)
- SH2GBP-A-B2 (Bus Support)

Bolted type

Application: Cable to Cable spacer
(Two Cables), Cable
spacer with four hole
pad, and Cable spacer
to insulator.

**EHV RATED: SELF-SHIELDING
UP TO 550 kV**

Material: Cast 356 Aluminum Alloy
Hardware: Aluminum Alloy

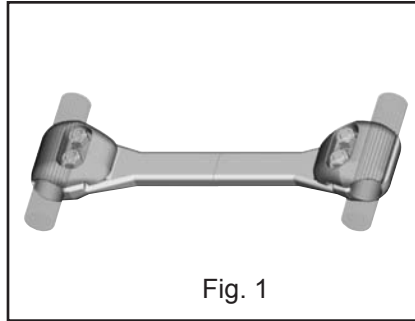


Fig. 1

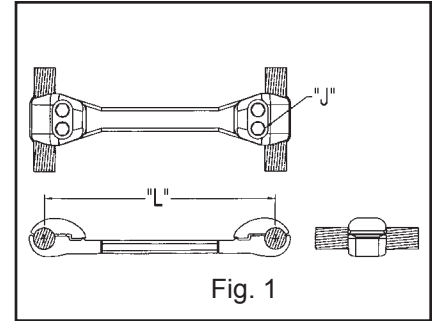


Fig. 1

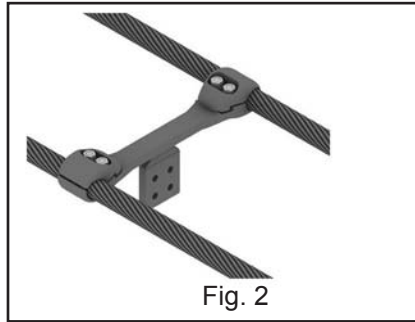


Fig. 2

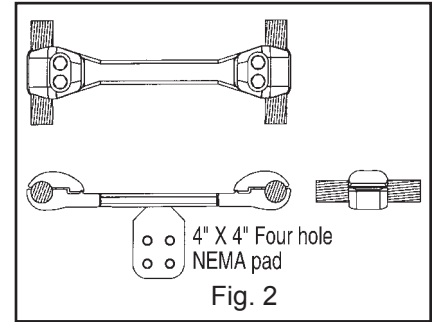


Fig. 2

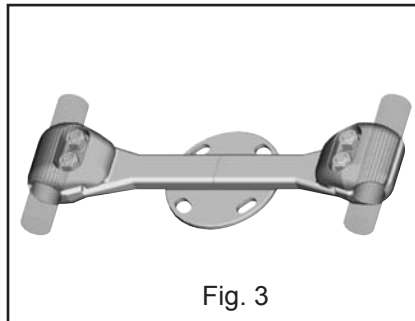


Fig. 3

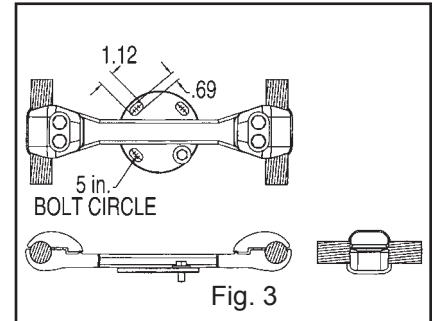


Fig. 3

I-65

Catalog Number			Cable Range		Cable Dia.		"L"	"J" Dia.
Fig. 1	Fig. 2	Fig. 3	AAC	ACSR	Min.	Max.		
S2GBP41AB2	S2GBPA41AB2	SH2GBP41A5B2	795 kcmil 37 Str. (1.026 Dia.)	715 kcmil 24/7 Str. (1.036 Dia.)	1.026 [26]	1.092 [28]	18.00 [457]	5/8"-11 X 1-1/2" LG. Alum. Alloy
S2GBP41A12B2	S2GBPA41A12B2	SH2GBP41A512B2	874.5 kcmil 61 Str. (1.077 Dia.)	715.5 kcmil 26/7 Str. (1.051 Dia.)			12.00 [305]	
S2GBP44AB2	S2GBPA44AB2	SH2GBP44A5B2	954 kcmil 61 Str. (1.126 Dia.)	795 kcmil 24/7 Str. (1.092 Dia.)	1.092 [28]	1.165 [30]	18.00 [457]	5/8"-11 X 1-3/4" LG. Alum. Alloy
S2GBP44A12B2	S2GBPA44A12B2	SH2GBP44A512B2		795 kcmil 54/7 Str. (1.093 Dia.)			12.00 [305]	
S2GBP445AB2	S2GBPA445AB2	SH2GBP445A5B2	1033.5 kcmil 37 Str. (1.170 Dia.)	954 kcmil 45/7 Str. (1.165 Dia.)	1.165 [30]	1.246 [32]	18.00 [457]	
S2GBP445A12B2	S2GBPA445A12B2	SH2GBP445A512B2	1113 kcmil 61 Str. (1.216 Dia.)	1033.5 kcmil 45/7 Str. (1.213 Dia.)			12.00 [305]	
S2GBP45AB2	S2GBPA45AB2	SH2GBP45A5B2	1192 kcmil 61 Str. (1.258 Dia.)	1033.5 kcmil 54/7 Str. (1.246 Dia.)	1.246 [32]	1.382 [35]	18.00 [457]	
S2GBP45A12B2	S2GBPA45A12B2	SH2GBP45A512B2		1272 kcmil 61 Str. (1.300 Dia.)			1192.5 kcmil 54/19 Str. (1.333 Dia.)	

NOTES:

1. Dimensions in brackets [] are in millimeters.
2. For stainless steel hardware add SUFFIX "SS" to catalog number (example: S2GBP41AB2SS).
3. For variations in cable spacing contact factory.
4. For pad rotated 90° on S2GBPA-AB2 add suffix R90 to the catalog number (example: S2GBPA44AB2R90).
5. For Bolt Circles other than 5 inch on type SH2GBP-A-B2 contact factory.
6. S2GBPA-B2 connectors rated 550 kV when used with type "STS" Shielding Caps. Ordered separately.

BOLTED BUNDLED CABLE SPACER (Two Bolt Clamping) (Continued)

S2GBP-AB2 (Spacer)
S2GBPA-AB2 (Terminal Tap)
SH2GBP-A-B2 (Bus Support)

I-66

Catalog Number			Cable Range		Cable Dia.		"L"	"J" Dia.
Fig. 1	Fig. 2	Fig. 3	AAC	ACSR	Min.	Max.		
S2GBP46AB2	S2GBPA46AB2	SH2GBP46A5B2	1590 kcmil 61 Str. (1.453 Dia.)	1272 kcmil 54/19 Str. (1.382 Dia.)	1.382	1.504	18.00 [457]	5/8"-11 X 1-3/4" LG. Alum. Alloy
S2GBP46A12B2	S2GBPA46A12B2	SH2GBP46A512B2	1600 kcmil 127 Str. (1.454 Dia.)	1431 kcmil 54/19 Str. (1.465 Dia.)	[35]	[38]	12.00 [305]	
S2GBP48AB2	S2GBPA48AB2	SH2GBP48A5B2	1750 kcmil 127 Str. (1.526 Dia.)	1590 kcmil 45/7 Str. (1.502 Dia.)	1.504	1.632	18.00 [457]	5/8"-11 X 2" LG. Alum. Alloy
S2GBP48A12B2	S2GBPA48A12B2	SH2GBP48A512B2	2000 kcmil 91 Str. (1.630 Dia.)	1750 kcmil 84/19 Str. (1.602 Dia.)	[38]	[41]	12.00 [305]	
S2GBP483AB2	S2GBPA483AB2	SH2GBP483A5B2	2000 kcmil 91 Str. (1.630 Dia.)	1890 kcmil 84/19 Str. (1.650 Dia.)	1.632	1.737	18.00 [457]	
S2GBP483A12B2	S2GBPA483A12B2	SH2GBP483A512B2	2250 kcmil 91 Str. (1.729 Dia.)	2167 kcmil 72/7 Str. (1.737 Dia.)	[41]	[44]	12.00 [305]	
S2GBP486AB2	S2GBPA486AB2	SH2GBP486A5B2	2300 kcmil 61 Str. (1.750 Dia.)	2167 kcmil 72/7 Str. (1.737 Dia.)	1.737	1.824	18.00 [457]	
S2GBP486A12B2	S2GBPA486A12B2	SH2GBP486A512B2	2500 kcmil 127 Str. (1.823 Dia.)	2156 kcmil 84/19 Str. (1.762 Dia.)	[44]	[46]	12.00 [305]	

NOTES:

- Dimensions in brackets [] are in millimeters.
- For stainless steel hardware add SUFFIX "SS" to catalog number (example: S2GBP41AB2SS).
- For variations in cable spacing contact factory.
- For pad rotated 90° on S2GBPA-AB2 add suffix R90 to the catalog number (example: S2GBPA44AB2R90).
- For Bolt Circles other than 5 inch on type SH2GBP-A-B2 contact factory.
- S2GBPA-B2 connectors rated 550 kV when used with type "STS" Shielding Caps. Ordered separately.

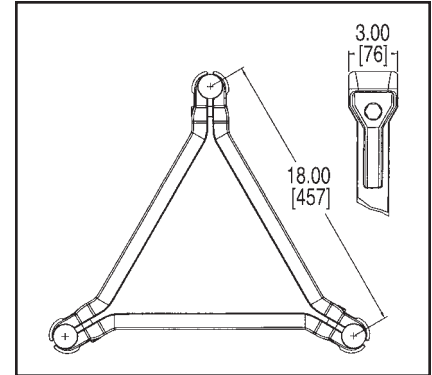
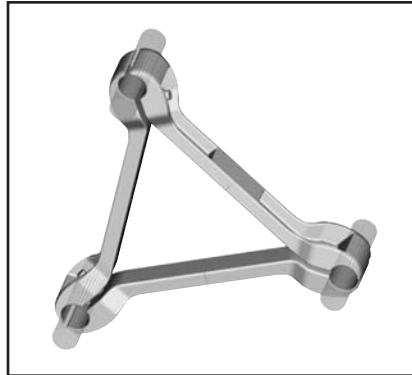
**BOLTED BUNDLED
CABLE SPACER
(Three Conductor)**

S3GBP-A

Bolted type
Application: Cable to Cable Spacer
(three cables)

**EHV RATED: SELF-SHIELDING
UP TO 550 kV**

Material: Cast 356 Aluminum Alloy
Hardware: Aluminum Alloy



Catalog Number	Cable Range		Cable Dia.		"J" Dia.
	AAC	ACSR	Min.	Max.	
S3GBP41A	795 kcmil 37 Str. (1.036 Dia.) 874.5 kcmil 61 Str. (1.077 Dia.)	715 kcmil 24/7 Str. (1.036 Dia.) 715.5 kcmil 26/7 Str. (1.051 Dia.)	1.026 [26]	1.092 [28]	5/8"-11 x 1-1/2" LG. Alum. Alloy
S3GBP44A	954 kcmil 61 Str. (1.126 Dia.)	795 kcmil 24/7 Str. (1.092 Dia.) 795 kcmil 54/7 Str. (1.093 Dia.)	1.092 [28]	1.165 [30]	5/8"-11 x 1-3/4" LG. Alum. Alloy
S3GBP445A	1033.5 kcmil 37 Str. (1.170 Dia.) 1113 kcmil 61 Str. (1.216 Dia.)	954 kcmil 45/7 Str. (1.165 Dia.) 1033.5 kcmil 45/7 Str. (1.213 Dia.)	1.165 [30]	1.246 [32]	
S3GBP45A	1192 kcmil 61 Str. (1.258 Dia.) 1272 kcmil 61 Str. (1.300 Dia.)	1033.5 kcmil 54/7 Str. (1.246 Dia.) 1192.5 kcmil 54/19 Str. (1.333 Dia.)	1.246 [32]	1.382 [35]	
S3GBP46A	1590 kcmil 61 Str. (1.453 Dia.) 1600 kcmil 127 Str. (1.454 Dia.)	1272 kcmil 54/19 Str. (1.382 Dia.) 1431 kcmil 54/19 Str. (1.465 Dia.)	1.382 [35]	1.504 [38]	"5/8"-11 x 2" LG. Alum. Alloy"
S3GBP48A	1750 kcmil 127 Str. (1.526 Dia.) 2000 kcmil 91 Str. (1.630 Dia.)	1590 kcmil 47/7 Str. (1.502 Dia.) 1750 kcmil 84/19 Str. (1.602 Dia.)	1.504 [38]	1.632 [41]	
S3GBP483A	2000 kcmil 91 Str. (1.630 Dia.) 2250 kcmil 91 Str. (1.729 Dia.)	1890 kcmil 84/19 Str. (1.650 Dia.) 2167 kcmil 72/7 Str. (1.737 Dia.)	1.632 [41]	1.737 [44]	
S3GBP486A	2300 kcmil 61 Str. (1.750 Dia.) 2500 kcmil 127 Str. (1.823 Dia.)	2167 kcmil 72/7 Str. (1.737 Dia.) 2156 kcmil 84/19 Str. (1.762 Dia.)	1.737 [44]	1.824 [46]	

NOTES:

1. Dimensions in brackets [] are in millimeters.
2. For stainless steel hardware add SUFFIX "SS" to catalog number (example: S3GBP48ASS).
3. For variations in cable spacing contact factory.
4. For four hole straight pad tap or 90° version or bus support three bundled cable spacer, contact the factory.

I-67

TYPE S-D-R

Spacer Damper

Since the 1960's BURNDY Spacer Dampers have been used on bundled conductor transmission lines around the world. Over 850,000 units have been installed on over 40,000 phase miles of conductor. Projects have included 2, 3, 4 and 6 bundle arrangements at voltage levels from 230 kV to 800 kV AC and up to +/-600 kV DC.



BURNDY motion control products are engineered per customer requirements and industry standards. Our engineering team has the experience and technology to provide the proper motion control answers to your bundled conductor transmission line projects.

Our history of design, testing and field installation experience enables us to provide Spacer Damper products along with placement recommendations for optimum performance.

I-68

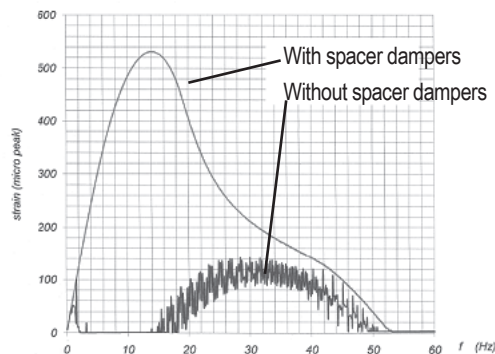
In most cases Spacer Dampers are custom designed for the specific transmission line requirements. Contact the factory for more information.

For installation points per span contact factory.

Conductor placement installation points are calculated with the recently developed proprietary BURNDY software.

Conductors: ACSR, AAC, ACAR					
Catalog Number	Bundle Size	Conductor Diameter Range	Spacing	Wrench Size	Tightening Torque
S3D451RMX1	3	1.09 - 1.13" 27.7 - 28.7mm	18" [457mm]	5/8" 16 mm	55 ft.-lb. 74.6 daN.m
S3D48RMX1	3	1.16 - 1.20" 29.5 - 30.5mm	18" [457mm]	5/8" 16 mm	55 ft.-lb. 74.6 daN.m
S3D55RMX1	3	1.50 - 1.55" 38.1 - 39.4mm	18" [457mm]	5/8" 16 mm	55 ft.-lb. 74.6 daN.m
S3D56RMX1	3	1.60 - 1.64" 40.6 - 41.6mm	18" [457mm]	5/8" 16 mm	55 ft.-lb. 74.6 daN.m
S3D451R25MX1	3	1.09 - 1.13" 27.7 - 28.7mm	2 @ 18" [457mm] 1 @ 25.5 [648mm]	5/8" 16 mm	55 ft.-lb. 74.6 daN.m
S3D48R25MX1	3	1.16 - 1.20" 29.5 - 30.5mm	2 @ 18" [457mm] 1 @ 25.5 [648mm]	5/8" 16 mm	55 ft.-lb. 74.6 daN.m
S3D55R25MX1	3	1.50 - 1.55" 38.1 - 39.4mm	2 @ 18" [457mm] 1 @ 25.5 [648mm]	5/8" 16 mm	55 ft.-lb. 74.6 daN.m
S3D59R25MX1	3	1.73 - 1.77" 43.9 - 45.0mm	2 @ 18" [457mm] 1 @ 25.5 [648mm]	5/8" 16 mm	55 ft.-lb. 74.6 daN.m
S4D451RMX1	4	1.09 - 1.13" 27.7 - 28.7mm	18" [457mm]	5/8" 16 mm	55 ft.-lb. 74.6 daN.m
S4D48RMX1	4	1.16 - 1.20" 29.5 - 30.5mm	18" [457mm]	5/8" 16 mm	55 ft.-lb. 74.6 daN.m
S4D55RMX1	4	1.50 - 1.55" 38.1 - 39.4mm	18" [457mm]	5/8" 16 mm	55 ft.-lb. 74.6 daN.m

Power Balance



Note: Other Bundle Configurations and Diameters may be available. Contact Customer Service.

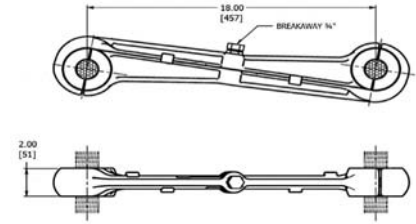
Crim-B	Crame	Grosbeak	string
	eds	0.22	()
	lam	0.85	()
LL	789	m	
D	0.025146	m	
m	1.302	kg	
H0	112.100	N	
Vflex	2.351	m/s	
H	24.662	N	
vT	137.6	m/s	
NSS	10	()	
Cz-B	IR	60	Hz

LSS(1)	LSS(2)	LSS(3)	LSS(4)	LSS(5)	LSS(6)	LSS(7)	LSS(8)	LSS(9)	LSS(10)	LSS(11)	LSS(12)	LSS(13)	LSS(14)	LSS(15)
44.0	82.5	87.0	84.0	90.0	85.5	82.5	88.5	84.0	41.0					
DLoc(1)	DLoc(2)	DLoc(3)	DLoc(4)	DLoc(5)	DLoc(6)	DLoc(7)	DLoc(8)	DLoc(9)	DLoc(10)	DLoc(11)	DLoc(12)	DLoc(13)	DLoc(14)	DLoc(15)
44.0	126.5	213.5	297.5	387.5	473.0	555.5	644.0	728.0	769.0					

TYPE S2GBP-ASG

Rigid Spacers

Since the 1960s, BURNDY has been providing motion control products for transmission lines. This rigid spacer line addresses the needs for many new transmission lines being designed with twin bundle conductor per phase. BURNDY rigid spacers are engineered to perform to customer and industry standards and carry with them the design, testing and field installation experience to provide the right solution for each transmission lines. **Placement recommendations are provided for optimum performance on each project.**



Industry Specifications:

IEC 61854:1998

Performance Requirements:

Corrosion Protection: Breakaway Bolt - Black Anodized Aluminum
Clamp Slip: Longitudinal = 200 lbs.

Torsional = 10 lb-ft

Breakaway Bolt: 10% above installation torque without damage

Fault Current: Up to 30kA

Simulated Short Circuit: Compression = 2400 lbs

Tensile = 1200 lbs.

Fatigue: Longitudinal = 1 million cycles

Voltage Rating: 345 kV

Temperature Rating: High Temperature (HT) Silicone rated to 250°C max

Standard EPDM rated to 125°C;
150°C (2 hours emergency)

Application Specifications:

Installation Torque: 752 lb-in ± 10%

Clamp: Breakaway secondary bolt head

Clamp Frame: Aluminum Alloy

Shearhead Bolt: Aluminum Alloy

Placement: Provided based on customer's span information

Packaging:

Typical Example: 10 spacers per wood box (25"x11.5"x11")
Each spacer packed in plastic bag
(Actual packaging would be based on customers specifications for project worksite.)

Product Description:

Bundle Size: 2 Conductors

Spacing: 18" center to center

Weight: 6 lbs.

Catalog Number	Conductor O.D. inches [metric]	Liner Material	Conductor Type
S2GBP451ASG4	1.08" - 1.15" [27.4 - 29.2]	EPDM	ACSR
S2GBP451ASG1HT	1.08" - 1.15" [27.4 - 29.2]	Silicone	ACSS/ACCC
S2GBP47ASG1	1.15" - 1.19" [29.2 - 30.2]	EPDM	ACSR
S2GBP47ASG2HT	1.15" - 1.19" [29.2 - 30.2]	Silicone	ACSS/ACCC
S2GBP48ASG2	1.19" - 1.25" [30.2 - 31.8]	EPDM	ACSR
S2GBP48ASG1HT	1.19" - 1.25" [30.2 - 31.8]	Silicone	ACSS/ACCC
S2GBP52ASG1	1.25" - 1.31" [31.8 - 33.3]	EPDM	ACSR
S2GBP52ASG2HT	1.25" - 1.31" [31.8 - 33.3]	Silicone	ACSS/ACCC
S2GBP51ASG1	1.32" - 1.36" [33.5 - 34.5]	EPDM	ACSR
S2GBP51ASG2HT	1.32" - 1.36" [33.5 - 34.5]	Silicone	ACSS/ACCC
S2GBP521ASG1	1.37" - 1.41" [34.8 - 35.8]	EPDM	ACSR
S2GBP521ASG2HT	1.37" - 1.41" [34.8 - 35.8]	Silicone	ACSS/ACCC
S2GBP54ASG1	1.42" - 1.46" [36.1 - 37.1]	EPDM	ACSR
S2GBP54ASG2HT	1.42" - 1.46" [36.1 - 37.1]	Silicone	ACSS/ACCC
S2GBP463ASG6	1.50" - 1.55" [38.1 - 39.4]	EPDM	ACSR
S2GBP463ASG1HT	1.50" - 1.55" [38.1 - 39.4]	Silicone	ACSS/ACCC

**THE WEJTAP™
SYSTEM**

**FOR ELECTRIC UTILITY
DISTRIBUTION AND
TRANSMISSION
CONNECTIONS**



J-1

TABLE OF CONTENTS

WEJTAP™ Connection System	J-3		WEJTAP™ Booster Function Video :55 Seconds
WEJTAP™ and Test Data	J-4		
WEJTAP™ Ordering Information	J-5		
WEJTAP™ Cover	J-5		Closing the Breech Video :22 Seconds
WEJTAP™ Connector Selection Chart (by Diameter)	J-6 - J-8		
★ NEW ★ WEJTAP™ Copper WEJTAP™	J-9, J-10		Removal of Booster Video :27 Seconds
WEJTAP™ STIRRUP™ and Power Boosters	J-11		
WEJTAP™ STIRRUP™ Selection Chart	J-11		Connector Installation Video 2 min. 19 Seconds
WEJTAP™ Installation Tools	J-12		
Installation Tool Accessories	J-12		Connector Removal Video 1 min. 57 Seconds
WEJTAP™ POWERLUG™	J-13		
WEJTAP™ Hotstick Accessories	J-14		
WEJTAP™ Kit Ordering Instructions	J-15		Slow Motion Installation Video :18 Seconds
WEJTAP™ In-Line Disconnect	J-16		
Bolted Wedge In-Line Disconnect	J-17		WEJTAP™ Tool Cleaning Video 2 min. 50 Sec.
			Tightening of Tool Video :26 Seconds

BURNDY WEJTAP™

CONNECTION SYSTEM

BURNDY®, a leading manufacturer of quality electrical connectors for over 70 years, introduces the WEJTAP™ SYSTEM, a system that adds further dimension to the existing BURNDY® group of proven, reliable connection systems.

WEJTAP™ COMPONENTS are designed to provide a reliable system connection. The system consists of WEJTAP™ connectors, installation tools (including a variety of hotline and lineman accessories) and a unique power-booster.

WEJTAP™ CONNECTORS use an aluminum alloy wedge that is power-driven between the run and the tap cables locking them into a “C” shaped tempered aluminum alloy spring-body. The spring-body maintains consistent pressure throughout the life of the connection to ensure reliability during severe electrical and climatic conditions. The wedge’s wiping action combined with factory installed PENTX 1530 provides superior contact integrity. The wedge is automatically locked onto the spring-body by a skiving action produced by a lance at the forward end of the WEJTAP™ installation tool.

The **WEJTAP™ TOOL** is a one-piece assembly that consists of a head and power unit. Two color-coded interchangeable heads accept all WEJTAP™ connectors and STIRRUP™. The design of the tool recognizes the need for simplicity and speed of operation as well as outstanding safety features such as automatic gas release vented away from the operator, fast simple breech loading and fast advance when engaging the connector assembly. No loose parts to drop or misplace and a booster ejection system that provides further safety to the operator. Fewer simplified hotline devices and handy lineman accessories complete an outstanding tool package.



The **WEJTAP™ POWER-BOOSTER** Patented is a self-contained device that provides the force necessary to drive the wedge into direct contact with the conductors. The booster is activated only when properly positioned in the tool assembly. A power cell in the booster is recessed to guard against premature discharge. The tool/booster system is designed to activate and deactivate the booster automatically should the operator decide to remove the tool from a connector prior to completing the installation. The deactivated booster may be safely removed from the tool.



J-3

Features and Benefits

- Large conductor chamfer on ends of wedge
 - ◇ Instant hand or visual identification of large run grooves. Ensures correct wedge orientation.
- Color-coded WEJTAP™ connector and booster packaged together
 - ◇ Easy selection by installer.
- Factory coated grooves with PENTX 1530
 - ◇ Maintains low contact resistance, assists in protection against climatic conditions and is compatible with common insulations.
- One-piece tool
 - ◇ No project delays due to dropped or lost parts.
- Fewer and improved hotstick accessories
 - ◇ Simplifies hotline installation and saves time.
- Contained booster ejection system
 - ◇ Safe for operator guards against the booster being ejected in direction of the installer.



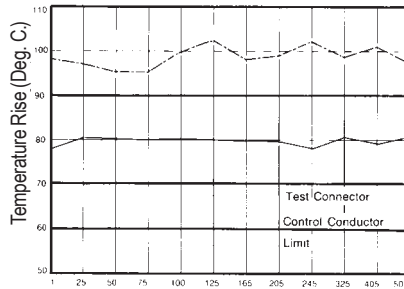
- Automatic gas release vented away from operator
 - ◇ Eliminates manual gas venting and improves safety.
- Simplified loading
 - ◇ Speeds installation — no threads — just depress safety bar, twist and pull open — load — push and twist to close prior to applying connector.
- Acme-type threads
 - ◇ Provides smooth, fast engagement of tool and connector — saves installer’s time.

WEJTAP™ AND TEST DATA

WEJTAP™ connectors have been subjected to extensive tests simulating the most severe service and weather conditions. In addition, the WEJTAP™ system meets or exceeds the industry standards of ANSI C119.4 Class 3, NEMA CC3 1973 Class AA, 500 Heat Cycles.

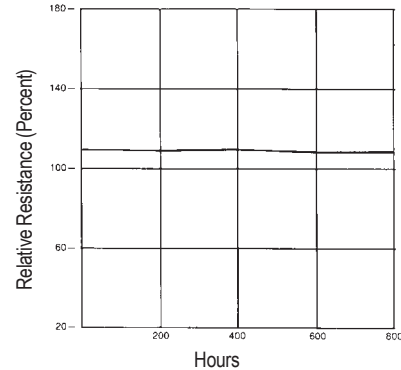
As with all BURNDY® connectors, the WEJTAP™ has been designed to operate cooler than the attached conductors. The WEJTAP™ connectors have also been subjected to the ASTM B117-73 Salt Spray Test. The results are shown to the right.

ANSI C119.4 - 1986 Heat Cycle Test
Average Temperature Rise vs. Current Cycles



Detailed test report packages are available upon request.

ASTM Salt Spray Test
Average % Relative Resistance vs. Hours of Salt Spray Exposure

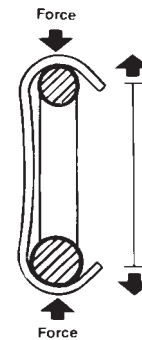
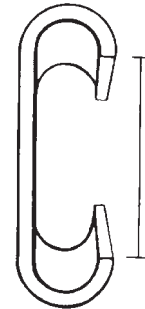


WEJTAP™

C-member bodies are color-coded and the wedges are marked with nominal conductor run and tap ranges. WEJTAP™ connector packages are labeled with a variety of common conductors with their nominal ranges.



RUS Accepted



J-4

- WEJTAP™ connector wedges are marked with nominal ACSR, Aluminum and Copper concentric standard conductors.
- Red WEJTAP™ connector range
Run 8-1/0 Tap 8-2
- Blue WEJTAP™ connector range
Run 2-300 Tap 6-300
- Yellow WEJTAP™ connector range
Run 266.8-1590 Tap 6-1590

All WEJTAP™ wedges contain a clearly defined chamfer on the large end of the run conductor groove to identify the "large run" groove. Installers will appreciate the convenience of visual or hand identification for correct wedge positioning.

WEJTAP™ wedges are driven between the run and tap conductors and activate the spring characteristics of the "C" shaped body. This action maintains contact pressure even when the connection is subjected to severe climatic and electrical conditions.

The BURNDY® WEJTAP™ System has a wide variety of connectors available for many different conductor ranges.

Color coded boosters and connectors ensure proper matching during installation.

The BURNDY® Power Booster is designed and engineered for the highest reliability and safety. Proven rimfire design means misfires are almost nonexistent. Close manufacturing component tolerances provide maximum resistance to moisture or submersion.



ORDERING INFORMATION

■ Power boosters may be ordered separately in boxes of 25.

- Red boosters **Cat. # WPBRN Box 25**
- Blue boosters **Cat. # WPBBN Box 25**
- Yellow boosters **Cat. # WPBYN Box 25**

Select appropriate connector; match with equal number of color coded boosters (see below).

WPB—Red, Blue, Yellow Boosters

For information about conductors which are not listed, and for further ordering information, please contact BURNDY® at 1-800-346-4175.



J-5

WEJTAP™ COVER

WEJTAP™ Covers are installed on WEJTAP™ connectors to prevent them from coming in contact with other taps or exposed ground points. The covers are rugged snap-on devices available in four sizes to cover all connector sizes.



Cover Catalog Number	WEJTAP™ Size	Nominal Conductor Range Run	Nominal Conductor Range Tap	Cover Color
WCCR	Small Old Style Red	8-1/0	8-2	Black Weather Rated
WCCB	Red & Blue	2-300	6-300	
WCCSY	Small (Yellow)	300-556.50	6-556.50	
WCCLY	Large (Yellow)	556.50-1033.50	556.5-1033.50	

BURNDY WEJTAP™
SELECTION CHART

By Diameter

Catalog Number	Sum of Diameters		Run		Tap	
	Max	Min	Max	Min	Max	Min
Installed with red booster						
WCR29	0.723	0.584	0.398	0.257	0.398	0.257
WCR30	0.649	0.516	0.398	0.257	0.325	0.206
WCR31	0.602	0.464	0.398	0.257	0.258	0.162
WCR32	0.530	0.410	0.326	0.204	0.258	0.162
WCR33	0.459	0.331	0.258	0.169	0.230	0.162
WCR34	0.324	0.256	0.162	0.128	0.162	0.128
WCR35	0.560	0.452	0.398	0.257	0.162	0.128
WCR36	0.487	0.387	0.398	0.257	0.162	0.128
WCR37	0.416	0.297	0.258	0.169	0.162	0.128
Installed with blue booster						
WCB10	0.795	0.621	0.482	0.316	0.437	0.257
WCB11	0.901	0.763	0.568	0.364	0.457	0.257
WCB12	0.707	0.526	0.568	0.364	0.204	0.162
WCB13	0.761	0.600	0.568	0.364	0.258	0.204
WCB14	0.839	0.690	0.568	0.364	0.398	0.257
WCB15	0.769	0.622	0.568	0.364	0.204	0.162
WCB16	0.823	0.664	0.568	0.364	0.258	0.204
WCB17	0.963	0.804	0.568	0.364	0.464	0.257
WCB18	1.011	0.867	0.568	0.364	0.572	0.364
WCB19	1.068	0.938	0.568	0.364	0.572	0.379
WCB20	1.130	0.975	0.568	0.364	0.572	0.386
WCB21	0.846	0.711	0.650	0.532	0.204	0.162
WCB22	0.900	0.765	0.650	0.532	0.258	0.204
WCB23	0.972	0.818	0.650	0.532	0.330	0.257
WCB24	1.052	0.897	0.650	0.532	0.500	0.324
WCB25	1.104	0.963	0.650	0.532	0.562	0.364
WCB26	1.163	1.015	0.650	0.532	0.562	0.409
WCB27	1.221	1.080	0.650	0.532	0.575	0.460
WCB28	1.284	1.141	0.650	0.532	0.650	0.525
WCB40	0.888	0.762	0.684	0.603	0.204	0.162
WCB41	0.942	0.794	0.684	0.600	0.258	0.204
WCB42	1.011	0.857	0.684	0.600	0.333	0.257
WCB43	1.094	0.936	0.684	0.600	0.500	0.324
WCB44	1.146	1.009	0.684	0.600	0.562	0.364
WCB45	1.204	1.057	0.684	0.600	0.562	0.409
WCB46	1.284	1.119	0.684	0.600	0.592	0.460
WCB47	1.368	1.188	0.684	0.600	0.684	0.600
Installed with yellow booster						
WCY48	0.932	0.765	0.750	0.537	0.204	0.162
WCY49	1.012	0.807	0.750	0.537	0.271	0.203
WCY50	1.069	0.860	0.750	0.537	0.355	0.257
WCY51	1.141	0.927	0.750	0.537	0.557	0.324

**BURNDY WEJTAP™
SELECTION CHART**

By Diameter

Catalog Number	Sum of Diameters		Run		Tap	
	Max	Min	Max	Min	Max	Min
Installed with yellow booster						
WCY52	1.190	1.001	0.750	0.537	0.588	0.364
WCY53	1.236	1.012	0.750	0.537	0.619	0.409
WCY54	1.302	1.063	0.750	0.537	0.630	0.46
WCY55	1.370	1.140	0.750	0.537	0.714	0.499
WCY56	1.456	1.245	0.750	0.537	0.750	0.524
WCY57	1.190	0.979	0.893	0.666	0.326	0.257
WCY58	1.087	0.931	0.893	0.666	0.258	0.198
WCY59	1.061	0.891	0.893	0.666	0.199	0.162
WCY60	1.854	1.686	0.950	0.722	0.950	0.722
WCY61	1.741	1.524	0.940	0.683	0.940	0.666
WCY62	1.594	1.379	0.940	0.683	0.750	0.573
WCY63	1.500	1.297	0.940	0.683	0.750	0.481
WCY64	1.421	1.216	0.940	0.683	0.650	0.436
WCY65	1.360	1.147	0.940	0.683	0.562	0.382
WCY66	1.305	1.097	0.940	0.683	0.562	0.336
WCY67	1.270	1.054	0.940	0.683	0.450	0.315
WCY68	1.253	1.115	0.940	0.683	0.326	0.257
WCY69	1.187	1.059	0.940	0.683	0.262	0.204
WCY70	1.130	1.013	0.940	0.683	0.204	0.162
WCY71	2.216	2.074	1.133	0.907	1.156	0.947
WCY72	2.133	1.999	1.133	0.907	1.142	0.927
WCY73	2.098	1.946	1.133	0.907	1.142	0.907
WCY74	2.035	1.891	1.133	0.907	1.142	0.858
WCY75	1.969	1.822	1.133	0.889	0.927	0.763
WCY76	1.901	1.741	1.133	0.889	0.900	0.700
WCY77	1.829	1.677	1.133	0.889	0.750	0.575
WCY78	1.750	1.599	1.133	0.889	0.729	0.525
WCY79	1.670	1.526	1.133	0.889	0.722	0.364
WCY80	1.610	1.466	1.133	0.889	0.608	0.364
WCY81	1.555	1.411	1.133	0.889	0.608	0.364
WCY82	1.506	1.362	1.133	0.889	0.436	0.324
WCY83	1.440	1.288	1.133	0.889	0.398	0.257
WCY84	1.369	1.221	1.133	0.889	0.333	0.203
WCY85	1.306	1.158	1.133	0.889	0.258	0.162
WCY86	2.496	2.332	1.250	0.893	1.250	1.000
WCY87	2.418	2.251	1.250	0.893	1.250	0.856
WCY88	2.354	2.194	1.250	0.893	1.211	0.971
WCY89	2.297	2.137	1.250	0.893	1.200	0.923
WCY90	2.238	2.083	1.250	0.893	1.159	0.868
WCY91	2.173	2.013	1.250	0.893	1.130	0.856
WCY92	2.104	1.950	1.250	0.893	0.904	0.720
WCY93	2.029	1.869	1.250	0.893	0.900	0.700
WCY94	1.967	1.831	1.250	0.893	0.750	0.588
WCY95	1.888	1.728	1.250	0.893	0.722	0.525
WCY96	1.811	1.648	1.250	0.893	0.609	0.364
WCY97	1.748	1.591	1.250	0.893	0.598	0.385
WCY98	1.695	1.533	1.250	0.893	0.598	0.364
WCY99	1.644	1.489	1.250	0.893	0.398	0.324

J-7

**BURNDY WEJTAP™
SELECTION CHART**

By Diameter

Catalog Number	Sum of Diameters		Run		Tap	
	Max	Min	Max	Min	Max	Min
Installed with yellow booster						
WCY100	1.572	1.400	1.250	0.893	0.351	0.257
WCY101	1.503	1.343	1.250	0.893	0.261	0.204
WCY102	1.454	1.284	1.250	0.893	0.198	0.162
WCY103	2.604	2.484	1.302	1.242	1.302	1.242
WCY104	2.567	2.407	1.302	1.242	1.265	1.165
WCY105	2.489	2.329	1.302	1.242	1.187	1.087
WCY106	2.418	2.258	1.302	1.242	1.116	1.016
WCY107	2.373	2.213	1.302	1.242	1.071	0.971
WCY108	2.318	2.158	1.302	1.242	1.016	0.916
WCY109	2.255	2.095	1.302	1.242	0.953	0.853
WCY110	2.179	2.019	1.302	1.242	0.877	0.777
WCY111	2.102	1.942	1.302	1.242	0.800	0.700
WCY112	2.044	1.884	1.302	1.242	0.742	0.642
WCY113	1.961	1.801	1.302	1.242	0.659	0.559
WCY114	1.940	1.740	1.350	1.242	0.590	0.498
WCY115	1.863	1.663	1.350	1.242	0.513	0.421
WCY116	1.812	1.612	1.350	1.242	0.462	0.370
WCY117	1.762	1.562	1.350	1.242	0.412	0.320
WCY118	1.703	1.503	1.350	1.242	0.353	0.261
WCY119	1.631	1.431	1.350	1.242	0.281	0.189
WCY120	1.580	1.380	1.350	1.242	0.230	0.138
WCY121	2.844	2.642	1.422	1.314	1.422	1.328
WCY122	2.764	2.562	1.422	1.314	1.342	1.248
WCY123	2.680	2.479	1.422	1.314	1.258	1.164
WCY124	2.596	2.394	1.422	1.314	1.174	1.080
WCY125	2.535	2.333	1.422	1.314	1.113	1.019
WCY126	2.481	2.279	1.422	1.314	1.059	0.965
WCY127	2.426	2.224	1.422	1.314	1.004	0.910
WCY128	2.376	2.174	1.422	1.314	0.954	0.860
WCY129	2.286	2.084	1.422	1.314	0.864	0.770
WCY130	2.216	2.014	1.422	1.314	0.794	0.700
WCY131	2.152	1.950	1.422	1.314	0.730	0.636
WCY132	2.070	1.868	1.422	1.314	0.648	0.554
WCY133	1.990	1.786	1.422	1.314	0.568	0.472
WCY134	1.931	1.729	1.422	1.314	0.509	0.415
WCY135	1.876	1.674	1.422	1.314	0.454	0.360
WCY136	1.831	1.629	1.422	1.314	0.409	0.315
WCY137	1.771	1.569	1.422	1.314	0.349	0.255
WCY138	1.706	1.504	1.422	1.314	0.284	0.190
WCY139	1.664	1.462	1.422	1.314	0.242	0.148
WCY140	3.045	2.090	1.533	1.471	1.547	1.471
WCY145	2.596	2.534	1.533	1.032	1.094	1.032

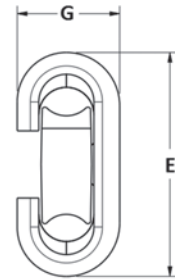
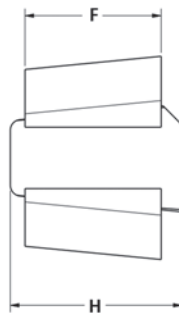
**WEJTAP™
COPPER WEJTAP™**

CONNECTION SYSTEM

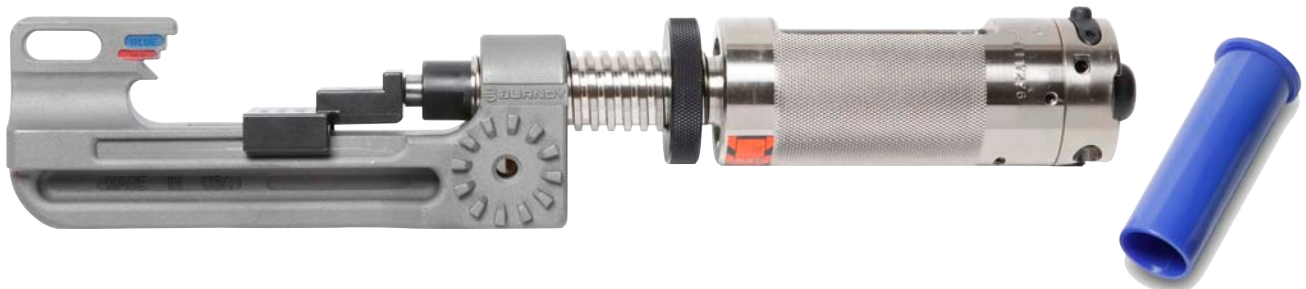
The BURNDY® Copper WEJTAP™ powder actuated copper connectors are designed for overhead copper to copper tap applications.

Features include:

- Newly expanded range taking capabilities
- New larger size connector for #6 - #2 applications
- Uses standard BURNDY® WEJTAP™ tooling without the need for installation platforms
- Meets latest ANSI C119.4 (2011) including optional fault current test annex
- Prefilled with PENETROX™ E to improve the performance over the life of the connection



Catalog Number	Copper Conductor Dia. Accommodated (in)			Dimensions				Tooling	Installation Booster Color	Fault Current Rating (KA)
	Run Range	Tap Range	Sum Range	E	F	G	H			
WCB4C4	0.162 - 0.258	0.162 - 0.232	0.324 - 0.464	2.40	1.63	1.02	2.05	WTHRB-1S	Blue	12.50
WCB2C2	0.258 - 0.368	0.162 - 0.292	0.452 - 0.600							
WCB10C2	0.292 - 0.376	0.162 - 0.292	0.524 - 0.665							
WCB20C2	0.300 - 0.430	0.162 - 0.292	0.576 - 0.734							
WCB20C20		0.300 - 0.414	0.710 - 0.844							
WCB30C2	0.360 - 0.516	0.162 - 0.292	0.622 - 0.775							
WCB40C2	0.375 - 0.538	0.162 - 0.292	0.680 - 0.822							
WCB40C20		0.330 - 0.464	0.814 - 0.952							
WCB40C40		0.375 - 0.538	0.936 - 1.072							
WCB250C2	0.435 - 0.574	0.162 - 0.292	0.730 - 0.875							
WCB250C20		0.293 - 0.430	0.875 - 1.033							
WCB250C250		0.431 - 0.574	1.033 - 1.150							



BURNDY Catalog Number:
WCB4C4

RUN	TAP
#6 CU SOL	#6 CU SOL
#6 CU STR	#6 CU SOL - #6 CU STR
#4 CU SOL	#6 CU SOL - #4 CU SOL
#4 CU STR	#4 CU STR - #6 CU SOL
#2 CU SOL	#6 CU SOL - #6 CU STR

BURNDY Catalog Number:
WCB2C2

RUN	TAP
#2 CU SOL	#4 CU SOL - #2 CU SOL
#2 CU STR	#6 CU SOL - #2 CU STR
1/0 CU STR	#6 CU SOL - #4 CU STR

BURNDY Catalog Number:
WCB10C2

RUN	TAP
#2 CU STR	#4 CCS* - #2 CU STR
1/0 CU SOL	#6 CU SOL - #2 CU STR
1/0 CU STR	#6 CU SOL - #2 CU STR

J-10

BURNDY Catalog Number:
WCB20C2

RUN	TAP
1/0 CU STR	#2 CU SOL - #2 CU STR
2/0 CU STR	#6 CU SOL - #2 CU STR

BURNDY Catalog Number:
WCB20C20

RUN	TAP
1/0 CU STR	1/0 CU STR
2/0 CU STR	1/0 CU STR - 2/0 CU STR

BURNDY Catalog Number:
WCB30C2

RUN	TAP
4/0 CU SOL	#6 CU SOL - #2 CU STR

BURNDY Catalog Number:
WCB40C2

RUN	TAP
4/0 CU STR	#6 CU SOL - #2 CU STR

BURNDY Catalog Number:
WCB40C20

RUN	TAP
3/0 CU STR	1/0 CU STR - 3/0 CU STR
4/0 CU STR	1/0 CU STR - 2/0 CU STR

BURNDY Catalog Number:
WCB40C40

RUN	TAP
4/0 CU STR	4/0 CU SOL - 4/0 CU STR

BURNDY Catalog Number:
WCB250C2

RUN	TAP
250 CU STR	#6 CU SOL - #2 CU STR

BURNDY Catalog Number:
WCB250C20

RUN	TAP
250 CU STR	1/0 CU STR - 2/0 CU STR

BURNDY Catalog Number:
WCB250C250

RUN	TAP
250 CU STR	4/0 CU SOL - 250 CU STR

* Copper Clad Steel

**WEJTAP™
STIRRUP™ AND
POWER BOOSTERS**



(Large) Run Conductor position is identified on all wedges via a distinct chamfer.

QIK Selector - for common ACSR, Aluminum and Copper Conductors

Catalog Number	Nominal Cable Range	Bail Size
Small Red Cable Range 6-2		
WSS1	6	2
WSS2	5, 4, 2	
Medium Blue Cable Range 1-300		
* WSM1	2, 1, 1/0, 2/0	2
WSM2	2/0, 3/0	2
WSM3	3/0 - 4/0	2
WSM4		2/0
WSM5	266.8	2
WSM6		1/0
WSM7	350	1/0
WSM11	266.8 - 336.4	4/0

* WSM1 now accepts #2 conductor

Catalog Number	Nominal Cable Range	Bail Size
Large Yellow Cable Range 300-1033.5		
WSL1	336.4	1/0
WSL2		2/0
WSL3		4/0
WSL4	397.5 - 477	1/0
WSL5		2/0
WSL6		4/0
WSL7	556.5	1/0
WSL8		2/0
WSL9		4/0
WSL10	636	4/0
WSL11		2/0
WSL12	795	2/0
WSL13		4/0
WSL14	1033.5	4/0

**BURNDY WEJTAP™
STIRRUP™
SELECTION CHART**

By Diameter

Catalog Number	Sum of Diameters		Run		Tap	
	Max.	Min.	Max.	Min.	Max.	Min.
Small stirrups						
WSS1	0.454	0.412	0.204	0.162	0.250	0.250
WSS2	0.575	0.456	0.325	0.206	0.250	0.250
Medium sized stirrups						
WSM1	0.697	0.575	0.447	0.325	0.250	0.250
WSM10	0.887	0.784	0.563	0.460	0.324	0.324
WSM2	0.752	0.615	0.502	0.365	0.250	0.250
WSM3	0.813	0.660	0.563	0.410	0.250	0.250
WSM4	0.938	0.835	0.563	0.460	0.375	0.375
WSM5	0.892	0.787	0.642	0.537	0.250	0.250
WSM6	0.968	0.861	0.642	0.537	0.324	0.324
WSM7	1.008	0.898	0.684	0.574	0.324	0.324
WSM8	0.934	0.824	0.684	0.574	0.250	0.250
WSM9	0.771	0.649	0.447	0.325	0.324	0.324
Large stirrups						
WSL1	1.050	0.927	0.726	0.603	0.324	0.324
WSL10	1.479	1.389	1.019	0.929	0.460	0.460
WSL11	1.394	1.304	1.019	0.929	0.375	0.375
WSL12	1.515	1.399	1.140	1.024	0.375	0.375
WSL13	1.600	1.484	1.140	1.024	0.460	0.460
WSL14	1.708	1.606	1.248	1.146	0.460	0.460
WSL2	1.101	0.978	0.726	0.603	0.375	0.375
WSL3	1.186	1.063	0.726	0.603	0.460	0.460
WSL4	1.186	1.046	0.862	0.722	0.324	0.324
WSL5	1.237	1.097	0.862	0.722	0.375	0.375
WSL6	1.322	1.182	0.862	0.722	0.460	0.460
WSL7	1.251	1.170	0.927	0.846	0.324	0.324
WSL8	1.302	1.221	0.927	0.846	0.375	0.375
WSL9	1.387	1.306	0.927	0.846	0.460	0.460

J-11

**WEJTAP™
INSTALLATION
TOOLS**



Type WTB

The WEJTAP™ patented tool body is a one-piece assembly basic drive mechanism used to install WEJTAP™ and STIRRUP™ connectors ranging from #8 AWG through 1590 kcmil ACSR.



Type WTHRB1S

WEJTAP™ tool head operating platform for small and medium range (red/blue coded) connectors.



Type WTHY1S

WEJTAP™ tool head operating platform for medium and large range (yellow coded) connectors.

**WEJTAP™
INSTALLATION TOOL
ACCESSORIES**

J-12



Type WTOCBR

WEJTAP™ removal clip for red type II and medium (blue coded) tap connectors used with type WTHRB tool head.



Type WTOCY

WEJTAP™ removal clip for large (yellow coded) tap connectors used with type WTHY tool head.



Type WTCK

WEJTAP™ tool cleaning/maintenance kit for use with type WTB tool body.



Type WTBASY1

WEJTAP™ ram replacement assembly.

WEJTAP™
POWERLUG™

WEJTAP™ POWERLUG™ terminals are made of cast aluminum alloy for termination of ACSR and Aluminum conductors.

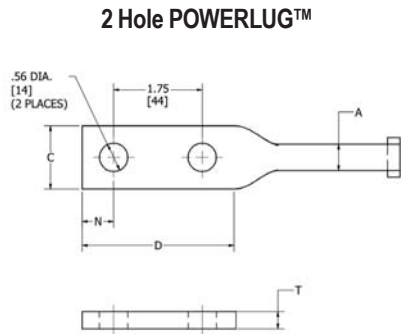


Fig. 1

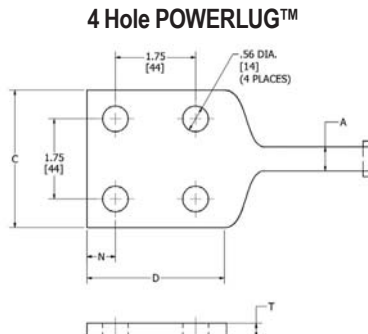


Fig. 2

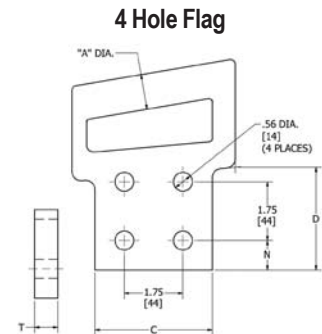


Fig. 3

Catalog Number	Tap Groove for Connector Selection	Standard Conductor		Figure No.	Holes in Pad	Dimension			
		ACSR	ASC/AAC			C	D	N	T
WCAB30R-2N	4/0 Standard ACSR (.563 in OD)	6 Str. - 266.8	6 Str. - 300	1	2	1-1/4	3	5/8	0.34
WCAB30R-4N				2	4	3	3	5/8	0.30
WCB30R-4N				3	4	3	3	5/8	0.30
WCAY39R-2N	336.4 Standard ACSR (.721 in OD)	266.8 - 556.5	336.4 - 636	1	2	1-3/4	3	5/8	0.34
WCAY39R-4N				2	4	3	3	5/8	0.30
WCBY39R-4N				3	4	3	3	5/8	0.30
WCAY49R-2N	795 Standard ACSR (1.108 in OD)	605 - 1033.5	715.5 - 1113	1	2	1-3/4	3-1/2	7/8	0.69
WCAY49R-4N				2	4	3-1/2	3-1/2	7/8	0.69
WCBY49R-4N				3	4	3-1/2	3-1/2	7/8	0.69

NOTE: The recommended connector and booster are ordered separately. Catalog number is for the POWERLUG™ only. Use the Tap Groove Connector diameter, along with the application run conductor diameter, to choose the correct WEJTAP™ connector.

MULTIPLE CONDUCTOR TAP APPLICATION

Connector	*Run Groove	*Tap Groove
WCY 64 PB	Three - 1/0 ACSR (6/1) Diameter = 0.398	One - 4/0 ACSR (6/1) Diameter = 0.563
WCY 65 PB	Three - 1/0 ACSR (6/1) Diameter = 0.398	One - 3/0 ACSR (6/1) Diameter = 0.502
WCY 63 PB	Three - 2/0 ACSR (6/1) Diameter = 0.447	One - 4/0 ACSR (6/1) Diameter = 0.563
WCB 11 PB	Three - #4 stranded Diameter = 0.232	One - 1/0 ACSR (6/1) Diameter = 0.398
WCY 54 PB	Three - 1/0 stranded Diameter = 0.368	One - 4/0 stranded Diameter = 0.522
WCY 53 PB	Three - 1/0 stranded Diameter = 0.368	One - 3/0 stranded Diameter = 0.464
WCY 64 PB	Three - 2/0 stranded Diameter = 0.414	One - 4/0 stranded Diameter = 0.522
WCB 11 PB	Three - #4 stranded Diameter = 0.232	One - 1/0 stranded Diameter = 0.368

* Electrically, the three smaller conductors are the likely taps, however, during installation, they are located in the larger run groove due to their larger aggregate sum.

**WEJTAP™ HOTSTICK
 ACCESSORIES**



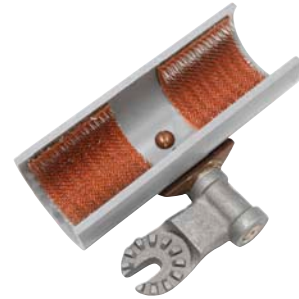
Type WHSCWH

WEJTAP™ hotstick connector clamp used to hold the tap connector spring-body and wedge for installation on energized lines with the shotgun hotstick.



Type WSHWHADP

WEJTAP™ hotstick angle wedge holder adapter attaches wedge clamp to universal hotstick for hotline installation.



Type WSHWB

WEJTAP™ hotstick wirebrush attaches to the universal hotstick for cleaning the contact surface of the line conductor.



J-14

Type WHSPBC

WEJTAP™ hotstick dual cable clamp used to hold run and tap conductors in position during hotline installation. Universal for all applications from #8-1272 ACSR.



Type WCHAWAS

WEJTAP™ hotstick angle wedge holder adapter attaches wedge clamp to universal hotstick for hotline installation with shotgun stick.



Type WSHGB

WEJTAP™ hotstick breech drive. Geared shotgun hotstick adapter easily latches to the breech end of WEJTAP™ installation tool without disassembly for use on energized lines.



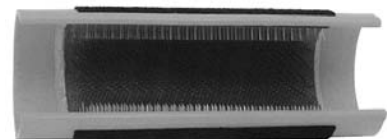
Type WHSSADP

WEJTAP™ hotstick spring loaded 90 degree adapter, used to attach tool to universal hot-stick for hotline installations.



Type WHSTA

WEJTAP™ hotstick tool (actuator) hammer attaches to the universal hotstick for striking the tool actuator button to complete the installation.



Type WHHWB

WEJTAP™ hand-held wire brush for cleaning surface contact areas on non-energized conductors.

**WEJTAP™ KIT
ORDERING
INSTRUCTIONS**



**Type WTCC
(Carrying Case Only)**

WEJTAP™ plastic carrying case. Designed for rugged use in all weather conditions. It accommodates WEJTAP™ installation tool, removal clips, and cleaning kit.



Type WABAG

WEJTAP™ accessories bag is designed for use in carrying installation tool(s), removal clips, and cleaning kit. Hotstick accessories may be accommodated as well. Holders for power boosters are conveniently located on the outside of the bag.

	*Non-Hot Stick Power Unit	Hot Stick Power Unit	Self-Firing Tool	Large Frame (Yellows)	Large Frame Take Off Clip	Small Frame (Red, Blue)	Cleaning Kit	Small Frame Take Off Clip	Molded Carrying Case	Canvas Style Tool Bag
Component Kit Catalog No.	WTBNHS	WTB	WTBGBW	WTHY-1S	WTOCY	WTHRB-1S	WTCK	WTOCBR	WTCC	WABAG
WT2B2RBYWABAG		2		1	1	1	1	1		1
WT2BRBYWABAG		2				1	1	1		1
WTRBYK		1		1	1	1	1	1	1	
WTRBYKNHS	1			1	1	1	1	1	1	
WTYK		1		1	1		1			
WTYKNHS	1			1	1		1			
WTRBK		1				1	1	1	1	
WTRBKNS	1					1	1	1	1	
WT2BRBYK		2		1	1	1	1	1	1	
WT2B2RBYK		2		1	1	2	1	1	1	
WTY		1		1			1			
WTRB		1				1	1			
WTYWABAG		1		1	1		1			1
WTYKNHSBAG	1			1	1		1			1
WTRBWABAG		1				1	1	1		1
WTRBKNSBAG	1					1	1	1		1
WTBGBWRBYK			1	1	1	1	1	1	1	
WTRBYWABAG		1		1	1	1	1	1		1
WTRBYKNHSBAG	1			1	1	1	1	1		1

* Non-Hotstick power units do not contain features allowing activation with Hotsticks. They are not upgradeable.

**Contact your BURNDY® rep resenative for a WEJTAP™ demonstration
or contact the factory at 1-800-346-4175**

WEJTAP™ In-Line Disconnect

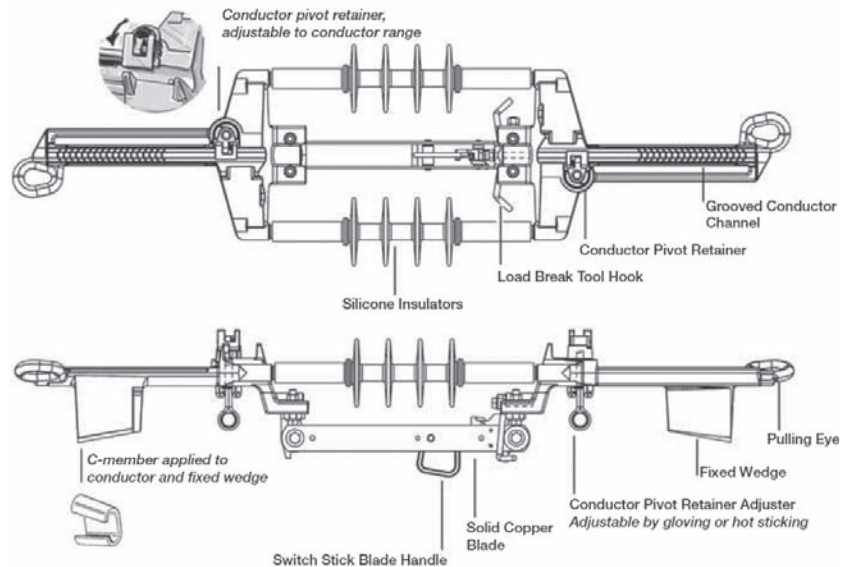
The BURNDY® In-Line Disconnect utilizes proven WEJTAP™ Technology in combination with industry standard components to provide reliable performance of switch applications.

- Utilizes WEJTAP™ connectors for securing the switch to the distribution line in tension applications.
- Utilizes industry recognized and proven GST&D Products, LTD. blade components along with dual Advance Rubber Products, Inc., Insulators attached to a BURNDY® designed yoke plate assembly.
- WEJTAP™ In-Line Disconnect designed for use in gloving and hot stick applications in conjunction with an industry standard load break tool.
- Dual insulators minimize the switch movement during opening and closing of the blade.
- Installation steps are minimized. The switch can be snapped directly on the line and secured with our conductor pivot retainer, designed into the switch frame.
- WEJTAP™ tooling is used to secure the "C Member" to the built-in wedge feature of the frame. Providing reliable mechanical and electrical performance.
- The blade is positioned on the switch to simplify cutting the conductor during installation.
- In-Line Disconnect is removable and reusable.
- Other conductor sizes available. Please contact factory.



Product Specifications

Voltage:	15 kV (110 kV BIL), 29 kV (150 kV BIL), 35 kV (200 kV BIL)
Current:	900 Ampere RMS
Short Circuit:	Momentary Current 40,000 Ampere RMS, Asymmetrical Three Second Current 25,000 Ampere RMS, Symmetrical
Strength:	Body 10,000 lbs. Pulling Eye 6,000 lbs.
Insulators:	Silicone
Meets Industry Standards:	ANSI C119.4, C37.32 IEEE C37.30, C37.34 CSA C83.71 ASTM B117 Salt Fog



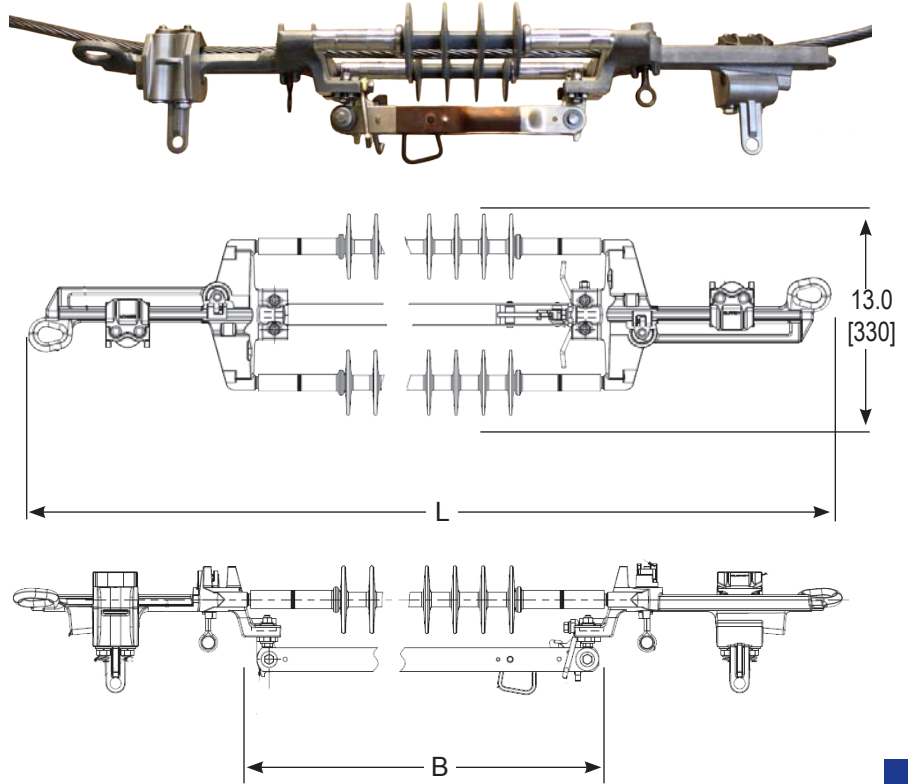
J-16

Catalog Number	KV/BIL Ratings	Conductor Dia. Range	Common Conductors		Replacement Tap
			ACSR	AAC	
WAD10-15	15 kV/110 kV BIL	0.398" - 0.502"	1/0 (6/1), 2/0 (6/1), 3/0 (6/1)	2/0, 3/0	WADRT 1
WAD10-29	29 kV/150 kV BIL				
WAD10-35	35 kV/200 kV BIL				
WAD40-15	15 kV/110 kV BIL	0.522" - 0.609"	4/0 (6/1), 266.8 (18/1)	4/0, 250, 266.8 (7 Str., 19 Str.), 336 compact	WADRT 1
WAD40-29	29 kV/150 kV BIL				
WAD40-35	35 kV/200 kV BIL				
WAD336-15	15 kV/110 kV BIL	0.642" - 0.723"	266.8 (26/7, 30/7), 336.4 (18/1, 26/7)	336, 350, 397.5, 477 compact	WADRT 2
WAD336-29	29 kV/150 kV BIL				
WAD336-35	35 kV/200 kV BIL				
WAD477-15	15 kV/110 kV BIL	0.741" - 0.814"	336.4 (30/7), 397.5 (All Str.), 477 (18/1)	477 (19 Str., 37 Str.), 500 (19 Str., 37 Str.), 556 compact	WADRT 1
WAD477-29	29 kV/150 kV BIL				
WAD477-35	35 kV/200 kV BIL				
WAD556-15	15 kV/110 kV BIL	0.846" - 0.883"	477 (24/7, 26/7, 30/7), 556 (18/1)	556 (19 Str., 37 Str.)	WADRT 2
WAD556-29	29 kV/150 kV BIL				
WAD556-35	35 kV/200 kV BIL				
WAD795-15	15 kV/110 kV BIL	0.953" - 1.040"	556 (26/7, 30/7), 795 (36/1)	795 (37 Str., 61 Str.)	WADRT 3
WAD795-29	29 kV/150 kV BIL				
WAD795-35	35 kV/200 kV BIL				

**WADM Bolted Wedge
In-Line Disconnect Switch**

Combining with the best features of the WEJTAP™ In-Line Disconnect Switch, the WADM Bolted Wedge enhances the range taking capabilities with an innovative hybrid bolted connector while maintaining the time saving features.

1. Bolted hybrid connector combines bolted technology with wedge features to make a reliable connection while taking the guess work of knowing when “tight is tight”.
2. Spring loaded pivot retainer snaps onto the conductor freeing the hands of the installer to quickly and safely complete the installation.
3. Dual insulators minimize the switch rotation during opening and closing, especially in mid-span applications.
4. The switch can be easily removed and reused (reconditioning required).



Product Specifications

Voltage: 15 kV (110 kV BIL)
29 kV (150 kV BIL)
35 kV (200 kV BIL)

Current: 900 Ampere RMS

Strength: Body 10,000 lbs

J-17

Catalog Number	kV / BIL Ratings	Conductor Dia. Range	Conductors		Replacement Connector	Dimensions	
			ACSR	AAC		L (in) [mm]	B (in) [mm]
WADM33615	15 kV / 110 kV BIL	0.398" - 0.72"	1/0 (6/1) to 336.4 (18/1)	2/0 (7) (19) to 350 (19)	WADM336CON	45 [1140]	13.4 [340]
WADM33629	29 kV / 150 kV BIL					49 [1250]	17.9 [455]
WADM33635	35 kV / 200 kV BIL					54 [1370]	22.4 [569]
WADM55615	15 kV / 110 kV BIL	0.721" - 0.927"	336.4 (26/7) to 556.5 (26/7)	397.5 (19) to 556 (19)	WADM556CON	45 [1140]	13.4 [340]
WADM55629	29 kV / 150 kV BIL					49 [1250]	17.9 [455]
WADM55635	35 kV / 200 kV BIL					54 [1370]	22.4 [569]
WADM79515	15 kV / 110 kV BIL	0.927" - 1.040"	556.5 (26/7) to 795 (36/1)	650 (37) to 795 (37)	WADM795CON	45 [1140]	13.4 [340]
WADM79529	29 kV / 150 kV BIL					49 [1250]	17.9 [445]
WADM79535	35 kV / 200 kV BIL					54 [1370]	22.4 [569]

Tightening torque for all sizes is 480 in-lbs; 3/4" wrench

Products for Underground Network and Residential Distribution Systems
TABLE OF CONTENTS

Underground Network Distribution Products

Technical Data:

Underground System Connection and Protection **K-3**

Types of BURNDY® Underground Connectors & Accessories **K-4**

MOLE™



Multiple Outlet Connectors

Technical Data **K-5**

How to order your BURNDY® MOLE™ **K-8**

MOLE™ Types **K-9 to K-31**

MOLE™ Accessories **K-31 to K-36**

HYCRAB™
Technical Data **K-37**

HYCRAB™ and Accessories **K-37, K-38**



Limiters
Technical Data **K-39, K-40**

Limiters and Accessories **K-41 to K-61**

High Capacity Limiter **K-62 to K-63**

Underground Residential Distribution Products

MOLE™

Types RDMD-28G, RDMD2858D, RDMD-28CR **K-64**

Types RDM-28, RDM-28T **K-65**

MOLE™ Tap Kits

Types RA6UC-SL, RA6UCR-SL (URD Street Lighting Tap Kit) **K-65**

Types RYA-UC, RYA-AC, RYA-UCR, RYA-ACR **K-66**

Overhead or Underground Secondary Connectors

Type BSSBC **K-67**

Submersible Secondary Connectors **K-68**

Types BSSBC, BDESS

URD Insulated Splice Kit **K-69**

Type YS-CG

Y-LOK **K-69**

HYREDUCER™ Splices

Type YRB-U **K-70 to K-72**

Type YRB-T **K-73**

Submersible Splice Covers

Types BSSI, BTWTC **K-74**

Service Taps and Terminals

Types K-P-C, YPC-C **K-75**

Types K6B, K33B **K-76**

Types F-A, K6A34U, K-P-UC **K-77**

Power Distribution Blocks

Types BPD, BPD2 **K-78**

Products for Underground Network Distribution Systems

TABLE OF CONTENTS

MOLE™		MOLE™ Sleeves	
		Type CM (NOTAPE™)	K-35
		Type Z-C (Outlet Insulating Sleeve)	K-36
1500 AMP			
Type ZM	K-9		
Type ZMT	K-10	HYCRAB™	
Type ZME	K-11	Type ZM	K-37
Type ZML	K-12	Type YNM	K-38
Type ZMX	K-13		
Type ZMK	K-14	Limiters	
		Type YFS-CR, YFS-CP	K-41
2000-2500 AMP		Type YFS-CPL	K-42
Type ZM	K-15	Type YFSR, YFSP	K-43
Type ZMT	K-16	Type YFSP-L	K-43
Type ZME	K-17	Type YFA-CR, YFA-CP	K-44
Type ZML	K-18	Type YFA-CPL	K-45
Type ZMX	K-19	Types YFAR, YFAP	K-46
Type ZMK	K-20	Type YFAP-L	K-47
		Types YFM-CR, YFM-CP	K-48
3000 AMP		Type YFM-CPL	K-48
Type ZM	K-21	Types YFMR, YFMP	K-49
Type ZMT	K-22	Type YFMP-L	K-49
Type ZME	K-23	Type VYFT	K-50
Type ZML	K-24	Type NYFT	K-50
Type ZMX	K-25	Type LYS	K-51
Type ZMK	K-26	Type LYM	K-52
		Type LF	K-53
MOLE™ Stud Connectors		Type LYBASE	K-54
Type ZMLDN	K-27, K-28	Type LYS34P2	K-54
Type Z2MLDN	K-29	Type LYS-P5	K-55
Type ZMDN	K-30	Type LYM34P3	K-56
Type ZMTDN	K-31	Type LYS-P6	K-56
		Network Protector Fuses	
MOLE™ Outlet Plugs		Type Y, Z	K-57
Type Z-P	K-31		
Socket and Nut Assembly		T-Connector	
Type Z-NR	K-32	Type NYT	K-58
MOLE™ Compression Cone			
Type Z	K-33, K34		
MOLE™ Coupler			
Type ZMS	K-35		

UNDERGROUND SYSTEM CONNECTION AND PROTECTION

Nowhere in the distribution of electrical power are the problems of connecting conductors and equipment against the effects of fault currents as complex as in underground systems. For more than 85 years, BURNDY® engineers have worked closely with utilities to develop devices for connecting and protecting conductors and associated equipment in underground systems. These devices, with their inherent dependability and economy, have contributed to the rapid growth of underground systems throughout the country. To assist utility personnel in more effectively selecting and applying these devices, the engineering talent and experience of BURNDY have been pooled to prepare this technical section, and the catalog information that follows.

These devices are designed for use in both radial and network type underground systems. Radial systems (Fig. 1) distribute power economically except in high load density areas where a high degree of service reliability is required.

Network systems (Fig. 2) have become standard for AC power distribution where load density is high and service continuity must be assured under nearly all conditions. The improved equipment and methods which are described in this catalog have been designed to meet these secondary network system requirements and to reduce the cost of installation and maintenance.

Early Problems in Underground Connections

Despite the many advantages of underground distribution, a major problem was that of making connections in congested manholes or junction boxes. The necessary procedure - soldering conductors, taping joints, and wiping lead covered cable - was so complex, that it demanded considerable skill and was time consuming and costly. This involved procedure had to be repeated each time a service was added to a main. When completed, the multiple-branch joints were excessively bulky and their electrical and mechanical performance suffered from the shortcomings of soldered connections.

The installation of underground distribution made greater strides as those early connection methods gave way to specialized products and techniques developed by BURNDY at the request of, and in close collaboration with, engineers of leading utilities. These specialized connectors were easier and more economical to install, more compact, and more dependable electrically and mechanically.

For installation in conjunction with these connectors, BURNDY also developed products to protect the secondary system from the effects of fault currents. The continuing improvement of these products based on field experience and laboratory research, is contributing to even greater dependability and economy in underground distribution.

Design Objectives in Connectors for Underground

While each of the principal types of equipment described in the following pages has been designed to meet particular service requirements, all have several basic objectives in common:

Reliability: To minimize outages and their serious consequences in the high load density areas serviced by underground systems.

Ease of Installation: Compact for easy installation in the confined space of a manhole and transformer vaults. Mechanical connections that eliminate difficult solder joints.

Economy: By reducing the time and skill required for installation of a dependable, insulated compact connection.

Versatility: For permitting easier changes, expansion, and additional services with a minimum of system shutdown.

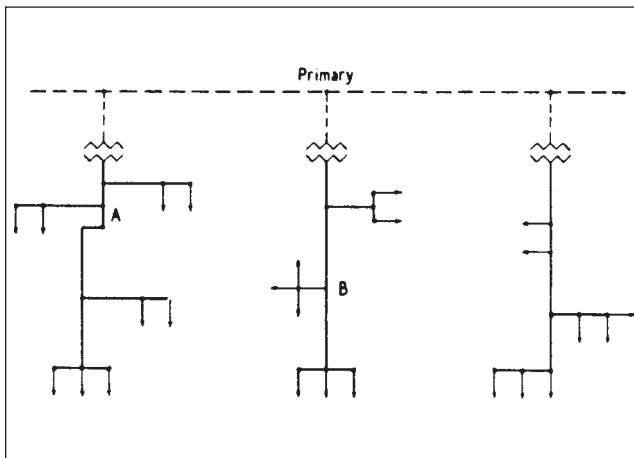


Figure 1: Radial Secondary Distribution System

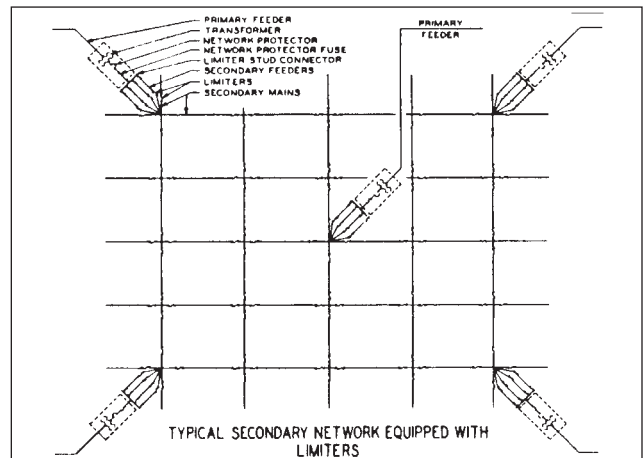


Figure 2: Typical Secondary network Equipped with Limiters

K-3

TYPES OF BURNDY® UNDERGROUND CONNECTORS & ACCESSORIES

The MOLE™ and HYCRAB™

The most popular of the engineered connectors developed specifically for underground manholes and transformer vaults are the MOLE™ and HYCRAB™ that provide for multiple connections at a single junction point of main, feeder, and service cables. Pre-insulated to eliminate extensive taping, these connectors are essentially bus bars with several cable outlets: mechanical installation of the MOLE™, and compression installation in the HYCRAB™.

Limiters and Fuses

To prevent "roasting" of cable insulation, resulting from fault current, BURNDY has developed cable limiters that are inserted in each secondary cable at all junction points. Network protector fuses have been designed to back up the protector breaker in the event of a malfunction during a transformer or primary cable fault. By coordinating the time current characteristics of the fuse with those of the cable limiters, the possibility of limiter blowing on primary faults is eliminated, which in turn reduces the fault finding task. Also, limiter, fuse, and cable insulation characteristics must be carefully coordinated to assure isolating a fault on the secondary before it can cause extensive damage or interrupt service in other sections of the secondary system.

High Capacity Limiter 200,000 Amperes at 600 Volts

The BURNDY® High Capacity Limiter is designed to economically protect electrical distribution systems from the destructive effect of high energy faults. The increasing number of 600 volt secondary network installations for industrial and commercial applications demand a cable limiter that can safely interrupt 200,000 amperes (symmetrical available) and one that will also completely coordinate with the higher voltage network protector fuses.

Available fault currents as high as 200,000 amperes rms at 600 volts across the fusible elements have been interrupted during tests on the

BURNDY® High Capacity Limiter. The power factor during these tests was less than 15%, thereby imposing the most difficult clearing conditions. No external disturbance is experienced upon clearing fault currents from the "float" value to 200,000 amperes. The quartz filler absorbs the intense energy generated by interrupting the fault current. The quartz fuses into tubular fulgurites, with a high dielectric strength, and forms an insulating barrier between the melted link sections. This action prevents restrike of the internal arc. The rugged glass melamine housing provides a vessel that completely contains the developed energy.

This carefully developed time-current characteristics and rigid manufacturing tolerances assure proper coordination with the network protector fuses and the insulation damage characteristics of 4/0, 250, 350, 500, and 750 kcmil cable.

The High Capacity Limiter is available in four variations to accommodate a variety of installation practices. The Type HYS has cable sockets at both ends, which allow for indenting to the cable ends with a hydraulic BURNDY® HYPRESS™. The HYAO type has an offset lug on one end which permits back-to-back mounting on bus bar.

For those installations where the BURNDY® MOLE™ product is used for manhole junctions or transformer vault buses, the Type HYM permits a replaceable connection of the limiter directly to the MOLE outlet at one end and a compression cable connection at the other.

Modern electrical distribution systems require low

cost protection to safeguard costly equipment and quickly isolate faults, so that the undamaged portions of the system may function normally. BURNDY® High Capacity Limiters assure positive, economical protection when installed in properly designed systems.

Compression Connectors

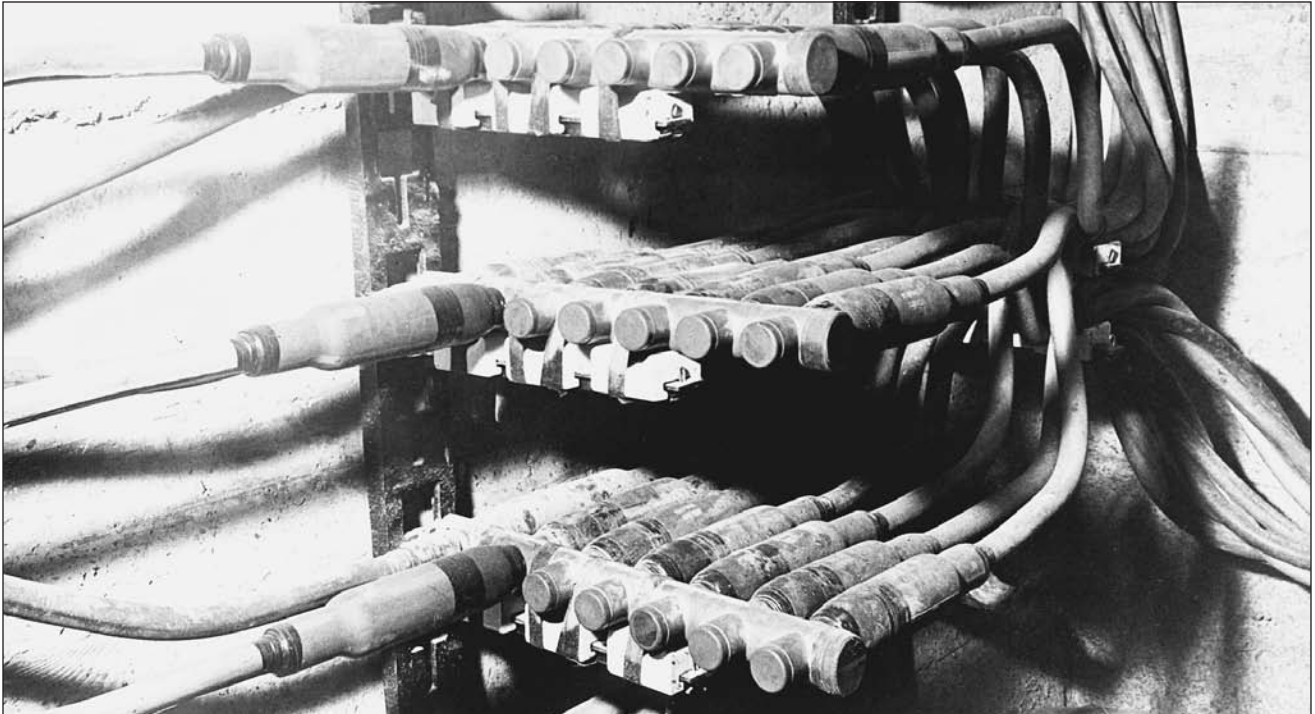
BURNDY® HYDENT™ compression type connectors, and installation tools, have been designed for splicing and terminating copper as well as aluminum underground cables, in both primary and secondary circuits. BURNDY tools and dies are custom designed to produce sound electrical, and mechanical joints on BURNDY connectors. The use of the BURNDY® Engineered System with matched tools, connectors and dies, assures optimum results.

Residential Underground

The trend toward improvement in neighborhood appearances, and the elimination of storm outages, tree trimming, etc. has created the need for residential underground distribution. To meet these needs, BURNDY offers: Mechanical type pre-insulated multi-conductor terminal connectors for submersible transformer locations; and compact multiconductor connectors for above ground transformer and enclosures. For service taps, BURNDY offers: Pre-insulated multi-conductor compression and mechanical connectors; and a range taking compression connector for below grade service. Power pedestals for direct burial, above ground application, and conduit systems are offered. Residential Underground Fuse Block assembly with replaceable fuse for each service cable is also available.



MULTIPLE OUTLET CONNECTORS



K-5

Connectors for Aluminum

For systems where aluminum is used, connectors especially designed for aluminum conductors are available in bolted and compression types: HYCRAB™, HYPLUG™, HYREDUCER™, and HYSOCKET. Aluminum conductors can be connected to standard MOLE™ connectors by using HYPLUG™ adapters.

Multiple Outlet Connectors

The increasing use in modern electrical distribution systems of junction points where several relatively large cables must be connected, has brought about the development of BURNDY® MOLE™ line equipment to speed up and simplify the making of such connections. The modern tendency toward network systems not only in underground utility practice but also in industrial wiring, has greatly increased the number of multi-connection joints.

The BURNDY® MOLE™ and HYCRAB™ connectors are insulated bus bars with multiple connector outlets for service cables, secondary mains or equipment leads. In the MOLE™, clamping action secures conductors to the connector; in the HYCRAB™, connections are made by indenting with a compression tool. Both

lines of insulated connectors offer the following basic advantages:

1. **Ease of Economy and Installations:** The ease and reduction of time required to make and insulate dependable multi-connections greatly reduces the cost of installation. The compact design makes maximum use of space and provides for simplified racking.
2. **Versatility for System Modification:** The MOLE™ and HYCRAB™ are designed to accommodate the secondary main and service cables, and permit easy modification or later additions. The numerous available connector configurations permit a wide variety of arrangements of cables and equipment connections. The 600 volt rating of the MOLE™ and HYCRAB™ insulation provides for efficient operation at all standard utilization voltages.
3. **Efficient, Dependable Performance:** The MOLE™ and HYCRAB™ connectors assure permanent, high conductivity connections, good moisture seal, and insulation that resists the severest condition encountered in underground installations.

MOLE™ and HYCRAB™ Insulation

The location in vaults and manholes often exposes these connectors to immersion in water, chemical, and other contaminants, as well as to heat from overload or fault currents. The MOLE™ and HYCRAB™ insulations provide electrical, mechanical, and thermal properties essential to assure the service continuity of underground distribution systems.

Recognizing the importance of proper connection insulation, BURNDY established performance specifications exceeding those of 600 volt cable insulation.

MULTIPLE OUTLET CONNECTORS (Continued)

The MOLE™ and MOLE™ Accessories

The BURNDY® MOLE™ is a multi-cable connectors that consists of a pre-insulated copper bus bar with threaded outlets that permit a minimum of two cables to be connected by means of a socket, nut, and cone assembly (Illustration A). The clamping action of the socket, nut, and cone assembly on the cable develops high contact pressures that maintain joint conductivities greater than 100% of the continuous conductor.

The MOLE™ design affords exceptional versatility in four ways:

1. MOLE™ outlets can be plugged-off until needed for the addition of cables.
2. Installed cables can be easily removed.
3. Cable sizes can be increased by changing the socket, nut, and cone assembly.
4. The number of outlets may be increased by joining MOLE™ connectors with a MOLE™ coupler.

Insulation

The copper bus bar insert is encased in a molded insulating jacket that eliminates crotch taping. The thickness of the jacket prevents any possibility of the insert weight to cause the insulation at the supports to flow away at the high temperatures of fault conditions.

Ratings

MOLE™ connectors are rated at 1500, 2000, 2500, and 3000 amperes, based on the maximum current the insert cross-section can carry. Each outlet can carry the full rated current of the cable connected to it.

To avoid exceeding the insert rating, the cables should be arranged in such a manner that most current flows directly across the insert. (See Illustration B.)

Installation

Cables are connected to the MOLE™ by means of a socket, nut and compression cone assembly. The socket is threaded into the MOLE™ insert. The stripped cable end is inserted into nut and compression cone, and then into the socket where it is securely clamped by tightening the nut. The joint is then sealed watertight in one of three ways:

- Taping;
- MOLE™ Outlet Insulating Sleeves, sealed with a minimum of taping;
- NOTAPE™ MOLE™ Sleeve, sealed to the cable and MOLE™ insulation by two non-corrosive hose clamps.

Tests under flooding and other adverse conditions demonstrate that such joints are impervious to water.

Accessories

A socket, cone and nut assembly is screwed into each MOLE™ outlet to which a cable is to be connected. The socket has a tapered recess into which the clamping nut forces the cable into the compression cone. The cone is slotted to controlled widths and depths for maximum flexibility, and its inside surface is serrated for low contact resistance and high pullout strength.

Plug seal MOLE™ outlets not in use. The MOLE™ is delivered with one-fourth of its outlets sealed with plugs. Additional plugs may be ordered.

MOLE™ couplers facilitate system expansion by joining additional MOLE™ connectors to those already installed. Couplers are easily installed in end or side outlets of the MOLE™, and make connections that are effective both electrically and mechanically.



Illustration A

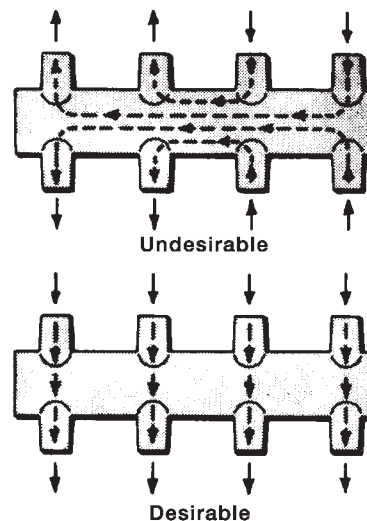


Illustration B

MULTIPLE OUTLET CONNECTORS (Continued)



K-7

HOW TO ORDER YOUR BURNDY® MOLE™

This MOLE™ connector section is arranged so that all the information necessary for ordering standard MOLE™ connections is contained on a single page.

BURNDY® Underground Products
for Network and Residential Distribution

MOLE™ TYPE ZM

1500 AMPERES

MOLE™ DIMENSIONS

Cable Range	No. of Outlets	Catalog Number	Length (inches)	Weight (lbs.)
A	1	ZM1-15	7.125	1.1
B	2	ZM2-15	11.125	1.6
C	3	ZM3-15	15.125	2.1
A	4	ZM4-15	19.125	2.6
B	5	ZM5-15	23.125	3.1
C	6	ZM6-15	27.125	3.6
A	7	ZM7-15	31.125	4.1
B	8	ZM8-15	35.125	4.6
C	9	ZM9-15	39.125	5.1
A	10	ZM10-15	43.125	5.6
B	11	ZM11-15	47.125	6.1
C	12	ZM12-15	51.125	6.6
A	13	ZM13-15	55.125	7.1
B	14	ZM14-15	59.125	7.6
C	15	ZM15-15	63.125	8.1
A	16	ZM16-15	67.125	8.6

Cable Outlet Ranges:

- Symbol "A" = #6 Str. - 600 kcmil; 5/8"
- Symbol "B" = #2 Str. - 1000 kcmil; 7/8"
- Symbol "C" = 500 - 1500 kcmil; 1-1/8"

Cable Outlet Arrangement:

Depending on ampere group, outlets may be all "A" or "B" cable size, or may be combinations of sizes; Outlet #1, "A": all other outlets "B", etc. (See suffix list below.)

Number of Outlets per MOLE™:

From 2 to 16 outlets depending on MOLE™ type (any number can be supplied).

Catalog Numbers, Dimensions, and Weights.

MOLE™ CONNECTORS ARE ORDERED BY THE FOLLOWING PROCEDURE:

- Determine amperage that meets requirements and located it in the MOLE™ ampere page listings.
- Choose MOLE™ configuration desired by Type (ZM, ZME, ZMT, etc.) within ampere group.
- Decide of the number of outlets that meets your requirements.
- Decide on the cable ranges required for each outlet.
- Select cable outlet arrangement for MOLE™ listing: outlet #1, "A": all other "B", etc.

EXAMPLE:

Installation load capacity: 2000 amperes
 Configuration: outlets on two sides and one end
 Cable ranges: end outlet to accommodate a 1000 kcmil cable; other outlets: two 700 kcmil, two 600 kcmil and two 500 kcmil cables

PROCEDURE:

- Locate 2000 through 2500 ampere MOLE™ groups
- MOLE™ Type ZMT has outlets on two sides and one end
- Cable outlet symbol "B" = #2 Str. - 1000 kcmil. MOLE™ outlet arrangement: Outlet #1 = "B", all other outlets = "B".
- Catalog Number ZMT7-25B is the correct number. See other pages for socket and nut assembly, compression cones and insulating sleeves.

Suffix List:

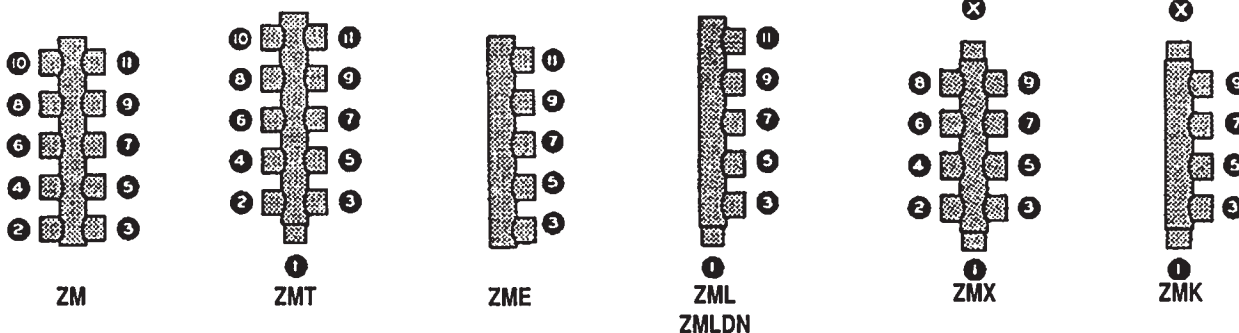
- A3: Outlet #1 = B; all others = A
- A4: Outlet #1 and X = B; all others = A
- A7: Outlet #1 and X = C; all others = A
- A9: Outlet #1 = C; all others = A
- B12: Outlet #1 = A; all others = B
- B72: Outlet #1 and X = C; all others = B
- B92: Outlet #1 = C; all others = B

MOLE™ Connector listings are arranged by:

Amperes: 1500; 2000-2500; 3000

MOLE™ Type: ZM, ZMT, ZME, etc. within each ampere grouping

K-8



MOLE™ TYPE ZM

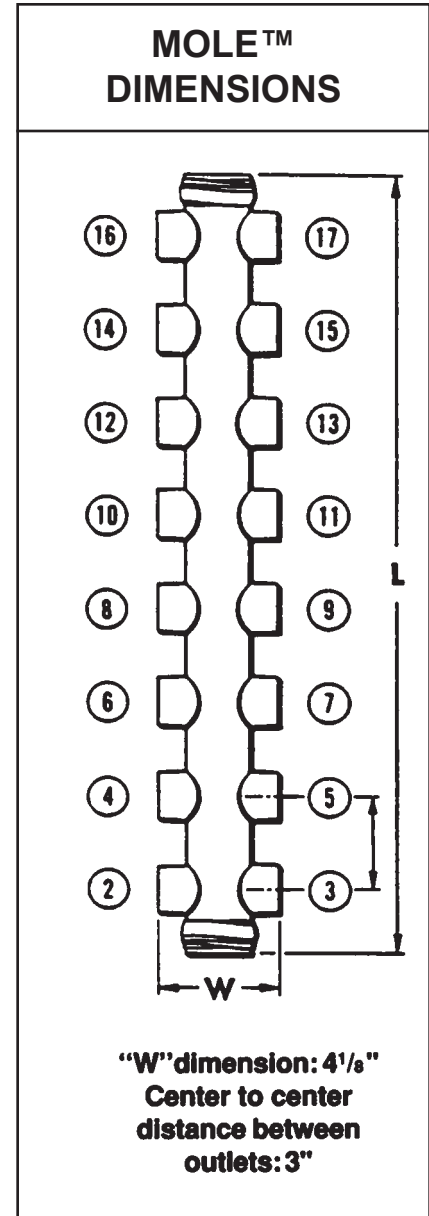
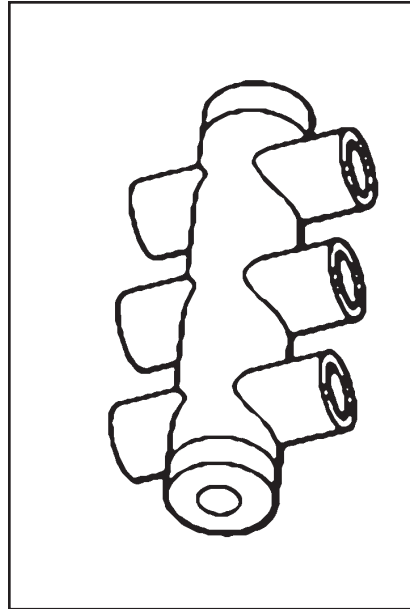
1500 AMPERES

MOLE™ Type ZM — A compact pre-insulated junction for secondary network cables, with multiple outlets for each cable clamping elements.

Outlet Plugs — MOLE™ outlet plugs that facilitate sealing outlets not being used are available, Types Z-P and K-P, sold separately.

Insulating Sleeves — Taping operations for watertight joints are greatly simplified by the use of BURNDY® NOTAPE™ Sleeves Type CM or MOLE™ Insulating Sleeves Type Z-C, sold separately.

Clamping Elements — Outlet Symbols A or B, refer to socket and nut Type Z-NR, and cone Type Z cable clamping elements accommodated. These must be ordered separately.



OUTLET RANGE: “A” 6 Str. - 600 kcmil

Catalog Number	Cable Outlet Arrangement	No. of Outlets	Length Inches L	Approx. Ship Wt. Lbs.
ZM4-15	All Outlets A	4	7-1/8	2.60
ZM6-15		6	10-1/8	4.40
ZM8-15		8	13-1/8	6.20
ZM10-15		10	16-1/8	7.80
ZM12-15		12	19-1/8	9.50
ZM14-15		14	22-1/8	11.00
ZM16-15		16	25-1/8	13.00

For outlet combinations not listed call customer service.

K-9

MOLE™ TYPE ZMT

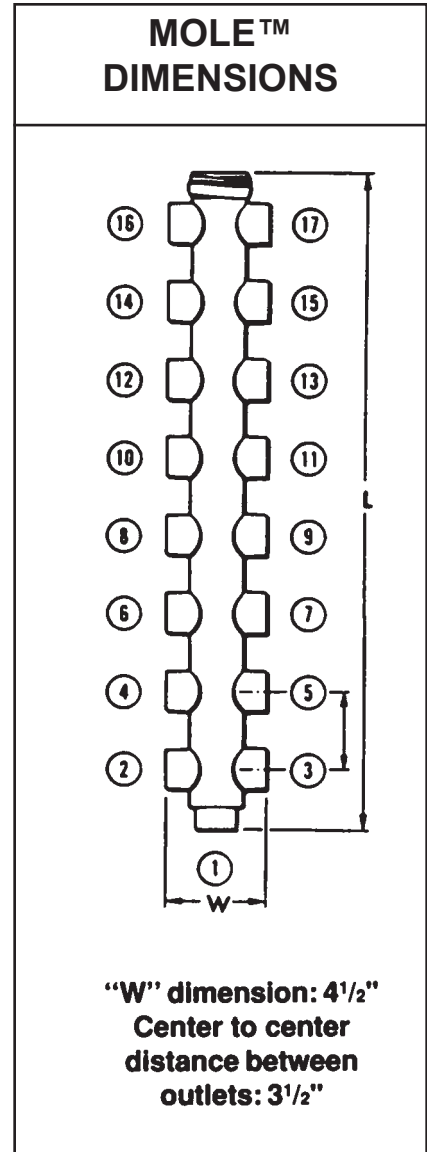
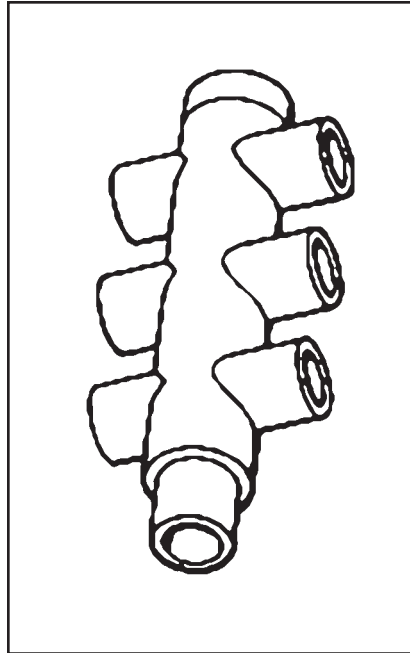
1500 AMPERES

MOLE™ Type ZMT— A compact pre-insulated junction for secondary network cables, with multiple outlets for cable clamping elements. Future expansion is provided for by an end outlet which can be joined to an additional MOLE™ by Type ZMS couplers.

Outlet Plugs — Mole outlet plugs that facilitate sealing outlets not being used are available separately, Types Z-P and K-P.

Insulating Sleeves — Taping operations for watertight joints are greatly simplified by the use of BURNDY® NOTAPE™ Sleeves Type CM or MOLE™ Insulating Sleeves Type Z-C are available separately.

Clamping Elements — Outlet Symbols A or B, refer to socket and nut Type Z-NR, and cone Type Z cable clamping elements accommodated. These must be ordered separately.



K-10

**OUTLET RANGE: “A” 6 Str. - 600 kcmil
“B” 2 Str. - 1000 kcmil**

Catalog Number	Cable Outlet Arrangement	No. of Outlets	Length Inches L	Approx. Ship Wt. Lbs.
ZMT3-15	All Outlets A	3	5	1.30
ZMT5-15		5	8	3.00
ZMT7-15		7	11	4.50
ZMT9-15		9	14	6.20
ZMT11-15		11	17	7.90
ZMT13-15		13	20	9.70
ZMT15-15		15	23	12.00
ZMT17-15		17	26	13.00
ZMT3-15A3	Outlet #1 B	3	5	1.30
ZMT5-15A3		5	8	3.00
ZMT7-15A3		7	11	4.50
ZMT9-15A3		9	14	6.20
ZMT11-15A3	All Other Outlets A	11	17	7.90
ZMT13-15A3		13	20	9.70
ZMT15-15A3		15	23	12.00
ZMT17-15A3		17	26	13.00

For outlet combinations not listed call customer service.

MOLE™ TYPE ZME

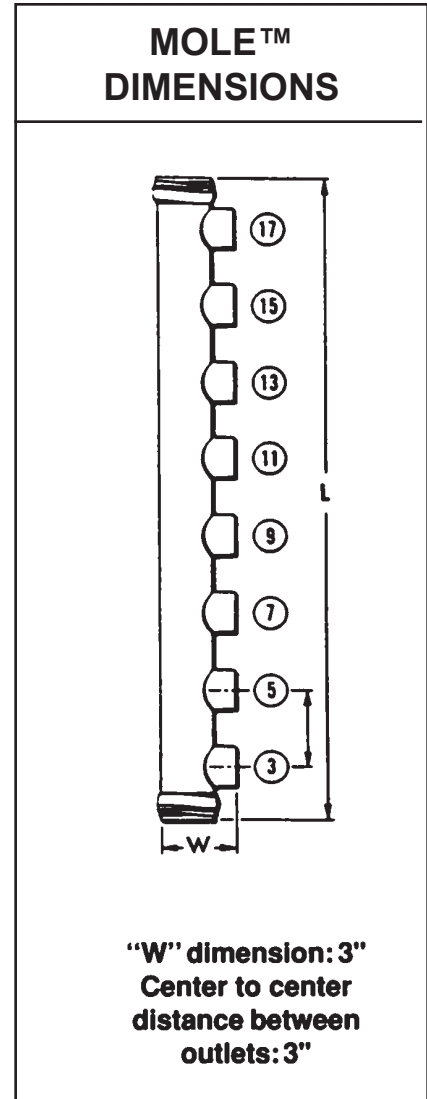
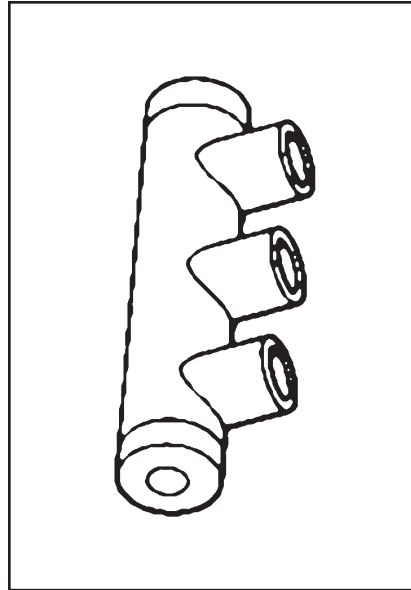
1500 AMPERES

MOLE™ Type ZME — A compact pre-insulated junction for secondary network cables, with multiple outlets for cable clamping elements.

Outlet Plugs — Mole outlet plugs that facilitate sealing outlets not being used are Types Z-P and K-P, sold separately.

Insulating Sleeves — Taping operations for watertight joints are greatly simplified by the use of BURNDY® NOTAPE™ Sleeves Type CM or MOLE™ Insulating Sleeves Type Z-C are sold separately.

Clamping Elements— Outlet Symbols A or B, refer to socket and nut Type Z-NR, and cone Type Z cable clamping elements accommodated. These must be ordered separately.



K-11

OUTLET RANGE: “A” 6 Str. - 600 kcmil

Catalog Number	Cable Outlet Arrangement	No. of Outlets	Length Inches L	Approx. Ship Wt. Lbs.
ZME2-15	All Outlets A	2	7-1/8	2.50
ZME3-15		3	10-1/8	4.40
ZME4-15		4	13-1/8	6.10
ZME5-15		5	16-1/8	7.70
ZME6-15		6	19-1/8	9.40
ZME7-15		7	22-1/8	11.00
ZME8-15		8	25-1/8	13.00

For outlet combinations not listed call customer service.

MOLE™ TYPE ZML

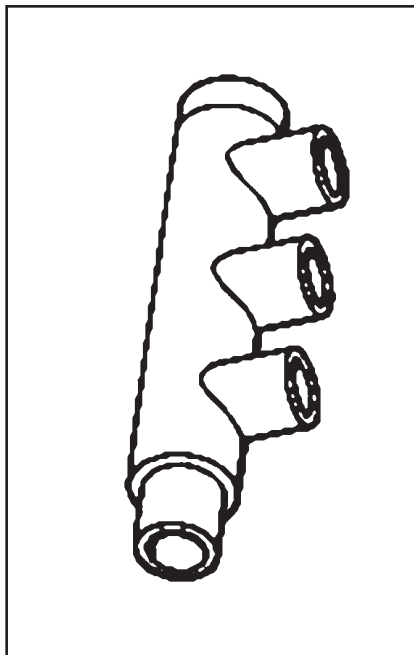
1500 AMPERES

MOLE™ Type ZML — A compact pre-insulated junction for secondary network cables, with multiple outlets for cable clamping elements. Future expansion is provided for by an end outlet which can be joined to an additional MOLE™ by Type ZMS coupler.

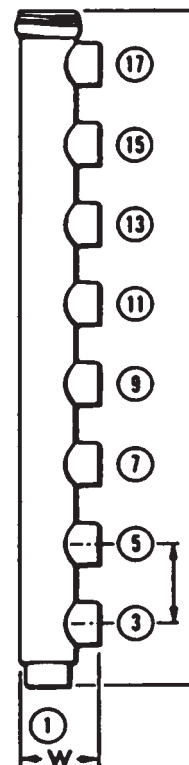
Outlet Plugs — MOLE™ outlet plugs that facilitate sealing outlets not being used are available separately, Types Z-P and K-P.

Insulating Sleeves — Taping operations for watertight joints are greatly simplified by the use of BURNDY® NOTAPE™ Sleeves Type CM or MOLE™ Insulating Sleeves Type Z-C.

Clamping Elements — Outlet Symbols A or B, refer to socket and nut Type Z-NR, and cone Type Z cable clamping elements accommodated. These must be ordered separately.



MOLE™ DIMENSIONS



“W” dimension: 4”
Center to center
distance between
outlets: 3³/₈”

K-12

OUTLET RANGE: “A” 6 Str. - 600 kcmil
 “B” 2 Str. - 1000 kcmil

Catalog Number	Cable Outlet Arrangement	No. of Outlets	Length Inches L	Approx. Ship Wt. Lbs.
ZML2-15	All Outlets A	2	5	1.20
ZML3-15		3	8	3.00
ZML4-15		4	11	4.30
ZML5-15		5	14	5.90
ZML6-15		6	17	7.60
ZML7-15		7	20	9.40
ZML8-15		8	23	11.00
ZML9-15		9	26	13.00
ZML2-15A3		Outlet #1 B	2	5
ZML3-15A3	3		8	3.00
ZML4-15A3	4		11	4.30
ZML5-15A3	All Other Outlets A	5	14	5.90
ZML6-15A3		6	17	7.60
ZML7-15A3		7	20	9.40
ZML0-15A3		8	23	11.00
ZML9-15A3		9	26	13.00

For outlet combinations not listed call customer service.

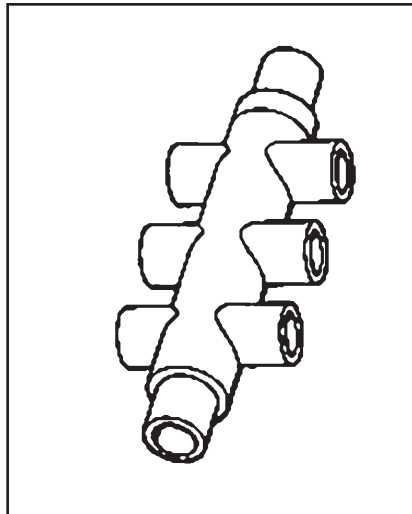
MOLE™ TYPE ZMX

1500 AMPERES

MOLE™ Type ZMX — A compact pre-insulated junction for secondary network cables, with multiple outlets for cable clamping elements. Future expansion is provided for by an end outlet which can be joined to an additional MOLE™ by Type ZMS coupler.

Outlet Plugs — MOLE™ outlet plugs that facilitate sealing outlets not being used are available, Types Z-P and K-P, ordered separately.

Insulating Sleeves — Taping operations for watertight joints are greatly simplified by the use of BURNDY® NOTAPE™ Sleeves Type CM or MOLE™ Insulating Sleeves Type Z-C available separately.

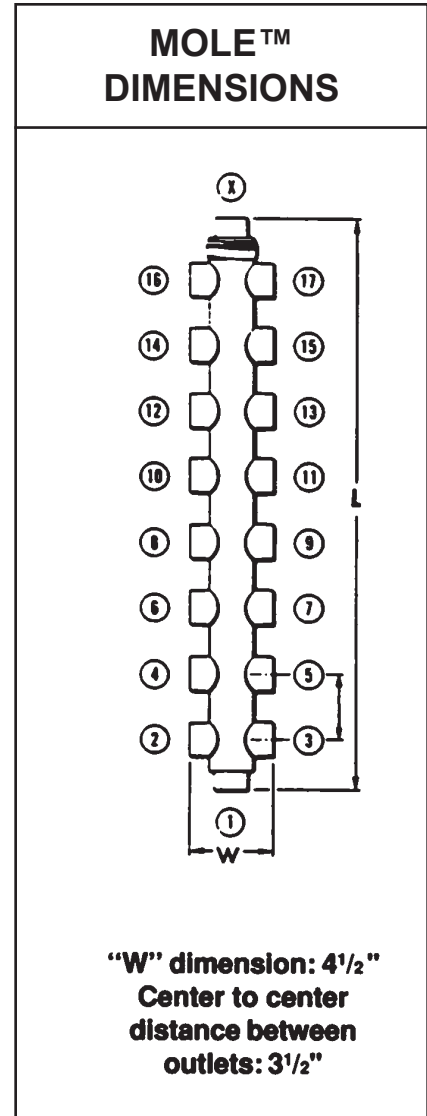


Clamping Elements — Outlet Symbols A or B, refer to socket and nut Type Z-NR, and cone Type Z cable clamping elements accommodated. These must be ordered separately.

OUTLET RANGE: “A” 6 Str. - 600 kcmil
 “B” 2 Str. - 1000 kcmil

Catalog Number	Cable Outlet Arrangement	No. of Outlets	Length Inches L	Approx. Ship Wt. Lbs.	
ZMX4-15	All Outlets A	4	6.00	1.70	
ZMX6-15		6	9.00	3.40	
ZMX8-15		8	12.00	5.20	
ZMX10-15		10	15.00	6.90	
ZMX12-15		12	18.00	8.80	
ZMX14-15		14	21.00	11.00	
ZMX16-15		16	23.97	12.00	
ZMX18-15		18	27.00	14.00	
ZMX4-15A4		Outlets #1 and X B	4	6.09	1.70
ZMX6-15A4	6		9.09	3.40	
ZMX8-15A4	8		12.00	5.20	
ZMX10-15A4	10		15.00	6.90	
ZMX12-15A4	12		18.09	8.80	
ZMX14-15A4	All other Outlets A		14	21.00	11.00
ZMX16-15A4			16	24.09	12.00
ZMX18-15A4			18	27.00	14.00
ZMX4-15A3	Outlets #1 and X B		4	6.03	1.700
ZMX6-15A3		6	9.03	3.40	
ZMX8-15A3		8	12.03	5.20	
ZMX10-15A3		10	15.03	6.90	
ZMX12-15A3		12	18.00	8.80	
ZMX14-15A3		All other Outlets A	14	21.00	11.00
ZMX16-15A3			16	24.00	12.00
ZMX18-15A3			18	27.00	14.00

For outlet combinations not listed call customer service.



K-13

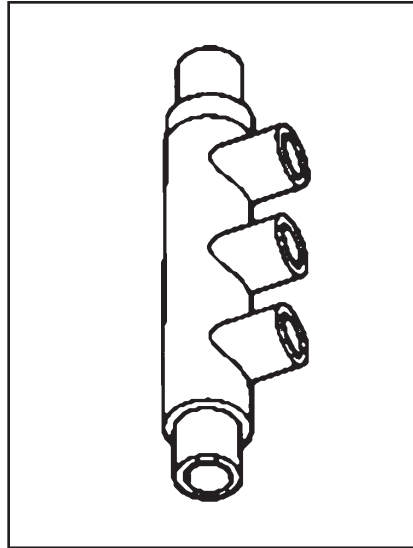
MOLE™ TYPE ZMK

1500 AMPERES

MOLE™ Type ZMK — A compact pre-insulated junction for secondary network cables, with multiple outlets for cable clamping elements. Future expansion is provided for by an end outlet which can be joined to an additional MOLE™ by Type ZMS couplers.

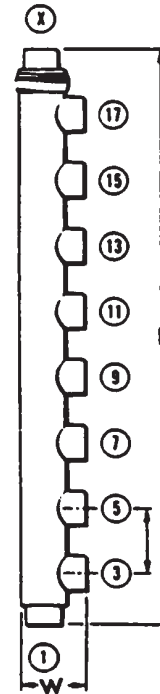
Outlet Plugs — MOLE™ outlet plugs that facilitate sealing outlets not being used are available, Types Z-P and K-P, ordered separately.

Insulating Sleeves — Taping operations for watertight joints are greatly simplified by the use of BURNDY® NOTAPE™ Sleeves Type CM or MOLE™ Insulating Sleeves Type Z-C available separately.



Clamping Elements — Outlet Symbols A or B, refer to socket and nut Type Z-NR, and cone Type Z cable clamping elements accommodated. These must be ordered separately.

MOLE™ DIMENSIONS



“W” dimension: 37/16”
Center to center distance between outlets: 3 1/2”

OUTLET RANGE: **“A” 6 Str. - 600 kcmil**
 “B” 2 Str. - 1000 kcmil

Catalog Number	Cable Outlet Arrangement	No. of Outlets	Length Inches L	Approx Ship Weight	
ZMK4-15	All Outlets A	4	9	3.30	
ZMK5-15		5	12	5.00	
ZMK6-15		6	15	6.80	
ZMK7-15		7	18	8.70	
ZMK8-15		8	21	11.00	
ZMK9-15		9	24	12.00	
ZMK10-15		10	27	14.00	
ZMK4-15A4		Outlets #1 and X B All Other Outlets A	4	9	3.30
ZMK5-15A4			5	12	5.00
ZMK6-15A4			6	15	6.80
ZMK7-15A4	7		18	8.70	
ZMK8-15A4	8		21	11.00	
ZMK9-15A4	9		24	12.00	
ZMK10-15A4	10	27	14.00		
ZMK4-15A3	Outlets #1 or X B All Other Outlets A	4	9	3.30	
ZMK5-15A3		5	12	5.00	
ZMK6-15A3		6	15	6.80	
ZMK7-15A3		7	18	8.70	
ZMK8-15A3		8	21	11.00	
ZMK9-15A3		9	24	12.00	
ZMK10-15A3		10	27	14.00	

For outlet combinations not listed call customer service.

K-14

MOLE™ TYPE ZM

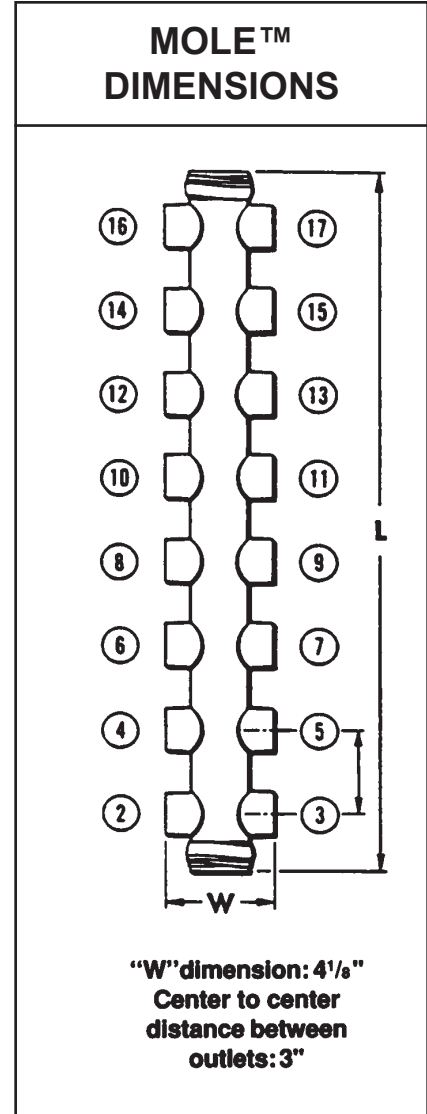
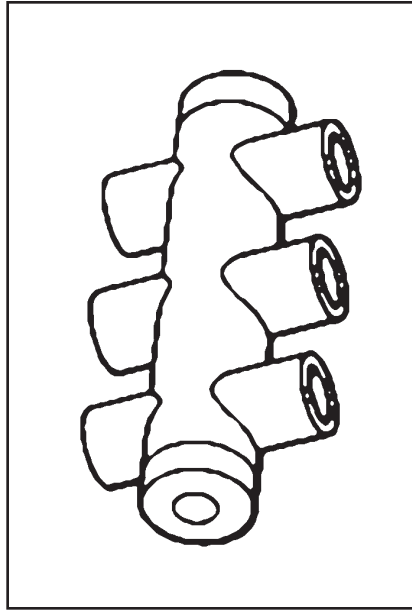
2000-2500 AMPERES

MOLE™ Type ZM — A compact pre-insulated junction for secondary network cables, with multiple outlets for cable clamping elements.

Outlet Plugs — MOLE™ outlet plugs that facilitate sealing outlets not being used are available, Types Z-P and K-P, ordered separately.

Insulating Sleeves — Taping operations for watertight joints are greatly simplified by the use of BURNDY® NOTAPE™ Sleeves Type CM or MOLE™ Insulating Sleeves Type Z-C available separately.

Clamping Elements — Outlet Symbols A or B, refer to socket and nut Type Z-NR, and cone Type Z cable clamping elements accommodated. These must be ordered separately.



OUTLET RANGE: "A" 6 Str. - 600 kcmil
"B" 2 Str. - 1000 kcmil

Catalog Number	Cable Outlet Arrangement	No. of Outlets	Length Inches L	Approx. Ship Wt. Lbs.
ZM4-25	All Outlets A	4	8	4.40
ZM6-25		6	11-1/2	7.00
ZM8-25		8	15	9.70
ZM10-25		10	18-1/2	13.00
ZM12-25		12	22	14.00
ZM14-25		14	25-1/2	15.00
ZM16-25		16	29	18.00
ZM4-25B	All Outlets B	4	8	4.40
ZM6-25B		6	11-1/2	7.00
ZM8-25B		8	15	9.70
ZM10-25B		10	18-1/2	13.00
ZM12-25B		12	22	14.00
ZM14-25B		14	25-1/2	15.00
ZM16-25B		16	29	18.00

For outlet combinations not listed call customer service.

K-15

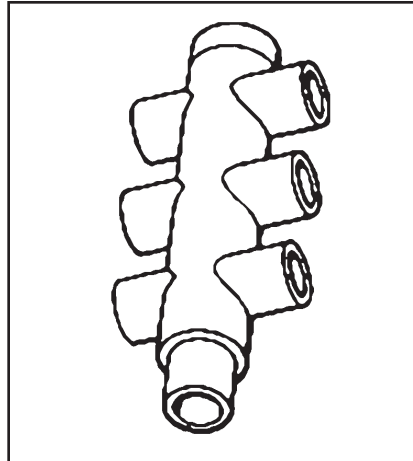
MOLE™ TYPE ZMT

2000-2500 AMPERES

MOLE™ Type ZMT — A compact pre-insulated junction for secondary network cables, with multiple outlets for cable clamping elements. Future expansion is provided for by an end outlet which can be joined to an additional MOLE™ by Type ZMS couplers.

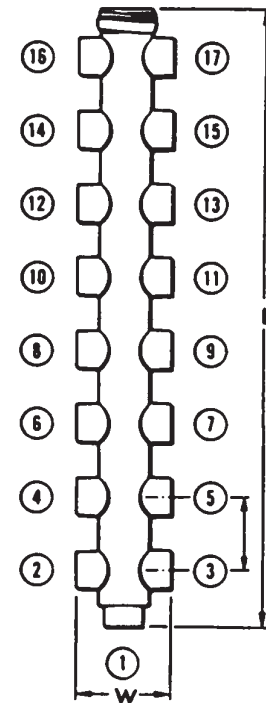
Outlet Plugs — Mole outlet plugs that facilitate sealing outlets not being used are available separately, Types Z-P and K-P.

Insulating Sleeves — Taping operations for watertight joints are greatly simplified by the use of BURNDY® NOTAPE™ Sleeves Type CM or MOLE™ Insulating Sleeves Type Z-C are sold separately.



Clamping Elements — Outlet Symbols A or B, refer to socket and nut Type Z-NR, and cone Type Z cable clamping elements accommodated. These must be ordered separately.

MOLE™ DIMENSIONS



“W” dimension: 4 1/2”
Center to center distance between outlets: 3 1/2”

OUTLET RANGE: “A” 6 Str. - 600 kcmil
 “B” 2 Str. - 1000 kcmil

Catalog Number	Cable Outlet Arrangement	No. of Outlets	Length Inches L	Approx. Ship Wt. Lbs.
ZMT3-25	All Outlets A	3	5-1/2	1.90
ZMT5-25		5	9	5.80
ZMT7-25		7	12-1/2	8.00
ZMT9-25		9	16	12.00
ZMT11-25		11	19-1/2	14.00
ZMT13-25		13	23	17.00
ZMT15-25		15	26-1/2	18.00
ZMT17-25		17	30	19.00
ZMT3-25A3	Outlet #1 B	3	5-1/2	1.90
ZMT5-25A3		5	9	5.80
ZMT7-25A3		7	12-1/2	8.00
ZMT9-25A3	All Other Outlets A	9	16	12.00
ZMT11-25A3		11	19-1/2	14.00
ZMT13-25A3		13	23	17.00
ZMT15-25A3		15	26-1/2	18.00
ZMT17-25A3		17	30	19.00
ZMT3-25B12	Outlet #1 A	3	5-1/2	1.90
ZMT5-25B12		5	9	5.80
ZMT7-25B12		7	12-1/2	8.00
ZMT9-25B12	All Other Outlets B	9	16	12.00
ZMT11-25B12		11	19-1/2	14.00
ZMT13-25B12		13	23	17.00
ZMT15-25B12		15	26-1/2	18.00
ZMT17-25B12		17	30	19.00
ZMT3-25B	All Outlets B	3	5-1/2	1.90
ZMT5-25B		5	9	5.80
ZMT7-25B		7	12-1/2	8.00
ZMT9-25B		9	16	12.00
ZMT11-25B		11	19-1/2	14.00
ZMT13-25B		13	23	17.00
ZMT15-25B		15	26-1/2	18.00
ZMT17-25B		17	30	19.00

For outlet combinations not listed call customer service.

MOLE™ TYPE ZME

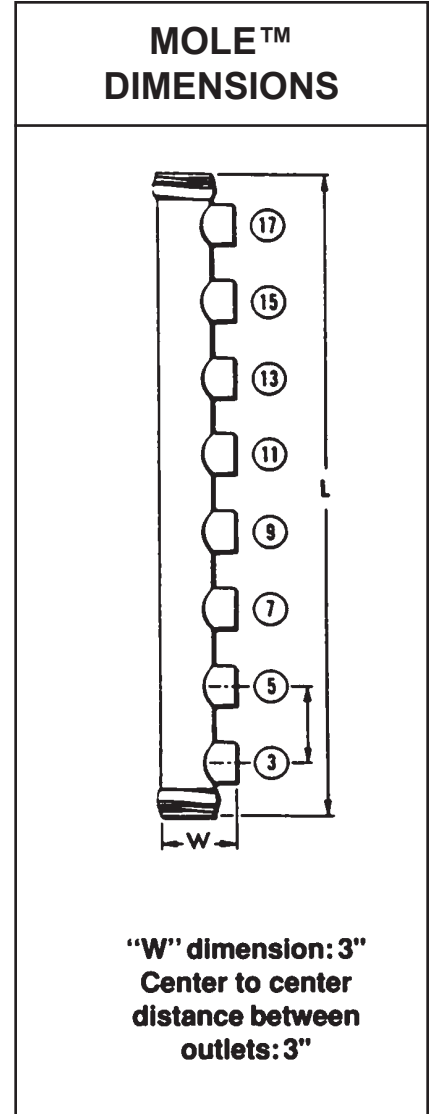
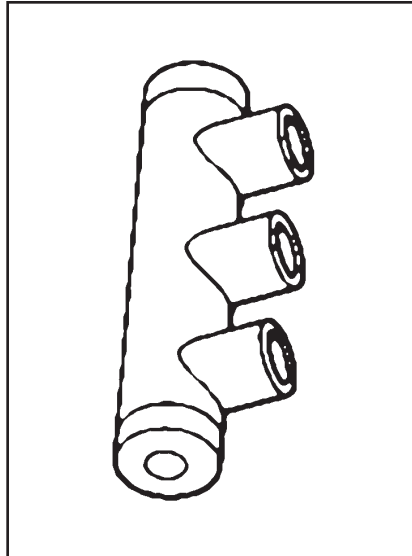
2000-2500 AMPERES

MOLE™ Type ZME — A compact pre-insulated junction for secondary network cables, with multiple outlets for cable clamping elements.

Outlet Plugs — Mole outlet plugs that facilitate sealing outlets not being used are available separately, Types Z-P and K-P.

Insulating Sleeves — Taping operations for watertight joints are greatly simplified by the use of BURNDY® NOTAPE™ Sleeves Type CM or MOLE™ Insulating Sleeves Type Z-C, sold separately.

Clamping Elements — Outlet Symbols A or B, refer to socket and nut Type Z-NR, and cone Type Z cable clamping elements accommodated. These must be ordered separately.



OUTLET RANGE: **“A” 6 Str. - 600 kcmil**
 “B” 2 Str. - 1000 kcmil

Catalog Number	Cable Outlet Arrangement	No. of Outlets	Length Inches L	Approx. Ship Wt. Lbs.
ZME2-25	All Outlets A	2	8	4.30
ZME3-25		3	11-1/2	6.90
ZME4-25		4	15	9.50
ZME5-25		5	18-1/2	12.00
ZME6-25		6	22	14.00
ZME7-25		7	25-1/2	15.00
ZME8-25		8	29	17.00
ZME2-25B	All Outlets B	2	8	4.30
ZME3-25B		3	11-1/2	6.90
ZME4-25B		4	15	9.50
ZME5-25B		5	18-1/2	12.00
ZME6-25B		6	22	14.00
ZME7-25B		7	25-1/2	15.00
ZME8-25B		8	29	17.00

For outlet combinations not listed call customer service.

K-17

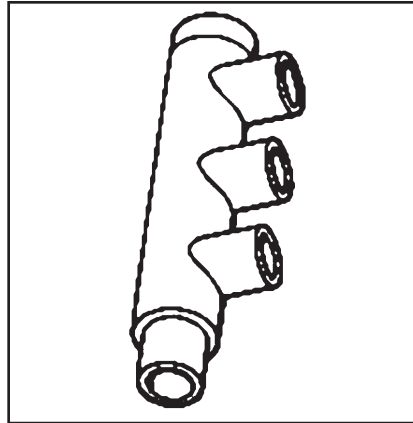
MOLE™ TYPE ZML

2000-2500 AMPERES

MOLE™ Type ZML — A compact pre-insulated junction for secondary network cables, with multiple outlets for cable clamping elements. Future expansion is provided for by an end outlet which can be joined to an additional MOLE™ by Type ZMS coupler.

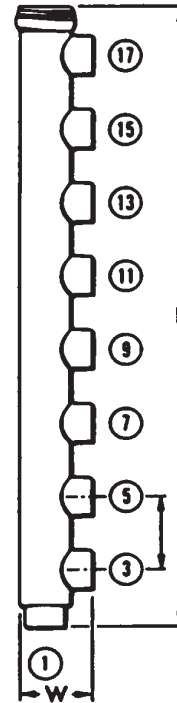
Outlet Plugs — MOLE™ outlet plugs that facilitate sealing outlets not being used are available separately, Types Z-P and K-P.

Insulating Sleeves — Taping operations for watertight joints are greatly simplified by the use of BURNDY® NOTAPE™ Sleeves Type CM or MOLE™ Insulating Sleeves Type Z-C, sold separately.



Clamping Elements — Outlet Symbols A or B, refer to socket and nut Type Z-NR, and cone Type Z cable clamping elements accommodated. These must be ordered separately.

MOLE™ DIMENSIONS



“W” dimension: 4”
Center to center
distance between
outlets: 3 3/8”

OUTLET RANGE: “A” 6 Str. - 600 kcmil
 “B” 2 Str. - 1000 kcmil

Catalog Number	Cable Outlet Arrangement	No. of Outlets	Length Inches L	Approx Ship Wt. Lbs.
ZML2-25	All Outlets A	2	5-1/2	1.80
ZML3-25		3	9	5.80
ZML4-25		4	12-1/2	7.90
ZML5-25		5	16	12.00
ZML6-25		6	19-1/2	14.00
ZML7-25		7	23	16.00
ZML8-25		8	26-1/2	17.00
ZML9-25		9	30	19.00
ZML2-25A3		Outlet #1 B	2	5-1/2
ZML3-25A3	3		9	5.80
ZML4-25A3	4		12-1/2	7.90
ZML5-25A3	All Other Outlets A	5	16	12.00
ZML6-25A3		6	19-1/2	14.00
ZML7-25A3		7	23	16.00
ZML8-25A3		8	26-1/2	17.00
ZML9-25A3		9	30	19.00
ZML2-25B12	Outlet #1 A	2	5-1/2	1.80
ZML3-25B12		3	9	5.80
ZML4-25B12		4	12-1/2	7.90
ZML5-25B12	All Others Outlets B	5	16	12.00
ZML6-25B12		6	19-1/2	14.00
ZML7-25B12		7	23	16.00
ZML8-25B12		8	26-1/2	17.00
ZML9-25B12		9	30	19.00
ZML2-25B	All Outlets B	2	5-1/2	1.80
ZML3-25B		3	9	5.80
ZML4-25B		4	12-1/2	7.90
ZML5-25B		5	16	12.00
ZML6-25B		6	19-1/2	14.00
ZML7-25B		7	23	16.00
ZML8-25B		8	26-1/2	17.00
ZML9-25B		9	30	19.00

For outlet combinations not listed call customer service.

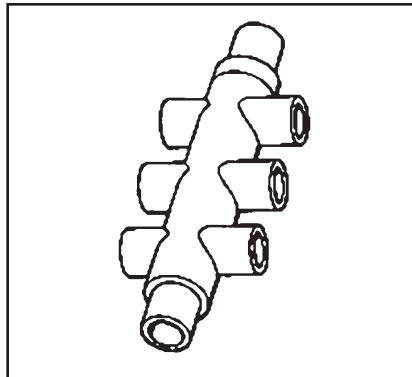
MOLE™ TYPE ZMX

2000-2500 AMPERES

MOLE™ Type ZMX — A compact pre-insulated junction for secondary network cables, with multiple outlets for cable clamping elements. Future expansion is provided for by an end outlet which can be joined to an additional MOLE™ by Type ZMS coupler.

Outlet Plugs — MOLE™ outlet plugs that facilitate sealing outlets not being used are available separately, Types Z-P and K-P.

Insulating Sleeves — Taping operations for watertight joints are greatly simplified by the use of BURNDY® NOTAPE™ Sleeves Type CM



or MOLE™ Insulating Sleeves Type Z-C, sold separately.

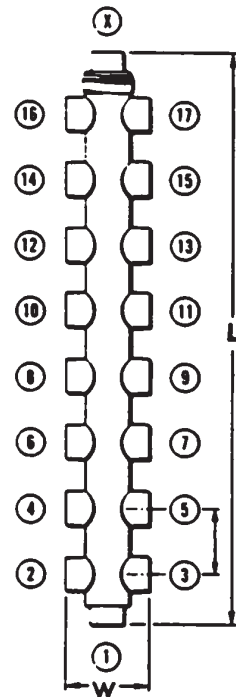
Clamping Elements — Outlet Symbols A or B, refer to socket and nut Type Z-NR, and cone Type Z cable clamping elements accommodated. These must be ordered separately.

OUTLET RANGE: “A” 6 Str. - 600 kcmil
 “B” 2 Str. - 1000 kcmil

Catalog Number	Cable Outlet Arrangement	No. of Outlets	Length Inches L	Approx Ship Wt. Lbs.
ZMX4-25	All Outlets A	4	6-1/2	2.50
ZMX6-25		6	10	6.50
ZMX8-25		8	13-1/2	9.30
ZMX10-25		10	17	12.00
ZMX12-25		12	20-1/2	15.00
ZMX14-25		14	24	17.00
ZMX16-25		16	27-1/2	18.00
ZMX18-25		18	31	19.00
ZMX4-25A4		Outlet #1 and X B	4	6-1/2
ZMX6-25A4	6		10	6.50
ZMX8-25A4	8		13-1/2	9.30
ZMX10-25A4	All Other Outlets A	10	17	12.00
ZMX12-25A4		12	20-1/2	15.00
ZMX14-25A4		14	24	17.00
ZMX16-25A4		16	27-1/2	18.00
ZMX18-25A4		18	31	19.00
ZMX4-25B12		Outlet #1 A	4	6-1/2
ZMX6-25B12	6		10	6.50
ZMX8-25B12	8		13-1/2	9.30
ZMX10-25B12	All Other Outlets B	10	17	12.00
ZMX12-25B12		12	20-1/2	15.00
ZMX14-25B12		14	24	17.00
ZMX16-25B12		16	27-1/2	18.00
ZMX18-25B12		18	31	19.00
ZMX4-25B		All Outlets B	4	6-1/2
ZMX6-25B	6		10	6.50
ZMX8-25B	8		13-1/2	9.30
ZMX10-25B	10		17	12.00
ZMX12-25B	12		20-1/2	15.00
ZMX14-25B	14		24	17.00
ZMX16-25B	16		27-1/2	18.00
ZMX18-25B	18		31	19.00

For outlet combinations not listed call customer service.

MOLE™ DIMENSIONS



“W” dimension: 4 1/2”
Center to center distance between outlets: 3 1/2”

K-19

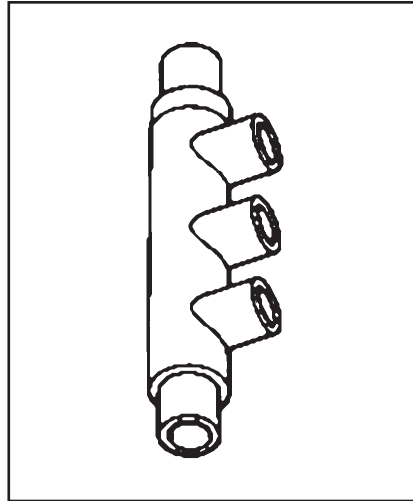
MOLE™ TYPE ZMK

2000-2500 AMPERES

MOLE™ Type ZMK — A compact pre-insulated junction for secondary network cables, with multiple outlets for cable clamping elements. Future expansion is provided for by an end outlet which can be joined to an additional MOLE™ by Type ZMS couplers.

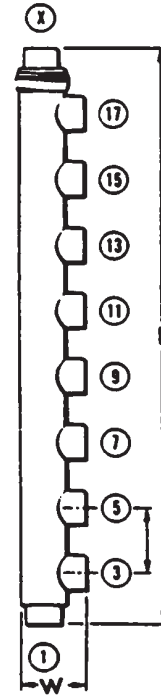
Outlet Plugs — MOLE™ outlet plugs that facilitate sealing outlets not being used are available separately, Types Z-P and K-P.

Insulating Sleeves — Taping operations for watertight joints are greatly simplified by the use of BURNDY® NOTAPE™ Sleeves Type CM or MOLE™ Insulating Sleeves Type Z-C, sold separately.



Clamping Elements — Outlet Symbols A or B, refer to socket and nut Type Z-NR, and cone Type Z cable clamping elements accommodated. These must be ordered separately.

MOLE™ DIMENSIONS



“W” dimension: 37/16”
Center to center
distance between
outlets: 3 1/2”

OUTLET RANGE: “A” 6 Str. - 600 kcmil
 “B” 2 Str. - 1000 kcmil

Catalog Number	Cable Outlet Arrangement	No. of Outlets	Length Inches L	Approx. Ship Wt. Lbs.	
ZMK4-25	All Outlets A	4	10	6.30	
ZMK5-25		5	13-1/2	9.10	
ZMK6-25		6	17	12.00	
ZMK7-25		7	20-1/2	15.00	
ZMK8-25		8	24	17.00	
ZMK9-25		9	27-1/2	18.00	
ZMK10-25		10	31	19.00	
ZMK4-25A4		Outlet #1 and X B	4	10	6.30
ZMK5-25A4			5	13-1/2	9.10
ZMK6-25A4		All Other Outlets A	6	17	12.00
ZMK7-25A4	7		20-1/2	15.00	
ZMK8-25A4	8		24	17.00	
ZMK9-25A4	9		27-1/2	18.00	
ZMK10-25A4	10		31	19.00	
ZMK4-25B12	Outlet #1 A		4	10	6.30
ZMK5-25B12			5	13-1/2	9.10
ZMK6-25B12	All Other Outlets B		6	17	12.00
ZMK7-25B12		7	20-1/2	15.00	
ZMK8-25B12		8	24	17.00	
ZMK9-25B12		9	27-1/2	18.00	
ZMK10-25B12		10	31	19.00	
ZMK4-25B		All Outlets B	4	10	6.30
ZMK5-25B			5	13-1/2	9.10
ZMK6-25B			6	17	12.00
ZMK7-25B	7		20-1/2	15.00	
ZMK8-25B	8		24	17.00	
ZMK9-25B	9		27-1/2	18.00	
ZMK10-25B	10		31	19.00	

For outlet combinations not listed call customer service.

MOLE™ TYPE ZM

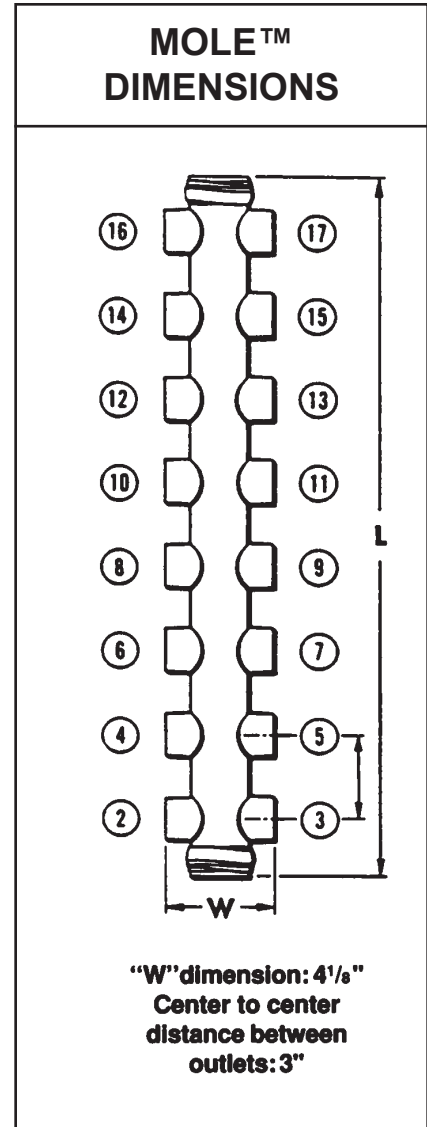
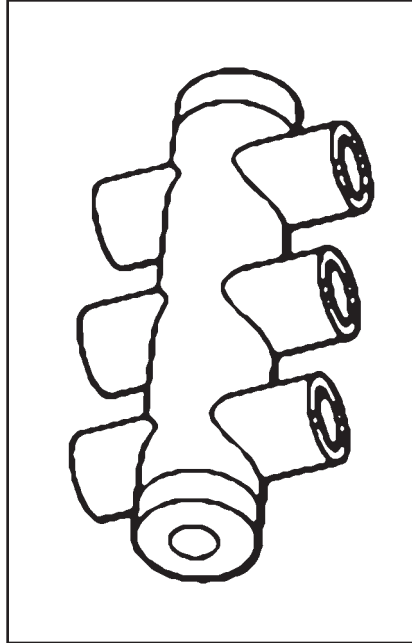
3000 AMPERES

MOLE™ Type ZM — A compact pre-insulated junction for secondary network cables, with multiple outlets for cable clamping elements.

Outlet Plugs — MOLE™ outlet plugs that facilitate sealing outlets not being used are available separately, Types Z-P and K-P.

Insulating Sleeves — Taping operations for watertight joints are greatly simplified by the use of BURNDY® NOTAPE™ Sleeves Type CM or MOLE™ Insulating Sleeves Type Z-C, sold separately.

Clamping Elements — Outlet Symbols A or B, refer to socket and nut Type Z-NR, and cone Type Z cable clamping elements accommodated. These must be ordered separately.



OUTLET RANGE: "A" 6 Str. - 600 kcmil
"B" 2 Str. - 1000 kcmil

Catalog Number	Cable Outlet Arrangement	No. of Outlets	Length Inches L	Approx. Ship Wt. Lbs.
ZM4-30	All Outlets A	4	6-15/16	6.80
ZM6-30		6	10-5/16	11.00
ZM8-30		8	13-11/16	15.00
ZM10-30		10	17-1/16	20.00
ZM12-30		12	20-7/16	24.00
ZM14-30		14	23-13/16	28.00
ZM16-30		16	27-3/16	33.00
ZM4-30B	All Outlets B	4	6-15/16	6.80
ZM6-30B		6	10-5/16	11.00
ZM8-30B		8	13-11/16	15.00
ZM10-30B		10	17-1/16	20.00
ZM12-30B		12	20-7/16	24.00
ZM14-30B		14	23-13/16	28.00
ZM16-30B		16	27-3/16	33.00

For outlet combinations not listed call customer service.

K-21

MOLE™ TYPE ZMT

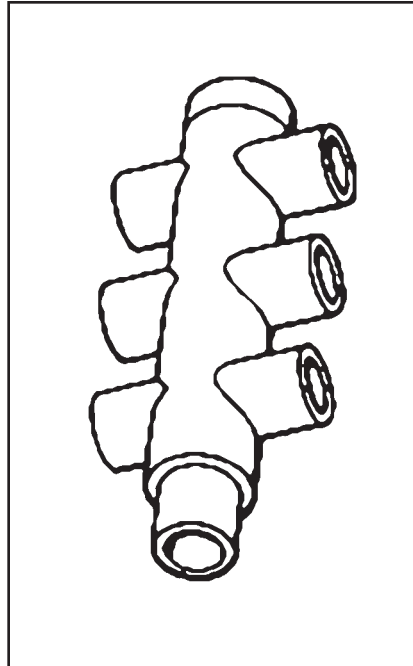
3000 AMPERES

MOLE™ Type ZMT — A compact pre-insulated junction for secondary network cables, with multiple outlets for cable clamping elements. Future expansion is provided for by an end outlet which can be joined to an additional MOLE™ by Type ZMS couplers.

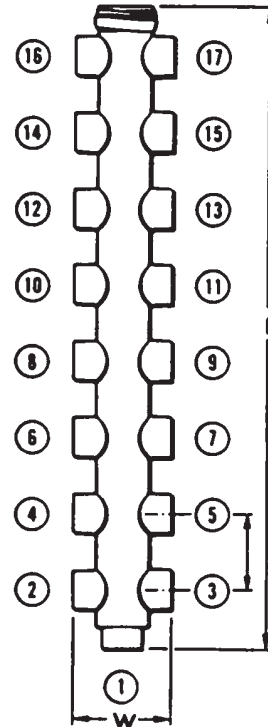
Outlet Plugs — Mole outlet plugs that facilitate sealing outlets not being used are available separately, Types Z-P and K-P.

Insulating Sleeves — Taping operations for watertight joints are greatly simplified by the use of BURNDY® NOTAPE™ Sleeves Type CM or MOLE™ Insulating Sleeves Type Z-C, sold separately.

Clamping Elements — Outlet Symbols A or B, refer to socket and nut Type Z-NR, and cone Type Z cable clamping elements accommodated. These must be ordered separately.



MOLE™ DIMENSIONS



“W” dimension: 4 1/2”
Center to center distance between outlets: 3 1/2”

OUTLET RANGE: “A” 6 Str. - 600 kcmil
 “B” 2 Str. - 1000 kcmil

K-22

Catalog Number	Cable Outlet Arrangement	No. of Outlets	Length Inches L	Approx. Ship Wt. Lbs.
ZMT3-30	All Outlets A	3	5-1/2	2.80
ZMT5-30		5	9-1/8	7.40
ZMT7-30		7	12-1/2	12.00
ZMT11-30		11	19-1/4	21.00
ZMT13-30		13	22-5/8	26.00
ZMT15-30		15	26	30.00
ZMT17-30		17	29-3/8	35.00
ZMT3-30B		All Outlets B	3	5-1/2
ZMT5-30B	5		9-1/8	7.40
ZMT7-30B	7		12-1/2	12.00
ZMT9-30B	9		15-7/8	16.00
ZMT11-30B	11		19-1/4	21.00
ZMT13-30B	13		22-5/8	26.00
ZMT15-30B	15		26	30.00
ZMT17-30B	17		29-3/8	35.00

For outlet combinations not listed call customer service.

MOLE™ TYPE ZME

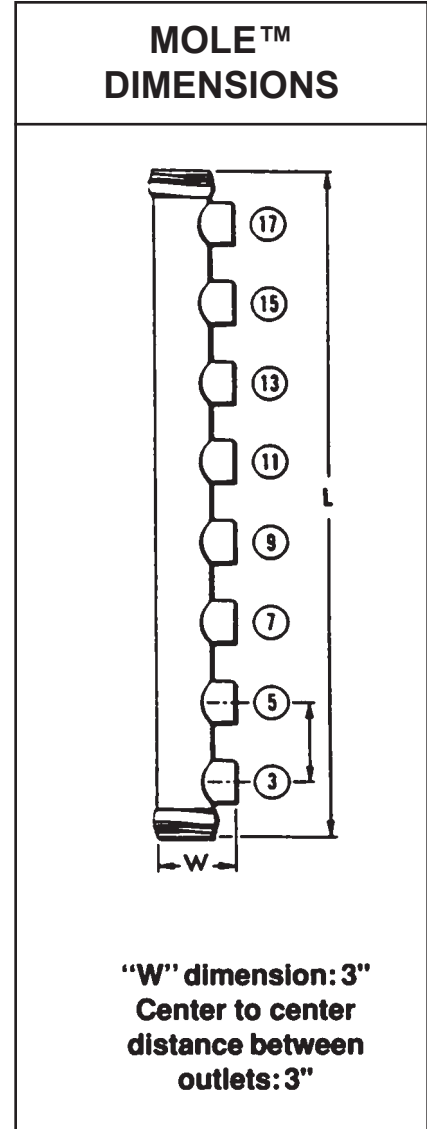
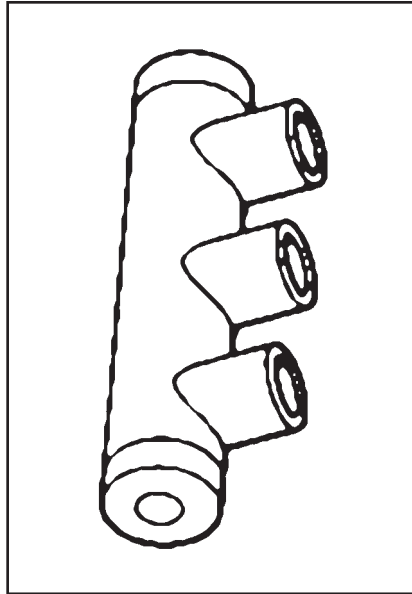
3000 AMPERES

MOLE™ Type ZME — A compact pre-insulated junction for secondary network cables, with multiple outlets for cable clamping elements.

Outlet Plugs — Mole outlet plugs that facilitate sealing outlets not being used are available separately, Types Z-P and K-P.

Insulating Sleeves — Taping operations for watertight joints are greatly simplified by the use of BURNDY® NOTAPE™ Sleeves Type CM or MOLE™ Insulating Sleeves Type Z-C, sold separately.

Clamping Elements — Outlet Symbols A or B, refer to socket and nut Type Z-NR, and cone Type Z cable clamping elements accommodated. These must be ordered separately.



OUTLET RANGE: “A” 6 Str. - 600 kcmil
“B” 2 Str. - 1000 kcmil

Catalog Number	Cable Outlet Arrangement	No. of Outlets	Length Inches L	Approx. Ship Wt. Lbs.
ZME230	All Outlets A	2	6-15/16	6.50
ZME330		3	10-5/16	11.00
ZME430		4	13-11/16	15.00
ZME530		5	17-1/16	19.00
ZME630		6	20-7/16	24.00
ZME730		7	23-13/16	28.00
ZME830		8	27-3/16	32.00
ZME230B		All Outlets B	2	6-15/16
ZME330B	3		10-5/16	11.00
ZME430B	4		13-11/16	15.00
ZME530B	5		17-1/16	19.00
ZME630B	6		20-7/16	24.00
ZME730B	7		23-13/16	28.00
ZME830B	8		27-3/16	32.00

For outlet combinations not listed call customer service.

K-23

MOLE™ TYPE ZML

3000 AMPERES

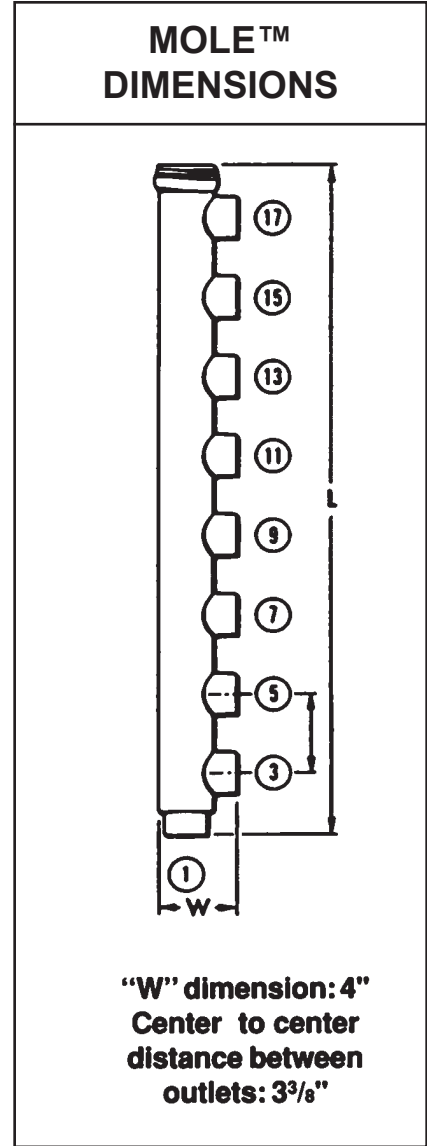
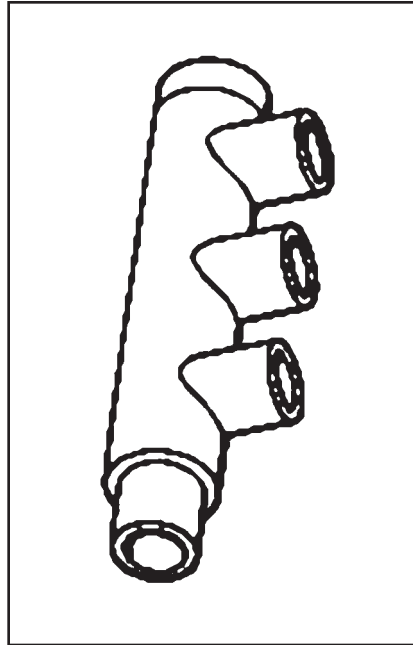
MOLE™ Type ZML — A compact pre-insulated junction for secondary network cables, with multiple outlets for cable clamping elements. Future expansion is provided for by an end outlet which can be joined to an additional MOLE™ by Type ZMS coupler.

Outlet Plugs — MOLE™ outlet plugs that facilitate sealing outlets not being used are available separately, Types Z-P and K-P.

Insulating Sleeves — Taping operations for watertight joints are greatly simplified by the use of BURNDY® NOTAPE™ Sleeves Type CM or MOLE™ Insulating Sleeves Type Z-C, sold separately.

Clamping Elements — Outlet Symbols A or B, refer to socket and nut Type Z-NR, and cone Type Z cable clamping elements accommodated. These must be ordered separately.

OUTLET RANGE: “A” 6 Str. - 600 kcmil
 “B” 2 Str. - 1000 kcmil



K-24

Catalog Number	Cable Outlet Arrangement	No. of Outlets	Length Inches L	Approx. Ship Wt. Lbs.
ZML2-30	All Outlets A	2	5.50	2.70
ZML3-30		3	9.13	7.30
ZML4-30		4	12.50	12.00
ZML5-30		5	15.88	16.00
ZML6-30		6	19.25	21.00
ZML7-30		7	22.63	25.00
ZML8-30		8	26.00	30.00
ZML9-30		9	29.38	35.00
ZML2-30B		All Outlets B	2	5.50
ZML3-30B	3		9.13	7.30
ZML4-30B	4		12.50	12.00
ZML5-30B	5		15.88	16.00
ZML6-30B	6		19.25	21.00
ZML7-30B	7		22.63	25.00
ZML8-30B	8		26.00	30.00
ZML9-30B	9		29.38	35.00

For outlet combinations not listed call customer service.

MOLE™ TYPE ZMX

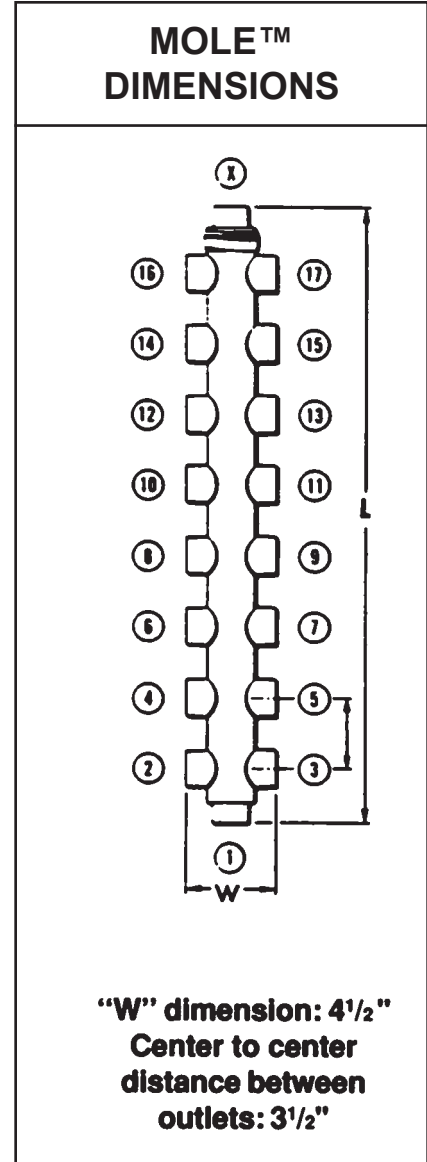
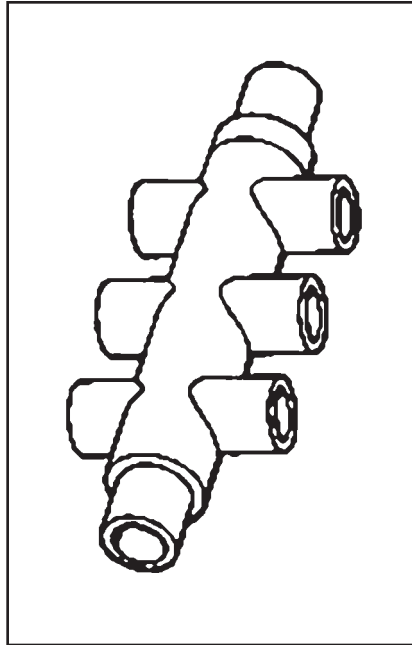
3000 AMPERES

MOLE™ Type ZMX — A compact pre-insulated junction for secondary network cables, with multiple outlets for cable clamping elements. Future expansion is provided for by an end outlet which can be joined to an additional MOLE™ by Type ZMS coupler.

Outlet Plugs — MOLE™ outlet plugs that facilitate sealing outlets not being used are available separately, Types Z-P and K-P.

Insulating Sleeves — Taping operations for watertight joints are greatly simplified by the use of BURNDY® NOTAPE™ Sleeves Type CM or MOLE™ Insulating Sleeves Type Z-C, sold separately.

Clamping Elements — Outlet Symbols A or B, refer to socket and nut Type Z-NR, and cone Type Z cable clamping elements accommodated. These must be ordered separately.



OUTLET RANGE: “A” 6 Str. - 600 kcmil
 “B” 2 Str. - 1000 kcmil

Catalog Number	Cable Outlet Arrangement	No. of Outlets	Length Inches L	Approx. Ship Wt. Lbs.
ZMX4-30	All Outlets A	4	6.50	3.90
ZMX6-30		6	10.13	8.90
ZMX8-30		8	13.50	13.00
ZMX10-30		10	16.88	18.00
ZMX12-30		12	20.25	23.00
ZMX14-30		14	23.64	27.00
ZMX16-30		16	27.02	31.00
ZMX18-30		18	30.40	35.00
ZMX4-30B	All Outlets B	4	6.50	3.90
ZMX6-30B		6	10.13	8.90
ZMX8-30B		8	13.50	13.00
ZMX10-30B		10	16.88	18.00
ZMX14-30B		14	23.64	27.00
ZMX18-30B		18	30.40	35.00

For outlet combinations not listed call customer service.

MOLE™ TYPE ZMK

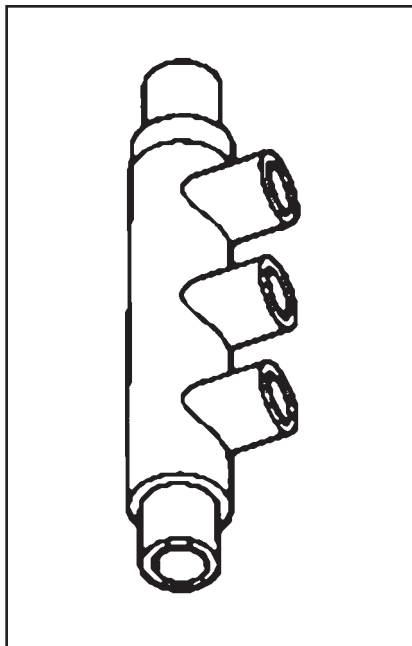
3000 AMPERES

MOLE™ Type ZMK — A compact pre-insulated junction for secondary network cables, with multiple outlets for cable clamping elements. Future expansion is provided for by an end outlet which can be joined to an additional MOLE™ by Type ZMS couplers.

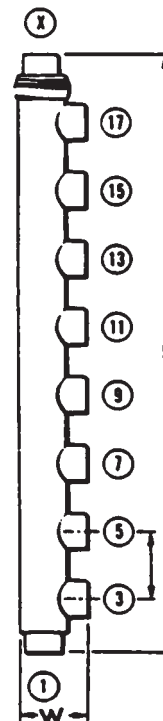
Outlet Plugs — MOLE™ outlet plugs that facilitate sealing outlets not being used are available separately, Types Z-P and K-P.

Insulating Sleeves — Taping operations for watertight joints are greatly simplified by the use of BURNDY® NOTAPE™ Sleeves Type CM or MOLE™ Insulating Sleeves Type Z-C, ordered separately.

Clamping Elements — Outlet Symbols A or B, refer to socket and nut Type Z-NR, and cone Type Z cable clamping elements accommodated. These must be ordered separately.



MOLE™ DIMENSIONS



“W” dimension: 4”
Center to center
distance between
outlets: 3 3/8”

OUTLET RANGE: “A” 6 Str. - 600 kcmil
 “B” 2 Str. - 1000 kcmil

K-26

Catalog Number	Cable Outlet Arrangement	No. of Outlets	Length Inches L	Approx. Ship Wt. Lbs.	
ZMK430	All Outlets A	4	10-1/8	8.80	
ZMK530		5	13-1/2	13.00	
ZMK630		6	16-7/8	18.00	
ZMK730		7	20-1/4	23.00	
ZMK830		8	23-5/8	27.00	
ZMK930		9	27	31.00	
ZMK1030		10	30-3/8	35.00	
ZMK430B		All Outlets B	4	10-1/4	8.80
ZMK530B			5	13-5/8	13.00
ZMK630B			6	17	18.00
ZMK730B	7		20-3/8	23.00	
ZMK830B	8		23-3/4	27.00	
ZMK1030B	10		30-1/2	35.00	

For outlet combinations not listed call customer service.

TYPE ZMLDN

MOLE™ STUD CONNECTOR

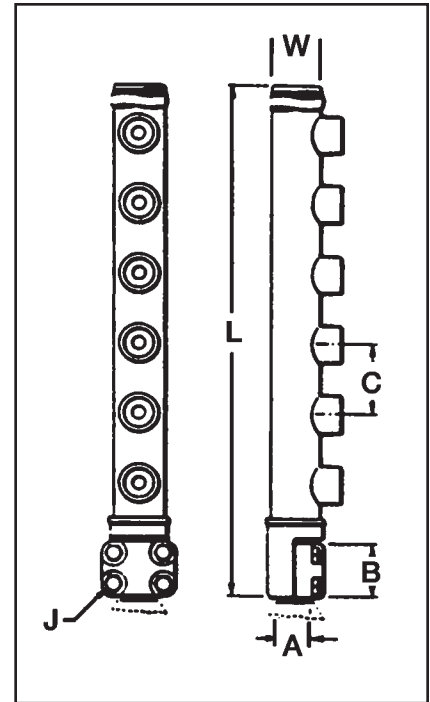
For Connecting Copper Cables to Network Protector

To terminate one or more cables at the studs of distribution transformers, network protectors or other apparatus. The body, except for the stud clamping element is completely insulated. A separate clamping cap over the stud is provided that permits easy removal of the MOLE™ Stud Connector. This permits work to be done on the Network Protector without unduly disturbing the cables.

Outlet Plugs — MOLE™ outlet plugs that facilitate sealing outlets not being used are available separately, Types Z-P and K-P.

Insulating Sleeves — Taping operations for watertight joints are greatly simplified by the use of BURNDY® NOTAPE™ Sleeves Type CM or MOLE™ Insulating Sleeves Type Z-C, ordered separately.

Clamping Elements — Outlet Symbols A or B, refer to socket and nut Type Z-NR, and cone Type Z cable clamping elements accommodated. These must be ordered separately.



OUTLET RANGE: “A” 6 Str. - 600 kcmil
 “B” 2 Str. - 1000 kcmil

Catalog Number	Ampere Capacity	Cable Outlet Arrangement	* No. of Outlets	A		Dimensions in Inches					Approx. Ship Wt. Lbs.	
				Stud Dia.	Threads per Inch	B	C	J	L	W		
ZMLDN1-15	1500	All Outlets A	1	1-1/2	12	2-11/16	—	1/2	7-3/8	3	4.70	
ZMLDN2-15			2	1-1/2	12	2-11/16	3	1/2	10-3/8	3	6.80	
ZMLDN3-15			3	1-1/2	12	2-11/16	3	1/2	13-3/8	3	8.80	
ZMLDN4-15			4	1-1/2	12	2-11/16	3	1/2	16-3/8	3	11.00	
ZMLDN5-15			5	1-1/2	12	2-11/16	3	1/2	19-3/8	3	13.30	
ZMLDN6-15			6	1-1/2	12	2-11/16	3	1/2	22-3/8	3	15.50	
ZMLDN1-20	2000		All Outlets A	1	1-1/2	12	2-11/16	—	1/2	7-7/8	3-7/16	8.50
ZMLDN2-20				2	1-1/2	12	2-11/16	3-1/2	1/2	11-3/8	3-7/16	12.00
ZMLDN3-20				3	1-1/2	12	2-11/16	3-1/2	1/2	14-7/8	3-7/16	14.00
ZMLDN4-20				4	1-1/2	12	2-11/16	3-1/2	1/2	18-3/8	3-7/16	17.00
ZMLDN5-20				5	1-1/2	12	2-11/16	3-1/2	1/2	21-7/8	3-7/16	20.00
ZMLDN6-20				6	1-1/2	12	2-11/16	3-1/2	1/2	25-3/8	3-7/16	23.00
ZMLDN1-20B		All Outlets B	1	1-1/2	12	2-11/16	—	1/2	7-7/8	3-7/16	8.50	
ZMLDN2-20B			2	1-1/2	12	2-11/16	3-1/2	1/2	11-3/8	3-7/16	12.00	
ZMLDN3-20B			3	1-1/2	12	2-11/16	3-1/2	1/2	14-7/8	3-7/16	14.00	
ZMLDN4-20B			4	1-1/2	12	2-11/16	3-1/2	1/2	18-3/8	3-7/16	17.00	
ZMLDN5-20B			5	1-1/2	12	2-11/16	3-1/2	1/2	21-7/8	3-7/16	20.00	
ZMLDN6-20B			6	1-1/2	12	2-11/16	3-1/2	1/2	25-3/8	3-7/16	23.00	

* Can be furnished with more than 6 outlets.

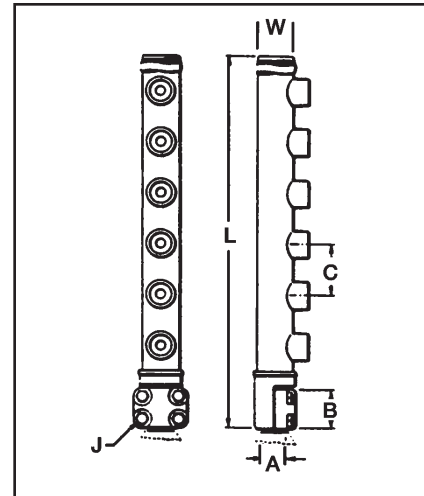
K-27

TYPE ZMLDN

MOLE™ STUD CONNECTOR

(Continued)

OUTLET RANGE: "A" 6 Str. - 600 kcmil
 "B" 2 Str. - 1000 kcmil



K-28

Catalog Number	Ampere Capacity	Cable Outlet Arrangement	* No. of Outlets	A		Dimensions in Inches					Approx. Ship Wt. Lbs.
				Stud Dia.	Threads per Inch	B	C	J	L	W	
ZMLDN1-25	2500	All Outlets A	1	3	12	3-1/4	—	5/8	8-27/32	3-7/16	11.80
ZMLDN2-25			2	3	12	3-1/4	3-1/2	5/8	12-11/32	3-7/16	17.00
ZMLDN3-25			3	3	12	3-1/4	3-1/2	5/8	15-27/32	3-7/16	19.50
ZMLDN4-25			4	3	12	3-1/4	3-1/2	5/8	19-11/32	3-7/16	23.70
ZMLDN5-25			5	3	12	3-1/4	3-1/2	5/8	22-27/32	3-7/16	28.00
ZMLDN6-25			6	3	12	3-1/4	3-1/2	5/8	26-11/32	3-7/16	32.00
ZMLDN1-25B		All Outlets B	1	3	12	3-1/4	—	5/8	8-27/32	3-7/16	11.80
ZMLDN2-25B			2	3	12	3-1/4	3-1/2	5/8	12-11/32	3-7/16	17.00
ZMLDN3-25B			3	3	12	3-1/4	3-1/2	5/8	15-27/32	3-7/16	19.50
ZMLDN4-25B			4	3	12	3-1/4	3-1/2	5/8	19-11/32	3-7/16	23.70
ZMLDN5-25B			5	3	12	3-1/4	3-1/2	5/8	22-27/32	3-7/16	28.00
ZMLDN6-25B			6	3	12	3-1/4	3-1/2	5/8	26-11/32	3-7/16	32.00
ZMLDN1-30	3000	All Outlets A	1	3	12	3-1/4	—	5/8	7-5/8	4	11.50
ZMLDN2-30			2	3	12	3-1/4	3-3/8	5/8	11-1/4	4	16.80
ZMLDN3-30			3	3	12	3-1/4	3-3/8	5/8	14-5/8	4	19.00
ZMLDN4-30			4	3	12	3-1/4	3-3/8	5/8	18	4	23.00
ZMLDN5-30			5	3	12	3-1/4	3-3/8	5/8	21-3/8	4	27.00
ZMLDN6-30			6	3	12	3-1/4	3-3/8	5/8	24-3/4	4	31.00
ZMLDN1-30B		All Outlets B	1	3	12	3-1/4	—	5/8	7-5/8	4	11.50
ZMLDN2-30B			2	3	12	3-1/4	3-3/8	5/8	11-1/4	4	16.80
ZMLDN3-30B			3	3	12	3-1/4	3-3/8	5/8	14-5/8	4	19.00
ZMLDN4-30B			4	3	12	3-1/4	3-3/8	5/8	18	4	23.00
ZMLDN5-30B			5	3	12	3-1/4	3-3/8	5/8	21-3/8	4	27.00
ZMLDN6-30B			6	3	12	3-1/4	3-3/8	5/8	24-3/4	4	31.00

* Can be furnished with more than 6 outlets. For outlet combinations not listed call customer service.

TYPE Z2MLDN

MOLE™ STUD CONNECTOR

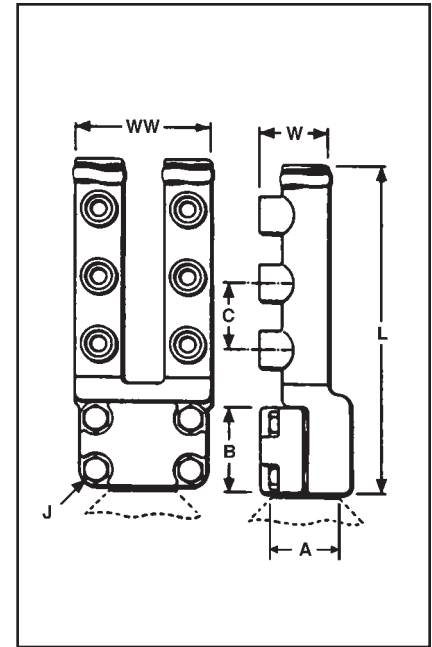
For Connecting Copper Cables to Network Protector

To terminate two or more cables at the studs of distribution transformers, network protectors or other apparatus. The body, except for the stud clamping element is completely insulated. A separate clamping cap over the stud is provided that permits easy removal of the MOLE™ Stud Connector. This permits work to be done on the Network Protector without unduly disturbing the cables.

Outlet Plugs — MOLE™ outlet plugs that facilitate sealing outlets not being used are available separately, Types Z-P and K-P.

Insulating Sleeves — Taping operations for watertight joints are greatly simplified by the use of BURNDY® NOTAPE™ Sleeves Type CM or MOLE™ Insulating Sleeves Type Z-C, ordered separately.

Clamping Elements — Outlet Symbols A or B, refer to socket and nut Type Z-NR, and cone Type Z cable clamping elements accommodated. These must be ordered separately.



OUTLET RANGE: “A” 6 Str. - 600 kcmil
 “B” 2 Str. - 1000 kcmil

Catalog Number	Ampere Capacity	Cable Outlet Arrangement	*No. of Outlets	A		Dimensions in Inches						Approx. Ship Wt. Lbs
				Stud Dia.	Threads per Inch	B	C	J	L	W	WW	
Z2MLDN2-20	2000 & Smaller	All Outlets A	2	1-1/2	12	2-11/16	—	1/2	8	3	5-3/16	5.80
Z2MLDN4-20			4	1-1/2	12	2-11/16	3	1/2	11	3	5-3/16	9.40
Z2MLDN6-20			6	1-1/2	12	2-11/16	3	1/2	14	3	5-3/16	13.20
Z2MLDN2-30	2500 & 3000	All Outlets A	2	3	12	3-1/4	—	5/8	9	3	6-1/2	7.30
Z2MLDN4-30			4	1-1/2	12	3-1/4	3	5/8	12	3	6-1/2	12.50
Z2MLDN6-30			6	3	12	3-1/4	3	5/8	15	3	6-1/2	16.30
Z2MLDN2-30B		All Outlets B	2	3	12	3-1/4	—	5/8	9	3-1/2	6-1/2	11.20
Z2MLDN4-30B			4	3	12	3-1/4	3-1/2	5/8	12-1/2	3-1/2	6-1/2	16.10
Z2MLDN6-30B			6	3	12	3-1/4	3-1/2	5/8	16	3-1/2	6-1/2	21.30

*Can be furnished with more than 6 outlets. For outlet combinations not listed call customer service.

K-29

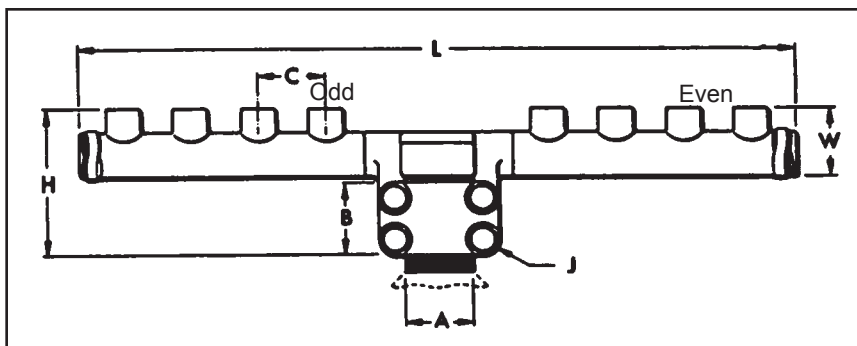
TYPE ZMDN

MOLE™ STUD CONNECTOR

For Connecting Copper Cables to Network Protector

To terminate one or more cables at the studs of distribution transformers, network protectors or other apparatus. The body, except for the stud clamping element is completely insulated. A separate clamping cap over the stud is provided that permit easy removal of the MOLE™ Stud Connector. This permits work to be done on the Network Protector without unduly disturbing the cables.

Outlet Plugs — MOLE™ outlet plugs that facilitate sealing outlets not being used are available separately, Types Z-P and K-P.



Insulating Sleeves — Taping operations for watertight joints are greatly simplified by the use of BURNDY® NOTAPE™ Sleeves Type CM or MOLE™ Insulating Sleeves Type Z-C, ordered separately.

Clamping Elements — Outlet Symbols A or B, refer to socket and nut Type Z-NR, and cone Type Z cable clamping elements accommodated. These must be ordered separately.

OUTLET RANGE: "A" 6 Str. - 600 kcmil
 "B" 2 Str. - 1000 kcmil

K-30

Catalog Number	Ampere Capacity	Cable Outlet Arrangement	*No. of Outlets	A		Dimensions in Inches						Approx. Ship Wt. Lbs.
				Stud Dia.	Threads per Inch	B	C	J	H	L	W	
ZMDN3-20	2000 & Smaller	All Outlets A	3	1-1/2	12	2-11/16	3-1/2	1/2	8-1/16	11-1/2	3-7/16	14.50
ZMDN4-20			4	1-1/2	12	2-11/16	3-1/2	1/2	8-1/16	15	3-7/16	17.50
ZMDN5-20			5	1-1/2	12	2-11/16	3-1/2	1/2	8-1/16	18-1/2	3-7/16	20.50
ZMDN6-20			6	1-1/2	12	2-11/16	3-1/2	1/2	8-1/16	22	3-7/16	23.50
ZMDN3-20B		All Outlets B	3	1-1/2	12	2-11/16	3-1/2	1/2	8-1/16	11-1/2	3-7/16	14.50
ZMDN4-20B			4	1-1/2	12	2-11/16	3-1/2	1/2	8-1/16	15	3-7/16	17.50
ZMDN5-20B			5	1-1/2	12	2-11/16	3-1/2	1/2	8-1/16	18-1/2	3-7/16	20.50
ZMDN6-20B			6	1-1/2	12	2-11/16	3-1/2	1/2	8-1/16	22	3-7/16	23.50
ZMDN3-25	2000 Through 2500	All Outlets A	3	3	12	3-1/4	3-1/2	5/8	8-5/8	11-1/2	3-7/16	26.50
ZMDN4-25			4	3	12	3-1/4	3-1/2	5/8	8-5/8	15	3-7/16	20.50
ZMDN5-25			5	3	12	3-1/4	3-1/2	5/8	8-5/8	18-1/2	3-7/16	23.50
ZMDN6-25			6	3	12	3-1/4	3-1/2	5/8	8-5/8	22	3-7/16	26.50

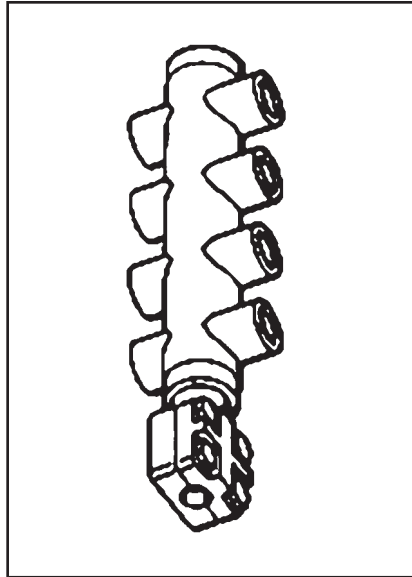
*Can be furnished with more than 6 outlets. For outlet combinations not listed call customer service.
 For connectors with an odd number of outlets the odd and even split of outlets will be as indicated in the diagram.

TYPE ZMTDN

MOLE™ STUD CONNECTOR

For Connecting Copper Cables to Network Protector

To terminate two or more cables at the studs of distribution transformers, network protectors or other apparatus. The body, except for the stud clamping element is completely insulated. A separate clamping cap over the stud is provided that permits easy removal of the MOLE™ Stud Connector. This permits work to be done on the Network Protector without unduly disturbing the cables.



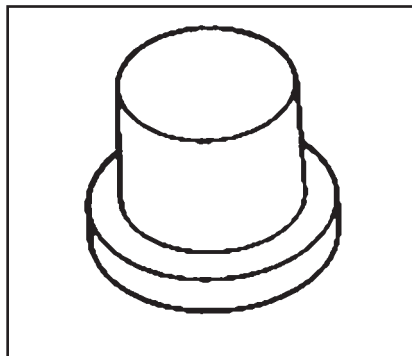
Catalog Number	Ampere Capacity	Number of Outlets	Cable Outlet Arrangement	Stud Dia.
ZMTDN815	1500	8	A	1.50"
ZMTDN1015	1500	10	A	1.50"
ZMTDN820	2000-2500	8	A	1.50"
ZMTDN81025	2000-2500	10	A	1.50"

K-31

TYPE Z-P

MOLE™ OUTLET PLUGS

These plugs facilitate sealing MOLE™ outlets not being used.

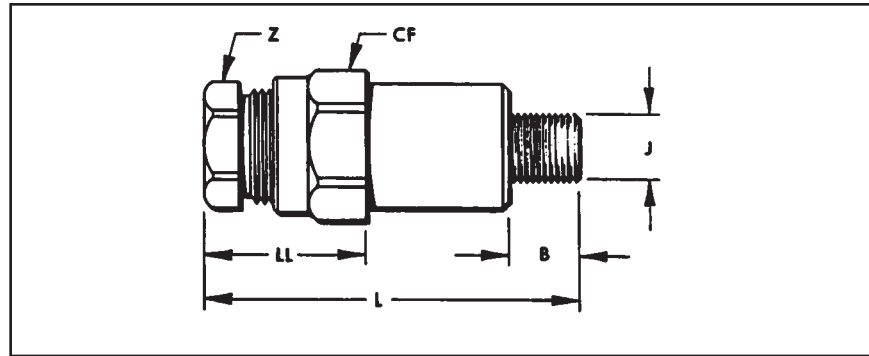


Catalog Number	Used On Outlet Size
Z29P	A
Z34P	B
Z40P	C

TYPE Z-NR

SOCKET AND NUT ASSEMBLY

Designed for use with BURNDY® MOLE. With the use of the proper compression cones, 14 sizes take a range of cables from No. 6 to 1000 kcmil. Their compact design lends them to easy effective taping. Insulating sleeves are available to keep taping to a minimum.



OUTLET RANGE: **“A” 6 Str. - 600 kcmil**
 “B” 2 Str. - 1000 kcmil

Catalog Number	To be Used in MOLE™ Outlet Size	Maximum Cable Accommodated by Socket	Stud Size J	Dimensions in Inches					Approx. Ship Wt. Lbs.
				B	CF (Cross Flats)	L	LL	Z (Cross Flats)	
Z28NR	A	4/0 Str.	5/8-18	17/32	1-1/8	3-7/16	1-1/2	7/8	0.72
Z29NR		250 kcmil	5/8-18	17/32	1-3/16	3-9/16	1-5/8	15/16	0.76
Z30NR		300 kcmil	5/8-18	17/32	1-1/4	3-5/8	1-11/16	1	0.80
Z32NR		400 kcmil	5/8-18	17/32	1-3/8	3-5/8	1-11/16	1-1/8	0.90
Z34NR		500 kcmil	5/8-18	17/32	1-1/2	3-11/16	1-3/4	1-1/4	1.20
Z36NR		600 kcmil	5/8-18	17/32	1-1/2	3-13/16	1-7/8	1-5/16	1.40
Z40NRA ①	B	800 kcmil	5/8-18	17/32	1-13/16	5-17/32	2-1/4	1-1/2	2.40
Z34NRB ②		500 kcmil	7/8-14	11/16	1-1/2	3-11/16	1-3/4	1-1/4	1.50
Z40NR		800 kcmil	7/8-14	11/16	1-13/16	4-3/8	2-1/4	1-1/2	1.90
Z44NR		1000 kcmil	7/8-14	11/16	1-15/16	6-1/16	2-7/16	1-5/8	2.50

① Uses Insulating Sleeve Z104C4434

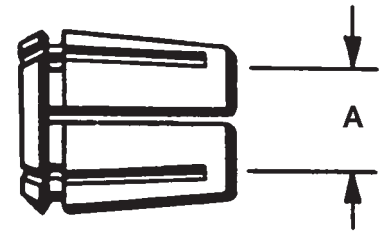
② Uses Insulating Sleeve Z88C3429

TYPE Z

MOLE™ COMPRESSION CONE

For Concentric and Compressed Conductor

For use with Socket and Nut assembly the Z cone is machined to close tolerances to provide maximum secureness in gripping a wide range of cable sizes. Annular grooves in the inner barrel of the cone serve to further accomplish this result.



Catalog Number	Cable Size	For Use with Socket & Nut Assembly	A	Approx Ship Weight in Lbs. Per C	
			Inches		
Z6C28	#6 Str.	Z28NR	0.18 in	8.00	
Z4C28	#4 Str.		0.23 in	7.50	
Z2C28	#2 Str.		0.29 in	7.00	
Z2528	1/0 Str.		0.37 in	6.00	
Z2728	3/0 Str.		0.47 in	4.30	
Z2828	4/0 Str.		0.53 in	3.30	
Z6C29	#6 Str.	Z29NR	0.18 in	9.50	
Z4C29	#4 Str.		0.23 in	9.30	
Z2C29	#2 Str.		0.29 in	8.50	
Z1C29	#1 Str.		0.33 in	8.00	
Z2529	1/0 Str.		0.37 in	7.00	
Z2629	2/0 Str.		0.42 in	6.30	
Z2829	4/0 Str.	Z30NR	0.53 in	3.80	
Z2929	250 kcmil		0.58 in	3.30	
Z6C30	#5 Str.		0.18 in	16.00	
Z4C30	#4 Str.		0.23 in	15.00	
Z2C30	#2 Str.		0.29 in	14.00	
Z1C30	#1 Str.		0.33 in	14.00	
Z2530	1/0 Str.	Z32NR	0.37 in	13.00	
Z2630	2/0 Str.		0.42 in	12.00	
Z2730	3/0 Str.		0.47 in	11.00	
Z2830	4/0 Str.		0.53 in	9.30	
Z2930	250 kcmil		0.58 in	8.00	
Z3030	300 kcmil		0.63 in	6.30	
Z2C32	#2 Str.	Z34NR & Z34NRB	0.29 in	21.00	
Z1C32	#1 Str.		0.33 in	20.00	
Z2532	1/0 Str.		0.37 in	19.00	
Z2632	2/0 Str.		0.42 in	18.00	
Z2732	3/0 Str.		0.47 in	17.00	
Z2832	4/0 Str.		0.53 in	15.00	
Z2932	250 kcmil	Z40NR & Z40NRA	0.58 in	14.00	
Z3032	300 kcmil		0.63 in	12.00	
Z3132	350 kcmil		0.68 in	9.80	
Z3232	400 kcmil		0.73 in	8.00	
Z2C34	#2 Str.		Z44NR	0.29 in	29.00
Z1C34	#1 Str.			0.33 in	28.00
Z2534	1/0 Str.	0.37 in		27.00	
Z2634	2/0 Str.	0.42 in		26.00	
Z2734	3/0 Str.	0.47 in		25.00	

Catalog Number	Cable Size	For Use with Socket & Nut Assembly	A	Approx Ship Weight in Lbs. Per C
			Inches	
Z2834	4/0 Str.	Z34NR & Z34NRB	0.53 in	22.00
Z2934	250 kcmil		0.58 in	21.00
Z3034	300 kcmil		0.63 in	19.00
Z3134	350 kcmil		0.69 in	17.00
Z3234	400 kcmil		0.73 in	15.00
Z3334	450 kcmil		0.76 in	13.00
Z3434	500 kcmil	Z36NR	0.81 in	11.00
Z2936	250 kcmil		0.58 in	32.00
Z3036	300 kcmil		0.63 in	30.00
Z3136	350 kcmil		0.69 in	28.00
Z3236	400 kcmil		0.73 in	26.00
Z3336	450 kcmil		0.76 in	23.00
Z3436	500 kcmil	Z40NR & Z40NRA	0.81 in	21.00
Z3536	550 kcmil		0.86 in	19.00
Z3636	600 kcmil		0.89 in	17.00
Z2940	250 kcmil		0.58 in	49.00
Z3040	300 kcmil		0.63 in	47.00
Z3140	350 kcmil		0.69 in	44.00
Z3240	400 kcmil	Z44NR	0.73 in	41.00
Z3340	450 kcmil		0.76 in	39.00
Z3440	500 kcmil		0.81 in	36.00
Z3540	550 kcmil		0.86 in	33.00
Z3640	600 kcmil		0.89 in	31.00
Z3740	650 kcmil		0.92 in	29.00
Z3840	700 kcmil	Z44NR	0.97 in	25.00
Z3940	750 kcmil		1.00 in	23.00
Z4040	800 kcmil		1.03 in	21.00
Z3444	500 kcmil		0.81 in	55.00
Z3544	550 kcmil		0.86 in	51.00
Z3644	600 kcmil		0.89 in	49.00
Z3744	650 kcmil	Z44NR	0.92 in	47.00
Z3844	700 kcmil		0.97 in	43.00
Z3944	750 kcmil		1.00 in	40.00
Z4044	800 kcmil		1.03 in	38.00
Z4144	850 kcmil		1.06 in	35.00
Z4244	900 kcmil		1.09 in	32.00
Z4344	950 kcmil	Z44NR	1.12 in	28.00
Z4444	1000 kcmil		1.15 in	24.00

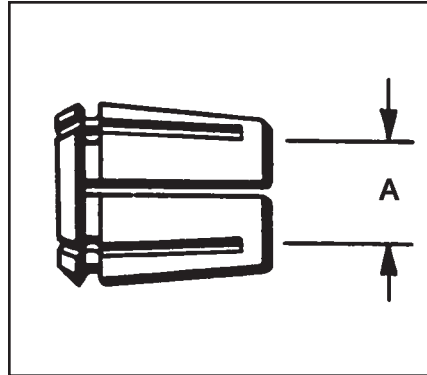
K-33

TYPE Z

MOLE™ COMPRESSION CONE

For Compact Conductor

For use with Socket and Nut assembly the Z cone is machined to close tolerances to provide maximum secureness in gripping a wide range of cable sizes. Annular grooves in the inner barrel of the cone serve to further accomplish this result.



K-34

Compact Stranded Copper Cable			
Type Z Cone	Socket and Nut Assembly	Compact Cable Size	Nominal Conductor Diameter
Z3C28	Z28NR	#2	0.268
Z2C28		#1	0.299
Z1C28		1/0	0.336
Z2528		2/0	0.376
Z2628		3/0	0.423
Z2728		4/0	0.475
Z2C29		Z29NR	#1
Z1C29	1/0		0.336
Z2529	2/0		0.376
Z2629	3/0		0.423
Z2729	4/0		0.475
Z2829	250 kcmil		0.520
Z2929	300 kcmil		0.570
Z1C30	Z30NR	1/0	0.336
Z2530		2/0	0.376
Z2630		3/0	0.423
Z2730		4/0	0.475
Z2830		250 kcmil	0.520
Z2930		300 kcmil	0.570
Z1C32		Z32NR	1/0
Z2532	2/0		0.376
Z2632	3/0		0.423
Z2732	4/0		0.475
Z2832	250 kcmil		0.520
Z2932	300 kcmil		0.570
Z3232	500 kcmil		0.736
Z2534	Z34NR	2/0	0.376
Z2634		3/0	0.423
Z2734		4/0	0.475
Z2834		250 kcmil	0.520
Z2934		300 kcmil	0.570
Z3234		500 kcmil	0.736
Z3334		550 kcmil	0.775
Z3434	600 kcmil	0.813	

Compact Stranded Copper Cable				
Type Z Cone	Socket and Nut Assembly	Compact Cable Size	Nominal Conductor Diameter	
Z2536	Z36NR	2/0	0.376	
Z2636		3/0	0.423	
Z2736		4/0	0.475	
Z2836		250 kcmil	0.520	
Z2936		300 kcmil	0.570	
Z3236		500 kcmil	0.736	
Z3336		550 kcmil	0.775	
Z3436		600 kcmil	0.813	
Z3636		750 kcmil	0.908	
Z2640		Z40NR	3/0	0.423
Z2740	4/0		0.475	
Z2840	250 kcmil		0.520	
Z2940	300 kcmil		0.570	
Z3240	500 kcmil		0.736	
Z3340	550 kcmil		0.775	
Z3440	600 kcmil		0.813	
Z3640	750 kcmil		0.908	
Z2844	Z44NR		250 kcmil	0.520
Z2944			300 kcmil	0.570
Z3244		500 kcmil	0.736	
Z3344		550 kcmil	0.775	
Z3444		600 kcmil	0.813	
Z3644		750 kcmil	0.908	

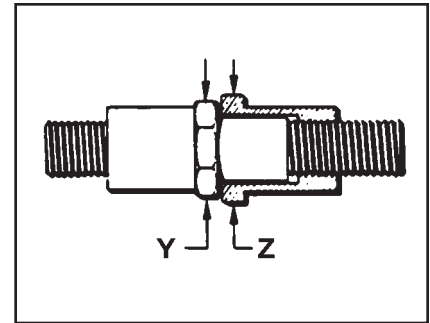
TYPE ZMS

MOLE™ COUPLER

For Connecting MOLE™

A compact, easy-to-tape MOLE™ Coupler for joining multiple MOLE end-to-end. Allows for expansion of underground systems by joining more MOLE to existing MOLE™ installations. Easily assembled to the end outlets of MOLE™ Types ZMT, ZMX, ZML, and ZMK. Can also be used in side outlets for other types of MOLE™

arrangements. The MOLE™ Coupler has a lock-nut feature which permits pre-positioning of the added MOLE™, and facilitates training of new cables. Makes an effective electrical and mechanical connection.



- OUTLET RANGE:**
- “A” (5/8”) 6 Str. - 600 kcmil
 - “B” (7/8”) 2 Str. - 1000 kcmil
 - “C” (1-1/8”) 500 - 1500 kcmil

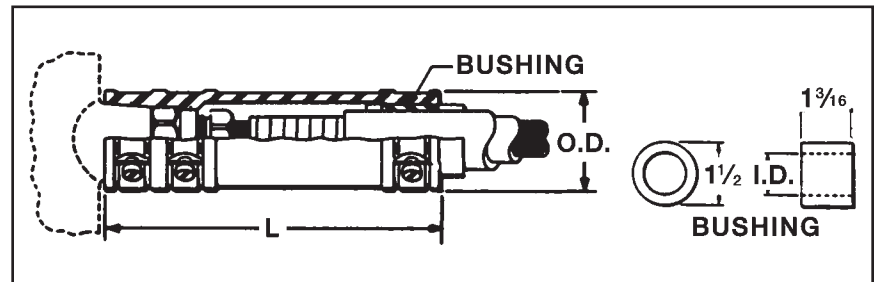
MOLE™ Outlet Size	MOLE™ Coupler	MOLE™ Coupler Ampere Capacity	Dimensions in Inches			Approx. Ship Wt. Lbs.
			Overall Length	Cross Flats		
				Y	Z	
A	ZMS29	1200	4-21/32	1-3/16	1-3/8	1.30
B	ZMS34	1600	5-7/32	1-1/2	1-3/4	2.30
C	ZMS40	2000	5-3/4	1-3/4	2-1/8	3.30

TYPE CM

NOTAPE™ MOLE™ SLEEVE

The BURNDY® NOTAPE™ MOLE™ Sleeve effectively eliminates the necessity of taping from the MOLE™ outlet to the insulation of the incoming cable. The sleeve fits snugly over the MOLE™ outlet and is held securely in place by a non-corrosive clamp. Bushings inside the sleeve are supplied to fit closely over the insulation of the cable. The other end of the assembly is clamped to the cable insulation. For rubber insulated cable two clamps are supplied.

For oil filled cables a third clamp is provided to effect an oil-tight joint.



- OUTLET RANGE:** “A” 6 Str. - 600 kcmil

Sleeve & Clamps							Bushing			
To be Used Over Outlet Size	Type of Cable Insulation	Cable Range Accommodated	Catalog No. Sleeve & Clamps Only	For Use Sockets & Nut Assy	Dimensions in Inches		App. Ship Wt. Ea. in Lbs.	Catalog No. Bushing Only	I.D.	App. Ship Wt. Ea. in Lbs.
					L	O.D.				
A	Rubber or Rubber-Lead	#6 Str. to 600 kcmil	CM29L	Z28NR to Z36NR	6-1/4	2-1/4	1.10	CMB-29R	†	0.20
		#6-4/0 Str.	CM2829P	Z28NR						
	Paper-Lead or Vanished Cambric	#6 AWG-250 kcmil	CM2929P	Z29NR	6-1/4	2-1/4	1.10	CMB-29P	‡	0.20
		#6 AWG-300 kcmil	CM3029P	Z30NR						
		#2 AWG-400 kcmil	CM3229P	Z32NR						
		#2 AWG-500 kcmil	CM3429P	Z34NR						
250-600 kcmil	CM3629P	Z36NR								

† Diameter over rubber insulation or lead sheath to be specified by customer.
 ‡ Diameter over lead sheath to be specified by customer.

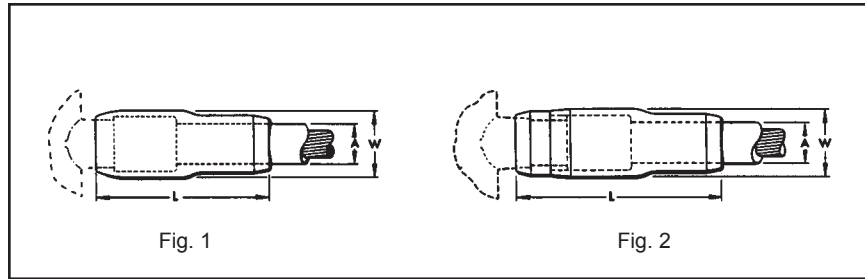
Bushings must be ordered separately. They are not supplied with the sleeve. The bushing inside diameter is sized in 64ths.

K-35

TYPE Z-C

MOLE™ OUTLET INSULATING SLEEVE

An effective aid in insulating MOLE™ outlets to produce a secure watertight joint with a minimum of taping. Fits over the MOLE™ outlet and over the maximum outer diameter of insulated cable. The difference between the I.D. of the standard sleeve and the O.D. of the cable insulation is taken up by wrapping the cable with several turns of rubber tape. The only external taping required to effectively seal the joint is the small area at each end of the sleeve.



K-36

Catalog Number	For Use with Socket and Nut Assemblies	Fig. No.	Dimensions in Inches			Approx. Ship Wt. in Lbs. per C
			*A (Max.)	L	W	
Z72C3029	Z28NR Z29NR Z30NR	1	1-1/8	4-3/4	1-7/8	20
Z88C3429	Z32NR Z34NR Z34NRB Z36NR	1	1-3/8	5-3/16	2-1/8	30
Z104C4034	Z40NR	1	1-5/8	5-13/16	3-5/6	60
Z104C4434	Z44NR Z40NRA	2	1-5/8	7-3/16	3-5/6	70
Z144C4840	Z45NR Z46NR Z47NR Z48NR	2	2-1/4	9-5/16	3-1/2	130

* Build up insulation of MOLE™ Joint with rubber tape to equal inner diameter of Insulating Sleeve, for insulating sleeve with inner diameter other than standard call customer service.

HYCRAB™ CONNECTORS

One of the most economical devices for connecting several cables to a common junction point is the HYCRAB™, which is essentially a bus bar with a number of compression-type connector outlets, pre-insulated to eliminate taping. Like the MOLE™, the HYCRAB™ fits into a limited space, is simple to rack, and facilitates adding future cables.

Insert and Insulation

Having an insert similar to that of the MOLE™, the HYCRAB™, has connector outlets of the BURNDY® HYDENT™ compression type. These tubular elements are inserted into the cable by BURNDY® HYPRESS™ installation tools and dies, designed to compress connector and cable together with indents of controlled depth. HYDENT™ compression connections are made quickly and easily, have relative conductivities

of 100% or higher, are electrically stable, and mechanically secure.

The HYCRAB™ is insulated by a jacket of molded rubber to resist prolonged exposure to oil or other contaminants.

Installation

Insulation fingers are rolled back to expose the tubular outlets, sufficiently spaced to allow for the convenient operation of BURNDY® HYPRESS™ compression tools. Cable ends are inserted into the outlets. Each is crimped with one or two indents, and the fingers are rolled forward again to cover the outlets. Installation is completed by taping the short space between the tip of the finger and cable insulation.

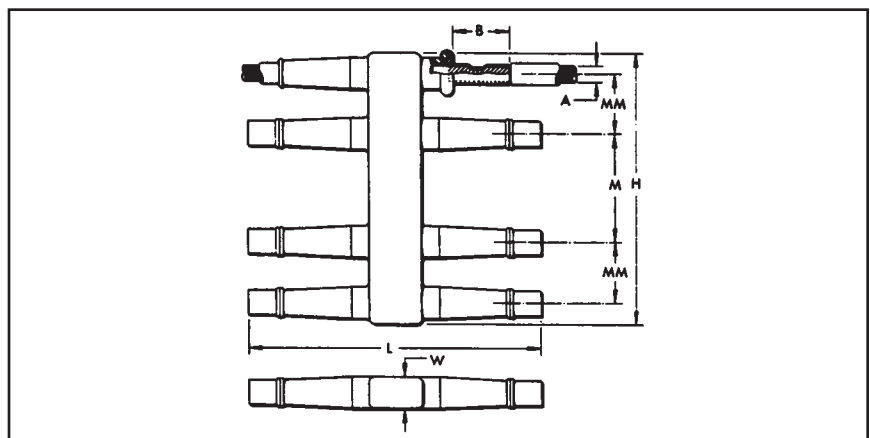
Variations and Accessories

Uninsulated HYCRAB™ connectors for joining bare neutral cables are available in the same range of sizes and number of outlets as the insulated HYCRAB™. By using reducing adapters, the HYCRAB™ can accommodate service wires as small as #6, in addition to the 4/0 or 500 kcmil cable sizes for which these connectors are ordinarily used.

TYPE YM

INSULATED HYCRAB™

A compact insulated crab joint for connecting underground cables at junction points. Two outlets, one on either side of the HYCRAB™ body are ready for immediate use. All other outlets are sealed with vulcanized rubber plugs which are easily removed when future installations are made. This unit eliminates bulky, difficult crotch taping. By using Reducing Adapters, Type Y-R the HYCRAB™ can be installed on cable sizes from #6 to 500 kcmil (e.g., use Y3428R to install 4/0 into YM4-34).



K-37

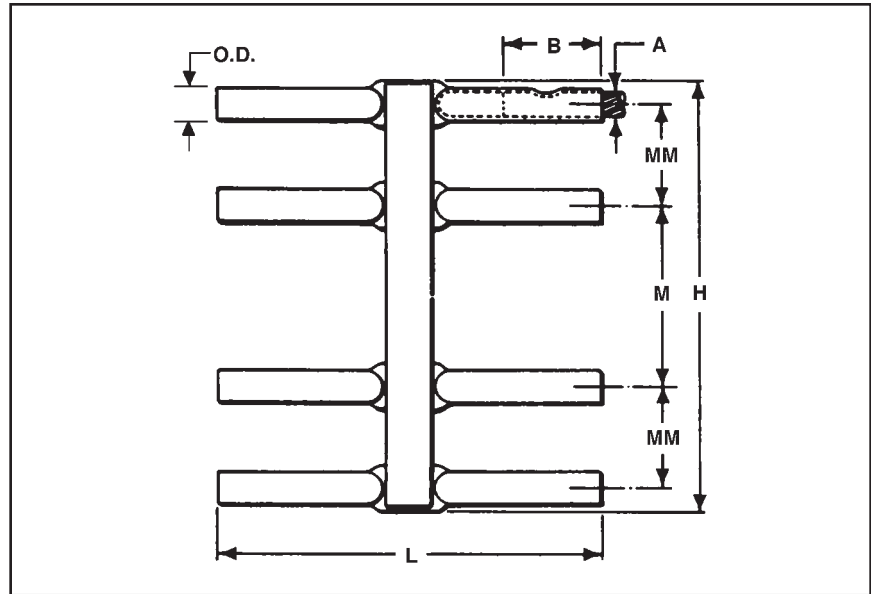
Catalog Number	Cable Size A	# of Outlets	Dimension in Inches							Installation Information		# of Indents	App. Ship Wt. in Lbs.
			B	H	L	M	MM	W	HYPRESS™ & Indentor Die				
									Y34BH with Y34PR				
									Nest Die				
YM4-28	4/0 Str.	4	2	3-11/16	10-3/16	—	2-3/16	1-1/8	B28D		1	1.80	
YM6-28		6	2	7-9/16	10-3/16	3-7/8	2-3/16	1-1/8	B28D		1	3.00	
YM8-28		8	2	9-3/4	10-3/16	3-7/8	2-3/16	1-1/8	B28D		1	4.30	
YM10-28		10	2	13-1/2	8-3/4	3-1/2	2-1/2	1-1/8	B28D		1	5.50	
YM12-28		12	2	16	8-3/4	3-1/2	2-1/2	1-1/8	B28D		1	6.70	
YM4-34	500 kcmil	4	2-1/2	4-3/8	12-5/8	—	2-3/8	1-1/2	No Nest Die Required. Use Indentor Only.		2	4.50	
YM6-34		6	2-1/2	8-5/8	12-5/8	4-1/4	2-3/8	1-1/2			2	7.00	
YM8-34		8	2-1/2	11	12-5/8	4-1/4	2-3/8	1-1/2			2	11.00	
YM10-34		10	2-1/2	14-1/2	12-1/2	3-3/4	2-1/2	1-1/2			2	15.00	
YM12-34		12	2-1/2	17	12-1/2	3-3/4	2-1/2	1-1/2			2	19.00	

TYPE YNM

HYCRAB™

For Joining Bare Neutral Cables

A compact uninsulated multiple connector for joining bare neutral underground cables. For insulated crab joints, see HYCRAB™, Type YM. Reducing adapters, Type Y-R, permit the HYCRAB products listed below to take a full range of cable sizes from #6 to 500 kcmil. For proper installation, see table below.



Catalog Number	Cable Size A	No. of Outlets	Dimension in Inches						Installation Information		
									HYPRESS™ & Indentor Die		No. of Indents
			Y34BH with Y34PR		Nest Die						
B	H	L	M	MM	O.D.						
YNM428	4/0 Str.	4	2	3-3/16	8-3/16	—	2-3/16	11/16	B28D	1	1.00
YNM628		6	3-1/8	7-1/6	8-3/16	3-7/8	2-3/16	11/16	B28D	1	1.80
YNM828		8	2	9-1/4	8-3/16	3-7/8	2-3/16	11/16	B28D	1	2.50
YNM434	500 kcmil	4	2-1/2	3-15/16	10-5/8	—	2-3/8	1-1/16	No Nest Die Required. Use Indentor Only.	2	3.00
YNM634		6	2-1/2	8-3/16	10-5/8	4-1/4	2-3/8	1-1/16		2	5.00
YNM834		8	2-1/2	10-9/16	10-5/8	4-1/4	2-3/8	1-1/16		2	7.30

* Bare HYCRAB™ can be furnished to accommodate both 4/0 and 500 kcmil cables.

K-38

NETWORK PROTECTION

The primary purpose of network protection is the controlled interruption of fault currents before damage occurs to cable insulations and associated equipment, and the elimination of unnecessary service interruptions. The limiter and fuses for network protection are closely associated with the connectors and are equally vital to the safe, continuous operation of an underground system.

BURNDY has developed protective devices that have played a major role in reducing underground system outages and the subsequent expenses incurred in the loss of service and replacement of damaged cables. A basic objective has been the design of limiter-connector combinations that, in addition to protecting against the effects of fault currents, economize on both space and installation costs.

Limiters are designed to protect underground secondary cable from damage by fault currents of two principal kinds: high energy arcing faults and sustained faults. The arcing fault, usually of shorter duration and lesser intensity, is more common. While this type of fault may sputter briefly and then clear, some may be sustained long enough to "roast" the insulation.

A sustained fault occurs when two conductors come solidly into contact and permit the flow of heavy short-circuit currents. Without suitable protection, these fault currents are heavy enough to damage cable insulation and often produce combustible fumes accompanied by fire and explosion.

Installed at each end of cable sections, limiters have time-current characteristics designed to avoid unnecessary outages. Network protector fuses, installed in the network protector on the load side of the breaker, provide back-up protection against failure of a network protector to open on a primary fault. Coordinated characteristics of limiters and fuses provide for fault currents to be interrupted before they can cause damage, but only under predetermined time-current conditions, and only in those parts of the system where interruption is necessary.

Limiters

Engineered to interrupt the circuit before cables carrying a fault current are usually damaged, limiters act to confine damage to the section of cable where the fault occurred. The limiters are designed to prevent unnecessary clearing and will

"hang on" during:

1. Faults with wold clear without damaging cable insulation
2. Overloads from motor starting, load transfer because of primary fault, or temporary overload during fault conditions
3. Overloads from loss of secondary conductors caused by clearing of other limiters
4. Reverse current flow through the network protector on primary faults
5. Faults on other secondary cables

For proper protection BURNDY® limiters are designed with time-current characteristics approximating the insulation damage curve of the cable with which they will be used. Figure 4 shows time-current characteristic curves for a range of standard (250 volt) limiters, superimposed on insulation damage curves for several cable sizes. Although the limiter curve crosses the insulation damage curves, in practice the limiters will blow before the insulation can deteriorate. The insulation damage characteristics represent three phases equally loaded in a duct. Since low-current faults seldom affect more than one phase at a time, the rate of heat generated in the conduit is much less than for a balanced 3-phase fault, and the time to reach the damage point is appreciably longer. Practical experience confirms that limiters provide protection during low-current, as well as high-current faults.

Construction

The limiter is essentially a compression-type electrical connector with its center section accurately formed to provide a fusible element. This fusible element is enclosed in a molded ceramic shell and the assembly encased in an insulated sleeve.

Interrupting capacities are as follows:

Standard Limiters: 30,000 amps at 250V

Replaceable-Link Limiters: 20,000 amps at 250V

The protection probably lies in the fact that the fault impedance reduces the actual fault current to a value considerably less than calculated.

Replaceable-Link Limiters

Replaceable-link limiters, which provide faster time-current characteristics (Figure 5), are used in smaller networks, on the fringes of larger networks, at points where radial feeders leave a network, and for fusing service cables. As its name implies, this limiter is also distinctive in that its fusible link is replaceable.

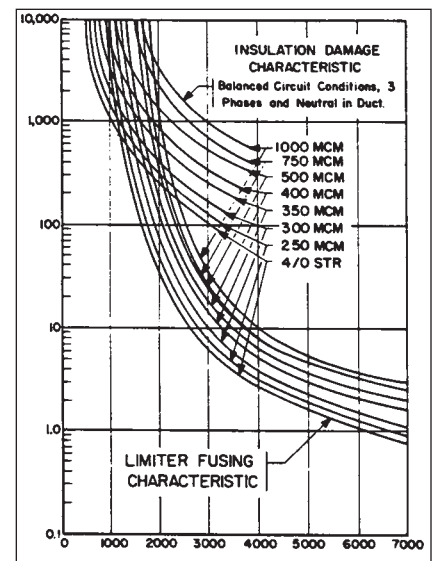


Figure 4: Current - Amperes Standard 250 Volt Limiters

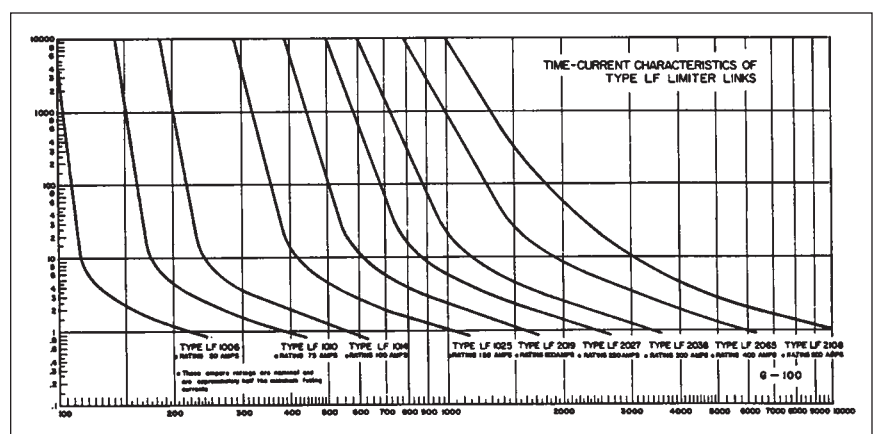


Figure 5: Current in Amperes Replaceable-link Limiters

K-39

NETWORK PROTECTION (Continued)

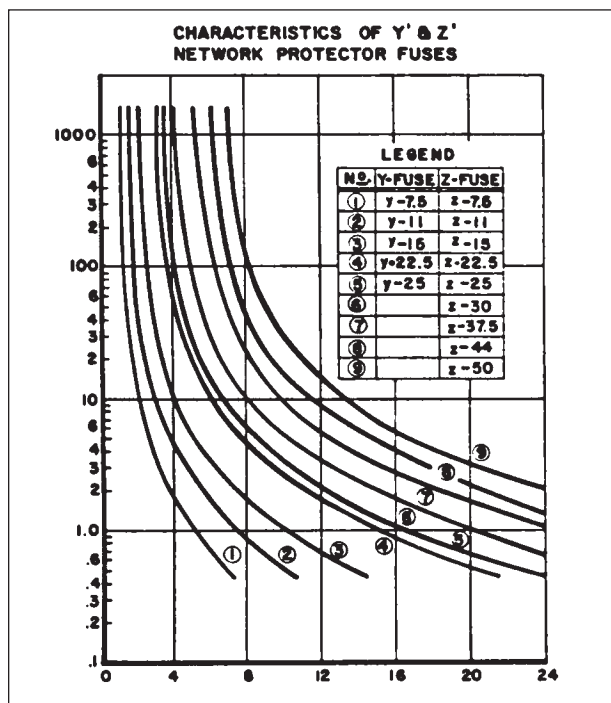


Figure 7: Amperes in Thousands

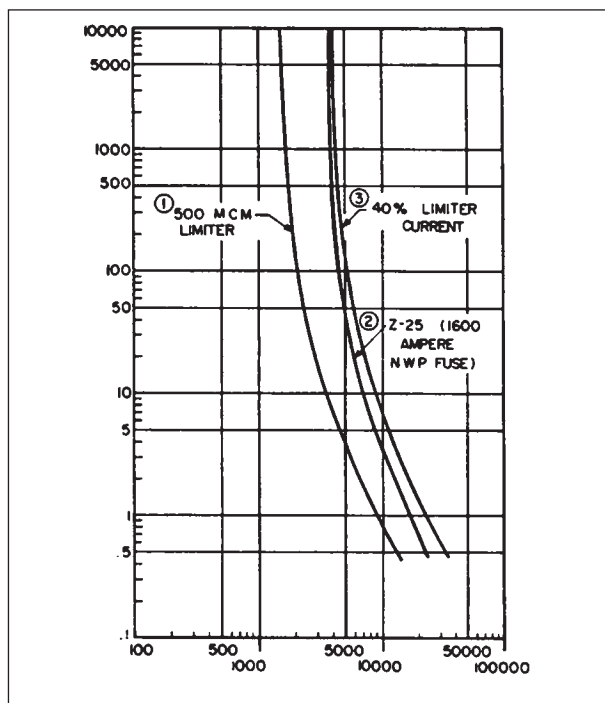


Figure 8: Current in Amperes

K-40

Limiter Variations

The Limiter Lug provides a fusible connection between a cable and a flat surfaced terminal of a transformer or other apparatus. The Limiter Tap incorporates a Limiter Lug assembly, modified to terminate cable to a ring bus. This straight Limiter is made for installation in a single conductor cable. The Molimiter is a Limiter designed so that one end is crimped onto a cable and the other fits the clamping element of a MOLE™ outlet. The Limiter HYCRAB™ connector is essentially a HYCRAB™ with a fusible section in each of its outlets.

Network Protector Fuses

Type Y and Z Network Protector Fuses provide back-up protection in case the protector breaker fails to operate during a primary fault. The fuse time-current curves (Figure 7), are similar to those of the limiter, thus permitting correct fuse-limiter coordination for complete network protection.

Design and Construction

The fusible element for a Type Y or Type Z Fuse is a tin-plated copper bar with reduced section, encased in an arc-resistant molded ceramic enclosure. One-piece construction eliminates possibility of joint failure and assures maximum reliability.

Limiter-Fuse Coordination

To isolate a fault before it can cause extensive damage, and without interrupting service in other sections of the network, limiters and fuses must clear at the proper time and in proper sequence, depending on the fault's location in the primary or secondary system. When a primary fault occurs, the fuse should clear before any limiters blow. For a secondary fault, limiters should clear the fault before the network protector fuse opens. Failure of limiters and network protector fuses to function in proper sequence could cause cascading of other Fuses, or clearing of secondary faults by Fuses rather than limiters. Premature blowing of Limiters not in the faulted section could cause unnecessary service interruption in sections remote from the fault.

To assure the coordinated functioning of fuses and limiters throughout a system, proper rating must be selected. The four-step "Coordination Study" (Figure 8) used in a 4-parallel cable feed system from the protector to the first secondary junction is a typical example of how to select proper ratings.

1. Plot the damage characteristic curve of the cable insulation in the system. Curves for Class L620 (260° C or 500° F), appear in Figure 5.

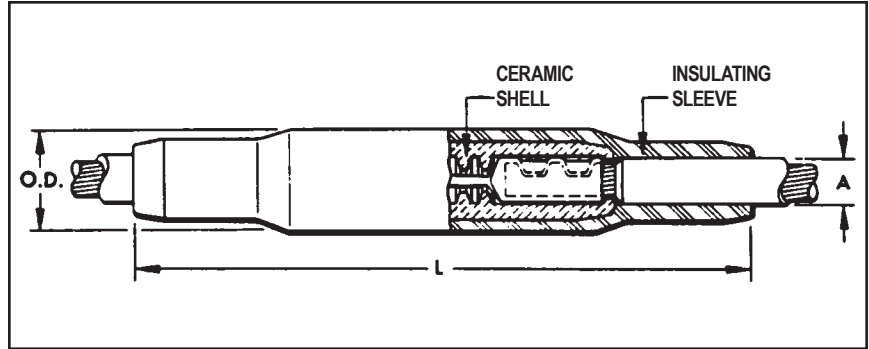
2. Plot the time-current characteristic curve of the same limiter in Parallel secondary mains, assuming it carries 40% of total backfeed current. Allowing for the possibility of unequal current distribution of secondary mains, the "40% Cable Limiter Curve" provides a conservative basis for selection of network protector fuses.
3. Select a fuse with its time-current characteristics (Figure 7) lying between the limiter curves plotted in steps 2 and 3.

This procedure avoids the selection of fuses so light that they might overheat the network protector or clear unnecessarily, possibly cascading other fuses in the network; or so heavy that transformer secondaries might be damaged or limiters blow before the fuse. Proper limiter-fuse coordination, facilitated by the use of fuses and limiters that are precisely matched, assures effective protection without unnecessary interruption.

TYPES YFS-CR AND YFS-CP

LIMITER ASSEMBLY

With Ceramic Shell and Rubber Sleeve for Insulated Cables



The Limiter combines the functions of fuse and connector. The fusible element which is an integral part of the connector will clear faults that are great enough to cause damage to the cable insulation. However it will not clear on minor overloads of short duration. Fusing characteristics of the limiter are shown in technical section. For HYPRESS™ installation, see table below.

For conductor sizes not listed call customer service. To specify a fast acting limiter in any configuration insert an "F" before the conductor number (e.g., YFSF34CR specifies a 1/2 thick limiter section).

*Paper Insulated Cable - Oil Tight Cable Sockets.

- ① Y35P3 Indentor Adaptor required for Y34PR Indentor
- ② Catalog number PUADP1 Adaptor is required to use "U" type dies in the Y46 series tools
- ③ Catalog number PT6515 Adaptor is required to use "U" type dies in the Y45 series tools

For Use On		Cable Size	Dimensions in Inches			Installation Tooling (# Crimps)							
Rubber Insulated Cable	Paper Insulated Cable*		Max. Cable Dia. over Insulation A	L	O.D.	Die Information		Hydraulic					
Catalog Number						Die Index	Type ①	Y34A	750 Series, Y35, Y39	46 Series ②	Y45 ③	Y48B	60 Series
YFS28CR	YSF28CP	4/0 Str.	1	12-3/4	1-15/16	15	Purple Die Set	—	U28RT (2)	U28RT (2)	U28RT (2)	C28R (2)	L28RT (1)
							Nest Indentor	A28D (1) Y34PR	U28DI (1) Y34PR	U28DI (1) Y34PR	U28DI (1) Y34PR	C28D (1) Y48PR	—
YFS29CR	YFS29CP	250 kcmil	1	12-3/4	1-15/16	16	Yellow Die Set	—	U29RT (2)	U29RT (2)	U29RT (2)	C29R (2)	L29RT (1)
							Nest Indentor	A29D (2) Y34PR	U29DI (2) Y34PR	U29DI (2) Y34PR	U29DI (2) Y34PR	C29D (1) Y48PR	—
YFS30CR	YFS30CP	300 kcmil	1-1/8	13-1/2	2-3/16	17	White Die Set	—	U30RT (4)	U30RT (4)	U30RT (4)	C30R (1)	L30RT (1)
							Nest Indentor	A30D (2) Y34PR	U30DI (2) Y34PR	U30DI (2) Y34PR	U30DI (2) Y34PR	C30D (2) Y48PR	—
YFS31CR	YFS31CP	350 kcmil	1-1/8	13-1/2	2-3/16	18	Red Die Set	—	U31RT (4)	U31RT (4)	U31RT (4)	C31R (1)	L31RT (1)
							Nest Indentor	A31D (2) Y34PR	U31DI (2) Y34PR	U31DI (2) Y34PR	U31DI (2) Y34PR	C31D (1) Y48PR	—
YFS32CR	YFS32CP	400 kcmil	1-1/8	13-1/2	2-3/16	19	Blue Die Set	—	U32RT (4)	U32RT (4)	U32RT (4)	C32R (1)	L32RT (1)
							Nest Indentor	A32D (2) Y34PR	U32D1 (2) Y34PR	U32DI (2) Y34PR	U32DI (2) Y34PR	C32D (2) Y48PR	—
YFS34CR	YFS34CP	500 kcmil	1-11/32	15-7/8	2-3/8	20	Brown Die Set	—	U34RT (4)	U34RT (4) P34RT (4)	U34RT (4)	C34R (2)	L34RT (2)
							Nest Indentor	A34D (2) Y34PR	U34D1 (2) Y34PR	U34DI (2) Y34PR	U34DI (2) Y34PR	C34D (2) Y48PR	—
YFS39CR	YFS39CP	750 kcmil	1-1/2	15-9/16	2-9/16	24	Black Die Set	—	U39RT (4)	U39RT (4) P39RT (4)	U39RT (4) S39RT (4)	—	L39RT (2)
							Nest Indentor	—	—	—	—	—	—

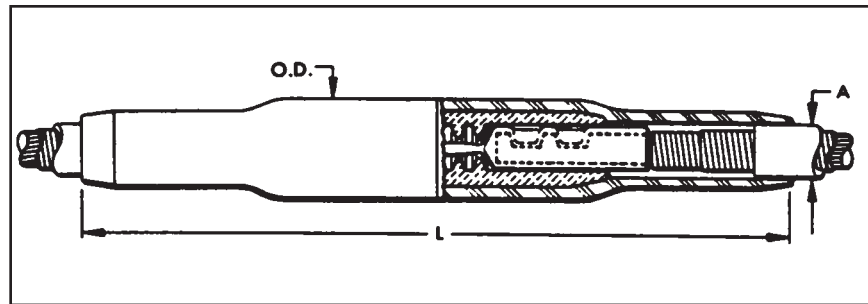
K-41

TYPE YFS-CPL

LONG LIMITER ASSEMBLY

With Ceramic Shell and Rubber Sleeve for Paper-Lead Cables

The Long Limiter performs the same functions as the Limiter shown, Types YFS-CR and YFS-CP. It differs in that it has extra long cable sockets which are preferred by some for use on paper insulated cable. The end seams are sealed to make the sockets oil tight. Fusing characteristics of the Limiter are shown in technical section. For proper HYPRESS™ installation, see table below.



For conductor sizes not listed call customer service. To specify a fast acting limiter in any configuration insert an "F" before the conductor number (e.g., YFSF34CR specifies a 1/2 thick limiter section).

- ① Y35P3 Indentor Adaptor required for Y34PR Indentor
- ② Catalog number PUADP1 Adaptor is required to use "U" type dies in the Y46 series tools
- ③ Catalog number PT6515 Adaptor is required to use "U" type dies in the Y45 series tools

K-42

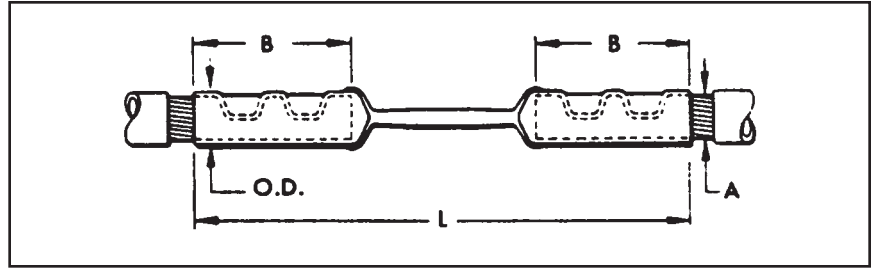
Catalog Number	Cable Size	Dimensions in Inches			Installation Tooling (# Crimps)							
		Max. Cable Dia. over Insulation A	L	O.D.	Die Information		Hydraulic					
					Die Index	Type ①	Y34A	750 Series, Y35, Y39	46 Series ②	Y45 ③	Y48B	60 Series
YFS28CPL	4/0 Str.	1	12-3/4	1-15/16	15	Purple Die Set	—	U28RT (2)	U28RT (2)	U28RT (2)	C28R (2)	L28RT (1)
						Nest Indentor	A28D (1) Y34PR	U28DI (1) Y34PR	U28DI (1) Y34PR	U28DI (1) Y34PR	C28D (1) Y48PR	—
YFS29CPL	250 kcmil	1	12-3/4	1-15/16	16	Yellow Die Set	—	U29RT (2)	U29RT (2)	U29RT (2)	C29R (2)	L29RT (1)
						Nest Indentor	A29D (2) Y34PR	U29DI (2) Y34PR	U29DI (2) Y34PR	U29DI (2) Y34PR	C29D (1) Y48PR	—
YFS30CPL	300 kcmil	1-1/8	13-1/2	2-3/16	17	White Die Set	—	U30RT (4)	U30RT (4)	U30RT (4)	C30R (1)	L30RT (1)
						Nest Indentor	A30D (2) Y34PR	U30DI (2) Y34PR	U30DI (2) Y34PR	U30DI (2) Y34PR	C30D (2) Y48PR	—
YFS31CPL	350 kcmil	1-1/8	13-1/2	2-3/16	18	Red Die Set	—	U31RT (4)	U31RT (4)	U31RT (4)	C31R (1)	L31RT (1)
						Nest Indentor	A31D (2) Y34PR	U31DI (2) Y34PR	U31DI (2) Y34PR	U31DI (2) Y34PR	C31D (1) Y48PR	—
YFS32CPL	400 kcmil	1-1/8	13-1/2	2-3/16	19	Blue Die Set	—	U32RT (4)	U32RT (4)	U32RT (4)	C32R (1)	L32RT (1)
						Nest Indentor	A32D (2) Y34PR	U32DI (2) Y34PR	U32DI (2) Y34PR	U32DI (2) Y34PR	C32D (2) Y48PR	—
YFS34CPL	500 kcmil	1-11/32	15-7/8	2-3/8	20	Brown Die Set	—	U34RT (4)	U34RT (4) P34RT (4)	U34RT (4)	C34R (2)	L34RT (2)
						Nest Indentor	A34D (2) Y34PR	U34DI (2) Y34PR	U34DI (2) Y34PR	U34DI (2) Y34PR	C34D (2) Y48PR	—
YFS39CPL	750 kcmil	1-1/2	15-9/16	2-9/16	24	Black Die Set	—	U39RT (4)	U39RT (4) P39RT (4)	U39RT (4) S39RT (4)	—	L39RT (2)
						Nest Indentor	—	—	—	—	—	—

TYPES YFSR, YFSP

LIMITER

For Use with Limiter Assembly

The Limiter serves the double function of a fuse and a coupler. The fusible element is an integral part of the coupler and is closely and carefully sized to insure excellent performance. Fusing characteristics of the Limiter are shown in technical section. For proper HYPRESS™ installation, see table below.



For conductor sizes not listed call customer service. To specify a fast acting limiter in any configuration insert an "F" before the conductor number (e.g., YFSF34CR specifies a 1/2 thick limiter section).

*Paper Insulated Cable - Oil Tight Cable Sockets.

① Y35P3 Indentor Adaptor required for Y34PR Indentor

② Catalog number PUADP1 Adaptor is required to use "U" type dies in the Y46 series tools

③ Catalog number PT6515 Adaptor is required to use "U" type dies in the Y45 series tools

For use on Rubber Insulated Cable	For use on Paper Insulated Cable*	Cable Size	Dimensions in Inches			Installation Tooling (# Crimps)							
			B	L	O.D.	Die Information		Hydraulic					
						Die Index	Type ①	Y34A	750 Series, Y35, Y39	46 Series ②	Y45 ③	Y48B	60 Series
YFSR28	YFSP28	4/0 Str.	1-3/4 in	6-3/8	11/16	15	Purple Die Set	—	U28RT (2)	U28RT (2)	U28RT (2)	C28R (2)	L28RT (1)
							Nest Indentor	A28D (1) Y34PR	U28DI (1) Y34PR	U28DI (1) Y34PR	U28DI (1) Y34PR	C28D (1) Y48PR	—
YFSR29	YFSP29	250 kcmil	1-7/8 in	6-3/8	3/4	16	Yellow Die Set	—	U29RT (2)	U29RT (2)	U29RT (2)	C29R (2)	L29RT (1)
							Nest Indentor	A29D (2) Y34PR	U29DI (2) Y34PR	U29DI (2) Y34PR	U29DI (2) Y34PR	C29D (1) Y48PR	—
YFSR30	YFSP30	300 kcmil	2 in	6-3/4	13/16	17	White Die Set	—	U30RT (4)	U30RT (4)	U30RT (4)	C30R (1)	L30RT (1)
							Nest Indentor	A30D (2) Y34PR	U30DI (2) Y34PR	U30DI (2) Y34PR	U30DI (2) Y34PR	C30D (2) Y48PR	—
YFSR31	YFSP31	350 kcmil	2 in	6-3/4	7/8	18	Red Die Set	—	U31RT (4)	U31RT (4)	U31RT (4)	C31R (1)	L31RT (1)
							Nest Indentor	A31D (2) Y34PR	U31DI (2) Y34PR	U31DI (2) Y34PR	U31DI (2) Y34PR	C31D (1) Y48PR	—
YFSR32	YFSP32	400 kcmil	2-1/8 in	7	31/32	19	Blue Die Set	—	U32RT (4)	U32RT (4)	U32RT (4)	C32R (1)	L32RT (1)
							Nest Indentor	A32D (2) Y34PR	U32DI (2) Y34PR	U32DI (2) Y34PR	U32DI (2) Y34PR	C32D (2) Y48PR	—
YFSR34	YFSP34	500 kcmil	2-7/8 in	8-3/4	1-1/16	20	Brown Die Set	—	U34RT (4)	U34RT (4) P34RT (4)	U34RT (4)	C34R (2)	L34RT (2)
							Nest Indentor	A34D (2) Y34PR	U34DI (2) Y34PR	U34DI (2) Y34PR	U34DI (2) Y34PR	C34D (2) Y48PR	—
YFSR39	YFSP39	750 kcmil	2-7/8 in	9	1-5/16	24	Black Die Set	—	U39RT (4)	U39RT (4) P39RT (4)	U39RT (4) S39RT (4)	—	L39RT (2)
							Nest Indentor	—	—	—	—	—	—

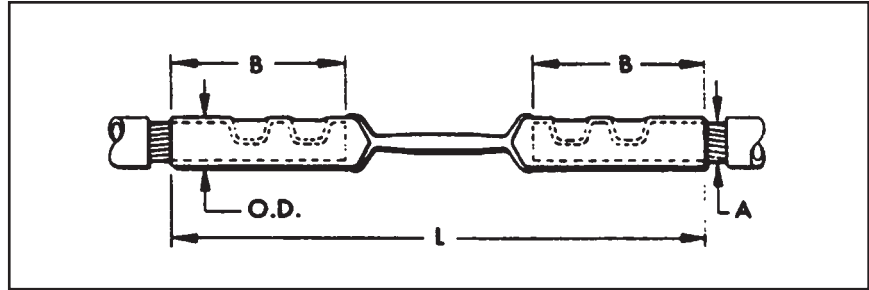
K-43

TYPE YFSP-L

LONG LIMITER

For Use with Long Limiter Assembly

The Long Limiter serves the same purpose as the Limiter shown above but has extra long oil tight cable sockets which may be preferred by some for use on paper insulated cables. Similarly designed to clear on overloads that will damage the insulation of the cable. Fusing characteristics of the Long Limiter are shown in technical section. For HYPRESS™ installation, see table below.



For conductor sizes not listed call customer service. To specify a fast acting limiter in any configuration insert an "F" before the conductor number (e.g., YFSF34CR specifies a 1/2 thick limiter section).

- ① Y35P3 Indentor Adaptor required for Y34PR Indentor
- ② Catalog number PUADP1 Adaptor is required to use "U" type dies in the Y46 series tools
- ③ Catalog number PT6515 Adaptor is required to use "U" type dies in the Y45 series tools

K-44

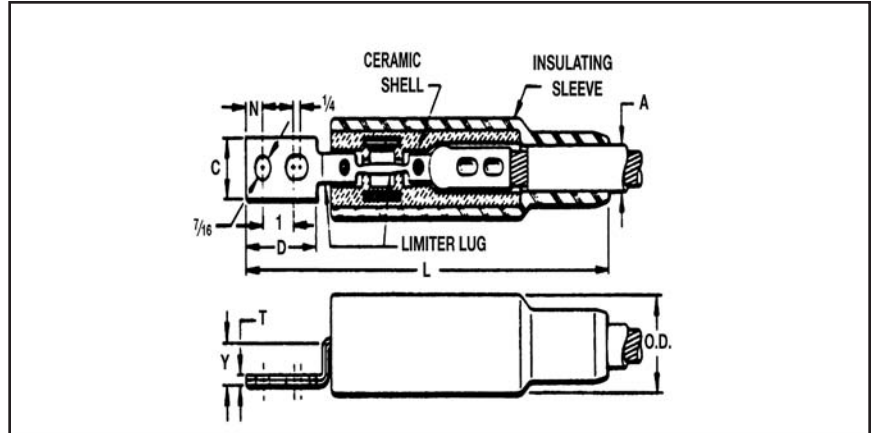
Catalog Number	Cable Size	Dimensions in Inches			Installation Tooling (# Crimps)							
		B	L	O.D.	Die Information		Hydraulic					
					Die Index	Type ①	Y34A	750 Series, Y35, Y39	46 Series ②	Y45 ③	Y48B	60 Series
YFSP28L	4/0 Str.	2-15/16 in	8-3/4	11/16	15	Purple Die Set	—	U28RT (2)	U28RT (2)	U28RT (2)	C28R (2)	L28RT (1)
						Nest Indentor	A28D (1) Y34PR	U28DI (1) Y34PR	U28DI (1) Y34PR	U28DI (1) Y34PR	C28D (1) Y48PR	—
YFSP29L	250 kcmil	3-1/16 in	8-3/4	3/4	16	Yellow Die Set	—	U29RT (2)	U29RT (2)	U29RT (2)	C29R (2)	L29RT (1)
						Nest Indentor	A29D (2) Y34PR	U29DI (2) Y34PR	U29DI (2) Y34PR	U29DI (2) Y34PR	C29D (1) Y48PR	—
YFSP30L	300 kcmil	3-3/8 in	9-1/2	13/16	17	White Die Set	—	U30RT (4)	U30RT (4)	U30RT (4)	C30R (1)	L30RT (1)
						Nest Indentor	A30D (2) Y34PR	U30DI (2) Y34PR	U30DI (2) Y34PR	U30DI (2) Y34PR	C30D (2) Y48PR	—
YFSP31L	350 kcmil	3-3/8 in	9-1/2	7/8	18	Red Die Set	—	U31RT (4)	U31RT (4)	U31RT (4)	C31R (1)	L31RT (1)
						Nest Indentor	A31D (2) Y34PR	U31DI (2) Y34PR	U31DI (2) Y34PR	U31DI (2) Y34PR	C31D (1) Y48PR	—
YFSP32L	400 kcmil	3-3/8 in	9-1/2	31/32	19	Blue Die Set	—	U32RT (4)	U32RT (4)	U32RT (4)	C32R (1)	L32RT (1)
						Nest Indentor	A32D (2) Y34PR	U32DI (2) Y34PR	U32DI (2) Y34PR	U32DI (2) Y34PR	C32D (2) Y48PR	—
YFSP34L	500 kcmil	4-3/16 in	11-3/8	1-1/16	20	Brown Die Set	—	U34RT (4)	U34RT (4) P34RT (4)	U34RT (4)	C34R (2)	L34RT (2)
						Nest Indentor	A34D (2) Y34PR	U34DI (2) Y34PR	U34DI (2) Y34PR	U34DI (2) Y34PR	C34D (2) Y48PR	—
YFSP39L	750 kcmil	4-3/16 in	11-5/8	1-5/16	24	Black Die Set	—	U39RT (4)	U39RT (4) P39RT (4)	U39RT (4) S39RT (4)	—	L39RT (2)
						Nest Indentor	—	—	—	—	—	—

TYPES YFA-CR, YFA-CP

LIMITER LUG ASSEMBLY

With Ceramic Shell and Rubber Sleeve

The Limiter Lug combines the functions of terminal and fuse. The fusible element is an integral part of the connector and is so designed that it will clear overloads which are great enough to cause damage to the cable insulation. Unlike an ordinary fuse, however, it will not clear on minor overloads of short duration. Fusing characteristics of the Limiter Lugs are shown in the technical section. Component parts shown in the table below may be purchased separately. For proper HYPRESS™ installation, see table below.



For conductor sizes not listed call customer service.

*Paper Insulated Cable - Oil Tight Cable Sockets.

- ① Y35P3 Indentor Adaptor required for Y34PR Indentor
- ② Catalog number PUADP1 Adaptor is required to use "U" type dies in the Y46 series tools
- ③ Catalog number PT6515 Adaptor is required to use "U" type dies in the Y45 series tools

For Use On		Cable Size	Dimensions in Inches								Installation Tooling (# Crimps)							
Rubber Insulated Cable	Paper Insulated Cable*		(Max. Cable Dia. over Insul.) A	C	D	L	N	T	Y	O.D.	Die Information		Hydraulic					
Catalog Number											Die Index	Type ①	Y34A	750 Series, Y35, Y39	46 Series ②	Y45 ③	Y48B	60 Series
YFA28CR2	YFA28CP-2	4/0 Str.	1.00	1.00	2.19	11.56	0.44	0.14	0.84	2.00	15	Purple Die Set	—	U28RT (2)	U28RT (2)	U28RT (2)	C28R (2)	L28RT (1)
												Nest Indentor	A28D (1) Y34PR	U28DI (1) Y34PR	U28DI (1) Y34PR	U28DI (1) Y34PR	C28D (1) Y48PR	—
YFA29CR2	YFA29CP-2	250 kcmil	1.00	1.13	2.19	11.56	0.44	0.16	0.84	2.00	16	Yellow Die Set	—	U29RT (2)	U29RT (2)	U29RT (2)	C29R (2)	L29RT (1)
												Nest Indentor	A29D (2) Y34PR	U29DI (2) Y34PR	U29DI (2) Y34PR	U29DI (2) Y34PR	C29D (1) Y48PR	—
YFA30CR2	YFA30CP-2	300 kcmil	1.22	1.19	2.31	13.19	0.50	0.16	1.00	2.38	17	White Die Set	—	U30RT (4)	U30RT (4)	U30RT (4)	C30R (1)	L30RT (1)
												Nest Indentor	A30D (2) Y34PR	U30DI (2) Y34PR	U30DI (2) Y34PR	U30DI (2) Y34PR	C30D (2) Y48PR	—
YFA31CR2	YFA31CP-2	350 kcmil	1.22	1.31	2.31	13.19	0.50	0.19	1.00	2.38	18	Red Die Set	—	U31RT (4)	U31RT (4)	U31RT (4)	C31R (1)	L31RT (1)
												Nest Indentor	A31D (2) Y34PR	U31DI (2) Y34PR	U31DI (2) Y34PR	U31DI (2) Y34PR	C31D (1) Y48PR	—
YFA32CR2	—	400 kcmil	1.22	1.44	2.31	13.19	0.50	0.19	1.00	2.38	19	Blue Die Set	—	U32RT (4)	U32RT (4)	U32RT (4)	C32R (1)	L32RT (1)
												Nest Indentor	A32D (2) Y34PR	U32DI (2) Y34PR	U32DI (2) Y34PR	U32DI (2) Y34PR	C32D (2) Y48PR	—
YFA34CR2	YFA34CP-2	500 kcmil	1.34	1.50	2.75	13.63	0.50	0.22	1.00	2.38	20	Brown Die Set	—	U34RT (4)	U34RT (4) P34RT (4)	U34RT (4)	C34R (2)	L34RT (2)
												Nest Indentor	A34D (2) Y34PR	U34DI (2) Y34PR	U34DI (2) Y34PR	U34DI (2) Y34PR	C34D (2) Y48PR	—
YFA39CR2	YFA39CP-2	750 kcmil	1.50	1.94	2.75	13.63	0.50	0.25	1.00	2.38	24	Black Die Set	—	U39RT (4)	U39RT (4) P39RT (4)	U39RT (4) S39RT (4)	C39R (2)	L39RT (2)
												Nest Indentor	—	—	P32D (2) P44PR	—	C39D (2) Y48PR	—

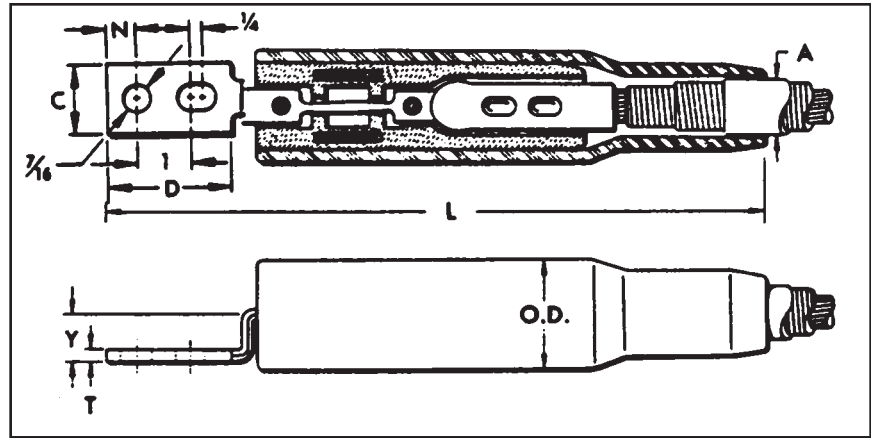
K-45

TYPE YFA-CPL

LONG LIMITER LUG ASSEMBLY

With Ceramic Shell
and Rubber Sleeve —
for Paper-Lead Cables

A Limiter Lug similar to Type YFA-CR or YFACP. In this case, however, we supply an extra long cable socket which is sometimes preferred for use on paper insulated cable. The end seams are sealed to make sockets oil tight. Fusing characteristics of the Limiter Lugs are shown in the technical section. For proper HYPRESS™ installation, see table below.



For conductor sizes not listed call customer service.

- ① Y35P3 Indentor Adaptor required for Y34PR Indentor
- ② Catalog number PUADP1 Adaptor is required to use "U" type dies in the Y46 series tools
- ③ Catalog number PT6515 Adaptor is required to use "U" type dies in the Y45 series tools

K-46

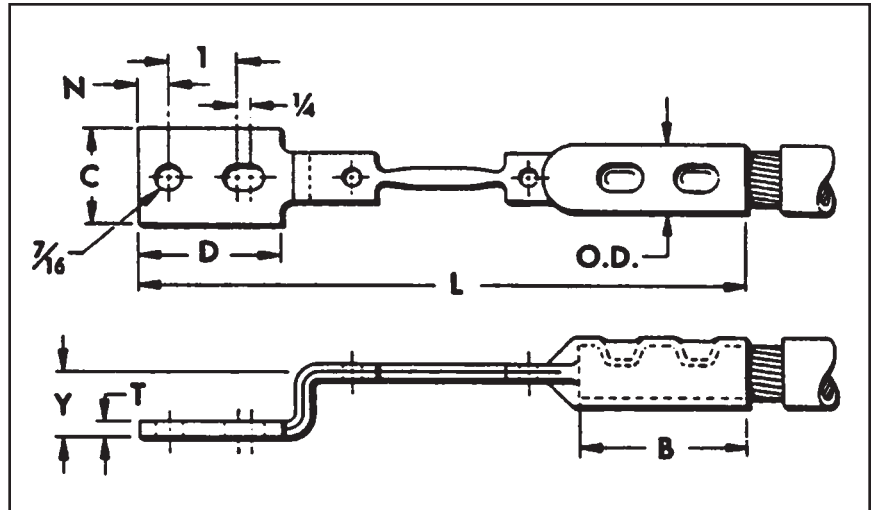
Catalog Number	Cable Size	(Max. Cable Dia. over Insul.) A	Dimensions in Inches							Installation Tooling (# Crimps)							
			C	D	L	N	T	Y	O.D.	Die Information		Hydraulic					
										Die Index	Type ①	Y34A	750 Series, Y35, Y39	46 Series ②	Y45 ③	Y48B	60 Series
YFA28CPL2	4/0 Str.	1.00	1.00	2.19	11.56	0.44	0.14	0.84	2.00	15	Purple Die Set	—	U28RT (2)	U28RT (2)	U28RT (2)	C28R (2)	L28RT (1)
											Nest Indentor	A28D (1) Y34PR	U28DI (1) Y34PR	U28DI (1) Y34PR	U28DI (1) Y34PR	C28D (1) Y48PR	—
YFA29CPL2	250 kcmil	1.00	1.09	2.19	11.56	0.44	0.16	0.84	1.75	16	Yellow Die Set	—	U29RT (2)	U29RT (2)	U29RT (2)	C29R (2)	L29RT (1)
											Nest Indentor	A29D (2) Y34PR	U29DI (2) Y34PR	U29DI (2) Y34PR	U29DI (2) Y34PR	C29D (1) Y48PR	—
YFA30CPL2	300 kcmil	1.22	1.19	2.31	13.19	0.50	0.16	1.00	2.38	17	White Die Set	—	U30RT (4)	U30RT (4)	U30RT (4)	C30R (1)	L30RT (1)
											Nest Indentor	A30D (2) Y34PR	U30DI (2) Y34PR	U30DI (2) Y34PR	U30DI (2) Y34PR	C30D (2) Y48PR	—
YFA31CPL2	350 kcmil	1.22	1.28	2.31	13.19	0.50	0.19	1.00	0.88	18	Red Die Set	—	U31RT (4)	U31RT (4)	U31RT (4)	C31R (1)	L31RT (1)
											Nest Indentor	A31D (2) Y34PR	U31DI (2) Y34PR	U31DI (2) Y34PR	U31DI (2) Y34PR	C31D (1) Y48PR	—
YFA32CPL2	400 kcmil	1.22	1.44	2.31	13.19	0.50	0.19	1.00	2.38	19	Blue Die Set	—	U32RT (4)	U32RT (4)	U32RT (4)	C32R (1)	L32RT (1)
											Nest Indentor	A32D (2) Y34PR	U32DI (2) Y34PR	U32DI (2) Y34PR	U32DI (2) Y34PR	C32D (2) Y48PR	—
YFA34CPL2	500 kcmil	1.34	1.50	2.75	13.63	0.50	0.22	1.00	1.06	20	Brown Die Set	—	U34RT (4)	U34RT (4) P34RT (4)	U34RT (4)	C34R (2)	L34RT (2)
											Nest Indentor	A34D (2) Y34PR	U34DI (2) Y34PR	U34DI (2) Y34PR	U34DI (2) Y34PR	C34D (2) Y48PR	—
YFA39CPL2	750 kcmil	1.50	1.94	2.75	13.63	0.50	0.25	1.00	2.38	24	Black Die Set	—	U39RT (4)	U39RT (4) P39RT (4)	U39RT (4) S39RT (4)	C39R (2)	L39RT (2)
											Nest Indentor	—	—	P32D (2) P44PR	—	C39D (2) Y48PR	—

TYPES YFAR, YFAP

LIMITER LUG

For Use with Limiter Lug Assembly

The Limiter Lug incorporates an accurately determined fusible section as an integral part with its terminal end. The fusible section is so selected that it will prevent the cable from roasting or damage from a short circuit, although it will not clear on minor overloads of short duration not harmful to cable insulation. For proper HYPRESS™ installation, see table below.



For conductor sizes not listed call customer service.

*Paper Insulated Cable - Oil Tight Cable Sockets.

- ① Y35P3 Indenter Adaptor required for Y34PR Indentor
- ② Catalog number PUADP1 Adaptor is required to use "U" type dies in the Y46 series tools
- ③ Catalog number PT6515 Adaptor is required to use "U" type dies in the Y45 series tools

For Use On		Cable Size	Dimensions in Inches								Installation Tooling (# Crimps)							
Rubber Insulated Cable	Paper Insulated Cable*		B	C	D	L	N	T	Y	O.D.	Die Information		Hydraulic					
Catalog Number											Die Index	Type ①	Y34A	750 Series, Y35, Y39	46 Series ②	Y45 ③	Y48B	60 Series
YFAR282	YFAP282	4/0 Str.	1.81	1.00	2.19	8.22	0.44	0.14	0.89	0.70	15	Purple Die Set	—	U28RT (2)	U28RT (2)	U28RT (2)	C28R (2)	L28RT (1)
												Nest Indentor	A28D (1) Y34PR	U28DI (1) Y34PR	U28DI (1) Y34PR	U28DI (1) Y34PR	C28D (1) Y48PR	—
YFAR292	YFAP292	250 kcmil	1.81	1.09	2.19	8.22	0.44	0.16	0.91	0.76	16	Yellow Die Set	—	U29RT (2)	U29RT (2)	U29RT (2)	C29R (2)	L29RT (1)
												Nest Indentor	A29D (2) Y34PR	U29DI (2) Y34PR	U29DI (2) Y34PR	U29DI (2) Y34PR	C29D (1) Y48PR	—
YFAR302	YFAP302	300 kcmil	1.94	1.19	2.31	8.88	0.50	0.16	1.07	0.83	17	White Die Set	—	U30RT (4)	U30RT (4)	U30RT (4)	C30R (1)	L30RT (1)
												Nest Indentor	A30D (2) Y34PR	U30DI (2) Y34PR	U30DI (2) Y34PR	U30DI (2) Y34PR	C30D (2) Y48PR	—
YFAR312	YFAP312	350 kcmil	1.94	1.28	2.31	8.88	0.50	0.18	1.08	0.89	18	Red Die Set	—	U31RT (4)	U31RT (4)	U31RT (4)	C31R (1)	L31RT (1)
												Nest Indentor	A31D (2) Y34PR	U31DI (2) Y34PR	U31DI (2) Y34PR	U31DI (2) Y34PR	C31D (1) Y48PR	—
YFAR322	YFAP322	400 kcmil	2.06	1.38	2.31	9.12	0.50	0.19	1.10	0.97	19	Blue Die Set	—	U32RT (4)	U32RT (4)	U32RT (4)	C32R (1)	L32RT (1)
												Nest Indentor	A32D (2) Y34PR	U32DI (2) Y34PR	U32DI (2) Y34PR	U32DI (2) Y34PR	C32D (2) Y48PR	—
YFAR342	YFAP342	500 kcmil	2.44	1.54	2.75	10.00	0.50	0.23	1.11	0.97	20	Brown Die Set	—	U34RT (4)	U34RT (4) P34RT (4)	U34RT (4)	C34R (2)	L34RT (2)
												Nest Indentor	A34D (2) Y34PR	U34DI (2) Y34PR	U34DI (2) Y34PR	U34DI (2) Y34PR	C34D (2) Y48PR	—
YFAR392	YFAP392	750 kcmil	2.44	1.91	2.75	10.00	0.50	0.26	1.14	1.34	24	Black Die Set	—	U39RT (4) P39RT (4)	U39RT (4) S39RT (4)	U39RT (4) S39RT (4)	C39R (2)	L39RT (2)
												Nest Indentor	—	—	P32D (2) P44PR	—	C39D (2) Y48PR	—

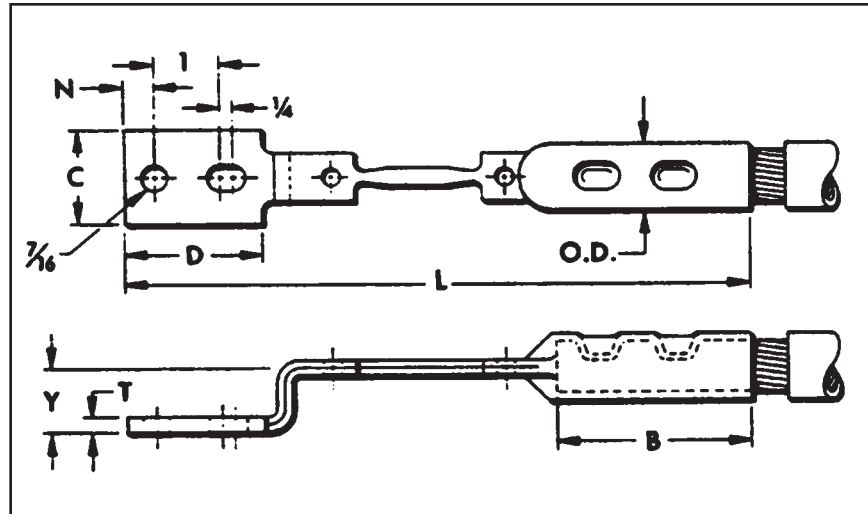
K-47

TYPE YFAP-L

LONG LIMITER LUG

For Use with Limiter Lug Assembly

Similar to Limiter Lug Types YFAR and YFAP, except that this type provides a long oil tight cable socket, preferred by some users of paper-insulated cables. Fusing characteristics shown in technical section. For HYPRESS™ installation, see table below.



For conductor sizes not listed call customer service.

- ① Y35P3 Indentor Adaptor required for Y34PR Indentor
- ② Catalog number PUADP1 Adaptor is required to use "U" type dies in the Y46 series tools
- ③ Catalog number PT6515 Adaptor is required to use "U" type dies in the Y45 series tools

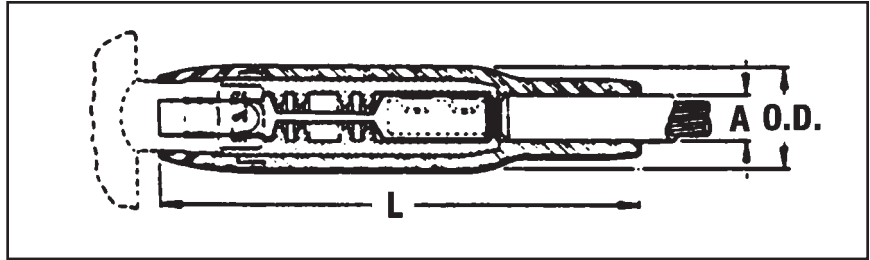
K-48

Catalog Number	Cable Size	Dimensions in Inches								Installation Tooling (# Crimps)							
		B	C	D	L	N	T	Y	O.D.	Die Information		Hydraulic					
										Die Index	Type ①	Y34A	750 Series, Y35, Y39	46 Series ②	Y45 ③	Y48B	60 Series
YFAP28L2	4/0 Str.	3.50	1.00	2.19	10.44	0.44	0.14	0.89	0.69	15	Purple Die Set	—	U28RT (2)	U28RT (2)	U28RT (2)	C28R (2)	L28RT (1)
											Nest Indentor	A28D (1) Y34PR	U28DI (1) Y34PR	U28DI (1) Y34PR	U28DI (1) Y34PR	C28D (1) Y48PR	—
YFAP29L2	250 kcmil	3.56	1.12	2.18	10.44	0.44	0.16	0.89	0.75	16	Yellow Die Set	—	U29RT (2)	U29RT (2)	U29RT (2)	C29R (2)	L29RT (1)
											Nest Indentor	A29D (2) Y34PR	U29DI (2) Y34PR	U29DI (2) Y34PR	U29DI (2) Y34PR	C29D (1) Y48PR	—
YFAP30L2	300 kcmil	3.63	1.18	2.31	11.19	0.50	0.16	1.10	0.76	17	White Die Set	—	U30RT (4)	U30RT (4)	U30RT (4)	C30R (1)	L30RT (1)
											Nest Indentor	A30D (2) Y34PR	U30DI (2) Y34PR	U30DI (2) Y34PR	U30DI (2) Y34PR	C30D (2) Y48PR	—
YFAP31L2	350 kcmil	3.63	1.38	2.31	11.38	0.50	0.18	1.08	0.82	18	Red Die Set	—	U31RT (4)	U31RT (4)	U31RT (4)	C31R (1)	L31RT (1)
											Nest Indentor	A31D (2) Y34PR	U31DI (2) Y34PR	U31DI (2) Y34PR	U31DI (2) Y34PR	C31D (1) Y48PR	—
YFAP32L2	400 kcmil	3.75	1.38	2.31	11.50	0.50	0.19	1.10	0.89	19	Blue Die Set	—	U32RT (4)	U32RT (4)	U32RT (4)	C32R (1)	L32RT (1)
											Nest Indentor	A32D (2) Y34PR	U32DI (2) Y34PR	U32DI (2) Y34PR	U32DI (2) Y34PR	C32D (2) Y48PR	—
YFAP34L2	500 kcmil	4.13	1.54	2.75	12.25	0.50	0.23	1.11	0.98	20	Brown Die Set	—	U34RT (4)	U34RT (4) P34RT (4)	U34RT (4)	C34R (2)	L34RT (2)
											Nest Indentor	A34D (2) Y34PR	U34DI (2) Y34PR	U34DI (2) Y34PR	U34DI (2) Y34PR	C34D (2) Y48PR	—
YFAP39L2	750 kcmil	4.13	1.91	2.75	12.31	0.50	0.27	1.14	1.20	24	Black Die Set	—	U39RT (4)	U39RT (4) P39RT (4)	U39RT (4) S39RT (4)	C39R (2)	L39RT (2)
											Nest Indentor	—	—	P32D (2) P44PR	—	C39D (2) Y48PR	—

TYPES YFM-CR, YFM-CP

MOLIMITER™ ASSEMBLY

With Ceramic Shell and Rubber Sleeve for Insulated Cables



The MOLIMITER™ is used for fusing underground cables at junction points. The unit is designed for use with the BURNDY® MOLE™ and provides Limiter protection for cables, which terminate at the MOLE™. The cable end is installed in the MOLIMITER™ cable socket (see Installation Information in table below) and then the MOLE™ end is installed in the MOLE™ outlet Socket and Nut assembly. Any MOLIMITER which has burned clear may be quickly replaced. For time current characteristics see the technical section.

For conductor sizes not listed call customer service.

*Paper Insulated Cable - Oil Tight Cable Sockets.

① Y35P3 Indenter Adaptor required for Y34PR Indenter

② Catalog number PUADP1 Adaptor is required to use "U" type dies in the Y46 series tools

③ Catalog number PT6515 Adaptor is required to use "U" type dies in the Y45 series tools

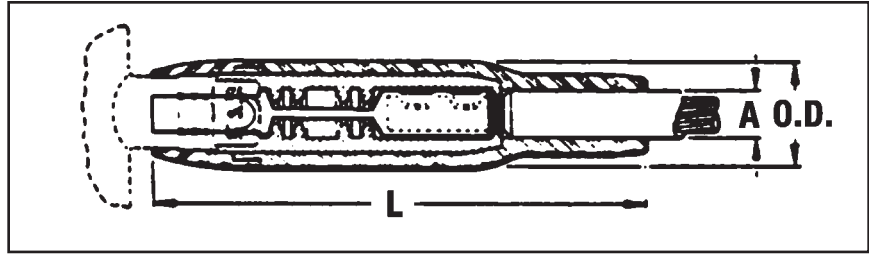
For Use On		Cable Size	Dimensions in Inches			For Connection to MOLE™ Use		MOLE™ Outlet Size	Installation Tooling (# Crimps)							
Rubber Insulated Cable	Paper Insulated Cable*		(Max. Cable Dia. Over Insul.) A	L	O.D.	Socket and Nut Assembly	Z Cone		Die Information		Hydraulic					
Catalog Number									Die Index	Type ①	Y34A	750 Series, Y35, Y39	46 Series ②	Y45 ③	Y48B	60 Series
YFM28CR	YFM28CP	4/0 Str.	1.34	11.69	2.38	Z28NR	Z2828	A	15	Purple Die Set	—	U28RT (2)	U28RT (2)	U28RT (2)	C28R (2)	L28RT (1)
										Nest Indenter	A28D (1) Y34PR	U28DI (1) Y34PR	U28DI (1) Y34PR	U28DI (1) Y34PR	C28D (1) Y48PR	—
YFM29CR	YFM29CP	250 kcmil	1.34	11.69	2.38	Z29NR	Z2929	A	16	Yellow Die Set	—	U29RT (2)	U29RT (2)	U29RT (2)	C29R (2)	L29RT (1)
										Nest Indenter	A29D (2) Y34PR	U29DI (2) Y34PR	U29DI (2) Y34PR	U29DI (2) Y34PR	C29D (1) Y48PR	—
YFM30CR	YFM30CP	300 kcmil	1.34	11.69	2.38	Z30NR	Z3030	A	17	White Die Set	—	U30RT (4)	U30RT (4)	U30RT (4)	C30R (1)	L30RT (1)
										Nest Indenter	A30D (2) Y34PR	U30DI (2) Y34PR	U30DI (2) Y34PR	U30DI (2) Y34PR	C30D (2) Y48PR	—
YFM31CR	YFM31CP	350 kcmil	1.34	11.69	2.38	Z31NR	Z3131	A	18	Red Die Set	—	U31RT (4)	U31RT (4)	U31RT (4)	C31R (1)	L31RT (1)
										Nest Indenter	A31D (2) Y34PR	U31DI (2) Y34PR	U31DI (2) Y34PR	U31DI (2) Y34PR	C31D (1) Y48PR	—
YFM32CR	YFM32CP	400 kcmil	1.34	11.69	2.38	Z32NR	Z3232	A	19	Blue Die Set	—	U32RT (4)	U32RT (4)	U32RT (4)	C32R (1)	L32RT (1)
										Nest Indenter	A32D (2) Y34PR	U32DI (2) Y34PR	U32DI (2) Y34PR	U32DI (2) Y34PR	C32D (2) Y48PR	—
YFM34CR	YFM34CP	500 kcmil	1.34	11.69	2.38	Z34NR	Z3434	A	20	Brown Die Set	—	U34RT (4)	U34RT (4) P34RT (4)	U34RT (4)	C34R (2)	L34RT (2)
										Nest Indenter	A34D (2) Y34PR	U34DI (2) Y34PR	U34DI (2) Y34PR	U34DI (2) Y34PR	C34D (2) Y48PR	—
YFM39CR	YFM39CP	750 kcmil	1.50	12.19	2.56	Z34NRB	Z3434	B	24	Black Die Set	—	U39RT (4)	U39RT (4) P39RT (4)	U39RT (4) S39RT (4)	C39R (2)	L39RT (2)
										Nest Indenter	—	—	P32D (2) P44PR	—	C39D (2) Y48PR	—

K-49

TYPE YFM-CPL

LONG MOLIMITER™ ASSEMBLY

With Ceramic Shell and Rubber Sleeve for Paper-Lead Cables



The Long MOLIMITER™ differs from the standard MOLIMITER™ only in its extra long cable socket. This socket, with the end seam sealed oil tight, is preferred by some for use on paper insulated cables. Time-current characteristics are shown in the technical section. For proper HYPRESS™ installation, see table below.

- For conductor sizes not listed call customer service.
- ① Y35P3 Indentor Adaptor required for Y34PR Indentor
 - ② Catalog number PUADP1 Adaptor is required to use "U" type dies in the Y46 series tools
 - ③ Catalog number PT6515 Adaptor is required to use "U" type dies in the Y45 series tools

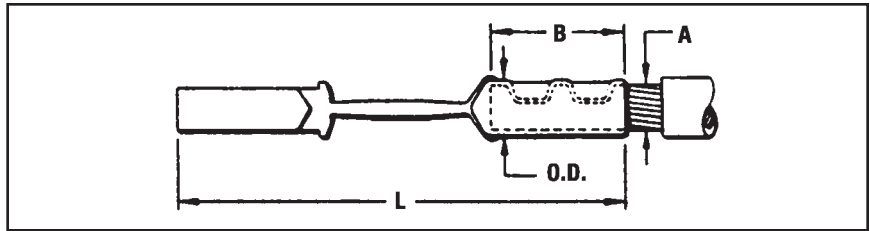
K-50

Catalog Number	Cable Size	Dimensions in Inches			For Connection to MOLE™ Use		MOLE™ Outlet Size	Installation Tooling (# Crimps)							
		(Max. Cable Dia. Over Insul.) A	L	O.D.	Socket & Nut Assembly	Z Cone		Die Information		Hydraulic					
								Die Index	Type ①	Y34A	750 Series, Y35, Y39	46 Series ②	Y45 ③	Y48B	60 Series
YFM28CPL	4/0 Str.	1.34	11.69	2.38	Z28NR	Z2828	A	15	Purple Die Set	—	U28RT (2)	U28RT (2)	U28RT (2)	C28R (2)	L28RT (1)
									Nest Indentor	A28D (1) Y34PR	U28DI (1) Y34PR	U28DI (1) Y34PR	U28DI (1) Y34PR	C28D (1) Y48PR	—
YFM29CPL	250 kcmil	1.34	11.69	2.38	Z29NR	Z2929	A	16	Yellow Die Set	—	U29RT (2)	U29RT (2)	U29RT (2)	C29R (2)	L29RT (1)
									Nest Indentor	A29D (2) Y34PR	U29DI (2) Y34PR	U29DI (2) Y34PR	U29DI (2) Y34PR	C29D (1) Y48PR	—
YFM30CPL	300 kcmil	1.34	11.69	2.38	Z30NR	Z3030	A	17	White Die Set	—	U30RT (4)	U30RT (4)	U30RT (4)	C30R (1)	L30RT (1)
									Nest Indentor	A30D (2) Y34PR	U30DI (2) Y34PR	U30DI (2) Y34PR	U30DI (2) Y34PR	C30D (2) Y48PR	—
YFM31CPL	350 kcmil	1.34	11.69	2.38	Z32NR	Z3132	A	18	Red Die Set	—	U31RT (4)	U31RT (4)	U31RT (4)	C31R (1)	L31RT (1)
									Nest Indentor	A31D (2) Y34PR	U31DI (2) Y34PR	U31DI (2) Y34PR	U31DI (2) Y34PR	C31D (1) Y48PR	—
YFM32CPL	400 kcmil	1.34	11.69	2.38	Z32NR	Z3232	A	19	Blue Die Set	—	U32RT (4)	U32RT (4)	U32RT (4)	C32R (1)	L32RT (1)
									Nest Indentor	A32D (2) Y34PR	U32DI (2) Y34PR	U32DI (2) Y34PR	U32DI (2) Y34PR	C32D (2) Y48PR	—
YFM34CPL	500 kcmil	1.34	11.69	2.38	Z34NR	Z3434	A	20	Brown Die Set	—	U34RT (4)	U34RT (4) P34RT (4)	U34RT (4)	C34R (2)	L34RT (2)
									Nest Indentor	A34D (2) Y34PR	U34DI (2) Y34PR	U34DI (2) Y34PR	U34DI (2) Y34PR	C34D (2) Y48PR	—
YFM39CPL	750 kcmil	1.50	12.19	2.56	Z34NRB	Z3434	B	24	Black Die Set	—	U39RT (4)	U39RT (4) P39RT (4)	U39RT (4) S39RT (4)	C39R (2)	L39RT (2)
									Nest Indentor	—	—	P32D (2) P44PR	—	C39D (2) Y48PR	—

TYPES YFMR, YFMP

MOLIMITER™

For Use with Long MOLIMITER™ Assembly



The MOLIMITER™ combines an accurately determined fusible section with both a MOLE™ Socket end and a cable socket. Designed to clear on overloads that would injure the cable insulation, the MOLIMITER™ may be easily and quickly replaced. For time current characteristics of MOLIMITER see the technical section. For proper HYPRESS™ installation, see table below.

For conductor sizes not listed call customer service.

*Paper Insulated Cable - Oil Tight Cable Sockets.

① Y35P3 Indentor Adaptor required for Y34PR Indentor

② Catalog number PUADP1 Adaptor is required to use "U" type dies in the Y46 series tools

③ Catalog number PT6515 Adaptor is required to use "U" type dies in the Y45 series tools

NOTE: To specify a fast acting limiter in any configuration insert an "F" before the conductor number e.g. YFSF34CR specifies a 1/2 thick limiter section.

For Use On		Cable Size A	Dimensions in Inches			For Connection to MOLE™ Use		MOLE™ Outlet Size	Installation Tooling (# Crimps)							
Rubber Insulated Cable	Paper Insulated Cable*		B	L	O.D.	Socket and Nut Assembly	Z Cone		Die Information		Hydraulic					
Catalog Number								Die Index	Type ①	Y34A	750 Series, Y35, Y39	46 Series ②	Y45 ③	Y48B	60 Series	
YFMR28	YFMP28	4/0 Str.	1.86	6.28	0.83	Z28NR	Z2828	A	15	Purple Die Set	—	U28RT (2)	U28RT (2)	U28RT (2)	C28R (2)	L28RT (1)
										Nest Indentor	A28D (1) Y34PR	U28DI (1) Y34PR	U28DI (1) Y34PR	U28DI (1) Y34PR	C28D (1) Y48PR	—
YFMR29	YFMP29	250 kcmil	1.88	6.19	0.84	Z29NR	Z2929	A	16	Yellow Die Set	—	U29RT (2)	U29RT (2)	U29RT (2)	C29R (2)	L29RT (1)
										Nest Indentor	A29D (2) Y34PR	U29DI (2) Y34PR	U29DI (2) Y34PR	U29DI (2) Y34PR	C29D (1) Y48PR	—
YFMR30	YFMP30	300 kcmil	2.00	6.81	0.96	Z30NR	Z3030	A	17	White Die Set	—	U30RT (4)	U30RT (4)	U30RT (4)	C30R (1)	L30RT (1)
										Nest Indentor	A30D (2) Y34PR	U30DI (2) Y34PR	U30DI (2) Y34PR	U30DI (2) Y34PR	C30D (2) Y48PR	—
YFMR31	YFMP31	350 kcmil	2.00	6.94	0.91	Z32NR	Z3132	A	18	Red Die Set	—	U31RT (4)	U31RT (4)	U31RT (4)	C31R (1)	L31RT (1)
										Nest Indentor	A31D (2) Y34PR	U31DI (2) Y34PR	U31DI (2) Y34PR	U31DI (2) Y34PR	C31D (1) Y48PR	—
YFMR32	YFMP32	400 kcmil	2.14	7.27	0.97	Z32NR	Z3232	A	19	Blue Die Set	—	U32RT (4)	U32RT (4)	U32RT (4)	C32R (1)	L32RT (1)
										Nest Indentor	A32D (2) Y34PR	U32DI (2) Y34PR	U32DI (2) Y34PR	U32DI (2) Y34PR	C32D (2) Y48PR	—
YFMR34	YFMP34	500 kcmil	2.75	8.26	1.13	Z34NR	Z3434	A	20	Brown Die Set	—	U34RT (4)	U34RT (4) P34RT (4)	U34RT (4)	C34R (2)	L34RT (2)
										Nest Indentor	A34D (2) Y34PR	U34DI (2) Y34PR	U34DI (2) Y34PR	U34DI (2) Y34PR	C34D (2) Y48PR	—
YFMR39	YFMP39	750 kcmil	2.88	8.75	1.38	Z34NRB	Z3434	B	24	Black Die Set	—	U39RT (4)	U39RT (4) P39RT (4)	U39RT (4) S39RT (4)	C39R (2)	L39RT (2)
										Nest Indentor	—	—	P32D (2) P44PR	—	C39D (2) Y48PR	—

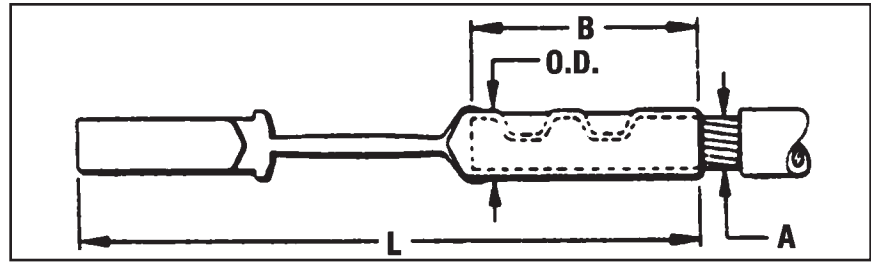
K-51

TYPE YFMP-L

LONG MOLIMITER™ ASSEMBLY

For Use with Long MOLIMITER™ Assembly

Similar to Type YFMR and YFMP except for a long oil tight cable socket preferred by some users of paper-insulated cable. Fusing characteristics shown in the technical sections. For proper HYPRESS™ installation, see table below



For conductor sizes not listed call customer service. To specify a fast acting limiter in any configuration insert an "F" before the conductor number (e.g., YFSF34CR specifies a 1/2 thick limiter section).

- ① Y35P3 Indentor Adaptor required for Y34PR Indentor
- ② Catalog number PUADP1 Adaptor is required to use "U" type dies in the Y46 series tools
- ③ Catalog number PT6515 Adaptor is required to use "U" type dies in the Y45 series tools

NOTE: To specify a fast acting limiter in any configuration insert an "F" before the conductor number e.g. YFSF34CR specifies a 1/2 thick limiter section.

Catalog No.	Cable Size	Dimensions in Inches			For Connection to MOLE™ Use		MOLE™ Outlet Size	Installation Tooling (# Crimps)							
		B	L	O.D.	Socket & Nut Assembly	Z Cone		Die Information		Hydraulic					
								Die Index	Type ①	Y34A	750 Series, Y35, Y39	46 Series ②	Y45 ③	Y48B	60 Series
YFMP28L	4/0 Str.	3.06	7.25	0.69	Z28NR	Z2828	A	15	Purple Die Set	—	U28RT (2)	U28RT (2)	U28RT (2)	C28R (2)	L28RT (1)
									Nest Indentor	A28D (1) Y34PR	U28DI (1) Y34PR	U28DI (1) Y34PR	U28DI (1) Y34PR	C28D (1) Y48PR	—
YFMP29L	250 kcmil	3.56	7.88	0.75	Z29NR	Z2929	A	16	Yellow Die Set	—	U29RT (2)	U29RT (2)	U29RT (2)	C29R (2)	L29RT (1)
									Nest Indentor	A29D (2) Y34PR	U29DI (2) Y34PR	U29DI (2) Y34PR	U29DI (2) Y34PR	C29D (1) Y48PR	—
YFMP30L	300 kcmil	3.67	8.48	0.81	Z30NR	Z3030	A	17	White Die Set	—	U30RT (4)	U30RT (4)	U30RT (4)	C30R (1)	L30RT (1)
									Nest Indentor	A30D (2) Y34PR	U30DI (2) Y34PR	U30DI (2) Y34PR	U30DI (2) Y34PR	C30D (2) Y48PR	—
YFMP31L	350 kcmil	3.69	8.66	0.88	Z32NR	Z3132	A	18	Red Die Set	—	U31RT (4)	U31RT (4)	U31RT (4)	C31R (1)	L31RT (1)
									Nest Indentor	A31D (2) Y34PR	U31DI (2) Y34PR	U31DI (2) Y34PR	U31DI (2) Y34PR	C31D (1) Y48PR	—
YFMP32L	400 kcmil	3.81	8.66	0.95	Z32NR	Z3232	A	19	Blue Die Set	—	U32RT (4)	U32RT (4)	U32RT (4)	C32R (1)	L32RT (1)
									Nest Indentor	A32D (2) Y34PR	U32DI (2) Y34PR	U32DI (2) Y34PR	U32DI (2) Y34PR	C32D (2) Y48PR	—
YFMP34L	500 kcmil	4.13	9.44	1.06	Z34NR	Z3434	A	20	Brown Die Set	—	U34RT (4)	U34RT (4) P34RT (4)	U34RT (4)	C34R (2)	L34RT (2)
									Nest Indentor	A34D (2) Y34PR	U34DI (2) Y34PR	U34DI (2) Y34PR	U34DI (2) Y34PR	C34D (2) Y48PR	—
YFMP39L	750 kcmil	4.19	10.38	1.31	Z34NRB	Z3434	B	24	Black Die Set	—	U39RT (4)	U39RT (4) P39RT (4)	U39RT (4) S39RT (4)	C39R (2)	L39RT (2)
									Nest Indentor	—	—	P32D (2) P44PR	—	C39D (2) Y48PR	—

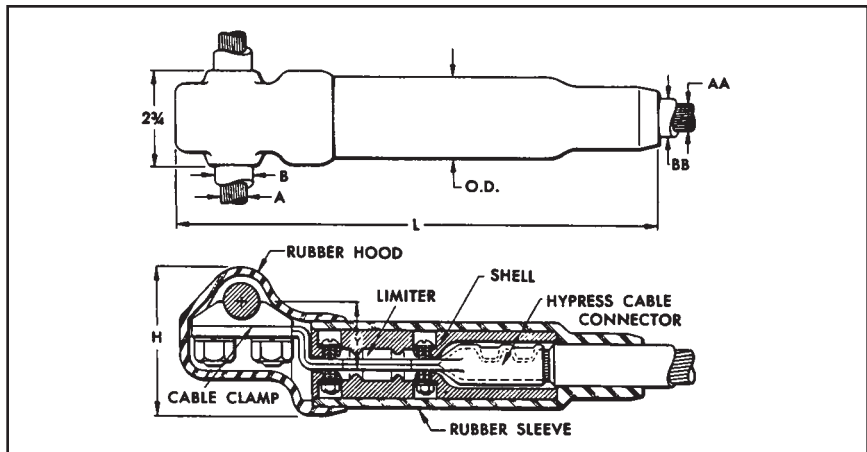
TYPE VYFT

LIMITER TAP ASSEMBLY

For Insulated Cables

The Limiter Tap is suitable for making Limiter connections to a cable ring bus in a manhole or transformer vault. It can be installed on oilimpregnated, paper insulated, or rubber insulated cable. Fusing characteristics of the Limiter are the same as Type YFA shown in the technical section. The rubber sleeve and insulating hood reduce taping to a minimum. Catalog Numbers shown include hoods. If no hood is required, eliminate one "C" from the Catalog Number. Replaceable Link Limiter Taps can be ordered. For proper HYPRESS™ installation, see table below.

Paper-Lead Cables If a long cable socket is preferred for use on paper insulated cable add



"L" to the catalog number (e.g., VYFT3428CCP becomes VYFT3428CCPL).

For Use on Rubber Insulated Cable	For Use on Paper Insulated Cable-Oil Tight Cable Socket	A Run	AA Tap	Dimensions in Inches					Installation Information		App. Ship Wt. in Lbs.	
				B Max. Cable Dia. Over Insul.	BB Max. Cable Dia. Over Insul.	H	L	Y	O.D.	HYPRESS™ & Indentor Die		No. of Indents
Catalog No.	Catalog No.									Y34BH with Y34PR		
										Nest Die		
VYFT3428CCR	VYFT3428CCP	500 kcmil	4/0 Str.	1.09	1.00	4.00	12.19	1.75	1.94	B28D	1	2.20
VYFT3434CCR	VYFT3434CCP	500 kcmil	500 kcmil	1.09	1.34	4.00	14.19	1.75	2.38	No Nest Die Req'd.	2	3.50
VYFT3934CCR	VYFT3934CCP	750 kcmil	500 kcmil	1.31	1.34	4.00	14.19	1.75	2.38		2	3.70
VYFT4434CCR	VYFT4434CCP	1000 kcmil	500 kcmil	1.08	1.34	4.13	14.19	2.09	2.38		2	4.00

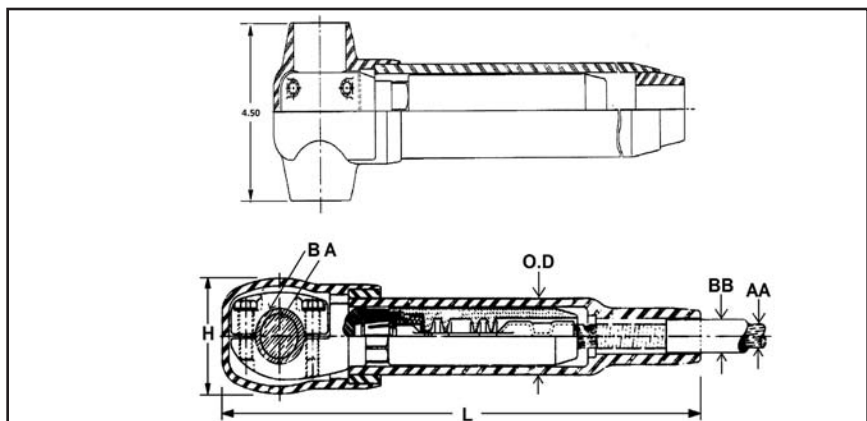
To specify a fast acting limiter in any configuration insert an "F" before the conductor number (e.g., YFSF34CR specifies a 1/2 thick limiter section).

TYPE NYFT

LIMITER TEE TAP

For Rubber or Paper Insulated Cables

The NYFT Limiter is similar to Type VYFT except the run conductor is clamped with a four bolt cap and the Limiter Tap is removable by means of a socket and nut assembly. The Limiter current characteristics are the same as Type YFA shown in the technical section.



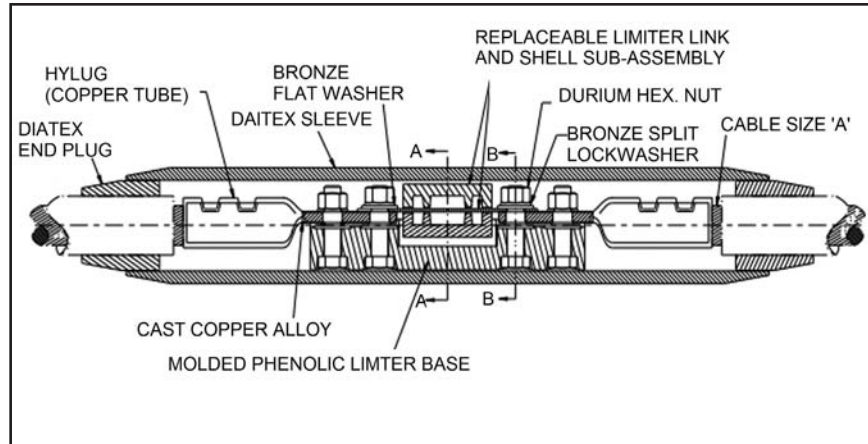
For Use on Rubber Insulated Cable	For Use on Paper Insulated Cable-Oil Tight Cable Socket	A Run	AA Tap	Dimensions in Inches					Installation Information		App. Ship Wt. in Lbs.	
				B Max. Cable Dia. Over Insul.	BB Max. Cable Dia. Over Insul.	H	L	O.D.	HYPRESS™ & Indentor Die	No. of Indents		
Catalog No.	Catalog No.									Y34BH with Y34PR		
										Nest Die		
NYFT3434CCR	NYFT3434CCP	500 kcmil	500 kcmil	1.89	1.25	2.91	16.78	2.41		No Nest Die Req'd.	2	2.20

TYPE LYS

REPLACEABLE LINK LIMITER

With Ceramic Shell and Rubber Sleeve for Insulated Cables

The Replaceable Link Limiter incorporates the functions of both fuse and coupler. For use with rubber and paper-insulated cable, it is designed to facilitate rapid and inexpensive replacement of Limiter Links upon clearing. It also permits, if desired, the use of a Link rated for a lower ampere capacity than supplied with our standard Limiter. For proper HYPRESS™ installation, see table below.



K-54

Catalog Number	Cable Size	** (Max. Cable Dia. Over Insul. Inches) A	Number of Indents in Cable Socket	* Link Supplied		Installation Information			
				Ampere Capacity	Catalog Number	No. of Indents	Installation Die Index Number		
LYS4CC	#4 Str.	0.50	1	75A	LF1010	1	95		
LYS2CC	#2 Str.			100A	LF1014		97		
LYS1CC	#1 Str.	100A		LF1014	98				
LYS25C	1/0 Str.	150A		LF1025	99				
LYS26C	2/0 Str.	150A		LF1025	100				
LYS27C	3/0 Str.	200A		LF2019	101				
LYS28C	4/0 Str.	1.00		250A	LF2027		15		
LYS29C	250 kcmil				LF2027		16		
LYS30C	300 kcmil	1.25		2	300A		LF2038	2	17
LYS31C	350 kcmil				300A		LF2038		18
LYS32C	400 kcmil		400A		LF2065	19			
LYS34C	500 kcmil					20			

* Fuse link supplied is selected on the basis of a minimum blowing current of approximately twice the NEC rubber insulated cable rating. Refer to Time Current curves shown and specify if another size is desired.

** The standard end bushing supplied is for maximum cable insulation diameters as shown. Compact cable will require a bushing with a smaller inside diameter to accommodate the smaller insulation diameter of the cable. If other than standard bushing is required, contact customer service.

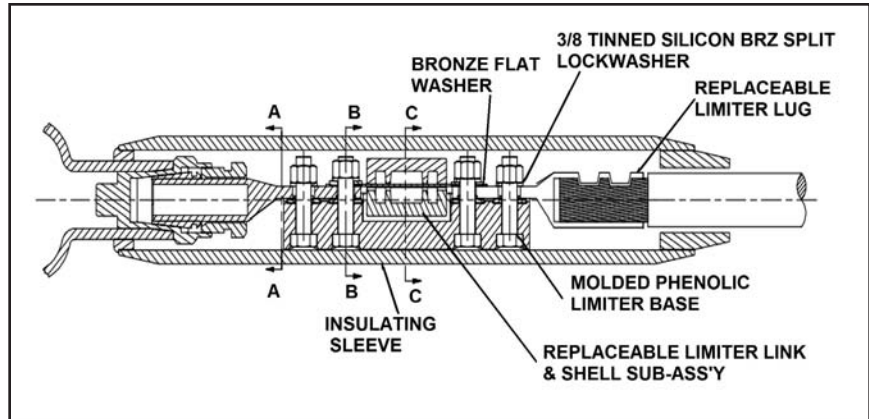
To specify a fast acting limiter in any configuration insert a "F" before the conductor number (e.g., YFSF34CR specifies a 1/2 thick limiter section).

TYPE LYM

**REPLACEABLE LINK
MOLIMITER™**

With Ceramic Shell and Rubber Sleeve for Insulated Cables

The Replaceable Link MOLIMITER™ is used to fuse underground cables at junction points with the BURNDY® MOLE. The "Replaceable Link" feature permits the selection of one of several links. In addition, the replacement of links that have burned clear is both rapid and inexpensive. For use with both rubber and paper insulated cables. The MOLE™ end of the MOLIMITER™ is installed in the MOLE™ Socket and Nut Assembly, while the cable socket end is HYPRESS™ installed, see table below for proper installation.



Catalog Number	Cable Size	** (Max. Cable Dia. Over Insul. Inches) A	Number of Indents in Cable Socket	* Link Supplied		For Connection to MOLE™ Use		Installation Information	
				Ampere Capacity	Catalog Number	Socket & Nut Assembly	Z Cone	No. of Indents	Installation Die Index Number
						Catalog Number	Catalog Number		
LYM2CC	2 Str.	0.75	1	100A	LF1014	Z28NR	Z2828	1	97
LYM1CC	1 Str.				LF1014				98
LYM25C	1/0 Str.				LF1025				99
LYM26C	2/0 Str.				LF1025				100
LYM27C	3/0 Str.	1.00	1	200A	LF2019				101
LYM28C	4/0 Str.			250A	LF2027				15
LYM29C	250 kcmil			250A	LF2027	Z29NR	Z2929		16
LYM30C	300 kcmil	1.25	2	300A	LF2038	Z30NR	Z3030	2	17
LYM31C	350 kcmil				LF2038	Z32NR	Z3132		18
LYM32C	400 kcmil			400A	LF2065	Z32NR	Z3232		19
LYM34C	500 kcmil				LF2065	Z34NR	Z3434		20

* Fuse link supplied is selected on the basis of a minimum blowing current of approximately twice the NEC rubber insulated cable rating. Refer to Time Current curves shown and specify if another size is desired.

** The standard end bushing supplied is for maximum cable insulation diameters as shown. Compact cable will require a bushing with a smaller inside diameter to accommodate the smaller insulation diameter of the cable. If other than standard bushing is required, contact customer service.

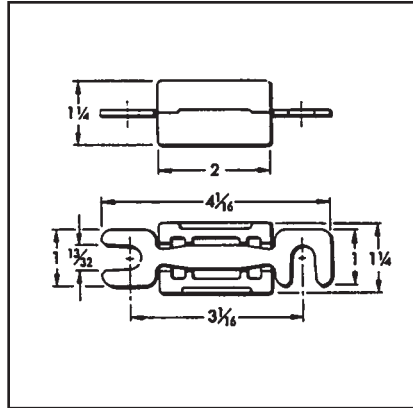
K-55

TYPE LF

LIMITER LINK

For Use with All Replaceable Limiters

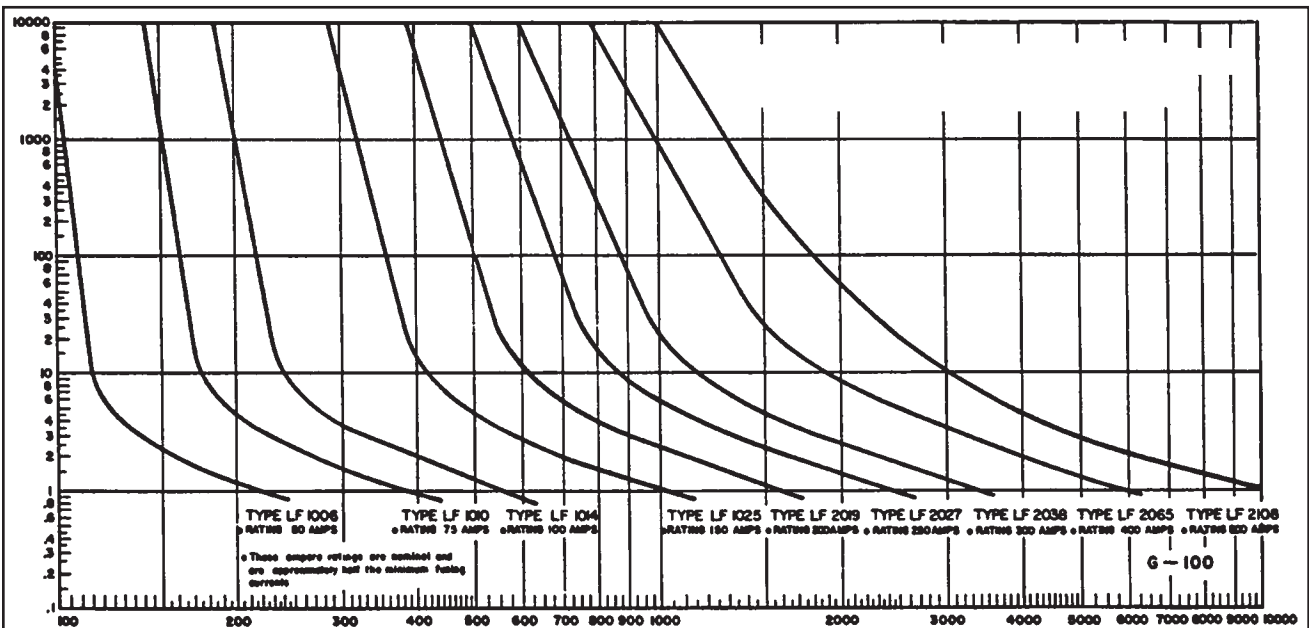
Made of pure copper, the Limiter Link is controlled dimensionally to close tolerances to maintain accurate fusing characteristics. Refer to Time-Current Characteristic curve shown below and specify rating desired. The Limiter Link is supplied enclosed in a shell with heatproof chamber to confine and break the arc created by fusing.



*Catalog Number	Ampere Capacity	App. Ship Wt. in Lbs.
LF1006	50A	0.08
LF1010	75A	0.08
LF1014	100A	0.08
LF1025	150A	0.08
LF2019	200A	0.09
LF2027	250A	0.09
LF2038	300A	0.11
LF2065	400A	0.12
LF2108	500A	0.15

* For use with LYS and LYM.

K-56



Current in Amperes
Time-Current Fusing Characteristics of Type LF Limiter Links

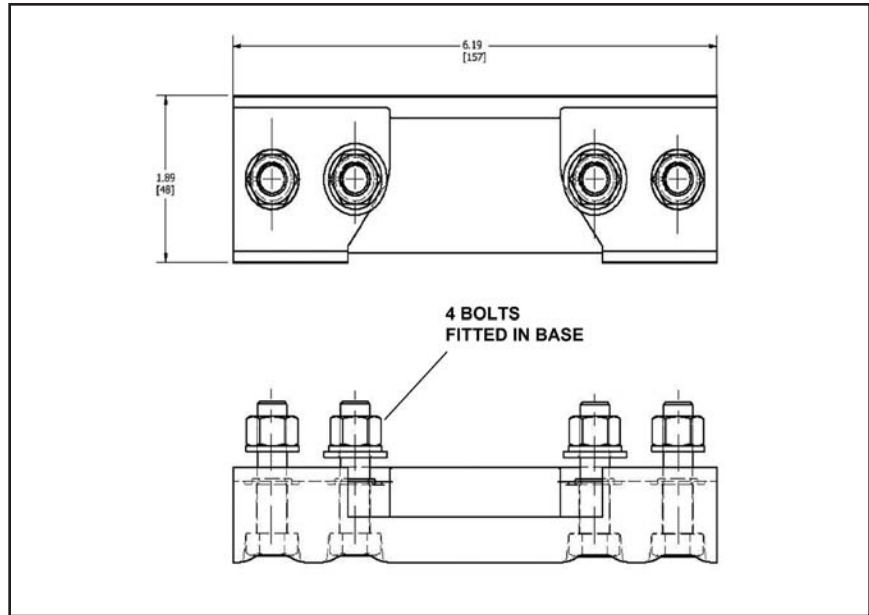
The nominal current ratings of these Limiter Links are approximately one-half the minimum currents required to clear the fuses. The general slope and shape of the curves are similar to those of the time-current curves of the Limiters. The Type LF Limiter Links are made of pure copper with dimensions carefully controlled in order to maintain accurate fusing characteristics.

TYPE LYBASEH

LIMITER BASE

For Use with all Replaceable Limiters

A heat resisting, high impact, molded phenolic base for mounting HYDENT™ Cable lugs or MOLIMITER™-lugs. The bases are supplied with bolts fitted in place with retaining rings, enabling the lugs to be easily assembled to BURNDY® Replaceable Limiter Links. They may be purchased separately for use with all Replaceable Limiters.



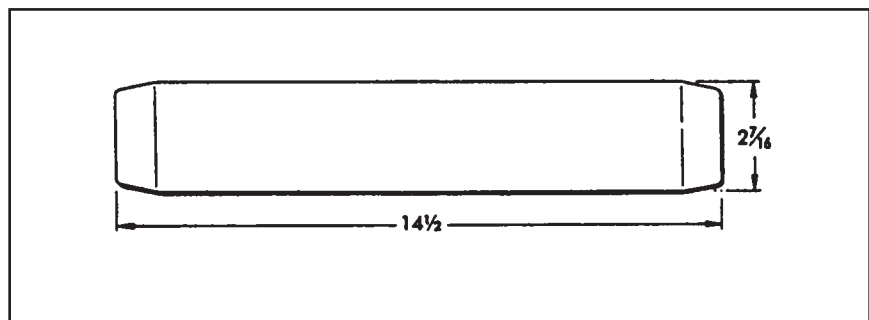
Catalog Number	For Use with	App. Ship Wt. in Lbs.
LYBASEH	LYM	0.32
	LYS	

TYPE LYS34P2

LIMITER SLEEVE

For Use With Replaceable Limiters

A molded sleeve for insulating the Replaceable Limiter and MOLIMITER™ assemblies. Similar to other component parts, the insulating sleeves may be purchased separately. These sleeves are used in conjunction with the LYS-P6 bushings.



K-57

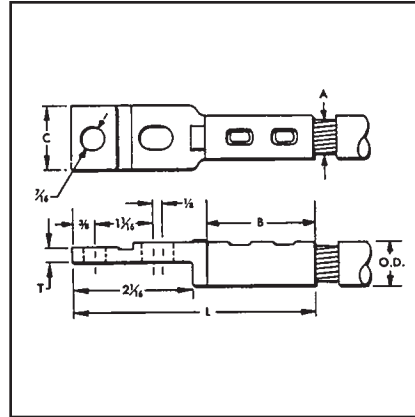
Catalog Number	For Use with	App. Ship Wt. in Lbs.
LYS34P2	LYS	1.20
	LYM	

TYPE LYS-P5

HYLUG™

For Use with Replaceable Limiters

Fabricated of high copper alloy, this terminal has a sealed cable socket for use with paper insulated, oil-impregnated cables as well as rubber-insulated cables. Tin plated to retard corrosion and prevent discoloration. The HYLUG™ is for use with LYS and LYM.



K-58

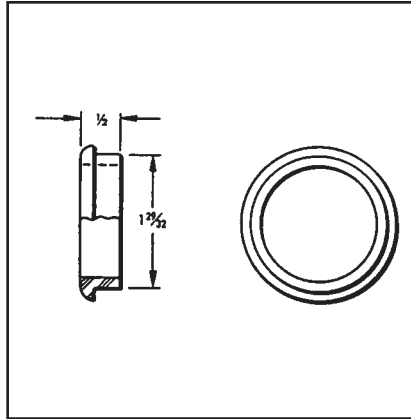
Catalog Number	Cable Size A	Dimensions in Inches					Installation Information	
		B	C	L	T	O.D.	No. of Indents	Installation Tool Index Number
LYS6CP5	#6 Str.	1-1/4	3/4	3-9/16	3/16	5/16	1	94
LYS4CP5	#4 Str.			3-5/8		11/32		95
LYS2CP5	#2 Str.	1-9/32		3-3/4		13/32		97
LYS1CP5	#1 Str.	1-3/8		3-29/32		15/32		98
LYS25P5	1/0 Str.			3-15/16		17/32		99
LYS26P5	2/0 Str.	1-1/2	13/16	4-1/16		9/16		100
LYS27P5	3/0 Str.		29/32	5/8		101		
LYS28P5	4/0 Str.	1-5/8	1-1/8	4-3/16		11/16		15
LYS29P5	250 kcmil					3/4		16
LYS30P5	300 kcmil	2	1-3/8	4-9/16		13/16		2
LYS31P5	350 kcmil				7/8	18		
LYS32P5	400 kcmil	2-1/8	1-9/16	4-11/16	31/32	19		
LYS34P5	500 kcmil	2-1/4		4-13/16	1-1/16	20		

TYPE LYM34P3

BUSHING

For Use with Replaceable Limiters

Type LYM34P3 is for assembly of Replaceable MOLIMITERS™ to the MOLE™ outlet. It fills the space between Limiter sleeve and the MOLE™ outlet to allow easy taping.



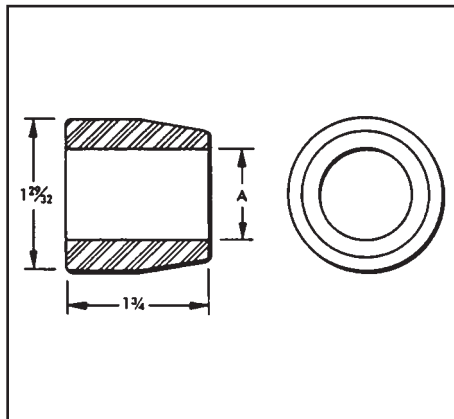
Catalog Number	For Use with	MOLE™ Outlet Size	App. Ship Wt. in Lbs.
LYM34P3	LYM	A	0.01
	LZM		

TYPE LYS-P6

BUSHING

For Use with Replaceable Limiters

The LYS-P6 bushing is designed to fit closely over the cable insulation when used with the LYS34P2 Limiter sleeve. It fills the space between the Limiter sleeve and cable. The tapered bushing facilitates taping at installation.



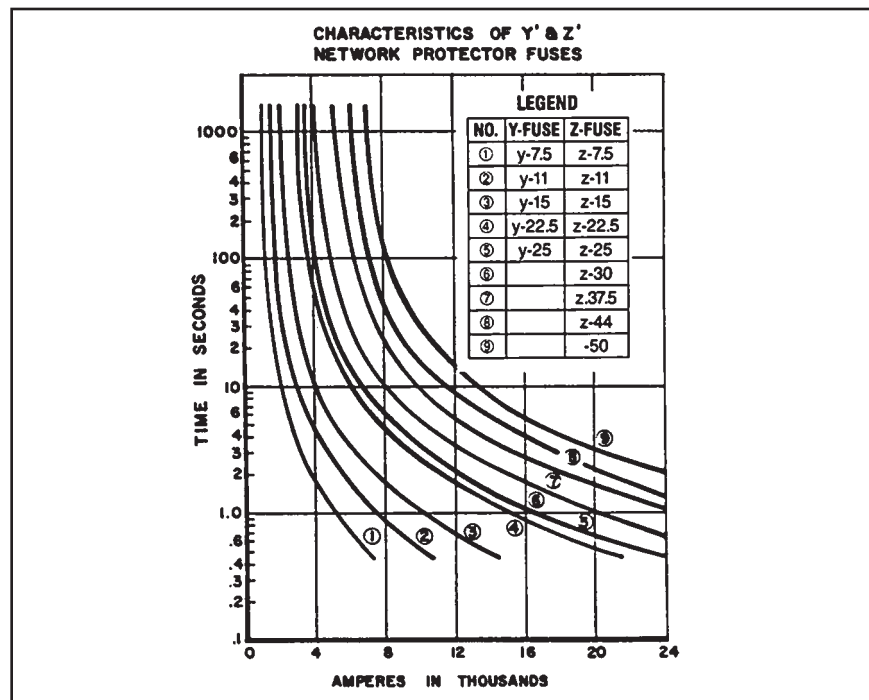
Catalog Number	(Max. Cable Dia. Over Insul.) A	For Use with	App. Ship Wt. in Lbs.
LYS32P6	1/2	LYS LYM	0.19
LYS48P6	3/4		0.19
LYS64P6	1		0.16
LYS80P6	1-1/4		0.12

K-59

TYPES Y, Z

NETWORK PROTECTOR FUSES AND CERAMIC ENCLOSURES

Type Z Network Protector Fuses are designed to coordinate with the fusible sections of the Limiters as well as the Protector characteristic itself. A Ceramic enclosure is designed especially to form an arcing chamber for these fuses. The ZH50C Enclosure is designed with high temperature glass observation windows to allow for easy viewing of the fusing element. The hole spacings in the tongues of these fuses are such that they will fit standard Network Protectors. See Time Current characteristic curve below. The Fuse element and the housing must be purchased separately.



K-60

Fuse Designation Catalog Number				Transformer Full Load (Normal) Amperes	Ceramic Enclosure
Y-Fuse Fig. 1	App. Ship. Wt. in Lbs.	Z-Fuse Fig.2	App. Ship. Wt. in Lbs.		
Y-7.5	0.45	Z-7.5	0.95	400	ZH50C
Y-11	0.46	Z-11	0.96	600	
Y-15	0.48	Z-15	0.98	800	
Y-22.5	0.50	Z-22.5	1.00	1200	
Y-25	0.63	Z-25	1.13	1333	
—	0.75	Z-30	1.25	1600	
Y-37.5	0.78	Z-37.5	1.28	2000	
—	—	Z-44	1.29	2500	
Y-50	0.80	Z-50	1.30	3000	

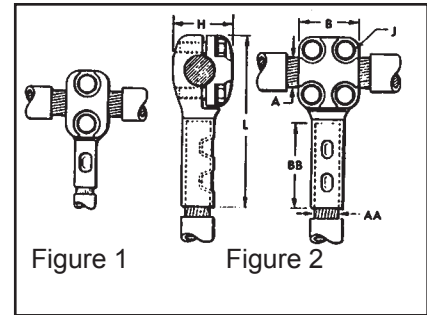
NYT

T-CONNECTOR

Cable Run — Cable Tap

A "T" connector designed to provide a clamp type element on the run and a permanent HYPRESS™ connection on the tap. Recommended for use on ring buses or for applications where occasional

disconnects from the run conductor are desired without disturbing the tap connection. Tin plated. For proper installation of tap cable, see table below.



Catalog Number	Conductor Size		Fig. No.	Dimensions in Inches					Installation Information			
									HYPRESS™ & Indentor Die		No. of Indents	App. Ship. Wt. in Lbs.
									Y34B with Y34PR			
Run A	Tap AA	B	BB	H	J	L	Nest Die					
NYT282C	4/0 AWG	2/0 AWG	1	1-3/8	1-1/4	1-3/8	3/8	3-3/16	B2CD	1	1.50	
NYT2825		1/0	1	1-3/8	1-3/8	1-3/8	3/8	4	B25D	1	1.50	
NYT2826		2/0 AWG	1	1-3/8	1-1/2	1-3/8	3/8	4-1/8	B26D	1	1.50	
NYT2828		4/0 AWG	2	2	1-5/8	1-3/8	3/8	4-5/16	B28D	1	2.20	
NYT292C	250 kcmil	2/0 AWG	1	1-3/8	1-1/4	1-7/16	3/8	3-3/16	B2CD	1	1.50	
NYT2925		1/0	1	1-3/8	1-3/8	1-7/16	3/8	4-1/16	B25D	1	1.50	
NYT2926		2/0 AWG	1	1-3/8	1-1/2	1-7/16	3/8	4-3/16	B26D	1	1.50	
NYT2928		4/0 AWG	2	2	1-5/8	1-7/16	3/8	4-3/8	B28D	1	2.20	
NYT2929	250 kcmil	2	2	1-5/8	1-7/16	3/8	4-7/16	B29D	1	2.20		
NYT3125	350 kcmil	1/0	1	1-3/8	1-3/8	1-1/2	3/8	4-1/8	B25D	1	1.50	
NYT3126		2/0 AWG	1	1-3/8	1-1/2	1-1/2	3/8	4-5/16	B26D	1	1.50	
NYT3128		4/0 AWG	2	2	1-5/8	1-1/2	3/8	4-1/2	B28D	1	2.20	
NYT3129		250 kcmil	2	2	1-5/8	1-1/2	3/8	4-9/16	B29D	1	2.20	
NYT3131	350 kcmil	2	2	2	1-1/2	3/8	5	B31D	2	2.50		
NYT3426	500 kcmil	2/0 AWG	1	1-3/8	1-1/2	1-5/8	3/8	4-7/16	B26D	1	1.70	
NYT3428		4/0 AWG	2	2	1-5/8	1-5/8	3/8	4-5/8	B28D	1	2.50	
NYT3429		250 kcmil	2	2	1-5/8	1-5/8	3/8	4-5/8	B29D	1	2.50	
NYT3431		350 kcmil	2	2	2	1-5/8	3/8	5-1/16	B31D	2	2.50	
NYT3434	500 kcmil	2	2	2-1/4	1-5/8	3/8	5-3/8	No Nest Die Req'd.	2	2.50		
NYT3926	750 kcmil	2/0 AWG	1	1-3/8	1-1/2	1-7/8	3/8	4-5/8	B26D	1	1.70	
NYT3928		4/0 AWG	2	2	1-5/8	1-7/8	3/8	4-13/16	B28D	1	2.50	
NYT3929		250 kcmil	2	2	1-5/8	1-7/8	3/8	4-13/16	B29D	1	2.50	
NYT3931		350 kcmil	2	2	2	1-7/8	3/8	5-1/4	B31D	2	2.50	
NYT3934	500 kcmil	2	2	2-1/4	1-7/8	3/8	5-9/16	No Nest Die Req'd.	2	2.70		
NYT3939	750 kcmil	2	2	2-7/8	1-7/8	3/8	6-1/4	—	2	3.00		
NYT4426	1000 kcmil	2/0 AWG	1	1-3/8	1-1/2	2-1/8	3/8	4-3/4	B26D	1	1.70	
NYT4428		4/0 AWG	2	2	1-5/8	2-1/8	3/8	4-15/16	B28D	1	2.50	
NYT4429		250 kcmil	2	2	1-5/8	2-1/8	3/8	5	B29D	1	2.50	
NYT4431		350 kcmil	2	2	2	2-1/8	3/8	5-7/16	B31D	2	2.50	
NYT4434	500 kcmil	2	2	2-1/4	2-1/8	3/8	5-3/4	No Nest Die Req'd.	2	2.70		
NYT4439	750 kcmil	2	2	2-7/8	2-1/4	3/8	6-3/8	—	2	3.00		
NYT4444	1000 kcmil	2	2	2-11/16	3	2-5/16	1/2	7	—	2	3.20	
NYT4628	1500 kcmil	4/0 AWG	2	2	1-5/8	2-11/16	3/8	5-3/8	B28D	1	4.70	
NYT4629		250 kcmil	2	2	1-5/8	2-11/16	3/8	5-7/16	B29D	1	4.70	
NYT4631		350 kcmil	2	2	2	2-11/16	3/8	5-7/8	B31D	2	4.70	
NYT4634		500 kcmil	2	2	2-1/4	2-11/16	3/8	6-3/16	No Nest Die Req'd.	2	4.70	
NYT4639	750 kcmil	2	2	2-7/8	2-11/16	3/8	6-3/4	—	2	5.20		
NYT4644	1000 kcmil	2	2	3	2-3/4	1/2	7-1/8	—	2	7.50		
NYT4646	1500 kcmil	2	2	2-11/16	3-3/16	2-3/4	1/2	7-11/16	—	2	8.00	

K-61

HIGH CAPACITY LIMITER - 200,000 AMPERES AT 600 VOLTS

The BURNDY® High Capacity Limiter is designed to economically protect electrical distribution systems from the destructive effect of high energy faults. The increasing number of 600 volt secondary network installations for industrial and commercial applications demand a cable limiter that can safely interrupt 200,000 amperes (symmetrical available) and one that will also completely coordinate with the higher voltage network protector fuses.

Available fault currents as high as 200,000 amperes rms at 600 volts across the fusible elements have been interrupted during tests on the BURNDY® High Capacity Limiter. The power factor during these tests was less than 15%, thereby imposing the most difficult clearing conditions. No external disturbance is experienced upon clearing fault currents from the "float" value to 200,000 amperes. The quartz tiller absorbs the intense energy generated by interrupting the fault current. The quartz fuses into tubular fulgurites, with a high dielectric strength, and forms an insulating barrier between the melted link sections. This action prevents restrike of the internal arc. The rugged aluminum housing and cast epoxy end seals provide a vessel that completely contains the developed energy.

The carefully developed time-current characteristics and rigid manufacturing tolerances assure proper coordination with the network protector fuses and the insulation damage characteristics of 4/0, 250, 350, 500 kcmil and 750 cable.

The High Capacity Limiter is available in four variations to accommodate a variety of installation practices. The Type HYS cable sockets at both ends, which allow for indenting to the cable ends with a hydraulic BURNDY® HYPRESS™. The HYA has an off-set lug on one end which permits back-to-back mounting on bus bar. They HYA also allows cable to installation with no off-set.

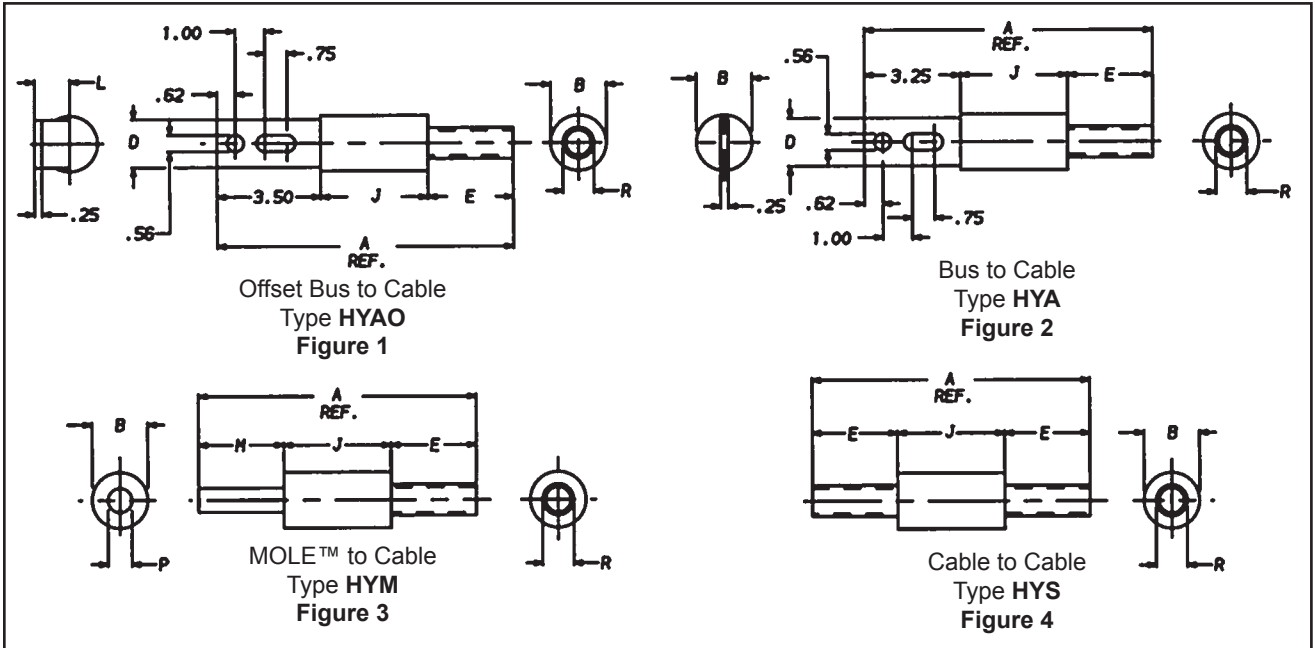
For those installations where BURNDY® MOLE™ connections are used for manhole junctions or transformer vault buses, the Type HYM permits a replaceable connection of the limiter director to the MOLE™ outlet at one end and a compression cable connection at the other.

Modern electrical distribution systems require low cost protection to safeguard costly equipment and quickly isolate faults, so that the undamaged portions of the system may function normally. BURNDY® High Capacity Limiters assure positive, economical protection when installed in properly designed systems.

NOTE: Today's fault currents are growing. If you need higher fault current ratings, please contact the factory.

HIGH CAPACITY LIMITER

200,000 AMPERES AT 600 VOLTS



④ Catalog Number	Cable Size	Fig. No.	A		B		D		E		J		L		M		P		R		Die Index	Die	No. of Crimps per End
			In	mm	In	mm	In	mm	In	mm	In	mm	In	mm	In	mm	In	mm	In	mm			
HYAO_28	4/0	1	8.87	225	1.44	37	1.12	28	1.75	44	3.62	92	0.96	24	—	—	—	—	0.68	17	15	U28RT	2
HYAO_29	250 kcmil	1	9.00	229	1.44	37	1.12	28	1.88	48	3.62	92	0.96	24	—	—	—	—	0.75	19	16	U29RT	2
HYAO_31	350 kcmil	1	9.12	232	1.62	41	1.12	28	2.00	51	3.62	92	0.96	24	—	—	—	—	0.88	22	18	U31RT	4
HYAO_34	500 kcmil	1	10.00	254	1.88	48	1.62	41	2.88	73	3.62	92	1.19	30	—	—	—	—	1.05	27	20	U34RT	4
HYAO_39	750 kcmil	1	10.13	257	2.50	64	2.00	51	2.88	73	3.75	95	1.31	33	—	—	—	—	1.32	34	24	U39RT	4
HYA_28	4/0	2	8.62	219	1.44	37	1.12	28	1.75	44	3.62	92	—	—	—	—	—	—	0.68	17	15	U28RT	2
HYA_29	250 kcmil	2	8.75	222	1.44	37	1.12	28	1.88	48	3.62	92	—	—	—	—	—	—	0.75	19	16	U29RT	2
HYA_31	350 kcmil	2	8.87	225	1.62	41	1.12	28	2.00	51	3.62	92	—	—	—	—	—	—	0.88	22	18	U31RT	4
HYA_34	500 kcmil	2	9.75	248	1.88	48	1.62	41	2.88	73	3.62	92	—	—	—	—	—	—	1.05	27	20	U34RT	4
HYA_39	750 kcmil	2	9.88	251	2.50	64	2.00	51	2.88	73	3.75	95	—	—	—	—	—	—	1.32	34	24	U39RT	4
HYM_28	4/0	3	7.87	200	1.44	37	—	—	1.75	44	3.62	92	—	—	2.50	64	0.52	13	0.68	17	15	U28RT	2
HYM_29	250 kcmil	3	8.00	203	1.44	37	—	—	1.88	48	3.62	92	—	—	2.50	64	0.58	14	0.75	19	16	U29RT	2
HYM_31	350 kcmil	3	8.12	206	1.62	41	—	—	2.00	51	3.62	92	—	—	2.50	64	0.68	17	0.88	22	18	U31RT	4
HYM_34	500 kcmil	3	9.38	238	1.88	48	—	—	2.88	73	3.62	92	—	—	2.88	73	0.81	21	1.05	27	20	U34RT	4
HYM_39	750 kcmil	3	9.51	242	2.50	64	—	—	2.88	73	3.75	95	—	—	2.88	73	1.00	25	1.32	34	24	U39RT	4
HYS_28	4/0	4	7.12	180	1.44	37	—	—	1.75	44	3.62	92	—	—	—	—	—	—	0.68	17	15	U28RT	2
HYS_29	250 kcmil	4	7.38	188	1.44	37	—	—	1.88	48	3.62	92	—	—	—	—	—	—	0.75	19	16	U29RT	2
HYS_31	350 kcmil	4	7.62	194	1.62	41	—	—	2.00	51	3.62	92	—	—	—	—	—	—	0.88	22	18	U31RT	4
HYS_34	500 kcmil	4	9.38	238	1.88	48	—	—	2.88	73	3.62	92	—	—	—	—	—	—	1.05	27	20	U34RT	4
HYS_39	750 kcmil	4	9.51	242	2.50	64	—	—	2.88	73	3.75	95	—	—	—	—	—	—	1.32	34	24	U39RT	4

Notes:

1. For insulated version add suffix "-C" to Catalog Number (example: HYMS34C).
 2. High Capacity Limiter. 200kA interrupting capacity at 600V AC.

3. Cable end utilize dies with Y35, Y39, Y46, Y45, Y750 tools (750 kcmil size units cannot be installed with the Y35 HYPRESS™).

④ For fast operating limiter use "F"; for slow or standard operating limiter use "S" before conductor number (example: HYMF34 or HYMS34) see Time-Current Characteristics.

5. For other conductor sizes, contact the factory.

PRODUCTS FOR UNDERGROUND RESIDENTIAL DISTRIBUTION SYSTEMS

For over 85 years, BURNDY has pioneered and produced economical, dependable connectors and protective devices for urban underground distribution systems. This extensive experience has been applied to the development of equipment for low cost underground distribution systems for light commercial and residential areas.

Increasing interest by home buyers and developers has created a need for URD components comparable in cost with those used in overhead systems.

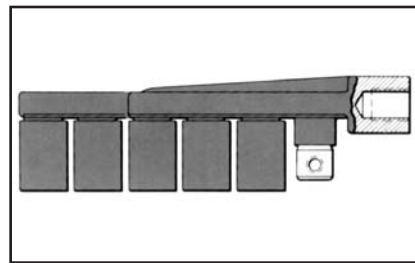
Using connectors designed for other purposes, early URD installations were relatively expensive. Recognizing the need to reduce installation costs, BURNDY developed a line of connectors specifically for URD.

These products are shown in this section. They are the result of a continuing search for new materials and more efficient production methods to bring down cost to meet the requirements of low cost underground construction.

TYPE RDMD-28G

URD STUD MOLE™

The RDMD-28G Stud MOLE™ is a sub-mersible junction designed to accommodate a range of copper and aluminum conductors. The Stud MOLE™ is designed for use on transformers where a dead front secondary is required. It is insulated with molded EPT rubber. Mates with a 5/8"-11 copper stud. A jam nut is supplied with the MOLE™ to secure and lock it to the stud. It is available with either four or six outlets. All outlets



except one have factory installed removable sealing caps. Tap kits are ordered separately. REA listed.

Also available without insulation and sealing caps.

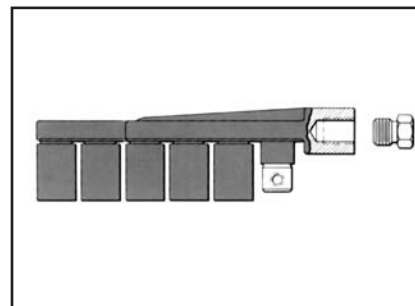
Catalog Number	Number of Outlets	Insulated
RDMD4-28G3	4	Yes

K-64

TYPE RDMD-2858D

STUD MOLE™

The RDMD-2858D Stud MOLE™ is identical to the insulated RDMD-28G except an adapter is supplied, allowing MOLE™ to be removed from transformer stud without disconnecting the individual services.



Catalog Number	Number of Outlets	Insulated
RDMD4-2858D	4	Yes

TYPE RDMD-28CR

RUBBER INSULATING BOOT

The EPDM rubber force fit boot is designed to provide a completely dead-front and moisture tight installation when used with either the Type RDMD-28G3 or Type RDMD-2858D Stud MOLE™. Bushing end will seal any diameter from 0.875 to 1.125 inch.

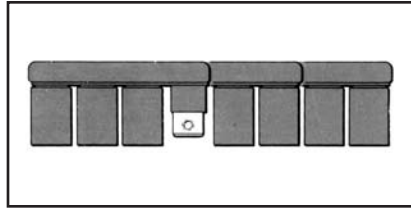


Catalog Number : RDMD-28CR

TYPE RDM-28

URD MOLE™

For Aluminum or Copper



Type RDM-28 MOLE™ is an economical, insulated, submersible service junction suitable for direct burial or for use in enclosures. Disconnectable joints allow additions of new services without disturbing previous installations. Taping is eliminated, heat-shrink or force-fit rubber

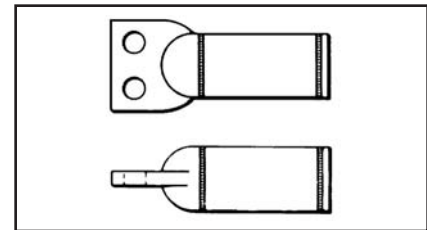
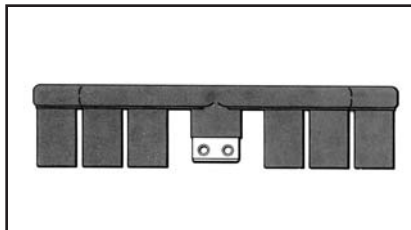
sleeves insulate each joint. Rubber is used to insulate the MOLE™ body. Removable sealing covers are supplied on all outlets but two. REA listed Tap Kits, including HYLUG™, hardware and sleeve are ordered separately.

Catalog Number	Number of Outlets
RDM4-28	4
RDM6-28	6
RDM8-28	8

TYPE RDM-28T

URD MOLE™

For Aluminum and Copper



The RDM-28T MOLE™ is available with five or seven outlets. The single hole outlets are the same size as the RDM-28 series and accommodate the same RYA-UC or RYA-UCR tap kits. The larger two-hole outlet accommodates the 500 or 350 kcmil copper cable secondary supplied with many subsurface transformers. These cables are extended to a junction point where secondary mains or services are connected. Tin-plated copper RYA-C-2 tap kits are used to join the 500 or 350 kcmil copper secondaries to the RDM-28T MOLE™.

Catalog Number	Number of Outlets	
	12 Sol. - 350	350 - 500
RDM5-28T	4	1

Catalog Number		Copper Conductor	Die Index	Tools, Die Set, Catalog No. & (No. of Crimps)
Heat Shrink	Force Fit			Y35* Series Y750, 739
RYA31C-2	RYA31CR-2	350	20	U34RT (4)
RYA34C-2	RYA34CR-2	500		

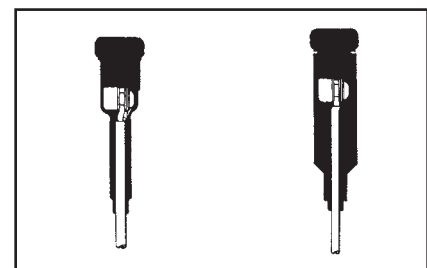
*Y35 U Dies with adapter PT6515 can also be used in Y45 series HYPRESS™. Same number of crimps as Y35.

K-65

TYPES RA6UC-SL, RA6UCR-SL

URD STREET LIGHTING TAP KIT

FOR ALUMINUM OR COPPER



URD tap kit for making street lighting taps from URD MOLE™ types RDM-28 and RDM-28T. Each kit accommodates 6 str. - 12 sol. Kits include connector, mounting hardware and insulating sleeve.

Catalog Number		Conductor
Heat Shrink	Force Fit	
RA6UC-SL	RA6UCR-SL	6 Str. - 12 Sol.

TYPES RYA-UC, RYA-AC

MOLE™ TAP KITS

For Aluminum or Copper with Type RDM-28 URD MOLE™

The kit consists of Universal HYLUG™, mounting hardware and heat-shrink sleeve. The HYLUG™ is pre-filled with PENETROX™ joint compound and sealed. Installed with common installation tools, three die sets install a range of 4 str.- 350 kcmil. The heatshrink sleeve is lined with a mastic material, providing a positive seal. Installed with standard propane torch, or 500°F electric heat gun. Acetylene heat is too intense and is not recommended.



TYPES RYA-UC, RYA-AC



TYPES RYA-UCR, RYA-ACR

TYPES RYA-UCR, RYA-ACR

The kit consists of Universal HYLUG™, mounting hardware and pre-lubricated forcefit rubber sleeve. The HYLUG™ is pre-filled with PENETROX™ joint compound and sealed. Installed with common installation tools, three die sets install a range of 4 str.- 350 MCM. The rubber sleeve has internal sealing rings that provide a positive moisture seal by exerting circumferential force on cable and MOLE™ insulation. Pre-lubricating sleeve makes installation easier. REA listed. No trimming required.

Catalog Number			Conductor		EEI Die Index	Die Index	Tools, Die Set Catalog Number & (Number of Crimps)		
Heat Shrink		Force Fit	Copper	Aluminum			MD6 Series	Y39, Y35, Y750 Series	OUR840
Complete Set	Shrink Sleeve Only	Complete Set							
RYA4UC	RYAC25	RYA4UCR	2 Sol.- 4 Str.	2 Sol. - 4 Str. 4 Str. Comp.	8A	BG or 5/8-1 or 243	W-BG (1) BG3 or W243	U-BG (1) UK58-IT (3) U243 (1)	XBG (3) XNBG (2)
RYA2UC	RYAC25	RYA2UCR	2 Str. - 1/0 Sol.	2 Str. - 1/0 Sol. 2-1 Str. Comp.					
RYA25UC	RYAC25	RYA25UCR	1/0 Str.	1/0 Str. - 2/0 Sol. 1/0 Str. Comp.					
RYA2WAC	RYAC25	RYA2WACR	—	2 Sol. EC-O	—	BG	BG (5)	—	XBG (5) XNBG (3)
RYA75AC	RYAC25	RYA75ACR	—	1/0 Sol. EC-O	—	—	—	UK58-IT (5)	X249 (6) X840 (5)
RYA26UC	RYA31	RYA26UCR	2/0 Str.	2/0 Str. 2/0 Str. Comp.	11	249 or 840	W249 (3) WK840 (5)	U249 (2) UK840T (3)	X249 (8) X840 (7)
RYA27UC	RYA31	RYA27UCR	3/0 Str.	3/0 Str. 3/0 Str. Comp. 4/0 Sol. EC-O	11		W249 (4) WK840 (7)	U249 (2) UK840T (4)	X249 (8) X840 (7)
RYA28UC	RYA31	RYA28UCR	4/0 Str.	4/0 Str. 4/0 Str. - 250 Comp.	11		—	—	—
RYA29UC	RYA31	RYA29UCR	250 kcmil	250 250 Comp.	13A	299 or 655 or 705	—	U31ART (2) U655 (3) U705 (2)	—
RYA31AC	RYA31	RYA31ACR	—	300 - 350 300 - 350 Comp.	13A	—	—	—	—

* Overlap Crimps.

** Do not use EEI Die. (11A) to install 4/0 Sol. EC-O.

NOTE: Standard mounting hardware is 3/8" button head socket cap screw with captive conical washer. For HEX HEAD bolt with captive conical washer add "HEX" suffix.

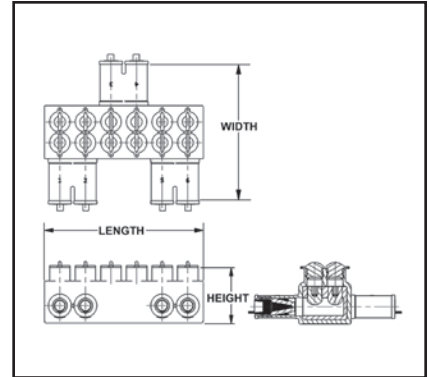
NOTE: Example: RYA4UCR-HEX. For HEX HEAD bolt and captive flat washer add suffix "HEX1". For HEX HEAD bolt and non-captive flat washer add suffix "HEX2". For HEX HEAD bolt and non-captive conical washer add suffix "HEX3". For Stainless Steel HEX HEAD bolt add "HEX355" suffix.

TYPE BSSBC

**RUBBER INSULATED
SECONDARY CONNECTORS**

For Aluminum and Copper
Conductors

Rubber Insulated and dual rated for aluminum and copper conductors.



Features and Benefits

- Meets the performance requirements of ANSI C119.1, ANSI C119.4 and Western Underground Committee Guide 2.5
- Fully tested to ANSI C119.4 for Class 'A' connectors
- Includes oxide inhibitor
- Supplied with aluminum set screws
- Fabricated from 6061-T6 aluminum alloy for conductivity and strength
- Each unit is individually wrapped and labeled for ease of identification and cleanliness

Catalog Number	Number of Outlets	Wire Range (Aluminum or Copper)	Width	Height	Length
BSSBC750-2-1	3	2 - 750	8.50	3.07	4.57
BSSBC750-3-1	4	2 - 750	8.50	3.07	6.13
BSSBC750-4-1	5	2 - 750	8.50	3.07	7.69
BSSBC750-4-2	6	2 - 750	8.50	3.07	9.25
BSSBC750-6-2	8	2 - 750	8.50	3.07	10.81

K-67

TYPES BSSBC, BDESS

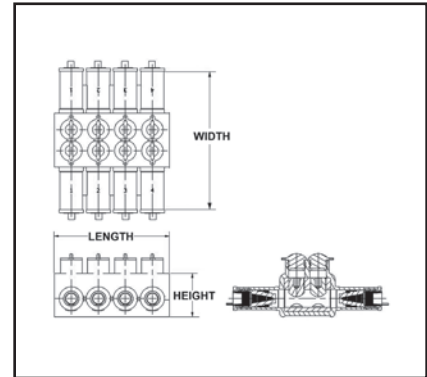
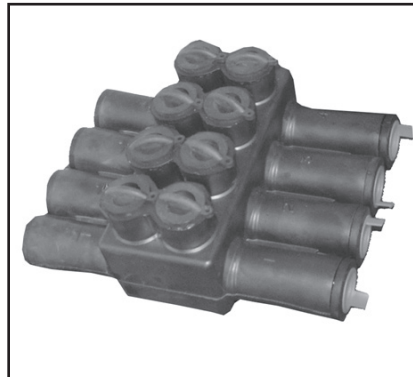
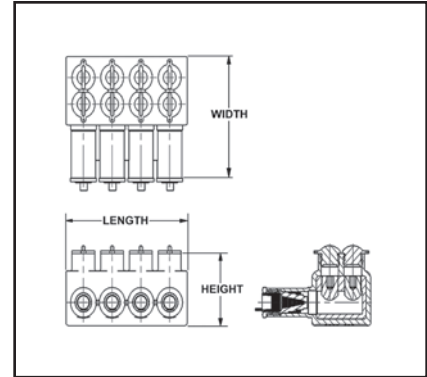
SUBMERSIBLE SECONDARY CONNECTORS

For Aluminum and Copper Conductors

Rubber Insulated and dual rated for aluminum and copper conductors.

Features and Benefits

- Meets the performance requirements of ANSI C119.1, ANSI C119.4 and Western Underground Committee Guide 2.5
- Fully tested to ANSI C119.4 for Class 'A' connectors
- Includes oxide inhibitor
- Supplied with aluminum set screws
- Fabricated from 6061-T6 aluminum alloy for conductivity and strength
- Each unit is individually wrapped and labeled for ease of identification and cleanliness



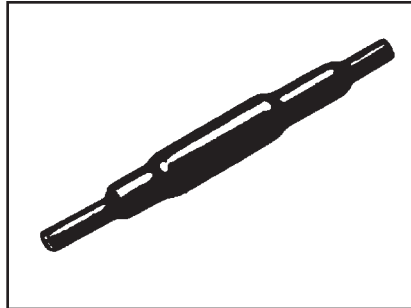
K-68

Catalog Number*	Number of Outlets	Wire Range (Aluminum or Copper)	Width	Height	Length
BSSBC750-3	3	2 - 750	5.42	3.07	4.57
BSSBC750-4	4	2 - 750	5.42	3.07	6.13
BSSBC750-5	5	2 - 750	5.42	3.07	7.69
BSSBC750-6	6	2 - 750	5.42	3.07	9.25
BSSBC750-7	7	2 - 750	5.42	3.07	10.81
BSSBC750-8	8	2 - 750	5.42	3.07	12.37
BDESS750-3	6	2 - 750	8.15	3.07	4.57
BDESS750-4	8	2 - 750	8.15	3.07	6.13
BDESS750-5	10	2 - 750	8.15	3.07	7.69
BDESS750-6	12	2 - 750	8.15	3.07	9.25
BDESS750-7	14	2 - 750	8.15	3.07	10.81
BDESS750-8	16	2 - 750	8.15	3.07	12.31

TYPE YS-CG

URD INSULATED SPLICE KIT

For All Aluminum or Copper/Aluminum Combinations



Type YS-CG URD insulated splice kit consists of a standard YSU or YSD LINKIT™ and a heat-shrink sleeve. Used to splice URD secondary lines up to 600 volts. It is installed with common installation tools. Heat-shrink sleeve is installed with standard propane torch, or 500° F electric heat gun. Acetylene is not recommended.

Catalog Number		Conductor			Die Index	Tools, Die Set Catalog Number, & (No. of Crimps)	
Complete Splice Kit	Heat Shrink Sleeve	Both Sides				MD6 Series	Y35 Series
		Aluminum	ACSR	Copper *			
YS2UCG1	RYAC25	1-2 Str.	2 (6-1, 7-1)	1-2 Str.	BG 243	BG (3) W-BG (1)** W243 (2)	U-BG(1)** U243 (1)
YS25UCG1		1/0 Str. 1/0 Comp.	1/0 (6-1)	1/0 Str.			
YS26UCG1	RYAC31-1	2/0 Str. 2/0 Comp.	2/0 (6-1)	2/0 Str.	249/840	W249 (4) W-K840 (7)	U249 (2) U-K840T (4)
YS27UCG1		3/0 Str. 3/0 Comp.	3/0 (6-1)	3/0 Str.			
YS28UCG1		4/0 Str. 4/0 Comp.	4/0 (6-1)	4/0 Str.			
YS31ACG1	RYAC31	350 350 Comp.	—	350	299/705	—	U299 (2) U705 (1)

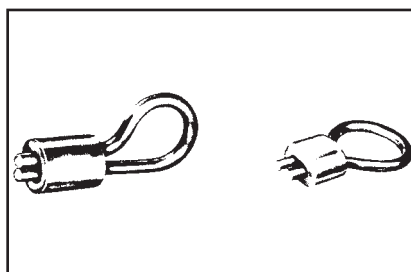
* Use to join copper to aluminum or ACSR not copper to copper.
 ** Multiple crimp die set makes more than one crimp per compression.

K-69

TYPES J1207 & J1592

Y-LOK

For Locking Enclosure



Assembly consists of aluminum-clad steel wire loop and a compression type aluminum connector. Installed with BG groove of MD6 or OUR840 Compression Tools. Can also be installed with 5/8 or 5/8-1 grooves.

J1207 & J1592

Compression Y-LOK installed with BG or 5/8 groove.

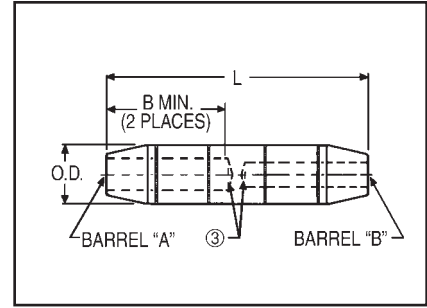
Catalog Number	Installation Tooling		L	C	D
	MD6, OUR840	Y35, Y750, Y46			
J1207	WBG	UBG	2.28	0.75	1.00
J1592	XBG		2.31	0.75	0.75

TYPE YRB-U

HYREDUCER™ SPLICE

For Aluminum to Aluminum and Aluminum to Copper

Type YRB-U splice is designed for use within underground systems. Aluminum splices are tin-plated and recommended for use on Aluminum-to-Aluminum and Aluminum-to-Copper cables. All



splices have solid center stop for use with oil filled and non-oil filled cables. The Outside Diameter is held constant to minimize installation dies and

connectors are prefilled with PENETROX™. Rated up to 35 kV.

K-70

Catalog Number	Conductor Range		Dimensions		O.D.	Wire Strip Length		Die Index	Color Code
	Barrel "A" Copper & Aluminum	Barrel "B" Copper & Aluminum	B Min.	L		Barrel "A"	Barrel "B"		
YRB2U3TTN	#2 (.292 Dia.) 7 Str.	#3 (.260 Dia.) 7 Str.	1.35 [34]	3.25 [83]	0.65 [17]	1-3/4"	1-3/4"	296	Tan
YRB1CU2TTN	#1 (.332 Dia.) 19 Str. or 1/0 Compact (.336 Dia.) 19 Str.	#2 (.292 Dia.) 7 Str.							
YRB1CU1TTN	#1 (.332 Dia.) 19 Str. or 1/0 Compact (.336 Dia.) 19 Str.	#1 (.332 Dia.) 19 Str. or 1/0 Compact (.336 Dia.) 19 Str.							
YRB25U3TTN	1/0 (.373 Dia.) 19 Str. or 1/0 Compact (.336 Dia.) 19 Str.	#3 (.260 Dia.) 7 Str.							
YRB25U2TTN	1/0 (.373 Dia.) 19 Str. or 1/0 Compact (.336 Dia.) 19 Str.	#2 (.292 Dia.) 7 Str.							
YRB25U25TTN	1/0 (.373 Dia.) 19 Str. or 1/0 Compact (.336 Dia.) 19 Str.	1/0 (.373 Dia.) 19 Str. or 1/0 Compact (.336 Dia.) 19 Str.	1.53 [39]	3.69 [94]	0.85 [22]	1-1/2"	1-1/2"	298	White
YRB27U25TW	3/0 (.470 Dia.) 19 Str. or 3/0 Compact (.423 Dia.) 19 Str.	1/0 (.373 Dia.) 19 Str. or 1/0 Compact (.336 Dia.) 19 Str.							
YRB28U3TW	4/0 (.528 Dia.) 19 Str. or 4/0 Compact (.475 Dia.) 19 Str.	#3 (.260 Dia.) 7 Str.							
YRB28U1TW	4/0 (.528 Dia.) 19 Str. or 4/0 Compact (.475 Dia.) 19 Str.	#1 (.332 Dia.) 19 Str. or 1/0 Compact (.336 Dia.) 19 Str.							
YRB28U25TW	4/0 (.528 Dia.) 19 Str. or 4/0 Compact (.475 Dia.) 19 Str.	1/0 (.373 Dia.) 19 Str. or 1/0 Compact (.336 Dia.) 19 Str.							
YRB28U26TW	4/0 (.528 Dia.) 19 Str. or 4/0 Compact (.475 Dia.) 19 Str.	2/0 (.419 Dia.) 19 Str. or 2/0 Compact (.376 Dia.) 19 Str.	1.53 [39]	3.69 [94]					
YRB28U28TW	4/0 (.528 Dia.) 19 Str. or 4/0 Compact (.475 Dia.) 19 Str.	4/0 (.528 Dia.) 19 Str. or 4/0 Compact (.475 Dia.) 19 Str.							
YRB31U25TW	350 kcmil (.681 Dia.) 37 Str. or 350 kcmil Compact (.616 Dia.) 19 Str. Al; 37 Str. Al & Cu	1/0 (.373 Dia.) 19 Str. or 1/0 Compact (.336 Dia.) 19 Str.							
YRB31U28TW	350 kcmil (.681 Dia.) 37 Str. or 350 kcmil Compact (.616 Dia.) 19 Str. Al; 37 Str. Al & Cu	4/0 (.528 Dia.) 19 Str. or 250 kcmil Compact (.520 Dia.) 37 Str.	2.34 [59]	5.43 [138]	1.11 [28]	2-1/4"	2-1/4"	299	Brown
YRB31U31TW	350 kcmil (.681 Dia.) 37 Str. or 350 kcmil Compact (.616 Dia.) 19 Str. Al; 37 Str. Al & Cu	350 kcmil (.681 Dia.) 37 Str. or 350 kcmil Compact (.616 Dia.) 19 Str. Al; 37 Str. Al & Cu							

- 1 Material: Aluminum.
- 2 Finish: Electro-tin plated.
- ③ Barrels are partially filled with PENETROX™ and sealed.
- 4 Scratch brushing of all conductors before making installation is recommended.
- 5 Not for use with Copper-to-Copper applications.
- 6 Dimensions in brackets [] are in millimeters rounded off to the nearest millimeter, unless otherwise noted and are for reference only.

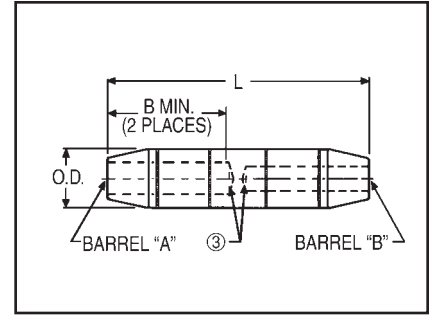
- ⑦ Catalog number PT6515 Adaptor is required to use "U" dies in Y45 series tools.
- ⑧ Catalog number PUADP-1 Adaptor is required to use "U" dies in Y46 series tools.
- 9 On MY29-3 HYTOOL™ use alum. Index plate settings as follows,
for 1/0 conductor use 1/0 setting. For conductor smaller than 1/0 size use
2/0 setting.

TYPE YRB-U

HYREDUCER™ SPLICE

(Continued)

For Aluminum to Aluminum and
Aluminum to Copper



Catalog Number	Conductor Range		Dimensions		O.D.	Wire Strip Length		Die Number	Color Code
	Barrel "A" Copper & Aluminum	Barrel "B" Copper & Aluminum	B Min.	L		Barrel "A"	Barrel "B"		
YRB34U25TW	500 kcmil (.813 Dia.) 37 Str. or 500 kcmil Compact (.736 Dia.) 19 Str. Al; 37 Str. Al & Cu	1/0 (.373 Dia.) 19 Str.	2.70 [69]	6.00 [152]	1.31 [33]	1-1/8"	1-1/8"	300	Pink
YRB34U28TW	500 kcmil (.813 Dia.) 37 Str. or 500 kcmil Compact (.736 Dia.) 19 Str. Al; 37 Str. Al & Cu	4/0 (.528 Dia.) 19 Str. or 4/0 Compact (.475 Dia.) 19 Str.							
YRB34U29TW	500 kcmil (.813 Dia.) 37 Str. or 500 kcmil Compact (.736 Dia.) 19 Str. Al; 37 Str. Al & Cu	250 kcmil (.575 Dia.) 37 Str.							
YRB34U30TW	500 kcmil (.813 Dia.) 37 Str. or 500 kcmil Compact (.736 Dia.) 19 Str. Al; 37 Str. Al & Cu	300 kcmil (.630 Dia.) 37 Str.							
YRB34U31TW	500 kcmil (.813 Dia.) 37 Str. or 500 kcmil Compact (.736 Dia.) 19 Str. Al; 37 Str. Al & Cu	350 kcmil (.681 Dia.) 37 Str. or 350 kcmil Compact (.616 Dia.) 19 Str. Al; 37 Str. Al & Cu							
YRB34U34TW	500 kcmil (.813 Dia.) 37 Str. or 500 kcmil Compact (.736 Dia.) 19 Str. Al; 37 Str. Al & Cu	500 kcmil (.813 Dia.) 37 Str. or 500 kcmil Compact (.736 Dia.) 19 Str. Al; 37 Str. Al & Cu							
YRB39U31TW	700 kcmil (.964 Dia.) 61 Str., 750 kcmil (.998 Dia.) 61 Str. or 750 kcmil Compact (.908 Dia.) 61 Str.	350 kcmil (.681 Dia.) 37 Str. or 350 kcmil Compact (.616 Dia.) 19 Str. Al; 37 Str. Al & Cu	2.87 [73]	6.74 [171]	1.46 [37]	3"	3-11/16"	936	Yellow
YRB39U34TW	700 kcmil (.964 Dia.) 61 Str., 750 kcmil (.998 Dia.) 61 Str. or 750 kcmil Compact (.908 Dia.) 61 Str.	500 kcmil (.813 Dia.) 37 Str. or 500 kcmil Compact (.736 Dia.) 19 Str. Al; 37 Str. Al & Cu							
YRB39U39TW	700 kcmil (.964 Dia.) 61 Str., 750 kcmil (.998 Dia.) 61 Str. or 750 kcmil Compact (.908 Dia.) 61 Str.	700 kcmil (.964 Dia.) 61 Str., 750 kcmil (.998 Dia.) 61 Str. or 750 kcmil Compact (.908 Dia.) 61 Str.							
YRB44U31TW	1000 kcmil (1.152 Dia.) 61 Str.	350 kcmil (.681 Dia.) 37 Str. or 350 kcmil Compact (.616 Dia.) 19 Str. Al; 37 Str. Al & Cu							
YRB44U34TW	1000 kcmil (1.152 Dia.) 61 Str.	500 kcmil (.813 Dia.) 37 Str. or 500 kcmil Compact (.736 Dia.) 19 Str. Al; 37 Str. Al & Cu							
YRB44U39TW	1000 kcmil (1.152 Dia.) 61 Str.	700 kcmil (.964 Dia.) 61 Str., 750 kcmil (.998 Dia.) 61 Str. or 750 kcmil Compact (.908 Dia.) 61 Str.							
YRB44U44TW	1000 kcmil (1.152 Dia.) 61 Str.	1000 kcmil (1.152 Dia.) 61 Str.							

K-71

1 Material: Aluminum.
2 Finish: Electro-tin plated.
3 Barrels are partially filled with PENETROX™ and sealed.
4 Scratch brushing of all conductors before making installation is recommended.
5 Not for use with Copper-to-Copper applications.
6 Dimensions in brackets [] are in millimeters rounded off to the nearest millimeter, unless otherwise noted and are for reference only.

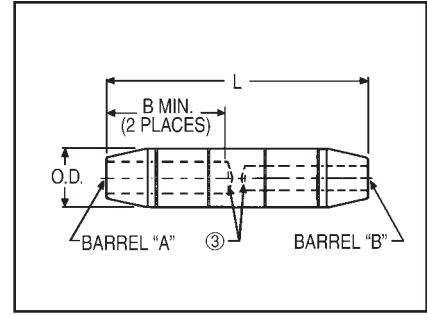
7 Catalog number PT6515 Adaptor is required to use "U" dies in Y45 series tools.
8 Catalog number PUADP-1 Adaptor is required to use "U" dies in Y46 series tools.
9 On MY29-3 HYTOOL™ use alum. Index plate settings as follows,
for 1/0 conductor use 1/0 setting. For conductor smaller than 1/0 size use
2/0 setting.

TYPE YRB-U

HYREDUCER™ SPLICE

(Continued)

For Aluminum to Aluminum and
Aluminum to Copper



Installation (Number of Crimps per End)

Color Code	Die Index	Hydraulic				Dieless (# of Crimps)
		Y35, Y39, Y750, BAT35, BAT750, PAT750	Y46	Y45	Y60-	
Tan	296	U25ART (1)	U25ART (1)	U25ART (1)	—	Mechanical: MY29-3 (1), MY29011 (1) Hydraulic: Y644M (1), PAT644-18V (1)
White	298	U28ART (2)	U28ART (2)	U28ART (2)	—	
Brown	299	U31ART Overlap Crimp	U31ART Overlap Crimp	U31ART Overlap Crimp	L31ART (1)	Y644M (1) PAT644-18V (1)
Pink	300	U34ART Overlap Clamp	U34ART Overlap Clamp	U34ART Overlap Clamp	L34ART	
Yellow	936	U39ART-2 (4)	U39ART-2 (4)	U39ART-2 (4)	L39ART (2)	—

K-72

- 1 Material: Aluminum.
- 2 Finish: Electro-tin plated.
- 3 Barrels are partially filled with PENETROX™ and sealed.
- 4 Scratch brushing of all conductors before making installation is recommended.
- 5 Not for use with Copper-to-Copper applications.
- 6 Dimensions in brackets [] are in millimeters rounded off to the nearest millimeter, unless otherwise noted and are for reference only.

- 7 Catalog number PT6515 Adaptor is required to use "U" dies in Y45 series tools.
- 8 Catalog number PUADP-1 Adaptor is required to use "U" dies in Y46 series tools.
- 9 On MY29-3 HYTOOL™ use alum. Index plate settings as follows, for 1/0 conductor use 1/0 setting. For conductor smaller than 1/0 size use 2/0 setting.

TYPE YRB-T

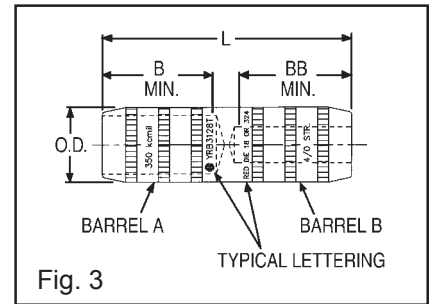
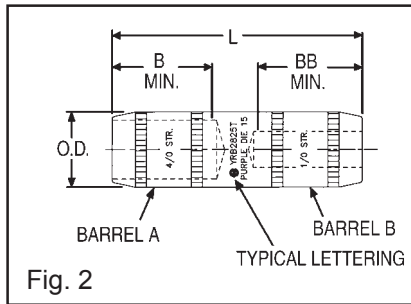
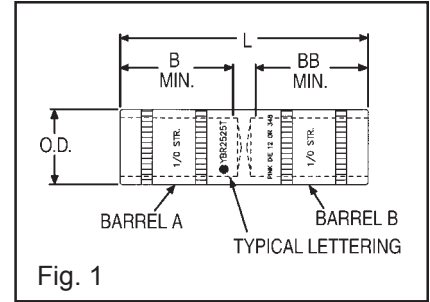
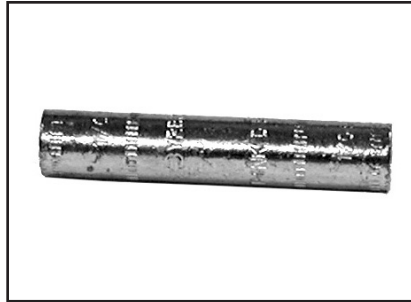
HYREDUCER™ SPLICE

For Copper to Copper

Type YRB-T splice is designed for use within underground systems. Copper splices are tapered and recommended for use on copper-to-copper cables.

All splices have solid center stops for use with oil filled and non-oil filled cables.

The Outside Diameter is held constant to minimize installation dies. Rated up to 35 kV



Catalog Number ^② _⑦	Figure No.	Conductor Size		Dimensions			
		Barrel "A"	Barrel "B"	B Min.	BB Min.	L	O.D.
YRB2825T	2	4/0 (0.53)	1/0 (0.37)	1.16 [29]	1.16 [29]	2.84 [73]	0.69 [18]
YRB3428T	3	500 kcmil	4/0 (0.53)	1.73 [44]	1.73 [44]	4.50 [114]	1.06 [27]

Catalog Number ^② _⑦	Color Code	Installation Tooling (Number of Crimps)										Dieless (# of Crimps)	Wire Strip Length
		Die Information		Mechanical			Hydraulic						
		Die Index	Type	OUR840	MD7 MD7-34R	MD6	Y35, Y39, Y750, PAT750	BCT500, Y500CT	^④ Y46	^③ Y45	Y60-		
YRB2825T	Purple	Die 15	Purple Die Set	X28VT (4) X28RT (4)	X28VT (4)	X28VT (4)	U28RT (1)	—	U28RT (1)	—	L29ART (1)	Hydraulic: Y644M (1) PAT644M (1)	1-7/32"
YRB3428T	Brown	Die 20 or 299	Brown Die Set	—	—	—	U34ART (2) U31ART (2)	W34VT (2) W34RT (2)	U34RT (2) U31ART (2)	U34RT (2) U31ART (2)	L34RT (1)	Hydraulic: Y644M (1) PAT644M (1)	1-13/16"

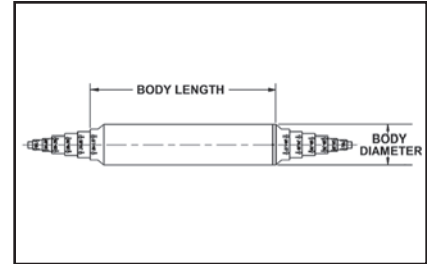
- 1 Material: Copper.
- ② For Tin-Plating, add suffix "TN" to the Catalog Number (example: YRB2825TN). For Hot Tin dipped add suffix "W" to the catalog number (example: YRB2825TW).
- ③ Catalog Number PT6515 Adaptor is required to use "U" dies in Y45 series tools.
- ④ Catalog Number PUADP-1 is required to use "U" dies in Y46 series tools.
- 5 Dimensions in brackets [] are in millimeters rounded off to the nearest millimeter, unless otherwise specified, and are for reference only.
- ⑦ Suffix "TN" and "W" will not be stamped on part.

K-73

TYPES BSSI, BTWTC

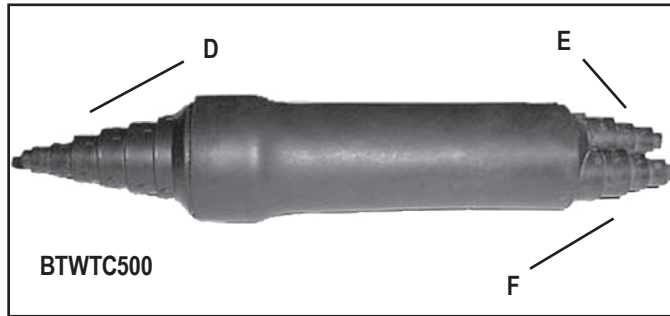
SUBMERSIBLE SPLICE COVERS

Soft Rubber Covers for Insulating



Features and Benefits

- 600 Volt compression splice connections including those subject to water submersion: Suitable for direct burial. Ends have stepped sealing surfaces to accommodate a wide variety of conductor sizes
- Maintains watertight integrity and full insulating value in all direct buried, underground networks, residential and overhead service joints
- Taping is eliminated and splice preparation is significantly reduced
- Meets the performance requirements of ANSI C119.1, ANSI C119.4 and Western Underground Committee Guide 2.5



NOTE: Covers are supplied without connectors.

K-74

Catalog Number	Copper Conductor	Aluminum Conductor	Cable Insulation	Body Length	Body Diameter	Uncompressed Splice Size	
						O.D.	O.A.L.
BSSI-20	14 - 2/0	14 - 2/0	0.15 - 0.60	4.40	0.84	0.75	3.00
BSSI-500	14 - 500	14 - 500	0.15 - 1.18	5.30	1.25	1.19	4.00
BSSI-500L	14 - 500	14 - 500	0.15 - 1.18	7.70	1.35	1.19	6.00

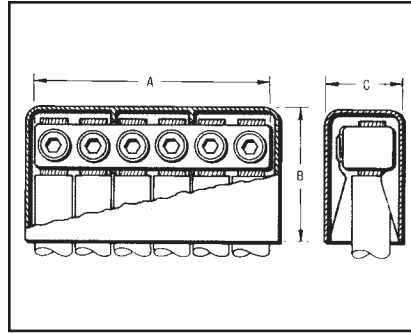
Catalog Number	Cable Range			Body Length
	D	E	F	
BTWTC500	14 - 500	14 - 250	14 - 250	5.30

TYPE K-P-C

URD

URD Service Tap for Copper Conductors

These compact, wide-range-taking, multiple outlet connectors are made of high conductivity copper alloy. Spherical point Allen set screws provide even clamping forces on conductors up to 4/0 Str. Each connector is supplied with an insulating cover. The mechanical clamping elements allow individual cables to be disconnected without disturbing adjacent connections.



Catalog Number			Conductor	Number of Outlets	A	B	C
Complete Assembly	Connector Only	Cover Only					
K6P28C	K6P28	K-PC28	6 Str - 4/0 Str.	6	5-1/8	2-3/4	1-5/8

COMPRESSION SERVICE TAPS AND TRANSFORMER TERMINALS

Where compression-type service taps are required, the wide-range-taking, figure "6" shaped, tap connectors are recommended. They can be gripped in a HYPRESS™ and slipped over the secondary main for easy installation. For above-grade installation, commercially available insulating tubes are often used to cover a series of these taps on each main cable stub. Separation of run and tap cables simplifies taping.

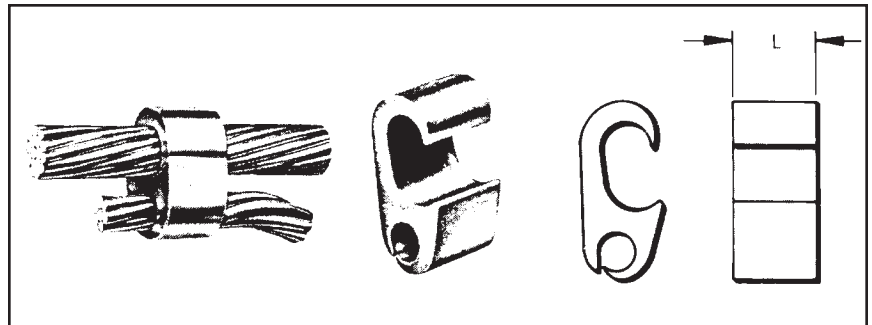
K-75

TYPE YPC-C

TIN-PLATED COPPER CRIMPIT™

For Copper Conductors

Made of tin-plated pure copper this connector is recommended for copper service taps in above-grade enclosures or for direct burial. The streamlined design facilitates taping. The plating eliminates reaction with insulators.



Catalog Number	Conductor		L	Die Index	Installation Tooling	
	Run	Tap			Y35, Y750, Y46* HYPRESS™	
					Die Cat. No.	(No. of Crimps)
YPC29C26	2/0 Str.-250	4 Str.-2/0 Str.	1.00	D3	U-D3	(1)

* Y46 requires PUADP-1 adapter to use U-dies.

TYPES K6B AND K33B

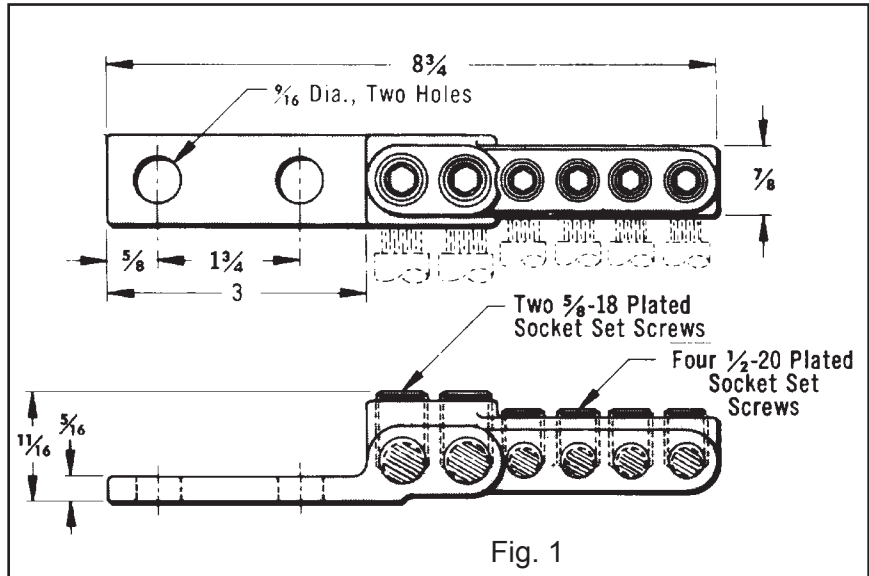
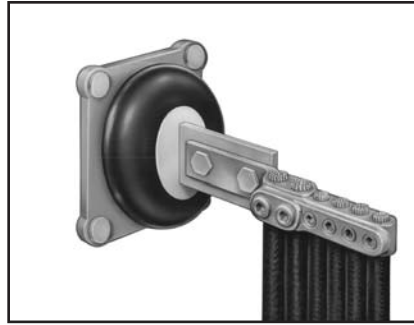
URD TRANSFORMER TERMINALS

For Copper Conductors

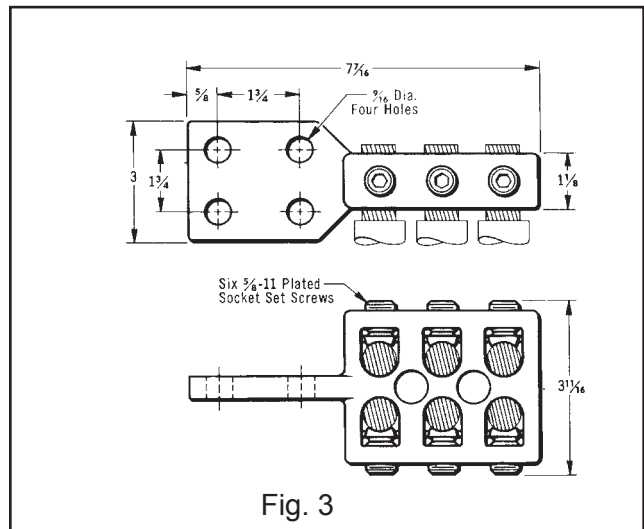
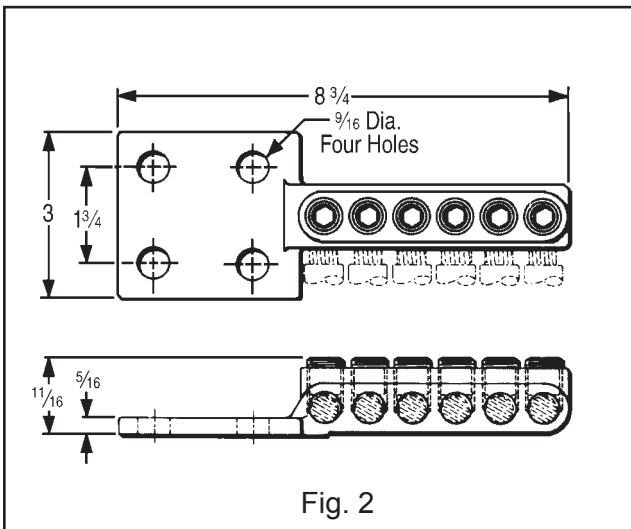
These terminals are companion connectors of the various types and possess the same advantages of wide conductor range and compactness. These features simplify cable terminations in the secondary compartments of pad-mounted transformers. The design also permits individual cables to be disconnected without disturbing adjacent joints.

Made of a high conductivity copper alloy, these compact range-taking connectors provide for connecting up to six copper cables at the transformer terminals. The outlets are equipped with spherical point, tinned brass socket set-screws to provide even clamping forces on the conductors throughout the cable range.

Where cable sizes exceed 4/0 Str., a pressure bar is added to assure optimum performance.



K-76

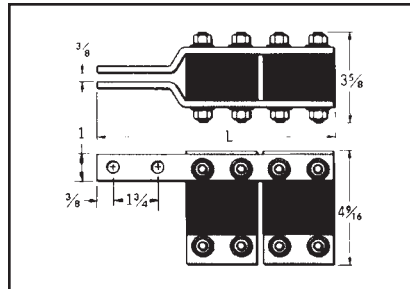


Catalog Number	Conductor	Fig. No.	NEMA Tongue
K6B2826-2N	Two Outlets: #6 - 4/0 Four Outlets: 6 Str. - 2/0	1	2-Hole
K6B28-4N	Six Outlets: 6 Str. - 4/0 Str.	2	4-Hole
K33B34-4N	Six Outlets: 4/0 Str. - 500	3	4-Hole

TYPE F-A

URD FUSED TRANSFORMER TERMINALS

These Transformer Tap assemblies bolt directly to the secondary terminal pad. They provide for up to eight cables to be fused directly at the secondary terminals. This may be all service taps or combinations of secondary mains and service taps.



Catalog Number	Number of Fuses	L Inches
F22A28	4	6-1/2

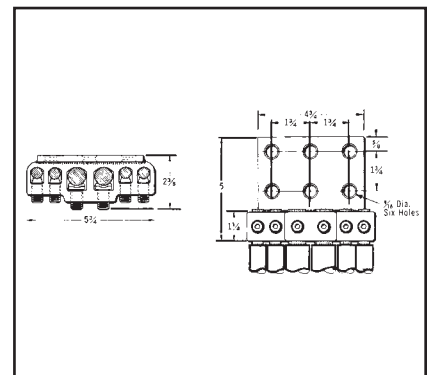
Type LF Limiter and HYLUG™ (copper or aluminum). Compression terminals must be ordered separately.

TYPE K6A34U

TRANSFORMER TERMINALS

For Aluminum and Copper Conductors

Made of aluminum alloy, the massive design minimizes conductor corrosion due to galvanic action. Each outlet is pre-filled with PENETROX™ joint compound and sealed. Plated aluminum socket head pressure screws and aluminum pressure bars prevent conductor damage. Six hole pad allows for adjustable positioning on four hole NEMA spades.



Catalog Number	Conductor	Number of Outlets
K6A34U-6N	Two Outlets 2 Str.-500 Four Outlets 6 Str.-4/0 Str.	6

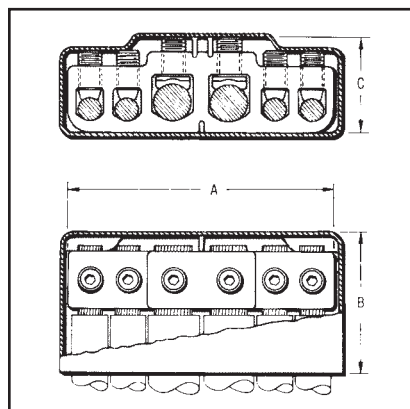
K-77

TYPE K-P-UC

UNIVERSAL URD SERVICE TAP

For Aluminum or Copper

Made of aluminum alloy, the massive design minimizes conductor corrosion due to galvanic action. Each outlet is pre-filled with PENETROX™ joint compound and sealed. Plated aluminum socket head pressure screws and aluminum pressure bars prevent conductor damage. Each connector is supplied with an insulating cover.



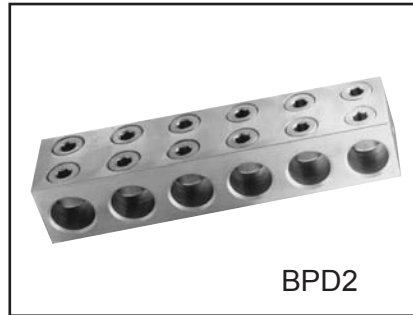
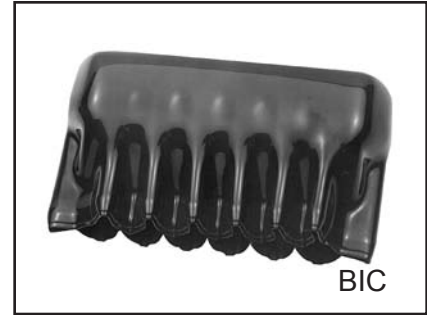
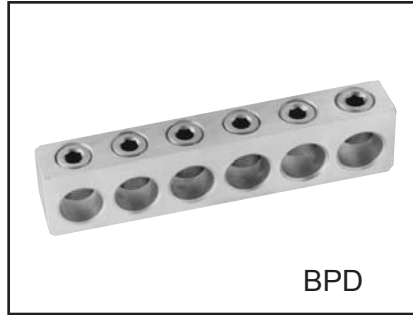
Catalog Number			Conductor	Number of Outlets	A	B	C
Complete Assembly	Connector Only	Cover Only					
K6P34UC	K6P34U	K6PC34U	Two Outlets 2 Str. - 500 Four Outlets 6 Str.- 4/0 Str.	6	5-3/4	3-1/8	2-1/8

TYPES BPD & BPD2

POWER DISTRIBUTION BLOCKS

Dual rated ground pedestal lugs. Rated for 600 volt. Constructed from high strength aluminum alloy 6061-T6. Connectors are all plated to provide low contact resistance.

Plastisol covers dielectric strength rating of 120 volts per mil. Nominal thickness is 156 mils. Covers purchased separately.




Catalog Number	Wire Range Aluminum or Copper	Number of Conductors	Dimensions			Insulating Cover
			A	B	C	
BPD-4-350	#6-350	4	3.88	1.38	1.00	BIC-4-350
BPD-6-350	#6-350	6	5.69	1.38	1.00	BIC-6-350
BPD-8-350	#6-350	8	7.50	1.38	1.00	BIC-8-350
BPD-4-500	#2-500	4	4.75	1.63	1.00	BIC-4-500
BPD-6-500	#2-500	6	7.00	1.63	1.00	BIC-6-500
BPD-8-500	#2-500	8	9.25	1.63	1.00	BIC-8-500
BPD2-4-750	#2-750	4	6.56	2.00	2.50	BIC2-4-750
BPD2-6-750	#2-750	6	9.88	2.00	2.50	BIC2-6-750
BPD2-8-750	#2-750	8	13.81	2.00	2.50	BIC2-8-750

K-78

TABLE OF CONTENTS

	COPPER SUBSTATION	L-3		Type UH	L-17
	Introduction			Tube	
	Type NAS Cable to Pad	L-4		Type UHR Tube or Cable	L-17
	Type NA Tube to Flat	L-5		Type LH, LHR Tube or Cable	L-18
	Type NAH Cable to Pad	L-6		Type FD Stud to Flat Bar	L-19
	Type N2AH Cable to Flat	L-7		Type NDR Cable, Tube, Flat Bar	L-20
	Type VA Cable to Flat	L-8		Type QGFL Cable to Flat	L-21
	Type VVA Cable to Flat	L-9		Type FCB Transformer Tap Adapter	L-22
	Type XA Tube to Flat, Expandable	L-10		Type E-C-G Transformer Tap Adapter	L-22
	Type NT Tube to Tube	L-11		Type HFBW Bar Clamp	L-23
	Type NSNT Tube or Cable to Cable	L-12		Type HFB-P1 Bar Clamp Components	L-24
	Type NHNT Tube to Cable	L-13		Type HFB-N Tap Pad Adapter	L-24
	Type VT Cable to Cable	L-14		Type NNT Tube to Tube	L-25
	Type NS Tube to Tube	L-15		Type NNTR Cable to Cable	L-26
	Type XP Tube to Tube	L-16		Type NNTR Tube to Cable	L-27

L-1

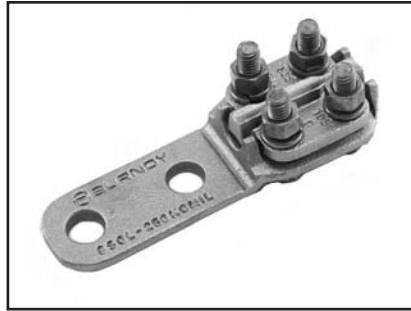
	Type NS-A Tube to Tube	L-28
	Type NA-A Tube to Flat	L-28
	Type XA-A Tube to Flat	L-29
	Type NAR Cable to Flat	L-30
	Type NBC-A Tube to Flat	L-31
	Type UHG Fixed or Rigid Pipe to Base	L-32
	Type UHKR-A Tube or Cable	L-33
	Type LB-A Pipe End Cap	L-34
	Type WAS-A Tube to Pad	L-35
	Type WASC-A-N Tube to Pad	L-36
	Type WG Stud to Tube	L-37

**COPPER
SUBSTATION
CONNECTORS**

INTRODUCTION

BURNDY® electrical connectors are designed to be installed with a minimum of effort, to run cooler than the conductors being joined and to provide optimum performance under all operating conditions.

To achieve this type of performance, extensive research and development time is spent by BURNDY® engineers and scientists to improve manufacturing techniques, materials and designs. As these improvements become available, they are incorporated into both existing and new product lines. This continuous program of product innovation and improvement insures that, as new and more critical applications evolve, high quality connectors from BURNDY® will be available to meet the need.



N-Line connectors are two-piece copper alloy castings assembled with DURIMUM™ (silicon bronze) hex bolts, nuts and washers. They are available for connecting tube or cable.



The Variline incorporates a modified V-bolt as the clamping element for heavy-duty applications. This line is particularly suited for use with flexible and extra flexible cables.



Flat pad connectors used to join cable or tubing terminals to equipment studs.



A variety of bus supports are also available for tube or cable. Some can be adjusted for either a rigid or slide-fit by rotating the clamping cap 180°.

Expansion connectors are used to absorb the stress imposed on the bus by settling ground, thermal expansion and shocks, as in circuit breaker operations. The flexible elements are flat-tinned, copper braid, with sufficient cross sectional area to carry the rated current of the conductors being joined.

L-3

TYPE NAS

BOLTED TERMINALS

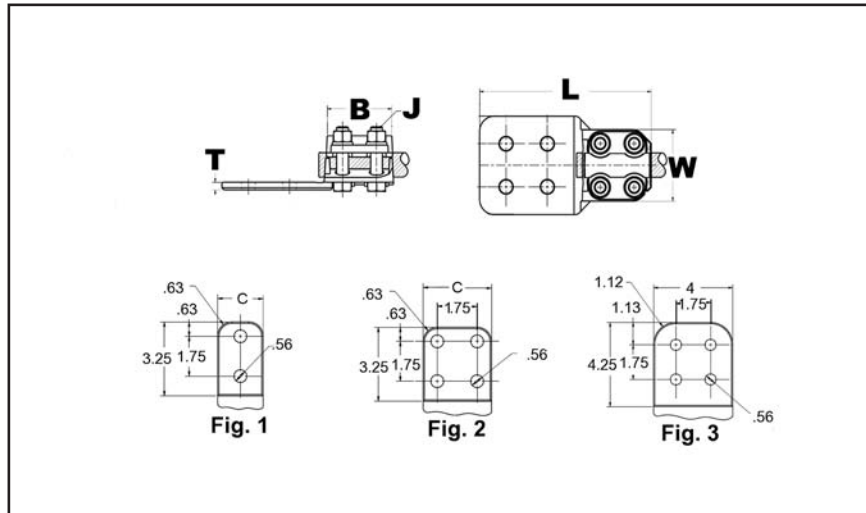
For Use On Cable To Pad

High copper alloy reversible cap terminal for joining a wide range of cable to pads. Tongue is side formed to provide adequate clearance and terminal is designed for one-wrench installation.

Material: Copper Alloy
Hardware: DURIUM™ Silicon Bronze

Notes :

- Plated versions: add the required suffix to the catalog number. -TN for regular tin plating.
- Please contact factory for other sizes, combinations and availability.
- See NAH family for heavy duty versions.



L-4

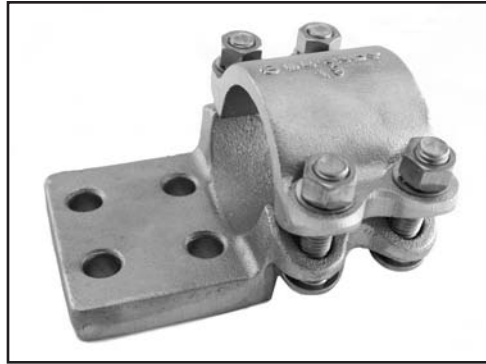
Catalog Number	Fig. #	Copper Stranded Range	Copper Solid Range	B	J Dia.	L	C	T	W
NAS29-2N	1	6 AWG-250 kcmil	6 AWG-4/0 AWG	2.38	3/8	5.62	1.50	0.25	2.00
NAS29-34N	2			2.38	3/8	5.62	3.00	0.25	2.00
NAS29-N	—			2.38	3/8	3.88	1.25	0.25	2.00
NAS34-2N	1	1/0 AWG-500 kcmil	1/0 AWG-4/0 AWG	2.38	3/8	5.62	2.00	0.31	2.20
NAS34-34N	2			2.38	3/8	5.62	3.00	0.25	2.20
NAS34-N	—			2.38	3/8	4.12	1.50	0.25	2.20
NAS40-2N	1	2/0 AWG-800 kcmil	2/0 AWG-4/0 AWG	2.62	3/8	5.88	2.00	0.38	2.44
NAS40-34N	2			2.62	3/8	5.88	3.00	0.31	2.44
NAS40-44N	3			2.62	3/8	6.88	4.00	0.31	2.44

TYPE NA

TERMINAL

For Copper Tube to Flat

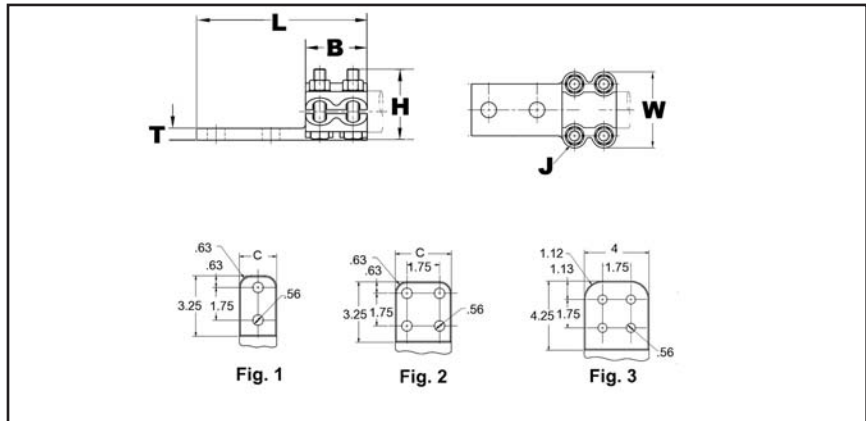
High copper alloy terminal for joining copper tube to a flat pad. Letter "N" on end of catalog number indicates pad drilled to NEMA standards. One-wrench installation.



Material: Copper Alloy
Hardware: DURIMUM™ Silicon Bronze

Notes :

- Plated versions: add the required suffix to the catalog number. -TN for regular tin plating.
- Please contact factory for other sizes, combinations and availability.



Catalog Number	Fig. #	Copper Pipe (Std or EH)	B	J Dia.	L	H	C	T	W	
NA122N	1	3/8 IPS	1.38	3/8	3.75	1.50	1.50	0.25	2.13	
NA132N	1	1/2 IPS	2.00		5.25	1.75	1.50	0.38	2.25	
NA142N	1	3/4 IPS			5.25	2.00	1.63	0.38	2.44	
NA144N	2				4.50	2.00	3.13	0.38	2.44	
NA152N	1	1 IPS			5.25	2.06	1.88	0.38	2.75	
NA154N	2				5.25	2.06	3.00	0.38	2.75	
NA162N	1	1 1/4 IPS		2.69	1/2	5.94	2.56	2.25	0.44	3.50
NA164N	2		5.94			2.56	3.00	0.44	3.50	
NA172N	1		5.94			2.75	2.50	0.50	3.94	
NA1744NHQ	3		1 1/2 IPS			7.07	3.09	4.00	0.50	3.82
NA174N	2		1 1/4 IPS			5.94	2.75	3.00	0.50	3.94
NA182N	1		2 IPS			5.94	3.12	2.75	0.50	4.62
NA184N	2	5.94		3.13	3.13	0.50	4.63			
NA1944N	3	2 1/2 IPS	3.25	5/8	7.19	3.74	4.00	0.69	5.24	
NA1944NHQ	3				7.09	3.96	4.00	0.75	5.12	
NA194N	2				5.94	3.69	3.75	0.69	5.25	
NA194N90CG2	2				2 1/2 IPS	6.50	3.62	3.75	0.69	5.25
NA204N	2				3 IPS	6.56	4.38	4.38	0.69	6.19
NA214N	2				3 1/2 IPS	6.56	4.94	4.75	0.81	6.81
NA224N	2	4 IPS	6.56	5.50	5.25	0.81	7.44			

L-5

TYPE NAH

BOLTED TERMINALS

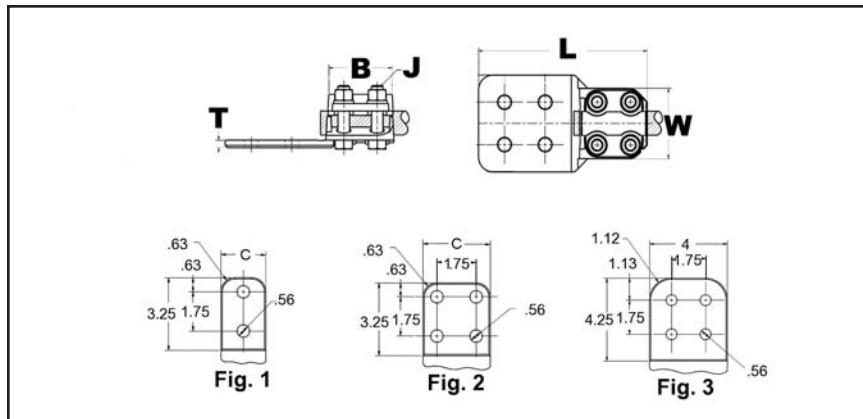
For Use On Cable To Pad

High copper alloy terminal for joining a wide range of cable to equipment pads. Tongue is side formed to provide adequate clearance and terminal is designed for one-wrench installation.

Material: Copper Alloy
Hardware: DURIMUM™ Silicon Bronze

Notes :

- Plated versions: add the required suffix to the catalog number. -TN for regular tin plating.
- Please contact factory for other sizes, combinations and availability



L-6

Catalog Number	Fig. #	Copper Stranded Range	Copper Solid Range	B	J Dia.	L	C	T	W
NAH29-2N	1	6 AWG-250 kcmil	6 AWG-4/0 AWG	2.62	1/2	5.88	1.50	0.25	2.44
NAH29-34N	2						3.00		
NAH34-2N	1	1/0 -500 kcmil	1/0 AWG-4/0 AWG				2.00	0.31	2.56
NAH34-34N	2						3.00	0.25	
NAH40-2N	1	2/0 AWG-800 kcmil	3/0 AWG-4/0 AWG				2.00	0.38	2.81
NAH40-34N	2						3.00	0.31	
NAH404-4N	3			6.88	4.00	0.31			
NAH44-2N	1	4/0 AWG-1000 kcmil	N/A	2.88	1/2	6.12	2.00	0.44	2.88
NAH44-34N	2						3.00	0.38	
NAH44-44N	3						7.12	4.00	
NAH46-2N	1	1000 kcmil-1500 kcmil	N/A	3.06	1/2	6.31	2.00	0.50	3.19
NAH46-34N	2						3.00	0.41	
NAH46-44N	3						7.31	4.00	
NAH48-2N	1	500 kcmil-2000 kcmil	N/A	3.25	1/2	6.50	2.00	0.69	3.38
NAH48-34N	2						3.00	0.50	
NAH48-44N	3						7.50	4.00	
NAH48-62N	1	2000 kcmil-2500 kcmil	N/A	3.75	5/8	7.12	3.00	0.63	3.96
NAH486-34N	2								

TYPE N2AH

BOLTED TERMINALS

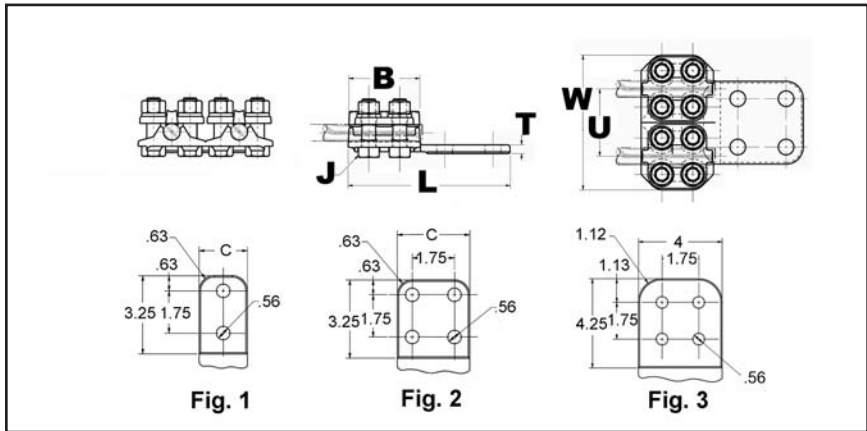
For Two Copper Cables to Flat

High copper alloy reversible cap terminal for joining a wide range of cable to pads. Tongue is side formed to provide adequate clearance and terminal is designed for one wrench installation.

Material: Copper Alloy
Hardware: DURIUM™ Silicon Bronze

Notes :

- Plated versions: add the required suffix to the catalog number. -TN for regular tin plating.
- Please contact factory for other sizes, combinations and availability.



Catalog Number	Fig. #	Copper Stranded Range	Copper Solid Range	B	J Dia.	L	C	T	W	U
N2AH29-2N	1	6 AWG-250 kcmil	6 AWG-4/0 AWG	2.62	1/2	5.87	1.50	0.32	4.88	2.44
N2AH29-34N	2	6 AWG-250 kcmil	6 AWG-4/0 AWG	2.62	1/2	5.87	3.00	0.32	4.88	2.44
N2AH34-2N	1	1/0 AWG-500 kcmil	1/0 AWG-4/0 AWG	2.62	1/2	5.87	2.00	0.32	5.44	2.88
N2AH34-34N	2	1/0 AWG-500 kcmil	1/0 AWG-4/0 AWG	2.63	1/2	6.13	3.00	0.38	5.40	2.88
N2AH34-44N	3	1/0 AWG-500 kcmil	1/0 AWG-4/0 AWG	2.63	1/2	7.00	4.00	0.38	5.38	2.88
N2AH40-34N	2	2/0 AWG-800 kcmil	2/0 AWG-4/0 AWG	2.63	1/2	5.88	3.00	0.38	5.70	2.92
N2AH44-34N	2	4/0 AWG-1000 kcmil	4/0 AWG	2.88	1/2	6.38	3.00	0.50	6.12	3.12
N2AH44-44N	3	4/0 AWG-1000 kcmil	4/0 AWG	2.88	1/2	7.32	4.00	0.50	6.12	3.12
N2AH44-44NHQ	3	4/0 AWG-1000 kcmil	4/0 AWG	2.88	1/2	7.20	4.00	0.50	6.12	3.12
N2AH46-44N	3	1000 kcmil-1500 kcmil	N/A	3.07	1/2	7.46	4.00	0.75	6.50	3.36
N2AH48-44N	3	1000 kcmil-1500 kcmil	N/A	3.25	1/2	7.62	4.00	0.75	9.50	4.00

L-7

TYPE VA

VARILUG™

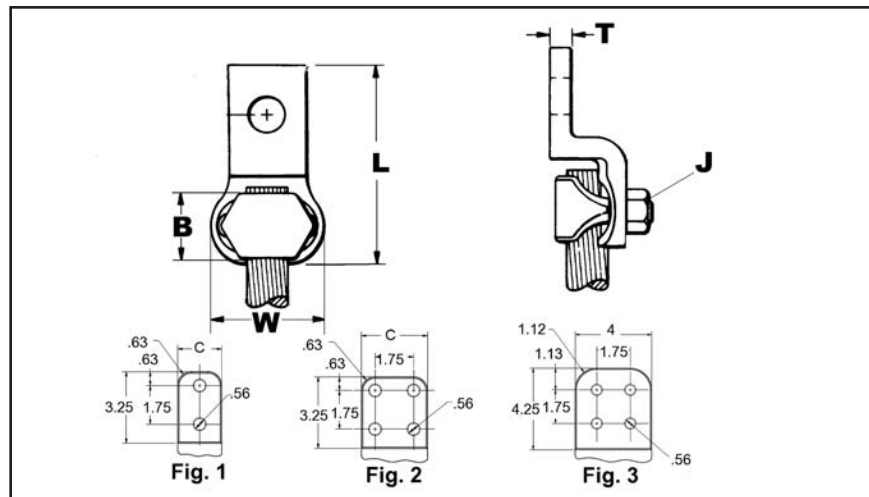
For Use On Copper Cable

High copper alloy terminal for joining a wide range of cable to equipment pads or bar. Particularly suitable for use on extra flexible cable. One-wrench installation. Type VVA, twin elements secure joint against vibration and flexing. Particularly recommended for use on extra flexible cables. One-wrench installation.

Material: Bronze Alloy
Hardware: DURIMUM™ Silicon Bronze

Notes :

- Plated versions: add the required suffix to the catalog number. -TN for regular tin plating.
- Please contact factory for other sizes, combinations and availability
- Choose type VVA with twin elements for additional joint strength against vibration and flexing. Particularly recommended for use on flexible cables.



L-8

Catalog Number*	Fig. #	Copper Stranded Range	Copper Solid Range	C	B	J Dia.	L	T	W
VA4C	—	8 AWG-4 AWG	8 AWG-4 AWG	0.75	0.69	7/16	2.38	0.22	0.81
VA2C	—	8 AWG-2 AWG	8 AWG-2 AWG	0.81	0.81	3/8	2.72	0.25	1.00
VA25	—	6 AWG-1/0	6 AWG-1/0 AWG	0.88	0.88	3/8	2.88	0.25	1.19
VA252	—			0.88	0.88	3/8	3.63	0.25	1.19
VA28	—	1/0 AWG-4/0 AWG	1/0 AWG-4/0 AWG	1.06	1.09	3/8	2.84	0.31	1.69
VA28-2N	1			1.06	1.09	3/8	4.94	0.31	1.69
VA30	—	1/0 AWG-300 kcmil	1/0 AWG-4/0 AWG	1.13	1.09	3/8	3.22	0.31	1.91
VA30-2N	1			1.12	1.09	7/16	5.19	0.31	1.91
VA34	—	300 kcmil-500 kcmil	N/A	1.38	1.31	1/2	3.81	0.38	2.22
VA34-2N	1			1.38	1.31	1/2	5.38	0.38	2.22
VA344	—			1.88	1.31	7/16	4.22	0.38	2.22
VA40	—	500 kcmil-800 kcmil	N/A	1.63	1.34	9/16	4.47	0.38	2.63
VA40-2N	1			1.62	1.34	9/16	5.81	0.38	2.62
VA404	—			1.88	1.34	9/16	4.72	0.38	2.63
VA40-4N	2			3.00	1.34	9/16	5.81	0.38	2.62
VA44	—	750 kcmil-1000 kcmil	N/A	1.88	1.41	5/8	4.78	0.50	2.88
VA444	—			2.13	1.41	5/8	5.16	0.50	2.88
VA462N	1			2.25	2.00	5/8	6.44	0.56	3.25

* "N" indicates NEMA standard stud holes.

TYPE VVA

VARILUG™

For Use On Copper Cable

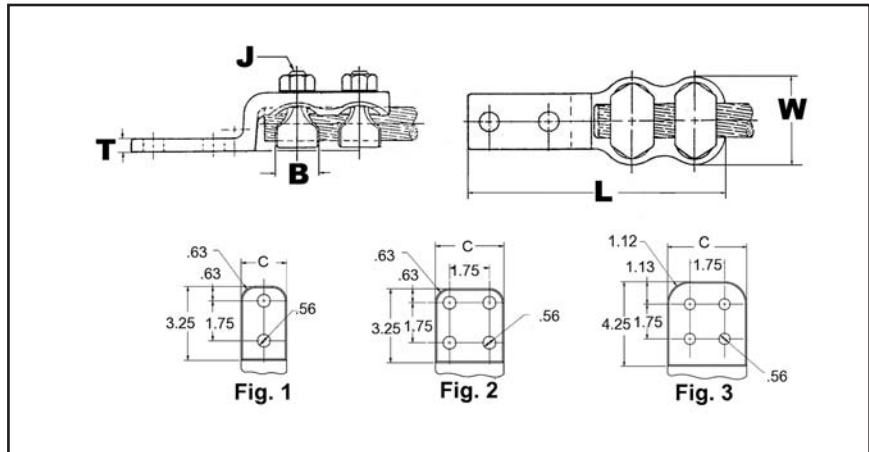
High copper alloy terminal for joining a wide range of cable to equipment pads or bar. Particularly suitable for use on extra flexible cable. One-wrench installation.



Material: Bronze Alloy
Hardware: DURIMUM™ Silicon Bronze

Notes :

- Plated versions: add the required suffix to the catalog number. -TN for regular tin plating
- Please contact factory for other sizes, combinations and availability



Catalog Number*	Fig. #	Copper Stranded Range	Copper Solid Range	C	B	J Dia.	L	T	W
VVA2C	—	8 AWG-2 AWG	8 AWG-2 AWG	0.81	0.81	3/8	4.06	0.25	1.00
VVA25	—	6 AWG-1/0	6 AWG-1/0 AWG	0.88	0.88	3/8	4.31	0.25	1.19
VVA25-2	—	1/0 AWG-4/0 AWG		0.88	0.88	3/8	5.06	0.25	1.19
VVA28	—		1.06	1.09	3/8	4.13	0.31	1.69	
VVA28-2N	1		1.06	1.09	3/8	6.19	0.31	1.69	
VVA30	—	300 kcmil	1/0 AWG-4/0 AWG	1.13	1.09	7/16	4.63	0.31	1.94
VVA30-2N	1			1.13	1.09	7/16	6.56	0.31	1.94
VVA30-4N	2			3.00	1.09	7/16	6.75	0.38	1.91
VVA34	—	300 kcmil-500 kcmil	N/A	1.38	1.31	1/2	5.31	0.38	2.25
VVA34-2N	1			1.30	1.31	1/2	6.88	0.38	2.22
VVA34-4	—			1.88	1.31	7/16	5.75	0.38	2.25
VVA34-4N	2			3.13	1.31	7/16	7.00	0.38	2.38
VVA40	—	500 kcmil-800 kcmil	N/A	1.63	1.34	9/16	6.38	0.38	2.63
VVA40-2N	1			1.62	1.34	9/16	7.69	0.38	2.62
VVA40-4N	2			3.00	1.34	9/16	7.69	0.38	2.62
VVA40-4NCG1	—			3.50	0.88	9/16	7.69	0.38	2.62
VVA44-2N	1	750 kcmil-1000 kcmil	N/A	1.88	1.41	5/8	8.12	0.50	2.88
VVA44-4N	2			3.00	1.41	5/8	8.06	0.50	2.88
VVA46-2N	1	1000 kcmil-1500 kcmil	N/A	2.25	2.00	5/8	8.69	0.56	3.25
VVA46-4NCG2	—			3.50	2.00	5/8	8.75	0.56	3.25
VVA46-4NCG4	—			3.50	2.00	5/8	5.50	0.56	3.23
VVA48-2N	1	1500 kcmil-2000 kcmil	N/A	2.62	2.25	3/4	9.23	0.62	3.75

* "N" indicates NEMA standard stud holes.

TYPE XA

BOLTED EXPANSION TERMINALS

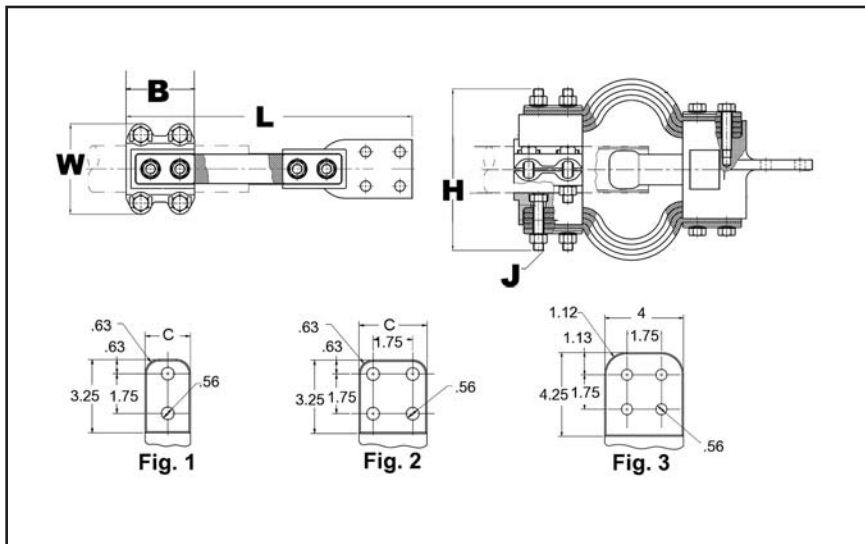
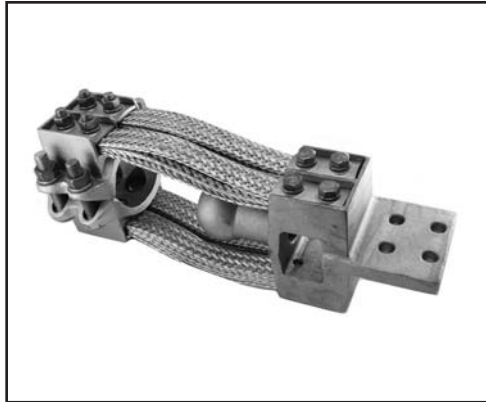
For Copper Tube to Flat

High copper alloy expansion terminal for tube to flat. Provides for longitudinal movement of tubing. Extra flexible braid carries full load of joint. One-wrench installation.

Material: Copper Alloy
Hardware: DURIMUM™ Silicon Bronze

Notes :

- Plated versions: add the required suffix to the catalog number. -TN for regular tin plating.
- Please contact factory for other sizes, combinations and availability.
- Installation instructions available upon request.



L-10

Catalog Number	Fig. #	Copper Pipe (Std)	Copper Pipe (EH)	B	C	J Dia.	L	H	W	
XA132N	1	1/2 IPS	N/A	3.00	1.50	3/8	12.00	3.88	3.06	
XA142N	1	3/4 IPS			1.63	3/8	12.00	4.06	3.13	
XA144N	2				3.00	3/8	12.50	4.12	3.12	
XA152N	1	1 IPS			1.88	3/8	12.75	4.31	3.13	
XA154N	2				3.00	3/8	12.75	4.31	3.13	
XA162N	1	1 1/4 IPS			2.25	1/2	14.50	5.81	4.31	
XA164N	2			3.00	1/2	14.75	5.81	4.31		
XA172N	1	1 1/2 IPS		2.50	1/2	15.00	6.06	4.31		
XA174N	2			3.00	1/2	15.25	6.06	4.31		
XA184N	2	2 IPS		3.00	1/2	15.25	7.00	4.62		
XA194N	2	2 1/2 IPS		3.75	1/2	16.13	7.50	5.25		
XA204N	2	3 IPS		4.38	5/8	16.69	7.94	6.50		
XA214N	2	3 1/2 IPS		4.75	5/8	16.94	8.25	6.81		
XA224N	2	4 IPS		5.25	5/8	17.00	9.44	7.44		
XA574N	2	N/A		1 1/2 IPS	3.50	3.00	1/2	14.38	6.44	4.31
XA594N	2			2 1/2 IPS	4.00	3.75	1/2	14.75	9.56	5.25

TYPE NT

T-CONNECTORS

**For Use On Tube To Tube T
(6 BOLTS)**

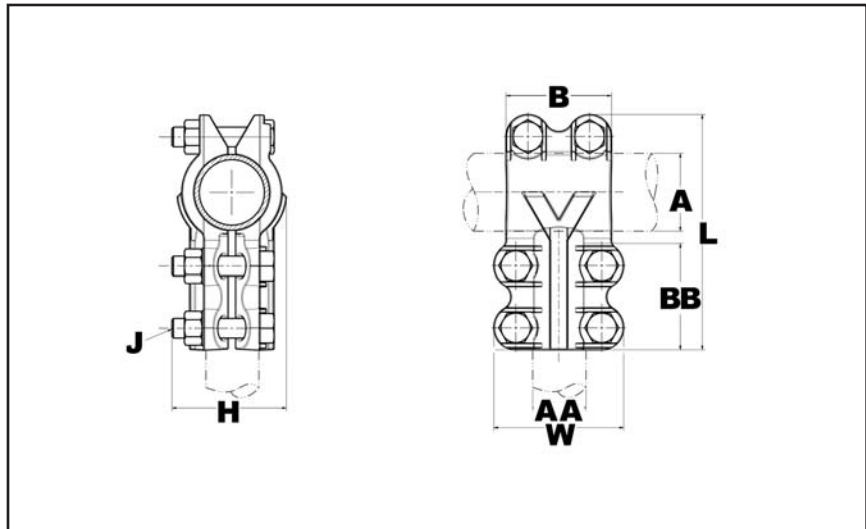
High copper alloy T-Connector for tubing run and tap. Slots between bolts provide independent high-pressure areas of contact. One-wrench installation.

Material: Copper Alloy
Hardware: DURIMUM™ Silicon Bronze



Notes :

- Plated versions: add the required suffix to the catalog number. -TN for regular tin plating.
- Items with -HC suffix have hex head bolts; items without the suffix can be either hex head or oval shank head. Both head styles are one wrench installation and offer the same clamping force and functionalities.
- Please contact factory for other sizes, combinations and availability.
- One-wrench installation.



Catalog Number	A Run Copper Pipe	AA Tap Copper Pipe	B	J Dia.	BB	L	H	W
NT1313	1/2 IPS	1/2 IPS	2.00	3/8	2.00	4.13	1.94	2.44
NT1413	3/4 IPS	1/2 IPS			2.00	4.13	1.94	2.25
NT1414		3/4 IPS			2.00	4.13	1.94	2.44
NT1514	1 IPS	3/4 IPS			2.00	4.38	2.13	2.44
NT1515		1 IPS			2.00	4.44	2.13	2.75
NT1614	1 1/4 IPS	3/4 IPS			2.00	4.75	2.44	2.44
NT1615		1 IPS			2.00	4.75	2.44	2.75
NT1616		1 1/4 IPS			2.69	5.69	2.63	3.50
NT1714	1 1/2 IPS	3/4 IPS	2.00	3/8	2.00	5.06	2.69	2.44
NT1715		1 IPS			2.00	5.06	2.69	2.75
NT1717		1 1/2 IPS	2.69		6.06	2.75	3.94	
NT1816	2 IPS	1 1/4 IPS	2.69	1/2	2.69	6.56	2.69	3.50
NT1817		1 1/2 IPS			2.69	6.63	3.25	3.94
NT1818		2 IPS	3.06		2.69	6.69	3.31	4.62
NT1919	2 1/2 IPS	2 1/2 IPS	3.63	5/8	2.69	7.25	3.88	5.25
NT2020	3 IPS	3 IPS	4.31		3.25	8.63	4.63	6.19
NT2121	3 1/2 IPS	3 1/2 IPS	4.88		3.25	9.25	5.19	6.81
NT2222	4 IPS	4 IPS	5.44		3.25	9.81	5.75	7.44

L-11

TYPE NSNT

T-CONNECTORS

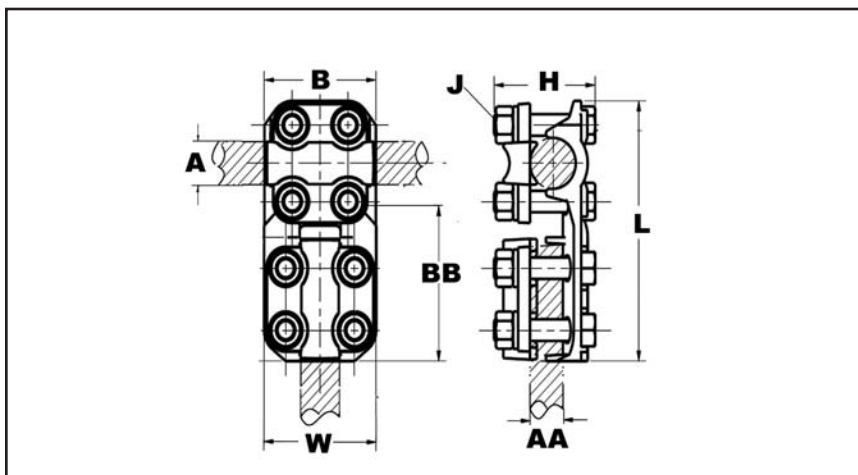
For Use On Tube Or Cable To Cable T

High copper alloy reversible T-Connector for joining a wide range of run and tap cables. Connector is designed for one-wrench installation. "S" standard 3/8 in hardware and "H" heavy duty 1/2 in hardware.

Material: Copper Alloy
Hardware: DURIMUM™ Silicon Bronze

Notes :

- Plated versions: add the required suffix to the catalog number. -TN for regular tin plating.
- Please contact factory for other sizes, combinations and availability.
- One-wrench installation.



Catalog Number	A Pipe Run	A Cable Run	AA ① Cable Tap Range	B	J Dia.	BB	L	H	W
NSNT1329	1/2 IPS	N/A	6 AWG-250 kcmil	2.00	3/8	2.38	5.08	2.00	1.96
NSNT1429	3/4 IPS		6 AWG-250 kcmil	2.00	3/8	2.38	5.08	2.00	1.96
NSNT1434			1/0 AWG-500 kcmil	2.00	3/8	2.38	5.08	2.10	2.20
NSNT1529	1 IPS		6 AWG-250 kcmil	2.00	3/8	2.38	5.34	2.00	1.96
NSNT1629	1 1/4 IPS		6 AWG-250 kcmil	2.00	3/8	2.38	5.78	2.37	1.96
NSNT2929	—		6 AWG-250 kcmil	6 AWG-250 kcmil	2.38	3/8	2.38	4.60	1.75
NSNT3429		1/0 AWG-500 kcmil	6 AWG-250 kcmil	2.38	3/8	2.38	4.84	2.00	1.96
NSNT3434			1/0 AWG-500 kcmil	2.38	3/8	2.38	4.84	2.00	2.20

① Complete cable range may be accommodated by reversing cap.

L-12

TYPE NHNT

T-CONNECTORS

For Use On TUBE TO CABLE T

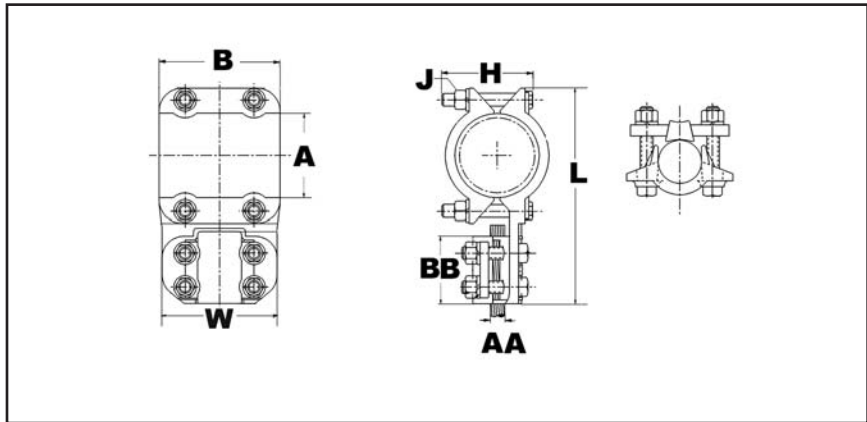
High copper alloy reversible T-Connector for joining a wide range of run pipe and tap cables. Connector is designed for one-wrench installation.



Material: Copper Alloy
Hardware: DURIMUM™ Silicon Bronze

Notes :

- Plated versions: add the required suffix to the catalog number. -TN for regular tin plating.
- Please contact factory for other sizes, combinations and availability.
- One-wrench installation.



Catalog Number	A Pipe Run	AA ① Cable Tap Range	B	J Dia.	BB	L	H	W
NHNT1429	3/4 IPS	6 AWG-250 kcmil	2.25	1/2	2.62	5.82	2.32	2.44
NHNT1434		1/0 AWG-500 kcmil	2.25	1/2	2.62	5.82	2.42	2.56
NHNT1529	1 IPS	6 AWG-250 kcmil	2.25	1/2	2.62	5.92	2.57	2.44
NHNT1534		1/0 AWG-500 kcmil	2.25	1/2	2.62	5.92	2.57	2.56
NHNT1540		2/0 AWG-800 kcmil	2.25	1/2	2.62	5.92	2.60	2.78
NHNT1629	1 1/4 IPS	6 AWG-250 kcmil	2.69	1/2	2.62	6.32	2.57	2.44
NHNT1634		1/0 AWG-500 kcmil	2.69	1/2	2.62	6.32	2.60	2.56
NHNT1640		2/0 AWG-800 kcmil	2.69	1/2	2.62	6.32	2.68	2.78
NHNT1644		4/0 AWG-1000 kcmil	2.69	1/2	2.88	6.58	2.69	2.90
NHNT1729	1 1/2 IPS	6 AWG-250 kcmil	2.69	1/2	2.62	6.76	2.70	2.44
NHNT1734	1 1/2 IPS	1/0 AWG-500 kcmil	2.69	1/2	2.62	6.76	2.70	2.56
NHNT1740	1 1/2 IPS	2/0 AWG-800 kcmil	2.69	1/2	2.62	6.76	2.78	2.78
NHNT1744		4/0 AWG-1000 kcmil	2.69	1/2	2.88	7.02	2.80	2.90
NHNT1829	2 IPS	6 AWG-250 kcmil	2.69	1/2	2.62	7.44	3.06	2.44
NHNT1834		1/0 AWG-500 kcmil	2.69	1/2	2.62	7.44	3.06	2.56
NHNT1840		2/0 AWG-800 kcmil	2.69	1/2	2.62	7.44	3.06	2.78
NHNT1844		4/0 AWG-1000 kcmil	2.69	1/2	2.88	7.70	3.06	2.90
NHNT1846		1000 kcmil-1500 kcmil	2.69	1/2	3.06	7.88	3.23	3.16
NHNT1929	2 1/2 IPS	6 AWG-250 kcmil	2.69	1/2	2.62	8.06	3.64	2.44
NHNT1934		1/0 AWG-500 kcmil	2.69	1/2	2.62	8.06	3.64	2.56
NHNT1940		2/0 AWG-800 kcmil	2.69	1/2	2.62	8.06	3.64	2.78
NHNT1944		4/0 AWG-1000 kcmil	2.69	1/2	2.88	8.32	3.64	2.90
NHNT1946		1000 kcmil-1500 kcmil	2.69	1/2	3.06	8.50	3.64	3.16
NHNT2040	3 IPS	2/0 AWG-800 kcmil	2.69	1/2	2.88	8.69	4.26	2.78
NHNT2044		4/0 AWG-1000 kcmil	2.69	1/2	5.75	8.95	4.26	2.90
NHNT2229	4 IPS	6 AWG-250 kcmil	3.25	1/2	2.63	10.38	4.26	2.50

① Complete cable range may be accommodated by reversing cap.

L-13

Substation Copper Bolted T-Connector | 230kV

BURNDY®

TYPE VT

T-CONNECTORS

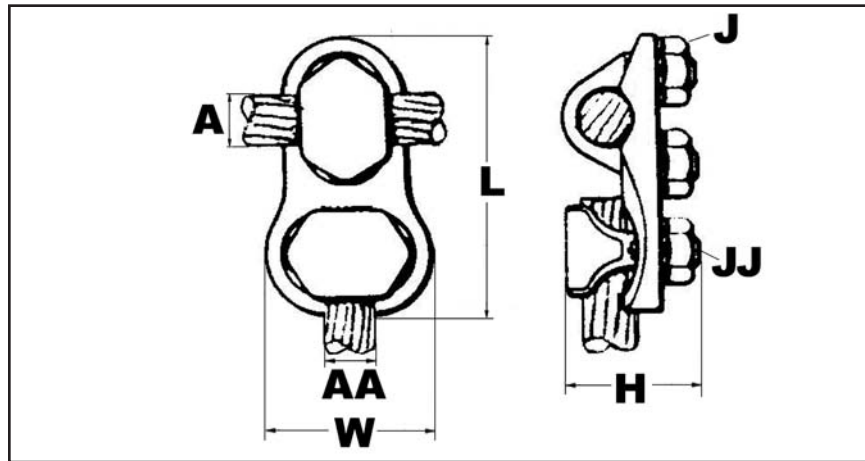
For Use On Copper Cable to Cable

High copper alloy T-connector for cable run, cable tap. V-bolt clamping elements accommodate large range of cable and are particularly suited for extra flexible cable. One-wrench installation.

Material: Copper Alloy
Hardware: DURIMUM™ Silicon Bronze

Notes :

- Plated versions: add the required suffix to the catalog number. -TN for regular tin plating.
- Please contact factory for other sizes, combinations and availability.
- One-wrench installation.



Catalog Number	A - Cable Run Range	AA - Cable Tap Range	J Dia.	JJ Dia.	L	H	W
VT2C2C	8 AWG-2 AWG	8 AWG-2 AWG	5/8	5/8	2.31	1.38	1.00
VT2525	6 AWG-1/0 AWG	6 AWG-1/0 AWG	3/4	3/4	1.37	0.38	0.56
VT2825	1/0 -4/0 AWG	6 AWG-1/0 AWG	3/8	3/4	3.12	1.62	1.25
VT2828	1/0 -4/0 AWG	1/0 -4/0 AWG	3/8	3/8	2.94	0.38	0.31
VT3028	1/0 -300 kcmil	1/0 -4/0 AWG	7/16	3/8	3.19	1.88	1.69
VT4034	500 kcmil-800 kcmil	300 kcmil-500 kcmil	9/16	1/2	4.13	2.56	2.25
VT4430	750 kcmil-1000 kcmil	1/0 -300 kcmil	5/8	7/16	4.25	2.88	1.94
VT4434		300 kcmil-500 kcmil	5/8	1/2	4.38	3.34	2.25
VT4440		500 kcmil-800 kcmil	5/8	9/16	4.75	2.88	2.63
VT4444		750 kcmil-1000 kcmil	5/8	5/8	4.88	2.88	2.88
VT4628	1000 kcmil-1500 kcmil	1/0 -4/0 AWG	5/8	3/8	4.50	3.81	1.69
VT4630		1/0 -300 kcmil	5/8	7/16	4.63	3.81	1.94
VT4640		500 kcmil-800 kcmil	5/8	9/16	5.13	3.81	2.63
VT4830	1500 kcmil-2000 kcmil	1/0 -300 kcmil	3/4	7/16	5.13	4.25	1.94
VT4840		500 kcmil-800 kcmil	3/4	9/16	5.63	4.25	2.63
VT4844		750 kcmil-1000 kcmil	3/4	5/8	5.75	4.25	2.88
VT4848		1500 kcmil-2000 kcmil	3/4	3/4	6.25	4.25	3.75

L-14

TYPE NS

COUPLERS

For Use On Straight Tube To Tube

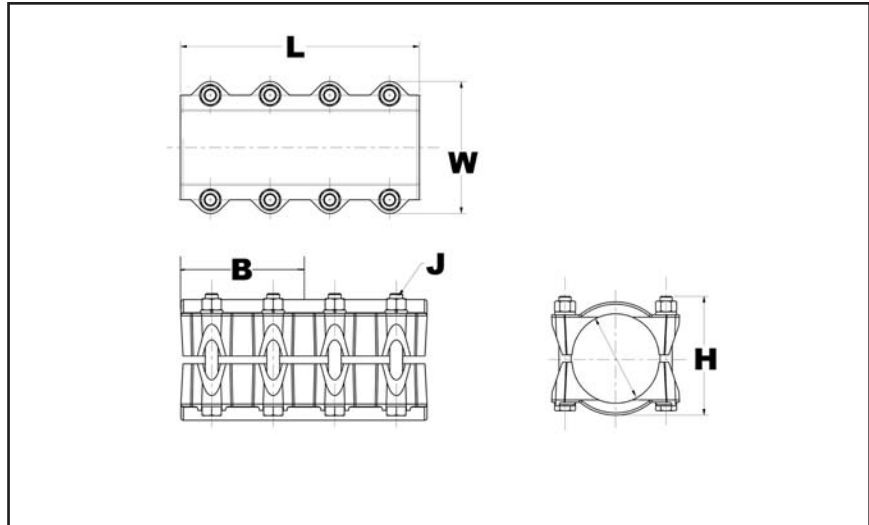
High copper alloy coupler for joining equal sizes of tube end to end. Slots between bolts provide independent high pressure areas of contact. One-wrench installation.



Material: Copper Alloy
Hardware: DURIMUM™ Silicon Bronze

Notes :

- Plated versions: add the required suffix to the catalog number. -TN for regular tin plating.
- W for extra thick tin plating (including hardware).
- Items with -HC suffix have hex head bolts; items without the suffix can be either hex head or oval shank head. Both head styles are one wrench installation and offer the same clamping force and functionalities.
- Please contact factory for sizes, combinations and availability.



Catalog Number	Copper Conductor	B	J Dia.	L	H	W
NS1212	3/8 IPS	1.50	3/8	3.00	1.44	1.94
NS1313	1/2 IPS	1.63	3/8	3.25	1.69	2.25
NS14148HC	3/4 IPS	2.69	1/2	5.75	2.32	2.81
NS1414HC		2.69	3/8	5.38	2.32	2.81
NS1515	1 IPS	2.13	3/8	4.25	2.13	2.75
NS1515HC		2.69	1/2	5.62	2.32	3.25
NS1515HCHQ		2.69	1/2	5.63	2.36	3.22
NS1616HC	1 1/4 IPS	2.69	1/2	5.75	2.57	3.50
NS1717	1 1/2 IPS	2.88	1/2	5.75	2.75	3.94
NS1717HC		2.69	1/2	5.75	2.81	3.94
NS1717HCHQ		2.69	1/2	5.75	2.61	3.94
NS1818	2 IPS	2.88	1/2	5.75	3.31	4.63
NS1818CG2		2.69	1/2	5.36	3.06	4.62
NS1818HC		2.69	1/2	5.75	3.31	4.62
NS1919	2 1/2 IPS	2.88	1/2	5.75	3.88	5.25
NS1919HC		2.69	1/2	5.75	3.96	5.25
NS1919HCHQ		2.69	1/2	5.75	3.56	5.18
NS2020	3 IPS	3.63	5/8	7.25	4.63	6.19
NS2020HC		3.25	5/8	7.25	4.64	6.19
NS2121	3 1/2 IPS	4.00	5/8	8.00	5.19	6.81
NS2121HC		3.25	5/8	7.25	5.20	6.81
NS2222	4 IPS	4.25	5/8	8.50	5.75	7.44
NS2222HC		3.25	5/8	7.25	5.76	7.44

L-15

Substation Copper Bolted Expansion Coupler | 230kV

BURNDY®

TYPE XP

EXPANSION COUPLERS

For Use On Copper Tube to Tube

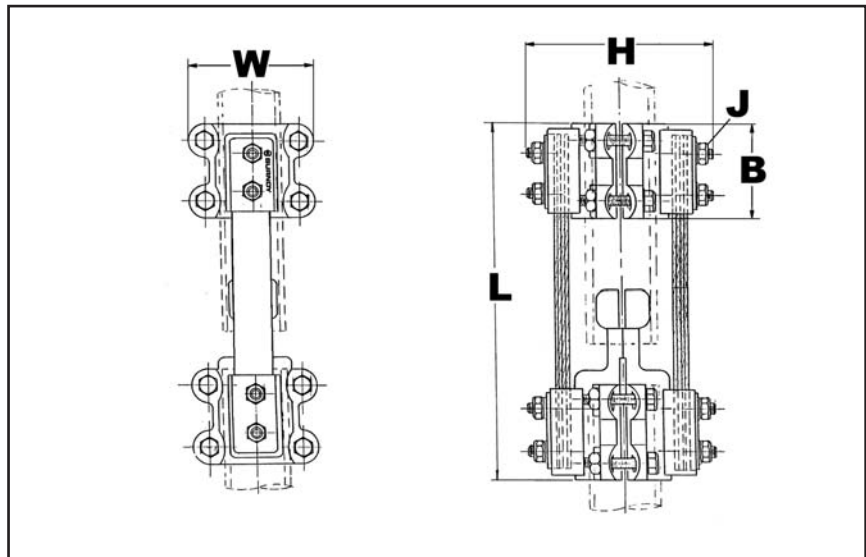
High alloy copper expansion coupler for joining equal size tube on end. Extra flexible tinned copper braid allows longitudinal movement of the tube. Type XP has alignment guide. One-wrench installation.



Material: Copper Alloy
Hardware: DURIMUM™ Silicon Bronze

Notes :

- Items with “-HC” suffix have hex head bolts; items without the suffix can be either hex head or oval shank head. Both head styles are one wrench installation and offer the same clamping force and functionalities.
- Installation instructions available upon request.
- For other sizes or configurations, please call factory.



L-16

Catalog Number	Copper Pipe Size	Copper EH Pipe Size	B	J Dia.	L	H	W
XP1313	1/2 IPS	—	3.00	3/8	8.75	3.88	3.06
XP1414	3/4 IPS	—			8.75	4.06	3.13
XP1515	1 IPS	—			9.50	4.31	3.13
XP1616	1 1/4 IPS	—	3.50	1/2	11.50	5.81	4.31
XP1717	1 1/2 IPS	—			12.00	6.44	4.31
XP1818	2 IPS	—			12.00	7.00	4.63
XP1919	2 1/2 IPS	—	4.00	5/8	13.00	8.50	5.25
XP1919HC		—			13.00	8.50	5.25
XP2020	3 IPS	—			13.50	7.75	6.50
XP2121	3 1/2 IPS	—			13.63	8.00	6.81
XP2222	4 IPS	—	13.63	9.06	7.44		
XP5656	1 1/4 IPS	1 1/4 IPS	3.50	1/2	11.56	5.82	4.24

TYPE UH

BUS SUPPORTS

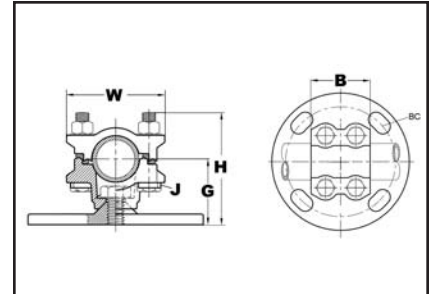
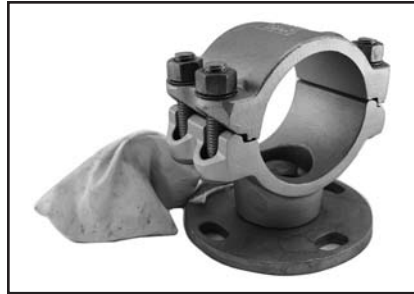
For Use On Copper Tube

High copper alloy bus support for mounting tube on a post or pedestal type insulator. Single bolt allows rotation to any angle. Rotate cap 180° for slip or rigid fit. One wrench installation. Supplied with hardware for mounting to cap of insulator. Specify base mounting hardware, if required, by adding suffix "B" to catalog number.

Material: Copper Alloy
Hardware: DURIMUM™ Silicon Bronze

Notes :

- One wrench installation
- Specify base mounting hardware, if required, by adding suffix "-B" to catalog number.
- For other sizes and availability, please contact factory.



Catalog Number	Copper Pipe Size	BC	G	J Dia.	B	H	W
UH143	3/4 IPS	3	2.00	3/8	2.50	2.88	2.63
UH153	1 IPS	3	2.00		2.50	3.00	2.88
UH155		5	2.25		2.50	3.25	2.88
UH163	1 1/4 IPS	3	2.25	1/2	2.69	3.44	3.50
UH165		5	2.38		2.69	3.56	3.50
UH173	1 1/2 IPS	3	2.50		3.00	3.81	3.81
UH175		5	2.50		3.00	3.81	3.81
UH183		3	2.75		3.00	4.31	4.63
UH185	2 IPS	5	2.75		3.00	4.31	4.63
UH193	2 1/2 IPS	3	3.13	3.00	5.00	5.25	
UH195		5	3.13	3.00	5.00	5.25	
UH203	3 IPS	3	3.63	5/8	3.25	5.81	6.19
UH205		5	3.63		3.25	5.81	6.19
UH225		4 IPS	5		4.50	3.25	7.25

TYPE UHR

BUS SUPPORTS

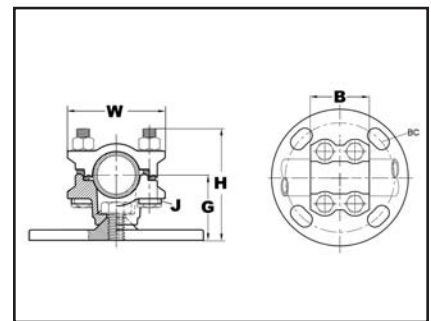
For Use On Copper Cable or Tube

High copper alloy bus support clamp for mounting a wide range of cable or tube on post or pedestal type insulators. Single bolt allows rotation to any angle. Supplied with hardware for mounting to cap of insulator. Specify base mounting hardware, if required, by adding suffix "-B" to catalog number.

Material: Copper Alloy
Hardware: DURIMUM™ Silicon Bronze

Notes :

- One wrench installation
- Specify base mounting hardware, if required, by adding suffix "-B" to catalog number
- For other sizes and availability, please contact factory



Catalog Number	Copper Stranded Range	Copper Pipe Size	BC	G	J Dia.	B	H	W
UHR133	6 AWG - 500 kcmil	1/8 IPS -	3	1.75	3/8	3.63	3.00	2.25
UHR135		1/2 IPS	5	2.13	3/8	3.63	3.38	2.25
UHR153	4/0 AWG - 1250 kcmil	1/4 IPS -	3	2.00	3/8	3.75	3.50	2.75
UHR153SS		1 IPS	3	2.00	3/8	3.75	3.50	2.75
UHR155		5	2.25	3/8	3.75	3.75	2.75	
UHR173	750 kcmil - 2500 kcmil	3/4 IPS -	3	2.50	1/2	2.88	4.25	3.94
UHR175		1 1/2 IPS	5	2.50	1/2	2.88	4.25	3.94
UHR183	N/A	1 1/4 IPS -	3	2.75	1/2	2.81	4.75	4.63
UHR185		2 IPS	5	2.75	1/2	2.81	4.75	4.63

* With maximum conductor in place.

TYPE LH

BUS SUPPORTS

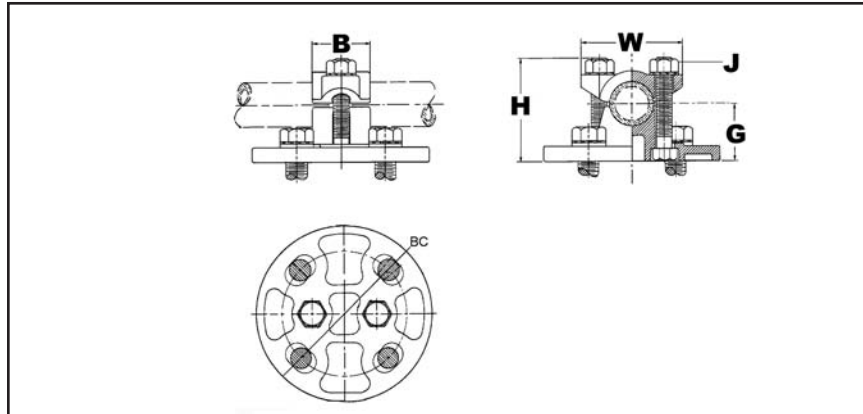
For Use On Copper Cable or Tube

High copper alloy, light duty bus support for mounting a wide range of cable or tube on post or pedestal type insulators. One-wrench installation. Supplied with hardware for mounting to cap of insulator. Specify base mounting hardware, if required, by adding suffix “-B” to Catalog No.

Material: Copper Alloy
Hardware: DURIMUM™ Silicon Bronze

Notes :

- One wrench installation.
- Specify base mounting hardware, if required, by adding suffix “-B” to catalog number.
- For applications requiring heavier duty product, please see our UH product line.
- For other sizes and availability, please contact factory.



Catalog Number	Tube	Stranded Conductor	BC	G	J Dia.	B	H	W
LH283	N/A	6 AWG-4/0 AWG	3	1.25	3/8	1.69	2.62	4.25
LH343	1/4 IPS -1/2 IPS	2/0 AWG-500 kcmil	3	1.38	3/8	1.38	2.50	4.25
LH453	1/2 IPS-1 IPS	500 kcmil-1250 kcmil	3	1.50	1/2	1.62	3.19	4.44

TYPE LHR

L-18

BUS SUPPORTS

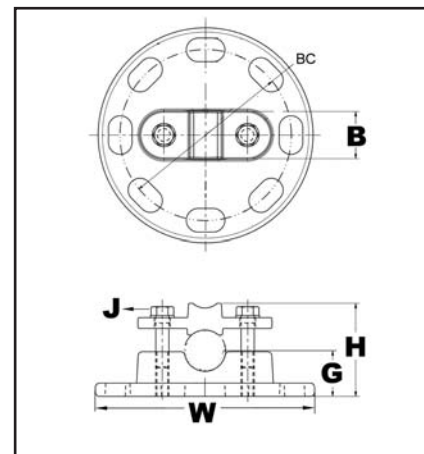
For Use On Cable Or Tube To Insulator

High copper alloy, bus support for mounting a wide range of cable or tube on post or pedestal type insulators. One-wrench installation. Supplied with hardware for mounting to cap of insulator.

Material: Copper Alloy
Hardware: DURIMUM™ Silicon Bronze

Notes :

- One wrench installation.
- Specify base mounting hardware, if required, by adding suffix “-B” to Catalog Number.
- For applications requiring heavier duty product, please see our UH product line.
- For other sizes and availability, please contact factory.



Catalog Number	Tube	Stranded Conductor	BC	G	J Dia.	B	H	W
LHR293	1/8 IPS-1/4 IPS	8 AWG-250 kcmil	3	1.23	3/8	1.00	2.03	4.25
LHR443	1/4 IPS-3/4 IPS	4/0 AWG-1000 kcmil	3	1.31	3/8	1.38	2.67	4.25
LHR445			5	1.33	3/8	1.00	2.51	6.25

TYPE NDR

STUD CONNECTORS

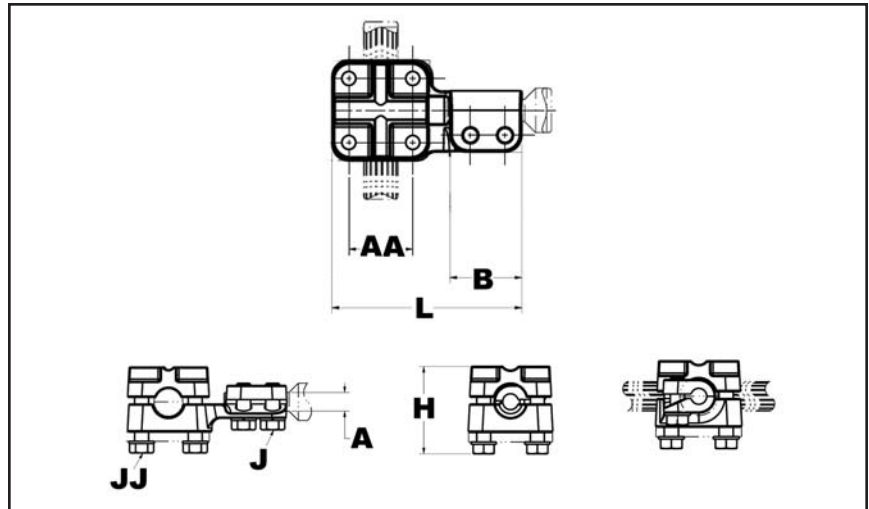
For Copper Cable, Tube, Flat Bar

High copper alloy reversible and rotatable cap stud connector joins cable, tube and flat bar in-line or at right angles to equipment studs. Accommodates a wide range of cables or tubes. One-wrench installation.

Material: Copper Alloy
Hardware: DURIMUM™ Silicon Bronze

Notes :

- Plated versions: add the required suffix to the catalog number. -TN for regular tin plating
- Please contact factory for other sizes, combinations and availability
- One-wrench installation.



Catalog Number	Stud A	J Dia.	Threads per inch	B	AA Stranded Cable	JJ Dia.	L	H
NDR6334T13	1/2	3/8	13	1.62	6 AWG-500 kcmil	3/8	4.28	2.25
NDR6328T13			13	1.53	6 AWG-4/0 AWG	3/8	3.62	1.75
NDR6434T12	3/4		12	1.53	6 AWG-500 kcmil	3/8	4.09	2.24
NDR6434T16			16	1.53		3/8	4.09	
NDR6428T16			16	1.53	6 AWG-4/0 AWG	3/8	3.60	1.74
NDR6444T16			16	1.53	2 AWG-1000 kcmil	1/2	4.66	2.82
NDR64534T14	7/8		14	1.53	6 AWG-500 kcmil	3/8	4.16	1.91
NDR6534T12	1		12	1.53		3/8	3.96	2.24
NDR6534T14			14	1.53		3/8	3.96	
NDR6528T14			14	1.53	6 AWG-4/0 AWG	3/8	4.09	1.74
NDR6544T14			14	1.53	2 AWG-1000 kcmil	1/2	4.73	2.82
NDR65534T12	1-1/8		12	1.53	6 AWG-500 kcmil	3/8	3.97	2.24
NDR65528T12		12	1.53	6 AWG-4/0 AWG	3/8	4.12	1.75	
NDR65544T12		12	1.53	2 AWG-1000 kcmil	1/2	4.66	2.82	
NDR6748T12	1-1/2	1/2	12	2.03	4/0 AWG-2000 kcmil	1/2	5.78	3.25
NDR67548T12	1-3/4		12	2.03		1/2	6.56	2.51
NDR67544T12			12	2.03	2 AWG-1000 kcmil	1/2	6.28	3.12
NDR6848T12	2		12	2.03	4/0 AWG-2000 kcmil	1/2	6.56	2.82
NDR6844T12			12	2.03	2 AWG-1000 kcmil	1/2	6.12	2.88
NDR68544T12			2-1/4	12		2.50	1/2	6.81

L-19

Substation Copper Bolted Stud Connector | 230kV

BURNDY®

TYPE FD

STUD CONNECTORS

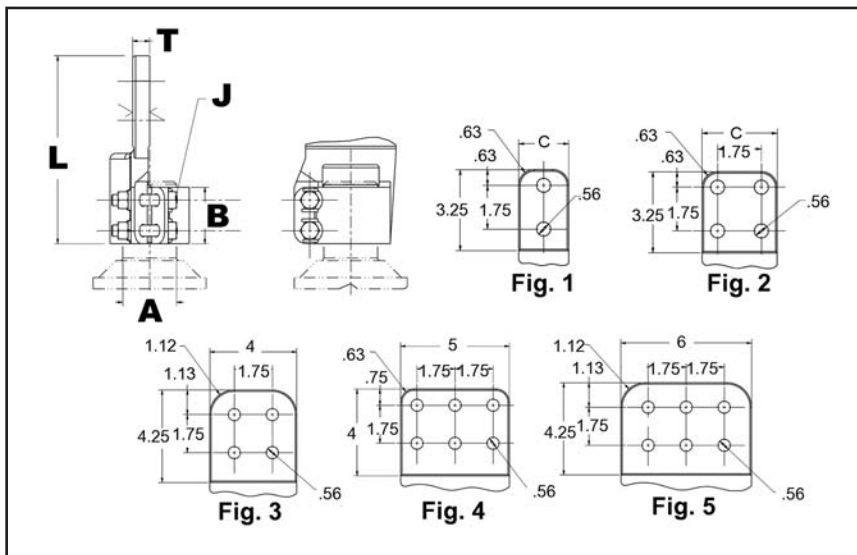
For Stud to Flat Bar

High copper alloy stud connector allows bolting cable and tubing terminals to equipment studs. Hex head captured bolts provide one-wrench installation. One pad contact surface is on centerline of stud. Pad is finished on both sides. All pads are four hole NEMA drilled.

Material: Copper Alloy
Hardware: DURIMUM™ Silicon Bronze

Notes :

- Plated versions: add the required suffix to the catalog number. -TN for regular tin plating
- Pad is finished on both sides
- Amperage rating given is for indoor conditions
- Please contact factory for other sizes, combinations and availability
- One-wrench installation



L-20

Catalog Number	Fig. #	Stud A	Threads per inch	Nominal Ampere Rating	B	J Dia.	L	T
FD64C5T16	2	3/4	16	1000	1.75	3/8	5.72	5/16
FD65C6T14	2	1	14	1075	1.75	3/8	5.72	3/8
FD655C6	2	1-1/8	12	1075	1.75	3/8	5.80	3/8
FD655D6	3		12	1300	1.75	3/8	6.86	3/8
FD66C6	2	1-1/4	12	1075	1.75	3/8	5.78	3/8
FD66D6	3		12	1300	1.75	3/8	6.84	3/8
FD675C8	2	1-3/4	12	1100	2.18	1/2	6.32	1/2
FD675D8	3		12	1450	2.18	1/2	7.39	1/2
FD68C8	2	2	12	1100	2.18	1/2	6.35	1/2
FD68D8	3		12	1450	2.18	1/2	7.42	1/2
FD68D12	3		12	2100	2.18	1/2	7.42	3/4
FD685C8	2	2-1/4	12	1100	2.50	1/2	6.71	1/2
FD685D8	3		12	1450	2.50	1/2	7.77	1/2
FD685D12	3		12	2100	2.50	1/2	7.77	3/4
FD69C8	2	2-1/2	12	1100	2.50	1/2	6.77	1/2
FD69D8	3		12	1450	2.50	1/2	8.03	1/2
FD69D12	3		12	2100	2.50	1/2	8.03	3/4
FD70D12	3		3	12	2100	2.88	5/8	8.26
FD70D16	3	12		3000	2.88	5/8	8.24	1

TYPE QGFL

BARTAP™

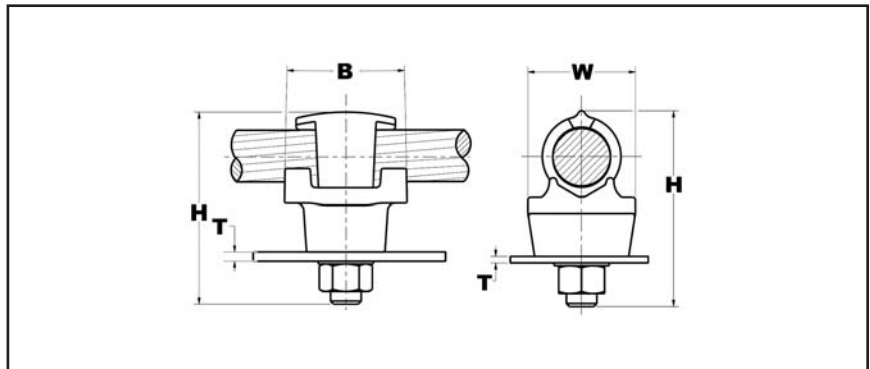
For Copper Cable to Flat

High copper alloy BARTAP™ for joining a range of cable to bar or pad. One-wrench installation.

Material: Copper Alloy

Notes :

- Can be installed side by side or in-line on NEMA drilled bar.



Catalog Number	Copper Conductor	B	H	J Dia.	T (Max)	W
QGFL1CB1	#10 Sol-#1 Str	1-1/8	1-7/8	3/8	1/4	1
QGFL1CB1T6	#10 Sol-#1 Str	1-1/8	2-3/8	3/8	3/4	1
QGFL26B1	#8 Sol-#2/0 Str	1-1/4	2-1/8	3/8	1/4	1-1/8
QGFL26B1T6	#8 Sol-#2/0 Str	1-1/4	2-5/8	3/8	3/4	1-1/8
QGFL26B2	#8 Sol-#2/0 Str	1-1/4	2-8/25	1/2	1/4	1-1/8
QGFL26B2T6	#8 Sol-#2/0 Str	1-1/2	2-40/50	1/2	3/4	1-1/8
QGFL29B1	#6 Str-250 kcmil	1-2/5	2-5/8	1/2	1/4	1-3/8
QGFL29B1T6	#6 Str-250 kcmil	1-5/8	3-1/8	1/2	3/4	1-3/8
QGFL31B1	2 AWG-350 kcmil	1-3/4	2-7/8	1/2	1/4	1-5/8
QGFL31B1T6	2 AWG-350 kcmil	1-3/4	3-1/4	1/2	3/4	1-5/8
QGFL34B1	1/0 -500 kcmil	2	3-1/8	1/2	1/4	1-3/4
QGFL34B1T6	1/0 -500 kcmil	2	3-5/8	1/2	3/4	1-3/4
QGFL39B1	350 kcmil-750 kcmil	2-1/4	3-1/4	1/2	1/4	1-3/4
QGFL39B1T6	350 kcmil-750 kcmil	2-1/4	3-5/8	1/2	3/4	1-3/4
QGFL44B1	750 kcmil-1000 kcmil	2-1/4	3-3/8	1/2	1/4	2-1/8
QGFL44B1T6	750 kcmil-1000 kcmil	2-1/4	4-1/8	1/2	3/4	2-1/8
QGFL46B1	1000 kcmil-1500 kcmil	2-1/4	4	1/2	1/4	2-1/2
QGFL46B1T6	1000 kcmil-1500 kcmil	2-1/4	4-1/2	1/2	3/4	2-1/2
QGFL48B1	1500 kcmil-2000 kcmil	2-1/4	4-3/4	1/2	1/4	3

L-21

TYPE FCB

TRANSFORMER TAP ADAPTERS

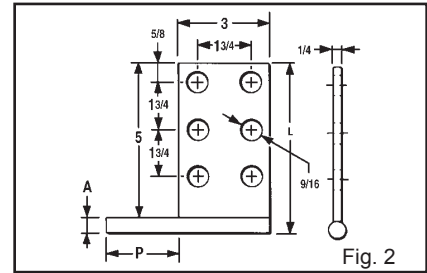
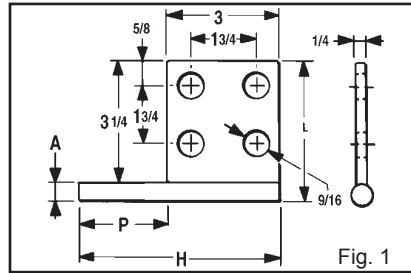
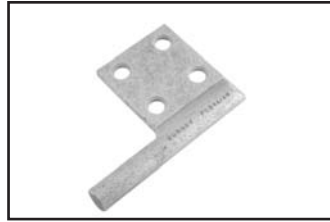
For Use On Copper And Aluminum

Cast in one piece from copper alloy. Transformer tap adapter designed to accommodate from 1 to 6 NEMA drilled copper or aluminum terminal taps from a single secondary transformer outlet. Tin-plated. Order mounting hardware and tap terminals separately.

Material: Copper

Notes :

- Plated versions: add the required suffix to the catalog number. -TN for regular tin plating
- Please contact factory for other sizes, combinations and availability



Catalog Number	Fig. No.	A Diameter	H Ref.	L	P
FCB63-4N	1	0.50	5.25	3.75	2.25
FCB63-6N	2	0.50	5.25	5.50	2.25
FCB64-4N	1	0.75	5.75	4.00	2.75
FCB64-6N	2	0.75	5.75	5.75	2.75
FCB65-4N	1	1.00	7.00	4.25	4.00
FCB63-2NP300	Not Shown	0.50	5.00	3.50	3.00
FCB64-44NP50	Not Shown	0.75	9.00	5.00	5.00

NOTE: All pads are NEMA drilled.

TYPE E-C-G

L-22

TAP ADAPTERS

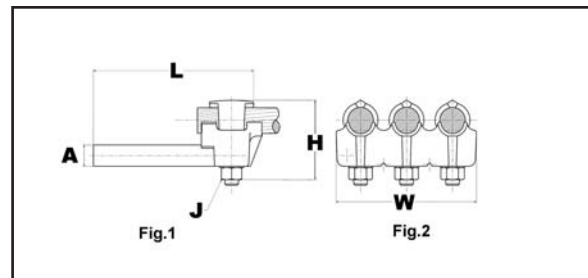
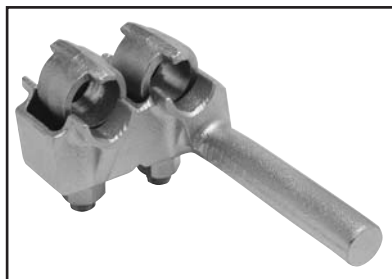
For Use On Copper Cable

Multi-tap, range-taking cast copper alloy connector designed to take 2, 3 or 4 conductors from a single secondary transformer outlet.

Material: Copper Alloy

Notes :

- Plated versions: add the required suffix to the catalog number. -TN for regular tin plating
- Please contact factory for other sizes, combinations and availability



Catalog Number	Number of Conductors	Conductor Size	A Dia.	H	J	L	W
E2C34G1	2	1/0 -500 kcmil	0.78	3.88	1/2	6.25	3.50
E3C34G1	3						5.25
E4C34G1	4						6.88

TYPE HFBW

BAR CLAMPS

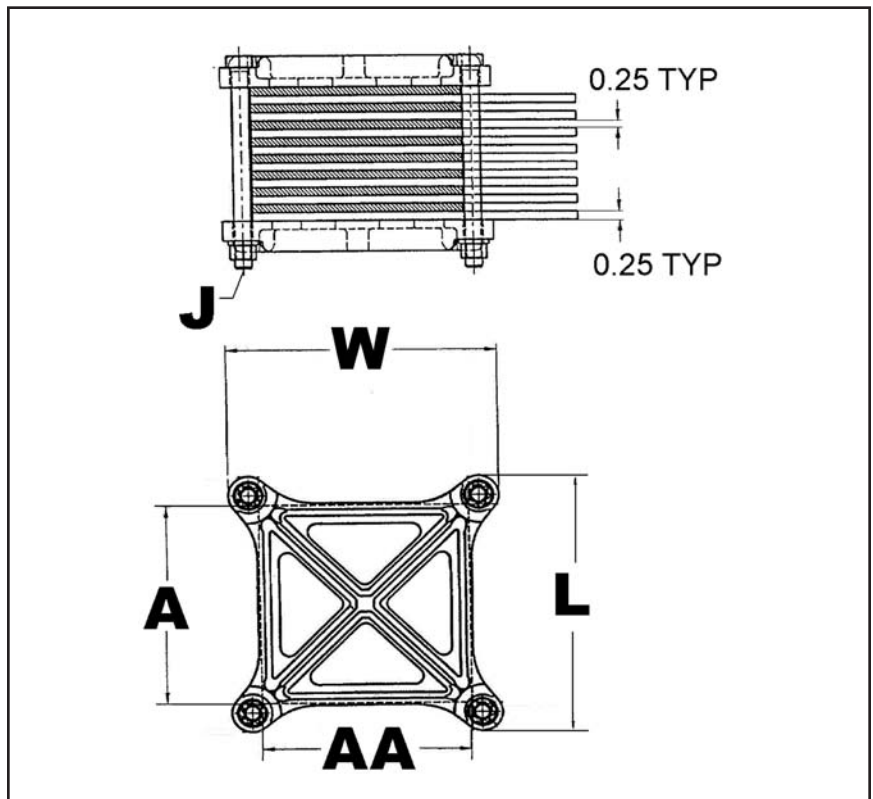
For Use On Copper Bar

The clamp assembly eliminates the need for drilling the flat bar and may be used in either indoor and outdoor applications. The open web design provides a uniform clamping pressure while minimizing the weight of the connector.

Material: Copper Alloy

Notes :

- Please contact factory for other sizes, combinations and availability.



Catalog Number	A	AA	J Dia.	L	W
HFB44G30W	4.00	4.00	1/2	5.75	5.75
HFB44G31W	4.00	4.00	1/2	5.75	5.75
HFB44G32W	4.00	4.00	1/2	5.75	5.75

L-23

TYPE HFB-P1

BAR CLAMP ASSEMBLY COMPONENTS

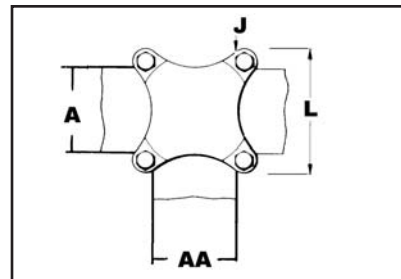
For Use On Copper Bar

To build your own high strength clamp assembly for multiple flat bar using type HFB-P1 bar clamps and clamping hardware, the following tables have been provided. The clamp assembly eliminates the need for drilling the flat bar and may be used in either indoor and outdoor applications. Hardware not included.

Material: Copper Alloy

Notes :

- Please contact factory for other sizes, combinations and availability



Catalog Number	A	AA	J Dia.	L
HFB22P1	2.00	2.00	3/8	4.38
HFB33P1	3.00	3.00	3/8	4.38
HFB42P1	4.00	2.00	3/8	5.75
HFB44P1	4.00	4.00	1/2	5.75
HFB52P1	5.00	2.00	1/2	6.75
HFB53P1	5.00	3.00	1/2	6.75
HFB54P1	5.00	4.00	1/2	6.75
HFB55P1	5.00	5.00	5/8	7.13
HFB62P1	6.00	2.00	1/2	7.75
HFB63P1	6.00	3.00	1/2	7.75
HFB64P1	6.00	4.00	1/2	7.75

TYPE HFB-N

BAR CLAMP TAP PAD ADAPTERS

L-24

For Use On Copper Bar

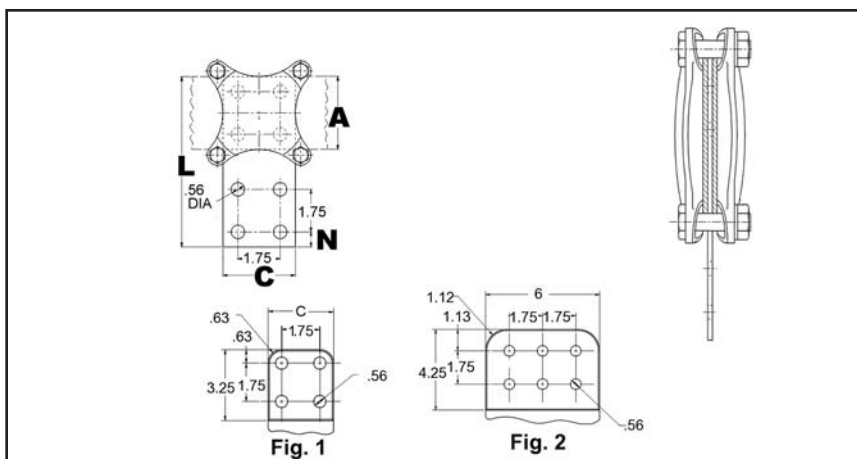


High conductivity copper, tap pad adapter provides a NEMA drilled contact pad when assembled to the HFB-P1 clamps. Tap connections can be made from copper bus bar(s) without drilling, by bolting standard mechanical or compression terminal pads directly to the pre-drilled tap pad adapter.

Material: Copper

Notes :

- Please contact factory for other sizes, combinations and availability



Catalog Number	A	C	L	N
HFB33-4N	3.00	3.00	7.00	0.62
HFB44-4N	4.00	4.00	9.12	1.12
HFB66-6N	6.00	6.00	11.31	1.12

TYPE NNT

T-CONNECTOR

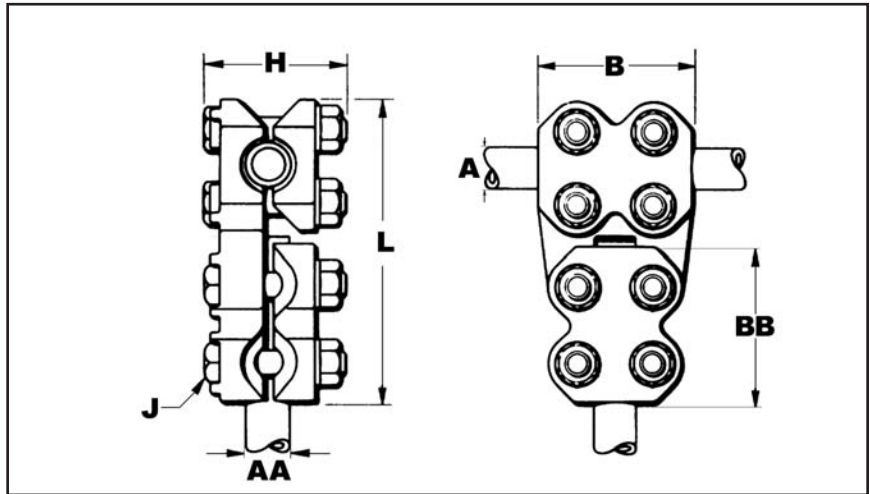
**For Aluminum and Copper
Tube to Tube**

Aluminum alloy T-Connector for tubing run and tap. Properly proportioned to permit use on copper-aluminum conductor combinations. Captured hex head bolts permit one-wrench installation. PENETROX™ joint compound recommended on contact surfaces.

Material: Aluminum Alloy
Hardware: Aluminum Hardware

Notes :

- PENETROX™ A joint compound is recommended on contact surfaces
- Please contact factory for other sizes, combinations and availability
- One-wrench installation.



Catalog Number	A - Run tube	AA - Tap tube	B	J Dia.	BB	L	H
NNT15A15A	1 IPS	1 IPS	3.50	1/2	3.50	6.81	3.38
NNT16A16A	1 1/4 IPS	1 1/4 IPS	3.75	1/2	3.75	7.44	3.38
NNT17A17A	1 1/2 IPS	1 1/2 IPS	4.00	1/2	4.00	7.88	3.88
NNT18A18A	2 IPS	2 IPS	4.25	5/8	4.25	9.06	4.44
NNT19A19A	2 1/2 IPS	2 1/2 IPS	4.50	5/8	4.50	9.38	4.94
NNT20A20A	3 IPS	3 IPS	5.00	5/8	5.00	10.94	5.44
NNT21A20A	3 1/2 IPS	3 IPS	5.50	5/8	5.00	11.06	5.56
NNT22A22A	4 IPS	4 IPS	6.00	5/8	6.00	12.63	6.19

L-25

Substation Aluminum T Connector

BURNDY®

TYPE NNTR T-CONNECTOR

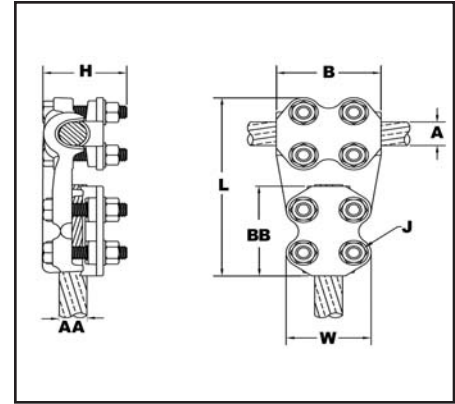
For Use On CABLE TO CABLE

Aluminum alloy T-Connector for a range of cable run to range of cable tap. One-wrench installation.

Material: Aluminum Alloy
Hardware: Aluminum Hardware

Notes :

- PENETROX™ A joint compound is recommended on contact surfaces
- Please contact factory for other sizes, combinations and availability
- One-wrench installation.



L-26

Catalog Number	A - Run Al Cable	A - Run ACSR Cable	AA - Tap Al Cable	AA - Tap ACSR Cable	B	J Dia.	BB	L	H	W
NNTR29A29A	1/0 AWG-250 kcmil	1/0 (6/1) Raven AWG-4/0 (6/1) Penquin AWG	1/0 AWG-250 kcmil	1/0 (6/1) Raven AWG-4/0 (6/1) Penquin AWG	2.75	1/2	2.75	5.56	2.56	2.50
NNTR32A25A	250 kcmil-400 kcmil	4/0 (6/1) Penquin AWG-397.5 (18/1) Chickadee kcmil	4 AWG-1/0 AWG	4 (6/1) Swan AWG-1/0 (6/1) Raven AWG	1.88	1/2	1.88	4.81	2.56	2.28
NNTR32A32A	250 kcmil-400 kcmil	4/0 (6/1) Penquin AWG-397.5 (18/1) Chickadee kcmil	250 kcmil-400 kcmil	4/0 (6/1) Penquin AWG-397.5 (18/1) Chickadee kcmil	3.00	1/2	3.00	5.94	2.56	2.63
NNTR36A29A	350 kcmil-600 kcmil	336.4 (18/1) Merlin kcmil-477.0 (18/1) Pelican kcmil	1/0 AWG-250 kcmil	1/0 (6/1) Raven AWG-4/0 (6/1) Penquin AWG	3.25	1/2	2.75	5.31	2.56	2.50
NNTR36A36A	350 kcmil-600 kcmil	336.4 (18/1) Merlin kcmil-477.0 (18/1) Pelican kcmil	350 kcmil-600 kcmil	336.4 (18/1) Merlin kcmil-477.0 (18/1) Pelican kcmil	3.25	1/2	3.25	6.31	2.56	2.75
NNTR42A32A	600 kcmil-900 kcmil	477.0 (18/1) Pelican kcmil-795 (54/7) Condor kcmil	250 kcmil-400 kcmil	4/0 (6/1) Penquin AWG-397.5 (18/1) Chickadee kcmil	3.50	1/2	3.00	6.38	3.13	2.63
NNTR42A36A	600 kcmil-900 kcmil	477.0 (18/1) Pelican kcmil-795 (54/7) Condor kcmil	350 kcmil-600 kcmil	336.4 (18/1) Merlin kcmil-477.0 (18/1) Pelican kcmil	3.50	1/2	3.25	6.63	3.13	2.75
NNTR42A42A	600 kcmil-900 kcmil	477.0 (18/1) Pelican kcmil-795 (54/7) Condor kcmil	600 kcmil-900 kcmil	477.0 (18/1) Pelican kcmil-795 (54/7) Condor kcmil	3.50	1/2	3.50	6.88	3.13	3.00
NNTR45A45A	900 kcmil-1250 kcmil	715.5 (54/7) Crow kcmil-1113 (54/19) Finch kcmil	900 kcmil-1250 kcmil	715.5 (54/7) Crow kcmil-1113 (54/19) Finch kcmil	3.75	1/2	3.75	7.31	3.25	3.19
NNTR46A42A	1250 kcmil-1600 kcmil	1113 (54/19) Finch kcmil-1431 (54/19) Plover kcmil	600 kcmil-900 kcmil	477.0 (18/1) Pelican kcmil-795 (54/7) Condor kcmil	3.75	1/2	3.50	7.25	3.44	3.00
NNTR46A46A	1250 kcmil-1600 kcmil	1113 (54/19) Finch kcmil-1431 (54/19) Plover kcmil	1250 kcmil-1600 kcmil	1113 (54/19) Finch kcmil-1431 (54/19) Plover kcmil	4.38	5/8	4.38	8.31	3.69	3.75
NNTR48A48A	1500 kcmil-2000 kcmil	1272 (54/19) Pheasant kcmil-1780 (54/19) kcmil	1500 kcmil-2000 kcmil	1272 (54/19) Pheasant kcmil-1780 (54/19) kcmil	4.50	5/8	4.50	8.63	3.81	3.88

**TYPE NNTR
T-CONNECTOR**

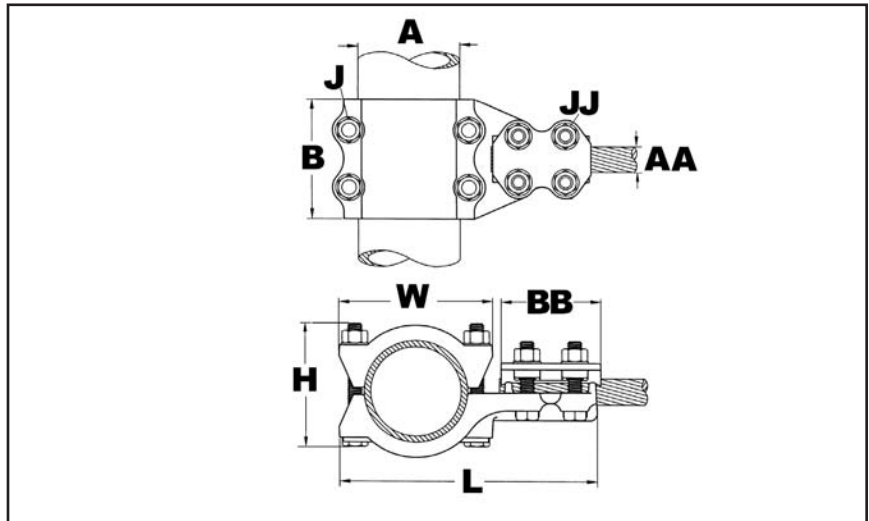
For Use On TUBE TO CABLE

Aluminum alloy T-Connector for tube run, range of cable tap. Properly proportioned to permit use on copper-aluminum combinations. One-wrench installation. PENETROX™ joint compound recommended on contact surfaces.

Material: Aluminum Alloy
Hardware: Aluminum Hardware

Notes :

- PENETROX™ A joint compound is recommended on contact surfaces
- Please contact factory for other sizes, combinations and availability
- One-wrench installation.



Catalog Number	A - Run Al Pipe	AA - Tap Al Cable	AA - Tap ACSR Cable	B	J Dia.	BB	L	H	JJ Dia.	W
NNTR14A29A	3/4 IPS	1/0 AWG-250 kcmil	1/0 (6/1) Raven AWG-4/0 (6/1) Penquin AWG	3.25	1/2	2.75	5.81	3.06	0.50	2.50
NNTR15A36A	1 IPS	350 kcmil-600 kcmil	336.4 (18/1) Merlin kcmil-477.0 (18/1) Pelican kcmil	3.50	1/2	3.25	6.56	3.31	0.50	2.75
NNTR15A42A	1 IPS	600 kcmil-900 kcmil	477.0 (18/1) Pelican kcmil-795 (54/7) Condor kcmil	3.50	1/2	3.50	6.81	3.31	0.50	3.00
NNTR16A29A	1 1/4 IPS	1/0 AWG-250 kcmil	1/0 (6/1) Raven AWG-4/0 (6/1) Penquin AWG	3.75	1/2	2.75	6.44	3.31	0.50	2.50
NNTR16A32A	1 1/4 IPS	250 kcmil-400 kcmil	4/0 (6/1) Penquin AWG-397.5 (18/1) Chickadee kcmil	3.75	1/2	3.12	6.69	3.31	0.50	2.63
NNTR16A42A	1 1/4 IPS	600 kcmil-900 kcmil	477.0 (18/1) Pelican kcmil-795 (54/7) Condor kcmil	3.75	1/2	3.50	7.19	3.31	0.50	3.00
NNTR17A29A	1 1/2 IPS	1/0 AWG-250 kcmil	1/0 (6/1) Raven AWG-4/0 (6/1) Penquin AWG	4.00	1/2	2.75	6.69	3.81	0.50	2.50
NNTR18A29A	2 IPS			4.00	1/2	2.75	7.56	4.44	0.50	2.50
NNTR19A42A	2 1/2 IPS	600 kcmil-900 kcmil	477.0 (18/1) Pelican kcmil-795 (54/7) Condor kcmil	4.00	5/8	3.50	8.88	5.00	0.63	3.00
NNTR20A32A	3 IPS	250 kcmil-400 kcmil	4/0 (6/1) Penquin AWG-397.5 (18/1) Chickadee kcmil	4.00	1/2	3.00	9.00	5.44	0.50	2.63
NNTR22A46A	4 IPS	1250 kcmil-1600 kcmil	1113 (54/19) Finch kcmil-1431 (54/19) Plover kcmil	6.00	5/8	4.38	11.25	6.19	0.63	3.75

L-27

Substation Aluminum Bolted Coupler

BURNDY®

TYPE NS-A

COUPLER

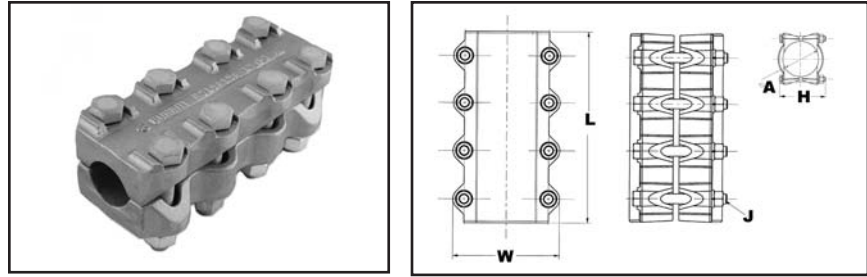
For Use On Aluminum Tube To Tube

Aluminum alloy coupler for joining equal sizes of tube end to end. Properly proportioned to permit use on aluminum-copper conductor combinations. One-wrench installation. PENETROX™ joint compound recommended on contact surfaces.

Material: Aluminum Alloy
Hardware: Aluminum Hardware

Notes :

- PENETROX™ A joint compound is recommended on contact surfaces
- Please contact factory for other sizes, combinations and availability



Catalog Number	A - tube	J Dia.	L	H	W
NS14A14A	3/4 IPS	1/2	6.75	2.06	2.80
NS15A15A	1 IPS		7.25	2.18	3.06
NS16A16A	1 1/4 IPS		7.75	3.50	3.41
NS17A17A	1 1/2 IPS		8.25	4.00	3.64
NS18A18A	2 IPS	5/8	8.75	4.62	4.50
NS19A19A	2 1/2 IPS		9.31	4.26	5.00
NS20A20A	3 IPS		10.25	5.62	5.63
NS21A21A	3 1/2 IPS		8.00	5.25	6.14
NS22A22A	4 IPS		12.00	5.94	6.62
NS23A23A	4 1/2 IPS		13.25	6.38	7.14
NS24A24A	5 IPS		14.38	6.94	7.70
NS86A86A	6 IPS		16.25	8.04	8.76

TYPE NA-A

TERMINAL

L-28

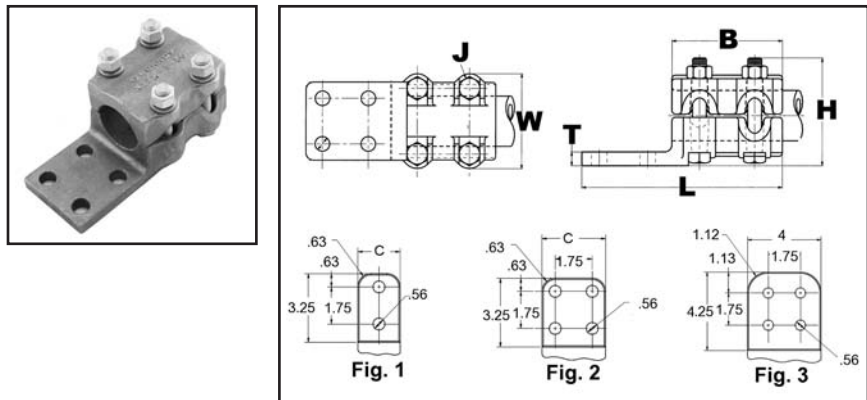
For Use On Tube To Flat

Aluminum alloy terminal for joining copper or aluminum tube to copper or aluminum pad.

Material: Aluminum Alloy
Hardware: Aluminum Hardware

Notes :

- Properly proportioned to minimize conductor corrosion due to galvanic action. When properly used, this item does not require use of bimetallic plates. Please ask BURNDY® Technical Support for recommendations
- PENETROX™ A joint compound is recommended on contact surfaces
- Please contact factory for other sizes, combinations and availability
- One wrench installation



Catalog Number	Al tube	B	C	J Dia.	L	H	T	W
NA15A-2N	1 IPS	3.50	1.88	1/2	6.75	3.38	0.38	3.06
NA15A-4N		3.50	3.00	1/2	6.75	3.38	0.38	3.06
NA16A-2N	1 1/4 IPS	3.75	2.25	1/2	7.00	3.38	0.44	3.40
NA17A-2N	1 1/2 IPS	4.00	2.50	1/2	7.50	3.88	0.50	3.64
NA17A-4N		4.00	3.00	1/2	7.50	3.88	0.50	3.64
NA18A-2N	2 IPS	4.25	2.75	5/8	7.50	4.47	0.50	4.50
NA18A-4N		4.25	3.12	5/8	7.50	4.47	0.50	4.50
NA19A-4N	2 1/2 IPS	4.50	3.75	5/8	7.75	4.97	0.69	5.00
NA20A-4N	3 IPS	5.00	4.38	5/8	8.31	5.47	0.69	5.62
NA22A-4N	4 IPS	6.00	5.25	5/8	9.31	6.22	0.81	6.62

TYPE XA-A

EXPANSION TERMINAL

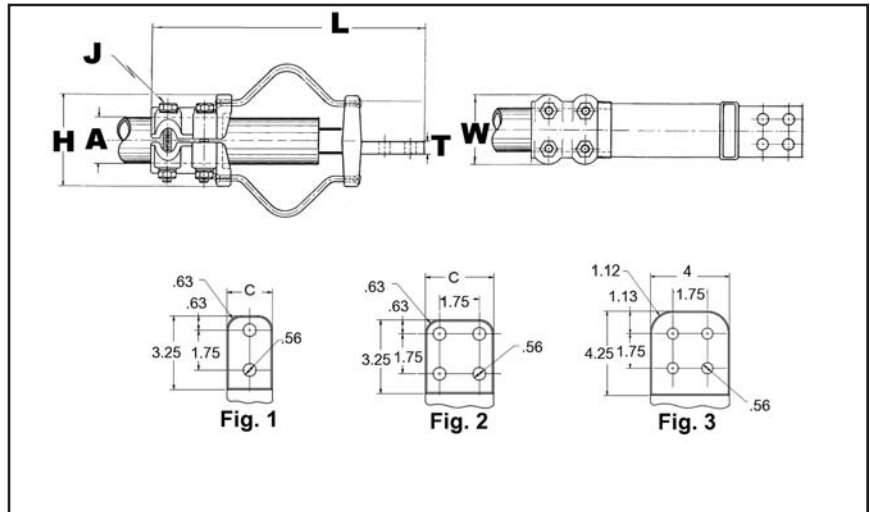
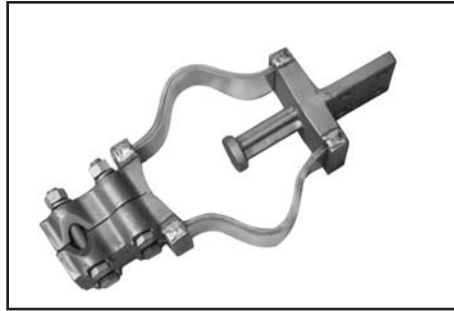
For Use On Expansion Tube To Flat

Aluminum alloy expansion connector for joining tube to copper or aluminum bar or equipment pads. Flexible aluminum straps allow for longitudinal or lateral movement and carries full current load of the joint. PENETROX™ joint compound recommended on contact surfaces. Pad contact surface is on centerline of conductor.

Material: Aluminum Alloy
Hardware: Aluminum Hardware

Notes :

- PENETROX™ A joint compound is recommended on contact surfaces
- One side of pad finished on centerline of tubing. For finished pads on both sides add suffix “-Q” to catalog number.



Catalog Number*	Fig. #	Al tube Schd 40	C	J Dia.	L	H	T	W
XA15A-4N	2	1 IPS	3.00	1/2	13.19	3.70	0.38	3.06
XA16A-4N	2	1 1/4 IPS	3.00	1/2	13.62	4.00	0.44	3.41
XA18A-4N	2	2 IPS	3.12	5/8	15.50	5.26	0.50	4.50
XA19A-4N	2	2 1/2 IPS	3.75	5/8	16.94	5.72	0.69	5.00
XA20A-4N	2	3 IPS	4.38	5/8	18.52	6.80	0.69	5.62
XA21A-4N	2	3 1/2 IPS	4.75	5/8	20.00	7.60	0.81	6.12
XA22A-4N	2	4 IPS	5.25	5/8	21.00	8.16	0.81	6.62
XA24A-4N	2	5 IPS	6.50	5/8	24.15	9.74	0.81	7.69

* Conforms to 4-hole NEMA mounting standards.

Substation Aluminum Bolted Terminal I 230kV

BURNDY®

TYPE NAR

TERMINAL

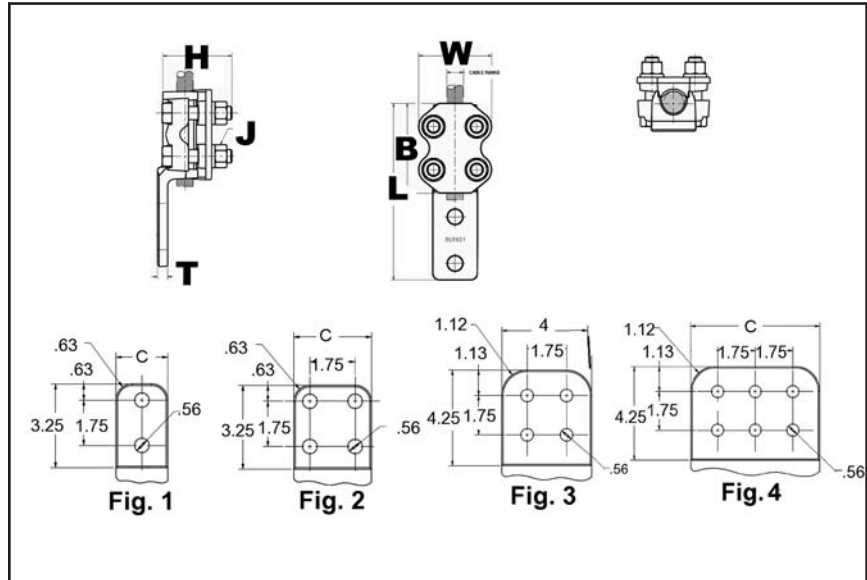
For Use On Cable To Pad

Aluminum alloy bolted type terminal for joining aluminum cable to copper or aluminum pads. Drilling in pad conforms to NEMA Standards. PENETROX™ joint compound recommended on contact surfaces.

Material: Aluminum Alloy
Hardware: Aluminum Hardware

Notes :

- Properly proportioned to minimize conductor corrosion due to galvanic action. When properly used, this item does not require use of bimetallic plates. Please ask BURNDY® Technical Support for recommendations.
- PENETROX™ A joint compound is recommended on contact surfaces.
- Please contact factory for other sizes, combinations and availability.
- One-wrench installation.



L-30

Catalog Number	Fig. #	Aluminum Stranded	Aluminum ACSR	B	J Dia.	L	H	C	T	W
NAR25A2N	1	4 AWG-1/0 AWG	4 (6/1) Swan AWG-1/0 (6/1) Raven AWG	2.00	1/2	5.10	2.72	1.25	0.31	2.28
NAR29A2N	2	1/0 AWG-250 kcmil	1/0 (6/1) Raven AWG-4/0 (6/1) Penquin AWG	2.75	1/2	6.06	2.75	1.38	0.31	2.50
NAR29A4N	2			2.88	1/2	6.06	2.75	3.00	0.31	3.00
NAR32A2N	2	250 kcmil-400 kcmil	4/0 (6/1) Penquin AWG-397.5 (30/7) Larkspur kcmil	3.00	1/2	6.31	2.88	1.63	0.38	2.63
NAR32A4N	2		4/0 (6/1) Penquin AWG-397.5 (30/7) Larkspur kcmil	3.00	1/2	6.31	2.88	3.00	0.38	3.00
NAR36A2N	2	350 kcmil-600 kcmil	336.4 (30/7) Oriole kcmil-477. (30/7) Hen kcmil	3.25	1/2	6.63	2.81	1.69	0.38	2.75
NAR36A4N	2		336.4 (30/7) Oriole kcmil-477. (30/7) Hen kcmil	3.25	1/2	6.63	2.81	3.00	0.38	3.00
NAR42A2N	1	600 kcmil-900 kcmil	477. (30/7) Hen kcmil-795 (30/19) Mallard kcmil	3.50	1/2	6.81	3.31	2.00	0.50	3.00
NAR42A4N	2			3.50	1/2	6.81	3.31	3.00	0.50	3.00
NAR45A2N	1	900 kcmil-1250 kcmil	715.5 (30/19) Redwing kcmil-1113 (54/19) Finch kcmil	2.63	1/2	7.12	3.31	2.63	0.50	3.20
NAR45A4N	2			3.75	1/2	7.12	3.31	3.00	0.50	3.20
NAR46A2N	1	1250 kcmil-1600 kcmil	1113 (54/19) Finch kcmil-1431 (54/19) Plover kcmil	4.38	5/8	7.69	3.69	2.75	0.56	3.75
NAR46A4N	2			4.38	5/8	7.69	3.69	3.00	0.56	3.75
NAR48A2N	1	1500 kcmil-2000 kcmil	1272 (54/19) Pheasant kcmil-1780 (54/19) kcmil	4.50	5/8	7.88	3.94	2.75	0.69	3.88
NAR48A4N	2			4.50	5/8	7.88	3.94	3.00	0.69	3.88

TYPE NBC-A

BOLTED CONNECTOR

For Use On Pipe To Centerline Tap Pad

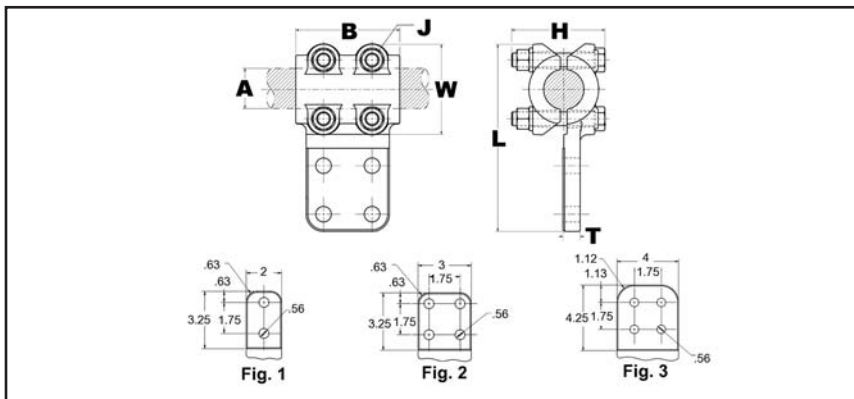


Aluminum alloy bolted type terminal for joining aluminum tube to copper or aluminum pads. Drilling in pad conforms to NEMA Standards. PENETROX™ joint compound recommended on contact surfaces.

Material: Aluminum Alloy
Hardware: Aluminum Hardware

Notes :

- Properly proportioned to minimize conductor corrosion due to galvanic action. When properly used, this item does not require use of bimetallic plates. Please ask BURNDY® Technical Support for recommendations
- PENETROX™ A joint compound is recommended on contact surfaces
- Please contact factory for other sizes, combinations and availability
- One-wrench installation.



Catalog Number	Fig. #	Al tube	B	J Dia.	L	H	T
NBC14A2N	1	3/4 IPS	3.25	1/2	6.56	3.50	3/8
NBC15A-2N	1	1 IPS	3.50	1/2	6.81	3.00	3/8
NBC15A34N	2		3.50	1/2	6.81	3.00	3/8
NBC16A2N	1	1 1/4 IPS	3.75	1/2	7.15	3.25	3/8
NBC16A34N	2		3.75	1/2	7.15	3.25	3/8
NBC16A44N	3		3.75	1/2	8.15	3.25	3/8
NBC17A2N	1	1 1/2 IPS	4.00	1/2	7.39	3.50	3/8
NBC17A34N	2		4.00	1/2	7.39	3.50	3/8
NBC17A44N	3		4.00	1/2	8.39	3.50	3/8
NBC18A2N	1	2 IPS	4.25	5/8	8.25	4.00	3/8
NBC18A34N	2		4.25	5/8	8.25	4.00	3/8
NBC18A-44N	3		4.25	5/8	9.25	4.00	3/8
NBC19A34N	2	2 1/2 IPS	4.50	5/8	8.75	4.50	1/2
NBC19A44N	3		4.50	5/8	9.75	4.50	1/2
NBC20A2N	1	3 IPS	5.00	5/8	9.37	4.50	1/2
NBC20A34N	2		5.00	5/8	9.37	4.50	1/2
NBC20A-44N	3		5.00	5/8	10.37	4.50	1/2
NBC21A44N	3	3 1/2 IPS	5.50	5/8	10.89	5.00	5/8
NBC22A2N	1	4 IPS	6.00	5/8	10.38	5.50	5/8
NBC22A34N	2		6.00	5/8	10.37	5.50	5/8
NBC22A44N	3		6.00	5/8	11.37	5.50	5/8
NBC24A2N	1	5 IPS	7.00	5/8	12.45	6.00	5/8
NBC24A34N	2		7.00	5/8	12.45	6.00	5/8
NBC24A44N	3		7.00	5/8	13.45	6.00	5/8
NBC86A44N	3	6 IPS	8.00	5/8	13.51	7.25	3/4

L-31

Substation Aluminum Bus Support

BURNDY®

TYPE UHG

BUS SUPPORT

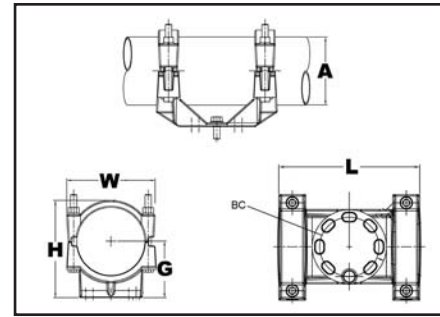
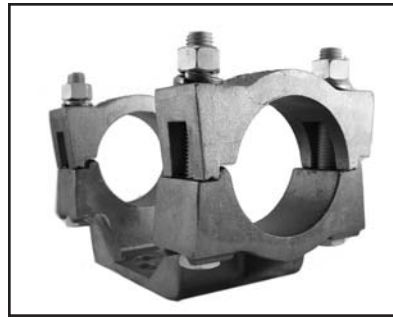
For Use On Fixed Or Rigid Pipe To
Base

Aluminum alloy bus support for mounting tube on post or pedestal insulators. Properly proportioned to minimize conductor corrosion due to galvanic action. Caps are reversible for FIX or RIGID fit. One-wrench installation. Supplied with hardware for mounting to cap of insulator.

Material: Aluminum Alloy
Hardware: Aluminum Hardware

Notes :

- PENETROX™ A joint compound is recommended on contact surfaces.
- Specify base mounting hardware, if required, by adding suffix -B to catalog number.
- For static clips add "-CH" to Catalog Number.



Catalog Number	A	BC	G	L	H	W	
UHG13A3CH	1/2 IPS	3.00	1.75	7.44	3.09	2.66	
UHG14A-3	3/4 IPS		2.00	7.44	3.50	2.94	
UHG14A3CH	3/4 IPS			7.44	3.50	2.94	
UHG15A-3	1 IPS			7.44	3.88	3.06	
UHG15A3CH	1 IPS	5.00		7.44	3.88	3.19	
UHG15A-5	1 IPS		2.25	9.82	3.82	3.19	
UHG15A5CH	1 IPS			9.82	3.82	3.19	
UHG16A3CH	1 1/4 IPS			3.00	7.68	3.79	3.50
UHG16A5CH	1 1/4 IPS	5.00		2.38	10.06	3.94	3.50
UHG17A-3	1 1/2 IPS	3.00	2.50	7.68	4.06	3.66	
UHG17A3CH	1 1/2 IPS			7.68	4.06	3.66	
UHG17A-5	1 1/2 IPS			5.00	10.06	4.06	3.66
UHG17A5CH	1 1/2 IPS				10.06	4.06	3.66
UHG18A-3	2 IPS	3.00	2.75	7.68	5.25	4.12	
UHG18A3CH	2 IPS			7.68	5.25	4.12	
UHG18A-5	2 IPS			5.00	10.06	4.61	4.12
UHG18A5CH	2 IPS				10.06	4.61	4.12
UHG19A-3	2 1/2 IPS	3.00	3.12	7.68	5.23	4.62	
UHG19A3CH	2 1/2 IPS			7.68	5.23	4.62	
UHG19A5CH	2 1/2 IPS			5.00	10.56	5.23	4.62
UHG20A3CH	3 IPS				3.00	9.25	6.09
UHG20A-5	3 IPS	5.00	3.62	10.56	6.09	5.62	
UHG20A5CH	3 IPS			10.56	6.09	5.62	
UHG20A7CH	3 IPS			7.00	12.80	8.46	8.46
UHG21A-3	3 1/2 IPS	3.00	4.00	8.18	6.74	6.16	
UHG21A3CH	3 1/2 IPS			8.18	6.74	6.16	
UHG21A5CH	3 1/2 IPS			5.00	10.56	6.74	6.16
UHG22A3CH	4 IPS				3.00	8.18	7.50
UHG22A-5	4 IPS	5.00	4.50	11.34	7.50	6.62	
UHG22A5CH	4 IPS			11.34	7.50	6.62	
UHG24A-3	5 IPS			3.00	5.25	8.68	8.86
UHG24A3CH	5 IPS	8.68	8.86			7.70	
UHG24A-5	5 IPS	5.00	11.56			8.86	7.70
UHG24A5CH	5 IPS		11.56			8.86	7.70
UHG83A5	8 IPS	5.00	7.16	11.56	11.84	10.12	
UHG86A5CH	6 IPS		5.56	11.56	9.94	8.75	

TYPE UHKR-A

BUS SUPPORT

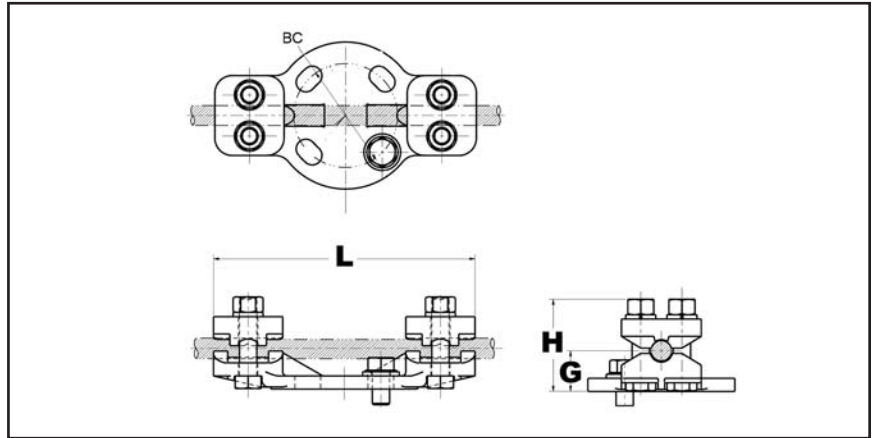
For Use On Cable Or Tube To Base

Aluminum alloy bus support for mounting a wide range of cable or tube on post or pedestal type insulators. Supplied with hardware for mounting to cap of insulator.

Material: Aluminum Alloy
Hardware: Aluminum Hardware

Notes :

- PENETROX™ A joint compound is recommended on contact surfaces.
- Specify base mounting hardware, if required, by adding suffix -B to catalog number.
- Please contact factory for other sizes, combinations and availability.



Catalog Number	Tube Size	Al Cable	ACSR Cable	BC	G *	L	H
UHKR11A3	1/4 IPS	4 AWG-4/0 AWG	6 (6/1) Turkey AWG-4/0 (6/1) Penquin AWG	3.00	1.16	7.56	2.63
UHKR11A5	1/4 IPS			5.00	1.16	8.50	2.63
UHKR13A3	3/8 IPS -1/2 IPS	250 kcmil-550 kcmil	266.8 (26/7) Owl kcmil-477. (30/7) Hen kcmil	3.00	1.32	7.56	3.88
UHKR13A5	3/8 IPS -1/2 IPS			5.00	1.32	8.88	2.88
UHKR14A3	3/4 IPS	600 kcmil-1113 kcmil	556.5 (26/7) Dove kcmil-1033.5 (54/7) Curlew kcmil	3.00	1.72	7.56	3.56
UHKR14A5	3/4 IPS			5.00	1.53	9.06	3.38
UHKR16A3	1 IPS -1 1/4 IPS	1000 kcmil-2000 kcmil	1113 (54/19) Finch kcmil-1780 (84/19) Chukar kcmil	3.00	1.97	7.56	4.06
UHKR16A5	1 IPS -1 1/4 IPS			5.00	1.80	9.25	3.88
UHKR17A3	1 1/4 IPS -1 1/2 IPS	2000 kcmil-2500 kcmil	1780 (84/19) Chukar kcmil-2156 (84/19) Bluebird kcmil	3.00	2.50	8.02	4.62
UHKR17A5	1 1/4 IPS -1 1/2 IPS			5.00	2.50	9.31	4.62

* With maximum conductor in place.

L-33

Substation Aluminum End Cap

BURNDY®

TYPE LB-A

END CAP

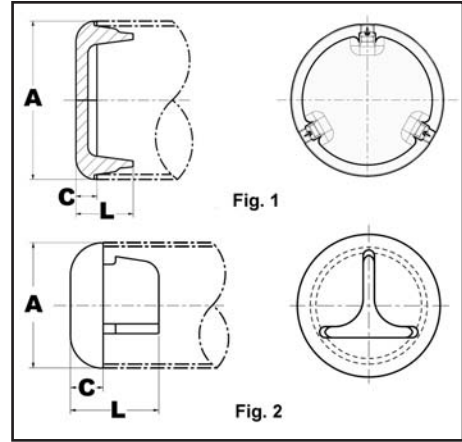
For Use On Pipe End Cap

Aluminum alloy end cap for aluminum tube. Driven into place for a secure fit. Seals out moisture, reduces electrostatic loss and eliminates hazards created by nesting birds.

Material: Aluminum Alloy
Hardware: Aluminum Hardware

Notes :

- Installation instructions available upon request.
- Please contact factory for other sizes, combinations and availability.



Catalog Number	Al tube Sch 40	Al tube Sch 80	C	L
LB13A	1/2 IPS	N/A	0.38	1.25
LB14A	3/4 IPS			1.37
LB15A	1 IPS		0.50	1.35
LB16A	1 1/4 IPS			1.35
LB17A	1 1/2 IPS			1.35
LB18A	2 IPS		0.88	2.16
LB19A	2 1/2 IPS			2.24
LB20A	3 IPS			2.29
LB21A	3 1/2 IPS			2.33
LB22A	4 IPS			2.22
LB23A	4 1/2 IPS			2.28
LB24A	5 IPS		2.45	
LB83A	8 OD		0.75	2.28
LB86A	6 IPS		0.88	2.57
LB88A	8 IPS	0.75	2.28	
LB53A	N/A	1/2 IPS	0.38	1.25
LB54A	N/A	3/4 IPS		1.37
LB55A	N/A	1 IPS	0.50	1.35
LB56A	N/A	1 1/4 IPS		1.35
LB57A	N/A	1 1/2 IPS		1.35
LB58A	N/A	2 IPS	0.88	2.16
LB59A	N/A	2 1/2 IPS		2.24
LB90A	N/A	3 IPS	0.88	2.29
LB91A	N/A	3 1/2 IPS		2.33
LB92A	N/A	4 IPS		2.22
LB94A	N/A	5 IPS		2.45
LB96A	N/A	6 IPS		2.57

TYPE WAS-A

**WELDMENT TERMINAL
CONNECTOR**

For Use On Tube To Pad

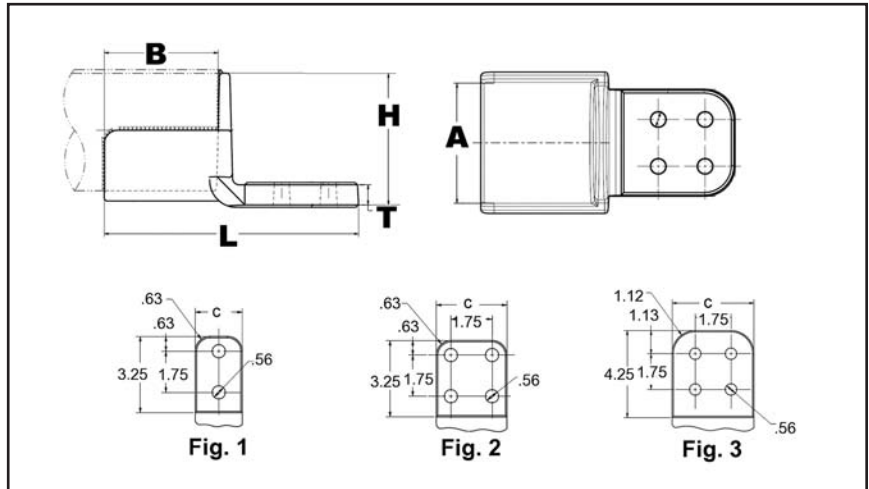


Aluminum alloy weld type terminal for joining aluminum tube to copper or aluminum pads. Drilling in pad conforms to NEMA standards. PENETROX™ joint compound recommended on pad contact surfaces.

Material: Aluminum Alloy

Notes :

- Welding to be done by customer
- Before welding scratch brush connector and conductor contact surface dry, then apply an oxide inhibitor.
- Tongue finished on one side only. For tongue finished on both sides, add suffix “-Q” to catalog number.



Catalog Number	Fig. #	Al Pipe	B	C	L	H	T
WAS14A-2N	1	3/4 IPS	2.50	2.00	6.50	1.34	19/50
WAS15A-2N	1	1 IPS	2.75	2.00	6.75	1.80	19/50
WAS15A-34N	2		2.75	3.00	6.75	1.80	19/50
WAS16A-2N	1	1 1/4 IPS	3.00	2.00	7.00	2.15	19/50
WAS16A34N	2		3.00	3.00	7.00	2.15	19/50
WAS17A-2N	1	1 1/2 IPS	3.25	2.00	7.25	2.38	11/25
WAS17A-34N	2		3.25	3.00	7.25	2.38	19/50
WAS18A-2N	1	2 IPS	3.50	2.00	7.50	2.84	11/25
WAS18A-34N	2		3.50	3.00	8.62	2.84	19/50
WAS18A44N	3		3.63	4.00	8.62	2.84	1/2
WAS19A-2N	1	2 1/2 IPS	3.63	2.00	7.87	3.32	14/25
WAS19A-34N	2		3.63	3.00	8.87	3.32	1/2
WAS19A-44N	3		3.63	4.00	8.87	3.32	1/2
WAS20A-2N	1	3 IPS	3.67	2.00	8.25	3.98	5/8
WAS20A-34N	2		3.75	3.00	8.25	3.98	31/50
WAS20A-44N	3		3.75	4.00	9.25	3.98	5/8
WAS21A34N	2	3 1/2 IPS	4.25	3.00	8.38	4.51	31/50
WAS22A34N	2	4 IPS	4.25	3.00	8.38	5.01	3/4
WAS22A-44N	3		4.25	4.00	9.38	5.01	3/4

L-35

Substation Aluminum Welded Terminal

BURNDY®

TYPE WASC-A-N

CENTREFORMED WELDEMENT TERMINAL

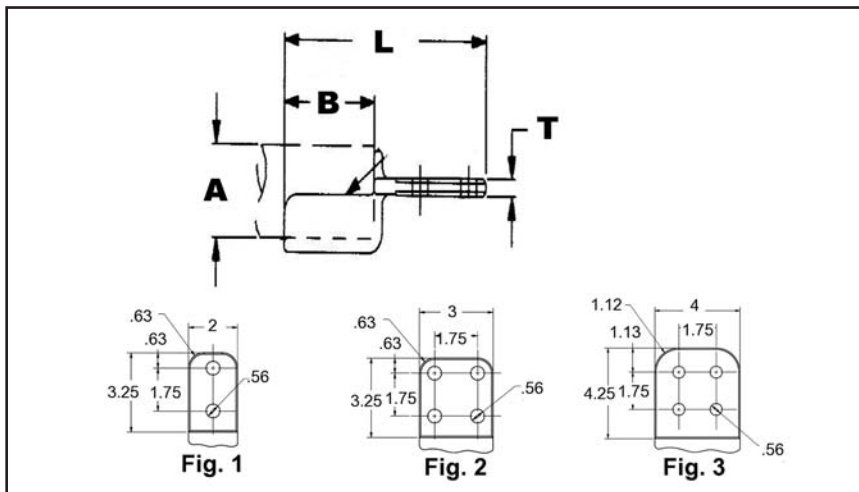
For Use On Tube To Pad

Aluminum alloy weldment terminal. Type WASC-A-N has one contact surface on the center line of the tube. Holes are NEMA spaced for terminating aluminum or copper mating pads. PENETROX™ joint compound recommended for use on contact surfaces.

Material: Aluminum Alloy

Notes :

- Welding to be done by customer
- Before welding scratch brush connector and conductor contact surface dry, then apply an oxide inhibitor.
- Tongue finished on one side only. For tongue finished on both sides, add suffix "-Q" to catalog number.



L-36

Catalog Number	Fig. #	A-All Pipe	B	L	H	T	W
WASC15A2N	1	1 IPS	2.75	6.69	1.46	19/50	2.00
WASC16A34N	2	1 1/4 IPS	3.00	7.00	1.86	19/50	3.00
WASC17A2N	1	1 1/2 IPS	3.25	7.31	2.15	7/16	2.54
WASC17A34N	2		3.25	7.31	2.15	11/25	3.00
WASC18A2N	1	2 IPS	3.50	7.56	2.62	1/2	3.03
WASC18A34N	2		3.50	7.56	2.62	1/2	3.03
WASC19A34N	2	2 1/2 IPS	3.75	7.88	3.17	14/25	3.67
WASC19A44N	3		3.75	8.88	3.17	14/25	4.00
WASC20A2N	1	3 IPS	4.00	8.13	3.79	31/50	4.29
WASC20A34N	2		4.00	8.13	3.79	31/50	4.29
WASC20A44N	3		4.00	9.13	3.79	31/50	4.29
WASC21A34N	2	3 1/2 IPS	4.25	8.38	4.28	31/50	4.79
WASC21A44N	3		4.25	9.38	4.28	31/50	4.79
WASC22A34N	2	4 IPS	4.25	8.38	4.78	3/4	5.29
WASC22A44N	3		4.25	9.38	4.78	3/4	5.29
WASC24A44N	3	5 IPS	4.25	9.50	5.95	3/4	6.59
WASC24A66N	—		4.25	9.50	5.95	3/4	6.59

TYPE WG

GROUND STUD

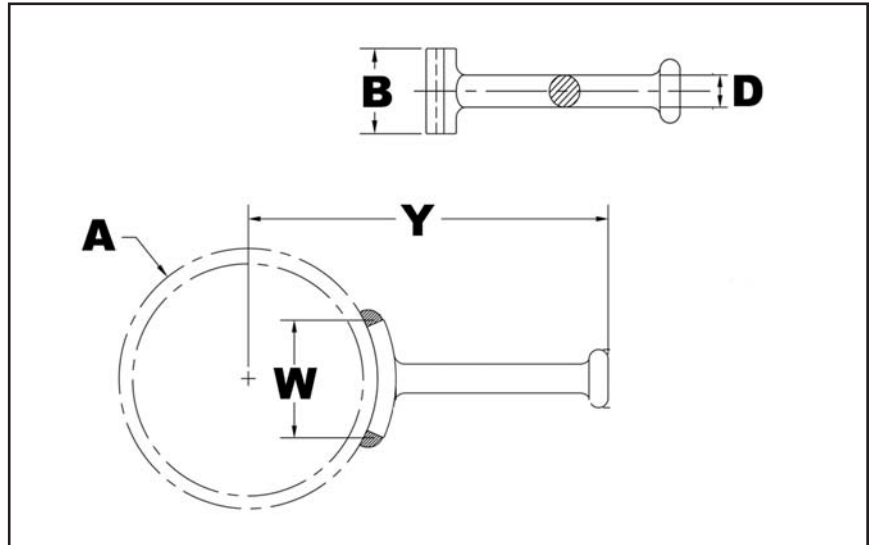
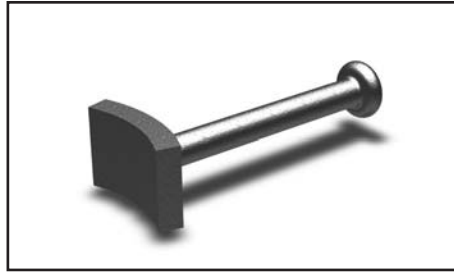
For Use On Stud To Tube

Range-taking weldment stud for grounding aluminum tube.

Material: Aluminum Alloy

Notes :

- Welding to be done by customer
- Before welding scratch brush connector and conductor contact surface dry, then apply an oxide inhibitor.
- Please contact factory for availability.



Catalog Number	Al Pipe	B	Y	D	W
WG19A	1 IPS -2 1/2 IPS	3	8.19	0.75	1.32
WG86A	3 IPS -6 IPS	2	10.31	0.75	3.06

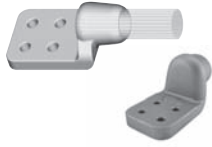
L-37

TABLE OF CONTENTS

Introduction	M-4
BURNDY® DESIGN CRITERIA	M-4
Cable Connectors	M-4
Tubular Bus Connectors	M-4
Controlling Corona	M-4
Nomogram for Determining Equivalent	M-5
Controlling Corona (continued)	M-6
Gradient Calibrator	M-6
Formula for Determining Voltage Gradient	M-7
Nomogram for Finding the Average Conductor-Surface Voltage-Gradient	M-8
Radio Interference Voltage	M-9
Effect of Conductor Size on Testing	M-9
Contamination	M-9
Conclusion	M-9

TABLE OF CONTENTS (Continued)

Welded Terminals



- Type **SWA-A-N** for Cable **M-10**
- Type **SWA-A-N** for Bus **M-11**
- Type **SWAC-A-N** for Bus **M-12**
(Center formed)
- Type **SWXA-A-NK** **M-13**
Expansion for Bus
(Corona protection 345 kV)
- Type **SWXA-A-N** **M-14**
Expansion for Bus
(Corona Rings)



Welded Couplers



- Type **WSLB-A** Bus to Bus **M-15**
- Type **WS-A** Bus to Bus **M-16**
- Type **SWXP-A-A** **M-17**
Bus to Bus Expansion



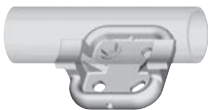
Welded T-Connectors



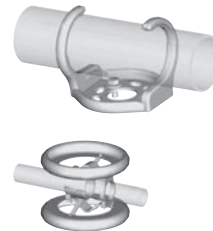
- Type **SWAB-A-N** Bus to Pad **M-18**
- Type **SWT-A-A** Bus to Bus **M-19, M-20**
- Type **SWT-A-A-75** 75° Angle **M-21**
- Type **SWAT-A-A-30** 30° Angle **M-22**



Welded Bus Supports



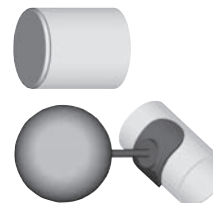
- Type **SWOH-A** Fixed Bus **M-23**
Support to Insulator
- Type **SWHRH-A** Fixed or Slip Fit **M-24**
Bus Support to Insulator
- Type **SWVH-A** Vertical **M-25**
- Type **SWXHP-A** Bus to Bus **M-26**
Expansion Coupler to Insulator



Miscellaneous



- Type **SWL-A** Bus to Bus Elbow **M-27**
90°
- Type **WLB-A** Bus to End Cap **M-28**
- Type **SCB-A** Bus to Corona Bell **M-28**
- Type **SWCB-A** Ground Stud **M-29**
Bus to Corona Sphere
- Type **WSBC** Ball Coupler **M-30**



M-2

TABLE OF CONTENTS (Continued)



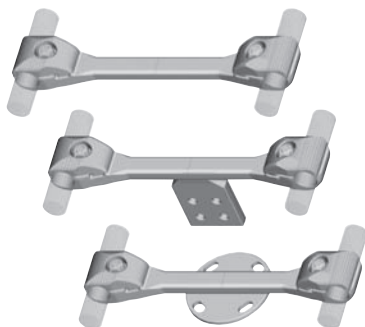
Shielding Caps

Type **STS-A-N** Bolted 2-Piece

M-31

Type **STS-A-NCG** Bolted 1-Piece

M-31



Cable Spacers

Types **S2GBP-A** Spacer,
S2GBPA-A Terminal Tap,
SH2GBP-A Bus Support

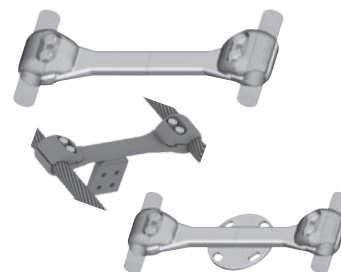
M-32,

M-33

Types **S2GBP-AB2** Spacer,
S2GBPA-AB2 Terminal Tap,
SH2GBP-A-B2 Bus Support

M-34,

M-35



Type **S3GBP-A** Three Cable

M-36

Bifurcating Terminal

Type **SF2A-NL-EX**

M-37



Trifurcating Terminal

Type **SW3A-A44N8** Coupler
Bus to Trifurcating Terminals

M-38

Type **SW3AB-A44N8** T-Connector
Bus to Trifurcating Terminals

M-39



M-3

INTRODUCTION

Connectors for use in EHV Substations must meet essentially the same electrical and mechanical requirements as those for other power connectors. However, operations at extra high voltages imposes an important additional requirement. They must not produce corona discharges that interfere with radio reception and cause energy loss.

Corona forms when the voltage gradient at the surface of a conducting material exceeds a critical value and ionizes the surrounding air. For conductors, the four basic factors that determine surface voltage gradient are distance from ground, conductor diameter, phase spacing and voltage.

In A.C. circuits, there are two basic kinds of corona. Negative corona forms during the negative half cycle, and positive corona during the positive half cycle. Negative corona generally appears as a glow on conventional conductors at about 20 kV rms/cm. Its amplitude is relatively low and cause no significant radio interference. Positive corona appears as a plume at above 30 kV rms/cm. Its amplitude is about 50 times higher than that for negative corona and is the major cause of radio interference.

BURNDY® EHV connectors are designed so that under fair weather operation conditions the voltage gradient at the connector surface will be at a level that will not cause corona and the resultant radio interference. (RIV)

BURNDY® DESIGN CRITERIA

Cable Connectors

For reasons of economy, EHV systems using stranded conductor are generally designed to operate at voltage gradients close to the negative corona onset level. It is essential, therefore, that connectors provide corona-free performance superior to that of the cable. So our design criterion calls for the voltage which corona extinguishes from the connector to be higher than the voltage at which it extinguishes from the cable. This criterion is met by eliminating all projections and by providing smooth contours on all surfaces. On compression elements, the ends are especially critical. Carefully designed tapers are provided to keep the voltage gradient at a level lower than that on the conductor. Of course,

it is still necessary during installation to smooth crimped elements.

On accessories, like spacers for bundled lines, the critical areas are those at the edges of the bundle. The bundle itself generally shields those parts that fall within it. Many projections that would cause corona on a single conductor line are quiet when they fall within the shielding influence of a bundle. However, those parts that fall at the edges are carefully finished at the factory to insure corona-free operation.

Tubular Bus Connectors

Station designers choose tubular bus sizes on the basis of mechanical rather than electrical requirements. For instance, stations that only need 4" IPS to meet electrical and corona requirements often have 6" IPS as main buses. The resultant voltage gradient on these buses is very low, perhaps only 10 kV rms/cm, well below the corona onset level.

It is impractical therefore, to require that connectors operate quieter than the bus regardless of the voltage. Under some circumstances, it might be impossible to meet such criteria. In most cases, it would be prohibitively expensive to do so.

Of course, theoretically optimum connectors could be designed for each application, based on the design voltage gradient for individual stations. However, in most cases even differences as great as that between 345 and 500 kV don't have a meaningful impact on connector costs. So, from a practical point of view, it is feasible to design most connectors for 500 kV operation. This makes it more convenient for the station designers to select and order connectors.

Bus connectors are designed to provide corona-free performance under conditions of actual operation. This is done by calculating the voltage gradient on the surface of the bus at 500 kV, using the phase spacing and ground distance typical for this voltage. Connectors are then designed to operate corona free when the voltage gradient on the bus is 10% above this value.

The exceptions to this rule are the flexible expansion connectors. Those designed for 345 kV are self-shielding. Those for 500 kV have

separate shielding rings. Experimental work on self-shielding 500 kV expansion connectors indicates that the margin of safety is too small to justify recommending them for this voltage.

Controlling Corona

Since corona is caused when the voltage gradient at the surface of a conducting material reaches a level that causes the surrounding air to break down, then obviously, the way to prevent corona is to keep the gradient below this critical level.

From this point of view the connector designer, this can be accomplished in three ways:

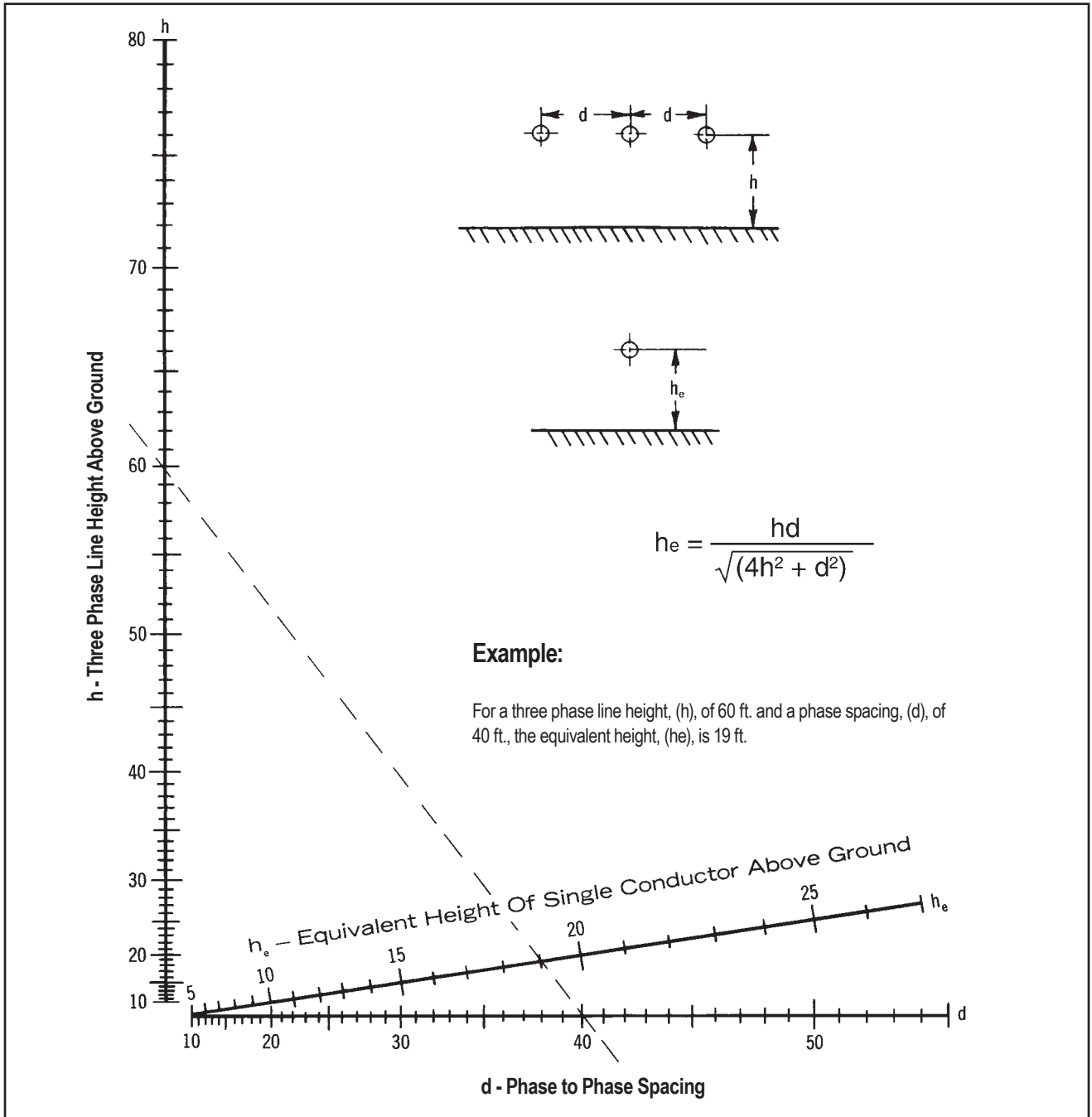
1. By providing generous radii on all outside surfaces to keep the voltage stresses to a minimum.
2. By providing shielding rings.
3. By placing the connector within the shielding influences of some part of the bus structure.

Since it is impossible for the connector designer to know the exact configuration of every bus system where the connectors might be used, the third approach is not practical. So, for the purposes of developing a standard line, we concentrate on the first two.

Whenever possible, connectors are designed to be self-shielding. This approach leads to less costly and less obtrusive designs. Only in the case of complicated connector configurations do BURNDY® EHV designs use corona rings. Examples of such applications are disconnectable equipment taps, expansion couplers and equipment terminals which often have configurations that preclude the use of self-shielding designs.

NOMOGRAM FOR DETERMINING THE EQUIVALENT

HEIGHT (he) OF A THREE PHASE LINE



M-5

Nomogram for determining the equivalent height of a single conductor line having the same average voltage of gradient as the CENTER conductor of a horizontally spaced three phase

line, with the same line to ground voltage and the same conductor size. All dimensions measured in the same units.

The use of the laboratory is based on the fact that it is the surface voltage gradient that causes corona. Although most systems consist of 3 phase conductors and a ground plane, it is a rather simple matter to duplicate in the laboratory the conductor surface voltage gradient as it exists on any of these phase conductors with a single conductor and a ground plane.

The formulas and nomograms give this three phase to single phase equivalency. Because this conversion is possible, all EHV testing is done single phase; and there is no necessity for 3 phase testing with its high cost in terms of equipment and space.

Since voltage gradient is the significant factor, the single phase test does not have to be done at the full voltage of an operation system. By setting up

the test closer to the ground plane, the operation voltage gradient can be obtained with a lower test voltage. There is a limit, however, below which the height cannot be lowered lest corona onset and flashover occur simultaneously. Generally, the minimum test height should be about 10 times the diameter of the test conductor.

GRADIENT CALIBRATOR

Normally the conductor surface voltage gradient at the extinction of corona in the laboratory is calculated using the accompanying equations. However, for test setups involving unusual conductor configurations, the conductor gradient cannot be readily calculated. In these cases, a gradient calibrator may be used. This is a small sphere mounted on the conductor. It has

previously been calibrated for each conductor size to establish the surface voltage gradient that starts positive corona on the sphere. With it tests can be duplicated in any number of laboratories. The applied voltages and ground distances could all be different. But the voltage gradient on the surface of the conductor when the corona occurs on the sphere will always be the same. The calibrator provides a convenient bench mark for measuring the corona performance of connectors.

In use, the sphere is mounted on the conductor in a connector test setup. The voltage is raised until there is a corona on the sphere. We already know from previous calibration what the voltage gradient on the surface of the conductor is at this point.



The sphere is removed and the voltage raised until there is a corona on the conductor. Since the voltage gradient increases directly with increases in applied voltage, the gradient on the conductor at this point can be readily calculated.

It is important to note that the significant parameter is the voltage gradient on the surface of the conductor. It is not necessary to know the gradient on the connector. The conductor gradient

in any given substation is controlled by its design parameters and may be calculated using the following formulae and nomograms. Once the gradient is known, it is unnecessary to have any other information to design connectors. As long as connectors are corona-free at a conductor voltage gradient higher than that planned for the conductor, the connector will be corona-free under fair weather operating conditions.

There may be on occasion be unusual situations where choice of *conductor*, station geometry or clearance problems cause the need for connectors of special design. Where this is the case, BURNDY is prepared to design corona-free devices to operation under such conditions.

Formula for Determining the Voltage Gradient Notations Used

h = line to ground distance (cm)
r = radius of the individual conductor (cm)
s = conductor spacing in the bundle (cm)
d - phase to phase spacing of the line (cm)
V = line to ground voltage (kV)
E_a = average gradient at the surface of the conductor (kV/cm)

E_m = maximum gradient on the surface of a single conductor
h_e = equivalent single phase line to ground distance (cm)
r_e = equivalent single conductor radius (cm) of bundled conductors
n = number of conductors in the bundle

$$E_a = \frac{V}{r \cdot 1n \cdot \frac{2h}{r}} \qquad E_m = \frac{h}{h - r} E_a$$

The maximum gradient (E_m) occurs on the side facing the ground plane.

The center conductor has a gradient about 5% higher than the outside conductors. The gradient on the center phase may be calculated using the formula for the single conductor.

Single phase system and substituting (h_e) from the following formula or attached nomograms for the height about the ground (h). For the center phase:

$$E_a = \frac{V}{r \cdot 1n \cdot \frac{2h}{r}} \qquad h_e = \frac{hd}{\sqrt{(4h^2 + d^2)}}$$

It should be noted that h_e is somewhat smaller than $\frac{d}{2}$

$$E_a = \frac{V}{n \cdot r \cdot 1n \cdot \frac{2h}{r_e}} \qquad \text{in which } r_e = r \left(\frac{s}{r} \right)^{\frac{n-1}{n}}$$

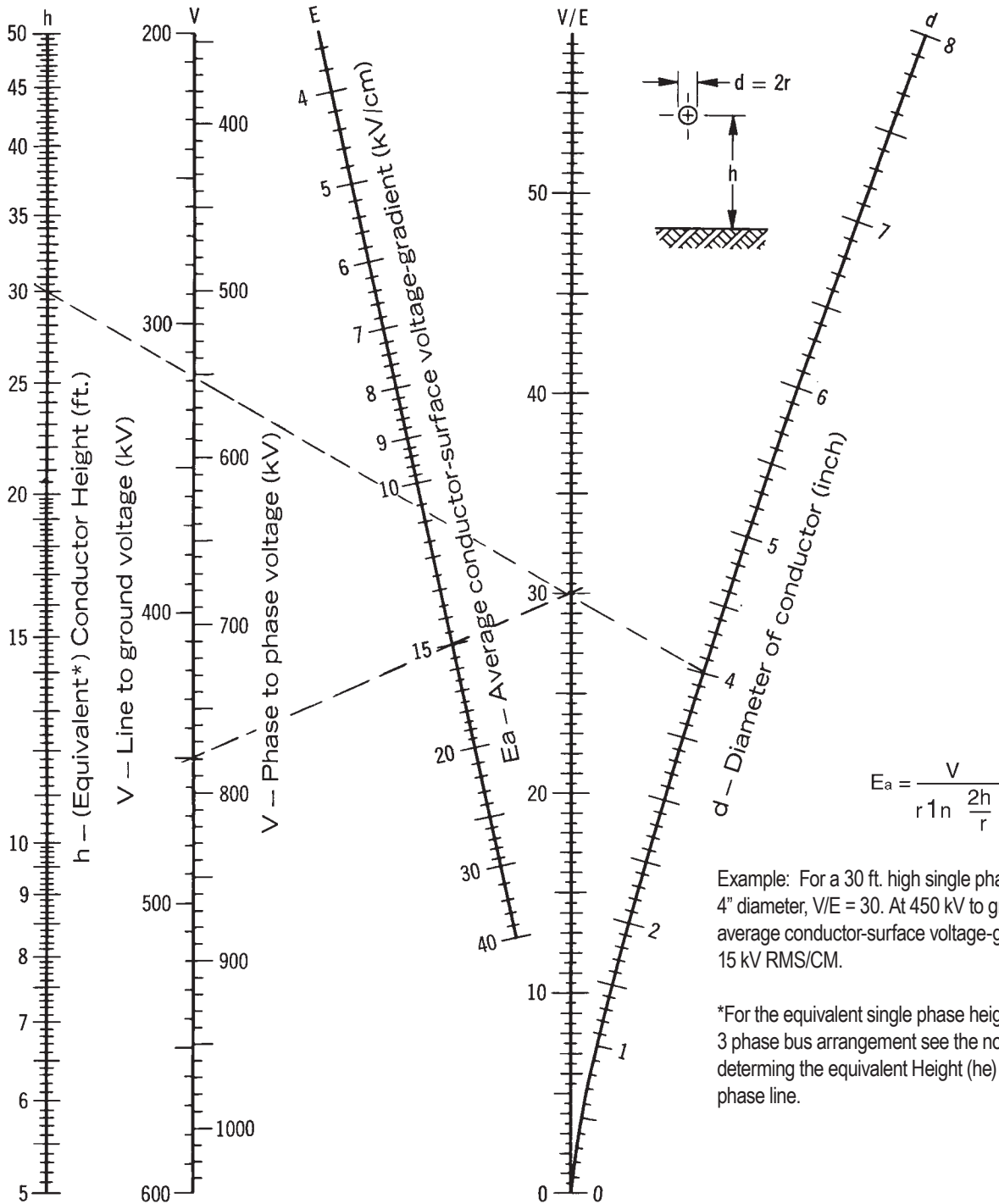
The value of “*l*” is unity for 1-, 2-, and 3- conductor bundles and 1.12 for 4- conductor bundles.

Bundled Conductor - Three Phase

This case may be reduced to the single bundled conductor case by replacing h with h_e in the equation. The definition of h_e is identical to that given for the single conductor — three phase situation.

M-7

NOMOGRAM FOR FINDING THE AVERAGE CONDUCTOR-SURFACE VOLTAGE-GRADIENT FROM LINE DIMENSIONS AND VOLTAGE



M-8

**RADIO INTERFERENCE
VOLTAGE**

There is serious question as to whether measurement of RIV on connectors makes a meaningful contribution to quieter station operation.

Under test conditions, there is generally no significant indication on the radio noise meter until the onset of visible positive corona. At this point, the RIV reading goes into the hundreds of thousands of microvolts. The effect of this phenomenon is to provide a visibly discernable point at which RIV will be excessive. It eliminates the necessity to make, record and plot RIV measurements. Where there is no corona, there is no RIV. So our test criterion calling for no visible corona insures that there will be no radio interference generated by the connector under operating conditions.

**EFFECT OF CONDUCTOR
SIZE ON TESTING**

Conductor diameter has a significant effect on potential corona problems. The larger the diameter, the lower the surface voltage gradient for a given test voltage. This means that smaller conductors produce corona at lower voltages than larger ones.

Many connector designs have the same basic configuration for various conductor sizes. The only difference being the size of the attaching elements. This is particularly true for many of the welded type connectors. Where this is the case, it is often sufficient to test the connector only on the smallest conductor, since it yields the lowest corona extinction voltage. When there is any doubt, each size is tested.

CONTAMINATION

Much work has been done to establish the relationship between the corona onset voltage for

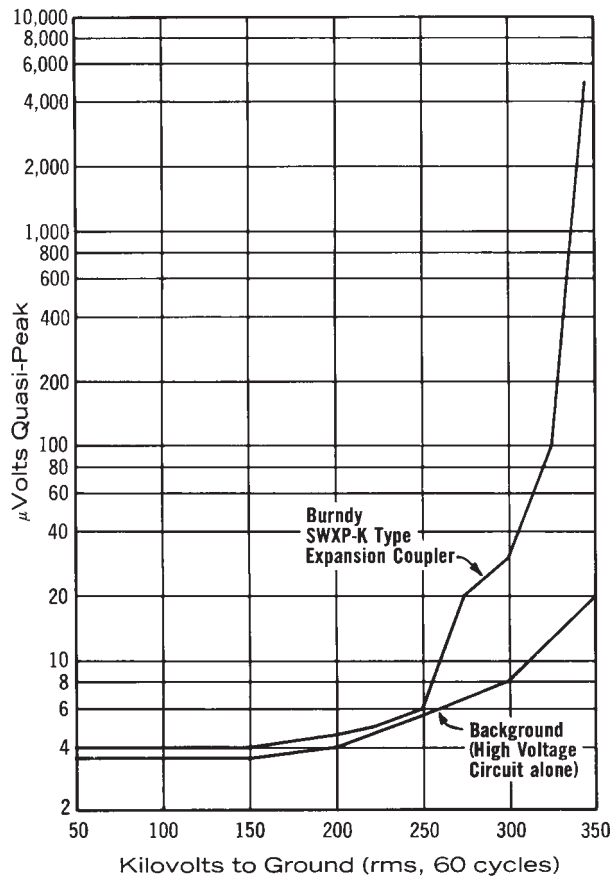
contaminated as compared to clean hardware. Experiments in the BURNDY laboratory indicate that this value can be reduced to half of the voltage for clean hardware. However, the relationship varies with the kind of contamination, atmospheric condition and type of connector.

There have been a number of attempts to produce artificial contamination and atmospheres in laboratories. However, there is as yet no clearly established relationship between the corona performance of hardware contaminated in the laboratory. Until such a relationship is established, the only testing that provides comparable data is on clean hardware under fair weather conditions.

CONCLUSION

For more than 85 years, BURNDY has been designing connectors for the industry's most critical applications. Connectors for EHV are an outgrowth of this tradition. Whether your need is for catalog items or special designs, you can count on electrical, mechanical and corona-free performance, commensurate with the application.

TYPICAL CURVE

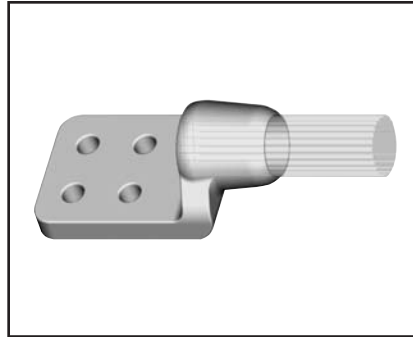


M-9

**WELDED TERMINAL
CONNECTOR**

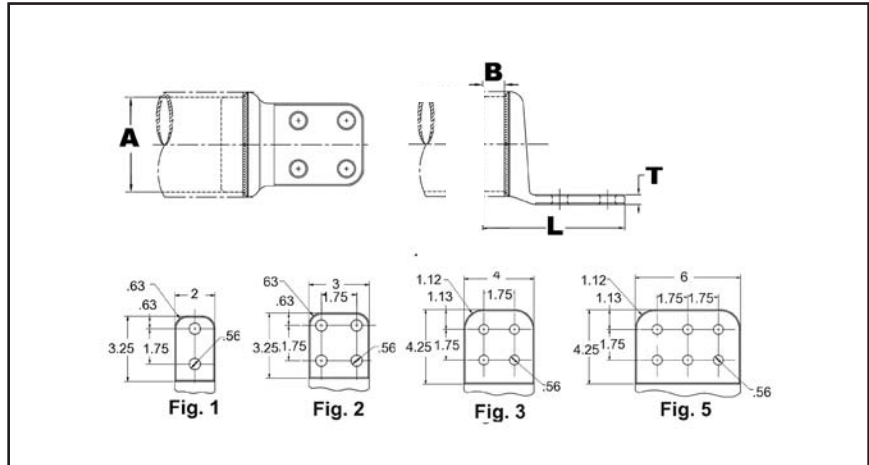
SWA-A-N for Cable

Weld type
Application: Cable to Two or Four
Hole Pad (offset
terminal)



**EHV RATED: UP TO 550 kV
when used with
shielding caps**

Material: Cast 356 Aluminum Alloy



M-10

Catalog Number	Accommodates "A" Dia.		Str.	Max. Dia.	Max. Dia.	Fig. No.	B	L	T
	Alum. Cable	ACSR Cable							
SWA44R-44N	700 kcmil thru 874.5 kcmil	605 kcmil thru 874.5 kcmil	26-7 30-19	0.961 [24]	1.085 [28]	3	1.50 [38]	6.25 [159]	0.50 [13]
SWA48A-44N	2000 kcmil thru 2250 kcmil	2167 kcmil	72-7	1.606 [41]	1.740 [44]	3	2.62 [67]	7.50 [191]	0.82 [21]
SWA54R-44N	1400 kcmil thru 1600 kcmil	1272 kcmil thru 1510.5 thru	45-7	1.341 [34]	1.470 [37]	3	2.00 [51]	6.56 [167]	0.56 [14]
SWA58R-44N	1700 kcmil thru 1900 kcmil	1510.5 kcmil thru 1780 kcmil	54-49 54-19	1.471 [37]	1.605 [41]	3	2.50 [64]	7.25 [184]	0.69 [18]
SWA444A-44N	900 kcmil thru 1100 kcmil	795 kcmil thru 954 kcmil	54-7	1.086 [28]	1.210 [31]	3	1.75 [44]	6.56 [167]	0.50 [13]
SWA486A-44N	2300 kcmil thru 2500 kcmil	2156 kcmil thru 2300 kcmil	84-19 96-19	1.741 [44]	1.875 [48]	3	2.62 [67]	7.50 [191]	1.12 [28]
SWA486A-4N	2300 kcmil thru 2500 kcmil	2156 kcmil thru 2300 kcmil	84-19 96-19	1.741 [44]	1.875 [48]	2	2.62 [67]	6.12 [156]	1.12 [28]
SWA486A-66N	2300 kcmil thru 2500 kcmil	2156 kcmil thru 2300 kcmil	84-19 96-19	1.741 [44]	1.875 [48]	5	2.62 [67]	7.50 [191]	1.12 [28]
SWA493R-4N	3000 kcmil	—	127 169	1.876 [48]	2.05 [52]	2	3.00 [76]	6.75 [172]	1.00 [25]

NOTES:

1. Dimensions in brackets [] are in millimeters.
2. DOES NOT INCLUDE SHIELDING CAPS. For EHV applications, shielding caps are required. Order separately (type) shown on page 32 or ADD SUFFIX "STS" to catalog number (example: SWA54R-44NSTS), includes one Type STS shielding cap.

3. One surface of pad finished. For finished pad on both sides add SUFFIX "Q" to the catalog number (example: SWA22A-44NQ).
4. For 45 or 90 degree angle add SUFFIX "45" or "90" to catalog number (example: SWA54R-44N90).

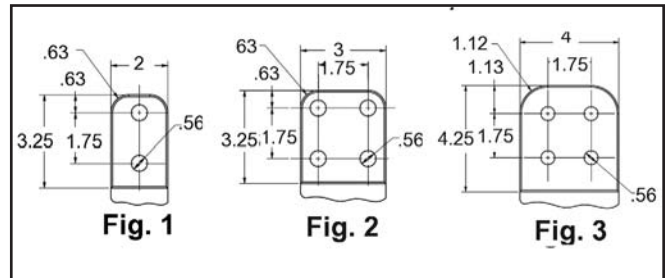
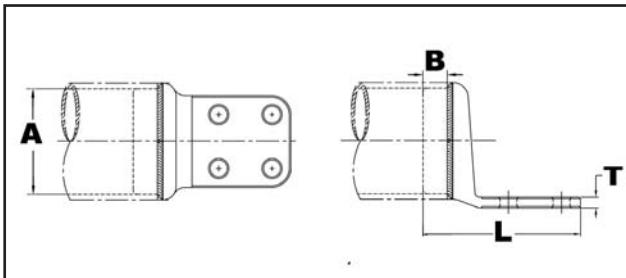
**WELDED TERMINAL
CONNECTOR**

SWA-A-N

Weld type
Application: Bus to Two or Four Hole
Pad (offset terminal)

**EHV RATED: UP TO 550 kV
when used with
Shielding Caps**

Material: Cast 356 Aluminum Alloy



Catalog Number		Accommodates "A" Dia. Alum. Tube	Fig.	B	L	T
IPS (Sch. 40)	EHPS (Sch. 80)					
SWA18A-2N	SWA58A-2N	2" (2.375 Dia.)	1	1.25 [32]	5.88 [149]	0.50 [13]
SWA18A-34N	SWA58A-34N		2	1.25 [32]	5.88 [149]	0.50 [13]
SWA18A-44N	SWA58A-44N		3	1.25 [32]	6.95 [177]	0.50 [13]
SWA19A-2N	SWA59A-2N	2-1/2" (2.875 Dia.)	1	1.50 [38]	6.36 [162]	0.56 [14]
SWA19A-34N	SWA59A-34N		2	1.50 [38]	6.36 [162]	0.56 [14]
SWA19A-44N	SWA59A-44N		3	1.50 [38]	7.40 [188]	0.56 [14]
SWA20A-2N	SWA90A-2N	3" (3.500 Dia.)	1	1.75 [44]	6.41 [163]	0.62 [16]
SWA20A-34N	SWA90A-34N		2	1.75 [44]	6.41 [163]	0.62 [16]
SWA20A-44N	SWA90A-44N		3	1.75 [44]	7.46 [189]	0.62 [16]
SWA21A-34N	SWA91A-34N	3-1/2" (4.000 Dia.)	2	1.75 [44]	6.40 [163]	0.62 [16]
SWA21A-44N	SWA91A-44N		3	1.75 [44]	7.47 [190]	0.62 [16]
SWA22A-44N	SWA92A-44N	4" (4.500 Dia.)	3	2.00 [51]	7.51 [191]	0.75 [19]
SWA23A-44N	SWA93A-44N	4-1/2" (5.000 Dia.)	3	2.00 [51]	7.77 [197]	0.75 [19]
SWA24A-34N	SWA94A-34N	5" (5.563 Dia.)	2	2.00 [51]	6.80 [173]	0.75 [19]
SWA24A-44N	SWA94A-44N		3	2.00 [51]	7.82 [199]	0.75 [19]
SWA86A-44N	SWA96A-44N	6" (6.625 Dia.)	3	2.50 [64]	7.90 [201]	1.00 [25]

NOTES:

1. Dimensions in brackets [] are in millimeters.
2. Conductor smaller than 3 inch bus size not recommended for 550 kV.
3. DOES NOT INCLUDE SHIELDING CAPS. For

4. One surface of pad finished. For finished pad on
- EHV applications, shielding caps are required. Order separately (Type STS) or ADD SUFFIX "STS" to catalog number (example: SWA22A44NSTS), includes one shielding cap.

- both sides add SUFFIX "Q" to the catalog number (example: SWA22A-44NQ).
5. For 45 or 90 degree angle add SUFFIX "45" or "90" to catalog number (example: SWA22A44N90).
6. For six hole NEMA pad contact factory.

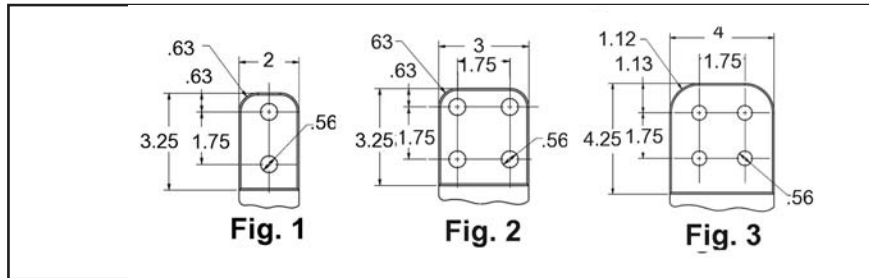
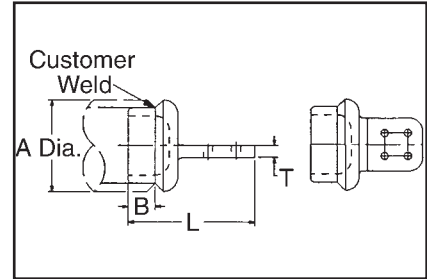
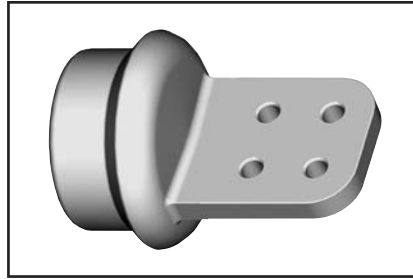
**WELDED TERMINAL
CONNECTOR**

SWAC-A-N

Weld type
Application: Bus to Two or Four
Hole Pad (center
formed)

**EHV RATED: UP TO 550 kV
when used with
Shielding Caps**

Material: Cast 356 Aluminum Alloy



M-12

Catalog Number		Conductor		Fig. No.	Dimensions In.		
IPS (Sch. 40)	EHPS (Sch. 80)	IPS	A		B	L	T
SWAC18A-2N	SWAC58A-2N	2"	2.38 [60]	1	1.25 [32]	5.80 [147]	0.50 [13]
SWAC18A-34N	SWAC58A-34N			2	1.25 [32]	5.80 [147]	0.50 [13]
SWAC18A-44N	SWAC58A-44N			3	1.25 [32]	6.86 [174]	0.50 [13]
SWAC19A-2N	SWAC59A-2N	2-1/2"	2.88 [73]	1	1.50 [38]	6.23 [158]	0.56 [14]
SWAC19A-34N	SWAC59A-34N			2	1.50 [38]	6.23 [158]	0.56 [14]
SWAC19A-44N	SWAC59A-44N			3	1.50 [38]	7.29 [185]	0.56 [14]
SWAC20A-2N	SWAC90A-2N	3"	3.50 [89]	1	1.75 [44]	6.30 [160]	0.62 [16]
SWAC20A-34N	SWAC90A-34N			2	1.75 [44]	6.30 [160]	0.62 [16]
SWAC20A-44N	SWAC90A-44N			3	1.75 [44]	7.36 [187]	0.62 [16]
SWAC21A-34N	SWAC91A-34N	3-1/2"	4.00 [102]	2	1.75 [44]	6.30 [160]	0.62 [16]
SWAC21A-44N	SWAC91A-44N			3	1.75 [44]	7.36 [187]	0.62 [16]
SWAC22A-34N	SWAC92A-34N	4"	4.50 [114]	2	2.00 [51]	6.40 [163]	0.75 [19]
SWAC22A-44N	SWAC92A-44N			3	2.00 [51]	7.40 [188]	0.75 [19]
SWAC23A-34N	SWAC93A-34N	4-1/2"	5.00 [127]	2	2.00 [51]	6.23 [158]	0.56 [19]
SWAC24A-34N	SWAC94A-34N	5"	5.56 [141]	2	2.00 [51]	6.68 [170]	0.75 [19]
SWAC24A-44N	SWAC94A-44N			3	2.00 [51]	7.72 [196]	0.75 [19]
SWAC86A-44N	SWAC96A-44N	6"	6.62 [168]	3	2.50 [64]	7.75 [197]	1.00 [25]

NOTES:

1. Dimensions in brackets [] are in millimeters.
2. Conductor smaller than 3 inch bus size not recommended for 550 kV.

3. DOES NOT INCLUDE SHIELDING CAPS. For EHV applications, shielding caps are required. Order separately (Type STS) or ADD SUFFIX "STS" to Catalog Number (example: SWAC22A44NSTS),

- includes two shielding caps.
4. Pad surface finished on both sides of tongue.
5. For six hole NEMA pad contact factory.

**WELDED EXPANSION
TERMINAL CONNECTOR**

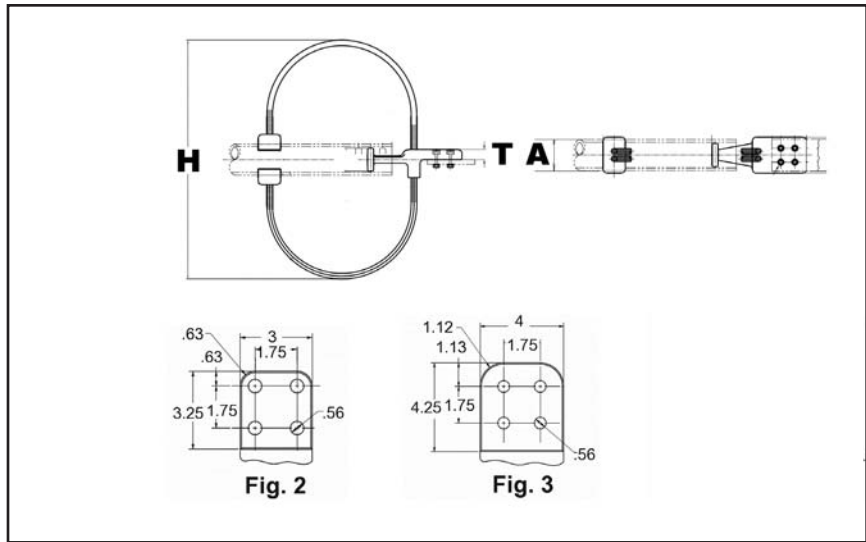
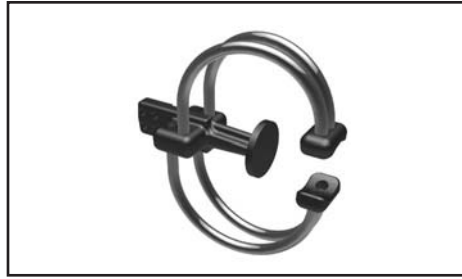
SWXA-A-NK

Welded type

Application: Bus to Four Hole Pad
(Expansion Terminal
with Corona protection)

**EHV RATED: SELF-SHIELDING
UP TO 345 kV**

- Material: Cast 356 Aluminum Alloy
- Straps: Aluminum Cables
- Rings: Aluminum Alloy Cable
- Ring mounting: Aluminum
- Base mounting: Galvanized Steel



Catalog Number	Accommodates "A" Dia. Alum. Tube	H	T	Hardware Length
SWXA20A-4NK8	3" IPS (3.500 Dia.) Sch 40	26.38 [670]	1.00 [25]	1/2"-13 X 2-3/4" LG.
SWXA22A-4NK8	4" IPS (5.500 Dia.) Sch 40	27.00 [686]		
SWXA24A-4NK8	5" IPS (5.563 Dia.) Sch 40	28.06 [713]		
SWXA86A-4NK8	6" IPS (6.625 Dia.) Sch 40	29.12 [740]		
SWXA92A-4NK8	4" IPS (4.500 Dia.) Sch 80	27.00 [686]		
SWXA94A-4NK8	5" IPS (5.563 Dia.) Sch 80	28.06 [713]		
SWXA96A-4NK8	6" IPS (6.625 Dia.) Sch 80	29.12 [740]		

NOTES:

1. Table is based on 90/ft. max BUS run.
2. Dimensions in brackets [] are in millimeters.
3. Shielding caps not required.
4. One side of pad finished. On Centerline of tubing.
For finish pad on both sides add SUFFIX "Q" to catalog number (example: SWXA22A4NK8Q).
5. Accommodates maximum pad thickness of 1.00".

Installation Data	
Bus Temp F°	3" Total Movement
	Z
-20	3.50
-10	3.36
0	3.23
10	3.09
20	2.95
30	2.82
40	2.68
50	2.54
60	2.41
70	2.27
80	2.14
90	2.00 ← NOMINAL POSITION
100	1.86
110	1.73
120	1.59
130	1.45
140	1.32
150	1.18
160	1.04
170	0.91
180	0.77
190	0.64
200	0.50

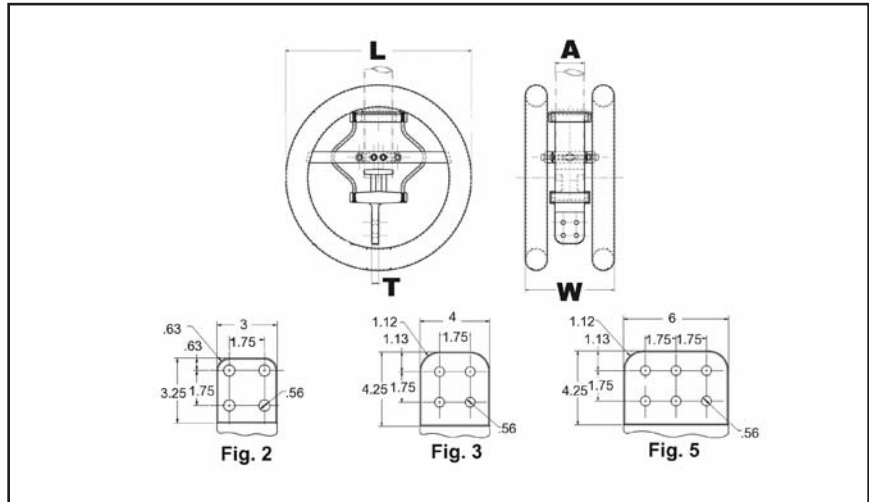
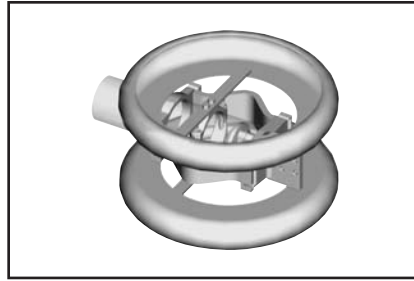
**WELDED EXPANSION
TERMINAL CONNECTOR**

SWXA-A-N

Welded type
Application: Bus to four or six hole
pad (Expansion Terminal
with Corona Rings)

**EHV RATED: SELF-SHIELDING
UP TO 550 kV**

Material: Cast 356 Aluminum Alloy
Straps: Laminated Aluminum
Rings: Aluminum Alloy
Ring mounting: Aluminum
Base mounting: Galvanized Steel



M-14

Catalog Number	Accommodates "A" Dia. Alum. Tube	T	L	W Ref.	Total Movement	Installation Data	
						Bus. Temp. of	Z
SWXA20A-44N	3" (3.500 Dia.) Sch 40	0.75 [19]	26.00 [660]	13.19 [335]	2.00 [51]	-20	2.50
SWXA22A-44N	4" (4.500 Dia.) Sch 40	0.86 [22]		13.87 [352]		-10	2.61
SWXA24A-44N	5" (5.563 Dia.) Sch 40	0.81 [21]		14.50 [368]		0	2.32
SWXA86A-44N	6" (6.625 Dia.) Sch 40	1.00 [25]		15.50 [394]		10	2.21
SWXA92A-44N	4" (4.500 Dia.) Sch 80	0.86 [22]		13.87 [352]		20	2.14
SWXA94A-44N	5" (5.563 Dia.) Sch 80	0.86 [22]		14.50 [368]		30	2.01
						40	1.95
						50	1.86
				60	1.77		
				70	1.68		
				80	1.57		
				90	1.50		
				100	1.41		
				110	1.32		
				120	1.23		
				130	1.14		
				140	1.04		
				150	0.95		
				160	0.86		
				170	0.77		
				180	0.68		
				190	0.59		
				200	0.50		

NOTES:

- Table is based on 60/ft. max BUS run.
- Dimensions in brackets [] are in millimeters.
- Shielding caps not required.
- One side of pad finished. On Centerline of tubing. For finished pad on both sides add SUFFIX "Q" to catalog number (example: SWXA22A4NQ).
- For six hole NEMA pad change the suffix to 66N (example: SWXA22A66N).

**WELDED RIGID
COUPLER**

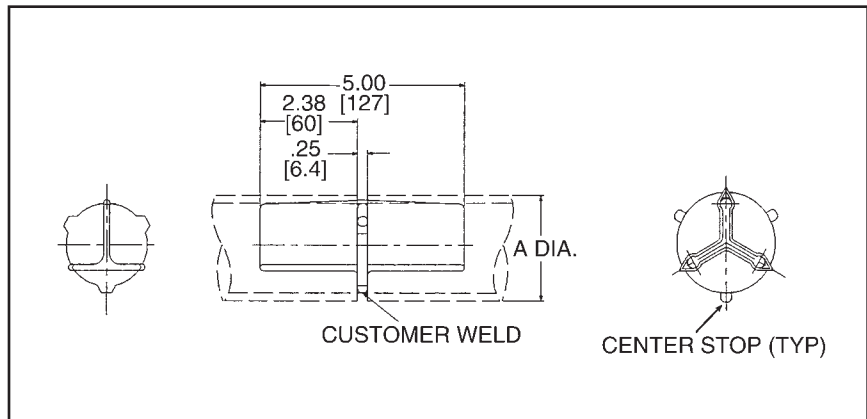
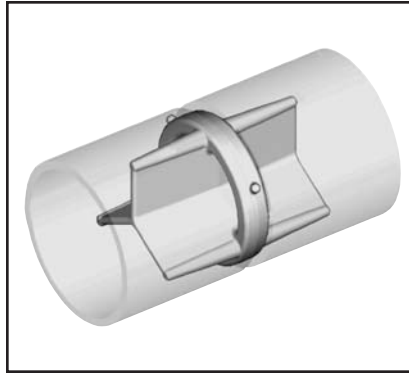
WSLB-A

Weld type

Application: Bus to Bus Coupler

**EHV RATED: SELF-SHIELDING
UP TO 550 kV**

Material: Cast 356 Aluminum Alloy



Catalog Number		OD	Conductor Aluminum Tubing Size
Sch. 40	Sch. 80		
WSLB15A	WSLB55A	1.32 [34]	1"
WSLB16A	WSLB56A	1.66 [42]	1-1/4"
WSLB17A	WSLB57A	1.90 [48]	1-1/2"
WSLB18A	WSLB58A	2.38 [60]	2"
WSLB19A	WSLB59A	2.88 [73]	2-1/2"
WSLB20A	WSLB90A	3.50 [89]	3"
WSLB21A	WSLB91A	4.00 [102]	3-1/2"
WSLB22A	WSLB92A	4.50 [114]	4"
WSLB24A	WSLB94A	5.56 [141]	5"
WSLB86A	WSLB96A	6.62 [168]	6"

NOTES:

1. Dimensions in brackets [] are in millimeters.
2. Conductors smaller than 3 inch bus size are not recommended for 550 kV.

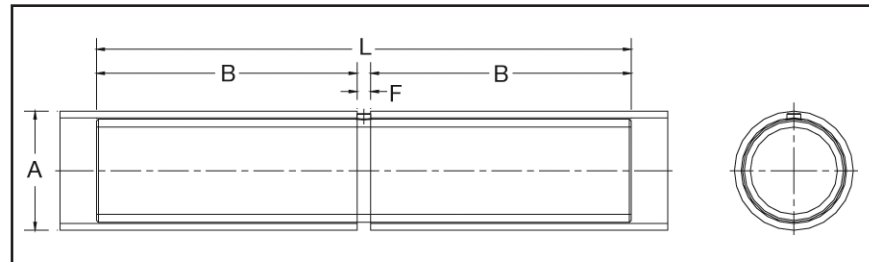
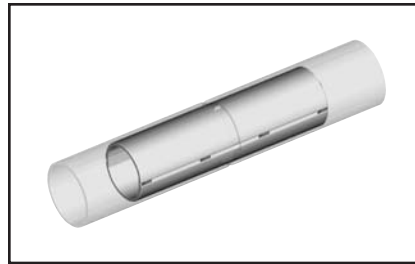
WELDED RIGID COUPLER

WS-A

Weld type
Application: Bus to Bus Coupler

**EHV RATED : SELF-SHIELDING
UP TO 550 kV**

Material: Cast 356 Aluminum Alloy



Catalog Number	Conductor (IPS) "A" Schedule 40	Conductor (EHPS) "A" Schedule 80	Dimensions Inches		
			B	F	L
WS14A	3/4" (1.050 Dia.)	—	2.13 [54.1]	0.23 [5.8]	4.50 [114.3]
WS15A	1" (Dia.)	—	2.13 [54.1]	0.23 [5.8]	4.50 [114.3]
WS16A	1-1/4" (1.660 Dia.)	—	3.60 [91.4]	0.28 [7.1]	7.50 [190.5]
WS17A	1-1/2" (1.900 Dia.)	—	4.36 [110.7]	0.29 [7.4]	9.00 [228.6]
WS18A	2" (2.375 Dia.)	—	5.88 [149.4]	0.31 [7.9]	12.00 [304.8]
WS19A	2-1/2" (2.875 Dia.)	—	7.31 [185.7]	0.39 [9.9]	15.00 [381.0]
WS20A	3" (3.500 Dia.)	—	8.81 [223.8]	0.44 [11.2]	18.00 [457.2]
WS21A	3-1/2" (4.000 Dia.)	—	8.75 [222.3]	0.47 [11.9]	18.00 [457.2]
WS22A	4" (4.500 Dia.)	—	8.75 [222.3]	0.47 [11.9]	18.00 [457.2]
WS24A	5" (5.563 Dia.)	—	8.75 [222.3]	0.50 [12.7]	18.00 [457.2]
WS58A	6" (6.625 Dia.)	—	8.75 [222.3]	0.56 [14.2]	18.00 [457.2]
WS59A	—	2" (2.375 Dia.)	5.88 [149.4]	0.31 [7.9]	12.00 [304.8]
WS86A	—	2-1/2" (2.875 Dia.)	7.31 [185.7]	0.39 [9.9]	15.00 [381.0]
WS90A	—	3" (3.500 Dia.)	8.81 [223.8]	0.44 [11.2]	18.00 [457.2]
WS91A	—	3-1/2" (4.000 Dia.)	8.75 [222.3]	0.47 [11.9]	18.00 [457.2]
WS92A	—	4" (4.500 Dia.)	8.75 [222.3]	0.47 [11.9]	18.00 [457.2]
WS94A	—	5" (5.563 Dia.)	8.75 [222.3]	0.50 [12.7]	18.00 [457.2]
WS96A	—	6" (6.625 Dia.)	8.75 [222.3]	0.56 [14.2]	18.00 [457.2]

NOTES:

1. Dimensions in brackets [] are in millimeters.
2. Conductor smaller than 3 inch bus size not recommended for 550 kV.

M-16

**WELDED EXPANSION
COUPLER**

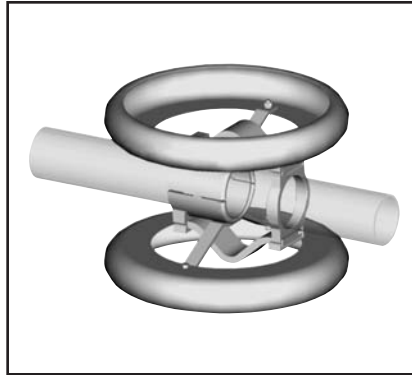
SWXP-A-A

Weld type

Application: Bus to Bus Expansion

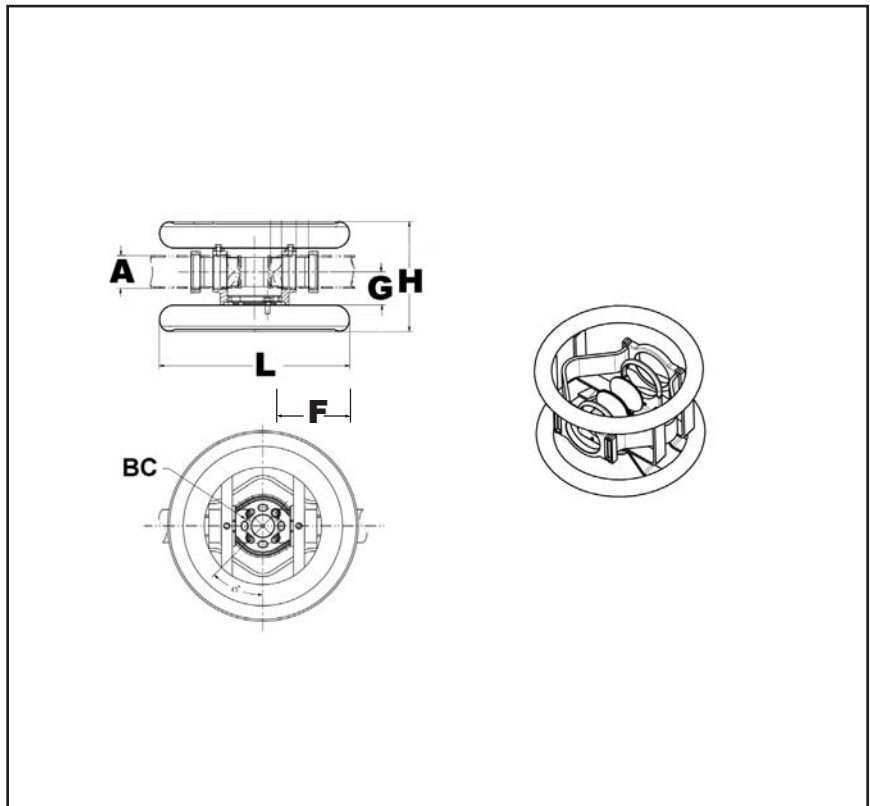
**EHV RATED : SELF-SHIELDING
UP TO 550kV**

Material: Cast 356 Aluminum Alloy
Hardware: Aluminum Alloy
Corona Rings: Aluminum Alloy
Straps: Laminated Aluminum Strap



Installation Data	
Bus Temp F°	3 Total Movement Z
-20	0.50
-10	0.64
0	0.77
10	0.91
20	1.04
30	1.18
40	1.32
50	1.45
60	1.59
70	1.73
80	1.86
90	2.00
100	2.14
110	2.27
120	2.41
130	2.54
140	2.68
150	2.82
160	2.95
170	3.09
180	3.23
190	3.36
200	3.50

NOMINAL
POSITION



Catalog Number		"A" Dia. Alum. Tube	F	H	W	Total ① Movement
Sch. 40	Sch. 80					
SWXP20A20A	SWXP90A90A	3" (3.50 Dia.) [89]	5.25 [133]	22.00 [559]	17.05 [433]	3.00 [76]
SWXP22A22A	SWXP92A92A	4" (4.50 Dia.) [114]	6.38 [162]	22.00 [559]	18.89 [480]	4.00 [102]
SWXP24A24A	SWXP94A94A	5" (5.50 Dia.) [141]	7.88 [200]	26.00 [660]	19.25 [489]	4.00 [102]
SWXP86A86A	SWXP96A96A	6" (6.50 Dia.) [168]	8.88 [226]	26.00 [660]	20.31 [516]	4.00 [102]

NOTES:

- 1. Maximum movement per end equals one-half of total movement specified in table. Table is based on 90 ft. bus run (total) or 45 ft. per end.
- 2. Dimensions in brackets [] are in millimeters.
- 3. Conductors smaller than 3 inch not recommended for 550 kV.

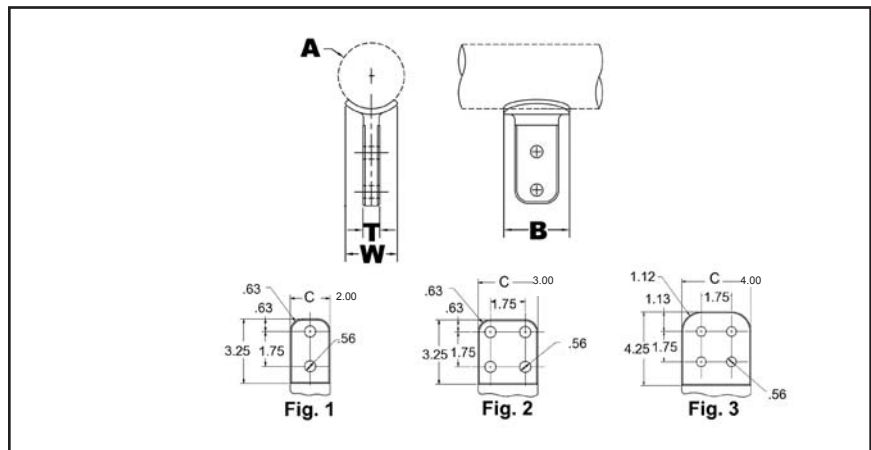
WELDED T-CONNECTOR

SWAB-A-N

Weld type
Application: Bus to Pad

EHV RATED : UP TO 550 kV
when used with
Shielding Caps

Material: Cast 356 Aluminum Alloy



M-18

Catalog Number	Complete Range Aluminum Tube	Fig. #	Dimensions - Inches					
			B	T	W	Aluminum IPS Pipe		
						Nominal	A	Y
SWAB19A2N	1" to 2-1/2"	1	3.00 [76]	0.38 [10]	1.32 [34]	1"	1.32 [34]	4.45 [113]
						1-1/4"	1.66 [42]	4.67 [119]
						1-1/2"	1.90 [48]	4.80 [122]
SWAB19A-34N	1" to 2-1/2"	2	4.00 [102]	0.50 [13]	1.32 [34]	2"	2.38 [60]	5.08 [129]
						2-1/2"	2.88 [73]	5.32 [135]
SWAB22A2N	2-1/2" to 4"	1	3.00 [76]	0.75 [19]	2.40 [61]	2-1/2"	2.88 [73]	5.25 [133]
						3"	3.50 [89]	5.62 [143]
SWAB22A-34N	2-1/2" to 4"	2	4.00 [102]	0.75 [19]	2.40 [61]	3-1/2"	4.00 [102]	5.92 [150]
SWAB22A-44N		3	4.50 [114]	0.75 [19]	2.40 [61]	4"	4.50 [114]	6.21 [158]
SWAB86A2N	3" to 6"	1	3.00 [76]	1.00 [25]	2.62 [67]	3"	3.50 [89]	5.58 [142]
						3-1/2"	4.00 [102]	6.08 [154]
						4"	4.50 [114]	6.36 [162]
						4-1/2"	5.00 [127]	6.36 [162]
SWAB86A34N	3" to 6"	2	4.00 [102]	1.00 [25]	2.62 [67]	5"	5.56 [141]	6.67 [169]
SWAB86A-44N		3	4.50 [114]	1.00 [25]	2.62 [67]	6"	6.62 [168]	7.24 [184]

NOTES:

1. Dimensions in brackets [] are in millimeters.
2. Conductor smaller than 3 inch bus size not recommended for 550 kV.

3. DOES NOT INCLUDE SHIELDING CAPS. For EHV applications, shielding caps are required. Order separately (Type STS) or ADD SUFFIX "STS" to Catalog Number (example: SWAB22A44NSTS), includes two shielding caps.

4. Pad surface finished on both sides of tongue.
5. For six hole NEMA pad contact factory.

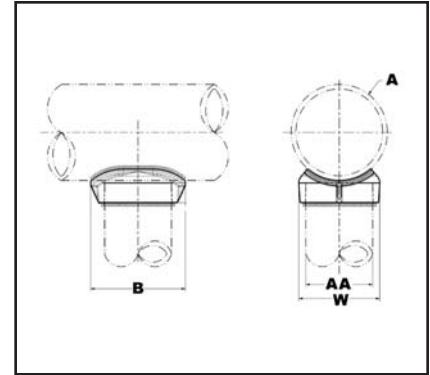
**WELDED
T-CONNECTOR**

SWT-A-A

Weld Type
Application : Bus to Bus
T-Connector.

**EHV RATED : SELF SHIELDING
UP TO 550 kV**

Material: Cast 356 Aluminum Alloy



Catalog Number	Run 'A' Aluminum Tube	Tap 'AA' Aluminum Tube		Run Data		Dimensions Inches	
		Tube	AA	Nom. Tube	A	B	W
SWT17A17A	1-1/2"	1/2"	1.90 [48]	1-1/2"	1.90 [48]	3.19 [81]	2.64 [67]
SWT19A19A	2 1/2"	2-1/2"	2.88 [27]	2-1/2"	2.88 [73]	4.00 [54]	3.78 [96]
SWT21A14A	2" To 3-1/2"	3/4"	1.05 [28]	2"	2.38 [60.4]	2.12 [54]	1.75 [44]
				2-1/2"	2.88 [73]		
				3"	3.50 [89]		
				3-1/2"	4.00 [102]		
SWT21A15A	2" To 3-1/2"	1"	1.32 [34]	2"	2.38 [60.4]	2.38 [60.4]	2.28 [60]
				2-1/2"	2.88 [73]		
				3"	3.50 [89]		
				3-1/2"	4.00 [102]		
SWT21A16A	2" To 3-1/2"	1-1/4"	1.66 [42]	2"	2.38 [60.4]	2.69 [68]	2.36 [60]
				2-1/2"	2.88 [73]		
				3"	3.50 [89]		
				3-1/2"	4.00 [102]		

NOTES:
 1. Dimensions in brackets [] are in millimeters.
 2. Conductor smaller than 3 inch bus size not recommended for 550 kV.

M-19

**WELDED
T-CONNECTOR**
(Continued)

SWT-A-A

Catalog Number	Run 'A' Aluminum Tube	Tap 'AA' Aluminum Tube		Run Data		Dimensions Inches	
		Tube	AA	Nom. Tube	A	B	W
SWT21A17A	2" To 3-1/2"	1-1/2"	1.90 [48]	2"	2.38 [60.4]	3.19 [81]	2.62 [67]
				2-1/2"	2.88 [73]		
				3"	3.50 [89]		
				3-1/2"	4.00 [102]		
SWT21A18A	2" To 3-1/2"	2"	2.38 [60.4]	2"	2.38 [60.4]	4.00 [102]	3.33 [84]
				2-1/2"	2.88 [73]		
				3"	3.50 [90]		
				3-1/2"	4.00 [102]		
SWT21A19A	2" To 3-1/2"	2-1/2"	2.88 [73]	2-1/2"	2.88 [73]	4.00 [102]	3.78 [96]
				3"	3.50 [90]		
				3-1/2"	4.00 [102]		
SWT21A20A	2" To 3-1/2"	3"	3.50 [90]	3"	3.50 [102]	4.56 [116]	4.52 [115]
				3-1/2"	4.00 [102]		
SWT22A18A	4"	2"	2.38 [60.4]	4"	4.50 [114]	4.00 [102]	3.50 [102]
SWT22A19A		2-1/2"	2.88 [73]			4.00 [102]	4.80 [122]
SWT22A20A		3"	3.50 [102]			4.56 [116]	4.50 [114]
SWT22A21A		3-1/2"	4.00 [102]			5.50 [140]	5.00 [127]
SWT22A22A		4"	4.50 [114]			6.00 [152]	5.60 [142]
SWT24A20A	5"	3"	3.50 [48]	5"	5.56 [141]	4.72 [102]	3.50 [102]
SWT24A21A		3-1/2"	4.00 [102]			5.50 [140]	5.00 [127]
SWT24A22A		4"	4.50 [114]			6.00 [152]	5.60 [142]
SWT24A24A		5"	5.56 [141]			7.38 [187]	6.84 [174]
SWT86A20A	6"	3"	3.50 [48]	6"	6.62 [168]	4.56 [116]	5.00 [127]
SWT86A21A		3-1/2"	4.00 [102]			5.50 [140]	5.50 [140]
SWT86A22A		4"	4.50 [114]			6.00 [152]	6.66 [169]
SWT86A24A		5"	5.56 [141]			7.38 [187]	6.84 [174]
SWT86A86A		6"	6.62 [168]			8.00 [203]	8.00 [203]

NOTES:

1. Dimensions in brackets [] are in millimeters.
2. Conductor smaller than 3 inch bus size not recommended for 550 kV.

M-20

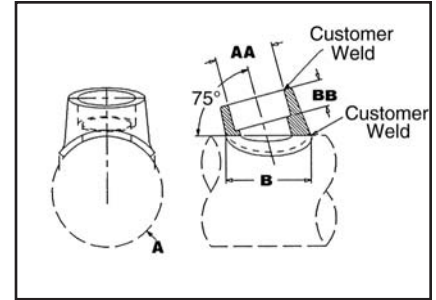
**WELDED
T-CONNECTOR**

SWT-A-A-75

Weld type
Application : Bus "A" Frame
Connector (75°)

**EHV RATED: SELF-SHIELDING
UP TO 550 kV**

Material: Cast 356 Aluminum Alloy



Catalog Number	Aluminum Tube				Dimensions In.	
	Run		Tap			
	Nominal	A	Nominal	AA	B	BB
SWT18A16A75	2"	2.38 [60.4]	1-1/4"	1.66 [42]	2.69 [68]	1.00 [25]
SWT18A17A75	2"	2.38 [60.4]	1-1/2"	1.90 [48]	3.19 [81]	1.00 [25]
SWT19A16A75	2-1/2"	2.88 [73]	1-1/4"	1.66 [42]	2.69 [68]	1.00 [25]
SWT19A17A75	2-1/2"	2.88 [73]	1-1/2"	1.90 [48]	3.19 [81]	1.00 [25]
SWT19A18A75	2-1/2"	2.88 [73]	2"	2.38 [60]	4.00 [102]	1.00 [25]
SWT20A17A75	3"	3.50 [89]	1-1/2"	1.90 [48]	3.19 [81]	1.00 [25]
SWT20A18A75	3"	3.50 [89]	2"	2.38 [60]	4.00 [102]	1.00 [25]
SWT20A19A75	3"	3.50 [89]	1-1/2"	2.88 [73]	4.00 [102]	1.38 [35]
SWT21A16A75	3-1/2"	4.00 [102]	1-1/4"	1.66 [42]	2.69 [68]	1.00 [25]
SWT21A17A75	3-1/2"	4.00 [102]	1-1/2"	1.90 [48]	3.19 [81]	1.00 [25]
SWT21A18A75	3-1/2"	4.00 [102]	2"	2.38 [42]	4.00 [68]	1.00 [25]
SWT21A19A75	3-1/2"	4.00 [102]	1-1/2"	2.88 [73]	4.00 [68]	1.38 [35]
SWT22A18A75	4"	4.50 [114]	2"	2.38 [60]	4.18 [105]	1.00 [25]
SWT22A19A75	4"	4.50 [114]	1-1/2"	2.88 [73]	4.00 [102]	1.38 [35]
SWT22A20A75	4"	4.50 [114]	3"	3.50 [89]	4.56 [116]	1.38 [35]
SWT24A18A75	5"	5.56 [141]	2"	2.38 [60]	4.00 [102]	1.00 [25]
SWT24A19A75	5"	5.56 [141]	1-1/2"	2.88 [73]	4.00 [102]	1.38 [35]
SWT24A20A75	5"	5.56 [141]	3"	3.50 [89]	4.56 [116]	1.38 [35]
SWT86A20A75	6"	6.62 [168]	3"	3.50 [89]	4.56 [116]	1.38 [35]
SWT86A21A75	6"	6.62 [168]	3-1/2"	4.00 [102]	5.50 [140]	1.38 [35]
SWT86A22A75	6"	6.62 [168]	4"	4.50 [114]	6.00 [152]	1.38 [35]

NOTES:
1. Dimensions in brackets [] are in millimeters.
2. Conductor smaller than 3 inch bus size not recommended for 550 kV.

M-21

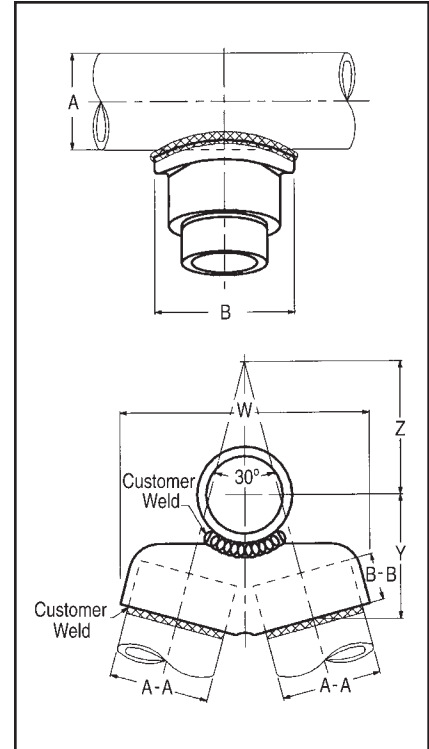
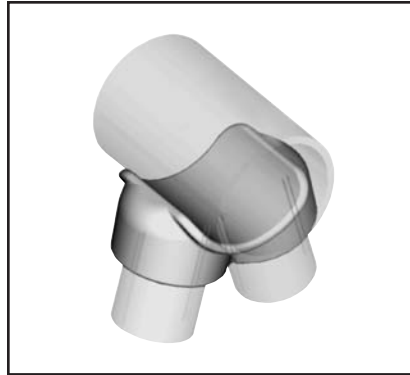
**WELDED
V-CONNECTOR**

SWAT-A-A-30

Weld type
Application: Bus "A" Frame
Connector (30°)

**EHV RATED: SELF-SHIELDING UP
TO 550 kV**

Material: Cast 356 Aluminum Alloy



Catalog Number	Aluminum I.P.S.		B	B-B	W	Y	Z
	Run "A"	Tap "A-A"					
SWAT18A16A-30	2" (2.375 Dia.)	1-1/4" (1.660 Dia.)	3.25 [83]	1.00 [25]	4.81 [122]	3.19 [81]	1.79 [45]
SWAT18A17A-30		1-1/2" (1.900 Dia.)	3.50 [89]	1.00 [25]	5.25 [133]	3.00 [76]	2.34 [59]
SWAT18A18A-30		2" (2.375 Dia.)	4.00 [102]	1.00 [25]	6.38 [160]	3.12 [71]	3.46 [88]
SWAT19A16A-30	2-1/2" (2.875 Dia.)	1-1/4" (2.375 Dia.)	3.25 [83]	1.00 [25]	4.82 [122]	3.31 [84]	1.74 [44]
SWAT19A17A-30		1-1/2" (1.900 Dia.)	3.50 [89]	1.00 [25]	5.25 [132]	3.28 [83]	2.00 [51]
SWAT19A18A-30		2" (2.375 Dia.)	4.00 [102]	1.00 [25]	6.19 [157]	3.19 [81]	3.04 [77]
SWAT20A17A-30	3" (3.500 Dia.)	1-1/2" (1.900 Dia.)	3.50 [89]	1.00 [25]	5.12 [130]	3.44 [87]	1.87 [47]
SWAT20A18A-30		2" (2.375 Dia.)	4.00 [102]	1.00 [25]	6.25 [159]	3.50 [89]	2.71 [69]
SWAT20A19A-30		2-1/2" (2.875 Dia.)	4.38 [111]	1.38 [35]	7.19 [183]	3.88 [99]	3.41 [87]
SWAT21A16A-30	3-1/2" (4.000 Dia.)	1-1/4" (2.375 Dia.)	3.25 [83]	1.00 [25]	5.06 [129]	3.34 [85]	2.07 [53]
SWAT21A17A-30		1-1/2" (1.900 Dia.)	3.50 [89]	1.00 [25]	5.25 [132]	3.44 [87]	1.97 [50]
SWAT21A18A-30		2" (2.375 Dia.)	4.00 [102]	1.00 [25]	6.31 [160]	3.16 [80]	2.68 [68]
SWAT21A19A-30		2-1/2" (2.0875 Dia.)	4.38 [111]	1.38 [35]	7.38 [187]	4.00 [102]	3.09 [78]
SWAT21A20A-30		3" (3.500 Dia.)	5.00 [127]	1.38 [35]	8.38 [213]	4.12 [105]	4.21 [107]
SWAT22A18A-30	4" (4.500 Dia.)	2" (2.375 Dia.)	4.00 [102]	1.00 [25]	6.50 [165]	3.81 [97]	2.82 [72]
SWAT22A19A-30		2-1/2" (2.875 Dia.)	4.38 [111]	1.38 [35]	7.41 [188]	4.09 [104]	3.13 [80]
SWAT22A20A-30		3" (3.500 Dia.)	5.12 [130]	1.38 [38]	8.62 [219]	4.28 [109]	4.05 [103]
SWAT24A18A-30	5" (5.563 Dia.)	2" (2.375 Dia.)	4.00 [102]	1.00 [25]	6.50 [165]	3.81 [97]	3.06 [78]
SWAT24A19A-30		2-1/2" (2.875 Dia.)	4.38 [111]	1.38 [35]	7.38 [187]	4.47 [114]	2.87 [73]
SWAT24A20A-30		3" (3.500 Dia.)	2.12 [130]	1.38 [35]	8.62 [219]	4.62 [117]	3.76 [96]
SWAT86A20A-30	6" (6.625 Dia.)	3" (3.500 Dia.)	5.12 [130]	1.38 [35]	8.69 [221]	4.81 [122]	3.57 [91]
SWAT86A21A-30		3-1/2" (4.000 Dia.)	5.88 [149]	1.38 [35]	9.69 [246]	5.19 [132]	4.11 [104]
SWAT86A22A-30		4" (4.500 Dia.)	6.25 [159]	1.38 [35]	10.62 [270]	5.00 [127]	5.15 [131]

M-22

NOTES:

1. Dimensions in brackets [] are in millimeters
2. Conductor smaller than 3 inch bus size not recommended for 550 kV.

**WELDED RIGID BUS
SUPPORT**

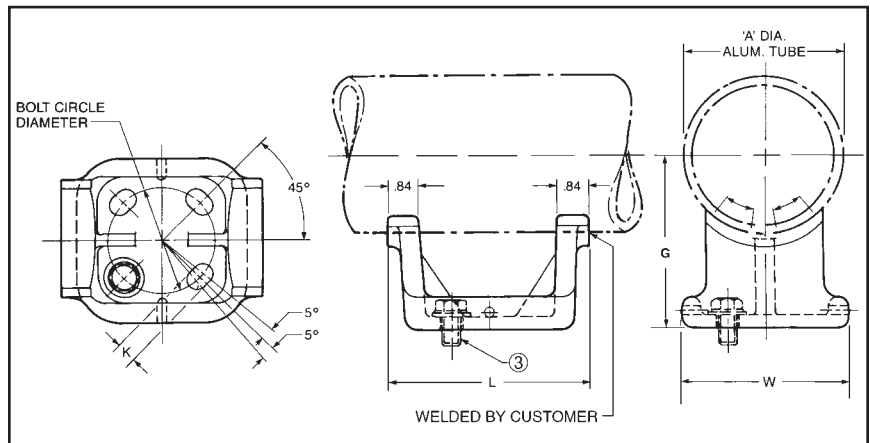
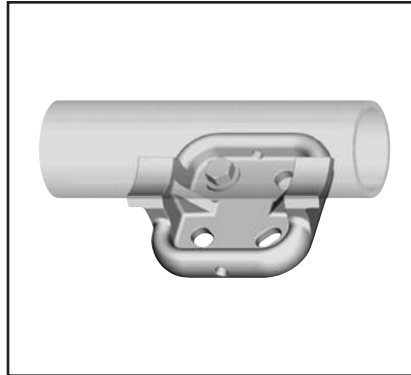
SWOH-A

Weld type

Application : Fixed Bus Support to
Insulator.

**EHV RATED : SELF-SHIELDING
UP TO 550kV—
when used on
Corona free Post
Insulators**

Material: Cast 356 Aluminum Alloy



Catalog Number	"A" Dia. Alum. Tube	Bolt Circle Dia.	G	K	L	W
SWOH18A-3	2.37" (2.375 Dia.) [60]	3.00 [76]	2.75 [70]	0.56 [14]	5.60 [142]	4.96 [126]
SWOH18A-5		5.00 [127]		0.69 [18]	7.48 [190]	6.76 [172]
SWOH19A-3	2-1/2" (2.875 Dia.) [73]	3.00 [76]	3.12 [79]	0.56 [14]	6.06 [154]	5.19 [132]
SWOH19A-5		5.00 [127]		0.69 [18]	7.62 [194]	6.80 [173]
SWOH20A-3	3" (3.500 Dia.) [89]	3.00 [76]	3.00 [76]	0.56 [14]	5.78 [147]	4.96 [126]
SWOH20A-5		5.00 [127]		0.69 [18]	7.20 [183]	6.29 [160]
SWOH21A-5	3-1/2" (4.000 Dia.) [102]	5.00 [127]	4.00 [102]	0.69 [18]	7.58 [193]	6.76 [172]
SWOH22A-3	4" [114]	3.00 [76]	4.50 [114]	0.56 [14]	5.82 [148]	4.96 [126]
SWOH22A-5		5.00 [127]		0.69 [18]	7.68 [195]	6.57 [167]
SWOH24A-5	5" [141]	5.00 [127]	5.00 [127]	0.69 [18]	7.68 [195]	6.57 [167]
SWOH86A-5	6" [168]	5.00 [127]	5.50 [140]	0.69 [18]	7.68 [195]	6.57 [167]

NOTES:

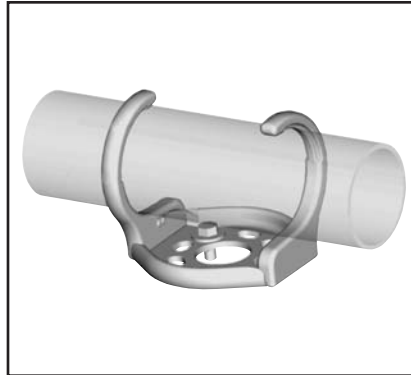
1. Dimensions in brackets [] are in millimeters.
2. "G" dimension conforms to NEMA standards.
3. Cap mounting (galvanized steel) hardware supplied as standard. For Base Mounting hardware add SUFFIX "B" to catalog number (example: SWOH22A-5B).
4. Conductors smaller than 3 inch bus size not recommended for 550 KV.

M-23

**WELDED RIGID OR
SLIP FIT BUS
SUPPORT**

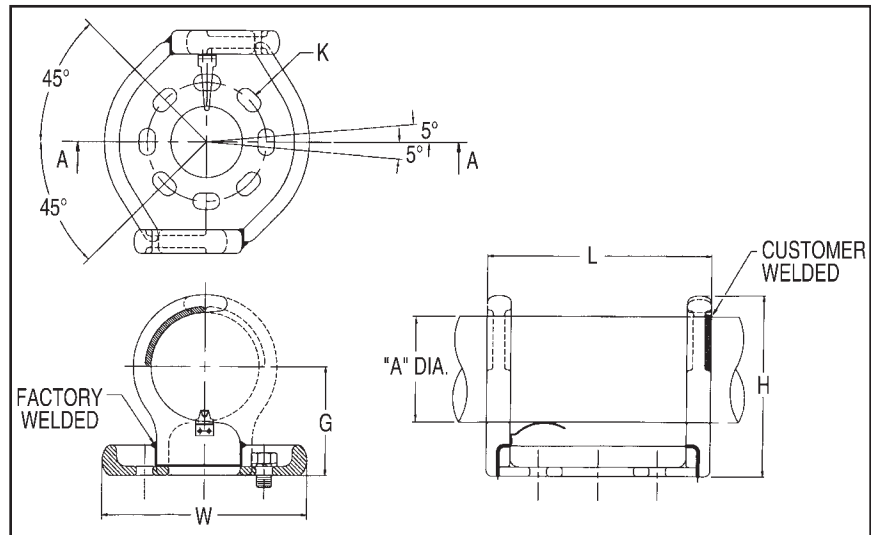
SWHRH-A

Welded type
Application: Fixed or Slip Fit Bus
Support to Insulator.



**EHV RATED: SELF-SHIELDING
UP TO 550 kV—
When used on
corona free Post
Insulators.**

Material: Cast 356 Aluminum Alloy



M-24

Catalog Number		Aluminum Conductor		G	H	3" Bolt Circle			5" Bolt Circle		
3" Bolt Circle	5" Bolt Circle	IPS/EHPS	"A" Dia.			K	L	W	K	L	W
SWHRH18A-3CH	SWHRH18A-5CH	2"	2.38 [60]	2.75 [70]	4.58 [116]	0.56 X 0.75 [14 X 19]	7.76 [197]	6.62 [159]	0.69 X 0.88 [18 X 22]	9.37 [238]	8.61 [219]
SWHRH19A-3CH	SWHRH19A-5CH	2-1/2"	2.88 [73]	3.12 [79]	5.21 [132]						
SWHRH20A-3CH	SWHRH20A-5CH	3"	3.50 [89]	3.62 [92]	6.15 [156]						
SWHRH21A-3CH	SWHRH21A-5CH	3-1/2"	4.00 [102]	4.00 [102]	6.77 [172]						
SWHRH22A-3CH	SWHRH22A-5CH	4"	4.50 [114]	4.50 [114]	7.52 [191]						
SWHRH24A-3CH	SWHRH24A-5CH	5"	5.56 [141]	5.00 [127]	8.68 [220]						
SWHRH86A-3CH	SWHRH86A-5CH	6"	6.63 [168]	5.50 [140]	9.71 [247]			8.61 [219]			

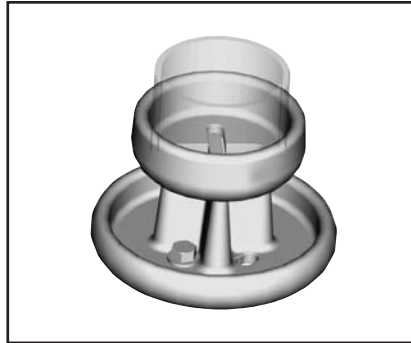
NOTES:

- Dimensions in brackets [] are in millimeters.
- G dimension conforms to NEMA standards.
- Cap mounting (galvanized steel) hardware supplied as standard. For Base mounting hardware add SUFFIX "B" to catalog number (example: SWHRH22A-5B).
- Conductors smaller than 3 inch bus size not recommended for 550 kV.

**WELDED VERTICAL
BUS SUPPORT**

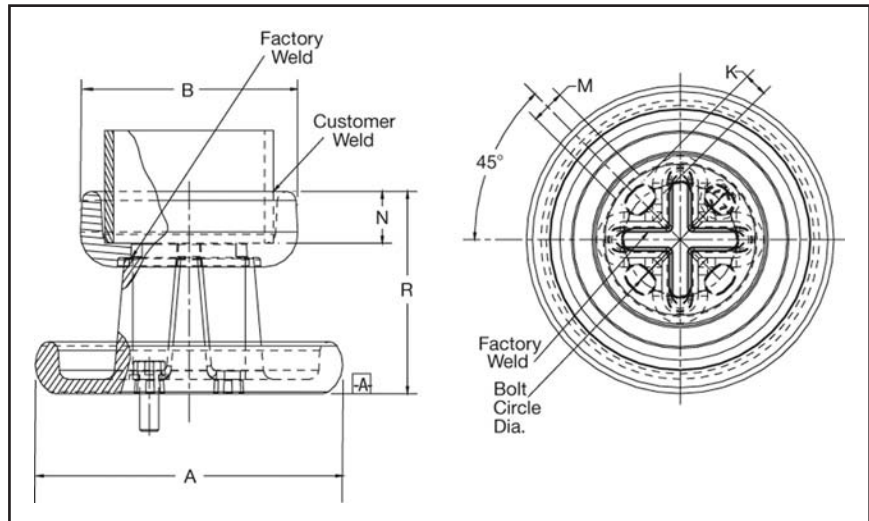
SWVH-A

Weld type
Application: Bus to insulator
(Vertical Position)



**EHV RATED: SELF-SHIELDING
UP TO 550 kV**

Material: Cast 356 Aluminum Alloy
Hardware: Galvanized Steel



Catalog Number	Accommodates	Bolt Circle Dia.	"A" Dia.	"B" Dia.	"K" & "M" Slot	N	R
SWVH19A-5	2-1/2" IPS (2.88 Dia.) (73) Alum. Tube	5"	8.19 [208]	4.16 [106]	0.69 x 1.12 [18] [28]	1.38 [35]	5.38 [137]
SWVH19A-7		7"	10.25 [260]				
SWVH20A-5	3" IPS (3.50 Dia.) (89) Alum. Tube	5"	8.19 [208]	4.79 [122]	0.69 x 1.12 [18] [28]		
SWVH20A-7		7"	10.25 [260]				
SWVH22A-5	4" IPS (4.50 Dia.) (114) Alum. Tube	5"	8.19 [208]	5.79 [147]	0.69 x 1.12 [18] [28]		
SWVH22A-7		7"	10.25 [260]				
SWVH24A-5	5" IPS (5.56 Dia.) (141) Alum. Tube	5"	8.19 [208]	6.87 [175]	0.69 x 1.12 [18] [28]		
SWVH86A-5	6" IPS (6.63 Dia.) (168) Alum. Tube	5"	8.19 [208]	7.93 [201]	0.69 x 1.12 [18] [28]		
SWVH86A-7		7"	10.25 [260]			0.81 x 1.44 [21] [37]	

NOTES:

1. Dimensions in brackets [] are in millimeters.
2. Cap mounting hardware supplied. For base mounted hardware add SUFFIX "B" to catalog number (example: SWVH22A5B).
3. Conductors smaller than 3 inch not recommended for 550 kV.

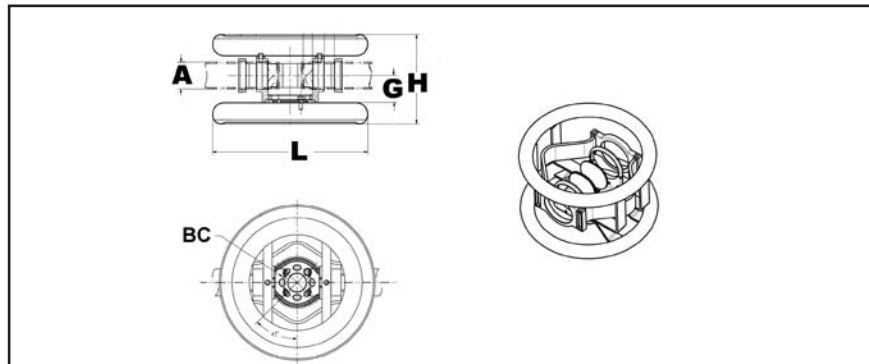
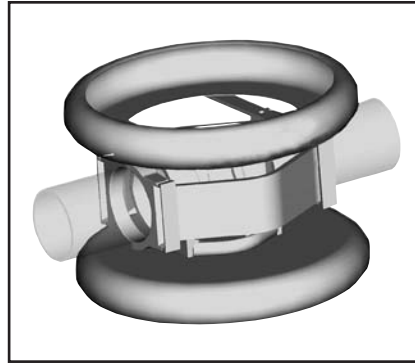
**WELDED EXPANSION
BUS SUPPORT
COUPLER**

SWXHP-A

Weld type
Application: Bus to Bus Expansion
Coupler to Insulator

**EHV RATED: SELF-SHIELDING
up to 550 kV**

Material: Cast 356 Aluminum Alloy
Corona Rings: Aluminum Alloy
Straps: Laminated Aluminum Strap



Catalog Number		"A" Dia. Alum. Tube	Bolt Circle Dia.	G*	H	L	Total ① Movement
Sch 40	Sch 80						
SWXHP19A-5	SWXHP59A-5	2-1/2" (2.88 Dia.) [73]	5.00 [127]	3.12 [79]	12.77 [18]	26.00 [660]	3.00 [76]
SWXHP20A-5	SWXHP90A-5	3" (3.50 Dia.) [89]	5.00 [127]	3.62 [92]	13.62 [18]		3.00 [76]
SWXHP21A-5	SWXHP91A-5	3-1/2" (4.00 Dia.) [102]	5.00 [127]	4.00 [102]	14.25 [18]		3.00 [76]
SWXHP22A-5	SWXHP92A-5	4" (4.50 Dia.) [114]	5.00 [127]	4.50 [114]	14.90 [18]		4.00 [102]
SWXHP24A-5	SWXHP94A-5	5" (5.56 Dia.) [141]	5.00 [127]	5.25 [133]	16.31 [18]		4.00 [102]
SWXHP86A-5	SWXHP96A-5	6" (6.63 Dia.) [168]	5.00 [127]	5.50 [140]	17.34 [18]		4.00 [102]

Installation Data		
Bus Temp F°	3" Total Movement	4" Total Movement
	Z ⑥	Z ⑦
-20	0.75	0.75
-10	0.82	0.84
0	0.89	0.83
10	0.95	1.02
20	1.02	1.11
30	1.09	1.20
40	1.16	1.29
50	1.23	1.39
60	1.30	1.48
70	1.36	1.57
80	1.43	1.66
90	1.50	1.75
100	1.57	1.84
110	1.64	1.93
120	1.70	2.02
130	1.77	2.11
140	1.84	2.20
150	1.91	2.29
160	1.98	2.39
170	2.05	2.48
180	2.11	2.57
190	2.18	2.66
200	2.25	2.75

NOMINAL POSITION

NOTES:

- *Conforms to NEMA standards.
- ① Maximum movement per end equals one-half of total movement specified in table.
- 2. Dimensions in brackets [] are in millimeters.
- 3. Cap mounting hardware supplied (Galvanized Steel).
For base mounted hardware add SUFFIX "B" to catalog number (example: SWXHP20A5B).
- 4. Conductors smaller than 3 inch not recommended for 550 kV.
- 5. Bus support couplers are supplied without bus end plugs. If end plugs are required, add SUFFIX "EP" to catalog number (example: SWXHP20A5EP).
- ⑥ Table is based on 80 ft. max. bus run (total) or 40 ft. per end.
- ⑦ Table is based on 110 ft. max. bus run (total) or 55 ft. per end.

M-26

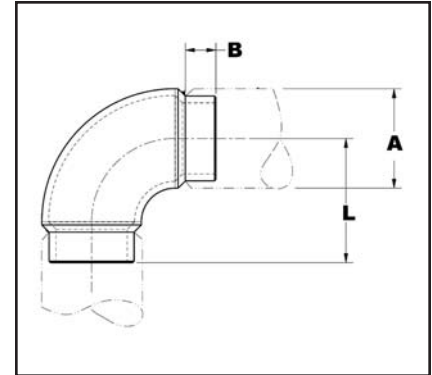
WELDED 90° ELBOW

SWL-A

Application: Bus to Bus Elbow, 90°

**EHV RATED: SELF-SHIELDING
UP TO 550 kV**

Material: Cast 356 Aluminum Alloy



Catalog Number		Conductor Aluminum Tubing Size	Dimensions In./[mm]		
Sch. 40	Sch. 80		A Dia.	B	L
SWL18A	SWL58A	2"	2.38 [60.4]	1.00 [25]	3.50 [89]
SWL19A	SWL59A	2-1/2"	2.88 [73]	1.38 [35]	3.88 [99]
SWL20A	SWL90A	3"	3.50 [89]		4.68 [119]
SWL21A	SWL91A	3-1/2"	4.00 [102]		5.12 [130]
SWL22A	SWL92A	4"	4.50 [114]		5.63 [143]
SWL24A	SWL93A	5"	5.56 [141]	1.62 [41]	6.16 [156]
SWL86A	SWL96A	6"	6.63 [168]		6.16 [156]

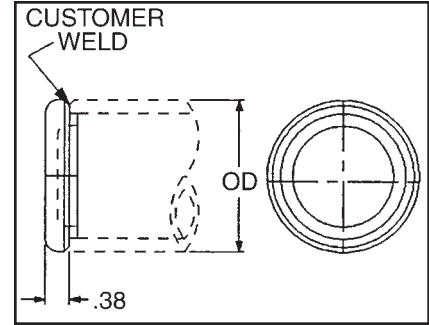
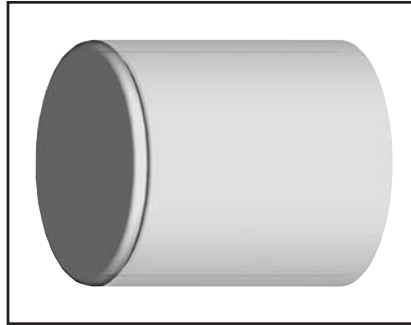
NOTES:

1. Dimensions in brackets [] are in millimeters.
2. Conductor smaller than 3 inch bus size not recommended for 550 kV.
3. For 45° angle ADD SUFFIX "45" to catalog number (example: SWL22A-45).

WELDED END PLUG

WLB-A

Weld type
Application : Bus to End Cap, used with shielded bus support/expansion couplers



**EHV RATED : UP TO 550 kV
when used with
shielded bus and
expansion
connectors**

Material: Cast 356 Aluminum Alloy

Catalog Number		O.D.	Conductor Aluminum Tubing Size
Sch. 40	Sch. 80		
WLB15A	WLB55A	1.32 [34]	1"
WLB16A	WLB56A	1.66 [42]	1-1/4"
WLB17A	WLB57A	1.90 [48]	1-1/2"
WLB18A	WLB58A	2.38 [60]	2"
WLB19A	WLB59A	2.88 [73]	2-1/2"
WLB20A	WLB90A	3.50 [89]	3"
WLB21A	WLB91A	4.00 [102]	3-1/2"
WLB22A	WLB92A	4.50 [114]	4"
WLB24A	WLB94A	5.56 [141]	5"
WLB86A	WLB96A	6.62 [168]	6"

- NOTES:**
1. Dimensions in brackets [] are in millimeters.
2. Conductor smaller than 3 inch bus size not recommended for 550 kV.

M-28

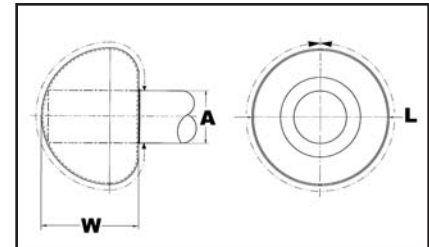
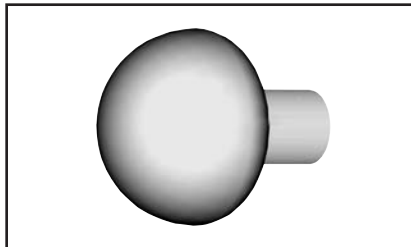
**WELDED CORONA
BELL**

SCB-A

Weld type
Application: Bus to Corona Bell

**EHV RATED: SELF-SHIELDING
UP TO 550 kV**

Material: Aluminum Alloy



Catalog Number	Accommodates 'A' Dia. Aluminum Tube
SCB19A	2-1/2" (2.875 Dia.)
SCB20A	3" (3.500 Dia.)
SCB21A	3-1/2" (4.000 Dia.)
SCB22A	4" (4.500 Dia.)
SCB24A	5" (5.563 Dia.)
SCB86A	6" (6.625 Dia.)

- NOTES:**
1. For bolted design contact factory.
2. Dimensions in brackets [] are in millimeters.
3. Conductor smaller than 3 inch bus size not recommended for 550 kV.

**WELDED GROUND
STUD**

SWCB-A

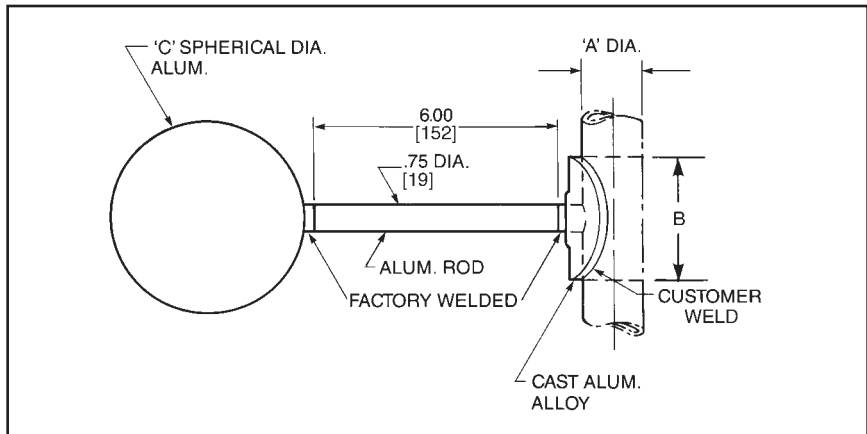
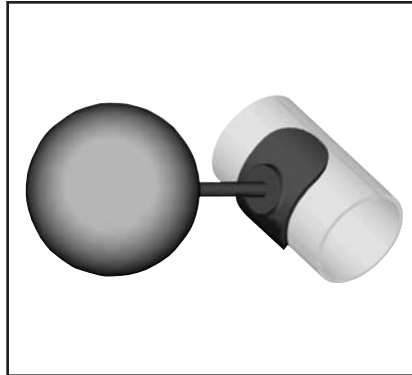
Weld type

Application : Bus to corona sphere

**EHV RATED : SELF-SHIELDING
UP TO 550 kV**

Material: Cast 356 Aluminum Alloy

Corona Sphere: Aluminum Alloy



Catalog Number	'A' Dia. Aluminum Tube	'C' Dia.	B
SWCB19A	2-1/2" I.P.S. (2.875 Dia.) [73]	9.00 [229]	1.50 [38]
SWCB20A	3" I.P.S. (3.500 Dia.) [89]		3.00 [76]
SWCB22A	4" I.P.S. (4.500 Dia.) [114]		4.00 [102]
SWCB24A	5" I.P.S. (5.563 Dia.) [141]		
SWCB86A	6" I.P.S. (6.625 Dia.) [168]		

NOTES:

- Dimensions in brackets [] are in millimeters.
- Conductor smaller than 3 inch bus size not recommended for 550 kV.

M-29

**WELDED SPHERICAL
COUPLER**

WSBC-A

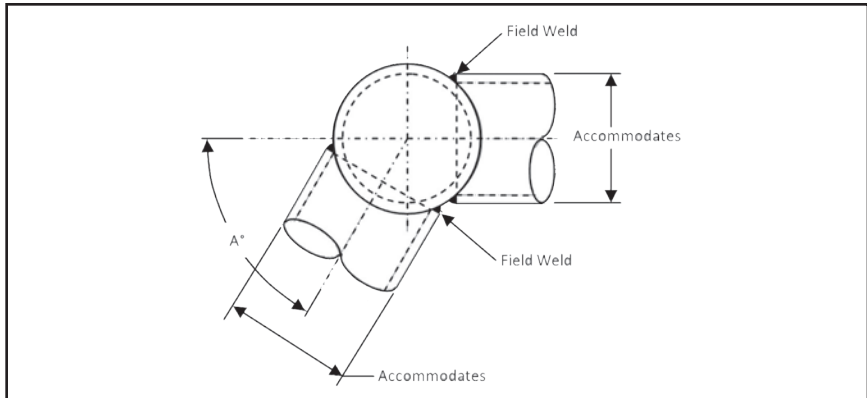
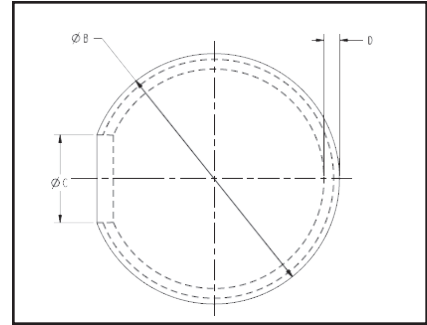
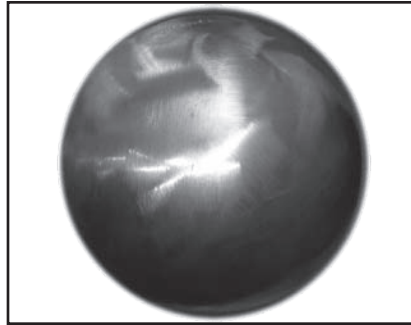
Weld type
Application : For Use on Aluminium
Pipe-to-Pipe Connections

EHV RATED : UP TO 500 kV

**Aluminum Alloy
streamlined, variable angle
spherical coupler.
Self-shielding at operating
voltages up to 500 kV.**

Material: Aluminum Alloy

Notes:
Welding to be done by customer.

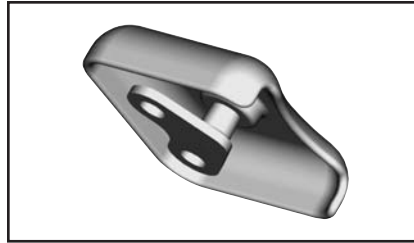


Catalog Number	Conductor Range	Max kV	A° Max	Ø B	Ø C	D
WSBC74A	1-1/2" SPS	230	130°	5.00 [127]	1.75 [44]	.31 [8]
	2" SPS		115°			
	2-1/2" SPS		105°			
	3" SPS		90°			
	3-1/2" SPS		80°			
	4" SPS		50°			
WSBC83A	3" SPS - 5" SPS	345	90°	8.00 [203]	2.75 [70]	.44 [11]
	6" SPS		60°			
	8" OD SPS		40°			
WSBC128A	3" SPS	500	140°	12.00 [305]	2.75 [70]	.38 [10]
	3-1/2" SPS		135°			
	4" SPS		130°			
	5" SPS		120°			
	6" SPS		100°			
	8" OD SPS		90°			

NOTES:
1. Dimensions in brackets [] are in millimeters.

M-30

**TERMINAL PAD CAP
(Two Piece)**



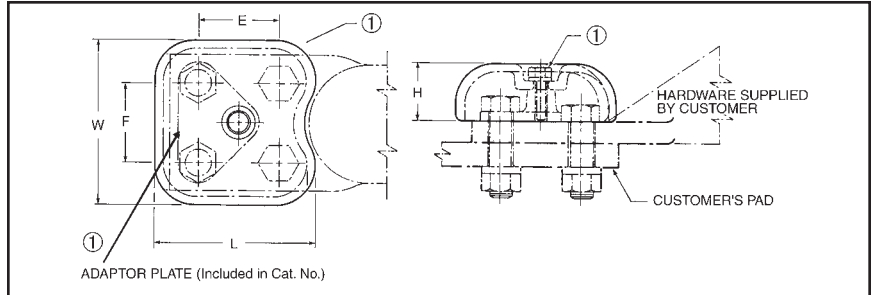
STS-A-N

Bolted type

Application: Pad shielding

**EHV RATED : SELF-SHIELDING
UP TO 550 kV**

Material: Cast 356 Aluminum Alloy
Hardware: 1/4"-20 x 3-3/4" LG
Stainless Steel Hex Hd. Bolt
and Split Lockwasher



① Catalog Number	E	F	H	L	W	Maximum Shielded Area
STS33A-4N	1.75 [44]	1.75 [44]	1.25 [32]	3.48 [88]	3.62 [92]	3 X 3 [76] X [76]
STS43A-4N	1.75 [44]	1.75 [44]	1.31 [33]	3.36 [85]	4.50 [114]	4.00 X 3.12 [102 X 79]
STS44A-4N ②	1.75 [44]	1.75 [44]	1.25 [32]	4.50 [114]	4.62 [117]	4 X 4 [102 X 102]

① Catalog number includes one pad cap, one adapter plate, and stainless steel adaptor hardware.

② Used with YNA451R-T and YNA451R-T15 through YNA594R-T and YNA594R-T15 compression terminals.

**TERMINAL PAD CAP
(One Piece)**



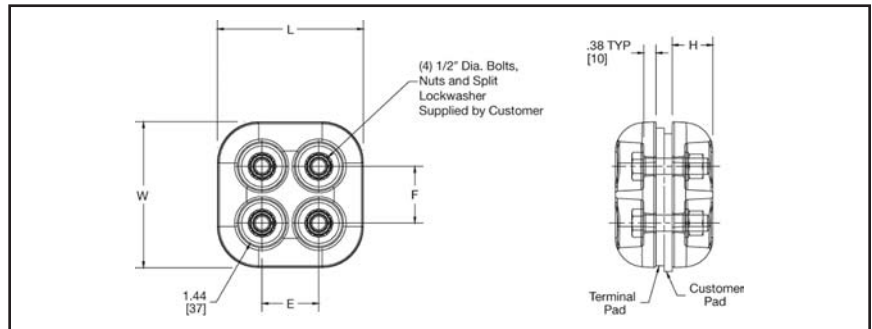
STS-A-NCG

Bolted type

Application: Pad shielding

**EHV RATED : SELF-SHIELDING
UP TO 550 kV**

Material: Cast 356 Aluminum Alloy



Catalog Number	E	F	H	L	W	Maximum Shielded Area
STS44A-4NCG2	1.75 [44]	1.75 [44]	1.25 [32]	4.50 [114]	4.50 [114]	4 x 4
STS46A6NCG1	1.75 [44]	1.75 [44]	1.25 [32]	4.50 [114]	6.50 [165]	6 x 4

NOTES:

1. Dimensions in brackets [] are in millimeters.

2. Catalog number is for one shielding cap only. If more than one is required, specify total quantity.

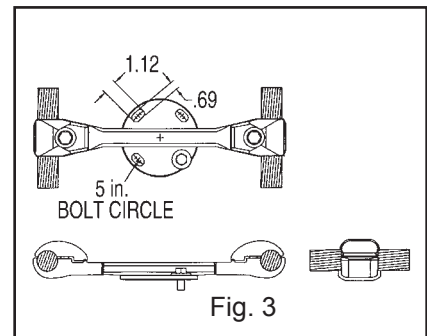
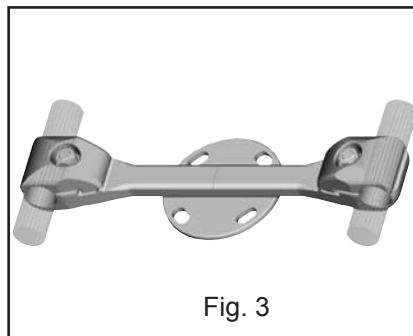
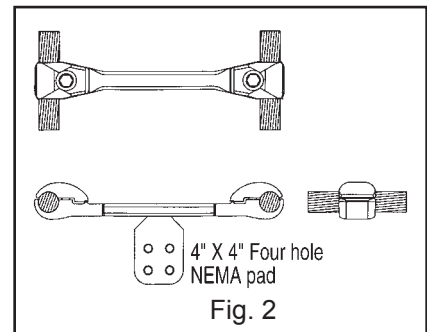
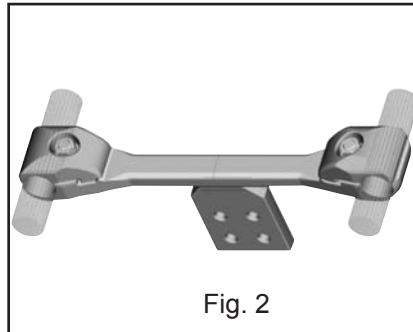
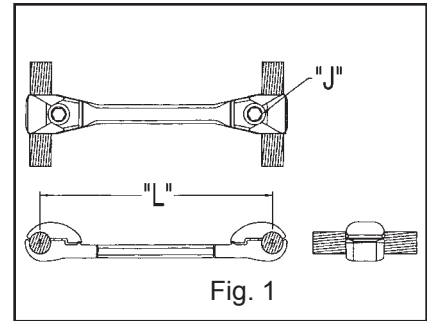
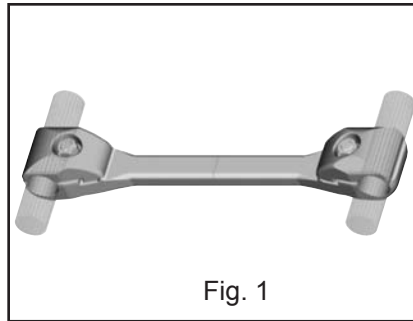
**BOLTED BUNDLED
CABLE SPACER**

- S2GBP-A (Spacer)
- S2GBPA-A (Terminal Tap)
- SH2GBP-A (Bus Support)

Bolted type
Application: Cable to Cable spacer
(Two Cables), Cable spacer with four hole pad, and Cable spacer to insulator.

**EHV RATED: SELF-SHIELDING
UP TO 550 kV**

Material: Cast 356 Aluminum Alloy
Hardware: Aluminum Alloy



M-32

Catalog Number			Cable Range		Cable Dia.		"L"	"J" Dia.
Fig. 1	Fig. 2	Fig. 3	AAC	ACSR	Min.	Max.		
S2GBP41A	S2GBPA41A	SH2GBP41A5	795 kcmil 37 Str. (1.026 Dia.)	715 kcmil 24/7 Str. (1.036 Dia.)	1.026 [26]	1.092 [28]	18.00 [457]	5/8"-11 X 1-3/4" LG. Alum. Alloy
S2GBP41A12	S2GBPA41A12	SH2GBP41A512	874.5 kcmil 61 Str. (1.077 Dia.)	715.5 kcmil 26/7 Str. (1.051 Dia.)			12.00 [305]	
S2GBP44A	S2GBPA44A	SH2GBP44A5	954 kcmil 61 Str. (1.126 Dia.)	795 kcmil 24/7 Str. (1.092 Dia.)	1.092 [28]	1.165 [30]	18.00 [457]	5/8"-11 X 2" LG. Alum. Alloy
S2GBP44A12	S2GBPA44A12	SH2GBP44A512		795 kcmil 54/7 Str. (1.093 Dia.)			12.00 [305]	
S2GBP445A	S2GBPA445A	SH2GBP445A5	1033.5 kcmil 37 Str. (1.170 Dia.)	954 kcmil 45/7 Str. (1.165 Dia.)	1.165 [30]	1.246 [32]	18.00 [457]	
S2GBP445A12	S2GBPA445A12	SH2GBP445A512	1113 kcmil 61 Str. (1.216 Dia.)	1033.5 kcmil 45/7 Str. (1.213 Dia.)			12.00 [305]	
S2GBP45A	S2GBPA45A	SH2GBP45A5	1192 kcmil 61 Str. (1.258 Dia.)	1033.5 kcmil 54/7 Str. (1.246 Dia.)	1.246 [32]	1.382 [35]	18.00 [457]	
S2GBP45A12	S2GBPA45A12	SH2GBP45A512	1272 kcmil 61 Str. (1.300 Dia.)	1192.5 kcmil 54/19 Str. (1.333 Dia.)			12.00 [305]	

NOTES:

1. Dimensions in brackets [] are in millimeters.
2. For stainless steel hardware add SUFFIX "SS" to catalog number (example: S2GBP41ASS).
3. For variations in cable spacing contact factory.
4. For pad rotated 90° on S2GBPA-A add suffix R90 to the catalog number (example: S2GBPA44AR90).
5. For Bolt Circles other than 5 inch on type SH2GBP-A contact factory.
6. S2GBPA-A connectors rated 550 kV when used with type "STS" Shielding Caps. Ordered separately.

**BOLTED BUNDLED
CABLE SPACER**
(Continued)

S2GBP-A (Spacer)
S2GBPA-A (Terminal Tap)
SH2GBP-A (Bus Support)

Catalog Number			Cable Range		Cable Dia.		"L"	"J" Dia.
Fig. 1	Fig. 2	Fig. 3	AAC	ACSR	Min.	Max.		
S2GBP46A	S2GBPA46A	SH2GBP46A5	1590 kcmil 61 Str. (1.453 Dia.)	1272 kcmil 54/19 Str. (1.382 Dia.)	1.382 [35]	1.504 [38]	18.00 [457]	5/8"-11 X 1-3/4" LG. Alum. Alloy
S2GBP46A12	S2GBPA46A12	SH2GBP46A512	1600 kcmil 127 Str. (1.454 Dia.)	1431 kcmil 54/19 Str. (1.465 Dia.)			12.00 [305]	
S2GBP48A	S2GBPA48A	SH2GBP48A5	1750 kcmil 127 Str. (1.526 Dia.)	1590 kcmil 45/7 Str. (1.502 Dia.)	1.504 [38]	1.632 [41]	18.00 [457]	5/8"-11 X 2" LG. Alum. Alloy
S2GBP48A12	S2GBPA48A12	SH2GBP48A512	2000 kcmil 91 Str. (1.630 Dia.)	1750 kcmil 84/19 Str. (1.602 Dia.)			12.00 [305]	
S2GBP483A	S2GBPA483A	SH2GBP483A5	2000 kcmil 91 Str. (1.630 Dia.)	1890 kcmil 84/19 Str. (1.650 Dia.)	1.632 [41]	1.737 [44]	18.00 [457]	
S2GBP483A12	S2GBPA483A12	SH2GBP483A512	2250 kcmil 91 Str. (1.729 Dia.)	2167 kcmil 72/7 Str. (1.737 Dia.)			12.00 [305]	
S2GBP486A	S2GBPA486A	SH2GBP486A5	2300 kcmil 61 Str. (1.750 Dia.)	2167 kcmil 72/7 Str. (1.737 Dia.)	1.737 [44]	1.824 [46]	18.00 [457]	
S2GBP486A12	S2GBPA486A12	SH2GBP486A512	2500 kcmil 127 Str. (1.823 Dia.)	2156 kcmil 84/19 Str. (1.762 Dia.)			12.00 [305]	

NOTES:

- Dimensions in brackets [] are in millimeters.
- For stainless steel hardware add SUFFIX "SS" to catalog number (example: S2GBP41ASS).
- For variations in cable spacing contact factory.
- For pad rotated 90° on S2GBPA-A add suffix R90 to the catalog number (example: S2GBPA44AR90).
- For Bolt Circles other than 5 inch on type SH2GBP-A contact factory.
- S2GBPA-A connectors rated 550 kV when used with type "STS" Shielding Caps. Ordered separately.

**BOLTED BUNDLED
CABLE SPACER
(Two Bolt Clamping)**

**S2GBP-AB2 (Spacer)
S2GBPA-AB2 (Terminal Tap)
SH2GBP-A-B2 (Bus Support)**

Bolted type

Application: Cable to Cable spacer
(Two Cables), Cable
spacer with four hole
pad, and Cable spacer
to insulator.

**EHV RATED: SELF-SHIELDING
UP TO 550 kV**

Material: Cast 356 Aluminum Alloy
Hardware: Aluminum Alloy

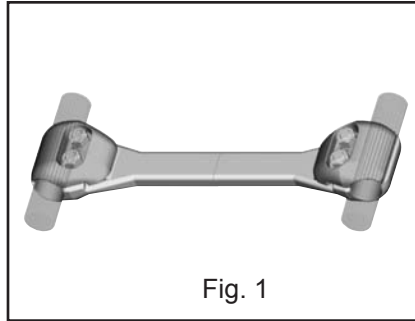


Fig. 1

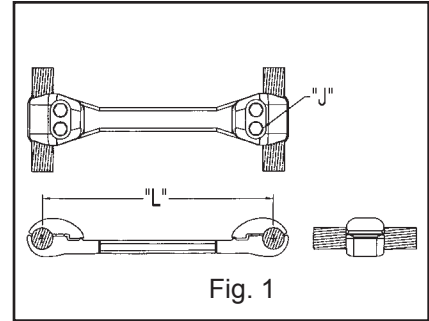


Fig. 1

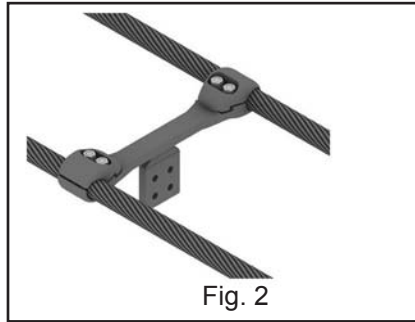


Fig. 2

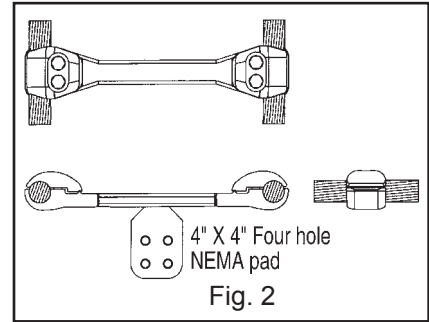


Fig. 2

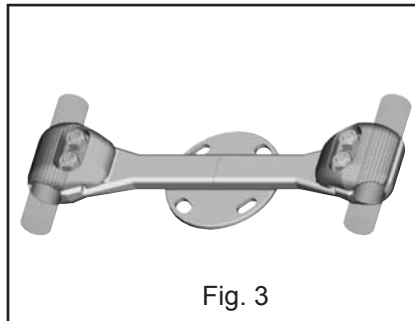


Fig. 3

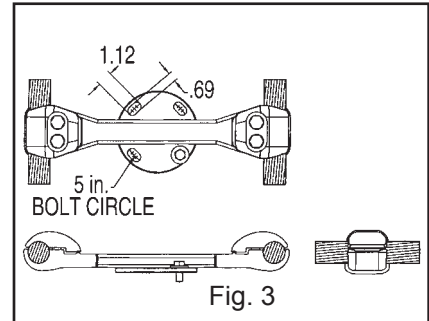


Fig. 3

M-34

Catalog Number			Cable Range		Cable Dia.		"L"	"J" Dia.
Fig. 1	Fig. 2	Fig. 3	AAC	ACSR	Min.	Max.		
S2GBP41AB2	S2GBPA41AB2	SH2GBP41A5B2	795 kcmil 37 Str. (1.026 Dia.)	715 kcmil 24/7 Str. (1.036 Dia.)	1.026 [26]	1.092 [28]	18.00 [457]	5/8"-11 X 1-1/2" LG. Alum. Alloy
S2GBP41A12B2	S2GBPA41A12B2	SH2GBP41A512B2	874.5 kcmil 61 Str. (1.077 Dia.)	715.5 kcmil 26/7 Str. (1.051 Dia.)			12.00 [305]	
S2GBP44AB2	S2GBPA44AB2	SH2GBP44A5B2	954 kcmil 61 Str. (1.126 Dia.)	795 kcmil 24/7 Str. (1.092 Dia.)	1.092 [28]	1.165 [30]	18.00 [457]	5/8"-11 X 1-3/4" LG. Alum. Alloy
S2GBP44A12B2	S2GBPA44A12B2	SH2GBP44A512B2		795 kcmil 54/7 Str. (1.093 Dia.)			12.00 [305]	
S2GBP445AB2	S2GBPA445AB2	SH2GBP445A5B2	1033.5 kcmil 37 Str. (1.170 Dia.)	954 kcmil 45/7 Str. (1.165 Dia.)	1.165 [30]	1.246 [32]	18.00 [457]	
S2GBP445A12B2	S2GBPA445A12B2	SH2GBP445A512B2		1033.5 kcmil 45/7 Str. (1.213 Dia.)			12.00 [305]	
S2GBP45AB2	S2GBPA45AB2	SH2GBP45A5B2	1192 kcmil 61 Str. (1.258 Dia.)	1033.5 kcmil 54/7 Str. (1.246 Dia.)	1.246 [32]	1.382 [35]	18.00 [457]	
S2GBP45A12B2	S2GBPA45A12B2	SH2GBP45A512B2		1192.5 kcmil 54/19 Str. (1.333 Dia.)			12.00 [305]	

NOTES:

1. Dimensions in brackets [] are in millimeters.
2. For stainless steel hardware add SUFFIX "SS" to catalog number (example: S2GBP41AB2SS).

3. For variations in cable spacing contact factory.
4. For pad rotated 90° on S2GBPA-AB2 add suffix R90 to the catalog number (example: S2GBPA44AB2R90).
5. For Bolt Circles other than 5 inch on type SH2GBP-A-B2 contact factory.

6. S2GBPA-B2 connectors rated 550 kV when used with type "STS" Shielding Caps. Ordered separately.

Substation
Welded/EHV

**BOLTED BUNDLED
CABLE SPACER
(Two Bolt Clamping)
(Continued)**

S2GBP-AB2 (Spacer)
S2GBPA-AB2 (Terminal Tap)
SH2GBP-A-B2 (Bus Support)

Catalog Number			Cable Range		Cable Dia.		"L"	"J" Dia.
Fig. 1	Fig. 2	Fig. 3	AAC	ACSR	Min.	Max.		
S2GBP46AB2	S2GBPA46AB2	SH2GBP46A5B2	1590 kcmil 61 Str. (1.453 Dia.)	1272 kcmil 54/19 Str. (1.382 Dia.)	1.382	1.504	18.00 [457]	5/8"-11 X 1-3/4" LG. Alum. Alloy
S2GBP46A12B2	S2GBPA46A12B2	SH2GBP46A512B2	1600 kcmil 127 Str. (1.454 Dia.)	1431 kcmil 54/19 Str. (1.465 Dia.)	[35]	[38]	12.00 [305]	
S2GBP48AB2	S2GBPA48AB2	SH2GBP48A5B2	1750 kcmil 127 Str. (1.526 Dia.)	1590 kcmil 45/7 Str. (1.502 Dia.)	1.504	1.632	18.00 [457]	5/8"-11 X 2" LG. Alum. Alloy
S2GBP48A12B2	S2GBPA48A12B2	SH2GBP48A512B2	2000 kcmil 91 Str. (1.630 Dia.)	1750 kcmil 84/19 Str. (1.602 Dia.)	[38]	[41]	12.00 [305]	
S2GBP483AB2	S2GBPA483AB2	SH2GBP483A5B2	2000 kcmil 91 Str. (1.630 Dia.)	1890 kcmil 84/19 Str. (1.650 Dia.)	1.632	1.737	18.00 [457]	
S2GBP483A12B2	S2GBPA483A12B2	SH2GBP483A512B2	2250 kcmil 91 Str. (1.729 Dia.)	2167 kcmil 72/7 Str. (1.737 Dia.)	[41]	[44]	12.00 [305]	
S2GBP486AB2	S2GBPA486AB2	SH2GBP486A5B2	2300 kcmil 61 Str. (1.750 Dia.)	2167 kcmil 72/7 Str. (1.737 Dia.)	1.737	1.824	18.00 [457]	
S2GBP486A12B2	S2GBPA486A12B2	SH2GBP486A512B2	2500 kcmil 127 Str. (1.823 Dia.)	2156 kcmil 84/19 Str. (1.762 Dia.)	[44]	[46]	12.00 [305]	

NOTES:

1. Dimensions in brackets [] are in millimeters.
2. For stainless steel hardware add SUFFIX "SS" to catalog number (example: S2GBP41AB2SS).

3. For variations in cable spacing contact factory.
4. For pad rotated 90° on S2GBPA-AB2 add suffix R90 to the catalog number (example: S2GBPA44AB2R90).
5. For Bolt Circles other than 5 inch on type SH2GBP-A-B2 contact factory.

6. S2GBPA-B2 connectors rated 550 kV when used with type "STS" Shielding Caps. Ordered separately.

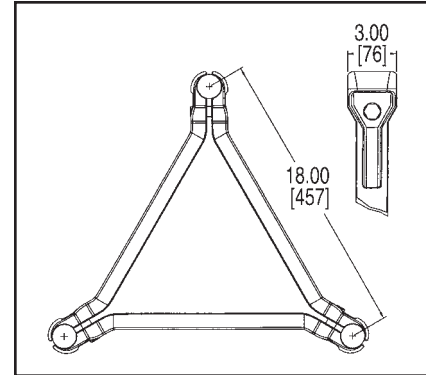
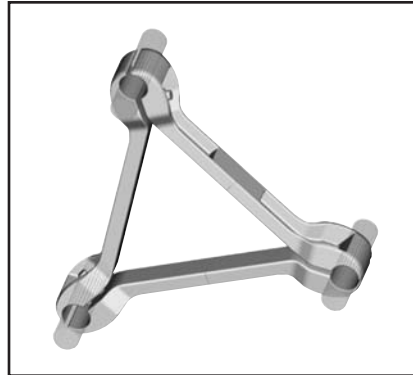
**BOLTED BUNDLED
CABLE SPACER
(Three Conductor)**

S3GBP-A

Bolted type
Application: Cable to Cable Spacer
(three cables)

**EHV RATED: SELF-SHIELDING
UP TO 550 kV**

Material: Cast 356 Aluminum Alloy
Hardware: Aluminum Alloy



Catalog Number	Cable Range		Cable Dia.		"J" Dia.
	AAC	ACSR	Min.	Max.	
S3GBP41A	795 kcmil 37 Str. (1.036 Dia.) 874.5 kcmil 61 Str. (1.077 Dia.)	715 kcmil 24/7 Str. (1.036 Dia.) 715.5 kcmil 26/7 Str. (1.051 Dia.)	1.026 [26]	1.092 [28]	5/8'-11 x 1-1/2" LG. Alum. Alloy
S3GBP44A	954 kcmil 61 Str. (1.126 Dia.)	795 kcmil 24/7 Str. (1.092 Dia.) 795 kcmil 54/7 Str. (1.093 Dia.)	1.092 [28]	1.165 [30]	5/8'-11 x 1-3/4" LG. Alum. Alloy
S3GBP445A	1033.5 kcmil 37 Str. (1.170 Dia.) 1113 kcmil 61 Str. (1.216 Dia.)	954 kcmil 45/7 Str. (1.165 Dia.) 1033.5 kcmil 45/7 Str. (1.213 Dia.)	1.165 [30]	1.246 [32]	
S3GBP45A	1192 kcmil 61 Str. (1.258 Dia.) 1272 kcmil 61 Str. (1.300 Dia.)	1033.5 kcmil 54/7 Str. (1.246 Dia.) 1192.5 kcmil 54/7 Str. (1.333 Dia.)	1.246 [32]	1.382 [35]	
S3GBP46A	1590 kcmil 61 Str. (1.453 Dia.) 1600 kcmil 127 Str. (1.454 Dia.)	1272 kcmil 54/19 Str. (1.382 Dia.) 1431 kcmil 54/19 Str. (1.465 Dia.)	1.382 [35]	1.504 [38]	"5/8'-11 x 2" LG. Alum. Alloy"
S3GBP48A	1750 kcmil 127 Str. (1.526 Dia.) 2000 kcmil 91 Str. (1.630 Dia.)	1590 kcmil 47/7 Str. (1.502 Dia.) 1750 kcmil 84/19 Str. (1.602 Dia.)	1.504 [38]	1.632 [41]	
S3GBP483A	2000 kcmil 91 Str. (1.630 Dia.) 2250 kcmil 91 Str. (1.729 Dia.)	1890 kcmil 84/19 Str. (1.650 Dia.) 2167 kcmil 72/7 Str. (1.737 Dia.)	1.632 [41]	1.737 [44]	
S3GBP486A	2300 kcmil 61 Str. (1.750 Dia.) 2500 kcmil 127 Str. (1.823 Dia.)	2167 kcmil 72/7 Str. (1.737 Dia.) 2156 kcmil 84/19 Str. (1.762 Dia.)	1.737 [44]	1.824 [46]	

NOTES:

1. Dimensions in brackets [] are in millimeters.
2. For stainless steel hardware add SUFFIX "SS" to catalog number (example: S3GBP48ASS).
3. For variations in cable spacing contact factory.
4. For four hole straight pad tap or 90° version or bus support three bundled cable spacer, contact the factory.

M-36

**BIFURCATING
TERMINAL
CONNECTOR**

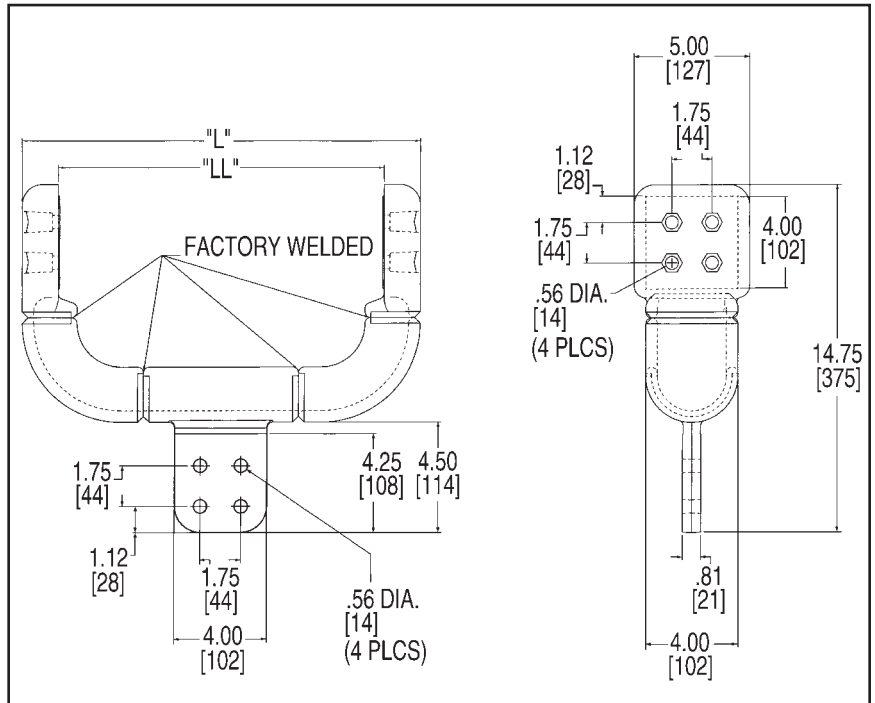
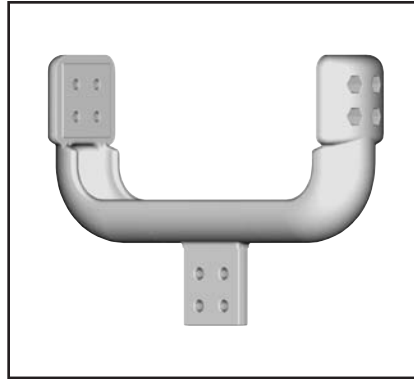
SF2A-NL-EX

Bolted type
Application: Four to Six Hole
NEMA Pad to Two
Four Hole NEMA
Recessed Pads

Bifurcating Terminal

**EHV RATED: SELF-SHIELDING
UP TO 550 kV**

Material: Cast 356 Aluminum Alloy



Catalog Number	"L"	"LL"
SF2A44NL12EX	17.21 [437]	13.97 [355]
SF2A44NL18EX	21.51 [546]	18.27 [464]

NOTES:

1. Dimensions in brackets [] are in millimeters.
2. One surface of pad finished. For finished pad on both sides add SUFFIX "Q" to the catalog number (example: SF2A44NL12EXQ).
3. Shielding caps are not required when terminals are installed within the recessed Housing. Hardware ordered separately.
4. Shielding caps are required when installing to center (non recessed) four hole NEMA Pad. Reference STS type shielding caps. Sold separately.
5. For six hole NEMA pad add "66" to catalog number (example: SF2A66NL12EX).

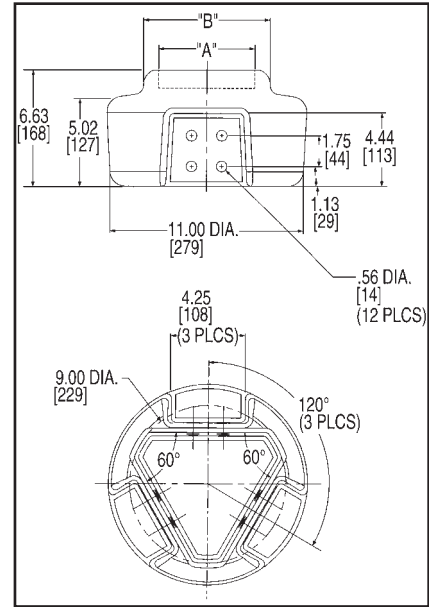
**TRIFURCATING COUPLER
CONNECTOR**

SW3A-A44N8

Weld type
Application: Bus to Trifurcating
Terminals

**EHV RATED: SELF-SHIELDING
UP TO 550 kV**

Material: Cast 356 Aluminum Alloy



Catalog Number	Accommodates		
	Alum. Tubing Size	"A" Dia.	"B" Dia.
SW3A20A44N8	3" [76]	3.56 [90]	5.06 [129]
SW3A22A44N8	4" [101]	4.57 [116]	6.09 [155]
SW3A24A44N8	5" [127]	5.65 [144]	7.16 [182]
SW3A86A44N8	6" [152]	6.72 [171]	8.00 [203]

NOTES:

1. Dimensions in brackets [] are in millimeters.
2. Shielding caps are not required when terminals are installed within the recessed housing. Hardware ordered separately.

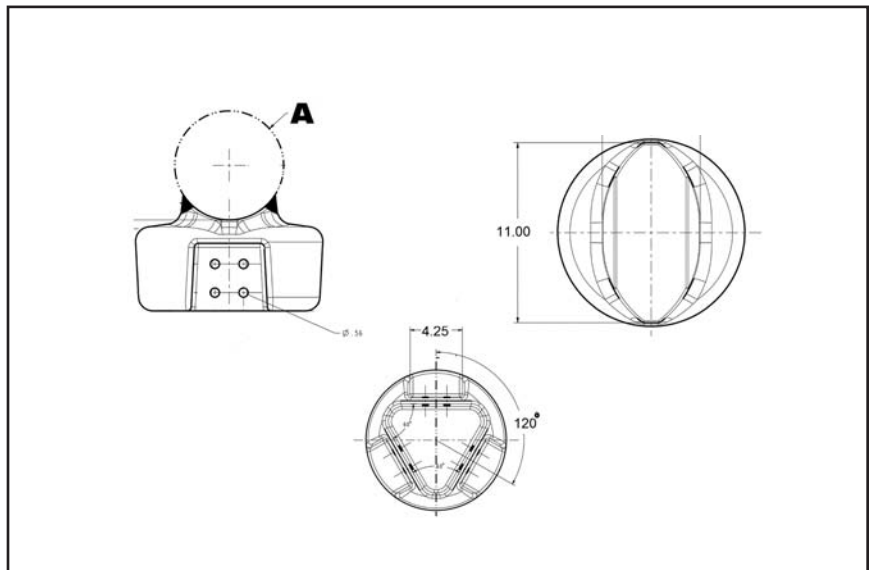
**TRIFURCATING TEE
CONNECTOR**

SW3AB-A44N8

Weld type
Application: Bus to Trifurcating
Terminals

**EHV RATED: SELF-SHIELDING
UP TO 550 kV**

Material: Cast 356 Aluminum Alloy



Catalog Number	Accommodates	
	Alum. Tubing Size	"A" Dia.
SW3AB20A44N8	3" [76]	3.50 [89]
SW3AB22A44N8	4" [101]	4.50 [114]
SW3AB24A44N8	5" [127]	5.56 [141]
SW3AB86A44N8	6" [152]	6.62 [168]

NOTES:

1. Dimensions in brackets [] are in millimeters.
2. Shielding caps are not required when terminals are installed within the recessed housing. Hardware ordered separately.

M-39

TABLE OF CONTENTS



Crimpers — Battery Actuated

- PAT46LWS..... N-8
- PAT46LW N-9
- PAT750..... N-10
- PAT644..... N-11
- PAT81KFT..... N-12
- PAT4PC834..... N-13
- PAT600..... N-14
- PAT500SJ6 Series N-15
- PATMD6 Series N-16
- PATMD6LIWCJ Series N-17
- PATMD6LICUTKIT1 Series N-18
- CSMD6 Series N-19



Crimpers — Self-Contained Hydraulic

- Y750HSXT N-20
- Y35..... N-21
- Y39..... N-22
- Y644HSXT N-23
- Y81KFT N-24
- Y4PC834 N-25
- Y500CTHS..... N-26



Tooling

Table of Contents - Continued

Crimpers — Remote Hydraulic

Y60LW.....	N-27
Y46LWSBH.....	N-28
Y46LWBH.....	N-29
Y45.....	N-30
Y750BHXT.....	N-31
Y35BH.....	N-32
Y39BH.....	N-33
Y644MBH.....	N-34
Y81KFTMBH.....	N-35
Y4PC834MBH.....	N-36
Y34BH.....	N-37
Y29BH.....	N-38



Crimpers — Mechanical & Ratchet

Y10D.....	N-39
Y1022.....	N-39
Y2210FL.....	N-40
YFTOOL Series.....	N-41
Y8MRB1.....	N-42
MR8 Series.....	N-43
Y10MRS A1.....	N-44
MRE1022 Series.....	N-45
MR Series.....	N-46
MR4C.....	N-47
Y1MRTC.....	N-48
Y122CMR.....	N-49
Y122CMR Kits.....	N-50
M8ND.....	N-51
MRC840 Series.....	N-52
MY28/MY29 Series.....	N-53
OH25.....	N-54
OUR840.....	N-55
MD6 Series.....	N-56
MD7 Series.....	N-57
MD734R.....	N-58





Crimpers — OEM

Y46OEM12T N-59
Y46OEM11T N-60
OEM840NCP N-61
Y6NCP1 N-62
Y6NCP1SD N-63



Dies, Die Kits

60-Ton Dies (HPS/Fargo-equivalent) N-64 to N-69
12-Ton U Dies N-70
U Die Kit Series N-71
UM-Style Dies N-72
W Dies N-73
W Die Kit Series N-74
W Die Related N-75



Cutters — Battery Actuated

PATCUT4CUAL N-76
 PATCUT2156 N-77
 PATCUT129 N-78
 PATCUT245 N-79
 PAT500SJCUT Series N-80
 PATMDCUT Series N-81
 PATMDALLIF Series N-82
 BCC1000CUAL N-83



Cutters — Self-Contained Hydraulic

YCUT129ACSR N-84

Cutters — Remote Hydraulic

RHCC4CUAL N-85
 RHCC2156ACSR N-86
 RHCC129ACSR N-87
 RHCC245CUAL N-88



Cutters — Mechanical & Ratchet

MCC Series N-89
 RCC Cu/Al Series N-90
 RCC Cu/Al & ACSR Series N-91
 RWRC Series N-92



Hydraulic Pumps

Y10AC9 N-93
 EPP10 N-94
 EP10 N-95
 EPAC10 N-96
 HP10 N-97
 FP10 N-97
 GP10 N-98



Hydraulic Hoses; Pump Accessories

Hydraulic Hoses N-99 to N-100
 Pump Accessories N-101



Accessories

MD6 / MD7 Related N-102
Miscellaneous Accessories..... N-103



Gauges

FORCEGAUGE1215 N-104
PT292792..... N-104
WIREMIKE..... N-105

Adjustable Ratchet Torque Tools N-106



WEJTAP™ Installation Tooling

WEJTAP™ Tooling & Accessories..... N-107
Accessories and Kits..... N-108
Hotstick Accessories..... N-109



Auger BitsN-110



Low Pressure Hydraulic

HIW716ENF Impact WrenchN-111
HIW716MAG Impact WrenchN-112
LPHY750XT CrimperN-113
HBR Series BreakersN-114
Submersible PumpsN-115
HPT-R1 Series TampersN-116
HHS Series Hand Chain Saws.....N-117
HPS-LW Series Pole Saws.....N-118
HPP Series Power Packs.....N-119
Low Pressure Hydraulic Accessories N-120



Dieless Tool Expanded Cable Range Information

4-POINT® Series.....N-121 to N-122
Y644 Series N-123

IMPORTANT NOTES:

Unless noted, product is **not recommended for use on energized lines.**

Notes for battery operated crimpers and cutters:

It is recommended that battery be removed when changing jaws, changing dies or storing tool in case.

Select battery operated tools are available in alternate versions :

- Lithium-Ion; 3.0Ah, 5.0Ah
 - AC
 - DC
 - LCB (Less Charger, Batteries)
 - LCCB (Less Case, Charger, Batteries)

- Nickel Metal Hydride
 - AC
 - DC
 - 250 Volt

Contact Customer Service for further information.



EP (Enhanced Power) PATRIOT® tools operate on an 18V lithium-ion battery and are designed to accept an expanded range of Makita batteries, from larger capacity 5.0Ah to smaller 2.0Ah capacity, providing the user more choices and flexibility.

PLEASE NOTE: Prior models, tools **WITHOUT** the EP Enhanced Power label, will only accept Makita 18V 3.0Ah batteries. Do not force a 5.0Ah (or other size) battery into the tool. **Damage caused by doing so will void the warranty.**

Introduction

Installation Tools

The BURNDY® Engineered System features the most complete line of installation tools in the electrical industry. Available in various styles: battery actuated, mechanical, full cycle ratchet, self contained hydraulic, remote controlled hydraulic, along with power actuated pumps, hoses and accessories. BURNDY has the options to suit your needs. BURNDY tools are designed to integrate with the complete line of BURNDY connectors. Whether you're a small contractor working with #22 wire or a large utility working with 2500 kcmil conductor, there is a BURNDY tool available to do the job.

The benefits of the BURNDY® Engineered System are many, however, probably the most significant benefit is reliability. There is nothing more important to the electrical industry today than reliability. It represents the one area that leads to economical installations that will endure for the life of the installation.

Tool Center

An important element of the BURNDY® Engineered System is the BURNDY Tool Center, located at 150 Burndy Road, Littleton, NH 03561 (800-426-8720 or 603-621-4499). This center provides advice and information on the operation, maintenance and repair of BURNDY tools. The repair center is staffed with specialized technicians who provide the best possible service for all BURNDY tools, pumps and accessories.

BURNDY designed and produced the first self contained hydraulic compression electrical connector installation tool in 1934. In our continuing efforts to provide the highest quality and highest value connection systems, we offer the current BURNDY tool policy.

Limited Warranty

The majority of BURNDY tools are warranted to be free of defects in materials and workmanship for a period of five (5) years from the date of shipment. See specific tool page for length of warranty. If inspection by a certified technician

shows the trouble is caused by defective workmanship or material, BURNDY will repair or (at our option) replace the tool.

This Warranty does not apply where:

- Repairs or alterations have been made or attempted by others
- Repairs are required because of normal wear and tear
- The tool has been abused, misused or improperly maintained
- The use of any non-BURNDY product has resulted in damage to the tool

Repair Policy

All non-warranty repaired tools are completely reconditioned and receive a limited 1-year warranty. Non-warranty repair returns tools to like-new condition at a maximum cost of 40% of a new tool. A nominal service charge of \$5 is applied to all repairs to cover shop supplies, oil disposal and other miscellaneous services not covered as part of the standard repair.

If the decision is made not to repair, a handling charge of \$25.00 will be applied plus return freight costs.

Return Procedure

All tools sent to the BURNDY Tool Center (1-800-426-8720) or an authorized repair center must be accompanied by a purchase order with detailed bill to and ship to address authorizing repair. Requests for repair charges before work is done must be stated on the purchase order. All tools sent to the BURNDY Tool Center or an authorized repair center as a warranty claim must be accompanied by a proof of purchase such as a BURNDY invoice or invoice from any BURNDY distributor.

All tools must be shipped at the owner's expense, prepaid. BURNDY pays for the return freight, same surface freight as received. Airfreight returns will be returned same way collect for non-warranty repair and prepaid for warranty repairs.

This warranty and repair policy supercedes all previous policies and is in effect as of January 1, 2005.

PAT46LWS

15-Ton, Light Weight C-Head Hydraulic Self-Contained, 18V Lithium-Ion

- 2" jaw opening
- Used with P dies; U dies with PUADP1 adapter (sold separately)
- Light weight, scoop style C-head with 355° head rotation
- Overmolded, ergonomic handle
- Improved ergonomic balance
- Includes 2 batteries, charger, and polymer carrying case
- **EP Enhanced Power** labeled tools accept 2.0, 3.0, 4.0, and 5.0Ah Makita batteries

For Use On:

Copper - #8 AWG Str. - 1500 kcmil

Code Cable, Navy Cable, Flexible, Extra Flexible
1/2" - 1" Ground Rods

Terminals, grounding:

to 500 kcmil; YGA, YGHA, YGF

Terminals, uninsulated:

#8 - 1500 kcmil; YA, YA-2N, YA-L, YA-LB, YA-TC,
YA-2LN, YAB-4N, YAV-L, YAV-RS, YA-TC-FX

Terminals, insulated:

#8 - 2/0; YAEV-L, YAEV-H, YAEV-RS, YAEV-RH

Splices:

#8 - 1500 kcmil; YS, YS-T, YS-L, YS-LB, YST,
YSP-T, YGS, YGHS

Taps:

#14 - 1000 kcmil; YH, YCHC
to 4/0 AWG; YC-C

Taps, grounding:

to 500 kcmil; YGHC-C, YGHP-C, YGHR-C

Aluminum - #8 AWG - 1250 kcmil

Code Cables

Terminals: YA-A, AYP, AYPO

Splices: YS-A, YS-AT, YRB

Taps: YFD, YFN, YFO, YFR

ACSR - see Overhead Transmission & Distribution
Sections H & I of the current BURNDY® Master
Catalog



Specifications:

Output Force:	15 Tons
Tool Weight:	18.9 lbs
Size:	18.00" x 14.00" x 3.00"
Die Style:	P and U style (with PUADP1)
Jaw Opening:	2.00"
Operating Voltage:	18 V-DC Lithium-Ion
Recharge Time:	30 minutes (3.0Ah) 45 minutes (5.0Ah)
Warranty:	5 year limited warranty Lifetime warranty on INFINITY DRIVE® 3 year on batteries and charger

Accessories:

Catalog Number:	Description:
P15K:	Cutter Die, max. diameter 1.2"
PUADP1:	U Die Adapter
BAT18VLI:	3.0Ah Li-Ion battery
BAT18V5AHLI:	5.0Ah Li-Ion battery
PATCHGRLI:	120V-AC Charger
PATCHGRLLDC:	12/24V-DC Charger
PT208620:	Lanyard

Variations: (additional variations may be available)

Catalog Number:	Description:
PAT46LWSLI	with 3.0Ah Li-Ion batteries
PAT46CLWSLI	with rubber covered head (3.0Ah)
PAT46LWSL5	with 5.0Ah Li-Ion batteries
PAT46CLWSL5	with rubber covered head (5.0Ah)

See Important Notes on Page N-6.

PAT46LW

15-Ton, Light Weight Latch Head
Hydraulic Self-Contained, 18V Lithium-Ion

- 2" jaw opening
- Used with P dies; U dies with PUADP1 adapter (sold separately)
- Light weight, Latch-head
- 355° head rotation
- Ergonomically balanced
- Includes 2 batteries, charger, and polymer carrying case
- **EP Enhanced Power** labeled tools accept 2.0, 3.0, 4.0, and 5.0Ah Makita batteries

For Use On:

Copper - #8 AWG Str. - 1500 kcmil

Code Cable, Navy Cable, Flexible, Extra Flexible
1/2" - 1" Ground Rods

Terminals, grounding:

to 500 kcmil; YGA, YGHA, YGF

Terminals, uninsulated:

#8 - 1500 kcmil; YA, YA-2N, YA-L, YA-LB, YA-TC,
YA-2LN, YAB-4N, YAV-L, YAV-RS, YA-TC-FX

Terminals, insulated:

#8 - 2/0; YAEV-L, YAEV-H, YAEV-RS, YAEV-RH

Splices:

#8 - 1500 kcmil; YS, YS-T, YS-L, YS-LB, YST,
YSP-T, YGS, YGHS

Taps:

#14 - 1000 kcmil; YH, YCHC
to 4/0 AWG; YC-C

Taps, grounding:

to 500 kcmil; YGHC-C, YGHP-C, YGHR-C

Aluminum - #8 AWG - 1250 kcmil

Code Cables

Terminals: YA-A, AYP, AYPO

Splices: YS-A, YS-AT, YRB

Taps: YFD, YFN, YFO, YFR

ACSR - see Overhead Transmission & Distribution
Sections H & I of the current BURNDY® Master
Catalog



Specifications:

Output Force:	15 Tons
Tool Weight:	16.8 lbs
Size:	18.75" x 13.75" x 3.75"
Die Style:	P and U style (with PUADP1)
Jaw Opening:	2.00"
Operating Voltage:	18 V-DC Lithium-Ion
Recharge Time:	30 minutes (3.0Ah) 45 minutes (5.0Ah)
Warranty:	5 year limited warranty Lifetime warranty on INFINITY DRIVE® 2 year on batteries and charger

Accessories:

Catalog Number:	Description:
P15K:	Cutter Die, max. diameter 1.2"
PUADP1:	U Die Adapter
BAT18VLI:	3.0Ah Li-Ion battery
BAT18V5AHLI:	5.0Ah Li-Ion battery
PATCHGRLLI:	120V-AC Charger
PATCHGRLLDC:	12/24V-DC Charger
PT208620:	Lanyard

Variations: (additional variations may be available)

Catalog Number:	Description:
PAT46LWLI	with 3.0Ah batteries
PAT46LWL5	with 5.0Ah batteries

See Important Notes on Page N-6.

PAT750

PATRIOT® 12-Ton, C-Head
 Hydraulic Self-Contained, 18V Lithium-Ion

- 1.65" jaw opening
- Used with U dies
- C-head with 355° head rotation
- Bearing/alignment guide for HYGROUND® as well as other asymmetrical connectors
- Includes 2 batteries, charger, and polymer carrying case
- **EP Enhanced Power** labeled tools accept 2.0, 3.0, 4.0, and 5.0Ah Makita batteries



For Use On:

Tension Sleeves

Copper	#8 sol. - 500 kcmil
Aluminum	#8 sol. - 587.2 kcmil
ACSR	#4 - 556.5 kcmil

Taps

Copper	#14 sol. - 500 kcmil
Aluminum	#8 - 500 kcmil

Aerial Cable

Copper	#6 - 500 kcmil
--------	----------------

Terminals & Splices

Copper	#8 - 750 kcmil
Aluminum	#8 - 750 kcmil
ACSR	#4 - 556 kcmil

HYGROUND® (Compression Grounding)

Copper	#8 - 500 kcmil
Ground Rods	1/2" - 1" diameter



Wide U-dies (sold separately) can be used with long barrel terminals and splices saving time and labor!

Specifications:

Output Force:	12 Tons
Tool Weight:	15.7 lbs
Size:	15.75" x 13.50" x 3.50"
Die Style:	U style
Jaw Opening:	1.65"
Operating Voltage:	18 V-DC Lithium-Ion
Recharge Time:	30 minutes (3.0Ah) 45 minutes (5.0Ah)
Warranty:	5 year limited warranty Lifetime warranty on INFINITY DRIVE® 3 year on batteries and charger

Accessories:

Catalog Number:	Description:
BAT18VLI:	3.0Ah Li-Ion battery
BAT18V5AHLI:	5.0Ah Li-Ion battery
PATCHGRLI:	120V-AC Charger
PATCHGRLLDC:	12/24V-DC Charger
PT208620:	Lanyard

Variations: (additional variations may be available)

Catalog Number:	Description:
PAT750LI	with 3.0Ah Li-Ion batteries
PAT750CLI	PAT750LI with rubber covered head (3.0Ah)
PAT750KLI	PAT750LI with KEARNEY™ style head (3.0Ah) used with KEARNEY™ WH1 and WH2 and BURNDY U dies with KUADP adapter (sold separately)
PAT750L5	with 5.0Ah Li-Ion batteries
PAT750CL5	PAT750L5 with rubber covered head (5.0Ah)

See Important Notes on Page N-6.

PAT644

PATRIOT® 11-Ton, Latch Head
Hydraulic Self-Contained, 18V Lithium-Ion

- Dieless system
- Range taking capabilities
- 355° head rotation
- Ergonomically balanced
- Includes 2 batteries, charger, and polymer carrying case
- **EP Enhanced Power** labeled tools accept 2.0, 3.0, 4.0, and 5.0Ah Makita batteries



For Use On:

Copper #6 -1000 kcmil

Terminals: YA-L, YA-2LN, YA, YA-2N, YA-L-2TC, YAB-4N, YA-L-TC, YA-2L, YA-4N

Splices: YS-L, YS, YS-T

Aluminum #6 - 900 kcmil

Terminals: YA-A, YA-A-TN

Splices: YS-A

HYPLUG™: AYP, AYPO

See Expanded Range details in Reference Section

Variations: (additional variations may be available)

Catalog Number:	Description:
PAT644LI	with 3.0Ah Li-Ion batteries
PAT644L5	with 5.0Ah Li-Ion batteries

Specifications:

Output Force:	11 Tons
Tool Weight:	15.9 lbs
Size:	15.62" x 14.12" x 3.25"
Die Style:	Dieless
Operating Voltage:	18 V-DC Lithium-Ion
Recharge Time:	30 minutes (3.0Ah) 45 minutes (5.0Ah)
Warranty:	5 year limited warranty Lifetime warranty on INFINITY DRIVE® 3 year on batteries and charger

Accessories:

Catalog Number:	Description:
BAT18VLI:	3.0Ah Li-Ion battery
BAT18V5AHLI:	5.0Ah Li-Ion battery
PATCHGRLLI:	120V-AC Charger
PATCHGRLLIDC:	12/24V-DC Charger
PT208620:	Lanyard

See Important Notes on Page N-6.

PAT81KFT

6-Ton, 4-POINT® Dieless Latch Head Hydraulic Self-Contained, 18V Lithium-Ion

- Dieless system
- Range taking capabilities
- 360° head rotation
- Mechanical ram release (no battery consumption)
- Includes 2 batteries, charger, and polymer carrying case
- **EP Enhanced Power** labeled tools accept 2.0, 3.0, 4.0, and 5.0Ah Makita batteries

For Use On:

Copper #8 -1000 kcmil

Terminals: YA, YA-L

Splices: YS-L, YS, YS-T, Y-R

Copper Flex #8 - 777.7 kcmil Flex (750 Nominal)

Terminals: YA-FX, YAV, YA-L-FX

Splices: YS, YSV-FXB

Aluminum #8 - 750 kcmil

Terminals: YA-A, YA-A-TN

Splices: YS-A

HYPLUG™: AYP, AYPO

See Expanded Range details in Reference Section

Variations: (additional variations may be available)

Catalog Number:	Description:
PAT81KFTLI	with 3.0Ah Li-Ion batteries
PAT81KFL5	with 5.0Ah Li-Ion batteries



Specifications:

Output Force:	6 Tons
Tool Weight:	13.2 lbs
Size:	15.62" x 14.12" x 3.25"
Die Style:	Dieless
Operating Voltage:	18 V-DC Lithium-Ion
Recharge Time:	30 minutes (3.0Ah) 45 minutes (5.0Ah)
Warranty:	5 year limited warranty Lifetime warranty on INFINITY DRIVE® 3 year on batteries and charger

Accessories:

Catalog Number:	Description:
BAT18VLI:	3.0Ah Li-Ion battery
BAT18V5AHLI:	5.0Ah Li-Ion battery
PATCHGRLLI:	120V-AC Charger
PATCHGRLLDC:	12/24V-DC Charger
PT208620:	Lanyard

PAT4PC834

6-Ton, 4-POINT® Dieless, C-Head
Hydraulic Self-Contained, 18V Lithium-Ion

- Dieless system
- Range taking capabilities
- 360° head rotation
- Ergonomically balanced
- Includes 2 batteries, charger, and polymer carrying case
- **EP Enhanced Power** labeled tools accept 2.0, 3.0, 4.0, and 5.0Ah Makita batteries



For Use On:

Copper

Terminals: YA, YA-L (#8-1000 kcmil)

Splices: YS-L, YS, YS-T, Y-R (#8-500 kcmil)

Copper Flex

Terminals: YA-FX, YAV, YA-L-FX (#8-777.7 Flex)

Splices: YS, YSV-FXB (#8-500 kcmil)

Aluminum

Terminals: YA-A, YA-A-TN (#8-750 kcmil)

Splices: YS-A (#8-350 kcmil)

HYPLUG™: AYP, AYPO (#8-750 kcmil)

See Expanded Range details in Reference Section

Variations: (additional variations may be available)

Catalog Number:	Description:
PAT4PC834LI	with 3.0Ah Li-Ion batteries
PAT4PC834L5	with 35.0Ah Li-Ion batteries

Specifications:

Output Force:	6 Tons
Tool Weight:	13.0 lbs
Size:	15.62" x 14.12" x 3.25"
Die Style:	Dieless
Operating Voltage:	18 V-DC Lithium-Ion
Recharge Time:	30 minutes (3.0Ah) 45 minutes (5.0Ah)
Warranty:	5 year limited warranty Lifetime warranty on INFINITY DRIVE® 3 year on batteries and charger

Accessories:

Catalog Number:	Description:
BAT18VLI:	3.0Ah Li-Ion battery
BAT18V5AHLI:	5.0Ah Li-Ion battery
PATCHGRLI:	120V-AC Charger
PATCHGRLIDC:	12/24V-DC Charger
PT208620:	Lanyard

See Important Notes on Page N-6.

PAT600

PATRIOT® 6-Ton, Latch Head
 Hydraulic Self-Contained, 18V Lithium-Ion

- Permanent functional D3 groove (no die needed)
- Uses W, X, W-VT style dies
- 180° head rotation
- Enhanced clearance for tap connections
- Includes 2 batteries, charger, and polymer carrying case
- **EP Enhanced Power** labeled tools accept 2.0, 3.0, 4.0, and 5.0Ah Makita batteries

For Use On:

Copper #8 -600 kcmil

Terminals: YA, YA-L

Splices: YS-L, YS, YS-T, Y-R

Copper Flex #8 - 350 kcmil Flex

Terminals: YA-FX, YAV, YA-L-FX

Splices: YS, YSV-FXB

Aluminum #8 - 350 kcmil

Terminals: YA-A, YA-A-TN

Splices: YS-A

Variations: (additional variations may be available)

Catalog Number:	Description:
PAT600LI	with 3.0Ah Li-Ion batteries
PAT600L5	with 5.0Ah Li-Ion batteries



Specifications:

Output Force:	6 Tons
Tool Weight:	10.1 lbs
Size:	14.50" x 13.75" x 3.50"
Die Style:	W, V, W-VT style dies
Operating Voltage:	18 V-DC Lithium-Ion
Recharge Time:	30 minutes (3.0Ah) 45 minutes (5.0Ah)
Warranty:	5 year limited warranty Lifetime warranty on INFINITY DRIVE® 3 year on batteries and charger

Accessories:

Catalog Number:	Description:
BAT18VLI:	3.0Ah Li-Ion battery
BAT18V5AHLI:	5.0Ah Li-Ion battery
PATCHGRLLI:	120V-AC Charger
PATCHGRLLIDC:	12/24V-DC Charger
PT208620:	Lanyard
WDIETREE:	W die holder

PAT500SJ6

PATRIOT® 6-Ton, Scissor Action
Hydraulic Self-Contained, 18V Lithium-Ion

- Interchangeable scissor action crimping and cutting jaws
- 180° head rotation
- Uses W and X style dies
- Ergonomically balanced tool design
- Includes 2 batteries, charger, and polymer carrying case
- **EP Enhanced Power** labeled tools accept 2.0, 3.0, 4.0, and 5.0Ah Makita batteries



For Use On:

Copper, Aluminum, ACSR, Steel, Copperweld, Alumoweld, 6201, 5005, Compressed, and Compact Conductors

Taps:

Copper: #10 sol. to 2/0 str.
Aluminum & ACSR: #14 sol. to 4/0 ACSR

Stirrups:

#6 to 4/0 ACSR

Overhead Full Tension Deadends, Full Tension Splices and Terminals:

#10 str. to 4/0 ACSR

Installs Splices, Taps or Terminations:

#8 to 500 kcmil Copper Stranded (YA, YA-L, YS, YS-L)
#8 to 350 kcmil Copper Flex
#8 to 350 kcmil Aluminum (YA-A, YS-A)

Variations: (additional variations may be available)

Catalog Number:	Description:
PAT500SJ6LI	BG and D3 grooves (3.0Ah)
PAT500SJ68LI	O and D3 grooves (3.0Ah)
PAT500SJ66LI	D3 groove only (snub-nose) (3.0Ah)
PAT500SJ6L5	BG and D3 grooves (5.0Ah)
PAT500SJ68L5	O and D3 grooves (5.0Ah)
PAT500SJ66L5	D3 groove only (snub-nose) (5.0Ah)

Kits:

Catalog Number:	Description:
PAT500SJ6LICUTKIT1	Kit includes crimp head with BG & D3 grooves, cutter jaw, 120V charger and 2 batteries (3.0Ah)
PAT500SJ68LICUTKIT1	Kit includes crimp head with O & D3 grooves, cutter jaw, 120V charger and 2 batteries (3.0Ah)

Specifications:

Output Force:	6 Tons
Tool Weight:	11.5 lbs
Size:	17.00" X 14.25" X 3.00"
Die Style:	W and X (with crimping jaws)
Operating Voltage:	18 V-DC Lithium-Ion
Recharge Time:	30 minutes (3.0Ah) 45 minutes (5.0Ah)
Warranty:	5 year limited warranty Lifetime warranty on INFINITY DRIVE® 3 year on batteries and charger

Accessories:

Catalog Number:	Description:
BAT18VLI:	3.0Ah Li-Ion battery
BAT18V5AHLI:	5.0Ah Li-Ion battery
PATCHGRLLI:	120V-AC Charger
PATCHGRLLDC:	12/24V-DC Charger
PATMD6JC:	Jaw covers for PATMD6 and PATMD68 versions
PATMD66JC:	Jaw covers for PATMD66 snub-nose versions
PT10074020:	Wrist strap
W28K:	Cutter Dies (cuts 4-4/0 Cu, Al, ACSR)
WDIETREE:	W-die holder for 6 die sets

Interchangeable Jaw Assemblies:

Catalog Number:	Description:
PATJAWSMD6	BG and D3 grooves
PATJAWSMD68	O and D3 grooves
PATJAWSMD66	D3 groove only (snub-nose)
PATJAWSCUT	Cutter jaw set

See Important Notes on Page N-6.

PATMD6LIWCJ

6-Ton, IN-LINE®, Crimp/Cut Kit
Hydraulic Self-Contained, 18V Lithium-Ion

- Interchangeable scissor action crimping and cutting jaws included
- 350° head rotation; trigger lock
- Actuated blade guide (with cutting jaws)
- Kit includes tool, crimping jaw, cutting jaw, 2 batteries, charger, and soft carrying case

For Use On:

Crimping:

Copper, Aluminum, ACSR, Steel, Copperweld, Alumoweld, 6201, 5005, Compressed, and Compact Conductors

Taps:

Copper: #10 sol. to 2/0 str.
Aluminum & ACSR: #14 sol. to 4/0 ACSR

Stirrups:

#6 to 4/0 ACSR

Overhead Full Tension Deadends, Full Tension Splices and Terminals:

#10 str. to 4/0 ACSR

Installs Splices, Taps or Terminations:

#8 to 500 kcmil Copper Stranded (YA, YA-L, YS, YS-L)
#8 to 350 kcmil Copper Flex
#8 to 350 kcmil Aluminum (YA-A, YS-A)

Cutting Capacity (Maximum):

ACSR:

556 kcmil (26/7 Dove)

AAC:

636 kcmil

Copper:

500 kcmil soft drawn copper



Specifications:

Output Force:	6 Tons
Tool Weight:	7.8 lbs
Size:	21.00" x 5.50" x 3.75"
Die Style:	W and X (with crimping jaws)
Operating Voltage:	18 V-DC Lithium-Ion
Recharge Time:	30 minutes
Warranty:	5 year limited warranty Lifetime warranty on INFINITY DRIVE® 3 year on batteries and charger

Variations: (additional variations may be available)

Catalog Number:	Description:
PATMD6LIWCJ	BG & D3 Grooves, soft case
PATMD68LIWCJ	O & D3 Grooves, soft case
PATMD66LIWCJ	D3 Groove only (Snub-nose), soft case
PATMD6KLIWCJ	KEARNEY™ (Snub-nose), hard case

Accessories:

Catalog Number:	Description:
BAT18VLI:	Hi-capacity LI battery (3.0 AH)
PATCHGRLI:	120V-AC Charger
PATCHGRLLDC:	12/24V-DC Charger
PATMD6JC:	Jaw covers for PATMD6 and PATMD68 versions
PATMD66JC:	Jaw covers for PATMD66 snub-nose versions
PATMD6KJC:	Jaw covers for PATMD6K snub-nose versions
W28K:	Cutter Dies (cuts 4-4/0 Cu, Al, ACSR)
WDIETREE:	W die holder for 6 sets (sold separately)
TOOLBAGMDLI:	Replacement Tool Bag
PT10074020:	Wrist Strap

See Important Notes on Page N-6.

PATMD6LICUTKIT1

6-Ton, IN-LINE®, Crimp/Cut Kit Hydraulic Self-Contained, 18V Lithium-Ion

- Interchangeable scissor action crimping and cutting jaws included
- 350° head rotation; trigger lock
- Actuated blade guide (with cutting jaws)
- Kit includes tool, crimping jaw, cutting jaw, 2 batteries, charger, and hard plastic carrying case

For Use On:

Crimping:

Copper, Aluminum, ACSR, Steel, Copperweld, Alumoweld, 6201, 5005, Compressed, and Compact Conductors

Taps:

Copper: #10 sol. to 2/0 str.

Aluminum & ACSR: #14 sol. to 4/0 ACSR

Stirrups:

#6 to 4/0 ACSR

Overhead Full Tension Deadends, Full Tension Splices and Terminals:

#10 str. to 4/0 ACSR

Installs Splices, Taps or Terminations:

#8 to 500 kcmil Copper Stranded (YA, YA-L, YS, YS-L)

#8 to 350 kcmil Copper Flex

#8 to 350 kcmil Aluminum (YA-A, YS-A)

Cutting Capacity (Maximum):

ACSR:

556 kcmil (26/7 Dove)

AAC:

636 kcmil

Copper:

500 kcmil soft drawn copper



Includes Case

Specifications:

Output Force:	6 Tons
Tool Weight:	7.8 lbs
Size:	21.00" x 5.50" x 3.75"
Die Style:	W and X (with crimping jaws)
Operating Voltage:	18 V-DC Lithium-Ion
Recharge Time:	30 minutes
Warranty:	5 year limited warranty Lifetime warranty on INFINITY DRIVE® 1 year on batteries and charger

Variations: (additional variations may be available)

Catalog Number:	Description:
PATMD6LICUTKIT1	BG & D3 Grooves, hard case
PATMD68LICUTKIT1	O & D3 Grooves, hard case
PATMD66LICUTKIT1	D3 Groove only (Snub-nose), hard case
PATMD6KLICUTKIT1	KEARNEY™ (Snub-nose), hard case

Accessories:

Catalog Number:	Description:
BAT18VLI:	Hi-capacity LI battery (3.0 AH)
PATCHGRLL:	120V-AC Charger
PATCHGRLLDC:	12/24V-DC Charger
PATMD6JC:	Jaw covers for PATMD6 and PATMD68 versions
PATMD66JC:	Jaw covers for PATMD66 snub-nose versions
PATMD6KJC:	Jaw covers for PATMD6K snub-nose versions
W28K:	Cutter Dies (cuts 4-4/0 Cu, Al, ACSR)
WDIETREE:	W die holder for 6 sets (sold separately)
PT50025151:	Replacement plastic carry case
PT10074020:	Wrist Strap

See Important Notes on Page N-6.

CSMD6LI

Contractor Series, 6-Ton, IN-LINE®
Hydraulic Self-Contained, 18V Lithium-Ion

- 2 economy versions available with a fixed jaw
- 350° head rotation
- Accepts all BURNDY W and X style die sets
- Safety lock, ergonomically balanced, non-slip grip
- Includes 1 (3.0Ah) battery and charger

For Use On:

Copper, Aluminum, ACSR, Steel, Copperweld, Alumoweld, 6201, 5005, Compressed, and Compact Conductors

Taps:

Copper: #10 sol. to 2/0 str.
Aluminum & ACSR: #14 sol. to 4/0 ACSR

Stirrups:

#6 to 4/0 ACSR

Overhead Full Tension Deadends, Full Tension

Splices and Terminals:

#10 str. to 4/0 ACSR

Installs Splices, Taps or Terminations:

#8 to 500 kcmil Copper Stranded (YA, YA-L, YS, YS-L)
#8 to 350 kcmil Copper Flex
#8 to 350 kcmil Aluminum (YA-A, YS-A)

Variations: (additional variations may be available)

Catalog Number:	Description:
CSMD6LI:	BG and D3 grooves
CSMD68LI:	O and D3 grooves



*Shown: CSMD6-LI
Scissor-action jaws,
safety orange*

Specifications:

Output Force:	6 Tons
Tool Weight:	7.8 lbs
Size:	21.00" x 5.50" x 3.75"
Die Style:	W and X
Operating Voltage:	18 V-DC Lithium-Ion
Recharge Time:	30 minutes
Warranty:	1 year limited warranty tool, battery, and charger

Accessories:

Catalog Number:	Description:
BAT18VLI:	Hi-capacity LI battery (3.0 AH)
PATCHGRLL:	120V-AC Charger
PATCHGRLLDC:	12/24V-DC Charger
PATMD6JC:	Jaw covers for CSMD6 and CSMD68 versions
W28K:	Cutter Dies (cuts 4-4/0 Cu, Al, ACSR)
WDIETREE:	W-die holder for 6 die sets
TOOLBAGMDLI:	Tool bag (sold separately)
PT10074020:	Wrist strap

See Important Notes on Page N-6.

Y750HSXT

12-Ton, C-Head, HYPRESS™
 Hydraulic Self-Contained, Hand Operated Tool

- 355° head rotation
- 1.65" jaw opening
- Rapid advance pump
- Uses standard BURNDY U dies (sold separately)

For Use On:

Tension Sleeves

Copper	#8 sol. - 500 kcmil
Aluminum	#8 sol. - 587.2 kcmil
ACSR	#4 - 556.5 kcmil

Taps

Copper	#14 sol. - 500 kcmil
Aluminum	#8 - 500 kcmil

Aerial Cable

Copper	#6 - 500 kcmil
--------	----------------

Terminals & Splices

Copper	#8 - 750 kcmil
Aluminum	#8 - 750 kcmil
ACSR	#4 - 556 kcmil

HYGROUNDR® (Compression Grounding)

Copper	#8 - 500 kcmil
Ground Rods	1/2" - 1" diameter

Variations:

Catalog Number:	Description:
Y750HSXT	Standard version
Y750CHSXT	Rubber covered head version



Specifications:

Output Force:	12 Tons
Tool Weight:	14.5 lbs
Size:	24.00" x 8.75" x 2.88"
Die Style:	U style
Jaw Opening:	1.65"
Warranty:	5 year limited warranty

Accessories:

Catalog Number:	Description:
PT10024162:	Plastic carrying case for Y750HSXT/Y750CHSXT
FORCEGAUGE1215:	Force test gauge for accurate reading of output force
PT29291:	Steel die case for U dies

Y35

12-Ton, C-Head, HYPRESS™
Hydraulic Self-Contained, Hand Operated Tool

- 180° head rotation
- Uses BURNDY U style dies (sold separately)
- Body and handles rubber covered for impact protection
- Trigger controlled ram release

For Use On:

Copper #8 str. - 500 kcmil code cable

- Grounding Terminals:**
YGH, YGHA, YGF
- Grounding Splices:**
YGS, YGHS

Copper #8 str. - 500 kcmil and up to 3/4" ground rod

- Grounding Taps:**
YGHC-C, YGHP-C, YGHR-C

Copper #8 str. - 750 kcmil code cable, N30 - N500 Navy cable, flexible, and extra flex

- Terminals (Bare):**
YA, YA-2N, YA-L, YA-LB, YA-2LN
- Terminals (Insulated):**
YAEV-L, YAEV-H, YAEV-RS, YAEV-RH
- Splices to 400 kcmil only:**
YS, YS-T, YS-L, YS-LB, YSV-L, YSM

Aluminum #8 str. - 750 kcmil code cable

- Terminals:**
YA-A, AYP, AYPO
- Splices to 350 kcmil only:**
YSA, YRB, YS-AT

ACSR:

See Overhead Transmission and Distribution sections in the BURNDY Master Catalog



Specifications:

Output Force:	12 Tons
Tool Weight:	13.0 lbs
Size:	23.25" x 8.75" x 4.75"
Die Style:	U style
Warranty:	5 year limited warranty

Variations:

Catalog Number:	Description:
Y35	Standard tool (rubber covered body and handles only)
Y352	Y35 with rubber covered head, body, and handles

Accessories:

Catalog Number:	Description:
PT2972:	Steel Carry Case for Y35 (included with tool)
PT29360:	Steel Carry Case for Y352 (included with tool)
Y35/Y39REPKITA:	Seal Repair Kit

Y39

12-Ton, Latch Head, HYPRESS™
Hydraulic Self-Contained, Hand Operated Tool

- 180° head rotation
- Body and handles rubber covered for impact protection
- Trigger controlled ram release
- Uses standard BURNDY U dies (sold separately)

For Use On:

Copper #6 AWG - 750 kcmil str. Code Cable
N30 - N650 Navy Cable, Flexible, and Extra Flexible

Terminals (Bare):

YA, YA-L, YA-LB, YGH, YGHA

Splices and Tees (Bare):

YS, YS-L, YS-LB, YS-T, YSP-T, YST

Copper AN or AIR #6 AWG - 4/0 str. Code Cable
AN6 - AN4/0 Aircraft Cable, Flexible, and Extra Flexible

Terminals (Bare):

YAV-L, YAV-RS

Splices (Bare):

YSV-L

Copper #8 AWG - 2/0 str. Code Cable
AN8 - AN2/0 Aircraft Cable, Flexible, and Extra Flexible

Terminals (Insulated):

YAEV-L, YAEV-RS, YAEV-RH

Copper #12 AWG sol. - 250 kcmil

Taps:

YC-C, YGHC-C, YGHP-C, YGHR-C

Aluminum #8 AWG - 750 kcmil Code Cable

Terminals:

YA-A

Splices:

YS-A, YS-AT, YRB

Aluminum #6 str. - 500 kcmil

Taps:

YFD, YFN, YFO



Specifications:

Output Force:	12 Tons
Tool Weight:	12.0 lbs
Size:	23.00" x 8.75" x 4.00"
Die Style:	U style
Warranty:	5 year limited warranty

Variations:

Catalog Number:	Description:
Y39	Standard tool (rubber covered body and handles)

Accessories:

Catalog Number:	Description:
PT2972:	Metal Carrying Case (included with tool)
Y35/Y39REPKITA:	Seal Repair Kit

Y644HSXT

11-Ton, Dieless Latch Head
Hydraulic Self-Contained, Hand Operated Tool

- 355° head rotation
- Dieless System
- Range taking capabilities
- Only “1” crimp necessary for most standard and long barrel terminals and splices
- Easy inspection; positive identification proved with BURNDY® ‘Bug’ (⊖) embossment after crimp completion

For Use On:

Copper #6 - 1000 kcmil

Terminals:

YA-L, YA-2-LN, YA, YA-FXB, YA-2N, YA-L-2TC, YA-L-FX,

YAB-4N, YA-L-TC, YA-2L, YA-4N, YEV-P-FX, YE-P,

YE-P-FX

Splices:

YS-L, YS, YS-T

Aluminum #6 str. - 900 kcmil

Terminals:

YA-A, YA-A-TN

Splices:

YS-A

HYPLUG™:

AYP, AYPO

See Expanded Range details in Reference Section



Specifications:

Output Force:	11 Tons
Tool Weight:	15.0 lbs
Size:	23.25" x 7.13" x 3.00"
Die Style:	Dieless
Warranty:	5 year limited warranty

Variations:

Catalog Number:	Description:
Y644HSXT	Standard tool

Accessories:

Catalog Number:	Description:
Y644HSCASE:	Plastic carrying case (included with tool)

Y81KFT

6-Ton, 4-POINT® Dieless Latch Head Hydraulic Self-Contained, Hand Operated Tool

- Dieless System
- Range taking capabilities
- Flip top latch head design
- 360° head rotation

For Use On:

Copper #8 -1000 kcmil

Terminals: YA, YA-L

Splices: YS-L, YS, YS-T, Y-R

Copper Flex #8 - 777.7 kcmil Flex (750 Nominal)

Terminals: YA-FX, YAV, YA-L-FX

Splices: YS, YSV-FXB

Aluminum #8 - 750 kcmil

Terminals: YA-A, YA-A-TN

Splices: YS-A

HYPLUG™: AYP, AYPO

See Expanded Range details in Reference Section



Specifications:

Output Force:	6 Tons
Tool Weight:	12.0 lbs
Size:	25.62" x 7.75" x 2.50"
Die Style:	Dieless
Warranty:	5 year limited warranty

Variations:

Catalog Number: Y81KFT	Description: Standard 4-POINT® Dieless Latch Head tool
----------------------------------	--

Accessories:

Catalog Number: PT10050733:	Description: Plastic Carrying Case (included with tool)
---------------------------------------	---

Y4PC834

6-Ton, 4-POINT® Dieless C-Head
Hydraulic Self-Contained, Hand Operated Tool

- 360° head rotation
- Dieless System
- Range taking capabilities
- Handle trigger release

For Use On:

Copper

Terminals: YA, YA-L (#8-1000 kcmil)

Splices: YS-L, YS, YS-T, Y-R (#8-500 kcmil)

Copper Flex

Terminals: YA-FX, YAV, YA-L-FX (#8-777.7 Flex)

Splices: YS, YSV-FXB (#8-500 kcmil)

Aluminum

Terminals: YA-A, YA-A-TN (#8-750 kcmil)

Splices: YS-A (#8-350 kcmil)*

HYPLUG™: AYP, AYPO (#8-750 kcmil)

*Range limited due to jaw opening. For a more expanded range, please see the PAT81KFT.

See Expanded Range details in Reference Section



Specifications:

Output Force:	6 Tons
Tool Weight:	11.9 lbs
Size:	25.62" x 7.75" x 2.50"
Die Style:	Dieless
Warranty:	5 year limited warranty

Variations:

Catalog Number: Y4PC834	Description: Standard 4-POINT® Dieless C-Head tool
-----------------------------------	--

Accessories:

Catalog Number: PT10050733:	Description: Plastic Carrying Case (included with tool)
---------------------------------------	---

Y500CTHS

6-Ton, Latch Head, L'IL CRIMP™
 Hydraulic Self-Contained, Hand Operated Tool

- Permanent functional D3 groove (no die needed)
- Used with W, X, and W-VT style dies
- 180° head rotation
- Enhanced clearance for tap connectors

For Use On:

Copper, Aluminum, ACSR, Steel, Copperweld, Alumoweld, 6201, 5005, Compressed, Compact, Stranded and Solid conductors

Installs Splices, Taps or Terminations:

- #8 - 600 kcmil Copper Str.
- #8 - 350 kcmil Flex
- #8 - 350 kcmil Aluminum



WDC4500 range taking die for #4 - 500 Cu Str. and #2 - 4/0 Cu Flex (sold separately)



WDA8300 range taking die for #8 - 300 Al, #6 - 400 Cu Str. and #2 - 4/0 Cu Flex (sold separately)



Specifications:

Output Force:	6 Tons
Tool Weight:	7.8 lbs
Size:	17.63" x 6.00" x 2.68"
Die Style:	W, W-VT and X styles
Warranty:	5 year limited warranty

Variations:

Catalog Number: Y500CTHS	Description: Standard Latch Head Tool
------------------------------------	---

Accessories:

Catalog Number: WDC4500:	Description: Range taking die for #4 - 500 Cu Str. and #2 - 4/0 Cu Flex
WDA8300:	Range taking die for #8 - 300 Al, #6 - 400 Cu Str. and #2 - 4/0 Cu Flex
PT212851:	Metal Carrying Case (included with tool)

When used with UL Listed/CSA Certified YA, YS, YA-A, and YS-A series terminals and splices, connections are UL/CSA.

Range taking dies also for use on the YAV and YSV series.

Y60LW

60-Ton, Light Weight Remote Latch Head
Single Acting Light Weight Hydraulic Tool

- Remote power operated
- Used with BURNDY L, wide L style dies, and HPS/Fargo-equivalent 60 ton dies
- Base stand and metal carry case (for head only) included
- Side lift handle

For Use On:

Copper 300 - 2000 kcmil Str. Code Cable

Terminals: YA, YA-2N, YA-4N, YA-L, YA-2LN, YA-LB

Splices: YS, YST, YS-L, YS-T, YSP-T

Aluminum 250 - 2000 kcmil Str. Code Cable

Terminals: YA-A

Splices: YS-A, YS-AT

Transmission & Distribution Connectors:

Tension Sleeves:

Copper: 1/0 str. - 1000 kcmil

Aluminum: 1/0 str. - 2300 kcmil

ACSR: 1/0 str. - 2156 (84/19 str.) kcmil

Aerial:

Copper: 4/0 str. - 2500 kcmil

Aluminum: 3/0 str. - 2500 kcmil

Types: YTS, YTN, YNS, YNA, YNT, YNTA, YNU, YDS, YDN, YCS, YCA, YCU



Wide L-dies (sold separately) can be used to save time and labor! Indicator marks on die set for ease of aligning connector properly. **L725W** shown.



Specifications:

Output Force:	60 Tons
Tool Weight:	43.0 lbs
Size:	13.00" x 8.12" x 8.12"
Die Style:	L style (standard or wide style); HPS/Fargo-equivalent 60 ton dies
Operating Pressure:	10,000 PSI
Warranty:	5 year limited warranty

Variations:

Catalog Number:	Description:
Y60LW	Light Weight Remote Latch Head Tool

Accessories:

Catalog Number:	Description:
Y60LWSTAND:	Metal stand for Y60LW (included with tool)
Y60LWCASE:	Steel carry case for Y60LW head (included with tool)

See Gas or Electric Pumps and Hydraulic Hoses; Pump Accessories for other necessary equipment.



Y60LW pictured on Y60LWSTAND (included with tool purchase)

Y46LWSBH

15-Ton, Remote Light Weight C-Head Remote Operated Hydraulic Tool

- 2" jaw opening
- Used with P dies; U dies with PUADP1 adapter (sold separately)
- Positive push button die locks
- Light weight scoop style open head design



For Use On:

Copper - #8 AWG Str. - 1500 kcmil

Code Cable, Navy Cable, Flexible, Extra Flexible
1/2" - 1" Ground Rods

Terminals, grounding:

to 500 kcmil; YGA, YGHA, YGF

Terminals, uninsulated:

#8 - 1500 kcmil; YA, YA-2N, YA-L, YA-LB, YA-TC,
YA-2LN, YAB-4N, YAV-L, YAV-RS, YA-TC-FX

Terminals, insulated:

#8 - 2/0; YAEV-L, YAEV-H, YAEV-RS, YAEV-RH

Splices:

#8 - 1500 kcmil; YS, YS-T, YS-L, YS-LB, YST,
YSP-T, YGS, YGHS

Taps:

#14 - 1000 kcmil; YH, YCHC
to 4/0 AWG; YC-C

Taps, grounding:

to 500 kcmil; YGHC-C, YGHP-C, YGHR-C

Aluminum - #8 AWG - 1250 kcmil

Code Cables

Terminals: YA-A, AYP, AYPO

Splices: YS-A, YS-AT, YRB

Taps: YFD, YFN, YFO, YFR

ACSR - See Overhead Transmission & Distribution
Sections H & I of the current BURNDY® Master
Catalog

Specifications:

Output Force:	15 Tons
Tool Weight:	14.6 lbs
Size:	14.93" x 5.12" x 3.12"
Die Style:	P style and U style with PUADP1 adapter
Operating Pressure:	10,000 PSI
Cycles:	10,000
Warranty:	5 year limited warranty

Variations:

Catalog Number:	Description:
Y46LWSBH	Standard Light Weight C-Head tool
Y46CLWSBH	Permanently molded head of 3/16" rubber included separate molded rubber boot for lower body and hydraulic coupler
Y46CLWSBHF	Y46CLWSBH (covered) tool with female coupler
Y46LWSBHF	Y46LWSBH tool with Female coupler (not rubber covered)

Accessories:

Catalog Number:	Description:
PUADP1:	U die adapter
P15K:	Cutter Die, max. diameter 1.2"
PT10054094:	Carry Bag (included with tool)

*See Hydraulic Pumps and Hydraulic Hoses;
Pump Accessories
for other necessary equipment.*

Y46LWBH

15-Ton, Light Weight Latch Head
Remote Operated Hydraulic Tool

- 2" ram travel
- Used with P dies; U dies with PUADP1 adapter (sold separately)
- Positive push button die locks
- Light weight latch head design

For Use On:

Copper - #8 AWG Str. - 1500 kcmil

Code Cable, Navy Cable, Flexible, Extra Flexible
1/2" - 1" Ground Rods

Terminals, grounding:

to 500 kcmil; YGA, YGHA, YGF

Terminals, uninsulated:

#8 - 1500 kcmil; YA, YA-2N, YA-L, YA-LB, YA-TC,
YA-2LN, YAB-4N, YAV-L, YAV-RS, YA-TC-FX

Terminals, insulated:

#8 - 2/0; YAEV-L, YAEV-H, YAEV-RS, YAEV-RH

Splices:

#8 - 1500 kcmil; YS, YS-T, YS-L, YS-LB, YST,
YSP-T, YGS, YGHS

Taps:

#14 - 1000 kcmil; YH, YCHC
to 4/0 AWG; YC-C

Taps, grounding:

to 500 kcmil; YGHC-C, YGHP-C, YGHR-C

Aluminum - #8 AWG - 1250 kcmil

Code Cables

Terminals: YA-A, AYP, AYPO

Splices: YS-A, YS-AT, YRB

Taps: YFD, YFN, YFO, YFR

ACSR - See Overhead Transmission & Distribution
Sections H & I of the current BURNDY® Master Catalog



Specifications:

Output Force:	15 Tons
Tool Weight:	12.5 lbs
Size:	15.50" x 5.12" x 3.12"
Die Style:	P style and U style with PUADP1 adapter
Operating Pressure:	10,000 PSI
Cycles:	10,000
Warranty:	5 year limited warranty

Variations:

Catalog Number:	Description:
Y46LWBH	Standard tool, Light Weight Latch Head
Y46LWBHF	Y46LWBH tool with Female coupler (not rubber covered)

Accessories:

Catalog Number:	Description:
PUADP1:	U die adapter
P15K:	Cutter Die, max. diameter 1.2"
PT10054094:	Carry Bag (included with tool)

*See Hydraulic Pumps and Hydraulic Hoses;
Pump Accessories
for other necessary equipment.*

Y45

15-Ton, Remote C-Head Remote Operated Hydraulic Tool

- Lifting eye
- Fully protected ram and die buttons
- Used with S dies; U dies with PT6515 adapter (sold separately)

For Use On:

Tension Sleeves:

- Copper #8 sol. - 500 kcmil
- Aluminum #6 sol. - 954 kcmil
- ACSR #4 - 795 (26/7) kcmil

Taps:

- Aluminum #14 - 954 (18/1) kcmil
- ACSR #6 - 795 (54/7) kcmil

Aerial Cable Connectors:

- Copper #6 str. - 1500 kcmil
- Aluminum #4 str. - 1000 kcmil

HYGROUND® Compression Grounding:

- Copper #6 - 500 kcmil
- 1/2" - 1" ground rods

Code Cable Terminals/Splices:

- Copper #8 - 1500 kcmil
- Aluminum #8 - 1000 kcmil

Code Cable Taps:

- Copper #14 - 1000 kcmil
- Aluminum #14 - 900 kcmil



Specifications:

Output Force:	15 Tons
Tool Weight:	15.75 lbs
Size:	14.25" x 7.25" x 2.62"
Die Style:	S style and U style with PT6515 adapter
Operating Pressure:	10,000 PSI
Cycles:	10,000
Warranty:	5 year limited warranty

Variations:

Catalog Number:	Description:
Y45	Standard Remote C-Head

Accessories:

Catalog Number:	Description:
PT6515:	Adapter for use with U die sets
PT6545:	Die carrying case for S and/or P die type dies. Holds eight (8) die sets. Dies sold separately.
433206016010:	Carry Case (included with tool)

See Hydraulic Pumps and Hydraulic Hoses;
Pump Accessories
for other necessary equipment.

Y750BHXT

12-Ton, Remote C-Head
Remote Operated Hydraulic Tool

- 1.65" jaw opening
- 355° head rotation
- Used with U style dies
- Exposed positive die lock buttons

For Use On:

Tension Sleeves

Copper	#8 sol. - 500 kcmil
Aluminum	#8 sol. - 587.2 kcmil
ACSR	#4 - 556.5 kcmil

Taps

Copper	#14 sol. - 500 kcmil
Aluminum	#8 - 500 kcmil

Aerial Cable

Copper	#6 - 500 kcmil
--------	----------------

Terminals & Splices

Copper	#8 - 750 kcmil
Aluminum	#8 - 750 kcmil
ACSR	#4 - 556 kcmil

HYGROUND® (Compression Grounding)

Copper	#8 - 500 kcmil
Ground Rods	1/2" - 1" diameter

Variations:

Catalog Number: Description:

Y750BHXT	Standard Remote C-Head tool
Y750CBHXT	Y750BHXT with molded rubber covering on head, body and hose fittings



Specifications:

Output Force:	12 Tons
Tool Weight:	10.3 lbs
Size:	12.88" x 5.25" x 3.12"
Die Style:	U style
Jaw Opening:	1.65"
Operating Pressure:	10,000 PSI
Warranty:	5 year limited warranty

Accessories:

Catalog Number:	Description:
PT294021:	Adjustable head grip for joining head to universal hot sticks
PT29291:	Steel die case for storage and protection of U dies
PT10054094:	Canvas carry bag (included with tool)

*See Hydraulic Pumps and Hydraulic Hoses;
Pump Accessories
for other necessary equipment.*

Y35BH

12-Ton, Remote C-Head Remote Operated Hydraulic Tool

- Lifting eye
- .95" jaw opening
- Uses U style dies
- Positive die lock buttons

For Use On:

Copper #8 str. - 500 kcmil code cable

Grounding Terminals:

YGH, YGHA, YGF

Grounding Splices:

YGS, YGHS

Copper #8 str. - 500 kcmil and up to 3/4" ground rod

Grounding Taps:

YGHC-C, YGHP-C, YGHR-C

Copper #8 str. - 750 kcmil code cable, N30 - N500 Navy cable, flexible, and extra flex

Terminals (Bare):

YA, YA-2N, YA-L, YA-LB, YA-2LN

Terminals (Insulated):

YAEV-L, YAEV-H, YAEV-RS, YAEV-RH

Splices to 400 kcmil only:

YS, YS-T, YS-L, YS-LB, YSV-L, YSM

Aluminum #8 str. - 750 kcmil code cable

Terminals:

YA-A, AYP, AYPO

Splices to 350 kcmil only:

YSA, YRB, YS-AT

ACSR: See Overhead Transmission & Distribution Sections H & I of the current BURNDY® Master Catalog



Specifications:

Output Force:	12 Tons
Tool Weight:	8.0 lbs
Size:	9.25" x 4.75" x 2.62"
Die Style:	U style
Jaw Opening:	.95"
Operating Pressure:	10,000 PSI
Cycles:	10,000
Warranty:	5 year limited warranty

Variations:

Catalog Number:	Description:
Y35BH	Standard Remote C-Head
Y35H	Y35BH head, PT294021 universal hot stick adapter, and steel carrying case
Y35B	Y35BH head, PT91 steel reinforced hydraulic hose, and an FP10 foot pump in a steel carrying case
Y35BH4	Permanent molded rubber head, 3/16" rubber for tool impact protection

Accessories:

Catalog Number:	Description:
PT2972:	Carry Case (included with tool)

*See Hydraulic Pumps and Hydraulic Hoses;
Pump Accessories
for other necessary equipment.*

Y39BH

12-Ton, Remote Latch Head
Remote Operated Hydraulic Tool

- Used with U style dies
- Positive push button die locks

For Use On:

Copper #6 AWG - 750 kcmil str. Code Cable
N30 - N650 Navy Cable, Flexible, and Extra Flexible
Terminals (Bare):

YA, YA-L, YA-LB, YGH, YGHA

Splices and Tees (Bare):

YS, YS-L, YS-LB, YS-T, YSP-T, YST

Copper AN or AIR #6 AWG - 4/0 str. Code Cable
AN6 - AN4/0 Aircraft Cable, Flexible, and Extra Flexible
Terminals (Bare):

YAV-L, YAV-RS

Splices (Bare):

YSV-L

Copper #8 AWG - 2/0 str. Code Cable
AN8 - AN2/0 Aircraft Cable, Flexible, and Extra Flexible
Terminals (Insulated):

YAEV-L, YAEV-RS, YAEV-RH

Copper #12 AWG sol. - 250 kcmil

Taps:

YC-C, YGHC-C, YGHP-C, YGHR-C, YH, YCHC

Aluminum #8 AWG - 750 kcmil Code Cable

Terminals:

YA-A

Splices:

YS-A, YS-AT, YRB

Aluminum #6 str. - 500 kcmil

Taps:

YFD, YFN, YFO



Specifications:

Output Force:	12 Tons
Tool Weight:	6.5 lbs
Size:	9.12" x 3.12" x 3.12"
Die Style:	U style
Operating Pressure:	10,000 PSI
Warranty:	5 year limited warranty

Variations:

Catalog Number:	Description:
Y39BH	Standard Remote Latch Head tool

Accessories:

Catalog Number:	Description:
PT2972:	Carry Case (included with tool)

*See Hydraulic Pumps and Hydraulic Hoses;
Pump Accessories
for other necessary equipment.*

Y644MBH

11-Ton, Dieless Remote Head Remote Operated Hydraulic Tool

- Dieless System
- Latch head design
- Range taking capabilities
- Infinitely rotatable head

For Use On:

Copper #6 - 1000 kcmil

Terminals:

YA-L, YA-2-LN, YA, YA-2N, YA-L-2TC, YAB-4N,
YA-L-TC, YA-2L, YA-4N

Splices:

YS-L, YS, YS-T

Aluminum #6 str. - 1000 kcmil

Terminals:

YA-A, YA-A-TN

Splices:

YS-A

HYPLUG™:

AYP, AYPO

See Expanded Range details in Reference Section

Variations:

Catalog Number: Description:

Y644MBH Standard Dieless Remote Latch Head



Specifications:

Output Force:	11 Tons
Tool Weight:	9.5 lbs
Size:	12.00" x 4.00" x 3.12"
Die Style:	Dieless
Operating Pressure:	10,000 PSI
Warranty:	5 year limited warranty

Accessories:

Catalog Number:	Description:
PT20719001	Steel Carry Case (included with tool)

*See Hydraulic Pumps and Hydraulic Hoses;
Pump Accessories
for other necessary equipment.*

Y81KFTMBH

6-Ton, 4-POINT® Dieless Head
Remote Operated Hydraulic Tool

- Dieless installation system
- Range taking capabilities
- Flip top design
- Incorporates Parker-type quick connect 3/8" male coupler
- 360° head rotation

For Use On:

Copper #8 -1000 kcmil

Terminals: YA, YA-L

Splices: YS, YS-L, YS-T, Y-R

Copper Flex #8 - 777.7 kcmil Flex (750 Nominal)

Terminals: YA-FX, YAV, YA-L-FX

Splices: YS, YSV-FXB

Aluminum #8 - 750 kcmil

Terminals: YA-A, YA-A-TN

Splices: YS-A

HYPLUG™: AYP, AYPO

See Expanded Range details in Reference Section

Variations:

Catalog Number: **Description:**

Y81KFTMBH Standard 4-POINT® Dieless Remote tool



Specifications:

Output Force:	6 Tons
Tool Weight:	8.5 lbs
Size:	13.88" x 5.38" x 2.00"
Die Style:	Dieless
Operating Pressure:	10,000 PSI
Warranty:	5 year limited warranty

Accessories:

Catalog Number:	Description:
PT10054094:	Canvas carry bag (included with tool)

*See Hydraulic Pumps and Hydraulic Hoses;
Pump Accessories
for other necessary equipment.*

Y4PC834MBH

6-Ton, 4-POINT®, Dieless Head Remote Operated Hydraulic Tool

- Dieless System
- Range taking capabilities
- C-shaped head design
- 360° head rotation

For Use On:

Copper

Terminals: YA, YA-L (#8-1000 kcmil)

Splices: YS-L, YS, YS-T, Y-R (#8-500 kcmil)

Copper Flex

Terminals: YA-FX, YAV, YA-L-FX (#8-777.7 Flex)

Splices: YS, YSV-FXB (#8-500 kcmil)

Aluminum

Terminals: YA-A, YA-A-TN (#8-750 kcmil)

Splices: YS-A (#8-350 kcmil)*

HYPLUG™: AYP, AYPO (#8-750 kcmil)

*Range limited due to jaw opening. For a more expanded range, please see the Y81KFTMBH.

See Expanded Range details in Reference Section



Specifications:

Output Force:	6 Tons
Tool Weight:	8.4 lbs
Size:	5.50" x 4.00" x 2.00"
Die Style:	Dieless
Operating Pressure:	10,000 PSI
Warranty:	5 year limited warranty

Variations:

Catalog Number: **Description:**

Y4PC834MBH Standard 4-POINT® Dieless Remote C-Head

Accessories:

Catalog Number: **Description:**

PT10054094: Canvas carry bag (included with tool)

*See Hydraulic Pumps and Hydraulic Hoses;
Pump Accessories
for other necessary equipment.*

Y34BH

9-Ton, Remote C-Head
Remote Operated Hydraulic Tool

- Molded rubber covering on head, body, and hose fittings
- Fast ram retraction
- Compact C-shaped forged head

For Use On:

Copper #4 - 500 kcmil code cable
Welding Cable: 350 kcmil
N40 to N500 Navy Cable
Flexible and Extra Flexible
#4 - 4/0 Aircraft Cable

HYLUG™ Terminals (Bare)
HYLINK™ Splices (Bare)

HYCRAB™ BURNDY® Network Connector System
Copper: #4 - 500 kcmil str.
Aluminum: #6 - 300 kcmil

Installation Die Charts for Y34BH

Copper Conductor		
Installation Die		Max. Conductor
Nest	Indenter	
B4CD	Y34PR	#4 Str.
B2CD	Y34PR	#2 Str.
B1CD	Y34PR	#1 Str.
B25D	Y34PR	1/0 Str.
B26D	Y34PR	2/0 Str.
B27D	Y34PR	3/0 Str.
B28D	Y34PR	4/0 Str.
B29D	Y34PR	250 kcmil
B30D	Y34PR	300 kcmil
B31D	Y34PR	350 kcmil
No Die Req'd	Y34PR	500 kcmil



Specifications:

Output Force: 9 Tons
Tool Weight: 8.0 lbs
Size: 16.75" x 3.00" x 3.00"
Die Style: B style nest & Y34 series indenter dies
Jaw Opening: 1.5"
Operating Pressure: 10,000 PSI
Warranty: 5 year limited warranty

Variations:

Catalog Number: **Description:**
Y34BH 9-Ton Remote C-Head
Y34BH1 Y34BH with 10' non-conductive hose attached at factory

*See Hydraulic Pumps and Hydraulic Hoses;
Pump Accessories for other necessary equipment.*

Aluminum Conductor		
Installation Die		Max. Conductor
Nest	Indenter	
B4CD	Y34PA	#6 Str.
B1CD	Y34PA	#4 Str.
B25D	Y34PA	#2 Str.
B26D	Y34PR5	#1 Str.
B27D	Y34PR5	1/0 Str.
B29D	Y34PR5	2/0 Str.
B30D	Y34PR5	3/0 Str.
B31D	Y34PR5	4/0 Str.
B32D	Y34PR5	250 kcmil
No Die Req'd	Y34PR11	300 kcmil

Y29BH

4.5-Ton, 6,000 PSI Remote Head
 Remote Operated Hydraulic Tool

- D series nest dies and Y29 series indenter dies
- Light weight, portable design
- C-shaped head; 1.2" jaw opening
- Easy placement/removal on continuous conductor lengths

For Use On:

Copper #8 - 2/0 AWG Code/Flex

Nylon Insulated Lugs:

(Connectors meet MIL-T-7928 requirements)
 YAEV-L, YAEV-H, YAEV-RS, YAEV-RH

Non-Insulated Lugs:

(Connectors meet MIL-T-7928 requirements)
 YAV-L, YAV-R, YAV-RS

Copper #8 - 4/0 AWG

Non-Insulated Splices:

(Type YSV-L connectors UL Listed/CSA Certified)
 YSM, YSV-L

Installation Die Chart for Y29BH
 (Connectors meet MIL-T-7928 requirements)

Non-Insulated Connectors		Maximum Conductor	Insulated Connectors	
Nest	Indenter	Size	Nest	Indenter
DV8L1	Y29PL	#8 AWG	DEV8L	Y29PLE1
DV6L	Y29PL	#6 AWG	DEV6L	Y29PLE1
DV4L	Y29PL	#4 AWG	DEV4L	Y29PLE1
DV2L	Y29PL	#2 AWG	DEV2L	Y29PLE
DV1L	Y29PL	#1 AWG	DEV1L	Y29PLE
DV25L	Y29PL	1/0 AWG	DEV25L	Y29PLE
DV26L	Y29PL	2/0 AWG	DEV26L	Y29PLE



Specifications:

Output Force:	4.5 Tons
Tool Weight:	5.0 lbs
Size:	10.75" x 3.00" x 1.25"
Die Style:	D style nest & Y29 series indenter dies
Jaw Opening:	1.15"
Operating Pressure:	6,000 PSI
Warranty:	5 year limited warranty

Variations:

Catalog Number:	Description:
Y29BH	4.5-Ton, 6,000 PSI Remote Head

Accessories:

*See Hydraulic Pumps and Hydraulic Hoses;
 Pump Accessories
 for other necessary equipment.*



PT30250 metal carrying case (included with tool)

Plier Hand Tools

Y10D for Nylon & Bare

Hand-held plier tool for #22 - #10 AWG

- One tool for both nylon insulated and bare connectors
- Precision machined wire cutter for aluminum and copper
- Heavy duty forged steel, rust resistant finish

Y1022 for Nylon, Vinyl & Bare

Hand-held plier tool for #22 - #10 AWG

- One step stripping #22 - #10 AWG
- Cuts common size mild steel, non-ferrous screws
- Crimps full range of Nylon, Vinyl and Bare terminals and splices

For Use On:

Y10D:

#22 - #10 AWG Nylon Insulated Terminals

Types: TN, TN-F, YAE-N, YAE-N-F, YAE-Z, YAEV, YAES, YAES-E

#22 - #10 AWG Nylon Insulated Splices

Types: SN, YSE-HN*, SNM, YSES, YSE-H*

#22 - #10 AWG Bare Uninsulated Terminals

Types: T, YAD, T-F, YAD-F, YAV, YAV-T-F, YAV-H*, YAV-H-F*, YAV-Z

#22 - #10 AWG Bare Uninsulated Splices

Types: YSV, YSV-H*

Y1022 all of above and also:

#22 - #10 AWG Vinyl Insulated Terminals

Types: TP, BA, TP-F, BA-EF, TP-Z, BA-EZ

#22 - #10 AWG Vinyl Insulated Splices

Types: SP, BS

*Conductor crimp only



Specifications: (Catalog Number: Y10D)

Size:	9.75" x 5.00" x 1.00"
Weight:	13.5 oz.
Warranty:	5 year limited warranty



Specifications: (Catalog Number: Y1022)

Size:	8.63" x 5.00" x .75"
Weight:	11 oz.
Warranty:	5 year limited warranty

YF2210FL

Dieless, Front Load, for Ferrules

Full cycle ratchet tool for insulated/bare ferrules

- Front load crimping position
- Dieless crimping without multiple grooves
- Full cycle ratchet mechanism
- Ratchet release lever



For Use On:

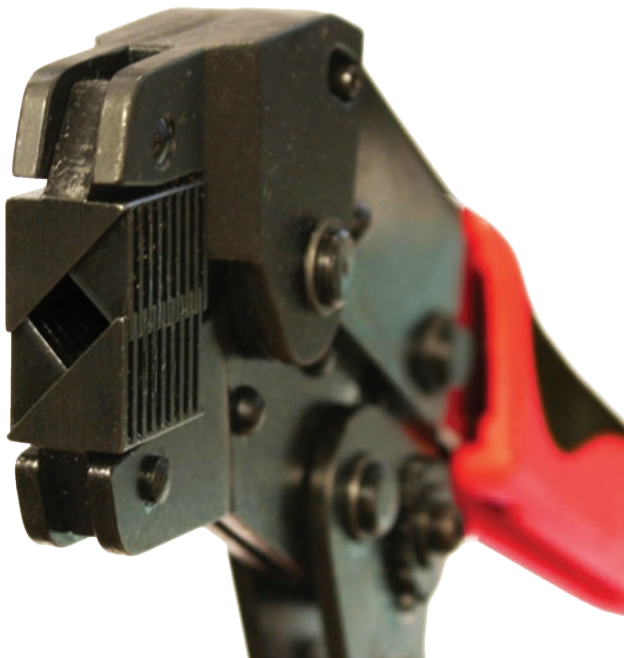
Catalog Number: YF2210FL

#22 - #10 AWG Insulated and Uninsulated (Bare) Ferrules

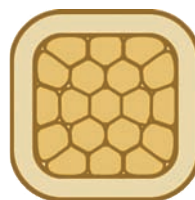
Types: YF, YF-UI Wire End Ferrules

Specifications:

Size:	7.75" x 2.38 x 1.00"
Die Style:	Dieless
Weight:	.8 lbs
Output Force:	1,600 lbs
Warranty:	5 year limited warranty



Close up of YF2210FL front load ratchet tool



Crimp Profile

YFTOOL Series

Ratchet Tools for Ferrules

Tools covering from #32 AWG to 250 kcmil

- Release mechanism
- Low handle force
- Ergonomic handle design
- Trapezoidal crimp profile unless noted
- For use on insulated or uninsulated ferrules

For Use On:

#32 - #6 AWG Insulated and Uninsulated (Bare) Ferrules
Tool: **YF3206TOOL** (Square crimp profile)

#26 - #10 AWG Insulated and Uninsulated (Bare) Ferrules
Tool: **YF2610TOOL**

#22 - #14 AWG Insulated and Uninsulated (Bare) Ferrules
Tool: **YF2214TOOL**

#22 - #10 AWG Insulated and Uninsulated (Bare) Ferrules
Tool: **YF2210TOOL**

#10 - #6 AWG Insulated and Uninsulated (Bare) Ferrules
Tool: **YF1006TOOL**

#8 - #1 AWG Insulated and Uninsulated (Bare) Ferrules
Tool: **YF0801TOOL**

#4 - #1 AWG Insulated and Uninsulated (Bare) Ferrules
Tool: **YF0401TOOL**

#1/0 - #3/0 kcmil Insulated and Uninsulated (Bare) Ferrules
Tool: **YF1/03/0TOOL**

#4/0 - #250 kcmil Insulated and Uninsulated (Bare) Ferrules
Tool: **YF4/0250TOOL**



Specifications:

Length:	Varies
Weight:	Varies from 1.02 to 1.80 lbs
Warranty:	2 year limited warranty

Y8MRB1

Full Cycle Ratchet Tool

Hand-held ratchet tool for #22 - 8 AWG

- Light weight
- Each indenter has unique identifying marks for inspectability
- Fully enclosed, protected ratchet mechanism does not allow the handles to be opened until full ratchet cycle is completed
- Inspection gauges (sold separately) available to check each groove

For Use On:

Catalog Number: Y8MRB1

#22 - 8 AWG Uninsulated (Bare) Terminals:

Types: T, YAD, T-F, YAD-F, YAV, YAV-L, YAV-T-F, YAV-Z

#22 - 8 AWG Uninsulated (Bare) Splices:

Types: YSV, YSV-L



Specifications:

Weight:	1.2 lbs
Size:	10.56" x 3.50" x 1.12"
Die Style:	Permanent Dies
Warranty:	5 year limited warranty

Accessories:

Catalog Number:	Description:
PG3951	Inspection gauge for #18 groove
PG3961	Inspection gauge for #14 groove
PG3971	Inspection gauge for #10 groove
PG3981	Inspection gauge for #8 groove

MR8 Series

Fully Protected Ratchet Mechanism
Full cycle ratchet tools for critical applications

- Fully enclosed, protected ratchet mechanism does not allow the handles to be opened until full ratchet cycle is completed
- Designed for critical applications such as nuclear-class 1E terminations, heavy duty industrial, aircraft
- Lightweight aluminum
- Easy groove identification with color-coded dies

For Use On:

Catalog Number:	Description:
MR81A:	#22 - #10 AN Copper Cable INSULUG™ terminals/splices YAE
MR89Q:	#18 - #8 AN Copper Cable #22 - #10 AWG Sol. Cable #22 - #8 AWG Str. Cable YAV, YSV, T, T-F, YAD, YAD-F
MR833S1, MR833T1:	#18 - #10 MIL-W-5086 Str. YSE, YSE-H
MR8G96:	#22 - #14 TP, BA
MR8G98:	#22 - #10 YAV, T, YAD



Specifications:

Size:	10.50" x 3.50" x 1.50"
Weight:	1.5 lbs
Die Style:	Permanent Dies
Warranty:	5 year limited warranty

Y10MRSA1

Ergonomic Full Cycle Ratchet

Hand-held tool using J-dies for #22 - #10 AWG

- Compact, narrow nose with scissor action
- Uses J-style die inserts (sold separately)
- High-strength steel frame, rubber covered comfort handles
- Ergonomic design requires less handle force

Catalog Number Y10MRSA1 For Use On:

with J1022NC1 die (sold separately):
#22 - #10 AWG Nylon Insulated Terminals/Splices
Types: YAE, YAE-N, YAE-N-F, YAE-Z

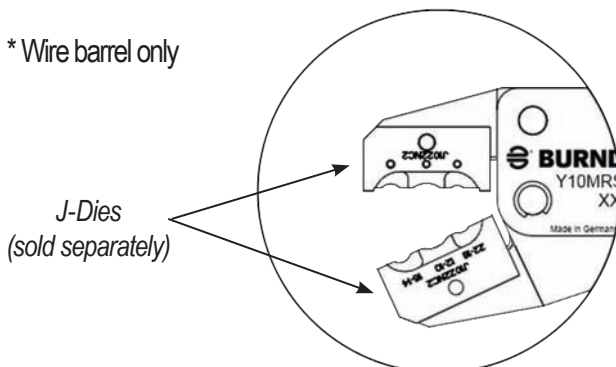
with J1022NC2 die (sold separately):
#22 - #10 AWG Nylon Insulated Terminals/Splices
Types: YAEV, YAEV-L, YAEV-H, YAEV-RH, YAEV-RS

with J1022NC3 die (sold separately):
#22 - #10 AWG Nylon Insulated Terminals/Splices
Types: TN, YAES, TN-F, YAES-F, SN, YSE-HN

with J1022NC4 die (sold separately):
#22 - #10 AWG Vinyl Insulated Terminals/Splices
Types: TP, BA, TP-F, BA-EF, TP-Z, BA-EZ, TP-LF, BA-EL,
SP, BS

with J1022NC5 die (sold separately):
#22 - #10 AWG Uninsulated (Bare) Terminals/Splices*
Types: T, YAD, T-F, YAD-F, YAV, YAV-L, YAV-H, YAV-R,
YAV-RS, YAV-T-F, YAV-H-F, YAV-Z, YSV, YSV-H, YSV-L

* Wire barrel only



Specifications:

Size:	10.75" x 3.12" x 1.88"
Die Style:	J style
Weight:	1.3 lbs
Warranty:	5 year limited warranty

Accessories:

Catalog Number:	Description:
J1022NC1:	J die set see detail under For Use On section
J1022NC2:	J die set see detail under For Use On section
J1022NC3:	J die set see detail under For Use On section
J1022NC4:	J die set see detail under For Use On section
J1022NC5:	J die set see detail under For Use On section

MRE1022 Series

Ergonomic Full Cycle Ratchet

Hand-held tools for #22 - #10 AWG Nylon/Vinyl & Bare

- Ratchet mechanism does not allow handles to open until full cycle is complete
- Stop plate ensures proper location for consistent reliable connection
- Die Inspection Gauges available (sold separately)
- Easy groove identification with color coded dies
- Ratchet release lever in case of misalignment

For Use On:

Catalog Number: MRE1022B

#22 - #10 AWG Uninsulated (Bare) Terminals/Splices

Types: T, YAD, T-F, YAD-F, YAV, YAV-H, YAV-R, YAV-T-F, YAV-H-F, YAV-Z, YSV, YSV-H

Catalog Number: MRE1022NV

#22 - #10 AWG Nylon & Vinyl Insulated Terminal/Splices

Types: TP, BA, TP-F, BA-EF, TP-Z, BA-EZ, TP-LF, BA-EL, SP, BS, TN, YAES, TN-F, YAES-F, SNM*, YSES*, YAE-N, YAE-N-F, YAE-Z, YSE-HN, YSE-H, YAEV

*Excludes #10 size

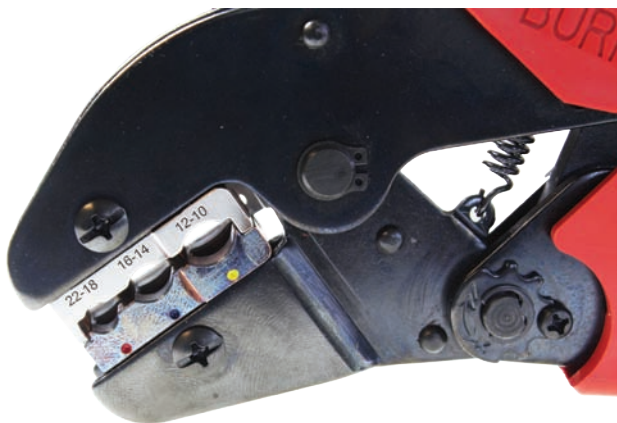


Specifications:

Weight:	1.3 lbs
Size:	10.50" x 3.00" x 1.00"
Width:	3"
Die Style:	Permanent Dies
Warranty:	5 year limited warranty

Accessories:

Catalog Number:	Description:
PG4032R:	Die Inspection Gauge for #22 - #14 AWG for MRE1022B
PG4031R:	Die Inspection Gauge for #12 - #10 AWG for MRE1022B
PG4061:	Die Inspection Gauge for #22 - #18 AWG (Red) for MRE1022NV
PG4071:	Die Inspection Gauge for #16 - #14 AWG (Blue) for MRE1022NV
PG4081:	Die Inspection Gauge for #12 - #10 AWG (Yellow) for MRE1022NV



Close-up
MRE1022NV

MR Series

Full Cycle Ratchet

Hand-held tools for #22 - #10 AWG

- Ratchet mechanism does not allow handles to open until full cycle is complete
- Easy groove identification with color coded dies
- Compact, narrow nose
- Comfort grip handles
- Ratchet release lever in case of misalignment

For Use On:

Catalog Number: MR15

#22 - #10 AWG Vinyl Insulated Terminals/Splices

Types: TP, BA, TP-F, BA-EF, TP-Z, BA-EZ, TP-LF, BA-EL, SP, BS

Catalog Number: MR18

#22 - #10 AWG Nylon Insulated Terminals/Splices

Types: TN**, TN-F, YAES, YAES-F, SN, SNM, YSE-HN, YSES

Catalog Number: MR20

#22 - #10 AWG Uninsulated (Bare) Terminals/Splices

Types: T, YAD-F, T-F, YAV-H*, YAV, YAV-H-F*, YAD, YAV-T-F, YSV, YSV-H*

*Conductor crimps only

**Excludes #10 Size



Specifications:

Size:	8.88" x 6.00" x 2.50"
Weight:	1.1 lbs
Warranty:	5 year limited warranty

Accessories:

Catalog Number:	Description:
MR15DIESETD1:	MR15 interchangeable die set
MR18DIESETD1:	MR18 interchangeable die set
MR20DIESETD1:	MR20 interchangeable die set

MR4C

Full Cycle Ratchet

Hand-held tool for #9 - #4 AWG Bare Terminals/ Splices

- Reinforced heavy duty back with high strength aluminum body
- Fully protected ratchet mechanism does not allow handles to open until full cycle is completed
- Inspection gauges available to check each groove (sold separately)
- Spring loaded indenter jaw, keeps jaws closed

Catalog Number: MR4C

For Use On:

#9 - #4 AWG Uninsulated (Bare) Terminals/Splices

Types: YAV-L, YA-L, YSV, YS-L



Specifications:

Length:	11.75" x 3.62" x 1.00"
Weight:	2.3 lbs
Die Style:	Permanent Dies
Warranty:	5 year limited warranty

Accessories:

Catalog Number:	Description:
PG1211:	Die Inspection Gauge for #9 - #8 AWG groove
PG1251:	Die Inspection Gauge for #6 AWG groove
PG1331:	Die Inspection Gauge for #4 AWG groove

Y1MRTC

Rotating Die Full Cycle Ratchet

For #8 - #1 Copper HYDENT™ Terminals, Splices,
 #6 - #6 Thin-Wall C-Taps

- Die index embossment
- Rotating die with color coding to match connectors
- Ratchet mechanism with release in case of misalignment



For Use On:

See charts for details

#8 - #1 AWG Uninsulated (Bare) Terminals and Splices

Types: YA, YAV, YS, YSV

Thin Wall C-Taps:

YC10L12, YC8L12, YC6L12, YC4L12

Specifications:

Size: 9.88" x .75" x 2.75"
Weight: 1.7 lbs
Die Style: Rotating Die Wheel
Warranty: 5 year limited warranty

Copper Terminals & Splices				
Copper Wire Size	Connector Catalog Types	Die Index # (Color)	# Crimps per Barrel Length	
			Std	Long
#8 AWG Code & Flex	YA8C- YS8C- YAV8C- YSV8C-	49 (Red)	1	2
#6 AWG Code	YA6C- YS6C-	7 (Blue)	1	2
#6 AWG Code & Flex	YAV6C- YSV6C-			
#4 AWG Code	YA4C- YS4C-	8 (Grey)	2	4
#4 AWG Code & Flex	YAV4C- YSV4C-			
#3 AWG #2 Sol.	YA3C- YS3C-	9 (White)	2	4
#2 AWG Code	YA2C- YS2C-	10 (Brown)**	2	4
# 2 AWG Code & Flex	YAV2C- YSV2C-			
#1 AWG Code	YA1C- YS1C-	11 (Green)**	2	4

Copper C-Tap Connectors				
Catalog Number	Wire Size Cu Str. AWG		Die Index # (Color)	# of Crimps
	Run	Tap		
YC10L12	14	16-14	49 (Red)	1
	12	16-14		
	10	16		
YC8L12	10	10	7 (Blue)	1
	8	12		
YC6L12	8	10-8	8 (Grey)	1
	6	12-10		
YC4L12	6	8-6	10 (Brown)	2
	5, 4	12-8		

Variations:

Catalog Number: Y1MRTC
Description: Standard tool only

Catalog Number: Y1MRKIT
Description: Y1MRTC tool, sturdy metal carrying case and select terminals/splices

Catalog Number: Y1MRTCKIT
Description: Y1MRTC tool, sturdy metal carrying case, selected terminals and YC4L12 Thin-Wall C-Tap

**Die Index 10/Brown and 11/Green use the same die wheel crimp groove.

Y122CMR

Ergonomic Full Cycle

For #12 - #2 AWG Stranded, Solid, and Flex

- Overmolded comfort grip handles
- Easy groove identification with color coded dies
- UL Listed/CSA Certified connections when used with recommended BURNDY terminals/splices
- Die index embossment for all 6 wire ranges
- Emergency release mechanism in case of misalignment or mistaken die choice
- Two different kits are also available with a selection of connectors in a sturdy metal carrying case (Y122CMRKIT and Y122CMRCIKIT)



Accommodates Copper Terminals and Splices				
Copper Wire Size	Connector Catalog Types	Die Index # (Color Code)	Number of Crimps	
			Standard Barrel	Long Barrel
#10 - #12 AWG Sol. & Str.	T10-, YAD10-, YAV10, YAZ10, YAZV10-	-- (Yellow)	1	N/A
#8 AWG Code & Flex	YA8C-, YAV8C-, YAZ8C-, YAZV8C-, YS8C, YSV8C-	49 (Red)	1	2
#6 AWG Code	YA6C-, YAZ6C, YS6C-	7 (Blue)	1	2
#6 AWG Code & Flex	YAV6C-, YAZV6C-, YSV6C-			
#4 AWG Code	YA4C-, YAZ4C-, YS4C-	8 (Gray)	2	4
#4 AWG Code & Flex	YAV4C-, YAZV4C-, YSV4C-			
#3 AWG Code & #2 AWG Sol	YA3C-, YS3C	9 (White)	2	4
#2 AWG Code	YA2C-, YAZ2C-, YS2C-	10 (Brown)	2	4
#2 AWG Code & Flex	YAV2C-, YAZV2C-, YSV2C-			

Specifications:

Catalog Number: Y122CMR
Size: 10.50" x 3.00" x 1.00"
Weight: 1.3 lbs
Die Style: Rotating Die Wheel
Warranty: 5 year limited warranty

Copper C-Tap Connectors				
Catalog Number	Wire Size Cu Str. AWG		Die Index # (Color)	# of Crimps
	Run	Tap		
YC10L12	14	16-14	49 (Red)	1
	12	16-14		
	10	16		
YC8L12	10	10	7 (Blue)	1
	8	12		
YC6L12	8	10-8	8 (Grey)	1
	6	12-10		
YC4L12	6	8-6	10 (Brown)	2
	5, 4	12-8		

Accessories:

Die Inspection Gages are available and sold separately. See table to the right for information.

Gage Catalog Number	AWG Size	Die Index	Color Code
PG4091	#10 - #12	--	Yellow
PG4092	#8	49	Red
PG4093	#6	7	Blue
PG4094	#4	8	Gray
PG4095	#3	9	White
PG4096	#2	10	Brown

N-49

Y122CMR Kits

Y122CMR Tool with select connectors For #12 - #2 AWG Stranded, Solid, and Flex

- Overmolded comfort grip handles
- Easy groove identification with color coded dies
- UL Listed/CSA Certified connections when used with recommended BURNDY terminals/splices
- Die index embossment for all 6 wire ranges
- Two kits available that include popular connectors in a sturdy metal carrying case
- **Y122CMRKIT** offers select LONG barrel connectors
- **Y122CMRCIKIT** offers select STANDARD barrel connectors



Y122CMRKIT shown

Y122CMRKIT Contents: (all connectors are LONG Barrel)		
Catalog Number	Description	Qty
Y122CMR	HYTOOL™ Full Cycle Ratchet Tool	1
Y1MRKITCASE	Metal Case for Tool and Connectors	1
YAV102TC14	#10 Sol & Str, 1/4" Stud, 2 Holes	15
YAZV10TC14	#10 Sol & Str, 1/4" Stud, 1 Hole	15
YAZV102TC14	#10 AWG, 1/4" Stud, 2 Holes	15
YAZ8CTC14	#8 AWG, 1/4" Stud, 1 Hole	15
YAZ8C2TC38	#8 AWG, 3/8" Stud, 2 Holes	15
YAZ6CTC14	#6 AWG, 1/4" Stud, 1 Hole	15
YAZ6C2TC38SL	#6 AWG, 3/8" Stud, 2 Slotted Holes	15
YAZ6C2TC14	#6 AWG, 1/4" Stud, 2 Holes	15
YAZV6C2TC14FX	#6 Code & Flex, 1/4" Stud, 2 Holes	15
YAZ6C2TC38	#6 AWG, 3/8" Stud, 2 Holes	15
YAZ4C2TC38	#4 AWG, 3/8" Stud, 2 Holes	15
YAZ3C2TC14	#3 AWG, 1/4" Stud, 2 Holes	15
YAZ3C2TC38SL	#3 AWG, 3/8" Stud, 2 Slotted Holes	15
YAZ2C2TC38	#2 AWG, 3/8" Stud, 2 Holes	15
YAZ2C2TC38SL	#2 AWG, 3/8" Stud, 2 Slotted Holes	15
YAZV2C2TC14FX	#2 Code & Flex, 1/4" Stud, 2 Holes	15
Y122MRSOMI	Safety Operating & Maintenance Instructions	1

Specifications:

Size: 18.00" x 7.50" x 2.00"
Weight: 13.7 lbs
Die Style: Rotating Die Wheel
Warranty: 5 year limited warranty

Y122CMRCIKIT Contents: (all connectors are STANDARD Barrel)		
Catalog Number	Description	Qty
Y122CMR	HYTOOL™ Full Cycle Ratchet Tool	1
Y1MRKITCASE	Metal Case for Tool and Connectors	1
YAV10T3	#10 Sol & Str, 1/4" Stud, 1 Hole	15
YA8CL	#8 AWG, #10 Stud, 1 Hole	15
YA8CL1	#8 AWG, 1/4" Stud, 1 Hole	15
YA6CL	#6 AWG, 1/4" Stud, 1 Hole	15
YAV6CLTC14FX	#6 AWG & Flex, 1/4" Stud, 1 Hole	15
YA4CL	#4 AWG, 1/4" Stud, 1 Hole	15
YAV4CLTC516FX	#4 AWG & Flex, 5/16" Stud, 1 Hole	15
YA2CL	#2 AWG, 5/16" Stud, 1 Hole	15
YAV2CLTC516FX	#2 AWG & Flex, 5/16" Stud, 1 Hole	15
YSV10	#10 Sol & Str Splice	15
YS8CL	#8 AWG Splice	15
YS6CL	#6 AWG Splice	15
YS4CL	#4 AWG Splice	15
YS2CL	#2 AWG Splice	15
Y122MRSOMI	Safety Operating & Maintenance Instructions	1

N-50

Accessories:

Die Inspection Gages are available and sold separately. See **Y122CMR** catalog page for details.

M8ND

Full Cycle Ratchet

Hand-held tools for #26 - #8 AWG Terminals/Splices

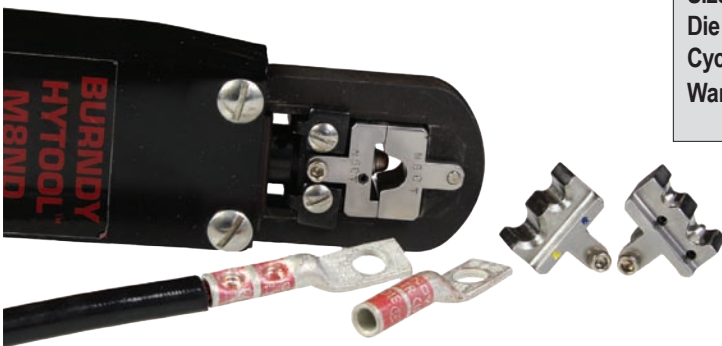
- Ratchet mechanism does not allow handles to open until full cycle is complete
- Fully protected ratchet mechanism
- Uses standard BURNDY N style dies (sold separately)
- Easy groove identification with color coded dies

Catalog Number M8ND For Use On:

#26 - #8 AWG Terminals/Splices

Terminal Types: YAD, BA-E, YAD-F, BA-EF, YAE, BA-ES, YAE-F, BA-EZ, YAE-Z, BA-EL, YAES, YAEV-H, YAEV-L, YAV, YAV-F, YAV-H, YAV-H-F

Splice Types: YSV, YSM, YSV-H, YRV-L



M8ND shown with N8CT die set installed. (Dies sold separately.)

Specifications:

Weight:	1.8 lbs
Size:	10.88" x 2.00" x .88"
Die Style:	N style
Cycles:	10,000
Warranty:	5 year limited warranty

MRC840 Series

Mechanical Rotating Crimp Tool

For #8 - 4/0 AWG Uninsulated (Bare) Terminals/
Splices

- Heat treated steel jaws
- Spring loaded mechanism locks die wheel into position
- Multiple crimp selection with rotatable die wheels
- Die index embossment for inspectability

For Use On:

Catalog Number: MRC840

#8 - #4/0 AWG Copper Terminals/Splices

Types: YA, YA-L, YS, YS-L

Catalog Number: MRC840AL

#8 - #4/0 AWG Aluminum Terminals/Splices

Types: YA-A, YS-A



Specifications:

Size:	26.00" x 8.00" x 1.50"
Weight:	8.3 lbs
Die Style:	Rotating Die Wheel
Warranty:	5 year limited warranty

MY28/MY29 Series

Dieless Mechanical Compression Tools

#8 Str. - 250 kcmil Copper; #8 Str. - 4/0 Str. Aluminum

- Easy to adjust nest die with knurled steel knob and machine threads
- Rugged tool design with heavy duty forged steel with reinforced back and handles
- Bench mount adapter (sold separately) available

For Use On:

Catalog Numbers: MY293, MY293C (covered handles), MY293CF (fully covered)

#8 Str. - 250 kcmil Copper commercial (code) cable
30 Navy - 250 Navy Copper Navy cable
#8 Str. - 4/0 Str. Aluminum commercial (code) cable
Types (Copper): YA, YA-L, YS-L
Types (Aluminum): YA-A, YS-A

Catalog Numbers: MY2911, MY2911C (covered handles), MY29UNIVERSALKIT (MY2911 tool with select connectors)

#8 Str. - 250 kcmil Copper commercial (code) cable
30 Navy - 250 Navy Copper Navy cable
#8 Str. - 4/0 Str. Flexible copper mine machine cable
Types (Copper): YA, YA-L, YS, YAV-FX, YS-L, YAV-L, YSV-L

Catalog Number: MY28

#8 Str. - 4/0 Str. Copper aircraft cable
Types (Copper): YAV-L, YSV-L

Catalog Number: MY284

#8 Str. - 4/0 Str. Aluminum aircraft cable
Types (Aluminum): YAV-A-L, YSV-A-L, YAV-A-R

Catalog Number: MY286

#8 Str. - 2/0 Str. Copper aircraft cable (flexible)
Types (Copper): Nylon Insulated: YAE-L, YAEV-RS, YAEV-H, YAEV-RH



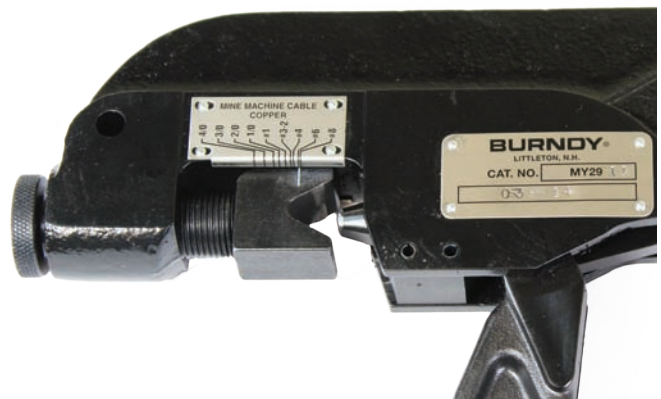
Specifications:

Weight:	8.0 lbs
Size:	22.65" x 4.88" x 1.12"
Die Style:	Dieless
Cycles:	10,000
Warranty:	5 year limited warranty

Accessories:

Catalog Number:	Description:
BMVBCHMT:	Bench Mount Adapter

Close-up of dieless mechanism



OH25

Dieless Full Cycle Ratchet

Installs Service Entrance Splice Connectors #10 - 1/0

- Ratchet mechanism does not allow handles to open until full cycle is complete
- Easy, one-hand operation incrementally closes jaws with each handle stroke
- Spring-loaded comfort grip handles
- Forged steel jaws and stainless steel indenter

Catalog Number OH25 For Use On:

Conductor Range: #10 - 1/0

5/8" Service Entrance Sleeves:

INSULINK™ Type ES (insulated) #10 - 1/0 Str.

LINKIT™ Type YSU (bare) #8 - 1/0 Str.

5/8" Neutral Tension Sleeves HYSPLICE™

Types: YS-S, YCS-R, YDS-AT (#4 - 1/0)

AYP Type HYPLUG™ #6 - 1/0 Str.



Specifications:

Handle Force:	50 lbs max.
Force Developed:	6,000 lbs max.
Size:	12.25" x 3.75" x 1.50"
Weight:	2 lbs. 11 oz.
Die Style:	Dieless
Warranty:	5 year limited warranty

Accessories:

Catalog Number:	Description:
PT4583:	Leather Holster
PT8504:	Go/No-Go Gauge; used to check crimp dimensions



N-54

PT4583 Leather Holster
(sold separately; shown with
OH25 tool)

OUR840

840 POPPER™ HYTOOL™
Overhead/Underground Applications; Full Cycle Ratchet

- Allows proper crimping of sleeves/terminations in underground applications
- Uses X dies for reduced handle force and W dies for fewer number of crimps
- UL Listed connections when used with BURNDY Listed connectors and color-coded X dies



Catalog Number OUR840 For Use On:

See charts for details

Selected Applications

Copper conductors #8 AWG - 250 kcmil

Aluminum conductors #8 AWG to 4/0 AWG

Specifications:

Handle Force: 8 lbs max.
Force Developed: 8,000 lbs max.
Die Style: W and X style dies
Size: 13.00" x 3.75" x 1.50"
Weight: 2 lbs. 14 oz.
Warranty: 5 year limited warranty

Accessories:

Catalog Number: Description:
XOH25: Nest/Indenter die set for OUR840
W28K: Cutter die for #4 - 4/0 ACSR, Copper, Aluminum
PT4583: Leather Holster made from top grain cowhide saddle leather with large grommet
OUR840WC: Metal carrying case with die tray - holds OUR840 tool and up to eleven (11) X dies (sold separately)

Copper Terminals & Splices					
Copper Wire Size	Connector Catalog Types	Die	Die Index # (Color)	# Crimps per Barrel Length	
				Std	Long
#8 AWG Str.	YA / YS 8C-	X8CRT	49 (Red)	1	2
#6 AWG Str. #5 AWG Str.	YA / YS 6C-, YA / YS 5C-	X5CRT	7 (Blue)	1	2
#4 AWG Str.	YA / YS 4C-	X4CRT	8 (Gray)	1	2
#2 AWG Str.	YA / YS 2C-	X2CRT	10 (Brown)	1	2
#1 AWG Str.	YA / YS 1C-	X1CRT	11 (Green)	1	2
1/0 AWG Str.	YA / YS 25-	X25RT	12 (Pink)	2	4
2/0 AWG Str.	YA / YS 26-	X26RT	13 (Black)	2	4
3/0 AWG Str.	YA / YS 27-	X27RT	14 (Orange)	3	6
4/0 AWG Str.	YA / YS 28-	X28RT	15 (Purple)	3	6
250 kcmil	YA / YS 29-	X29RT	16 (Yellow)	4	8
Aluminum Terminals & Splices					
Aluminum Wire Size	Connector Catalog Types	Die	Die Index # (Color)	# Crimps	
#8 AWG Str.	YA / YS 8CA	X8CART	374 (Blue)	2	
#6 AWG Str.	YA / YS 6CA-	X6CART	346 (Gray)	2	
#4 AWG Str.	YA / YS 4CA-	X4CART	375 (Green)	3	
#2 AWG Str.	YA / YS 2CA-	X2CART	348 (Pink)	4	
#1 AWG Str.	YA / YS 1CA-	X1CART	471 (Gold)	3	
1/0 AWG Str.	YA / YS 25A-	X25ART	296 (Tan)	4	
2/0 AWG Str.	YA / YS 26A-	X26ART	297 (Olive)	4	
3/0 AWG Str.	YA / YS 27A-	X27ART	467 (Ruby)	4	
4/0 AWG Str.	YA / YS 28A-	X28ART	298 (White)	6	

MD6 Series

Hand-Operated HYTOOL™

Installs full range of connectors #14 - 4/0

- Uses BURNDY® W dies
- Spring loaded positive lock die retainer buttons
- Multiple variations available

For Use On:

Copper, Aluminum, ACSR, Steel, Copperweld, Alumoweld, 6201, 5005, Compressed, and Compact Conductors

Taps:

Copper: #10 sol. to 2/0 str.
 Aluminum & ACSR: #14 sol. to 4/0 ACSR

Stirrups:

#6 to 4/0 ACSR

Overhead Full Tension Deadends, Full Tension Splices and Terminals:

#10 str. to 4/0 ACSR

Installs Splices, Taps or Terminations:

#8 to 500 kcmil Copper Stranded (YA, YA-L, YS, YS-L)
 #8 to 350 kcmil Copper Flex
 #8 to 350 kcmil Aluminum (YA-A, YS-A)

Variations:

Catalog Number:	Description:
MD6	Permanent BG (5/8) and D3 grooves; with WO die (sold separately) can install the CABLELOK CRIMPIT™ and HYCRIMP™ tap connectors
MD68	Permanent O and D3 grooves; with WBG die (sold separately) can install the CABLELOK CRIMPIT™ and HYCRIMP™ tap connectors
MD66	Snub-nose, permanent D3 groove only
MD637	Permanent 161, 162, 163, 171 dies in jaw (J, M & P, T & X)
MD638	Permanent K, BG, C dies in jaw
MD6K	Snub-nose, accepts KEARNEY™ type O dies; using KWADP adapter (sold separately) will accept BURNDY W and X dies

Hotstick Tools Available - Contact Customer Service



Specifications:

Crimp Force:	4.5 Tons
Life Cycle:	Tested over 90,000 cycles with no adjustments or part replacement
Length:	25.50" x 4.50" x 2.00"
Weight:	6.0 lbs
Die Style:	W and X styles
Warranty:	5 year limited warranty

Variations (continued):

Catalog Number: MD64	Description: Permanent BG (5/8) and D3 grooves; straight fiberglass handles 24" long; fiberglass rated 100kV per foot for 5 min.
MD614	Permanent BG (5/8) and D3 grooves; straight fiberglass handles 19" long with grips; fiberglass rated 100kV per foot for 5 min.
MD612	Permanent O and D3 grooves; straight fiberglass handles 24" long; fiberglass rated 100kV per foot for 5 min.

Accessories:

Catalog Number: WBG:	Description: Common die set for MD68, MD612
WO:	Common die set for MD6, MD64, MD614
KWADP:	Adapter to use BURNDY W and X dies with MD6K variation
WDIETREE:	W die holder for 6 die sets

MD7 Series

Hand-Operated HYTOOL™
Installs full range of connectors #14 - 4/0

- Accepts W and X Dies
- Ergonomic, one-piece composite polymer handles
- Nickel plated jaws and jaw links

For Use On:

Copper, Aluminum, ACSR, Steel, Copperweld, Alumoweld, 6201, 5005, Compressed, and Compact Conductors

Taps:

Copper: #10 sol. to 2/0 str.
Aluminum & ACSR: #14 sol. to 4/0 ACSR

Stirrups:

#6 to 4/0 ACSR

Overhead Full Tension Deadends, Full Tension Splices and Terminals:

#10 str. to 4/0 ACSR

Installs Splices, Taps or Terminations:

#8 to 500 kcmil Copper Stranded (YA, YA-L, YS, YS-L)
#8 to 350 kcmil Copper Flex
#8 to 350 kcmil Aluminum (YA-A, YS-A)

Variations:

Catalog Number:	Description:
MD7	Permanent BG (5/8) and D3 grooves; with WO die (sold separately) can install the CABLELOK CRIMPIT™ and HYCRIMP™ tap connectors
MD78	Permanent O and D3 grooves; with WBG die (sold separately) can install the CABLELOK CRIMPIT™ and HYCRIMP™ tap connectors
MD76	Snub-nose, permanent D3 groove only



Specifications:

Output Force:	4.5 Tons
Size:	25.00" x 4.50" x 2.00"
Weight:	7.0 lbs.
Die Style:	W and X styles
Life Cycle:	Tested over 90,000 cycles with no adjustments or part replacement
Warranty:	5 year limited warranty

Accessories:

Catalog Number:	Description:
WBG:	Common die set for MD78
WO:	Common die set for MD7, MD76
WDIETREE:	W die holder for 6 die sets

MD734R

Hand-Operated POSI-PRESS™

Hand-operated full cycle ratchet tool

- Full stroke ratchet mechanism
- Ergonomical one-piece composite polymer handles
- Allows use of complete W-VT, W-RT and X-RT line of BURNDY dies with die embossment

For Use On:

Copper Lugs/Splices #8 - 500 kcmil:

Types: YA, YA-L, YA-L-TC, YA-L-NT, YS-L, YS, YST, YA-TC

Copper Lugs/Splices #8 - 350 kcmil Flex

Types: YAV-L-TC-FX, YA-LB, YA-TC-FXB, YSV-L, YAV-L-NT-FX, YAV-L-FX, YAV-FXB

Copper Battery Lugs #8 - 350 kcmil Flex

Type: YAG-TC-LD

Thin Wall C-Taps #12 - 3/0 AWG

Type: YC-L

Variations:

Catalog Number:	Description:
MD734R	POSI-PRESS™ Full Cycle Ratchet Tool
MD734RC	MD734R tool with EPDM rubber covering
MD734RKIT1	MD734R tool, metal carrying case and all dies for #8 - 500 kcmil copper HYDENT™ and C-Taps for #12 - 3/0 AWG
MD734	Supplied <u>without</u> the ratchet mechanism
MD734KIT1	MD734 tool (no ratchet mechanism), metal carrying case and all dies for #8 - 500 kcmil copper HYDENT™ and C-Taps for #12 - 3/0 AWG



Specifications:

Crimp Force:	4.5 Tons
Length:	26.00" x 4.50" x 2.00"
Width:	8.00" at handles; 4.50" at jaws
Die Style:	W-VT, W-RT, and X-RT Styles
Handle Material:	Reinforced composite polymer
Warranty:	5 year limited warranty

Accessories:

Catalog Number:	Description:
PT49521:	Metal carry case (sold separately)
PT4925:	Canvas bag (sold separately)
WDIETREE:	W die holder for 6 sets of dies (sold separately)

Y46OEM12T

12 Ton Remote Operated HYPRESS™
Designed for Specific OEM Applications; Bench Mount

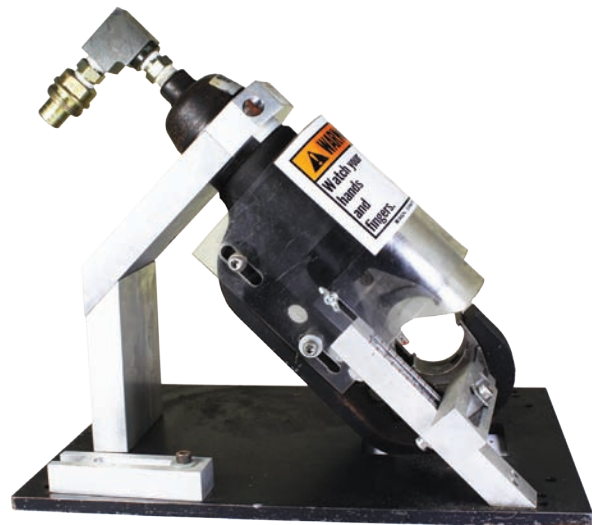
- Head mounted at 45° angle
- U dies for copper and aluminum
- Forged steel tool, precision machined components
- Coupler at 90° angle

For Use On:

Copper Terminals (Bare) #6 - 750 kcmil Code/Navy:
Types: YA, YA-2N, YA-L, YA-LB, YA-TC, YA-2LN, YAB-4N, YAV-L, YAV-RS, YA-TC-FX

Copper Terminals (Insulated) #8 - 2/0 Flex/Extra Flex
Types: YAEV-L, YAEV-H, YAEV-RS, YAEV-RH

Aluminum Terminals #6 - 750 kcmil Code
Types: YA-A, AYP, AYPO



Specifications:

Operating Pressure:	8,800 PSI
Force Developed:	12 Tons
Weight:	34.5 lbs
Size:	14.00" x 12.25" x 10.00"
Die Style:	U Dies (with PUADP-1 adapter, included)
Warranty:	2 year limited warranty

Variations:

Catalog Number:	Description:
Y46OEM12T	Y46OEM12T tool only
Y46OEM12TKIT	Kit complete with Y46OEM12T tool, Y8AC9 pump, and PT2990010 hose
Y46OEM12TKITFC	Kit complete with Y46OEM12TKIT (see above) and YACFC foot switch
Y46OEM12TKIT1	Kit complete with Y46OEM12TKIT (see above), Y46OEMGUARD, Y46OEMLOCATOR, and 12TONP1
Y46OEM12TKIT1FC	Kit complete with Y46OEM12TKIT1 (see above) and YACFC foot switch

Accessories:

Catalog Number:	Description:
Y8AC9:	5/8 HP Electric Hydraulic Pump 8,800 PSI
PT2990010:	10 foot long hydraulic hose
YACFC:	Foot switch for Y8AC9 pump
Y46OEMGUARD:	Clear safety shield
Y46OEMLOCATOR:	Adjustable connector locator
12TONP1:	Factory installed stroke limiter
UDIEKITCU:	U die kit complete with 15 U die sets for crimping #6 AWG - 750 kcmil copper, provided in one metal storage case
UDIEKITAL:	U die kit complete with 15 U die sets for crimping #6 AWG - 750 kcmil aluminum, provided in one metal storage case

Y46OEM11T

11 Ton Remote Operated HYPRESS™ Designed for OEM Applications, Bench Mounted

- Same crimp profile as 644 Series tools with dedicated P644 die set permanently affixed
- “1 Crimp” technology for most long and standard length barrel terminals
- Expanded range taking capacity

For Use On:

Copper Terminals #6 - 750 kcmil Code/Navy (Terminals):
Types: YA-L, YA-2LN, YA, YA-2N, YA-L-2TC,
YAB-4N, YA-L-TC, YA-2L, YA-4N

Copper Terminals #6 - 500 kcmil Code/Navy (Splices):
Types: YS-L, YS-T, YS

Aluminum #6 - 500 kcmil
Terminal Types: YA-A, YA-A-TN
HYPLUG™ Types: AYP, AYPO

Aluminum #6 - 350 kcmil
Splice Type: YS-A

Variations:

Catalog Number:	Description:
Y46OEM11T	Tool only
Y46OEM11TKIT	Kit complete with Y46OEM11T tool, Y7AC9 electric pump (7,300 PSI), and PT2990010 10' hydraulic hose

NOTE:

Not to be used with 10,000 PSI operating pressure.
Ensure ONLY 7,300 PSI is used for this 11-Ton output force tool.



Specifications:

Operating Pressure:	7,300 PSI
Force Developed:	11 Tons
Weight:	34.5 lbs
Size:	14.00" x 12.25" x 10.00"
Die Style:	P644 die permanently affixed
Warranty:	2 year limited warranty

Accessories:

Catalog Number:	Description:
Y7AC9:	7,300 PSI Electric Hydraulic Pump
PT2990010:	10 foot long hydraulic hose
Y46OEMGUARD:	Clear safety shield
Y46OEMLOCATOR:	Adjustable connector locator

OEM840NCP

OEM Pneumatic Press

Installs #8 - 4/0 AWG

- Customizable clear safety guard for left, right, or front feed cable entry
- Guarded foot switch
- Adjustable connector locator
- Cycle counter
- Accommodates UM, U and W dies
- Testing for UL Listing performed up to:
 - U dies: UL Listed to 1/0 AWG (YA-L), #2 AWG (YAV-L)
 - W dies: UL Listed to 3/0 AWG (YA-L), 1/0 AWG (YAV-L)

Variations:

Catalog Number: OEM840NCP
Description: OEM Pneumatic Press

Accessories:

Catalog Number: PT50024685
Description: U / UM Die Holder Assembly

Catalog Number: PT50024683
Description: W Die Holder Assembly

Catalog Number: PT50024605
Description: Front Safety Guard



Specifications:

Weight: 60.0 lbs
Size: 22.75" x 12.38" x 10.25"
 (18.56" L with air gauge)
Die Style: UM, U, W Styles
Crimp Speed: 3 seconds (approximately)
Life Cycles: 2.5 M cycles (min)
Air Pressure: 90-100 PSI
Connector Port: 3/8" NPT female thread
Warranty: 2 year limited warranty

See Connector and Die Selection Matrix below
 all dies, nest and indenters are sold separately

Connector and Die Selection Matrix				
Wire Size	YAD-M Connectors		YA and YA-L Connectors	
	UM Dies (DLO Copper)		U Dies (Code)	W Dies (Code)
	Indenter	Nest	Copper	Copper
#8 AWG	UMA	UM8CN	U8CRT	W8CRT
#6 AWG	UMB	UM6CN	U6CRT	W6CRT
#4 AWG	UMB	UM4CN	U4CRT	W4CRT
#2 AWG	UMB	UM2CN	U2CRT	W2CRT
1/0 AWG	UMC	UM25N	U25RT	W25RT
2/0 AWG	UMC	UM26N	U26RT	W26RT
3/0 AWG	UMC	UM27N	U27RT	W27RT
4/0 AWG	UMC	UM28N	U28RT	W28RT



UM Nest/Indenter



UM Crimped Terminal

N-61

Y6NCP1

Pneumatic OEM Crimp Tool

Accepts J-dies for wider wire range

- UL Listed connections used with BURNDY UL Listed connectors
- 360° rotating head
- Reliable crimp performance
- Tested to 300,000 crimps without a failure
- Pull Out Force exceeds Mil Spec/SAE*

For Use On:

Copper - #22 - #4 AWG

Nylon, Vinyl and Bare Terminals/Splices

Nylon:

YAE, YAE-N, YAE-N-F, YAE-Z, YAEV, YAEV-L, YAEV-H, YAEV-RH, YAEV-RS, TN*, YAES*, TN-F*, YAES-F*, SN, YSE-HN

Vinyl:

TP, BA, TP-F, BA-EF, TP-Z, BA-EZ, TP-LF, BA-EL, SP, BS

Bare:

T, YAD, T-F, YAD-F, YAV, YAV-L, YAV-H, YAV-R, YAV-RS, YAV-T-F, YAV-H-F, YAV-Z, YSV, YSV-H, YSV-L, YA, YAV, YS, YSV

*Excludes TN and YAES terminals with #12 AWG wire

Pneumatic crimp tool Catalog Number

Y6NCP1 includes:

- Y6NCP1 Tool
- Tool Case
- 1/8" NPT air hose
- Crimp head for J-Dies

Variations:

Catalog Number:	Description:
Y6NCP1SD	Pneumatic OEM Tool using SD-dies (industry standard profile); See separate cut sheet for more information



Specifications:

Tool Weight:	4.4 lbs
Length x Dia.:	12.88" x 2.63" x 2.63"
Die Style:	J style
Air Pressure:	90-110 PSI
Crimp Motion:	Scissor Action
Pull Out Force:	Exceeds Mil Spec/SAE*
Warranty:	1 year limited warranty

Accessories:

Catalog Number:	Description:
Y6NCP1FTSW:	Foot Switch
Y6NCP1BMNT:	Bench Mount Unit
J6NCP1CH:	Replacement J-die crimp head (included)
J1022NC1:	Die set for YAE, YAE-N, YAE-N-F, YAE-Z
J1022NC2:	Die set for YAEV, YAEV-L, YAEV-H, YAEV-RH, YAEV-RS
J1022NC3:	Die set for TN, YAES, TN-F, YAES-F, SN, YSE-HN
J1022NC4:	Die set for TP, BA, TP-F, BA-EF, TP-Z, BA-EZ, TP-LF, BA-EL, SP, BS
J1022NC5:	Die set for T, YAD, T-F, YAD-F, YAV, YAV-L, YAV-H, YAV-R, YAV-RS, YAV-T-F, YAV-H-F, YAV-Z, YSV, YSV-H, YSV-L
J8CNC:	Die set used with Y2CNC (sold separately) for #8 size YA, YAV, YS, YSV
J6CNC:	Die set used with Y2CNC (sold separately) for #6 size YA, YAV, YS, YSV
J4CNC:	Die set used with Y2CNC (sold separately) for #4 size YA, YAV, YS, YSV
Y2CNC:	Used with J8CNC, J6CNC, and J4CNC (sold separately)

Y6NCP1SD

Pneumatic OEM Crimp Tool
For Loose Piece Terminals/Splices

- UL Listed connections used with BURNDY® UL Listed connectors
- 360° rotating head
- Reliable crimp performance
- Tested to 300,000 crimps without a failure
- Pull Out Force exceeds UL 486A/B
- Industry standard die envelope; identical to MRE1022B and MRE1022NV hand tools crimp profiles

For Use On:

Copper - #22 - #10 AWG

Nylon, Vinyl and Bare Terminals/Splices

Nylon:

YAE, YAE-N, YAE-N-F, YAE-Z, YAEV, YAEV-L, YAEV-H, YAEV-RH, YAEV-RS, TN, YAES, TN-F, YAES-F, SN, YSE-HN

Vinyl:

TP, BA, TP-F, BA-EF, TP-Z, BA-EZ, TP-LF, BA-EL, SP, BS

Bare:

T, YAD, T-F, YAD-F, YAV-, YAV-L, YAV-H, YAV-R, YAV-RS, YAV-T-F, YAV-H-F, YAV-Z, YSV, YSV-H, YSV-L

Pneumatic crimp tool Catalog Number Y6NCP1SD includes:

- Tool Case
- 1/8" NPT air hose
- Crimp head for SD-Dies
- Nylon/Vinyl SD Die Set
- Bare SD Die Set
- Terminal Locator Plate

Variations:

Catalog Number:	Description:
Y6NCP1	Pneumatic OEM Tool using J-dies (sold separately) See separate cut sheet for more information

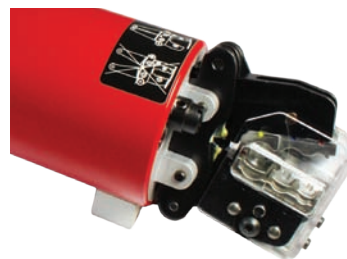


Specifications:

Tool Weight:	4.4 lbs
Length x Dia.:	12.88" x 2.63" 2.63"
Die Style:	SD Industry-Standard Die Envelope
Air Pressure:	90-110 PSI
Crimp Motion:	Scissor Action
Pull Out Force:	Exceeds UL 486A/B
Warranty:	1 year limited warranty

Accessories:

Y6NCP1FTSW:	Foot Switch
Y6NCP1BMNT:	Bench Mount Unit
SD10NCP1CH:	Replacement SD-die crimp head (included)
BECNVSD:	Replacement Nylon/Vinyl SD-die set (included)
BECBSD:	Replacement Bare SD-die set (included)
SD10NCP1LP1:	Replacement Locator Plate (included)



Spring-loaded Terminal Locator



Y6NCP1BMNT
(tool not included sold separately)

60 Ton Dies



60-Ton HPS/Fargo-equivalent Dies CD Index; Circumferential Profile

BURNDY Die Catalog Number	Conductor Code Name	Conductor Size	Typical HPS/Fargo Connectors	
			UNI-GRIP® Splice	UNI-GRIP® Deadend
07CD60	Peony	300.0 AAC	C150707	C010707
	Tulip	336.4 AAC	C150707	C010707
	Daffodil	350.0 AAC	C150707	C010707
	no name (0.595-0.680 dia.)	281.4-312.8 AAAC	AB150707	AB010707
	Owl	266.8 ACSR 6/7 Str.	A150709	A010709
	Partridge	266.8 ACSR 26/7 Str.	A150710	A010710
08CD60	Canna	397.5 AAC	C150808	C010808
	Four-O'Clock	400.0 AAC	C150808	C010808
	no name (0.681-0.765 dia.)	394.5-419.6 AAAC	AB150808	AB010808
	Ostrich	300.0 ACSR 26/7 Str.	A150811	A010811
	Merlin	336.4 ACSR 18/1 Str.	A150812	A010812
	Linnet	336.4 ACSR 26/7 Str.	A150813	A010813
	Chickadee	397.5 ACSR 18/1 Str.	A150815	A010815
09CD60	Goldentuft	450.0 AAC	C150909	C010909
	Yarrow	450.0 AAC	C150909	C010909
	Cosmos	477.0 AAC	C150909	C010909
	Syringa	477.0 AAC	C150909	C010909
	Zinnia	500.0 AAC	C150909	C010909
	Hyacinth	500.0 AAC	C150909	C010909
	Ganzania	550.0 AAC	C150909	C010909
	no name (0.772-0.855 dia.)	465.4-503.6 AAAC	AB150909	AB010909
	Oriole	336.4 ACSR 30/7 Str.	A150914	A010914
	Brant	397.5 ACSR 24/7 Str.	A150916	A010916
	Ibis	397.5 ACSR 26/7	A150917	A010917
	Pelican	477.0 ACSR 18/1 Str.	A150919	A010919
	Flicker	477.0 ACSR 24/7 Str.	A150920	A010920
10CD60	Dahlia	556.5 AAC	C151010	C011010
	Mistletoe	556.5 AAC	C151010	C011010
	Meadowsweet	600.0 AAC	C151010	C011010
	Orchid	636.0 AAC	C151010	C011010
	Heuchera	650.0 AAC	C151010	C011010
	no name (0.856-0.950 dia.)	545.0-657.3 AAAC	AB151010	AB011010
	Hawk	477.0 ACSR 26/7 Str.	A1510211	A0110211

60 Ton Dies



60-Ton HPS/Fargo-equivalent Dies
CD Index; Circumferential Profile
(Continued)

BURNDY Die Catalog Number	Conductor Code Name	Conductor Size	Typical HPS/Fargo Connectors	
			UNI-GRIP® Splice	UNI-GRIP® Deadend
10CD60 (Continued)	Osprey	556.5 ACSR 18/1 Str.	A151023	A011023
	Parakeet	556.5 ACSR 24/7 Str.	A151024	A011024
	Dove	556.5 ACSR 26/7 Str.	A151025	A011025
	Swift	636.0 ACSR 36/1 Str.	A151030	A010030
	Kingbird	636.0 ACSR 18/1 Str.	A151031	A010031
11CD60	Verbena	700.0 AAC	C151111	C011111
	Flag	700.0 AAC	C151111	C011111
	Violet	715.5 AAC	C151111	C011111
	Nasturtium	715.5 AAC	C151111	C011111
	Petunia	750.0 AAC	C151111	C011111
	Cattail	750.0 AAC	C151111	C011111
	Arbutus	795.0 AAC	C151111	C011111
	Lilac	795.0 AAC	C151111	C011111
	Fuchsia	800.0 AAC	C151111	C011111
	Heliotrope	800.0 AAC	C151111	C011111
	no name (0.940-1.036 dia.)	739.8-740.8 AAAC	AB151111	AB011111
	Hen	477.0 ACSR 30/7 Str.	A151122	A011122
	Eagle	556.5 ACSR 30/7 Str.	A151126	A011126
	Peacock	605.0 ACSR 24/7 Str.	A151127	A011127
	Squab	605.0 ACSR 26/7 Str.	A151128	A011128
	Rook	636.0 ACSR 24/7 Str.	A151132	A011132
	Grosbeak	636.0 ACSR 26/7 Str.	A151133	A011133
	Flamingo	666.6 ACSR 24/7 Str.	A151136	A011136
	Gannett	666.6 ACSR 26/7 Str.	A151137	A011137
	Stilt	715.5 ACSR 24/7 Str.	A151138	A011138
Coot	795.0 ACSR 36/1 Str.	A151141	A011141	
12CD60	Anemone	874.5 AAC	C151212	C011212
	Crocus	874.5 AAC	C151212	C011212
	Cockscomb	900.0 AAC	C151212	C011212
	Snapdragon	900.0 AAC	C151212	C011212
	Magnolia	954.0 AAC	C151212	C011212
	Goldenrod	954.0 AAC	C151212	C011212
	no name (1.026-1.131 dia.)	833.6-932.6 AAAC	AB151212	AB011212
	Teal	605.0 ACSR 30/19 Str.	A151229	A011229
	Egret	636.0 ACSR 30/19 Str.	A151234	A011234

N-65

60 Ton Dies



60-Ton HPS/Fargo-equivalent Dies

CD Index; Circumferential Profile
(Continued)

BURNDY Die Catalog Number	Conductor Code Name	Conductor Size	Typical HPS/Fargo Connectors	
			UNI-GRIP® Splice	UNI-GRIP® Deadend
12CD60 (continued)	Starling	715.5 ACSR 26/7 Str.	A151239	A011239
	Tern	795.0 ACSR 45/7 Str.	A151242	A011242
	Cuckoo	795.0 ACSR 24/7 Str.	A151243	A0112431
	Condor	795.0 ACSR 54/7 Str.	A1512441	A0112441
	Drake	795.0 ACSR 26/7 Str.	A1512451	A0112451
	Ruddy	900.0 ACSR 45/7	A151247	A011247
	Catbird	954.0 ACSR 36/1 Str.	A151249	A011249
13CD60	Hawkweed	1000.0 AAC 37 Str.	C151313	C011313
	Camelia	1000.0 AAC 61 Str.	C151313	C011313
	Bluebell	1033.5 AAC 37 Str.	C151313	C011313
	Larkspur	1033.5 AAC 61 Str.	C151313	C011313
	Marigold	1113.0 AAC 61 Str.	C151313	C011313
	no name (1.140-1.235 dia.)	1000.0-1127.0 AAAC	AB151313	AB011313
	Mallard	795.0 ACSR 30/19 Str.	A151346	A011346
	Canary	900.0 ACSR 54/7 Str.	A151348	A011348
	Rail	954.0 ACSR 45/7 Str.	A151350	A011350
	Cardinal	954.0 ACSR 54/7 Str.	A1513511	A011351
	Ortolan	1033.5 ACSR 45/7 Str.	A151353	A011353
14CD60	Hawthorn	1192.5 AAC 61 Str.	C151414	C011414
	Narcissus	1272.0 AAC 61 Str.	C151414	C011414
	no name (1.236-1.330 dia.)	1172.0-1300.0 AAAC	AB151414	AB011414
	Curlew	1033.5 ACSR 54/7 Str.	A151454	A011454
	Bluejay	1113.0 ACSR 45/7 Str.	A151455	A011455
	Finch	1113.0 ACSR 54/19 Str.	A151456	A011456
15CD60	Bunting	1192.5 ACSR 45/7 Str.	A151457	A011457
	Columbine	1351.5 AAC 61 Str.	AC151515	AC011515
	Carnation	1431.0 AAC 61 Str.	AC151515	AC011515
	Gladiolus	1510.5 AAC 61 Str.	AC151515	AC011515
	no name (1.331-1.425 dia.)	1361.0-1500.0 AAAC	AB151315	AB011515
	Grackle	1192.5 ACSR 54/19 Str.	A151558	A011558
	Bittern	1272.0 ACSR 45/7 Str.	A1515591	A0115591
	Pheasant	1272.0 ACSR 54/19 Str.	A151560	A011560
	Dipper	1351.5 ACSR 45/7 Str.	A151561	A011561
Martin	1351.5 ACSR 54/19 Str.	A151562	A011562	

60 Ton Dies



60-Ton HPS/Fargo-equivalent Dies
CD Index; Circumferential Profile
(Continued)

BURNDY Die Catalog Number	Conductor Code Name	Conductor Size	Typical HPS/Fargo Connectors	
			UNI-GRIP® Splice	UNI-GRIP® Deadend
16CD60	Coreopsis	1590.0 AAC 61 Str.	C151616	C011616
	Dogwood	1590.0 AAC 91 Str.	C151616	C011616
	no name (1.426-1.520 dia.)	1534.0-1703.0 AAAC	AB151616	AB011616
	Bobolink	1431.0 ACSR 45/7 Str.	A151663	A011663
	Lapwing	1590.0 ACSR 45/7 Str.	A151667	A011667
17CD60	Jessamine	1750.0 AAC 61 Str.	C151717	C011717
	Falcon	1590.0 ACSR 54/19 Str.	A1517681	A0117681
	Chukar	1780.0 ACSR 84/19 Str.	A151769	A011769
	Seahawk	1869.0 ACSR 68/7 Str.	A151770	A011717



Top: close up of marking on Fargo splice requiring 12CD die index.

Bottom: Fargo splice requiring 12CD die index.



60 Ton Dies



60-Ton HPS/Fargo-equivalent Dies

SH Index; Hexagonal Profile

AH Index; Hexagonal Profile

Two Die Sets Required (sold separately)		Conductor Code Name	Conductor Size	Typical HPS/Fargo Connectors	
BURNDY Catalog # Aluminum Die	BURNDY Catalog # Steel Die			2-Die Splice	2-Die Deadend
75AH60	75SH60	Pigeon	3/0 ACSR 6/1 Str.	TJA7829	SEDA7829
76AH60	75SH60	Penguin	4/0 ACSR 6/1 Str.	TJA7929	SEDA7929
	74SH60	Waxwing	266.8 ACSR 18/1 Str.	TJA1102	SEDA1102
	76SH60	Partridge	266.8 ACSR 26/7 Str.	TJA1109	SEDA1109
20AH60	74SH60	Merlin	336.4 ACSR 18/1 Str.	TJA1302	SEDA1302
	74SH60	Chickadee	397.5 ACSR 18/1 Str.	TJA1502	SEDA1502
	10SH60	Ostrich	300.0 26/7 Str.	TJA1209	SEDA1209
	10SH60	Linnet	336.4 ACSR 26/7 Str.	TJA1309	SEDA1309
	10SH60	Oriole	336.4 ACSR 30/7 Str.	TJA1313	SEDA1313
	10SH60	Brant	397.5 ACSR 24/7 Str.	TJA1508	SEDA1508
	10SH60	Ibis	397.5 ACSR 26/7 Str.	TJA1509	SEDA1509
	12SH60	Lark	397.5 ACSR 30/7 Str.	TJA1513	SEDA1513
24AH60	75SH60	Pelican	477.0 ACSR 18/1 Str.	TJA1802	SEDA1802
	75SH60	Osprey	556.5 ACSR 18/1 Str.	TJA2202	SEDA2202
	10SH60	Flicker	477.0 ACSR 24/7 Str.	TJA1808	SEDA1808
	10SH60	Parakeet	556.5 ACSR 24/7 Str.	TJA2208	SEDA2208
	12SH60	Hawk	477.0 ACSR 26/7 Str.	TJA1809	SEDA1809
	12SH60	Hen	477.0 ACSR 30/7 Str.	TJA1813	SEDA1813
	12SH60	Dove	556.5 ACSR 26/7 Str.	TJA2209	SEDA2209
27AH60	12SH60	Peacock	605.0 ACSR 24/7 Str.	TJA2408	SEDA2408
	12SH60	Squab	605.0 ACSR 26/2 Str.	TJA2409	SEDA2409
	12SH60	Rook	636.0 ACSR 24/7 Str.	TJA2508	SEDA2508
	12SH60	Grosbeak	636.0 ACSR 26/7 Str.	TJA2509	SEDA2509
	12SH60	Flamingo	666.6 ACSR 24/7 Str.	TJA2808	SEDA2808
	12SH60	Gannet	666.6 ACSR 26/7 Str.	TJA2809	SEDA2809
	14SH60	Eagle	556.5 ACSR 30/7 Str.	TJA2213	SEDA2213
	14SH60	Wood Duck	605.0 ACSR 30/7 Str.	TJA2413	SEDA2413
	14SH60	Teal	605.0 ACSR 30/19 Str.	TJA2417	SEDA2417
	14SH60	Scoter	636.0 ACSR 30/7 Str.	TJA2513	SEDA2513
	14SH60	Egret	636.0 ACSR 30/19 Str.	TJA2517	SEDA2517
30AH60	10SH60	Tern	795.0 ACSR 45/7 Str.	TJA3318	SEDA3318
	10SH60	Ruddy	900.0 ACSR 45/7 Str.	TJA3818	SEDA3818
	10SH60	Rail	954.0 ACSR 45/7 Str.	TJA4118	SEDA4118
	12SH60	Stilt	715.5 ACSR 24/7 Str.	TJA3008	SEDA3008
	12SH60	Cuckoo	795.0 ACSR 24/7 Str.	TJA3308	SEDA3308

60 Ton Dies



60-Ton HPS/Fargo-equivalent Dies

SH Index; Hexagonal Profile
AH Index; Hexagonal Profile
(Continued)

Two Die Sets Required (sold separately)		Conductor Code Name	Conductor Size	Typical HPS/Fargo Connectors	
BURNDY Catalog # Aluminum Die	BURNDY Catalog # Steel Die			2-Die Splice	2-Die Deadend
30AH60 (Continued)	12SH60	Condor	795.0 ACSR 54/7 Str.	TJA3321	SEDA3321
	12SH60	Crane	874.5 ACSR 54/7 Str.	TJA3721	SEDA3721
	14SH60	Starling	715.5 ACSR 26/7 Str.	TJA3009	SEDA3009
	14SH60	Drake	795.0 ACSR 26/7 Str.	TJA3309	SEDA3309
	14SH60	Canary	900.0 ACSR 54/7 Str.	TJA3821	SEDA3821
	14SH60	Towhee	954.0 ACSR 48/7 Str.	TJA4119	SEDA4119
	14SH60	Cardinal	954.0 ACSR 54/7 Str.	TJA4121	SEDA4121
	16SH60	Redwing	715.5 ACSR 30/19 Str.	TJA3017	SEDA3017
	16SH60	Mallard	795.0 ACSR 30/19 Str.	TJA3317	SEDA3317
34AH60	10SH60	Ortolan	1033.5 ACSR 45/7 Str.	TJA4418	SEDA4418
	12SH60	Bluejay	1113.0 ACSR 45/7 Str.	TJA4718	SEDA4718
	12SH60	Bunting	1192.5 ACSR 45/7 Str.	TJA4918	SEDA4918
	14SH60	Curlew	1033.5 ACSR 54/7 Str.	TJA4421	SEDA4421
	14SH60	Finch	1113.0 ACSR 54/19 Str.	TJA4724	SEDA4724
36AH60	12SH60	Bittern	1272.0 ACSR 45/7 Str.	TJA5118	SEDA5118
	12SH60	Dipper	1351.5 ACSR 45/7 Str.	TJA5218	SEDA5218
	12SH60	Bobolink	1431.0 ACSR 45/7 Str.	TJA5418	SEDA5418
	14SH60	Grackle	1192.5 ACSR 54/19 Str.	TJA4924	SEDA4924
	16SH60	Pheasant	1272.0 ACSR 54/19 Str.	TJA5124	SEDA5124
38AH60	16SH60	Martin	1351.5 54/19 Str.	TJA5224	SEDA5224
	16SH60	Plover	1431.0 54/19 Str.	TJA5424	SEDA5424
	12SH60	Nuthatch	1510.5 45/7 Str.	TJA5618	SEDA5618
40AH60	16SH60	Parrot	1510.5 54/19 Str.	TJA5624	SEDA5624
	12SH60	Lapwing	1590.0 45/7 Str.	TJA5718	SEDA5718



Above: close up of marking on Fargo splice requiring 14SH die index.



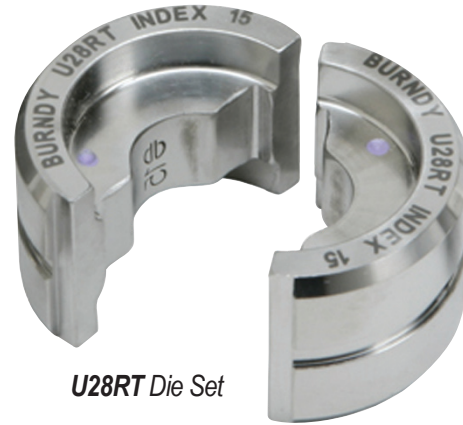
Left: Fargo splice requiring 30AH die index.

12-Ton U Dies*

**For Y35, Y39, Y750, PAT750 Series
PAT46 Series (with PUADP1 Adapter)**

* Non-tension U-type 12 ton dies for YA, YS, YA-A, YS-A style connectors

** Wide dies are intended for use on long barrel terminals and splices (YA/YS) only.

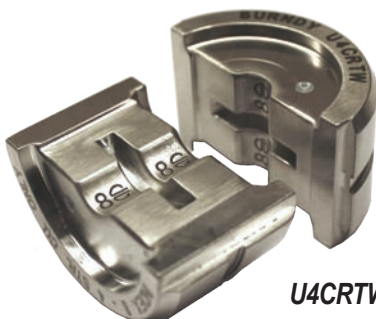


U28RT Die Set

Die Sets sold separately; U Die Kits also available; see following page

Note: N/A = not applicable

Wire Size	Copper	Copper Wide Die**	Aluminum
#8 AWG	U8CRT	U8CRTW	U8CABT
#6 AWG	U5CRT	U5CRTW	U6CABT
#4 AWG	U4CRT	U4CRTW	U4CABT
#3 AWG	U3CRT	U3CRTW	N/A
#2 AWG	U2CRT	U2CRTW	U2CABT
#1 AWG	U1CRT1	U1CRT1W	U1CART
1/0 AWG	U25RT	U25RTW	U25ART
2/0 AWG	U26RT	U26RTW	U26ART
3/0 AWG	U27RT	U27RTW	U27ART
4/0 AWG	U28RT	U28RTW	U28ART
250 kcmil	U29RT	N/A	U29ART
300 kcmil	U30RT		U30ART
350 kcmil	U31RT		U31ART
400 kcmil	U32RT		U32ART
500 kcmil	U34RT		U34ART
535 Flex	U38XRT		N/A
600 kcmil	U36RT		U36ART
750 kcmil	U39RT		U39ART2
777 Flex	U44XRT		N/A



U4CRTW Wide Die Set



PT29291 die box is available (sold separately) holding up to 15 "U" style (standard or wide) die sets; dies not included.

N-70

U Die Kits

**For Y35, Y39, Y750, PAT750 Series
PAT46 Series (with PUADP1 Adapter)**

UDIEKITCU and **UDIEKITAL** include 15 sets of “U” dies and die case. These stainless steel color coded dies are for crimping YA, YS, YA-A, and YS-A types of connectors, ranging from #6 AWG through 750 kcmil.

UDIEKITCUW includes 9 sets of wide stainless steel color coded dies for crimping long barrel YA and YS types of connectors up to 4/0 AWG. The wide dies require only one crimp compared to 2 for the standard width dies.

Note: N/A = not applicable

UDIEKITCU



Wire Size	UDIEKITCU includes	UDIEKITCUW includes	UDIEKITAL includes
#8 AWG	N/A	U8CRTW	N/A
#6 AWG	U5CRT	U5CRTW	U6CABT
#4 AWG	U4CRT	U4CRTW	U4CABT
#2 AWG	U2CRT	U2CRTW	U2CABT
#1 AWG	U1CRT1	U1CRT1W	U1CART
1/0 AWG	U25RT	U25RTW	U25ART
2/0 AWG	U26RT	U26RTW	U26ART
3/0 AWG	U27RT	U27RTW	U27ART
4/0 AWG	U28RT	U28RTW	U28ART
250 kcmil	U29RT	N/A	U29ART
300 kcmil	U30RT		U30ART
350 kcmil	U31RT		U31ART
400 kcmil	U32RT		U32ART
500 kcmil	U34RT		U34ART
600 kcmil	U36RT		U36ART
750 kcmil	U39RT		U39ART2
Die Case	PT29291	PT29291	PT29291

UDIEKITHYGRD includes 8 dies sets. Seven die sets are used to install the BURNDY® HYGROUND® irreversible compression grounding connectors; the U2CABT die set is for pre-crimping 1/2”, 5/8” and 3/4” ground rods for increased rotational resistance. The UDIEKITHYGRD also includes the PT29291 die case.

UDIEKITHYGRD includes UC, UO, U997, PU998, U1011, U1104, U1105, U2CABT (Ground rod pre-crimp die), and PT29291 die case

N-71

UM-Style Dies

**For Y35, Y39, Y750, PAT750 Series,
Y46 and PAT46 Series (with PUADP1 Adapter),
OEM840NCP (up to 4/0 size)**



UM-style Nest and Indenter dies are specifically designed to work with the YAD lugs. The distinctive “M” crimping profile design straddles the brazed seam of the YAD-M and YAV-L series lugs to provide a consistent, long term, reliable connection. Accepts copper cable sizes from 8 AWG to 600 kcmil for DLO/ Flex cable.

CNC machined from stainless steel, these dies are compatible with all BURNDY® tooling that accepts a “U” die envelope.

Sold individually or in a kit (**UMDIEKIT**) which has select dies/indenters covering #8 to 4/0 AWG in a metal die case.

Copper Wire Size	Catalog Number (Indenter Dies)	Catalog Number (Nest Dies)	Crimps Lug Series
8 AWG DLO	UMA	UM8CN	YAD-M, YAV-L
6 AWG DLO	UMB	UM6CN	YAD-M, YAV-L
4 AWG DLO	UMB	UM4CN	YAD-M, YAV-L
2 AWG DLO	UMB	UM2CN	YAD-M, YAV-L
1/0 AWG DLO	UMC	UM25N	YAD-M, YAV-L
2/0 AWG DLO	UMC	UM26N	YAD-M, YAV-L
3/0 AWG DLO	UMC	UM27N	YAD-M, YAV-L
4/0 AWG DLO	UMC	UM28N	YAD-M, YAV-L
300 kcmil DLO	UME	UM30N	YAD-M
350 kcmil DLO	UME	UM31N	YAD-M
450 kcmil DLO	UME	UM33N	YAD-M
600 kcmil DLO	UME	UM36N	YAD-M



**Close up of “M”
Profile Crimp**

N-72

UMDIEKIT Contents		
Catalog Number	Description	Quantity
UMA	Indenter #8 AWG	1
UMB	Indenter #6, #4, #2 AWG	1
UMC	Indenter 1/0-4/0	1
UM8CN	Nest #8 AWG	1
UM6CN	Nest #6 AWG	1
UM4CN	Nest #4 AWG	1
UM2CN	Nest #2 AWG	1
UM25N	Nest 1/0 AWG	1
UM26N	Nest 2/0 AWG	1
UM27N	Nest 3/0 AWG	1
UM28N	Nest 4/0 AWG	1
PT29291	UM Die Kit Case	1

W Dies

For MD6, MD7, Y500CTHS, PAT500SJ, PAT600, PATMD6 and CSMD Series

* These sizes (250 - 500) for Y500CTHS, MD734, and MD734R only.

** For PAT600 and PAT500SJ series and Y500CTHS only.

Note: N/A = not applicable

Suitable for use on YA, YS, YA-A, YS-A type non-tension connectors.

Die Sets sold separately; W Die Kits also available; see following page



W25RT Die Set

Wire Size	Copper (-VT)	Copper (-RT)	Aluminum
#8 AWG	W8CVT	W8CRT	X8CART
#6 AWG	W5CVT	W5CRT	W161
#4 AWG	W4CVT	W4CRT	W162
#3 AWG	W3CRT	W3CRT	N/A
#2 AWG	W2CVT	W2CRT	W239
#1 AWG	W1CVT	W1CRT1	W163
1/0 AWG	W25VT	W25RT	W241
2/0 AWG	W26VT	W26RT	W245
3/0 AWG	W27VT	W27RT	W166
4/0 AWG	W28VT	W28RT	W660
250 kcmil	W29VT*	W29RT*	W249
300 kcmil	W30VT*	W30RT*	N/A
350 kcmil	W31VT*	W31RT*	W31ART*
400 kcmil	W32VT*	W32RT*	N/A
450 kcmil	W33VT*	W33RT*	N/A
500 kcmil	W34VT*	W34RT*	N/A
600 kcmil	N/A	W36RT**	N/A

VT = "V" profile die for reduced handle force when using MD6/MD7 series tools; Twin die (includes both halves)
RT = Round die (circumferential); Twin die (includes both halves)



WDIETREE available (sold separately); holds up to 6 "W" style die sets (dies not included)



CASEWDIES die box available (sold separately); holds up to 12 "W" or "X" style die sets (dies not included)

W Die Kits

For MD6, MD7, Y500CTHS, PAT500SJ, PAT600, PATMD6 and CSMD Series

* These sizes (250 - 500) for PAT600 and PAT500SJ Series, Y500CTHS, MD734, and MD734R only.

Note: N/A = not applicable

Suitable for use on YA, YS, YA-A, YS-A type non-tension connectors.



CASEWDIES
included with die kits;
also sold separately
(dies not included)

Wire Size	WDIEKITCU for Copper includes	WDIEKITAL for Aluminum includes
#8 AWG	W8CRT	X8CART
#6 AWG	W5CRT	W161
#4 AWG	W4CRT	W162
#2 AWG	W2CRT	W239
#1 AWG	W1CRT1	W163
1/0 AWG	W25RT	W241
2/0 AWG	W26RT	W245
3/0 AWG	W27RT	W166
4/0 AWG	W28RT	W660
250 kcmil	W29RT*	W249
350 kcmil	W31RT*	W31ART*
500 kcmil	W34RT*	N/A
Die Case	CASEWDIES	CASEWDIES

W Die Related



WBG Die Set

- Double groove die set
- One (1) crimp per end on service entrance sleeves
- Requires half the number of crimps on other 5/8" sleeves



W28K Cutter Die Set

- Cuts #4 - 4/0 ACSR, Aluminum or Copper



WDIETREE W Die Holder

- Innovative die holder as alternative to the standard die case
- Designed to hold up to 6 W dies
- Shown with die sets (not included)



W687 & W702 Non-Bowing Die Sets

- Install one-piece, full-tension UNISPLICE™ sleeves on ACSR conductors without bowing (sold separately)

W687: Installs #4 ACSR 6/1, 7/1; YDS4RL and YDS4RLY
#2 ACSR 6/1; YS2RL and YDS2RLY

W702: Installs #2 ACSR 7/1; YDS021RL and YDS021RLY
1/0 ACSR; YDS25RL and YDS25RLY



CASEWDIES Compact Die Case

- Space for 12 W or X style dies (not included)

PATCUT4CUAL

PATRIOT® 11-Ton, Scissor Action
Hydraulic Self-Contained, 18V Lithium-Ion

- Extra wide jaw opening
- Scissor action cutting jaws
- 355° head rotation
- Multi-position assist handle
- Includes 2 batteries, charger, lanyard, polymer carrying case
- **EP Enhanced Power** labeled tools accept 2.0, 3.0, 4.0, and 5.0Ah Makita batteries

For Use On:

Maximum Cutting Capacity:

Copper and Aluminum:
up to 4.00" O.D.

Variations: (additional variations may be available)

Catalog Number:	Description:
PATCUT4CUALLI	with 3.0Ah battery
PATCUT4L5	with 5.0Ah battery



Specifications:

Output Force:	11 Tons
Tool Weight:	20.3 lbs
Size:	24.31" X 3.26" X 15.33"
Operating Voltage:	18 V-DC Lithium-Ion
Recharge Time:	30 minutes (3.0Ah) 45 minutes (5.0Ah)
Warranty:	5 year limited warranty (excludes blades) Lifetime warranty on INFINITY DRIVE® 3 year on batteries and charger

Accessories:

Catalog Number:	Description:
BAT18VLI:	3.0Ah Li-Ion battery
BAT18V5AHLI:	5.0Ah Li-Ion battery
PATCHGRLI:	120V-AC Charger
PATCHGRLIDC:	12/24V-DC Charger
PT208620:	Tool Retention Lanyard



PATCUT4CUALLI
with multi-position
assist handle



See Important Notes on Page N-6.

PATCUT2156

Latch Head, ACSR up to 2156 kcmil
Hydraulic Self-Contained Cutter, 18V Lithium-Ion

- 180° head rotation
- Durable hardened steel blades
- Specialized latch head for mid-span cuts
- Mechanical ram release with no power consumption
- Includes 2 batteries, charger, and polymer carrying case
- **EP Enhanced Power** labeled tools accept 2.0, 3.0, 4.0, and 5.0Ah Makita batteries



For Use On:

- Copper/Aluminum Cable:** up to 2"
- ACSR:** up to 2156 kcmil
- Ground Rod:** up to 3/4"
- Rebar:** up to 5/8"
- Soft Steel Bolts:** up to 3/4"
- Standard Guy:** up to 9/16"
- EHS Guy:** up to 9/16"

Variations: (additional variations may be available)

Catalog Number:	Description:
PATCUT2156LI	with 3.0Ah battery
PATCUT2156L5	with 5.0Ah battery

Specifications:

Output Force:	10 Tons
Tool Weight:	15.5 lbs
Size:	16.50" x 13.50" x 3.38"
Operating Voltage:	18 V-DC Lithium-Ion
Recharge Time:	30 minutes (3.0Ah) 45 minutes (5.0Ah)
Warranty:	5 year limited warranty (excluding blades) Lifetime warranty on INFINITY DRIVE® 3 year on batteries and charger

Accessories:

Catalog Number:	Description:
BAT18VLI:	3.0Ah Li-Ion battery
BAT18V5AHLI:	5.0Ah Li-Ion battery
PATCHGRLI:	120V-AC Charger
PATCHGRLIDC:	12/24V-DC Charger
PT208620:	Lanyard
CUT200BLMVBL:	Replacement Moving Blade
CUT200BLSTA:	Replacement Fixed (Stationary) Blade

See Important Notes on Page N-6.

PATCUT129

Latch Head, Cu/Al to 1.29" diameter Hydraulic Self-Contained Cutter, 18V Lithium-Ion

- 180° head rotation
- Overmolded handle and ergonomic design
- One-handed operation for advance, retract and hold
- Latch head design for interference free closure for mid-span cuts
- Includes 2 batteries, charger, and polymer carrying case
- **EP Enhanced Power** labeled tools accept 2.0, 3.0, 4.0, and 5.0Ah Makita batteries



For Use On:

Copper/Aluminum Cable: up to 1.29"

ACSR: up to 1113 kcmil

Ground Rod: up to 5/8"

Rebar: up to 1/2"

Soft Steel Bolts: up to 5/8"

Standard Guy: up to 1/2"

EHS Guy Strand: up to 3/8"

Variations: (additional variations may be available)

Catalog Number:	Description:
PATCUT129LI	with 3.0Ah battery
PATCUT129L5	with 5.0Ah battery

Specifications:

Output Force:	7 Tons
Tool Weight:	10.2 lbs
Size:	14.50" x 13.50" x 3.50"
Operating Voltage:	18 V-DC Lithium-Ion
Recharge Time:	30 minutes (3.0Ah) 45 minutes (5.0Ah)
Warranty:	5 year limited warranty (excluding blades) Lifetime warranty on INFINITY DRIVE® 3 year on batteries and charger

Accessories:

Catalog Number:	Description:
BAT18VLI:	3.0Ah Li-Ion battery
BAT18V5AHLI:	5.0Ah Li-Ion battery
PATCHGRLI:	120V-AC Charger
PATCHGRLLIDC:	12/24V-DC Charger
PT208620:	Lanyard
PT10037388:	Replacement Moving Blade
PT10037384:	Replacement Fixed Blade

PATCUT245

Latch Head, Cu/Al up to 2.45" O.D.
Hydraulic Self-Contained Cutter 18V Lithium-Ion

- 180° head rotation
- Cuts up to 2.45" diameter copper/aluminum cable
- Specialized latch style cutting head for interference-free closure for mid-span work
- Ergonomic design, overmolded handle
- Includes 2 batteries, charger, and polymer carrying case
- **EP Enhanced Power** labeled tools accept 2.0, 3.0, 4.0, and 5.0Ah Makita batteries



For Use On:

Copper/Aluminum Cable:
Up to 2.45" O.D.

For Copper and Aluminum cable only. Do not cut steel, ground rod, rebar or guy wire.

Variations: (additional variations may be available)

Catalog Number:	Description:
PATCUT245LI	with 3.0Ah battery
PATCUT245L5	with 5.0Ah battery

Specifications:

Output Force:	6 Tons
Tool Weight:	13.7 lbs
Size:	18.13" x 13.50" x 3.50"
Operating Voltage:	18 V-DC Lithium-Ion
Recharge Time:	30 minutes (3.0Ah) 45 minutes (5.0Ah)
Warranty:	5 year limited warranty (excluding blades) Lifetime warranty on INFINITY DRIVE® 3 year on batteries and charger

Accessories:

Catalog Number:	Description:
BAT18VLI:	3.0Ah Li-Ion battery
BAT18V5AHLI:	5.0Ah Li-Ion battery
PATCHGRLI:	120V-AC Charger
PATCHGRLIDC:	12/24V-DC Charger
PT208620:	Lanyard
PT10038657:	Replacement Moving Blade
PT10040663:	Replacement Fixed Blade

See Important Notes on Page N-6.

PAT500SJCUT

6-Ton, Scissor Action
 Hydraulic Self-Contained, 18V Lithium-Ion

- Interchangeable scissor action crimping and cutting jaws
- 180° head rotation
- Uses W and X style dies with available crimping jaws
- Ergonomically balanced tool design
- Includes 2 batteries, charger, and polymer carrying case
- **EP Enhanced Power** labeled tools accept 2.0, 3.0, 4.0, and 5.0Ah Makita batteries



For Use On:

Maximum Cutting Capacity:

ACSR:

556 kcmil (26/7 Dove)

AAC:

636 kcmil

Copper:

500 kcmil soft drawn copper

Variations: (additional variations may be available)

Catalog Number:	Description:
PAT500SJCUTL1	with 3.0Ah battery
PAT500SJCUTL5	with 5.0Ah battery

Interchangeable Jaw Assemblies / Kits:

Catalog Number:	Description:
PATJAWSMD6	BG and D3 grooves
PATJAWSMD68	O and D3 grooves
PATJAWSMD66	D3 groove only (snub-nose)
PAT500SJ6LICUTKIT1	Kit includes crimp head with BG & D3 grooves, cutter jaw, 120V charger and 2 batteries (3.0Ah)
PAT500SJ68LICUTKIT1	Kit includes crimp head with O & D3 grooves, cutter jaw, 120V charger and 2 batteries (3.0Ah)

Specifications:

Output Force:	6 Tons
Tool Weight:	11.5 lbs
Size:	17.00" X 14.25" X 3.00"
Die Style:	W and X (with crimping jaws)
Operating Voltage:	18 V-DC Lithium-Ion
Recharge Time:	30 minutes (3.0Ah) 45 minutes (5.0Ah)
Warranty:	5 year limited warranty Lifetime warranty on INFINITY DRIVE® 3 year on batteries and charger

Accessories:

Catalog Number:	Description:
BAT18VLI:	3.0Ah Li-Ion battery
BAT18V5AHLI:	5.0Ah Li-Ion battery
PATCHGRLL:	120V-AC Charger
PATCHGRLLDC:	12/24V-DC Charger
PT10074020:	Wrist strap
WDIETREE:	W-die holder for 6 die sets

PATMDCUTLI

Battery Actuated IN-LINE® Tool
Hydraulic Self-Contained Cutter 18V Lithium-Ion

- 350° head rotation
- Ergonomically balanced tool design
- Actuated blade guide automatically closes for easy positioning
- Interchangeable scissor action jaws (sold separately) available to crimp or cut with same tool
- Includes 2 batteries, charger, and soft carrying case

For Use On:

Maximum Cutting Capacity:

- ACSR:**
556 kcmil (26/7 Dove)
- AAC:**
636 kcmil
- Copper:**
500 kcmil soft drawn copper

Variations: (additional variations may be available)

Catalog Number:	Description:
PATMDCUTLI	Tool with cutting blades; 120V-AC Li-Ion charger

Crimp/Cut Kits are also available supplied with both crimping and cutting jaws; see separate catalog page



Specifications:

Output Force:	6 Tons
Tool Weight:	8 lbs
Size:	22.00" x 5.00" x 2.75"
Operating Voltage:	18 V-DC Lithium-Ion
Recharge Time:	30 minutes
Warranty:	5 year limited warranty (excludes blades) Lifetime warranty on INFINITY DRIVE® 3 year on batteries and charger

Accessories:

Catalog Number:	Description:
BAT18VLI:	Hi-capacity LI battery (3.0 AH)
PATCHGRLI:	120V-AC Charger
PATCHGRLIDC:	12/24V-DC Charger
PATMDCUTACSRKIT:	Replaceable ACSR Blades Only (not jaw assembly)
PT10074020:	Wrist Strap

Interchangeable Jaw Assemblies (no tool included):

Catalog Number:	Description:
PATJAWSCUT:	Cutting jaws, includes ACSR blades
PATJAWSMD6:	Crimp jaws with permanent BG & D3 die grooves
PATJAWSMD68:	Crimp jaws with permanent O & D3 die grooves
PATJAWSMD66:	Crimp jaws with permanent D3 die groove only
PATJAWSMD6K:	Crimp jaws with KEARNEY™ groove
PATMD6JC:	Jaw covers for PATJAWSMD6 & PATJAWSMD68
PATMD66JC:	Jaw covers for PATJAWSMD66
PATMD6KJC:	Jaw covers for PATJAWSMD6K

See Important Notes on Page N-6.

PATMDALLIF Series

IN-LINE® Angle Pole Cutter / Crimper
 Hydraulic Self-Contained, 18V Lithium-Ion; 82"

- Adjustable Angular Head
- ASTM F711 Rated Pole
- Rocker trigger design for controlled actuation of the tool
- Safety lock to prevent accidental operation
- Includes 2 batteries and charger

For Use On:

Maximum Cutting Capacity:

ACSR:

556 kcmil (26/7 Dove)

AAC:

636 kcmil

Copper:

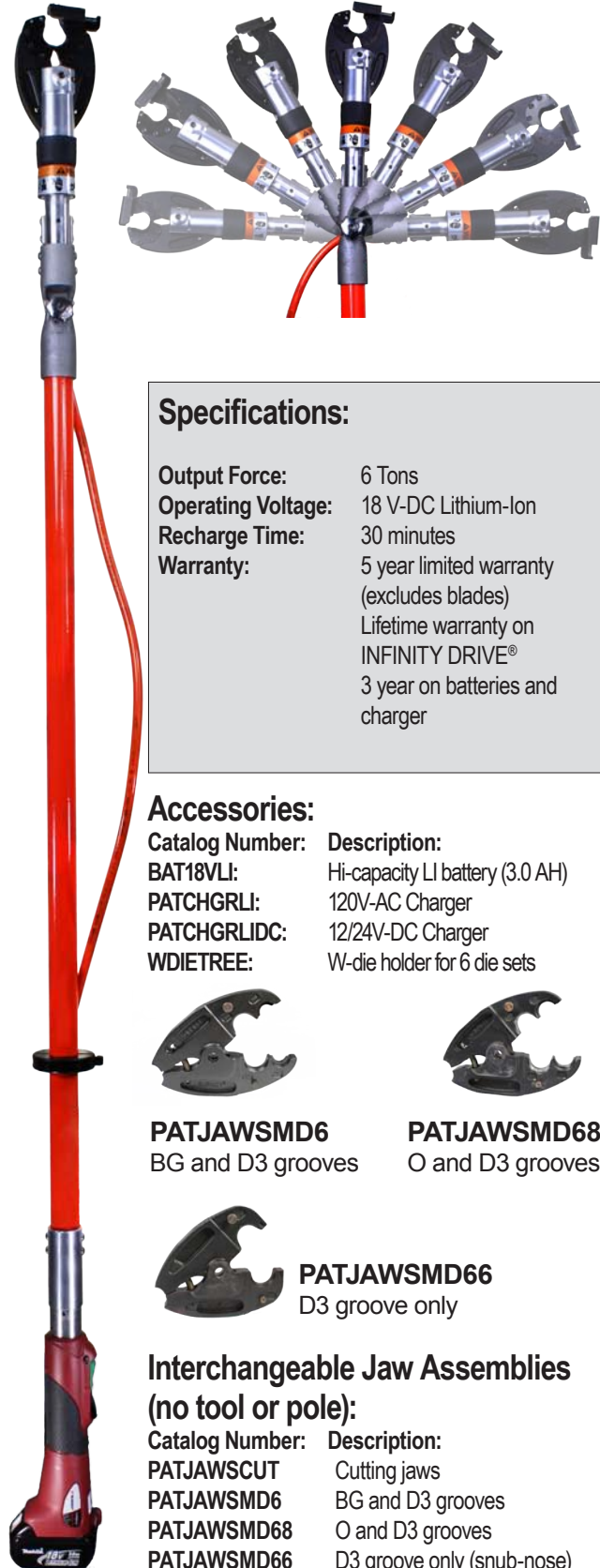
500 kcmil soft drawn copper

Variations: (additional variations may be available)

Catalog Number:	Description:
PATMDCUT82ALLIF	Cutter jaw; 82" F711 Pole
PATMD682ALLIF	Crimp Jaws (BG & D3); 82" F711 Pole
PATMD6882ALLIF	Crimp Jaws (O & D3); 82" F711 Pole
PATMD6682ALLIF	Crimp Jaws (D3 only); 82" F711 Pole

Kits with Tool, Crimping and Cutting Jaws, Pole:

Catalog Number:	Description:
PATMD682ALLIFWCJ	Kit includes crimp head with BG & D3 grooves, cutter jaw, 120V charger and 2 batteries
PATMD6882ALLIFWCJ	Kit includes crimp head with O & D3 grooves, cutter jaw, 120V charger and 2 batteries
PATMD6682ALLIFWCJ	Kit includes crimp head with D3 groove, cutter jaw, 120V charger and 2 batteries

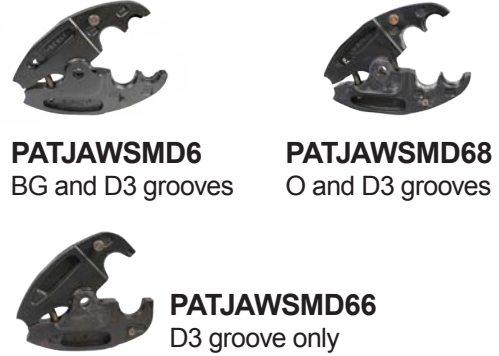


Specifications:

Output Force:	6 Tons
Operating Voltage:	18 V-DC Lithium-Ion
Recharge Time:	30 minutes
Warranty:	5 year limited warranty (excludes blades) Lifetime warranty on INFINITY DRIVE® 3 year on batteries and charger

Accessories:

Catalog Number:	Description:
BAT18VLI:	Hi-capacity LI battery (3.0 AH)
PATCHGRLLI:	120V-AC Charger
PATCHGRLLDC:	12/24V-DC Charger
WDIETREE:	W-die holder for 6 die sets



Interchangeable Jaw Assemblies (no tool or pole):

Catalog Number:	Description:
PATJAWSCUT	Cutting jaws
PATJAWSMD6	BG and D3 grooves
PATJAWSMD68	O and D3 grooves
PATJAWSMD66	D3 groove only (snub-nose)

See Important Notes on Page N-6.

N-82

BCC1000CUAL

Sealed Nickel Cadmium Cutter

Cuts up to 750 kcmil hard drawn copper;
1000 kcmil soft drawn copper; 2" O.D. aluminum

- Hook head design
- Three-way switch
- Hardened steel blades
- Withstands rugged use, resists oil and solvents
- Includes 1 battery, 1 charger, and case

Catalog Number BCC1000CUAL For Use On:

Hard Drawn Copper:
750 kcmil

Soft Drawn Copper:
1000 kcmil

Aluminum:
up to 2" O.D

Do Not Cut Steel or ACSR



Specifications:

Tool Weight:	6.0 lbs
Size:	14.50" x 4.50" x 4.00"
Operating Voltage:	12 V-DC Nickel Cadmium
Recharge Time:	1 hour (fast) to 16 hours (standard)
Warranty:	90 day limited warranty (excluding blades)



Accessories:

Catalog Number:	Description:
BCCBAT12V:	Sealed nickel cadmium battery
BCCCHGR:	120 V-AC Charger
BCCCASE:	Replacement Case for BCC1000CUAL tool
RP50RP03:	Replaceable Moving Blade
RP50RP02:	Replaceable Fixed Blade

YCUT129ACSR

Latch Head Style

Hydraulic Hand Operated Cutter

- Rapid advance pump
- Handle trigger drain
- Interference free closure on mid-span cuts
- 180° head rotation

Catalog Number YCUT129ACSR For Use On:

Copper/Aluminum Cable: up to 1.29"

ACSR: up to 1113 kcmil

Ground Rod: up to 5/8"

Rebar: up to 1/2"

Soft Steel Bolts: up to 5/8"

Standard Guy: up to 1/2"

EHS Guy Strand: up to 3/8"



Specifications:

Output Force:	7 Tons
Weight:	11.4 lbs
Size:	22.50" x 6.63" x 2.50"
Warranty:	5 year limited warranty (excluding blades)

Accessories:

Catalog Number:	Description:
PT10024162:	Carrying Case (included with tool)
PT10037388:	Moving Blade
PT10037384:	Fixed Blade



PT10024162 Hard Polymer Case for YCUT129ACSR

RHCC4CUAL

Scissor Action Cutter

Cuts up to 4.00" Copper / Aluminum Cable

- Specialized scissor head design for interference free closure for mid-span cuts
- High strength hardened steel cutting blades
- 360° swivel hose fitting
- Stainless Steel lifting assist eyebolt
- Light weight ergonomic design



Catalog Number RHCC4CUAL For Use On:

Copper/Aluminum Cable: up to 4.00"

Specifications:

Operating Pressure:	10,000 PSI
Weight:	19.9 lbs
Size:	21.29" x 9.13" x 5.15"
Warranty:	5 year limited warranty (excluding blades)



*BAGCNVS5X9X24 Canvas Bag available separately
(included with tool)*

Accessories:

Catalog Number:	Description:
BAGCNVS5X9X24:	Canvas Bag (included with tool)
RHCC4CUALBLD:	Cutting Blade (one blade; 2 required)
RHCC4CUALGDEBLD:	Blade Guide

**See Hydraulic Pumps and Hydraulic Hoses;
Pump Accessories
for other necessary equipment.**

RHCC2156ACSR

Latch Head, Remote Operated Cutter Cuts up to 2156 kcmil ACSR

- 180° head rotation
- Durable hardened, precision steel blades
- Specialized latch head for mid-span cuts
- Durable canvas carrying bag stores tool and accessories

Catalog Number RHCC2156ACSR For Use On:

Copper/Aluminum Cable: up to 2"

ACSR: up to 2156 kcmil

Ground Rod: up to 3/4"

Rebar: up to 5/8"

Soft Steel Bolts: up to 3/4"

Standard Guy: up to 9/16"

EHS Guy Strand: up to 9/16"

Variations:

Catalog Number:	Description:
RHCC2156ACSR	Standard RHCC2156ACSR remote cutter
RHCC2156ACSRF	RHCC2156ACSR tool with female coupler



*PT10054094 Canvas Bag available separately
(included with tool)*



Specifications:

Operating Pressure:	10,000 PSI
Weight:	10 lbs
Size:	13.17" x 4.13" x 2.69"
Warranty:	5 year limited warranty (excluding blades)

Accessories:

Catalog Number:	Description:
PT10054094:	Canvas Bag (included with tool)
CUT200BLMVBL:	Replacement Moving Blade
CUT200BLSTA:	Replacement Fixed (Stationary) Blade

*See Hydraulic Pumps and Hydraulic Hoses;
Pump Accessories
for other necessary equipment.*

RHCC129ACSR

Latch Head, Remote Operated Cutter
Cuts up to 1.29" Copper / Aluminum Cable

- Interference free closure for mid-span cuts
- Precision cutting blades for clean cuts
- High strength steel cylinder
- Light weight, ergonomic design
- Durable canvas carrying bag stores tool and accessories

Catalog Number RHCC129ACSR For Use On:

- Copper/Aluminum Cable:** up to 1.29"
- ACSR:** up to 1113 kcmil
- Ground Rod:** up to 5/8"
- Rebar:** up to 1/2"
- Soft Steel Bolts:** up to 5/8"
- Standard Guy:** up to 1/2"
- EHS Guy Strand:** up to 3/8"



Specifications:

Operating Pressure: 10,000 PSI
Weight: 5.8 lbs
Size: 11.25" x 3.75" x 3.00"
Warranty: 5 year limited warranty (excluding blades)



PT10043890 Canvas Bag available separately (included with tool)

Accessories:

- | | |
|------------------------|---------------------------------|
| Catalog Number: | Description: |
| PT10043890: | Canvas Bag (included with tool) |
| PT10037388: | Moving Blade |
| PT10037384: | Fixed Blade |
| RHCCHSA: | Hot Stick Adapter |

See Hydraulic Pumps and Hydraulic Hoses; Pump Accessories for other necessary equipment.

RHCC245CUAL

Latch Head, Remote Operated Cutter

Cuts up to 2.45" Copper / Aluminum Cable

- Interference free closure for mid-span cuts
- Precision cutting blades for clean cuts
- Lightweight ergonomic design
- Durable canvas carrying bag stores tool and accessories

Catalog Number RHCC245CUAL For Use On:

Copper/Aluminum Cable: up to 2.45"



Specifications:

Operating Pressure:	10,000 PSI
Weight:	8.3 lbs
Size:	14.87" x 4.75" x 3.00"
Warranty:	5 year limited warranty (excluding blades)



PT10054094 Canvas Bag available separately
(included with tool)

Accessories:

Catalog Number:	Description:
PT10054094:	Canvas Bag (included with tool)
PT10038657:	Moving Blade
PT10040663:	Fixed Blade
RHCCHSA:	Hot Stick Adapter

**See Hydraulic Pumps and Hydraulic Hoses;
Pump Accessories
for other necessary equipment.**

MCC Series

Manual Cable Cutters

MCC600 cuts to 600 kcmil Cu/Al;
MCC1000 cuts to 1000 kcmil Cu/Al

- Rugged, high quality steel cutting blades
- Fiberglass handles with soft grips
- Excellent cutting edge performance
- Minimum of cable distortion

For Use On:

Copper/Aluminum Cable: up to 600 kcmil (MCC600)
up to 1000 kcmil (MCC1000)

Variations:

Catalog Number: MCC600	Description: 3.5 lbs; 21" overall length; cuts copper and aluminum cable to 600 kcmil; max. insulation diameter 1.31"
MCC1000	9.0 lbs; 32" overall length; cuts copper and aluminum cable to 1000 kcmil; max. insulation diameter 1.90"



Specifications (MCC600):

Weight:	3.5 lbs
Size:	21.00 x 5.00" x 2.00"
Max. Insulation Dia.:	1.31"
Warranty:	1 year limited warranty (excluding blades)

Accessories:

Catalog Number:	Description:
MCC600BLADESET:	Replacement blades for MCC600
MCC1000BLADESET:	Replacement blades for MCC1000

RCC - Cu/Al

RCC-Series Ratchet Cutters for Cu/Al

Three variations covering a range of Cu/Al

- Rugged, high quality steel cutting blades
- Excellent cutting edge performance
- Minimum of cable distortion

For Use On:

RCC600E: Copper & Aluminum 600 kcmil

RCC750HD: Copper & Aluminum 750 kcmil

RCC1000: Copper & Aluminum 1000 kcmil

Variations:

Catalog Number: **Description:**
RCC600E 10.5" overall length; cuts copper and aluminum cable to 600 kcmil; max. insulation diameter 1.05"; 1.3 lbs

RCC750HD 10.5" overall length; cuts copper and aluminum cable to 750 kcmil; max. insulation diameter 1.62"; 2.4 lbs

RCC1000 20" overall length; cuts copper and aluminum cable to 1000 kcmil; max. insulation diameter 2.38"; 5.0 lbs



Specifications (RCC600E):

Weight:	1.3 lbs
Length:	10.50" x 4.25" x 1.75"
Max. Insulation Dia.:	1.05"
Warranty:	1 year limited warranty (excluding blades)

Accessories:

Catalog Number:	Description:
RPC701302:	Fixed Replacement Blade for RCC1000
RPC701402:	Moveable Replacement Blade for RCC1000

RCC - Cu/Al, ACSR

RCC-Series Cutters for Cu/Al, ACSR

Three variations covering a range of Cu/Al , ACSR

- Quick release, bi-directional ratchet mechanism
- Rapid blade advance
- Easy cutting with minimal cable distortion

For Use On:

RCC954ACSR1K: Copper 1000 kcmil;
Aluminum 1000 kcmil;
ACSR 954 kcmil

RCC556: Copper 500 kcmil;
Aluminum 500 kcmil;
ACSR 556 kcmil

RCC336: Copper 350 kcmil;
Aluminum 500 kcmil;
ACSR 336 kcmil

Variations:

Catalog Number: **Description:**
RCC954ACSR1K 22.75" overall length; 1.38" max. insulation diameter; 6.5 lbs

RCC556 20" overall length; 1.25" max. insulation diameter; 4.5 lbs

RCC336 10.5" overall length; .74" max. insulation diameter; 1.2 lbs



Specifications (RCC954ACSR1K):

Weight:	6.5 lbs
Size:	22.75" x 7.00" x 1.88"
Max. Insulation Dia.:	1.38"
Warranty:	1 year limited warranty (excluding blades)

Accessories:

Catalog Number:	Description:
RPC705501:	Fixed Replacement Blade for RCC556
RPC705601:	Moveable Replacement Blade for RCC556
RPC902101:	Fixed Replacement Blade for RCC336
RPC902201:	Moveable Replacement Blade for RCC336

RWRC Series

Ratchet Wire Rope Cutters
 Cuts Mild and Stainless Steel

- Hardened steel blades
- Rapid blade advance
- Reduced handle force compared to scissor or compound action designs

For Use On:

RWRC916: Mild Steel: 9/16" diameter
 Stainless Steel: 1/2" diameter

RWRC516: Mild Steel: 5/16" diameter
 Stainless Steel: 1/4" diameter

Variations:

Catalog Number: **Description:**
RWRC916 20" overall length; 9/16" diameter Mild
 Steel; 1/2" diameter Stainless Steel; 4.4 lbs

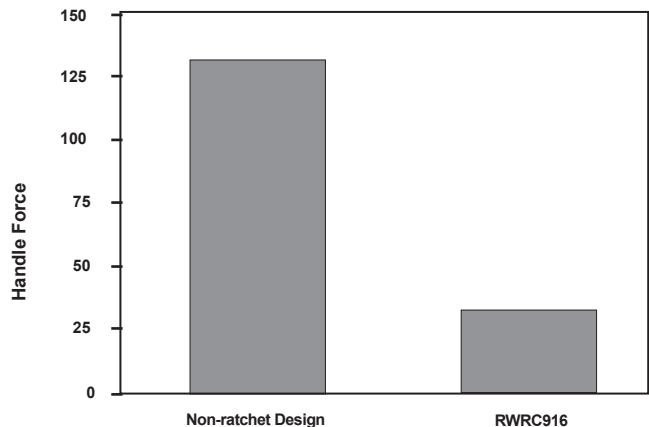
RWRC516 10" overall length; 5/16" diameter Mild
 Steel; 1/4" diameter Stainless Steel; 1.2 lbs



Specifications (RWRC916):

Weight: 4.4 lbs
Size: 20.00" x 9.00" x 2.00"
Mild Steel Dia.: 9/16"
Stainless Steel Dia.: 1/2"
Warranty: 2 year limited warranty (excluding blades)

1/4" Dia. Wire Rope



Y10AC9

Electric Hydraulic Pump; 10,000 PSI
Light weight, space saving design

- Easy to carry and transport
- Factory set relief valve
- 100,000+ life cycles
- Sealed electric pendant switch with 10-foot cord



For Use With:

Y10AC9: 10,000 PSI electric pump
Used with: Y34BH, Y35BH, Y35BH4, Y39BH, Y45, Y46, Y46C, Y750BHXT, Y750CBHXT, Y644MBH, Y4PC834MBH, Y81KFTMBH, Y60BHU, Y60LW, RHCC Series Cutters

Variations:

Catalog Number:	Description:
Y10AC9	Electric hydraulic pump
Y10AC9OEM	Electric hydraulic pump with foot switch; pump features "Jog & Hold"

Specifications:

Weight:	28.0 lbs (including oil)
Motor:	115V-AC 50/60 Hz 5/8 HP, 10,000 RPM
Height:	14.38"
Base:	18.00" x 8.75" x 6.50"
Max. Current Draw:	11 amp
Reservoir Volume:	1.61 quarts
Warranty:	5 year limited warranty

Examples of some of the remote crimping and cutting heads for use with Y10AC9 pump

Accessories:

Catalog Number:	Description:
YACCASE:	Steel carrying case with handle and locking latch
YACFC:	Foot control switch

See Hydraulic Hoses; Pump Accessories for Hose options



Y60LW

RHCC129ACSR



Y4PC834MBH



RHCC10ACSR

EPP10

Electric Hydraulic Pump; 10,000 PSI

Also available in 6,000 PSI

- Lightweight, small size
- 100,000+ life cycles
- Durable remote pendant switch

Variations / For Use With:

Catalog Number EPP10: 10,000 PSI electric pump
Used with: Y34BH, Y35BH, Y35BH4, Y750BHXT,
 Y750CBHXT, Y39BH, Y45, Y46C, Y46,
 Y60BHU, Y60LW, Y644MBH,
 Y4PC834MBH, Y81KFTMBH,
 RHCC Series Cutters

Catalog Number EPP6: 6,000 PSI electric pump
Used with: Y29BH, Y35L

Examples of some of the remote crimping and cutting heads for use with EPP10 pump



RHCC245CUAL

Y750BHXT

Y81KFTMBH



Y644MBH



Specifications:

Motor:	115V-AC/60 Hz 1/2 HP @ 3450 RPM
Max. Current Draw:	12.5 amperes
Weight:	30.0 lbs
Base:	18.00" x 8.00" x 6.00"
Height:	16.00"
Reservoir Volume:	2 quarts
Warranty:	5 year limited warranty

Accessories:

Catalog Number:	Description:
EPPCASE1:	Steel carrying case with handle, locking latch
PT9711:	Pendant switch

See Hydraulic Hoses; Pump Accessories for Hose options

EP10

Electric Hydraulic Pump; 10,000 PSI

Also available in 6,000 PSI

- Dual voltage / hertz
- Oil level window
- 8 quart reservoir

Variations / For Use With:

Catalog Number: Description:

EP10: 10,000 PSI electric pump; 1/2 HP 115/230 V-AC; 60 cycle

Used with: Y34BH, Y35BH, Y35BH4, Y750BHXT, Y750CBHXT, Y39BH, Y45, Y46C, Y46, Y60BHU, Y60LW, Y644MBH, Y4PC834MBH, Y81KFTMBH, RHCC Series Cutters

EP101HP: 10,000 PSI electric pump; 1 HP 115/230 V-AC; 60 cycle

Used with: Y34BH, Y35BH, Y35BH4, Y750BHXT, Y750CBHXT, Y39BH, Y45, Y46C, Y46, Y60BHU, Y60LW, Y644MBH, Y4PC834MBH, Y81KFTMBH, RHCC Series Cutters

EP101HP2: 10,000 PSI electric pump; 1/2 HP 220/230 V-AC; 50/60 cycle

Used with: Y34BH, Y35BH, Y35BH4, Y750BHXT, Y750CBHXT, Y39BH, Y45, Y46C, Y46, Y60BHU, Y60LW, Y644MBH, Y4PC834MBH, Y81KFTMBH, RHCC Series Cutters

EP102: 10,000 PSI electric pump; 1/2 HP 220/230 V-AC; 50/60 cycle

Used with: Y34BH, Y35BH, Y35BH-4, Y750BHXT, Y750CBHXT, Y39BH, Y45, Y46C, Y46, Y60BHU, Y60LW, Y644MBH, Y4PC834MBH, Y81KFTMBH, RHCC Series Cutters

EP6: 6,000 PSI electric pump

Used with: Y35L, Y29BH



Specifications:

- Motor:** 1/2 HP 115/230V-AC, 60 Cycle; 1/2 HP @ 3450 RPM
- Max. Current Draw:** 10 amperes
- Reservoir Volume:** 8 quarts max; 2 quarts min.
- Height:** 17.50"
- Base:** 11.75" x 18.50"
- Dry Weight:** 68.0 lbs (86.0 lbs with max. fluid)
- Warranty:** 5 year limited warranty

Accessories:

See Hydraulic Hoses; Pump Accessories for Hose options

EPAC10

Electric Hydraulic Pump; 10,000 PSI

Also available in 6,000 PSI

- Roll cage
- 3 position switch and control box
- Full automatic or manual "Jog and Hold" cycles
- Windows allow easy inspection of proper oil level



Variations / For Use With:

Catalog Number: Description:
EPAC10: 10,000 PSI electric pump
Used with: Y34BH, Y35BH, Y35BH4, Y39BH, Y45, Y46, Y46C, Y750BHXT, Y750CBHXT, Y644MBH, Y4PC834MBH, Y81KFTMBH, Y60BHU, Y60LW, RHCC Series Cutters

EPAC6: 6,000 PSI electric pump
Used with: Y29BH, Y35L

Specifications:

Motor: 1/2 HP 115/230V-AC, 60 Cycle; 1/2 HP @ 3450 RPM
Max. Current Draw: 10 amperes
Reservoir Volume: 8 quarts max; 2 quarts min.
Height: 17.50"
Base: 11.75" x 18.50"
Dry Weight: 68.0 lbs (82.0 lbs with max. fluid)
Warranty: 5 year limited warranty

Examples of some of the remote crimping and cutting heads for use with EPAC10 pump

Accessories:

See Hydraulic Hoses; Pump Accessories for Hose options



Y60LW



Y81KFTMBH



RHCC129ACSR

HP10 and FP10

Manual Hydraulic Pump; 10,000 PSI
Also available in 6,000 PSI

- Solid base with broad leg stabilizers
- Quick disconnect hydraulic fitting
- Built in handle for easy transport
- Factory set pressure release valve with audible click
- Quality, heavy duty foot pad with diamond plate steel (FP10)

Variations / For Use With:

Catalog Number:	Description:
HP10:	10,000 PSI hand pump
Used with:	Y34BH, Y35BH, Y35BH4, Y750BHXT, Y750CBHXT, Y39BH, Y45, Y46C, Y46, Y644MBH, Y4PC834MBH, Y81KFTMBH, RHCC Series Cutters
HP6:	6,000 PSI hand pump
Used with:	Y29BH, Y35L
FP10:	10,000 PSI foot pump
Used with:	Y34BH, Y35BH, Y35BH4, Y750BHXT, Y750CBHXT, Y39BH, Y45, Y46C, Y46, Y644MBH, Y4PC834MBH, Y81KFTMBH, RHCC Series Cutters
FP6:	6,000 PSI foot pump
Used with:	Y29BH, Y35L



HP10 Hand Pump

Specifications:

Weight:	18.0 lbs
Size:	24.75" x 6.75" x 3.00"
Height (open):	20.00"
Reservoir Volume:	1-1/8 quarts
Warranty:	5 year limited warranty

Accessories:

Catalog Number:	Description:
BP10PADKIT:	Extended leg pad stabilizers (includes hardware)

See Hydraulic Hoses; Pump Accessories for Hose options

GP10

Gas Driven Hydraulic Pump; 10,000 PSI Heavy Duty 4 Horse Power gasoline engine

- Sturdy steel roll cage design
- Manual control valve
- Fast hose assembly; quick disconnect hydraulic coupler
- Large 8 quart reservoir

For Use With:

Catalog Number GP10:

10,000 PSI; 4 HP engine, 4 cycle

Used with: Y34BH, Y35BH, Y35BH4, Y750BHXT, Y750CBHXT, Y39BH, Y45, Y46C, Y46, Y60BHU, Y60BHUD, Y60LW, Y644MBH, Y4PC834MBH, Y81KFTMBH, RHCC Series Cutters



Specifications:

Engine:	4 H.P.; 4 Cycle
Weight:	77.8 lbs (overall dry weight)
Size:	21.00" x 22.25" x 16.00"
Reservoir Volume:	8 quarts
Warranty:	5 year limited warranty

Examples of some of the remote crimping and cutting heads for use with GP10 pump

Accessories:

See Hydraulic Hoses; Pump Accessories for Hose options



Y60LW



Y750BHXT



Y644MBH

Hydraulic Hoses

10,000 PSI Non Conductive Hoses

- 3 lengths available in 2 diameters
- Orange
- Stackable couplers (male/female)

Variations:

Catalog Number:	Description:
PT2990010	10' length; 3/16" diameter
PT2990015	15' length; 3/16" diameter
PT2990025	25' length; 3/16" diameter
PT2990110	10' length; 1/4" diameter
PT2990115	15' length; 1/4" diameter
PT2990125	25' length; 1/4" diameter

Notes:

For proper care and maintenance of hydraulic hoses, consult the **Hydraulic Hose Care Manual; Form #7828**.

1/4" diameter (available for 10,000 PSI only) hose provides a higher flow rate for faster ram movement.



6,000 PSI Non Conductive Hoses

- 3 lengths available
- Orange
- Stackable couplers (male/female)

Variations:

Catalog Number:	Description:
PT2990210	10' length; 3/16" diameter
PT2990215	15' length; 3/16" diameter
PT2990225	25' length; 3/16" diameter

Hydraulic Hoses

10,000 PSI Conductive Hose

- Stackable couplers (male/female)
- Steel braided with steel spring reinforced ends
- Black

Variations:

Catalog Number: PT91
Description: 8' length; steel braided with steel spring reinforced ends; stackable couplers (male/female); Black. No electrical rating.
DO NOT USE ON ENERGIZED CONDUCTOR

Notes:

For proper care and maintenance of hydraulic hoses, consult the **Hydraulic Hose Care Manual; Form #7828**.



8,800 PSI Conductive Hose

- Stackable couplers (male/female)
- Steel braided with steel spring reinforced ends
- Black

Variations:

Catalog Number: PT76
Description: 8' length; steel braided with steel spring reinforced ends; stackable couplers (male/female); Black. No electrical rating.
DO NOT USE ON ENERGIZED CONDUCTOR

Accessories



PT290741 Insulated Hose Carrying Bag

- Designed for protection and cleanliness for non conductive hoses; maximum carrying capacity of 10 lbs.
- Accommodates 100 feet of non-conductive hose coiled to 17-1/2" OD and 3-3/4" wide



ALFLUID™ Hydraulic Fluid for Pumps

- ALFLUIDQT is quart size; ALFLUIDGAL is gallon size
- All weather hydraulic fluid for BURNDY® pumps types HP hand pump, FP foot pump, GP gasoline pump, and EPP electric pump



PT93 (Male) and PT94 (Female)

- Replacement couplers for 10,000 PSI operating pressure (sold separately)



PT11018 In-Line Pressure Gauge for 10,000 PSI Hydraulic Pumps

- Pressure gauge for 10,000 PSI operating hydraulic pumps



PT29091 (Male) and PT292141 (Female)

- Replacement couplers for 6,000 PSI operating pressure (sold separately)

MD6/MD7 Related



MD6CP1 Protective Jaw Covers

- Laminated vinyl jaw covers, supplied as set
- Compact, snap in place easily
- Fits all styles except Snub-Nose variations



PT4925 Canvas Bag

- Sturdy canvas bag for MD6/MD7 tool variations with or without covers in place
- Holds up to 9 die sets (sold separately)



PT6744 Jaw Cover (Snub-Nose)

- Semi-rigid Neoprene non-conductive material
- Fits all MD66 Snub-nose variations



PT49521 Steel Carrying Case

- Provides storage for the following: MD6, MD66, MD68, MD614, MD637, MD638, MD7, and MD76 with or without covers (sold separately)
- Holds up to 18 die sets (sold separately)



PT49311 Die Button Repair Kit

- Replacement die button kit for MD6/MD7 tool variations



PT6733 Hotstick Tool Carrying Bag

- Heavy-duty, adjustable canvas bag
- Accommodates 48", 60" and 72" variations of the MD6 and Y35 Hotstick tools

Accessories



PT6545 Die Case for S or P Style Die Sets

- Metal carrying case
- Accommodates 8 S or P Style Die Sets typically used with the Y45 and Y46 series of tools



PT29291 Carry Case for U Dies

- Steel case design for storage and protection of U dies
- Accommodates 15 die sets (standard or wide width U dies)
- Case is 9-1/2" x 6" x 1-1/2"
- Die sets sold separately



HYFLUID™ Hydraulic Fluid for HYPRESS™ Hand Tools

- HYFLUIDQT - quart size; HYFLUIDGAL - gallon size
- Hydraulic fluid for HYPRESS™ hand tools types Y35, Y352, Y39, Y750HSXT, and Y750CHSXT

Y35/Y39REPKITA Seal Repair Kit

- Seal repair kit for Y35 or Y39 tools

Steel Carrying Cases for Y35 & Y352

- PT2972 - steel carrying case for Y35 tool
- PT29360 - steel carrying case for Y352 tool



PT294021

**Adjustable Head Grip for Hot Stick
PT294021 for Y35 and Y750 remote
tools PT10128 for Y46**

- Adjustable head grip for joining HYPRESS™ heads to universal hot sticks

FORCEGAUGE1215

Force Test Gauge for 12 & 15 ton tools

Use with PAT46*, PAT750, Y750 and Y35

- Custom U die blanks with detent
- Accommodates 12 ton or 15 ton tools
- Comes with custom polymer-based carry case to protect blanks and gauge

* PUADP1 adaptor required with PAT46 tool



FORCEGAUGE1215 with die blanks (included)



*FORCEGAUGE1215 in case
(all items included)*

Gauge Specifications:

Weight: 2.7 lbs (4.5 lbs for entire kit)
Size: 8.30" x 4.30" x 1.50"
Warranty: 1 year limited warranty

PT292792 Force Test Gauge for Y39

- For Y39 HYPRESS™ tools
- Not recommended for remote powered heads
- Easy to read dial; includes operating and maintenance manual and test dies



Gauge Specifications:

Weight: 2.7 lbs
Size: 9.25" x 3.88" x 2.00"
Warranty: 1 year limited warranty

WIREMIKE™

Stainless Steel Wire Micrometer

Available in a variety of formats

- Strong, durable, high quality
- Most formats:
 - Allows for use as both caliper and ruler
 - Measures I.D. and O.D. of tubing
 - Measures thin-wall and rigid conduit including IPS
 - Measures ACSR, stranded and solid commercial cables

Catalog # WIREMIKE, WIREMIKED and RK1942 are for use on:

ACSR

#6 to 336.4 (26/7) Stranded

Stranded AWG

#18 to 2000 kcmil

Solid

#20 to 4/0 AWG

IPS Tubing (Cu/Al) and Rigid Conduit:

1/4" to 2-1/2"

Tubing Sizes:

3-1/8" inside maximum; 2-15/16" outside maximum

Thin-wall Conduit:

3/8" to 2-1/2"

Catalog # WIREMIKECI is for use on:

Compression Connectors and Splices (including Compression Grounding)

- #18 to 2500 kcmil Copper Class B
- #10 to 4/0 Solid Aluminum / Copper
- #18 to 3500 kcmil Concentric Aluminum
- #8 to 1100 kcmil Compact Aluminum
- #14 to 1111 kcmil Copper DLO

Also used for reference only* for inspection of completed crimp when using Butting Copper or Aluminum Dies with the 750, 46, 35, or 39 series of tools.

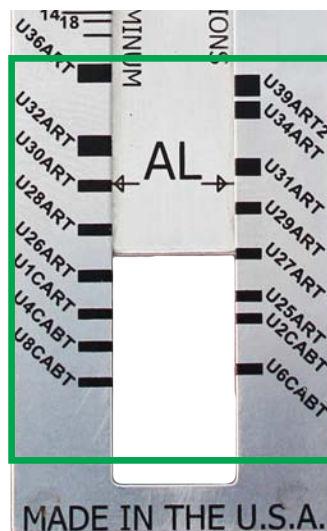
- Copper Dies U8CRT to U44XRT
- Aluminum Dies U8CABT to U39ART-2



WIREMIKE

Variations:

Catalog Number:	Description:
WIREMIKE	Stainless Steel, inch/fraction markings
WIREMIKECI	Stainless Steel, no ruler capabilities but may be used for reference on specific completed crimps (see more detail to left for WIREMIKECI)
WIREMIKED	Stainless Steel, decimal markings in place of fraction markings, same capabilities as catalog # WIREMIKE™
RK1942	Convenience packaging of WIREMIKE™ (with inch markings) in packaging suitable for hanging on a rack; sold in multiples of 10 only



Close up for the Die Inspection Section (Used for Reference Only) Catalog # WIREMIKECI only*

*WIREMIKECI tool is to provide measurements for reference only, not to confirm the suitability of connection. Customer is responsible to independently verify suitability of connection.

BTW Series

Micro-Adjustable Professional Grade Hand-operated "Click-Type" Torque Wrenches

- Ratcheting, calibrated, dual direction
- Positive lock with spring-loaded pull-down lock ring
- Individually serialized with matching certificate of calibration traceable to N.I.S.T.
- ASME B107.14M-1994 and ISO 6789

For Use On:

Any mechanical connection with torque values within range of specific torque wrench. Including, but not limited to:

Types: SERVIT®, OKLIP™, VERSITAP™, SCRULUG™, Lay-In QIKLUG™, VARITAP™, VARILUG™, KA-U Universal Terminals, UNITAP™, POLYTAP™, BARTAP™, Type BIPC, Terminal Blocks, U-BLOK™, SPEC-BLOK™, VERSIPOLE™

Variations:

Catalog Number:	Description:
BTW30150	Torque range 30 - 150 in-lbs; 10.25" long; 3/8" drive
BTW150750	Torque range 150 - 750 in-lbs; 16.00" long; 3/8" drive
BTW1575F12	Torque range 15 - 75 ft-lbs; 16.00" long; 1/2" drive



Specifications:

Accuracy:	±4% clockwise; ±6% counter clockwise of indicated value clockwise, from 20% to 100% of full scale
Applicable Standards:	ASME B107.14M-1994; ISO 6789
Calibration:	Traceable to N.I.S.T.
Warranty:	1 year limited warranty



WEJTAP™ Tooling



WTB

- WEJTAP™ patented tool body
- One piece assembly
- Installs WEJTAP™ and STIRRUP™ connectors #8 AWG - 1590 kcmil ACSR with applicable tool head



WTHY1S

- WEJTAP™ tool head
- Installs medium and large (yellow coded) connectors



WTHRBY1S

- WEJTAP™ tool head
- Installs small and medium (red/blue coded) connectors

Accessories



WTBASY

- WEJTAP™ ram replacement assembly

WEJTAP™ Boosters



- The WEJTAP™ System requires use of boosters for installation of connectors (red, blue, and yellow boosters match connectors)
- Boosters are available packaged with connectors and also sold separately

Red: WPBRNBOX25
Blue: WPBBNBOX25

Yellow: WPBYNBOX25

WTOCBR and WTOCY



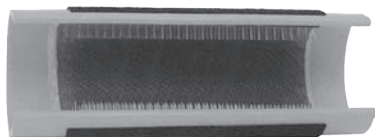
- WEJTAP™ removal clip for red/blue connectors (WTOCBR) with WTHRBY1S tool head
- WEJTAP™ removal clip for yellow connectors (WTOCY) with WTHY1S tool head



WTCK

- WEJTAP™ tool cleaning/maintenance kit for use with type WTB tool body
- Comes in clear carrying bag

Accys & Kits



WHHWB

- Hand-held wire brush for cleaning surface contact areas on non-energized conductors



WTCC

- Plastic carrying case only; designed for rugged use in all weather conditions
- Accommodates WEJTAP™ installation tool, removal clips, and cleaning kit (sold separately)



WABAG

- Durable bag designed to carry installation tool(s), removal clips, cleaning kit, and hotstick accessories; Holders for power boosters located on outside of bag (all sold separately)

WEJTAP™ Kits with contents shown below

	*Non-Hotstick Power Unit	Hotstick Power Unit	Self-Firing Tool	Large Frame (Yellows)	Large Frame Take Off Clip	Small Frame (Red, Blue)	Cleaning Kit	Small Frame Take Off Clip	Molded Carrying Case	Canvas Style Tool Bag
Component Kit Catalog No.	WTBNHS*	WTB	WTBGBW	WTHY1S	WTOCY	WTHRB1S	WTCK	WTOCBR	WTCC	WABAG
WT2B2RBYWABAG		2		1	1	1	1	1		1
WT2BRBYWABAG		2				1	1	1		1
WTRBYK		1		1	1	1	1	1	1	
WTRBYKNHS	1			1	1	1	1	1	1	
WTYK		1		1	1		1			
WTYKNHS	1			1	1		1			
WTRBK		1				1	1	1	1	
WTRBKNHS	1					1	1	1	1	
WT2BRBYK		2		1	1	1	1	1	1	
WTY		1		1			1			
WTRB		1				1	1			
WTYWABAG		1		1	1		1			1
WTYKNHSBAG	1			1	1		1			1
WTRBWABAG		1				1	1	1		1
WTRBKNHSBAG	1					1	1	1		1
WTBGBWRBYK			1	1	1	1	1	1	1	
WTRBYWABAG		1		1	1	1	1	1		1
WTRBYKNHSBAG	1			1	1	1	1	1		1

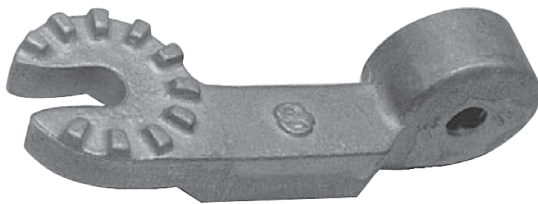
*Note: Non-hotstick power units do not contain features allowing activation with hotsticks; they are not upgradeable.

Hotstick Accys



WHSCWH

- Hotstick connector clamp holds tap connector and wedge for installation on energized lines with shotgun hotstick



WHSPBC

- Hotstick dual cable clamp to hold run and tap conductors in place during installation; for all applications #8-1272 ACSR

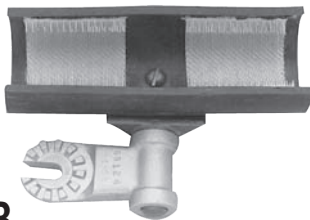


WHSWHADP

- Hotstick angle wedge holder adapter attaches wedge clamp to universal hotstick for hotline installation

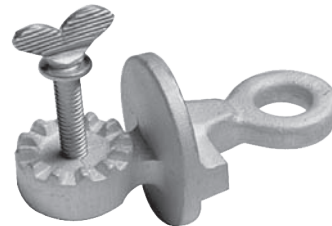
WCHAWAS

- Hotstick angle wedge holder adapter attaches wedge clamp to universal hotstick for installation using shotgun stick



WHSWB

- Hotstick wirebrush attaches to universal hotstick for cleaning the contact surface of the line conductor



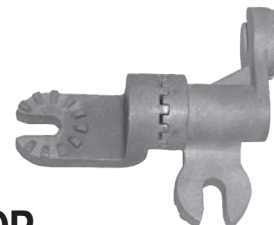
WHSGB

- Hotstick breech drive; geared shotgun hotstick adapter latches to breech end of tool without disassembly for use on energized lines



WHSTA

- Hotstick tool (actuator) hammer attaches to universal hotstick for striking the actuator button to complete installation



WHSSADP

- Hotstick spring loaded 90 degree adapter; used to attach tool to universal hotstick for hotline installations

Auger Bits

DOMINATOR Auger Bits

- Single Flute
- Hardened Steel Tip
- Aggressive lead screw
- Cuts hardest of woods with very fast drilling
- Self-feeding
- 100+ Holes



Close up of
DOMINATOR lead
screw



For Use On:

Treated Wood

		TREATED WOOD
OAL	DIA	DOMINATOR
18"	9/16"	LPHTBIT91618D
18"	5/8"	LPHTBIT5818D
18"	11/16"	LPHTBIT111618D
18"	3/4"	LPHTBIT3418D
18"	13/16"	LPHTBIT131618D
18"	15/16"	LPHTBIT151618D
24"	11/16"	LPHTBIT111624D
24"	13/16"	LPHTBIT131624D
24"	15/16"	LPHTBIT151624D



HIW716MAG Hydraulic
Impact Wrench



HIW716ENF Hydraulic
Impact Wrench

N-110

HIW716ENF

ENFORCER® Hydraulic Impact Wrench
Variable Torque; 7/16" Quick Chuck

- Industry exclusive torque selector allows switching between 200 and 515 ft-lb torque settings
- Dual spool selector for Open and Closed systems
- Cartridge style valves for greater accuracy
- Internal safety relief valve

Variations:

Catalog Number:	Description:
HIW716ENFKIT1	Wrench, eyelet
HIW716ENFKIT2	Wrench, eyelet, flat face couplers
HIW716ENFKIT3	Wrench, flat face couplers
HIW716ENFTG	Wrench, trigger guard
HIW716ENFTGKIT1	Wrench, trigger guard, flat face couplers



HIW716ENFTGKIT1 Hydraulic Impact Wrench shown with trigger guard, adaptors and couplers

See our complete line of Auger Bits



Specifications:

Chuck Type:	7/16" Quick Change
Opt. Pressure:	750-2000 PSI
Flow Range:	4-12 GPM
Opt. Flow Range:	4-8 GPM
Weight:	6.0 lbs
Torque:	515 ft-lbs
Size:	9.00" x 7.75" x 3.12"
Warranty:	5 year limited warranty

Accessories:

Catalog Number:	Description:
HIW716ENFTGKIT:	Trigger guard assembly kit
LPHTADPMMOP66:	Male to male adaptor for use with couplers listed below *(Qty. 2)
LPHTHTMANOSE66:	Male coupling 3/8" NPT *(Qty. 1) per tool Qty. 2 per hose
LPHTHTMABODY66:	Female coupling 3/8" NPT *(Qty. 1) per tool Qty. 2 per hose
LPHTHOSNCR66668:	3/8" X 8' hose set *(Qty. 1)
LPHTHOSNCR666610:	3/8" X 10' hose set *(Qty. 1)

*(Recommended quantity for use with HIW716ENF)

See Low Pressure Hydraulic Accessories for additional options

HIW716MAG

MAG Series, Hydraulic Impact Wrench Machined Aluminum, Gerotor Design

- Aircraft grade extruded aluminum body, forged handle
- CNC machined parts
- Frictionless gerotor motor
- Cartridge style valve
- 7/16" Tri-ball quick change chuck
- Dual spool selector for Open & Closed systems
- "Glove-sized" wide grip activation trigger
- Inlet/Outlet SAE 6 adapters
- Reverse flow and hook-up protection
- Injection molded thermally insulated textured comfort grips
- Forward/Reverse selector

Variations:

Catalog Number:	Description:
HIW716MAGKIT1	Wrench, flat face couplers
HIW716MAGKIT2	Wrench, swivels, 8' NCR hose, flat face couplers
HIW716MAGKIT3	Wrench, swivels, 10' NCR hose, flat face couplers
HIW716MAGKIT4	Wrench, flat face couplers, trigger guard
HIW716MAGKIT5	Wrench, flat face couplers, trigger guard, handle



Specifications:

Chuck Type:	7/16" Tri-ball quick chuck
Opt. Pressure:	1,000 - 2,000 PSI
Flow Range:	4 - 12 GPM
Opt. Flow Range:	4 - 8 GPM
Weight:	7.6 lbs
Torque:	550 ft-lbs
Size:	9.62" x 9.00" x 3.62"
Warranty:	5 year limited warranty

Accessories:

Catalog Number:	
LPHTADPMM71612	7/16" quick chuck to 1/2" square drive adapter
LPHTADPMMOP66 (2 required)	SAE #6 to 3/8" NPT male-to-male adaptor
LPHTHTMANOSE66	3/8" male coupler (flat face) with 3/8" NPT (female thread)
LPHTHTMABODY66	3/8" female coupler (flat face) with 3/8" NPT (female thread)
LPHTHOSNCR66668	3/8" X 8' hose set
LPHTHOSNCR666610	3/8" X 10' hose set
LPHTADPSMFOP66 (2 required)	SAE swivel adaptor



MAGHOLSTER
(tool not included)

Also see our full line of Auger Bits!

See Low Pressure Hydraulic Accessories
for additional options

LPHY750XT

**KOMPRESSOR™ Remote Operated
12 Ton Low Pressure Hydraulic Compression Tool**

- Visual and audible crimp indicator
- 1.65" jaw opening covers a range of applications
- 350° head rotation
- Uses all standard BURNDY® U dies
- Crimp time approximately 2 seconds



LPHY750XT shown with couplers (sold separately)

For Use On:

Tension Sleeves

Copper	#8 sol. - 500 kcmil
Aluminum	#8 sol. - 587.2 kcmil
ACSR	#4 - 556.5 kcmil

Taps

Copper	#14 sol. - 500 kcmil
Aluminum	#8 - 500 kcmil

Aerial Cable

Copper	#6 - 500 kcmil
--------	----------------

Terminals & Splices

Copper	#8 - 750 kcmil
Aluminum	#8 - 750 kcmil
ACSR	#4 - 556.5 kcmil

HYGROUND® (Compression Grounding)

Copper	#8 - 500 kcmil
Ground Rods	1/2" - 1" diameter

Variations:

Catalog Number:	Description:
LPHY750XT	Standard KOMPRESSOR™ tool
LPHY750CXT	LPHY750XT with molded rubber covering
LPHY750K	LPHY750XT with KEARNEY head

Specifications:

Flow Rate:	3 - 9 GPM (11 - 34 LPM)
Operating Pressure:	1,500 - 2,500 PSI (103 - 172 BAR)
Force Developed:	12 Tons
Die Style:	U dies
Jaw Opening:	1.65"
Weight:	21.0 lbs (9.5 kg)
Size:	20.75" x 15.00" x 12.00"
Max. Back Pressure:	250 PSI (17 BAR)
Warranty:	5 year limited warranty

Accessories:

Catalog Number:	Description:
LPHTHOSNCR66668OP:	Direct connect 8' non-conductive hose set
LPHTHOSNCR666610OP:	Direct connect 10' non-conductive hose set
LPHTHOSNCR66668:	*8' non-conductive hose set
LPHTHOSNCR666610:	*10' non-conductive hose set
LPHTHTMANOSE66:	Male coupler 3/8" HTMA
LPHTHTMABODY66:	Female coupler 3/8" HTMA
LPHTADPSMFOP66:	Swivel Adapter

*These hoses are used with LPHTADPSMFOP66 swivel adapter

**See Low Pressure Hydraulic Accessories
for additional options**

HBR Series

Hydraulic Breakers

Light/Medium Duty (HBR40)

Medium/Heavy Duty (HBR66)

- Control trigger built into handle
- Provided with 18" braided whip hoses (couplers ordered separately)
- Standard tool attachment mechanism allows use of all standard tool bits

Variations:

Catalog Number: HBR40
Description: Light to Medium Duty Hydraulic Breaker
Performance: 45-55 lb class breakers;
Weight: 40 - 48 lbs.; Length: 25";
Tool Steel Capacity: 1" x 4-1/4"

HBR66 Medium to Heavy Duty Hydraulic Breaker
Performance: 60 - 80 lb class breakers;
Weight: 50 - 67 lbs.; Length: 27" to 35";
Tool Steel Capacity: 1-1/4" x 6"



HBR40 Light and Medium Duty Hydraulic Breaker



HBR66 Medium and Heavy Duty Hydraulic Breaker

Specifications:

Flow:	4 - 7 GPM (15 - 27 LPM)
Optimum Flow:	4 GPM (15 LPM)
Pressure:	1200 - 2000 PSI (85 - 140 BAR)
Max. Back Pressure:	150 PSI (11 BAR)
Whip Hoses:	18" with 3/8" NPT fittings
Warranty:	5 year limited warranty

Accessories:

See Low Pressure Hydraulic Accessories for options

Submersible Pumps

**Fully Submersible,
1,000-2,000 PSI Pumps**
Provided with whip hoses

- Self-lubricating design
- Totally submersible
- Can run dry without damage
- Open/Closed Center operation

Variations:

Catalog Number: Description:

HTP3 3" Submersible pump; 7-10 GPM flow; 40 lbs.; Pump capacity: 500 GPM (1900 LPM); Gear Motor; 3" Male Cam-lock; 40' maximum lift; 1/2" x 14 (#8) NPT (F)

HP2HV Submersible pump adaptable to 2" or 2-1/2" discharge; 4-9 GPM flow; 13 lbs.; Pump capacity: 340 GPM; Gerotor Motor



HTP3

Accessories:

Catalog Number: **Description:**
HOSE325: 25 ft. long hose (for HTP3)
HOSE350: 50 ft. long hose (for HTP3)

HP2CAMLOCKHOSESET: Hose Set Kit (for HP2HV)
HOSE2: 25 ft. long hose (for HP2HV)

See Low Pressure Hydraulic Accessories for additional options



HP2HV

HPT-R1 Series

Low Pressure Hydraulic Pole Tampers

Available with or without On/Off Valve

- Patented valving prevents impacting of ram within tamper
- Stroke amplitude of 1-5/8"
- Stroke frequency of 1375 blows/min
- Interchangeable heavy duty tamper shoes (sold separately)

Variations:

Catalog Number:	Description:
HPT60R1	60" length; 29 lbs; with On/Off valve
HPT72R1	72" length; 30 lbs; with On/Off valve
HPT84R1	84" length; 32 lbs; with On/Off valve
HPT96R1	96" length; 34 lbs; with On/Off valve
HPT59R1	59" length; 26 lbs; without On/Off valve
HPT71R1	71" length; 28 lbs; without On/Off valve
HPT83R1	83" length; 31 lbs; without On/Off valve



Hydraulic Tamper with On/Off Valve



Hydraulic Tamper without On/Off Valve

TSKD
Kidney Tamper Shoe

TSSQ
Square Tamper Shoe

Specifications:

Flow:	4-10 GPM (15-38 LPM)
Pressure:	1000-2000 PSI (70-140 BAR)
Max. Back Pressure:	250 PSI (17 BAR)
Operation:	Open/Closed Center
Stroke Amplitude:	1-5/8"
Stroke Frequency:	1375 per minute
Tool Ports:	#6 SAE O-Ring (F)
Warranty:	5 year limited warranty

Accessories:

Catalog Number:	Description:
TSKD:	Kidney shoe; 3" x 8" (7.6 cm x 20.3 cm)
TSSQ:	Square shoe; 8" x 8" (20.3 cm x 20.3 cm)
LPWHPKITD:	Whip Hose Kit

See Low Pressure Hydraulic Accessories for additional options

HHS Series

Hydraulic Hand Chain Saws Low Pressure Hydraulic Chain Saws

- Gerotor-type motor has lifetime warranty
- .325" pitch anti-kickback chain
- Dual action spool switches from open to closed center operation easily



Variations:

HHSO/CB13
Low Pressure Hydraulic Hand Chain Saw

Catalog Number:	Description:
HHSO/CB13	13" cutting capacity; 15-1/2" bar length; 7.5 lbs; 24" overall length
HHSO/CB16	16" cutting capacity; 18-1/2" bar length; 8.0 lbs; 27" overall length
HHSO/CB20	20" cutting capacity; 22-1/2" bar length; 8.5 lbs; 30" overall length

Specifications:

Flow:	5-8 GPM (19-30 LPM)
Pressure:	1000-2000 PSI (70-140 BAR)
Max. Back Pressure:	250 PSI (17 BAR)
Operation:	Open/Closed Center
Motor:	Gerotor (lifetime warranty)
Chain:	.325" pitch anti-kickback
Tool Ports:	#6 SAE O-Ring (F)
Warranty:	5 year limited warranty

Accessories:

See Low Pressure Hydraulic Accessories for options

HPS-LW Series

Hydraulic Pole Saws

Light weight, low pressure hydraulic

- CNC machined Aircraft grade solid Aluminum body and handle
- Branch hook
- Cartridge style valve
- External bar oiler
- 2-stage safety trigger, anti-kickback chain and anti-slip grip
- Fiberglass tube tested at final assembly with AB Chance Hot Stick Tester Model CC403-3178 to the value specified as per OSHA 1910.269

Variations:

Catalog Number: HPS1371LW
Description: 71" overall length; 1.312" pole diameter; 13" cutting capacity; 8.0 lbs

Catalog Number: HPS1383LW
Description: 83" overall length; 1.312" pole diameter; 13" cutting capacity; 8.2 lbs

Specifications:

Flow:	4-8 GPM (16-30 LPM)
Pressure:	1000-2000 PSI (70-140 BAR)
Max. Back Pressure:	250 PSI (17 BAR)
Operation:	Open/Closed Center
Motor:	Gear
Chain:	.325" pitch anti-kickback
Tool Ports:	#6 SAE O-Ring
Warranty:	5 year limited warranty

Accessories:

*See Low Pressure Hydraulic Accessories
for additional options*



HPP Series

Hydraulic Power Pack, Low Pressure

Available for single or dual circuit

- Integral oil cooling system
- Fully shrouded fan and changeable oil filter
- Manual choke with adjustable throttle mechanism

Variations:

Catalog Number: Description:

HPP18 Output/Flow 1 @ 2000 PSI @ 1-10 GPM (138 Bar @ 0-38 LPM); 18 HP @ 3500 RPM; Variable GPM output valve

HPP182 Output/Flow 2 @ 2000 PSI @ 5 GPM or 1 @ 2000 PSI @ 10 GPM; can simultaneously operate two (2) 5 GPM tools OR 1 (1) tool at 10 GPM; 18 HP @ 3500 RPM

HPP5 Output/Flow 1 @ 1450 PSI; L: 20" x H: 18" x W: 17" 5.5 HP engine with recoil start; Dry Weight: 83 lbs; Fuel Tank Capacity: 1 gallon; Hydraulic Oil Capacity: 1.25 gallons



Specifications (HPP18 Series):

Dry Weight:	233 lbs (105.6 kg)
Size:	35.00" x 32.00" x 29.00"
Motor:	18 HP @ 3500 RPM
Warranty:	5 year limited warranty

Accessories:

See Low Pressure Hydraulic Accessories for options

Examples of some of the tools for use with the HPP series of Hydraulic Power Packs.



LPHT Accessories

Catalog Number	Description
LPHT3CHISEL11418	3" Chisel, 1-1/4", hex, 18" long
LPHTASPHALTCUT118	Asphalt cutter, 1-1/8" hex
LPHTCLAYSPADE118	Clay spade, 1-1/8" hex
LPHTGRDVR11458	Ground rod driver, 1-1/4" hex, 5/8" rod
LPHTMOILPT118	Moil point, 1" hex, 18" long
LPHTNARCHISEL11814	Narrow chisel, 1-1/8" hex, 14" long
LPHTADPMM71612	7/16" Quick chuck adaptor x 1/2" square
HIW71612TGKIT	Trigger guard for HIW716
LPHTADPMMOP66	ADP Male/Male SAE #6, 3/8 NPT (2 required per tool)
LPHT HOSES Red or Orange	
LPHTHOSNCR666610	Hose; Insulated, 10 foot; 3/8 NPT, 3/8 NPT
LPHTHOSNCR66668	Hose; Insulated, 8 foot; 3/8 NPT, 3/8 NPT
LPHTHOSNCR6668OP	Hose; Insulated, 8 foot, SAE #6, 3/8 NPT
LPHTHOSNCR666610OP	Hose; Insulated, 10 foot, SAE #6, 3/8 NPT
COUPLERS	
LPHTDRIPBODY66	Dripless body; 3/8 body, 3/8 NPT
LPHTDRIPBODY88	Dripless body; 1/2 body, 1/2 NPT
LPHTDRIPNOSE66	Dripless nose; 3/8 nose, 3/8 NPT
LPHTDRIPNOSE88	Dripless nose; 1/2 nose, 1/2 NPT
LPC38S	3/8, 3/8 NPT Flush face coupler set (body & nose)
LPC12S	3/8, 1/2 NPT Flush face coupler set (body & nose)
LPHTHTMADUSTCAPF	HTMA dust cap body
LPHTHTMADUSTCAPM	HTMA dust cap nose
SOCKETS	
LPHTSOC121	Socket - 1/2" drive x 1"
LPHTSOC121116	Socket - 1/2" drive x 11/16"
LPHTSOC12112	Socket - 1/2" drive x 1-1/2"
LPHTSOC12114	Socket - 1/2" drive x 1-1/4"
LPHTSOC12118	Socket - 1/2" drive x 1-1/8"
LPHTSOC1212	Socket - 1/2" drive x 1/2"
LPHTSOC121316	Socket - 1/2" drive x 13/16"
LPHTSOC12138	Socket - 1/2" drive x 1-3/8"
LPHTSOC121716	Socket - 1/2" drive x 1-1/16"
LPHTSOC1234	Socket - 1/2" drive x 3/4"
LPHTSOC1258	Socket - 1/2" drive x 5/8"
LPHTSOC1278	Socket - 1/2" drive x 7/8"
LPHTSOC12916	Socket - 1/2" drive x 9/16"
HIW12SOCSET	Socket set - 1/2" drive DP IMP 6 Point

NOTE:

Only the most common accessories and sizes are shown. BURNDY has over 200 accessory items for your Low Pressure Hydraulic needs; if you don't see what you are looking for call us at Customer Service: 1-800-346-4175.

Auger Bits are featured on the Auger Bit pages earlier in the catalog.





The following connectors are range taking when crimped onto code and flex conductor using the 4-POINT® Series of tools:

COPPER

Copper Conductor (Code & Compact)							
Conductor		Standard Barrel			Long Barrel		
Wire Size	Expanded Range	Terminal	Splice	# Crimps*	Terminal	Splice	# Crimps*
#8 AWG	#8 AWG	YA8CL-	YS8CL-	1	YA8C-	YS8C-	1
#6 AWG	#6 AWG	YA6CL-	YS6CL-	1	YA6C-	YS6C-	1
#4 AWG	#6 - #4 AWG	YA4CL-	YS4CL-	1	YA4C-	YS4C-	1
#2 AWG	#6 - #2 AWG	YA2CL-	YS2CL-	1	YA2C-	YS2C-	2
#1 AWG	#6 - #1 AWG	YA1CL-	YS1CL-	1	YA1C-	YS1C-	2
1/0 AWG	#6 - 1/0 AWG	YA25L-	YS25L-	1	YA25-	YS25-	2
2/0 AWG	#4 - 2/0 AWG	YA26L-	YS26L-	1	YA26-	YS26-	2
3/0 AWG	#2 - 3/0 AWG	YA27L-	YS27L-	2	YA27-	YS27-	2
4/0 AWG	#1 - 4/0 AWG	YA28L-	YS28L-	2	YA28-	YS28-	2
250 kcmil	1/0 AWG - 250 kcmil	YA29L-	YS29L-	2	YA29-	YS29-	2
300 kcmil	2/0 AWG - 300 kcmil	YA30L-	YS30L-	2	YA30-	YS30-	3
350 kcmil	3/0 AWG - 350 kcmil	YA31L-	YS31L-	2	YA31-	YS31-	3
400 kcmil	4/0 AWG - 400 kcmil	YA32L-	YS32L-	2	YA32-	YS32-	3
500 kcmil	4/0 AWG - 500 kcmil	YA34L-	YS34L-	2	YA34-	YS34-	4
600 kcmil	250 - 600 kcmil	YA36L-	YS36L-	2	YA36-	YS36-	4
700 kcmil	350 - 700 kcmil	YA38L-	YS38L-	3	YA38-	YS38-	4
750 kcmil	500 - 750 kcmil	YA39L-	YS39L-	3	YA39-	YS39-	4
800 kcmil	500 - 800 kcmil	YA40L-	YS40L-	3	YA40-	YS40-	4
1000 kcmil	750 - 1000 kcmil	YA44L-	YS44L-	3	YA44-	YS44-	4

ALUMINUM

Aluminum & Copper Conductor (Code & Compact)				
Conductor		Connector		
Wire Size	Expanded Range	Terminal	Splice	# Crimps*
#8 AWG	#8 AWG	YA8CA-	YS8CA-	1
#6 AWG	#6 AWG	YA6CA-	YS6CA-	1
#4 AWG	#6 - #4 AWG	YA4CA-	YS4CA-	1
#2 AWG	#6 - #2 AWG	YA2CA-	YS2CA-	2
#1 AWG	#6 - #1 AWG	YA1CA-	YS1CA-	2
1/0 AWG	#6 - 1/0 AWG	YA25A-	YS25A-	2
2/0 AWG	#4 - 2/0 AWG	YA26A-	YS26A-	2
3/0 AWG	#2 - 3/0 AWG	YA27A-	YS27A-	2
4/0 AWG	#1 - 4/0 AWG	YA28A-	YS28A-	2
250 kcmil	1/0 AWG - 250 kcmil	YA29A-	YS29A-	2
300 kcmil	2/0 AWG - 300 kcmil	YA30A-	YS30A-	2
350 kcmil	3/0 AWG - 350 kcmil	YA31A-	YS31A-	3
400 kcmil	4/0 AWG - 400 kcmil	YA32A-	YS32A-	4
500 kcmil	4/0 AWG - 500 kcmil	YA34A-	YS34A-	4
600 kcmil	250 - 600 kcmil	YA36A-	YS36A-	4
750 kcmil	500 - 750 kcmil	YA39A-	YS39A-	4

AYP/AYPO CONNECTORS

(Aluminum and Copper — Code & Compact)				
Wire Size	Expanded Range	Pin		# Crimps*
		Straight	Offset	
#6 AWG	#6 AWG	AYP6	—	1
#4 AWG	#4 AWG	AYP4	—	1
#2 AWG	#4 - #2 AWG	AYP2	—	1
#1 AWG	#2 - #1 AWG	AYP1	—	1
1/0 AWG	#2 - 1/0 AWG	AYP1/0	—	1
2/0 AWG	#1 - 2/0 AWG	AYP2/0	AYPO2/0	2
3/0 AWG	1/0 - 3/0 AWG	AYP3/0	AYPO3/0	2
4/0 AWG	2/0 - 4/0 AWG	AYP4/0	AYPO4/0	2
250 kcmil	3/0 - 250 kcmil	AYP250	AYPO250	2
300 kcmil	4/0 - 300 kcmil	AYP300	AYPO300	2
350 kcmil	250 - 350 kcmil	AYP350	AYPO350	2
400 kcmil	350 - 500 kcmil	AYP400	AYPO400	2
500 kcmil	350 - 500 kcmil	AYP500	AYPO500	2
600 kcmil	400 - 600 kcmil	AYP600	AYPO600	3
750 kcmil	500 - 750 kcmil	AYP750	AYPO750	3

*Same number of recommended crimps for both Standard and Expanded wire ranges

Tooling Expanded Cable Range

BURNDY®



The following connectors are range taking when crimped onto code and flex conductor using 4-POINT® Series of tools:
(continued from previous page)

Copper Conductor (Flex Only)								
Nom Flex Wire Size	Standard Barrel				Long Barrel			
	Expanded Range	Terminal	Splice	# of Crimps	Expanded Range	Terminal	Splice	# of Crimps
#8 AWG	#8 AWG	YAV8CL-	YSV8CL-	1	#8 AWG	YAV8C-	YSV8C-	1
#6 AWG	#6 AWG	YAV6CL-	YSV6CL-	1	#6 AWG	YAV6C-	YSV6C-	1
#4 AWG	#6 - #4 AWG	YAV4CL-	YSV4CL-	1	#6 - #4 AWG	YAV4C-	YSV4C-	1
#2 AWG	#6 - #2 AWG	YAV2CL-	YSV2CL-	1	#6 - #2 AWG	YAV2C-	YSV2C-	1
#1 AWG	#4 - #1 AWG	YAV1CL-	YSV1CL-	1	#4 - #1 AWG	YAV1C-	YSV1C-	1
1/0 AWG	#4 - 1/0 AWG	YAV25L-	YSV25L-	1	#4 - 1/0 AWG	YAV25-	YSV25-	2
2/0 AWG	#2 - 2/0 AWG	YAV26L-	YSV26L-	1	#4 - 2/0 AWG	YAV26-	YSV26-	2
3/0 AWG	#1 - 3/0 AWG	YAV27L-	YSV27L-	1	#2 - 3/0 AWG	YAV27-	YSV27-	2
4/0 AWG	1/0 - 4/0 AWG	YAV28L-	YSV28L-	1	#1 - 4/0 AWG	YAV28-	YSV28-	2
250 kcmil	3/0 AWG - 250 kcmil	YAV29L-	YSV29L-	1	1/0 AWG - 250 kcmil	YAV29-	YSV29-	2
300 kcmil	4/0 AWG - 313.1 kcmil	YA32L-	YS32L-	1	2/0 AWG - 313.1 kcmil	YA32-	YS32-	2
350 kcmil	262.2 - 373.7 kcmil	YA34L-	YS34L-	1	3/0 AWG - 373.7 kcmil	YA34-	YS34-	2
450 kcmil	373.7 - 444.4 kcmil	YA36L-	YS36L-	1				
450 kcmil	262.2 - 444.4 kcmil	YA36L-	YS36L-	2	262.2 - 444.4 kcmil	YA36-	YS36-	2
500 kcmil	444.4 - 535.3 kcmil	YA38L-	YS38L-	1				
500 kcmil	373.7 - 535.3 kcmil	YA38L-	YS38L-	2	373.7 - 535.3 kcmil	YA38-	YS38-	2
600 kcmil	373.7 - 600 kcmil	YA39L-	YS39L-	2				
650 kcmil	444.4 - 646 kcmil	YA40L-	YS40L-	2	262.2 - 600 kcmil	YA39-	YS39-	3
750 kcmil	535.3 - 777.7 kcmil	YA44L-	YS44L-	2	444.4 - 646 kcmil	YA40-	YS40-	3
					535.3 - 777.7 kcmil	YA44-	YS44-	3



Y81KFTMBH

E-Line Connectors							
Wire Size	Expanded Wire Range	Aluminum			Copper		
		Offset	Center formed	# Crimps*	Offset	Center formed	# Crimps*
#8 AWG	#8 AWG	YA8CA-T-E		1			
#6 AWG	#6 AWG						
#4 AWG	#6 - #4 AWG						
#2 AWG	#6 - #2 AWG	YA2CA-T-E	YAC2CA-T-E	1			
#1 AWG	#6 - #1 AWG						
1/0 AWG	#6 - 1/0 AWG	YA25A-T-E		1	YA25L-T-E	YAC25L-T-E	1
2/0 AWG	#4 - 2/0 AWG	YA26A-T-E		2	YA26L-T-E	YAC26L-T-E	1
3/0 AWG	#2 - 3/0 AWG	YA27A-T-E	YAC27A-T-E	2			
4/0 AWG	#1 - 4/0 AWG	YA28A-T-E		2			
250 kcmil	1/0 AWG - 250 kcmil						
300 kcmil	2/0 AWG - 300 kcmil	YA30A-T-E		2	YA30L-T-E	YAC30L-T-E	2
350 kcmil	3/0 AWG - 350 kcmil	YA31A-T-E	YAC31A-T-E	2			
400 kcmil	4/0 AWG - 400 kcmil	YA32A-T-E		4			
500 kcmil	4/0 AWG - 500 kcmil	YA34A-T-E		4	YA34L-T-E		2
500 kcmil	4/0 AWG - 500 kcmil				YA342L-T-E		2
600 kcmil	250 - 600 kcmil	YA36A-T-E		4	YA36L-T-E		2
600 kcmil	250 - 600 kcmil				YA362L-T-E		2
700 kcmil	350 - 700 kcmil						
750 kcmil	500 - 750 kcmil	YA39A-T-E		4	YA39L-T-E		2
750 kcmil	500 - 750 kcmil				YA392L-T-E		2
800 kcmil	500 - 800 kcmil						
1000 kcmil	750 - 1000 kcmil						

Expanded conductor ranges shown are applicable when using the 4-POINT® Series of tools only.
(Continued from previous page.)

N-122

*Same number of recommended crimps for both Standard and Expanded wire ranges



The following connectors are range taking when crimped onto code and flex conductor using Y644 Series of tools:

COPPER

Copper HYLUG™ & HYLINK™ Connectors Types YA, YA-L, YAB, YS, YS-L, YST, YS-T, YSP-T			
Catalog No.		Standard Wire Size	Expanded Wire Range
Terminal*	Splice**		
YA6C- YA5C- YA4C- YA3C- YA2C- YA1C-	YS6C- YS5C- YS4C- YS3C- YS2C- YS1C-	#6 AWG #5 AWG #4 AWG #3 AWG #2 AWG #1 AWG	#6 AWG #6 - #5 AWG #6 - #4 AWG #6 - #3 AWG #6 - #2 AWG #6 - #1 AWG
YA25- YA26- YA27- YA28-	YS25- YS26- YS27- YS28-	1/0 AWG 2/0 AWG 3/0 AWG 4/0 AWG	#6 - 1/0 AWG #4 - 2/0 AWG #2 - 3/0 AWG #1 - 4/0 AWG
YA29- YA30- YA31- YA32- YA34-	YS29- YS30- YS31- YS32- YS34-	250 kcmil 300 kcmil 350 kcmil 400 kcmil 500 kcmil	1/0 AWG - 250 kcmil 2/0 AWG - 300 kcmil 3/0 AWG - 350 kcmil 4/0 AWG - 400 kcmil 4/0 AWG - 500 kcmil
YA36- YA39- YA40-	YS36- YS39- YS40-	600 kcmil 750 kcmil 800 kcmil	250 - 600 kcmil 500 - 750 kcmil 500 - 800 kcmil
YA44-	YS44-	1000 kcmil	750 - 1000 kcmil

* 1 Crimp
** 1 Crimp per side

ALUMINUM

Aluminum HYLUG™ & HYLINK™ Connectors Types YA-A & YS-A (Copper or Aluminum Conductor)			
Catalog No.		Standard Wire Size	Expanded Wire Range
Terminal*	Splice**		
YA6CA- YA4CA- YA2CA- YA1CA-	YS6CA- YS4CA- YS2CA- YS1CA-	#6 AWG #4 AWG #2 AWG #1 AWG	#6 AWG #6 - #4 AWG #6 - #2 AWG #2 - #1 AWG
YA25A- YA26A- YA27A- YA28A-	YS25A- YS26A- YS27A- YS28A-	1/0 AWG 2/0 AWG 3/0 AWG 4/0 AWG	#1 - 1/0 AWG #1 - 2/0 AWG #1 - 3/0 AWG #1 - 4/0 AWG
YA29A- YA30A- YA31A- YA32A- YA34A-	YS29A- YS30A- YS31A- YS32A- YS34A-	250 kcmil 300 kcmil 350 kcmil 400 kcmil 500 kcmil	1/0 AWG - 250 kcmil 2/0 AWG - 300 kcmil 3/0 AWG - 350 kcmil 4/0 AWG - 400 kcmil 4/0 AWG - 500 kcmil
YA36A- YA39A-	YS36A- YS39A-	600 kcmil 750 kcmil	250 - 600 kcmil 500 - 750 kcmil

* 1 Crimp
** 1 Crimp per side

Expanded conductor ranges shown on this page are applicable when using the Y644/PAT644 Series of tools only.



Y644MBH

TABLE OF CONTENTS

Introduction

Basic Connection Principles 0-2 - 0-5 Terminal Stud Size Chart 0-32

Hardware Data

DURIUM™ Steel/Aluminum Tightening Torques 0-6 AWG vs. Metric Wire Sizes 0-33, 0-34

DURIUM™ Hex Bolts Data 0-6

UL Tightening Torque UL486 0-7, 0-8

Recommended Clamping on Bolted Connectors 0-9

BURNDY Conductor Numbering System 0-36, 0-37

Present Installation Tool Index 0-38 - 0-48

Cable Data (Tables)

Copper Cable

Copper Tube 0-10

Solid Copper Wire 0-11

Compact Stranded Copper Cable 0-11

Stranded Copper Cable 0-12, 0-13

Flexible Copper Stranded Cable 0-14, 0-15

Color Coding for Overhead

Connectors 0-49

Color Coding for AL/CU

Connectors 0-49

Color Coding for Copper

Lugs and Splices 0-50

Aluminum and ACSR Cable

Aluminum Tube 0-16

Aluminum 1350 Cable Bare -

Classes AA and A 0-17

Aluminum 1350 Cable Bare - Class B 0-18

ACSR Cable 0-19

High Strength ACSR Cable 0-20

Compact Aluminum 1350 Cable 0-21

Aluminum Alloy 5005 Cable 0-22

Aluminum 6201 Cable 0-22

Aluminum Alloy 8000 Series "O"

Temper Cable 0-23, 0-24

Compact ACSR Cable 0-25

ACSR/TW Cable (Trap Wire) 0-25, 0-26

AAC/TW Cable

(All Aluminum Trap Wire) 0-26

ACAR Cable 0-27

SSAC Cable 0-27, 0-28

Product/Trade Name Index 0-51

Alpha-Numeric Index 0-52 - 0-99

Terms and Conditions 0-100 - 0-101

Steel Conductors

Copperweld Cable 0-29

Copperweld - Copper Cable 0-29, 0-30

Galvanized Steel Cable 0-31

Aluminum Coated Steel Cable 0-32

Introduction - Basic Electrical Connection Principles:

Basic Factors:

The basic factors which influence the design and performance of pressure wire connections are as follows:

1. Creep
2. Surface Oxide
3. Corrosion

A fourth factor, known as thermal effects, is also a consideration, but due to the technical nature and length of this topic, it will not be discussed in this publication.

At the outset it should be pointed out that these factors give rise to much more difficult problems in connections involving aluminum conductors than those encountered in copper to copper connections.

Creep (Cold Flow)

Creep is the cold flow of the metal under pressure and it continues until the pressure reduces to a value at which any further creep is negligible. Creep properties depend on the particular metal or alloy and on its hardness; alloys having less creep than pure metals, and harder metals have less creep than soft metals. In a typical connection, the conductors are generally of pure metal and often of soft temper and therefore, subject to considerable creep. In addition, the condition is further exaggerated when aluminum is the conductor as compared to copper, since its creep rate is many times that of copper.

Effect of Creep: Figure 2 shows typical curves of total contact resistance plotted against total contact force. Curve A shows how the contact resistance continually decreases with increasing contact force. When the full contact force F_1 is reached, the contact resistance reaches the low value of R_1 . In general, the full tightening force on a connector greatly exceeds the maximum force for which there is no appreciable creep. Therefore, the force will gradually settle down to a value after which there will be no further significant creep. Fortunately, however, the resistance does not climb back up along curve A, the tightening curve, but instead it follows a new curve B, the relaxing curve, along which the resistance changes very little until the force relaxes to a value such as F_2 .

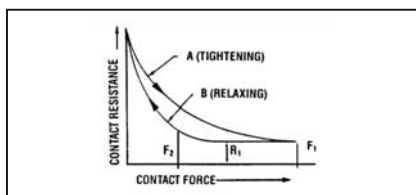


Figure 2

Admittedly, the point of “no appreciable creep” is difficult to define. For pure metals, especially in the soft state, there is always some creep, even at very low pressures at room temperature. However, we do know that the pressure required to produce the same creep rate is several times greater for copper than for aluminum. Thus, to permit the same contact force F_2 for aluminum and copper, the contact area A required for aluminum can be expected to be considerably greater than that required for copper. This explains why the contact areas for connectors for aluminum must be considerably greater than for copper and why many light duty connectors for copper are entirely inadequate for aluminum, even when specially plated and when recommended compounds are used on the contact surfaces.

Relaxation: Relaxation of pressure due to creep, or for any other reason, would be a much more difficult factor in a pressure connection were it not for the relationship of contact pressure to contact resistance on the relaxation curve as shown in Figure 2. It is frequently observed that some time after the bolts of a clamp type connector are tightened, the bolt tensions are relaxed appreciably. The question arises as to whether it is necessary to retighten the bolts to the original torque value. In a properly designed connector, retightening is unnecessary since the contact resistance should increase very little due to the relaxation of pressure, as shown by the relaxation curve of Figure 2.

This fact is largely responsible for the successful operation of a compression connector. The application of the compression tool applies very high pressure, establishing very low contact resistance. The removal of the compression tool releases a very large proportion of this pressure, and creep further relaxes this pressure. Fortunately, the contact resistance increases very little due to this pressure relaxation.

Contact Force: The previous analysis shows that the total contact force largely determines the contact resistance. Thus, to achieve the desired low value of contact resistance, the proper size and number of bolts in a clamp type connector must be supplied, and the compression tool must apply the proper force to a compression connector. In addition, the connector must be designed with sufficient structural strength, contact area, and resilience, to assure that the contact force cannot relax beyond the point where contact resistance begins to rise appreciably, as shown in Figure 2.

Surface Oxide

The contact of pure metallic surfaces cannot be assured in practical connections. Surface contamination must be expected, especially surface oxidation. These surface films are insulators as far as contact resistance is concerned, and they must be broken to achieve metal to metal contact to make an adequate electrical connection. The difficulty of breaking the film depends on the nature of the film, its thickness, and the metal on which it is formed.

Copper oxide is generally broken down by reasonably low values of contact pressure. Unless the copper is badly oxidized, good contact can be obtained with very little or no cleaning.

Silver oxide is even more easily broken down by the contact pressure; and since silver oxide forms less readily at elevated temperatures, silver contact surfaces are preferred over copper when used for high temperatures. For this reason, it is considered good practice to silver plate copper contact surfaces that must operate at temperatures over 200° C.

On the other hand, aluminum oxide is a hard, tenacious, high resistance film that forms very rapidly on the surface of aluminum exposed to air. In fact, it is the toughness of this film that gives aluminum its good corrosion resistance. The oxide film that forms after more than a few hours is too thick and tough to permit a low resistance contact without cleaning. The aluminum oxide film is transparent so that even the bright and clean appearance of an aluminum connector is no assurance that the low contact resistance can be attained without cleaning.

In addition to the necessity for cleaning the oxide from aluminum, the surface should be covered with a good connector compound to prevent the oxide from reforming. Common practice is to clean the surface with a wire brush or emery cloth. The compound should be applied immediately after cleaning, or the compound should be put on first and the surface scraped through the compound. Present practice is to scratch brush dry and to apply the compound immediately thereafter. This allows a more thorough job of cleaning the conductor.

Contact Compounds: Petrolatum or No-Oxid are good contact surface compounds for aluminum, but BURNDY® PENETROX™ A, a petroleum type compound containing zinc dust, has the additional advantage of assisting in the

Introduction - Basic Electrical Connection Principles: (continued)

breaking down of the contact resistance. How this is accomplished is not certain, but it appears that the zinc particles of PENETROX™ A probably act as current bridges in the breaks in the oxide film. For more complete information about the PENETROX™ line of compounds, refer to the Accessories section of this catalog.

Interstrand Resistance: The high contact resistance due to the oxide on the strands of an aluminum cable may be responsible for a poor distribution of current among the strands on the cable. Thus, the outer strands may carry much more than their share of the current and overheating of the cable may result. Tests have shown that even on new cable this effect of interstrand resistance can be considerable unless a good contact compound is used. The clamping action tends to break down the oxide and force the compound between the strands. This is particularly true of compression connectors due to the very high unit pressures developed.

The most effective way to break down interstrand resistance of aluminum cable is to use compression connectors filled with a compound having zinc particles. Then, when the end of the cable is inserted in the connector, the compound is forced between the strands where it very effectively breaks down the interstrand resistance upon application of the compressive force.

Plating Aluminum: Plating the contact surfaces of aluminum connectors will prevent the formation of aluminum oxide. Electro-tin, cadmium and zinc platings have been used for this purpose. However, the use of a plated aluminum conductor, does not make it less necessary to scratch brush the aluminum conductor, nor does it reduce the need for a good contact compound. Additional problems are introduced due to the plating on aluminum which render it of very doubtful value over the proper use of base aluminum. This will be more fully discussed later.

Corrosion

The electrical conductivity and mechanical strength of an electrical connection must remain stable under the deteriorating influences of the environment. This deterioration is corrosion. It is the electrolytic action of moisture and other elements of the atmosphere in conjunction with the metals of the connection. If the conductors and connectors are of copper or a corrosion resistant copper alloy, corrosion is usually a minor factor. However, it is a very vital factor if aluminum is involved.

If moisture can be kept away from the connection, corrosion will not be a factor. The electrical connection of a high voltage splice on insulated cable is generally free from corrosion since the taping may be used to avoid corrosion on bare cable, provided it excludes moisture. It is difficult to get a good tape seal to the conductor itself, especially on stranded cable. If moisture does penetrate the taping, it will not dry out as readily as if the joint were untaped. Various plastic materials are available today for covering low voltage connections or for bare conductor connections on high voltage. Unless such coverings are completely moisture-proof, it is better to rely on installation with a good contact compound, using a connector designed to resist corrosion.

Galvanic Action: Whenever dissimilar metals are in the presence of an electrolyte, a difference in electric potential is developed. One metal becomes the cathode and receives a positive charge. The other becomes the anode and receives a negative charge. When these metals are in contact, an electrical current will flow, as in the case of any short-circuited electric cell. This electrolytic action causes an attack of the anodic metal, leaving the cathodic metal unharmed. The extent of the attack is proportional to the strength of the electrolytic current, which in turn is proportional to the electric potential difference developed.

The magnitude of the potential difference generated between two dissimilar metals can be seen by the position of these metals in the electrolytic series. Figure 3 is such a series. When two metals are in contact in an electrolyte, the one higher up in this series is the anode, the corroded metal, while the one lower is the cathode, the protected metal. The further apart the metals are in this series, the greater the electrolytic potential difference, and the greater the attack to the anodic metal.

Note that copper and aluminum are quite far apart in the series, copper being cathodic and aluminum anodic. Hence, when aluminum and copper are in contact in an electrolyte, the aluminum can be expected to be severely attacked.

Crevice Corrosion: Electrolytic attack can also occur between like metals due to a phenomenon known as oxygen concentration cell or crevice corrosion. Since oxygen is necessary for corrosive action, a variation in the concentration of

oxygen where a metal is exposed to an electrolyte will generate a difference of potential, and cause a corrosive attack in the oxygen starved area. Thus, since an electrolyte in a deep crevice is freely exposed to the air at the outside, the concentration of oxygen will be greatest at the mouth of the crevice. Then corrosion can be expected to occur in the crevice remote from the surface. Crevice corrosion can be prevented if the crevice is filled with a compound to exclude moisture. Thus, within the contact groove of an aluminum connector containing an aluminum conductor, there will be numerous crevices in which corrosion will take place unless a good connector compound is applied during installation. Copper, being a more noble metal, appears to be much less subject to crevice corrosion.

Corrosion Testing: The effectiveness of an electrical connection to resist corrosion can be tested in the laboratory under conditions designed to greatly accelerate the natural corrosive conditions of actual service. The most widely accepted means is the standard salt spray chamber. In this chamber the specimens are placed in a salt fog made by atomizing a 20% salt solution at 100° F.

BURNDY, as well as other manufacturers and utility companies, have done a great deal of testing and a considerable area of agreement has been reached. There are, however, minor differences in recommended practices. The problem is concerned with aluminum and aluminum to copper connections since the effect of corrosion on copper to copper connections is far less serious. Let us study the recommended practices.

Aluminum to Aluminum Connections: For joining aluminum to aluminum conductors, there is little disagreement that an aluminum bodied connector is the proper choice, since this obviously eliminates the galvanic corrosion of dissimilar metals. However, even in this case, care must be taken to prevent crevice corrosion and to select an alloy of aluminum for the connector body that is free from cracking due to stress corrosion.

Aluminum to Copper Connections: Similarly, for joining aluminum to copper conductors, an aluminum bodied connector is the best choice since it prevents galvanic corrosion of the aluminum conductor, the most vulnerable element to attack in the connection. Realizing this, BURNDY initiated a research program aimed at finding the best way to make an aluminum

Introduction - Basic Electrical Connection Principles: (continued)

- ✚ LESS NOBLE (ANODIC)
- ↓ Magnesium
- ↓ Magnesium alloys
- ↓ Zinc
- ↓ Aluminum 1100
- ↓ Cadmium
- ↓ Aluminum 2024-T4
- ↓ Steel or Iron
- ↓ Cast Iron
- ↓ Chromium Iron (Active)
- ↓ Ni-Resist
- ↓ Type 304 Stainless (Active)
- ↓ Type 316 Stainless (Active)
- ↓ Lead Tin Solders
- ↓ Lead
- ↓ Tin
- ↓ Nickel (Active)
- ↓ Inconel
- ↓ Brasses
- ↓ Copper
- ↓ Bronzes
- ↓ Copper-Nickel alloys
- ↓ Monel
- ↓ Silver Solder
- ↓ Nickel (Passive)
- ↓ Inconel (Passive)
- ↓ Chromium-Iron (Passive)
- ↓ Type 304 Stainless (Passive)
- ↓ Type 316 Stainless (Passive)
- ↓ Silver
- ↓ Titanium
- ↓ Graphite
- ↓ Gold
- ↓ Platinum
- MORE NOBLE (CATHODIC)

Figure 3

connector suitable for joining aluminum to copper conductors.

This led to the evolution of the “Massive Anode Principle” of connector design for joining conductors of dissimilar metal. On the basis of this principle, properly designed, all-aluminum connectors became available for universal use in joining aluminum to aluminum or aluminum to copper conductors.

Massive Anode Principle: By making the aluminum connector massive in comparison to the copper conductor, when the copper conductor emerges from the connector, the electrolytic current density over the exposed face of the aluminum connector is greatly reduced. This is schematically represented in Figure 4. Since the rate of corrosion is directly related to the current density on the surface of the anodic material, the relatively large face of the aluminum connector will suffer only minor attack.

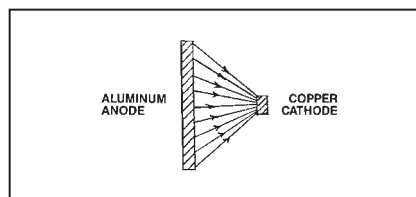


Figure 4

In addition, because the aluminum connector body is massive in the region where the corrosion occurs, the small loss of metal caused by corrosion is insignificant, even after long periods of service. Furthermore, the connector design should be such that clamping bolts, and areas of high stress which provide structural strength, are not in the regions subject to galvanic attack.

The effectiveness of this theory has been amply demonstrated in salt spray corrosion tests in which the connectors were subject to 1,000 hours in the salt spray fog with only minor corrosive pitting adjacent to the copper conductor, as seen in Figure 5. In addition, the aluminum conductor was completely protected, and the joint resistance remained virtually unchanged. The test involved a wide variety of sizes and types of connectors showing the effectiveness for small service connectors as well as large power connectors. Figure 6 shows a large all aluminum clamp type T connector installed on 3-1/2” diameter copper run and 750 kcmil aluminum tap. The figure shows this connector which was opened up after 1,400 hours of the salt spray test. Note that the contact surfaces are bright and clean and the only

evidence is minor pitting along the faces adjacent to the copper.

*It should be emphasized that a good compound should be used on the contact surfaces whether aluminum or copper is used in an aluminum connector.

Position of Conductor: A properly designed aluminum connector for joining aluminum to copper must provide adequate separation between the conductors to prevent electrolytic attack on the aluminum conductor. Even then, it is good practice to install the aluminum conductor above the copper conductor if possible. This will prevent pitting of the aluminum conductor due to copper salts being washed over the aluminum.

Plated Aluminum Connectors: Plating has been used as a means to make an aluminum connector suitable for copper conductor. Such platings as copper, zinc, tin and cadmium have been used. The plating of aluminum is much more critical than plating a more noble metal such as copper. In addition, a preplate, usually of copper or brass, must be applied, thus introducing numerous metals and further possibilities for galvanic corrosion.

To be effective in reducing galvanic corrosion between the copper conductor and the aluminum connector, the plated metal must be closer in the Electrolytic Series to copper than is aluminum. It must therefore, be cathodic to aluminum. Since porosity and minor scratches are always present, galvanic action can be expected in the presence of moisture, resulting in attack of the aluminum under the plating. Corrosion tests reveal attack in the form of a mottled appearance and flaking of the plating.

In addition, the presence of plated metal can cause galvanic attack of the aluminum conductor, thus reducing the protection offered to this conductor in an aluminum connector.

Cleaning and the Use of Compound: It should be emphasized that when aluminum connectors or conductors are involved, proper cleaning of the aluminum and the use of a good connector compound, such as BURNDY PENETROX™ A, are essential for trouble-free service. BURNDY, as well as other manufacturers, provide the contact grooves with a coating to make it unnecessary to clean the connectors, but in all cases the aluminum conductor should be

Introduction - Basic Electrical Connection Principles: (continued)

cleaned by means such as scratch brushing, and immediately coated with the connector compound.

To simplify the application of the compound, and to assure its use, almost all BURNDY aluminum connectors, except the large clamp type substation connectors, are supplied factory filled with PENETROX™ compound. For the tubular compression connectors, the tubular barrels are sufficiently filled with PENETROX™ and capped. For other types, the contact grooves are filled with PENETROX™ and enclosed in plastic packaging in a process called 'stripsealing'.

Clamp vs. Compression: In general, a compression connection can be expected to be more corrosion resistant than a clamp connection. The high pressures applied to a compression connector more effectively seal the contact against the penetration of moisture. The tubular sleeve of a compression connector has no side openings such as exist in clamp connectors between the clamping members. On the other hand, the clamp connector can be made more corrosion resistant if the conductor grooves conform more closely with the conductor contour. Thus a clamp connector made to accommodate a wide range of conductor sizes cannot be expected to be as corrosion resistant as one designed for one specific conductor size. Nevertheless, the differences in effectiveness of various designs can be minimized if a good contact compound is used.

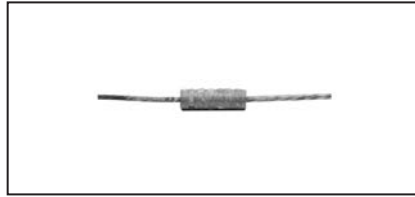


Figure 5

Negligible Corrosion of Severe Salt Spray on Compression Connector Joining Aluminum to Copper.

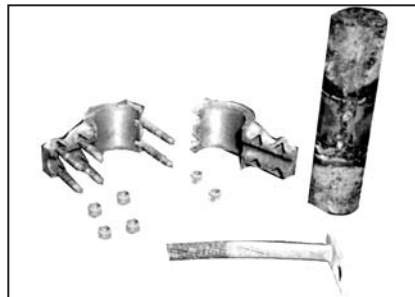


Figure 6

Large Aluminum Bolted Connector Joining Copper Run to Aluminum Tap After Severe Salt Spray Test.

HARDWARE DATA

Recommended Tightening Torque

The hardware used in connectors must be compatible with the connector material, have high mechanical strength and be corrosion resistant.

Copper alloy connectors have hardware made of DURIUM™, which is the BURNDY trade name for silicon bronze alloy ASTM B99. This material was first introduced by BURNDY in 1927 for use in outdoor construction and today is the standard throughout the industry.

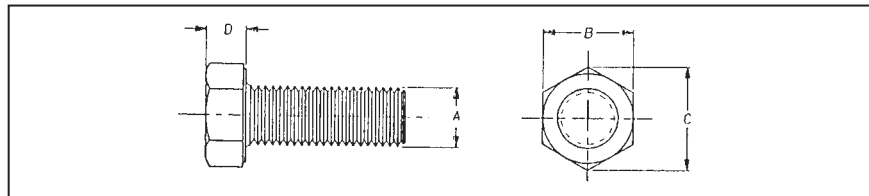
Aluminum connectors generally have aluminum alloy hardware. The bolts are 2024T4 and anodized to resist corrosion. The nuts are 6061T6, which is resistant to corrosion and does not require anodizing. Bolts are lubricated to eliminate galling and to provide consistent clamping forces.

The size material for clamping hardware are selected to provide the required force when tightened to the recommended torque. To reduce or greatly exceed the recommended torque can adversely affect the performance of the connector.

Steel Hardware	
Bolt Size	Recommended Torque (Inch Pounds)
1/4 - 20	80
5/16 - 18	180
3/8 - 16	240
1/2 - 13	480
5/8 - 11	660
3/4 - 10	1050

Aluminum Hardware	
Bolt Size	Recommended Torque (Inch Pounds)
1/2 - 13	300
5/8 - 11	480
3/4 - 10	650

DURIUM™ (Silicon Bronze) Hexagonal Bolt Data



DURIUM™ (Silicon Bronze) Hardware							
Catalog Number Series*	"A" Bolt Size	"B"	"C"	"D"	Recommended Torque (in-lb)**	Min. Breaking Force (lb)	Min. Shearing Force (lb)
25X__HEB	1/4 - 20	7/16	.50	.16	80	1,780	990
31X__HEB	5/16 - 18	1/2	.56	.21	180	2,930	1,640
38X__HEB	3/8 - 16	9/16	.65	.24	240	4,350	2,430
50X__HEB	1/2 - 13	3/4	.87	.32	480	7,950	4,460
62X__HEB	5/8 - 11	15/16	1.08	.40	660	12,700	7,100
75X__HEB	3/4 - 10	1-1/8	1.30	.48	1050	17,510	10,540

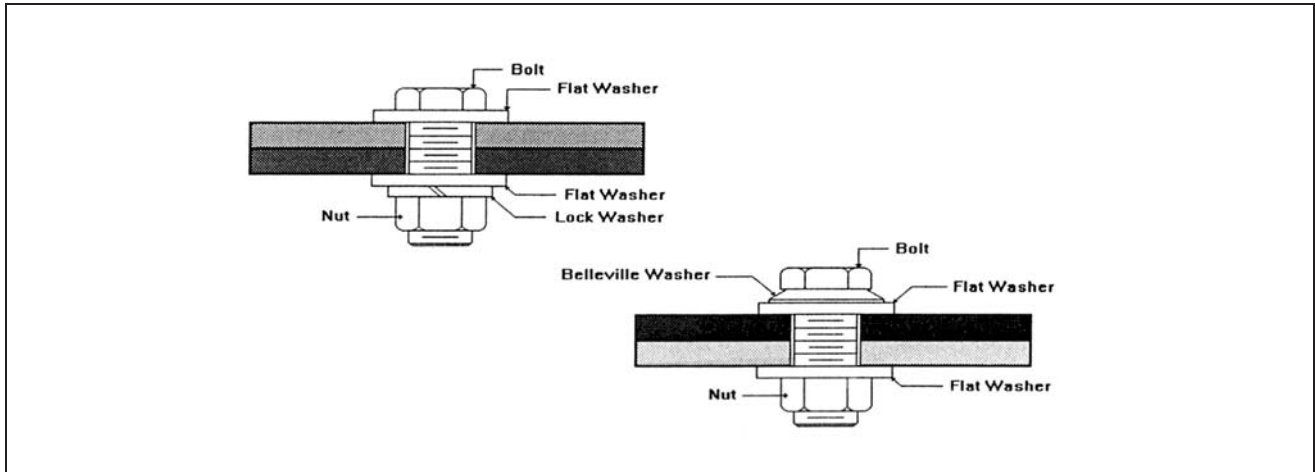
* __ is substituted for bolt length; Consult sales representative for available lengths

**These torque values develop maximum bolt preload

This drawing is based on BURNDY engineering specification

HARDWARE DATA (continued)

Recommended Termination Hardware



Recommended Tightening Torque per UL 486A and UL486B

Table 21 - Tightening torque for screws

Conductor Size Installed in Connector		Tightening Torque, N•m (lbf-in)			
		Slotted Head No. 10 and Larger*		Hexagonal Head - External Drive Socket Wrench	
		Slot Width - 1.2mm (.047 in) or Less and Slot Length - 6.4mm (1/4 in.) or less	Slot Width - Over 1.2mm (.047 in) or Slot Length - Over 6.4mm (1/4 in.)	Split-Bolt Connectors	Other Connectors
AWG or kcmil	mm ²				
30 - 10	.05 - 5.3	2.3 (20)	4.0 (35)	9.0 (80)	8.5 (75)
8	8.4	2.8 (25)	4.5 (40)	9.0 (80)	8.5 (75)
6 - 4	13.2 - 21.2	4.0 (35)	5.1 (45)	18.6 (165)	12.4 (110)
3	26.7	4.0 (35)	5.6 (50)	31.1 (275)	16.9 (150)
2	33.6	4.5 (40)	5.6 (50)	31.1 (275)	16.9 (150)
1	42.4	-	5.6 (50)	31.1 (275)	16.9 (150)
1/0 - 2/0	53.5 - 67.4	-	5.6 (50)	43.5 (385)	20.3 (180)
3/0 - 4/0	85.0 - 107.2	-	5.6 (50)	56.5 (500)	28.2 (250)
250 - 350	127 - 177	-	5.6 (50)	73.4 (650)	36.7 (325)
400	203	-	5.6 (50)	93.2 (825)	36.7 (325)
500	253	-	5.6 (50)	93.2 (825)	42.4 (375)
600 - 750	304 - 380	-	5.6 (50)	113.0 (1000)	42.4 (375)
800 - 1000	406 - 508	-	5.6 (50)	124.3 (1100)	56.5 (500)
1250 - 2000	635 - 1000	-	-	124.3 (1100)	67.8 (600)

* For values of slot width or length not corresponding to those specified, select the largest torque value associated with the conductor size. Slot width is the nominal design value. Slot length shall be measured at the bottom of the slot.

HARDWARE DATA (continued)
Recommended Tightening Torque per UL486A & UL486B
Table 22 - Tightening torque for slotted head screws smaller than No. 10 intended for use with 8 AWG (8.4 mm²) or smaller conductors

Slot Length of Screw*		Tightening Torque, N•m (lbf-in)	
		Slot Width of Screw Smaller than 1.2 mm (.047 in.) ^b	Slot Width of Screw 1.2mm (.047 in.) and larger**
mm	inch		
Less than 4	Less than 5/32	0.79 (7)	1.0 (9)
4	5/32	0.79 (7)	1.4 (12)
4.8	3/16	0.79 (7)	1.4 (12)
5.6	7/32	0.79 (7)	1.4 (12)
6.4	1/4	1.0 (9)	1.4 (12)
7.1	9/32	-	1.7 (15)
Above 7.1	Above 9/32	-	2.3 (20)

* For slot lengths of intermediate values, select torques pertaining to next shorter slot length.

Also see Table 21 for screws with multiple tightening means.

Slot length shall be measured at the bottom of the slot.

** Slot width is the nominal design value

Recommended Tightening Torque per UL486A & UL486B
Table 23 - Tightening torque for screws with recessed allen or square drives

Socket Width Across Flats*		Tightening Torque, N•m (lbf-in)
mm	inch	
3.2	1/8	5.1 (45)
4.0	5/32	11.3 (100)
4.8	3/16	13.6 (120)
5.6	7/32	16.9 (150)
6.4	1/4	25.4 (225)
7.9	5/16	33.9 (300)
9.5	3/8	45.2 (400)
12.7	1/2	56.6 (500)
14.3	9/16	67.8 (600)

* See Table 21 for screws with multiple tightening means

HARDWARE DATA (continued)

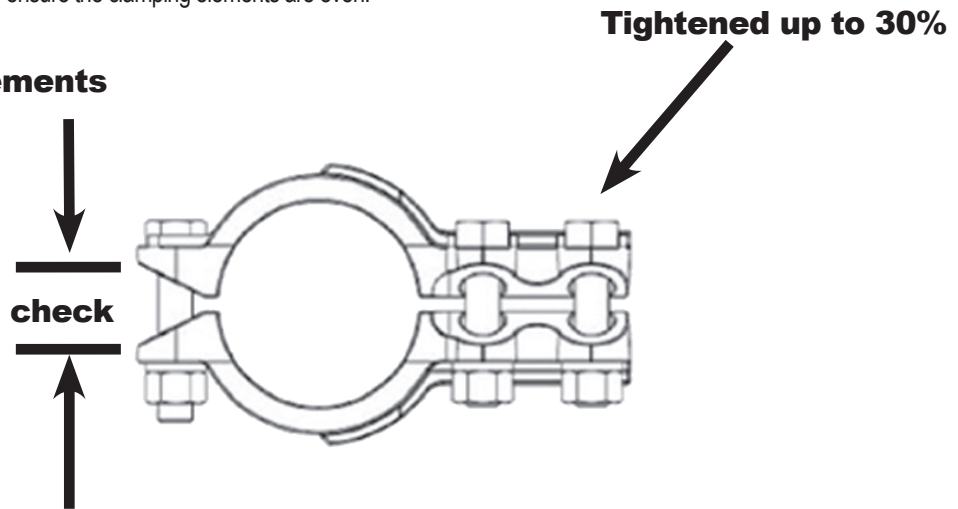
Recommended Clamping on Bolted Connectors:

When installing a bolted connector, an appropriate sequence needs to be followed.

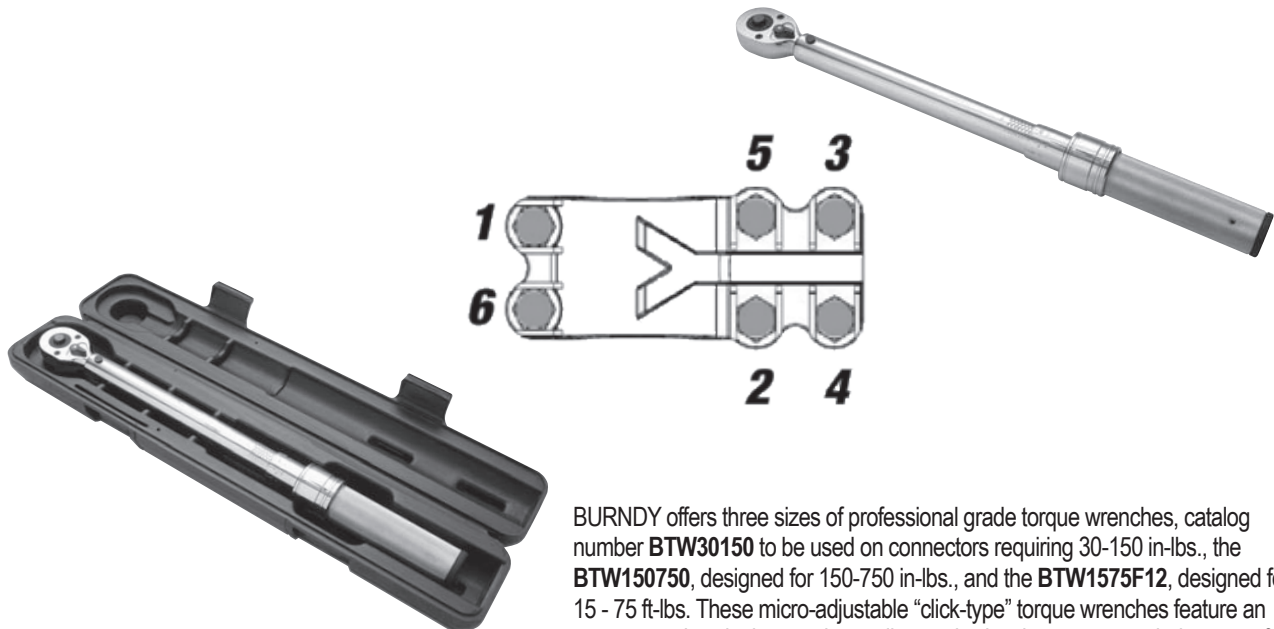
INSTALLATION INSTRUCTIONS:

1. Nuts need to be tightened up to 30% of expected torque.
2. A check needs to be done to ensure the clamping elements are even.

Even clamping elements



3. Tightening has to follow a sequence (1-6) as shown below. As a general rule, the torque has to be applied to the nut. For ease of installation most connectors are designed for one wrench installation. A torque wrench is recommended when tightening the nut to ensure the proper torque is applied.



BURNDY offers three sizes of professional grade torque wrenches, catalog number **BTW30150** to be used on connectors requiring 30-150 in-lbs., the **BTW150750**, designed for 150-750 in-lbs., and the **BTW1575F12**, designed for 15 - 75 ft-lbs. These micro-adjustable "click-type" torque wrenches feature an easy-to-read scale that can be easily matched to the recommended torque of each of our mechanical connector products. Calibration traceable to N.I.S.T.

CABLE DATA

COPPER TUBE (BUS)

Size of Tube IPS	Diameter of Tube (Inches)		Wall Thickness (Inches)
	Outside	Inside	
STANDARD PIPE SIZES			
1/4"	0.540	0.375	0.082
3/8"	0.675	0.494	0.090
1/2"	0.840	0.625	0.107
3/4"	1.050	0.822	0.114
1"	1.315	1.062	0.126
1-1/4"	1.660	1.368	0.146
1-1/2"	1.900	1.600	0.150
2"	2.375	2.062	0.156
2-1/2"	2.875	2.500	0.187
3"	3.500	3.062	0.219
3-1/2"	4.000	3.500	0.250
4"	4.500	4.000	0.250
4-1/2"	5.000	4.500	0.250
5"	5.563	5.063	0.250
6"	6.625	6.125	0.250
EXTRA HEAVY PIPE SIZES			
1/4"	0.540	0.294	0.123
3/8"	0.675	0.421	0.127
1/2"	0.840	0.542	0.149
3/4"	1.050	0.736	0.157
1"	1.315	0.951	0.182
1-1/4"	1.660	1.272	0.194
1-1/2"	1.900	1.494	0.203
2"	2.375	1.933	0.221
2-1/2"	2.875	2.315	0.280
3"	3.500	2.892	0.304
3-1/2"	4.000	3.358	0.321
4"	4.500	3.818	0.341
4-1/2"	5.000	4.250	0.375
5"	5.563	4.813	0.375
6"	6.625	5.751	0.437

Size of Tube IPS	Diameter of Tube (Inches)		Wall Thickness (Inches)
	Outside	Inside	
DOUBLE EXTRA HEAVY PIPE SIZES			
1/2"	0.840	0.252	0.294
3/4"	1.050	0.434	0.308
1"	1.315	0.599	0.358
1-1/4"	1.660	0.896	0.382
1-1/2"	1.900	1.100	0.400
2"	2.375	1.503	0.436
2-1/2"	2.875	1.771	0.552
3"	3.500	2.300	0.600
3-1/2"	4.000	2.728	0.636
4"	4.500	3.152	0.674
4-1/2"	5.000	3.580	0.710
5"	5.563	4.063	0.750
6"	6.625	4.897	0.864

Tube dimensions (excepting wall thickness of double extra heavy) taken from A.S.T.M. Specification B42-33.

Tubular values based on a density of 0.322 pound per cubic inch.

* Conductivity of 98% I.A.C.S. at 20° C or 68° F

CABLE DATA (continued)

SOLID COPPER WIRE (ASTM B1, B2, & B3)

Size AWG (Solid)	Wire Dia (Inch)	Hard Drawn	Medium Drawn	Soft Drawn
		Normal Breaking Load (Pounds)	Minimum Breaking Load (Pounds)	Elongation in 10 in. % Min.
18	.040	85.8	67.6	25
17	.045	107.5	84.7	25
16	.050	135.2	106.2	25
15	.057	170.0	133.0	25
14	.064	213.8	166.6	25
13	.071	268.2	208.0	25
12	.080	337.0	261.6	25
11	.090	422.5	327.6	25
10	.101	529.2	410.4	25
9	.114	661.0	514.2	30
8	.128	826.0	643.9	30
7	.144	1,030.0	806.6	30
6	.162	1,280.0	1,010.0	30
5	.181	1,591.0	1,265.0	30
4	.204	1,970.0	1,584.0	30
3	.229	2,439.0	1,984.0	30
2	.257	3,003.0	2,450.0	30
1	.289	3,688.0	3,024.0	30
1/0	.324	4,519.0	3,730.0	35
2/0	.364	5,518.0	4,599.0	35
3/0	.409	6,722.0	5,667.0	35
4/0	.460	8,143.0	6,980.0	35

**COMPACT STRANDED COPPER CABLE
(ASTM SPEC. B496)**

Conductor Size		Number of Wires	Conductor Dia (in)
KCMIL	AWG		
1000		61 ¹	1.060
900		61 ¹	0.999
800		61 ¹	0.938
750		61 ¹	0.908
700		61 ¹	0.877
650		61 ¹	0.845
600		61 ¹	0.813
550		61 ¹	0.775
500		37 ²	0.736
450		37 ²	0.700
400		37 ²	0.659
350		37 ²	0.616
300		37 ²	0.570
250		37 ²	0.520
	4/0	19 ³	0.475
	3/0	19 ³	0.423
	2/0	19 ³	0.376
	1/0	19 ³	0.336
	1	19 ³	0.299
	2	7	0.268
	4	7	0.213
	6	7	0.169
	8	7	0.134

¹ 58 Wires Minimum

² 35 Wires Minimum

³ 18 Wires Minimum

CABLE DATA (continued)

STRANDED COPPER WIRE (ASTM B8 EXCLUDING BREAKING LOADS)

Size		A.S.T.M. Strandings			Hard Drawn	Medium Drawn	Soft Drawn
Stranded		Class	No. of Wires	Cable Diameter (Inches)	Minimum Breaking Load (Pounds)		
Circular Mils	AWG						
1,022	20	B	7	0.036	50.0	40.67	32.1
1,624	18	B	7	0.045	79.0	63.91	51.0
2,583	16	B	7	0.057	124.7	100.4	81.1
4,107	14	B	7	0.072	197.1	157.7	124.2
6,530	12	B	7	0.091	311.1	247.7	197.5
10,380	10	B	7	0.116	491.7	388.9	314.0
13,090	9	B	7	0.130	618.2	487.4	395.9
16,510	8	B	7	0.146	777.2	610.7	499.2
20,820	7	B	7	0.164	977.1	765.2	629.5
26,250	6	B	7	0.184	1,288.0	958.6	793.8
33,100	5	B	7	0.206	1,542.0	1,201.0	1,001.0
41,740	4	AA	3	0.254	1,879.0	1,465.0	1,213.0
41,740	4	B&A	7	0.232	1,938.0	1,505.0	1,262.0
52,630	3	AA	3	0.285	2,359.0	1,835.0	1,530.0
52,630	3	B&A	7	0.260	2,433.0	1,885.0	1,592.0
66,370	2	AA	3	0.320	2,913.0	2,299.0	1,929.0
66,370	2	B&A	7	0.292	3,045.0	2,361.0	2,007.0
83,690	1	AA	3	0.360	3,621.0	2,879.0	2,432.0
83,690	1	A	7	0.328	3,804.0	2,958.0	2,432.0
83,690	1	B	19	0.332	3,899.0	3,037.0	2,531.0
105,500	1/0	A&A	7	0.368	4,752.0	3,705.0	3,067.0
105,500	1/0	-	12	0.390	4,841.0	3,755.0	3,191.0
105,500	1/0	B	19	0.373	4,901.0	3,805.0	3,191.0
133,100	2/0	A&A	7	0.414	5,926.0	4,640.0	3,867.0
133,100	2/0	-	12	0.438	6,048.0	4,703.0	3,867.0
133,100	2/0	B	19	0.419	6,152.0	4,765.0	4,024.0
167,800	3/0	A&A	7	0.464	7,366.0	5,812.0	4,876.0
167,800	3/0	-	12	0.492	7,556.0	5,890.0	4,876.0
167,800	3/0	B	19	0.470	7,698.0	5,970.0	5,074.0
211,600	4/0	A&A	7	0.522	9,154.0	7,278.0	6,149.0
211,600	4/0	-	12	0.522	9,483.0	7,378.0	6,149.0
211,600	4/0	B	19	0.528	9,617.0	7,479.0	6,149.0

CABLE DATA (continued)

STRANDED COPPER WIRE (ASTM B8 EXCLUDING BREAKING LOADS continued)

Size	A.S.T.M. Strandings			Hard Drawn	Medium Drawn	Soft Drawn
	Circular Mils	Class	No. of Wires			
250 kcmil	AA	12	0.600	11,130	8,717	7,265
250 kcmil	A	19	0.574	11,360	8,986	7,265
250 kcmil	B	37	0.575	11,560	8,952	7,559
300 kcmil	AA	12	0.657	13,170	10,390	8,718
300 kcmil	A	19	0.628	13,510	10,530	8,718
300 kcmil	B	37	0.630	13,870	10,740	9,071
350 kcmil	AA	12	0.710	15,140	12,040	10,170
350 kcmil	A	19	0.679	15,590	12,200	10,170
350 kcmil	B	37	0.681	16,060	12,450	10,580
400 kcmil	A&AA	19	0.726	17,810	13,950	11,620
400 kcmil	B	37	0.728	18,320	14,140	11,620
450 kcmil	AA	19	0.770	19,750	15,590	13,080
450 kcmil	B&A	37	0.772	20,450	15,900	13,080
500 kcmil	AA	19	0.811	21,950	17,320	14,530
500 kcmil	B&A	37	0.813	22,510	17,550	14,530
600 kcmil	A&AA	37	0.891	27,020	21,060	17,440
600 kcmil	B	61	0.893	27,530	21,350	18,140
700 kcmil	AA	37	0.963	31,170	24,410	20,340
700 kcmil	B&A	61	0.964	31,820	24,740	20,340
750 kcmil	AA	37	0.997	33,400	26,150	21,790
750 kcmil	B&A	61	0.998	34,090	26,510	21,790
800 kcmil	AA	37	1.029	35,120	27,710	23,250
800 kcmil	B&A	61	1.031	36,360	28,270	23,250
900 kcmil	AA	37	1.092	39,510	31,170	26,150
900 kcmil	B&A	61	1.094	40,520	31,590	26,150
1000 kcmil	AA	37	1.151	43,830	34,400	29,060
1000 kcmil	B&A	61	1.152	45,030	35,100	29,060
1250 kcmil	A	61	1.288	55,670	43,590	36,320
1250 kcmil	B	91	1.289	56,280	43,880	36,320
1500 kcmil	A	61	1.411	65,840	51,950	43,590
1500 kcmil	B	91	1.412	67,540	52,650	43,590
1750 kcmil	A	91	1.526	77,930	61,020	50,850
1750 kcmil	B	127	1.526	78,800	61,430	50,850
2000 kcmil	A	91	1.630	87,790	69,270	58,120
2000 kcmil	B	127	1.632	90,050	70,210	58,120

CABLE DATA (continued)

FLEXIBLE COPPER STRANDED CABLE

Conductor Size kcmil or B & S G (AWG)	# Strands	Strand Diameter	Nominal Diameter	Class
8	41	.0201	.156	I
8	49	.0184	.166	G
8	133	.0111	.167	H
8	168	.010	.157	K
8	420	.0063	.162	M
7	49	.0206	.185	G
7	52	.0201	.185	I
7	133	.0125	.188	H
7	210	.010	.179	K
7	532	.0063	.196	M
6	49	.0231	.208	G
6	63	.0201	.207	I
6	133	.0140	.210	H
6	266	.010	.210	K
6	665	.0063	.215	M
5	49	.0260	.234	G
5	84	.0201	.235	I
5	133	.0158	.237	H
5	336	.010	.235	K
5	836	.0063	.240	M
4	49	.0292	.263	G
4	105	.0201	.263	I
4	133	.0177	.266	H
4	420	.010	.272	K
4	1064	.0063	.269	M
3	49	.0328	.295	G
3	133	.0199	.299	I
3	133	.0201	.291	H
3	532	.010	.304	K
3	1323	.0063	.305	M
2	49	.0368	.331	G
2	133	.0223	.335	I
2	161	.0201	.319	H
2	665	.010	.338	K
2	1666	.0063	.337	M
1	133	.0251	.377	G
1	210	.0201	.367	I
1	259	.018	.378	H
1	836	.010	.397	K
1	2107	.0063	.376	M

Conductor Size kcmil or B & S G (AWG)	# Strands	Strand Diameter	Nominal Diameter	Class
1/0	133	.0282	.423	I
1/0	259	.0202	.424	G
1/0	266	.0201	.441	H
1/0	1064	.010	.451	K
1/0	2646	.0063	.423	M
2/0	133	.0316	.474	G
2/0	259	.0227	.477	I
2/0	342	.0201	.500	H
2/0	1323	.010	.470	K
2/0	3325	.0063	.508	M
3/0	133	.0355	.533	G
3/0	259	.0255	.536	I
3/0	418	.0201	.549	H
3/0	1666	.010	.533	K
3/0	4256	.0063	.576	M
4/0	133	.0399	.599	G
4/0	259	.0286	.601	I
4/0	532	.0201	.613	H
4/0	2107	.010	.627	K
4/0	5320	.0063	.645	M
250	259	.0311	.650	G
250	427	.0242	.653	I
250	637	.0201	.682	H
250	2499	.010	.682	K
250	6384	.0063	.713	M
300	259	.0340	.714	G
300	427	.0265	.716	I
300	735	.0201	.737	H
300	2989	.010	.768	K
300	7581	.0063	.768	M
350	259	.0368	.773	G
350	427	.0286	.772	I
350	882	.0201	.800	H
350	3458	.010	.809	K
350	8806	.0063	.825	M
400	259	.0393	.825	G
400	427	.0306	.826	I
400	980	.0201	.831	H
400	3990	.010	.878	K
400	10101	.0063	.901	M

CABLE DATA (continued)

FLEXIBLE COPPER STRANDED CABLE (continued)

Conductor Size kcmil or B & S G (AWG)	# Strands	Strand Diameter	Nominal Diameter	Class
450	259	.0417	.876	I
450	427	.0325	.878	G
450	1127	.0201	.894	H
450	4522	.010	.933	K
450	11396	.0063	.940	M
500	259	.0439	.922	G
500	427	.0342	.923	I
500	1225	.0201	.941	H
500	5054	.010	.988	K
500	12691	.0063	.997	M
600	427	.0375	1.013	G
600	703	.0292	1.022	I
600	1470	.0201	1.027	H
600	5985	.010	1.125	K
600	14945	.0063	1.084	M
700	427	.0405	1.094	G
700	703	.0316	1.106	I
700	1729	.0201	1.194	H
700	6916	.010	1.207	K
700	17507	.0063	1.183	M
800	427	.0433	1.169	G
800	703	.0337	1.180	I
800	1995	.0201	1.290	H
800	7980	.010	1.305	K
800	20069	.0063	1.256	M
900	427	.0459	1.239	G
900	703	.0358	1.253	I
900	2261	.0201	1.372	H
900	9065	.010	1.323	K
900	22631	.0063	1.331	M
1000	427	.0484	1.307	G
1000	703	.0377	1.320	I
1000	2527	.0201	1.427	H
1000	10101	.010	1.419	K
1000	25193	.0063	1.404	M

CABLE DATA (continued)

ALUMINUM TUBE

Size of Tube IPS	Diameter of Tube (Inches)		Wall Thickness (Inches)
	Outside	Inside	
STANDARD PIPE SIZES			
1/4"	0.540	0.364	0.088
3/8"	0.675	0.493	0.091
1/2"	0.840	0.622	0.109
3/4"	1.050	0.824	0.113
1"	1.315	1.049	0.133
1-1/4"	1.660	1.380	.0140
1-1/2"	1.900	1.610	0.145
2"	2.375	2.067	0.154
2-1/2"	2.875	2.469	0.203
3"	3.500	3.068	0.213
3-1/2"	4.000	3.548	0.226
4"	4.500	4.026	0.237
4-1/2"	5.000	4.506	0.247
5"	5.563	5.047	0.258
6"	6.625	6.065	0.280

Size of Tube IPS	Diameter of Tube (Inches)		Wall Thickness (Inches)
	Outside	Inside	
EXTRA HEAVY PIPE SIZES			
1/4"	0.540	0.302	0.119
3/8"	0.675	0.423	0.126
1/2"	0.840	0.546	0.147
3/4"	1.050	0.742	0.154
1"	1.315	0.957	0.179
1-1/4"	1.660	1.278	0.191
1-1/2"	1.900	1.500	0.200
2"	2.375	1.939	0.218
2-1/2"	2.875	2.323	0.276
3"	3.500	2.900	0.300
3-1/2"	4.000	3.364	0.318
4"	4.500	3.826	0.337
4-1/2"	5.000	4.290	0.355
5"	5.563	4.813	0.375
6"	6.625	5.761	0.432

CABLE DATA (continued)

ALUMINUM 1350 CABLE
BARE-CLASSES AA AND A - Hard Drawn

Cable Code Word	Size (circular mils or AWG)	Copper Equivalent based on equal D.C. resistance, Cu 97% Al 61%	# of Wires	Cable Dia. (inches)	Ultimate Strength (pounds)
Peachbell	6	8	7	0.184	528
Rose	4	6	7	0.232	826
Lily	3	5	7	0.260	1022
Iris	2	4	7	0.292	1266
Pansy	1	3	7	0.328	1537
Poppy	1/0	2	7	0.368	1865
Aster	2/0	1	7	0.414	2350
Phlox	3/0	1/0	7	0.464	2845
Oxlip	4/0	2/0	7	0.522	3590
Daisy	266800	3/0	7	0.586	4525
Laurel	266800	3/0	19	0.593	4800
Tulip	336400	4/0	19	0.666	5940
Canna	397500	250000	19	0.724	6880
Cosmos	477000	300000	19	0.793	8090
Syringa	477000	300000	37	0.795	8600
Dahlia	556500	350000	19	0.856	9440
Mistletoe	556500	350000	37	0.858	9830
Orchid	636000	400000	37	0.918	11240
Violet	715500	450000	37	0.974	12640
Nasturtium	715500	450000	61	0.975	13150
Arbutus	795000	500000	37	1.026	13770
Lilac	795000	500000	61	1.028	14330
Anemone	874500	550000	37	1.077	14830
Crocus	874500	550000	61	1.078	15760
Magnolia	954000	600000	37	1.124	16180
Goldenrod	954000	600000	61	1.126	16860
Bluebell	1033500	650000	37	1.170	17530
Larkspur	1033500	650000	61	1.172	18260
Marigold	1113000	700000	61	1.216	19660
Narcissus	1272000	800000	61	1.300	22000
Carnation	1431000	900000	61	1.379	24300
Coreopsis	1590000	1000000	61	1.454	27000
Dogwood	1590000	1000000	91	1.454	28100

CABLE DATA (continued)

ALUMINUM 1350 CABLE
BARE-CLASS B

Size (circular mils or AWG)	Copper Equivalent based on equal D.C. resistance, Cu 97% Al 61%	# of Wires	Cable Dia. (inches)	Ultimate Strength (pounds) Hard Drawn	Minimum Ultimate Strength (pounds) 3/4 Hard	Minimum Ultimate Strength (pounds) Inter Temper
250000	157300	37	0.575	4860	3338	2946
300000	188800	37	0.629	5831	4005	3534
350000	220200	37	0.681	6680	4673	4123
400000	251500	37	0.728	7352	5341	4713
450000	283000	37	0.772	8110	6007	5301
500000	314500	37	0.813	9012	6675	5890
550000	346000	61	0.855	10490	7344	6480
600000	377000	61	0.893	11450	8010	7068
650000	409000	61	0.929	11940	8678	7657
700000	440000	61	0.964	12860	9346	8247
750000	472000	61	0.998	13510	10010	8835
800000	503000	61	1.031	14410	10680	9424
900000	566000	61	1.094	15900	12010	10600
1000000	629000	61	1.152	17670	13350	11780
1100000	692000	91	1.209	20210	14680	12950
1200000	755000	91	1.263	21630	16020	14130
1250000	786000	91	1.289	22530	16690	14720
1300000	818000	91	1.315	23430	17350	15310
1400000	880000	91	1.364	24750	18700	16500
1500000	943000	91	1.412	26500	20020	17670
1600000	1006000	127	1.459	28840	21360	18850
1700000	1069000	127	1.504	30630	22690	20020
1750000	1101000	127	1.526	31530	23350	20610
1800000	1132000	127	1.548	32450	24030	21210
1900000	1195000	127	1.590	33570	25360	22380
2000000	1258000	127	1.632	35340	26700	23560
2500000	1570000	127	1.824	43300	33380	29460
3000000	1890000	169	1.998	53010	40050	35340
3500000	2200000	169	2.158	60610	46730	41230

CABLE DATA (continued)

ACSR

Cable Code Word	Size (circular mils or AWG)	No. Alum Strands	No. Steel Strands	Complete Cable Dia. (inches)	Steel Core Dia. (inches)	Copper Equivalent based on equal D.C. resistance, Cu 97% Al 61%	Ultimate Strength (pounds)
Turkey	6	6	1	0.198	0.0661	8	1170
Thrush	5	6	1	0.223	0.0743	7	1460
Swan	4	6	1	0.250	0.0834	6	1830
Swanate	4	7	1	0.257	0.1029	6	2288
Swallow	3	6	1	0.281	0.0937	5	2250
Sparrow	2	6	1	0.316	0.1052	4	2790
Sparate	2	7	1	0.325	0.1299	4	3525
Robin	1	6	1	0.355	0.1182	3	3480
Raven	1/0	6	1	0.398	0.1327	2	4280
Quail	2/0	6	1	0.447	0.1490	1	5345
Pigeon	3/0	6	1	0.502	0.1672	1/0	6675
Penguin	4/0	6	1	0.563	0.1878	2/0	8420
Waxwing	266800	18	1	0.609	0.1217	3/0	7100
Owl	266800	26	7	0.633	0.2109	3/0	9645
Partridge	266800	26	7	0.642	0.2364	3/0	11250
Ostrich	300000	26	7	0.680	0.2505	188700	12650
Merlin	336400	18	1	0.684	0.1367	4/0	8950
Linnet	336400	26	7	0.721	0.2655	4/0	14050
Oriole	336400	30	7	0.741	0.3177	4/0	17040
Chickadee	397500	18	1	0.743	0.1486	250000	10400
Brant	397500	24	7	0.771	0.2575	250000	14690
Ibis	397500	26	7	0.783	0.2883	250000	16190
Lark	397500	30	7	0.806	0.3453	250000	19980
Pelican	477000	18	1	0.814	0.1628	300000	12300
Flicker	477000	24	7	0.846	0.2820	300000	17200
Hawk	477000	26	7	0.858	0.3162	300000	19430
Hen	477000	30	7	0.883	0.3783	300000	23300
Parakeet	556500	24	7	0.914	0.3045	350000	19850
Dove	556500	26	7	0.927	0.341	350000	22400
Eagle	556500	30	7	0.953	0.409	350000	27200
Peacock	605000	24	7	0.953	0.318	380500	21500
Squab	605000	26	7	0.966	0.356	380500	24100
Teal	605000	30	19	0.994	0.426	380500	30000
Rook	636000	24	7	0.977	0.326	400000	22600
Grosbeak	636000	26	7	0.990	0.365	400000	25000
Egret	636000	30	19	1.019	0.437	400000	31500
Flamingo	666600	24	7	1.000	0.333	419000	23700
Crow	715500	54	7	1.036	0.345	450000	26300
Starling	715500	26	7	1.051	0.387	450000	28100
Redwing	715500	30	19	1.081	0.463	450000	34600
Condor	795000	54	7	1.093	0.364	500000	28500

CABLE DATA (continued)

ACSR (continued)

Cable Code Word	Size (circular mils or AWG)	No. Alum Strands	No. Steel Strands	Complete Cable Dia. (inches)	Steel Core Dia. (inches)	Copper Equivalent based on equal D.C. resistance, Cu 97% Al 61%	Ultimate Strength (pounds)
Drake	795000	26	7	1.108	0.408	500000	31200
Mallard	795000	30	19	1.140	0.489	500000	38400
Crane	874500	54	7	1.146	0.382	550000	31400
Canary	900000	54	7	1.162	0.387	566000	32300
Cardinal	954000	54	7	1.196	0.399	600000	34200
Curlew	1033500	54	7	1.246	0.415	650000	37100
Finch	1113000	54	19	1.293	0.431	700000	40200
Pheasant	1272000	54	19	1.382	0.461	800000	44800
Plover	1431000	54	19	1.465	0.489	900000	50400
Falcon	1590000	54	19	1.545	0.515	100000	56000

HIGH STRENGTH ACSR

Cable Code Word	Size (circular mils or AWG)	No. Alum Strands	No. Steel Strands	Complete Cable Dia. (inches)	Steel Core Dia. (inches)	Copper Equivalent based on equal D.C. resistance, Cu 97% Al 61%	Ultimate Strength (pounds)
Grouse	80000	8	1	0.367	0.1670	50310	5200
Petrel	101800	12	7	0.461	0.2763	64160	9860
Minorca	110800	12	7	0.481	0.2883	69700	10730
Leghorn	134600	12	7	0.530	0.3177	84600	12920
Guinea	159000	12	7	0.576	0.3453	100000	15200
Dotterel	176900	12	7	0.607	0.3642	111200	16440
Dorking	190800	12	7	0.631	0.3783	120000	17730
Cochin	211300	12	7	0.663	0.3981	132900	19640
Brahma	203200	16	9	0.714	0.4885	127800	27500

CABLE DATA (continued)

COMPACT ALUMINUM 1350 CABLE (ASTM B400) EXTRA HARD

Conductor Size		Class	No. of Wires	Cable Diameter (Inches)	Breaking Strength (pounds)
kcmil	AWG				
1000		B	61 ¹	1.060	17700
900		B	61 ¹	0.999	15900
800		B	61 ¹	0.938	14400
750		B	61 ¹	0.908	13500
700		B	61 ¹	0.877	12900
650		B	61 ¹	0.845	11900
600		B	61 ¹	0.813	11500
556		AA	19 ³	0.780	9750
550		B	61 ¹	0.775	10500
500		B	37 ²	0.736	9110
500		AA	19 ³	0.736	8760
477		AA	19 ³	0.722	8360
450		B	37 ²	0.700	8200
400		B	37 ²	0.659	7440
397		AA, A	19 ³	0.659	7110
350		B	37 ²	0.616	6760
350		A	19 ³	0.616	6390
336		A	19 ³	0.603	6150
336		AA	7	0.603	5960
300		B	37 ²	0.570	5890
300		A	19 ³	0.570	5480
300		AA	7	0.570	5430
266		A	19 ³	0.537	4970
266		AA	7	0.537	4830
250		B	37 ²	0.520	4910
250		A	19 ³	0.520	4660
250		AA	7	0.520	4520
	4/0	B	19 ³	0.475	4020
	4/0	AA, A	7	0.475	3830
	3/0	B	19 ³	0.423	3310
	3/0	AA, A	7	0.423	3040
	2/0	B	19 ³	0.376	2670
	2/0	AA, A	7	0.376	2510
	1/0	B	19 ³	0.336	2160
	1/0	AA, A	7	0.336	1990
	1	B	19 ³	0.299	1740
	1	AA, A	7	0.299	1640
	2	AA, A, B	7	0.268	1350
	3	A, B	7	0.238	1090
	4	A, B	7	0.213	.881
	6	A, B	7	0.169	.563
	8	A, B	7	0.134	.312

¹ 58 Wires Minimum
² 35 Wires Minimum
³ 18 Wires Minimum

CABLE DATA (continued)

ALUMINUM ALLOY 5005 CABLE (ASTM B397)

Conductor Size cmil	Number of Wires	Approx. Aluminum 1350 Size having Equivalent Resistance		Size & Stranding of ACSR with Equal Diameter			Rated Strength (pounds)
		cmil	AWG	cmil	AWG	Stranding	
927200	37	795000	-	795000	-	26/7	23900
740800	37	636000	-	636000	-	26/7	19300
652400	19	556500	-	556500	-	26/7	16200
587200	19	506500	-	506500	-	18/1	14600
559500	19	477000	-	477000	-	26/7	13900
503600	19	435500	-	435500	-	18/1	12500
465400	19	397500	-	397500	-	26/7	12200
419400	19	362000	-	362000	-	18/1	11200
394500	19	336400	-	336400	-	26/7	10500
355100	19	306400	-	306400	-	18/1	9600
312800	19	266800	-	266800	-	26/7	8450
281400	19	242900	-	242900	-	18/1	7610
246900	7	211600	4/0	211600	4/0	6/1	6330
195700	7	167800	3/0	167800	3/0	6/1	5020
155400	7	133100	2/0	133100	2/0	6/1	4280
123300	7	105600	1/0	105600	1/0	6/1	3440
77470	7	66360	2	66360	2	6/1	2200
48690	7	41740	4	41740	4	6/1	1430
30580	7	26240	6	26240	6	6/1	922

ALUMINUM ALLOY 6201 CABLE (ASTM B399)

Conductor Size cmil	Number of Wires	Approx. Aluminum 1350 Size having Equivalent Resistance		Size & Stranding of ACSR with Equal Diameter			Rated Strength (pounds)
		cmil	AWG	cmil	AWG	Stranding	
1439200	61	1272000	-	1272000	-	54/7	46800
1348800	61	1192500	-	1192500	-	54/7	43900
1259600	61	1113000	-	1113000	-	54/7	41000
1165100	61	1033500	-	1033500	-	54/7	37900
1077400	61	954000	-	954000	-	54/7	35000
927200	37	795000	-	795000	-	26/7	30500
740800	37	636000	-	636000	-	26/7	24400
652400	19	556500	-	556500	-	26/7	21900
559500	19	477000	-	477000	-	26/7	18800
465400	19	397500	-	397500	-	26/7	15600
394500	19	336400	-	336400	-	26/7	13300
312800	19	266800	-	266800	-	26/7	11000
246900	7	211600	4/0	211600	4/0	6/1	8560
195700	7	167800	3/0	167800	3/0	6/1	6790
155400	7	133100	2/0	133100	2/0	6/1	5390
123300	7	105600	1/0	105600	1/0	6/1	4460
77470	7	66360	2	66360	2	6/1	2800
48690	7	41740	4	41740	4	6/1	1760
30580	7	26240	6	26240	6	6/1	1110

CABLE DATA (continued)

ALUMINUM ALLOY 8000 SERIES “O” TEMPER CABLE ASTM B801)

Conductor Size		Number of Wires†	Class	Conductor Diameter (inches)			Min. Breaking Strength (pounds)
kcmil	AWG			Conventional	Compressed	Compact	
1000		127	D	1.153	1.119	1.060	6010
1000		91	C	1.153	1.118	1.060	6010
1000		61	B, A	1.152	1.117	1.060	6010
900		127	D	1.095	1.062	0.999	5400
900		91	C	1.093	1.060	0.999	5400
900		61	B, A	1.093	1.060	0.999	5400
800		127	D	1.032	1.001	0.938	4800
800		91	C	1.032	1.001	0.938	4800
800		61	B, A	1.031	1.000	0.938	4800
750		127	D	0.998	0.968	0.908	4500
750		91	C	0.999	0.969	0.908	4500
750		61	B, A	0.998	0.938	0.908	4500
700		127	D	0.965	0.936	0.877	4200
700		91	C	0.965	0.936	0.877	4200
700		61	B, A	0.964	0.935	0.877	4200
650		127	D	0.930	0.902	0.845	3900
650		91	C	0.930	0.902	0.845	3900
650		61	B	0.929	0.901	0.845	3900
650		37	A	0.928	0.900	0.845	3950
600		127	D	0.893	0.866	0.813	3600
600		91	C	0.893	0.866	0.813	3600
600		61	B	0.893	0.866	0.813	3600
600		37	A	0.891	0.864	0.813	3640
556		127	D	0.861	0.835	0.780	3340
556		91	C	0.860	0.834	0.780	3340
556		61	B	0.860	0.834	0.780	3340
556		37	A	0.858	0.832	0.780	3380
550		127	D	0.855	0.829	0.775	3300
550		91	C	0.855	0.829	0.775	3300
550		61	B	0.855	0.829	0.775	3300
550		37	A	0.853	0.827	0.775	3340
500		91	D	0.815	0.791	0.736	3000
500		61	C	0.815	0.791	0.736	3000
500		37	B, A	0.813	0.789	0.736	3040
477		91	D	0.796	0.772	0.722	2860
477		61	C	0.796	0.772	0.722	2860
477		37	B, A	0.795	0.771	0.722	2900
450		91	D	0.773	0.750	0.700	2700
450		61	C	0.773	0.750	0.700	2700
450		37	B, A	0.772	0.749	0.700	2730

CABLE DATA (continued)

ALUMINUM ALLOY 8000 SERIES "O" TEMPER CABLE (ASTM B801) Continued

Conductor Size		Number of Wires†	Class	Conductor Diameter (inches)			Min. Breaking Strength (pounds)
kcmil	AWG			Conventional	Compressed	Compact	
400		91	D	0.729	0.707	0.659	2400
400		61	C	0.729	0.707	0.659	2400
400		37	B, A	0.728	0.706	0.659	2430
397		91	D	0.727	0.705	0.659	2390
397		61	C	0.726	0.704	0.659	2390
397		37	B	0.725	0.703	0.659	2410
397		19	A	0.724	0.702	0.659	2470
350		91	D	0.682	0.661	0.616	2100
350		61	C	0.681	0.661	0.616	2100
350		37	B	0.681	0.661	0.616	2130
350		19	A	0.679	0.659	0.616	2170
336		61	C	0.669	0.649	0.603	2020
336		37	B	0.668	0.648	0.603	2040
336		19	A	0.666	0.646	0.603	2090
300		61	C	0.631	0.612	0.570	1800
300		37	B	0.630	0.611	0.570	1820
300		19	A	0.629	0.610	0.576	1860
266		61	C	0.595	0.577	0.537	1600
266		37	B	0.594	0.576	0.537	1620
266		19	A	0.593	0.575	0.537	1660
250		61	C	0.576	0.559	0.520	1500
250		37	B	0.575	0.558	0.520	1520
250		19	A	0.574	0.557	0.520	1550
	4/0	37	C	0.529	0.513	0.475	1280
	4/0	19	B	0.528	0.512	0.475	1310
	4/0	7	A	0.522	0.506	0.475	1360
	3/0	37	C	0.471	0.457	0.423	1020
	3/0	19	B	0.470	0.456	0.423	1040
	3/0	7	A	0.464	0.450	0.423	1070
	2/0	19	B	0.419	0.406	0.376	826
	2/0	7	A	0.414	0.402	0.376	853
	1/0	19	B	0.373	0.362	0.336	655
	1/0	7	A	0.368	0.357	0.336	676
	1	19	B	0.332	0.322	0.229	519
	2	7	B, A	0.292	0.283	0.268	425
	3	7	B, A	0.260	0.252	0.238	337
	4	7	B, A	0.232	0.225	0.213	267
	6	7	B, A	0.184	0.178	0.169	168
	8	7	B, A	0.146	0.142	0.134	106

† For compact-stranded constructions, the number of wires may be reduced as follows:

19-Wire Constructions - 18 Wires Minimum

61-Wire Constructions - 58 Wires Minimum

127-Wire Constructions - 122 Wires Minimum

37-Wire Constructions - 35 Wires Minimum

91-Wire Constructions - 87 Wires Minimum

CABLE DATA (continued)

COMPACT ACSR (ASTM B401)

Conductor Size		Cable Diameter (Inches)	Breaking Strength (pounds)
kcmil	AWG		
336.4		0.628	8260
266.8		0.559	6540
	4/0	0.517	7420
	3/0	0.461	5880
	2/0	0.410	4880
	1/0	0.365	3980
	1	0.326	3290
	2	0.298	3260
	2	0.290	2640
	3	0.258	2130
	4	0.236	2160
	4	0.229	1760
	6	0.182	1120

ACSR/TW (TRAP WIRE) CABLE (ASTM B779)

Conductor Size kcmil	Stranding		Nominal Diameter (inches)	Rated Strength (pounds)
	No. Aluminum Wires	No. Steel Wires		
336.4	14	1	0.63	8600
405.1	14	1	0.68	10200
477.0	18	7	0.78	17200
477.0	18	7	0.79	19400
556.5	18	7	0.84	20000
556.5	20	7	0.85	22600
565.3	20	7	0.86	22900
571.7	18	7	0.85	20600
636.0	27	1	0.85	13500
636.0	18	7	0.89	22900
636.0	20	7	0.91	25400
664.8	20	7	0.93	26600
666.6	20	7	0.91	24000
762.8	20	7	0.99	30500
768.2	20	7	0.98	27700
768.9	27	1	0.93	16400
795.0	17	7	0.96	21000
795.0	18	7	0.98	25900
795.0	20	7	0.99	28200
795.0	20	7	1.01	31800
946.7	35	7	1.08	29600
954.0	30	7	1.05	23700

Conductor Size kcmil	Stranding		Nominal Diameter (inches)	Rated Strength (pounds)
	No. Aluminum Wires	No. Steel Wires		
954.0	32	7	1.06	25900
954.0	20	7	1.08	33500
957.2	32	7	1.06	26000
959.6	22	7	1.11	37000
966.2	21	7	1.09	34000
1033.5	30	7	1.09	25700
1033.5	32	7	1.10	28100
1033.5	21	7	1.13	36300
1113.0	30	7	1.13	27500
1113.0	33	7	1.14	30000
1113.0	38	19	1.19	39100
1158.0	33	7	1.17	31600
1158.4	25	7	1.20	39600
1168.1	30	7	1.16	28900
1192.5	30	7	1.17	29500
1192.5	33	7	1.18	32400
1192.5	38	19	1.22	41900
1233.6	38	19	1.25	42900
1257.1	35	7	1.21	34200
1272.0	30	7	1.20	31400
1272.0	35	7	1.22	34600
1272.0	39	19	1.26	44100

CABLE DATA (continued)

ACSR/TW (TRAP WIRE) Continued

Conductor Size kcmil	Stranding		Nominal Diameter (inches)	Rated Strength (pounds)
	No. Aluminum Wires	No. Steel Wires		
1334.6	39	19	1.29	46300
1351.5	35	7	1.26	36700
1351.4	39	19	1.30	46800
1359.7	36	7	1.26	36900
1372.5	30	7	1.25	33400
1431.0	36	7	1.29	38900
1431.0	39	19	1.34	49600
1433.6	39	19	1.34	49700
1455.3	36	7	1.30	39200
1467.8	33	7	1.29	35800
1533.3	39	19	1.38	53200
1557.4	36	7	1.35	41900
1569.0	33	7	1.33	38200

Conductor Size kcmil	Stranding		Nominal Diameter (inches)	Rated Strength (pounds)
	No. Aluminum Wires	No. Steel Wires		
1590.0	36	7	1.36	42200
1590.0	42	19	1.41	55100
1622.0	39	19	1.42	57500
1657.4	36	7	1.39	44000
1730.6	39	19	1.47	59400
1758.6	37	19	1.47	34600
1780.0	37	19	1.45	50700
1926.9	42	19	1.55	65300
1949.6	42	7	1.50	51900
2153.8	64	19	1.60	61100
2156.0	64	19	1.61	61100
2627.3	64	19	1.76	74500

AAC/TW (ALL ALUMINUM TRAP WIRE) (ASTM B778)

Conductor Size kcmil	Nominal Diameter (inches)	Number of Wires	Rated Strength (pounds)
336.4	0.612	17	6220
397.5	0.661	17	7230
477.0	0.720	17	8530
500.0	0.736	17	8940
556.5	0.775	17	9950
600.0	0.803	17	10700
636.0	0.825	17	11400
700.0	0.864	17	12500
750.0	0.893	17	13400
795.0	0.919	17	13900
900.0	0.990	31	15800
954.0	1.018	31	16700
1000.0	1.041	31	17500
1033.5	1.057	31	18100
1113.0	1.095	31	19500
1192.5	1.132	31	20900
1272.0	1.168	31	22300
1351.5	1.202	31	23700
1431.0	1.236	31	24600
1590.0	1.315	49	27300
1750.0	1.377	49	30000
2000.0	1.468	49	34300

CABLE DATA (continued)

ACAR CABLE (ASTM B524)

Conductor Size		Number of Wires	Nominal Outside Diameter (inches)
kcmil	AWG		
2000		91	1.630
2000		61	1.630
1900		61	1.588
1800		61	1.546
1750		61	1.525
1700		61	1.502
1600		61	1.458
1500		61	1.411
1400		61	1.364
1300		61	1.314
1300		37	1.312
1250		61	1.288
1250		37	1.287
1200		61	1.263
1200		37	1.261
1100		61	1.209
1100		37	1.207
1000		61	1.152
1000		37	1.151
950		37	1.121
900		37	1.092
850		37	1.061
800		37	1.029
750		37	0.997
700		37	0.962
650		37	0.928
600		37	0.891
600		19	0.888
550		37	0.853
550		19	0.850
500		37	0.813
500		19	0.811
450		19	0.770
400		19	0.726
350		19	0.678
300		19	0.628
250		19	0.574
246.9		7	0.563

Conductor Size		Number of Wires	Nominal Outside Diameter (inches)
kcmil	AWG		
	4/0	7	0.522
195.7		7	0.502
	3/0	7	0.464
155.4		7	0.447
	2/0	7	0.414
123.3		7	0.398
	1/0	7	0.368
77.4		7	0.316
	2	7	0.292
48.6		7	0.250
	4	7	0.232
30.5		7	0.198

SSAC CABLE

Size AWG or kcmil	# Alum Strands	# Steel Strands	Conductor Diameter	Rated Strength (pounds)
266.8	22	7	.622	6030
266.8	24	7	.633	7410
266.8	26	7	.642	8880
266.8	30	7	.660	11700
300.0	26	7	.680	9970
336.4	20	7	.692	5990
336.4	22	7	.701	7610
336.4	24	7	.710	9340
336.4	26	7	.720	11200
336.4	30	7	.741	14800
397.5	20	7	.752	7090
397.5	22	7	.762	8990
397.5	24	7	.772	11000
397.5	26	7	.783	13000
397.5	30	7	.806	17500
477.0	20	7	.823	8490
477.0	22	7	.834	10800
477.0	24	7	.846	13000
477.0	26	7	.858	15600
477.0	30	7	.883	21000
500.0	30	7	.904	22000

CABLE DATA (continued)

SSAC CABLE (Continued)

Size AWG or kcmil	# Alum Strands	# Steel Strands	Conductor Diameter	Rated Strength (pounds)
556.5	20	7	.890	9910
556.5	22	7	.901	12600
556.5	24	7	.914	15200
556.5	26	7	.927	18200
556.5	30	7	.953	24500
605.0	24	7	.953	16500
605.0	26	7	.966	19700
605.0	30	7	.994	26000
605.0	30	19	.994	26600
636.0	20	7	.951	11300
636.0	22	7	.963	14100
636.0	24	7	.977	17300
636.0	26	7	.990	20700
636.0	30	7	1.019	27400
636.0	30	19	1.019	28000
666.6	24	7	1.000	18200
666.6	26	7	1.104	21700
715.5	24	7	1.036	19500
715.5	26	7	1.051	23300
715.5	30	19	1.081	30800
795.0	42	7	1.055	11800
795.0	20	7	1.063	14200
795.0	45	7	1.063	14200
795.0	22	7	1.077	17700
795.0	24	7	1.092	21700
795.0	54	7	1.092	21700
795.0	26	7	1.108	25900
795.0	30	19	1.140	34300
900.0	45	7	1.131	15800
900.0	54	7	1.162	24600
954.0	42	7	1.155	14200
954.0	20	7	1.185	16700
954.0	45	7	1.165	16700
954.0	48	7	1.175	19700
954.0	24	7	1.196	26000
954.0	54	7	1.196	26000
954.0	30	19	1.248	41100
1033.5	42	7	1.203	15400

Size AWG or kcmil	# Alum Strands	# Steel Strands	Conductor Diameter	Rated Strength (pounds)
1033.5	45	7	1.212	18100
1033.5	48	7	1.222	21300
1033.5	54	7	1.245	28200
1113.0	42	7	1.248	16300
1113.0	45	7	1.259	19500
1113.0	48	7	1.269	23000
1113.0	54	19	1.293	30400
1192.5	42	7	1.292	17500
1192.5	45	7	1.302	20900
1192.5	48	7	1.313	24600
1192.5	54	19	1.338	32600
1272.0	42	7	1.334	18700
1272.0	45	7	1.345	22300
1272.0	48	7	1.357	26200
1272.0	54	19	1.382	34100
1351.5	42	7	1.376	19900
1351.5	45	7	1.386	23700
1351.5	48	7	1.398	27900
1351.5	54	19	1.424	36200
1431.0	42	7	1.415	21000
1431.0	45	7	1.427	25100
1431.0	48	7	1.439	29500
1431.0	54	19	1.465	38400
1510.5	45	7	1.466	26500
1510.5	54	19	1.505	40500
1590.0	42	7	1.492	23400
1590.0	45	7	1.504	27900
1590.0	48	7	1.517	32200
1590.0	54	19	1.545	42600
1780.0	84	19	1.602	35400
1869.0	68	7	1.603	21500
2034.5	72	7	1.681	27200

CABLE DATA (continued)

SOLID COPPERWELD CABLE (ASTM B227)

Conductor Size (AWG)	Nominal Diameter (inches)	Circular Mils	Minimum Breaking Load (pounds)			
			Grade 40 HS	Grade 40 EHS	Grade 30 HS	Grade 30 EHS
4	0.2043	41740	3540	-	3934	4671
5	0.1819	33090	2937	-	3249	3911
-	0.1650*	27230	2779	-	2779	3367
6	0.1620	26240	2679	-	2679	3246
7	0.1443	20820	2207	-	2207	2681
8	0.1285	16510	1816	-	1816	2205
-	0.1280*	16380	1802	-	1802	2188
9	0.1144	13090	1491	-	1491	1790
-	0.1040*	10820	1283	1325	1283	1487
10	0.1019	10380	1231	-	1231	1460
12	0.0808	6530	774	-	774	918
-	0.0800*	6400	759	-	759	900
-	0.0640*	4096	485	-	485	576
18	0.0403	1624	193	-	193	228
-	0.0390*	1521	180	-	180	214
20	0.0320	1024	121	-	121	144

* These diameters are often employed by purchasers for communication lines BUT are not in the American Wire Gauge (B&S Wire Gauge) series, as are the other diameter listed.

STRANDED COPPERWELD CABLE (ASTM B228)

Nominal Diameter† (inch) Size AWG‡	Circular Mils	Diameter* (inch)	Breaking Load (pounds)**		
			High Strength		Extra High Strength
			40% Cond.	30% Cond.	30% Cond.
7/8 (19 No. 5)	628900	.910	50240	55570	66910
13/16 (19 No. 6)	498800	.810	41600	45830	55530
23/32 (19 No. 7)	395500	.721	34390	37740	45850
27/32 (19 No. 8)	313700	.642	28380	31040	37690
9/16 (19 No. 9)	248800	.572	23390	25500	30610
5/8 (7 No. 4)	292200	.613	22310	24780	29430
9/16 (7 No. 5)	231700	.546	18510	20470	24650
1/2 (7 No. 6)	183800	.486	15330	16890	20460
7/16 (7 No. 7)	145700	.433	12670	13910	16890
3/8 (7 No. 8)	115600	.385	10460	11440	13890
11/32 (7 No. 9)	91650	.343	8616	9393	11280
5/16 (7 No. 10)	72680	.306	7121	7758	9196
3 No. 5	99310	.392	8373	9262	11860
3 No. 6	78750	.349	6934	7639	9754
3 No. 7	62450	.311	5732	6291	7922
3 No. 8	49530	.277	4730	5174	6282
3 No. 9	39280	.247	3898	4250	5129
3 No. 10	31150	.220	3221	3509	4160
3 No. 12	19590	.174	2236	-	-

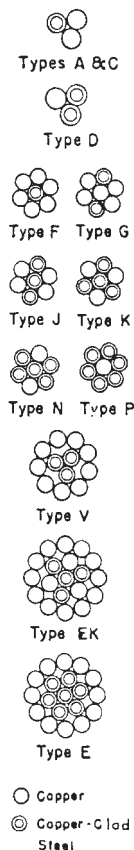
† The designation "inch" is the approximate diameter in proper fraction of an inch.
 ‡ The designation AWG is a combination of the number of wires each of the American Wire Gauge size indicated by "No."
 * Diameter of circumscribing.
 ** Breaking loads of 7-wire and 19-wire conductors are taken as 90% of the sum of the breaking loads of individual wires; breaking load of 3-wire conductors is taken as 95% of the sum of the breaking loads of the individual wires.

CABLE DATA (continued)

COPPERWELD-COPPER CABLE (ASTM B229)

Conductor size Hard Drawn Copper Equivalent			Nom. Dia. of Conductor (inches)	Min. Breaking Load (pounds)
cmil	AWG	Type		
350000	-	E	0.788	32420
350000	-	EK	0.735	23850
350000	-	V	0.754	23480
300000	-	E	0.729	27770
300000	-	EK	0.680	20960
300000	211600	V	0.698	20730
250000	-	E	0.666	23920
250000	-	EK	0.621	17840
250000	-	V	0.637	17420
	4/0	E	0.613	20730
211600	4/0	G	0.583	15640
211600	4/0	EK	0.571	15370
211600	4/0	V	0.586	15000
211600	4/0	F	0.550	12290
167800	3/0	E	0.545	16800
167800	3/0	J	0.555	16170
167800	3/0	G	0.519	12860
167800	3/0	EK	0.509	12370
167800	3/0	V	0.522	12200
167800	3/0	F	0.490	9980
133100	2/0	K	0.534	17600
133100	2/0	J	0.494	13430
133100	2/0	G	0.463	10510
133100	2/0	V	0.465	9846
133100	2/0	F	0.436	8094
105600	1/0	K	0.475	14490
105600	1/0	J	0.440	10970
105600	1/0	G	0.412	8563
105600	1/0	F	0.388	6536
83690	1	N	0.464	15410
83690	1	K	0.423	11900
83690	1	J	0.392	9000
83690	1	G	0.367	6956
83690	1	F	0.346	5266
66360	2	P	0.462	16870
66360	2	N	0.413	12680
66360	2	K	0.377	9730
66360	2	J	0.349	7322
66360	2	A	0.366	5876
66360	2	G	0.327	5626
66360	2	F	0.308	4233
55620	3	P	0.411	13910
52620	3	N	0.368	10390

Conductor size Hard Drawn Copper Equivalent			Nom. Dia. of Conductor (inches)	Min. Breaking Load (pounds)
cmil	AWG	Type		
52620	3	K	0.336	7910
52620	3	J	0.311	5955
52620	3	A	0.326	4810
41740	4	P	0.366	11420
41740	4	N	0.328	8460
41740	4	D	0.348	7340
41740	4	A	0.290	3938
33090	5	P	0.326	9311
33090	5	D	0.310	6035
33090	5	A	0.258	3193
26240	6	D	0.276	4942
26240	6	A	0.230	2585
26240	6	C	0.225	2143
20820	7	D	0.246	4022
20820	7	A	0.223	2754
16510	8	D	0.219	3256
16510	8	A	0.199	2233
16510	8	C	0.179	1362
11750	9	D	0.174	1743



CABLE DATA (continued)

GALVANIZED STEEL CABLE (ASTM A475)

inches	Nom. Dia. of Strand (mm)	Number of Wires in Strand	Minimum Breaking Load (pounds)				
			Utilities Grade	Common Grade	Siemens-Martin Grade	High-Strength Grade	Extra High-Strength Grade
1/8	3.18	7	-	540	910	1330	1830
5/32	3.97	7	-	870	1470	2140	2940
3/16	4.76	7	-	1150	1900	2850	3990
3/16	4.76	7	2400	-	-	-	-
7/32	5.56	3	-	1400	2340	3500	4900
7/32	5.56	7	-	1540	2560	3850	5400
1/4	6.35	3	3150	1860	3040	4730	6740
1/4	6.35	3	4500	-	-	-	-
1/4	6.35	7	-	1900	3150	4750	6650
9/32	7.14	3	-	2080	3380	5260	7500
9/32	7.14	7	4600	2570	4250	6400	8950
5/16	7.94	3	6500	2490	4090	6350	9100
5/16	7.94	7	-	3200	5350	8000	11200
5/16	7.94	7	6000	-	-	-	-
3/8	9.52	3	8500	3330	5560	8360	11800
3/8	9.52	7	11500	4250	6950	10800	15400
7/16	11.11	7	18000	5700	9350	14500	20800
1/2	12.70	7	25000	7400	12100	18800	26900
1/2	12.70	19	-	7620	12700	19100	26700
9/16	14.29	7	-	9600	15700	24500	35000
9/16	14.29	19	-	9640	16100	24100	33700
5/8	15.88	7	-	11600	19100	29600	42400
5/8	15.88	19	-	11000	18100	28100	40200
3/4	19.05	19	-	16000	26200	40800	58300
7/8	22.22	19	-	21900	35900	55800	79700
1	25.40	9	-	28700	47000	73200	104500
1	25.40	37	-	28300	46200	71900	102700
1-1/8	28.58	37	-	36000	58900	91600	130800
1-1/4	31.75	37	-	44600	73000	113600	162200





















CABLE DATA (continued)

ALUMINUM-COATED STEEL CABLE (ASTM A474)

Nom. Dia. of Strand (inches)	Number of Wires in Strand	Minimum Breaking Strength (pounds)				
		Utilities Grade*	Common Grade	Siemens-Martin Grade	High-Strength Grade	Extra High-Strength Grade
3/16	7		1150	1900	2850	
3/16	7	2400				
1/4	3	3150				
1/4	3	4500				
1/4	7		1900	3150	4750	6650
9/32	7	4600				
5/16	3	6500				
5/16	7		3200	5350	8000	11200
5/16	7	6000				
3/8	3	8500				
3/8	7	11500	4250	6950	10800	15400
7/16	7	18000	5350	9350	14500	20800
1/2	7	25000	7400	12100	18800	26900

* The Utilities Grade is used principally by communications and power and light industries.

TERMINAL STUD SIZE CHART*

STUD SIZE	#0	#1	#2	#3	#4	#5	#6	#8	#10	#12	#14	1/4"	5/16"	3/8"
Stud Diameter	.060	.073	.086	.090	.112	.125	.138	.164	.190	.216	.242	.250	.312	.375
														
Stud Hole	.067	.093	.119			.145	.171	.197	.223	.250	17/64	21/64	25/64	
STUD SIZE	7/16"		1/2"		5/8"		3/4"		7/8"		1"			
Stud Diameter	.437		.500		.625		.750		.875		1.000			
														
Stud Hole	29/64		33/64		21/32		29/32		29/32		1 - 1/32			

*Tolerance .003" on decimal and .005" on fractional dimensions

AWG VS. METRIC WIRE SIZES

Circ. Mils	Equivalent Circ. Mils	AWG Size	Metric Wire Size (mm)	Number of Strands	Wire Dia. per Strand		Approx. Overall Diameter	
					inches	mm	inches	mm
-	937	-	.50	1	.032	.813	.032	.81
1020	-	20	-	7	.0121	.307	.036	.91
-	1480	-	.75	1	.039	.091	.039	.99
1620	-	18	-	1	.0103	1.02	.040	1.02
1620	-	18	-	7	.0152	.386	.046	1.16
-	1974	-	1.0	1	.045	1.14	.045	1.14
-	1974	-	1.0	7	.017	.422	.061	1.30
2580	-	16	-	1	.0503	1.29	.051	1.29
2580	-	16	-	7	.0192	.468	.058	1.46
-	2960	-	1.5	1	.055	1.40	.055	1.40
-	2960	-	1.5	7	.021	5.33	.063	1.60
4110	-	14	-	1	.0641	1.63	.064	1.63
4110	-	14	-	7	.0242	.615	.073	1.84
-	4934	-	2.5	1	.071	1.80	.071	1.80
-	4934	-	2.5	7	.027	6.66	.081	2.06
6530	-	12	-	1	.0308	2.05	.081	2.05
6530	-	12	-	7	.0305	.775	.092	2.32
-	7894	-	4	1	.089	2.26	.089	2.26
-	7894	-	4	7	.034	.864	.102	2.59
10380	-	10	-	1	.1019	2.59	.102	2.59
10380	-	10	-	7	.0355	.978	.116	2.93
-	11840	-	6	1	.109	2.77	.109	2.77
-	11840	-	6	7	.042	.107	.126	3.21
13000	-	9	-	1	.1144	2.91	.114	2.91
13090	-	9	-	7	.0432	1.10	.130	3.30
16510	-	8	-	1	.1285	3.26	.128	3.25
16510	-	8	-	7	.0486	1.23	.146	3.70
-	19740	-	10	1	.141	3.58	.141	3.58
-	19740	-	10	7	.054	1.37	.162	4.12
20520	-	7	-	1	.1443	3.67	.144	3.67
20520	-	7	-	7	.0545	1.38	.164	4.15
26240	-	6	-	1	.162	4.11	.162	4.11
26240	-	6	-	7	.0612	1.55	.184	4.66
-	31580	-	16	7	.008	1.73	.204	5.13
33090	-	5	-	7	.0688	1.75	.206	5.24
41740	-	4	-	7	.0772	1.96	.232	5.88
-	49340	-	25	7	.085	2.16	.255	6.48
-	49340	-	25	19	.052	1.32	.260	6.60
52620	-	3	-	7	.0867	2.20	.260	6.61
66300	-	2	-	7	.0974	2.47	.292	7.42
-	69070	-	35	7	.100	2.54	.300	7.62
-	69070	-	35	19	.001	1.55	.305	7.75

AWG VS. METRIC WIRE SIZES (continued)

Circ. Mils	Equivalent Circ. Mils	AWG Size	Metric Wire Size (mm)	Number of Strands	Wire Dia. per Strand		Approx. Overall Diameter	
					inches	mm	inches	mm
83690	-	1	-	19	.0064	1.50	.332	8.43
-	98680	-	50	19	.073	1.85	.365	9.27
105000	-	1/0	-	19	.0745	1.59	.373	9.46
133100	-	2/0	-	19	.0837	2.13	.419	10.6
-	138100	-	70	19	.086	2.18	.430	10.9
167800	-	3/0	-	19	.094	2.59	.470	11.9
167800	-	3/0	-	36	.0673	1.71	.471	12.0
-	187500	-	95	19	.101	2.57	.505	12.8
-	187500	-	95	37	.072	1.83	.504	12.5
211600	-	4/0	-	19	.1055	2.89	.528	13.4
-	237.8 kcmil	-	120	37	.081	2.06	.567	14.4
250 kcmil	-	-	-	37	.0822	2.07	.575	14.6
300 kcmil	-	-	150	37	.090	2.29	.630	16.0
350 kcmil	-	-	-	37	.0973	2.47	.681	17.3
-	365.1 kcmil	-	185	37	.100	2.54	.700	17.8
400 kcmil	-	-	-	37	.104	2.64	.728	18.5
-	473.6 kcmil	-	240	37	.114	2.90	.798	20.3
-	473.6 kcmil	-	240	61	.089	2.26	.801	20.3
500 kcmil	-	-	-	37	.1162	2.95	.813	20.7
500 kcmil	-	-	-	61	.0905	2.30	.814	20.7
-	592.1 kcmil	-	300	61	.099	2.51	.891	22.6
600 kcmil	-	-	-	61	.0992	2.52	.893	22.7
700 kcmil	-	-	-	61	.1071	2.72	.964	24.5
750 kcmil	-	-	-	6	.1109	2.82	.998	25.4
750 kcmil	-	-	-	91	.0908	2.31	.998	25.4
-	789.4 kcmil	-	400	61	.114	2.90	1.026	26.1
800 kcmil	-	-	-	61	.1145	2.91	1.031	26.2
800 kcmil	-	-	-	91	.0938	2.38	1.032	26.2
1000 kcmil	986.8 kcmil	-	500	61	.1280	3.25	1.152	28.3
1000 kcmil	-	-	-	91	.1048	2.66	1.153	29.3
-	1233.7 kcmil	-	625	91	.117	2.97	1.287	32.7
1250 kcmil	-	-	-	91	.1172	2.93	1.289	32.7
1250 kcmil	-	-	-	127	.0992	2.52	1.200	32.8
1500 kcmil	-	-	-	91	.1284	3.26	1.412	36.9
1500 kcmil	-	-	-	127	.1087	2.76	1.413	36.9
-	1578.8 kcmil	-	800	91	.132	3.35	1.452	36.9
-	1973.5 kcmil	-	1000	91	.147	3.73	1.617	41.1
2000 kcmil	-	-	-	127	.1255	3.19	1.632	41.5
2000 kcmil	-	-	-	169	.1088	2.76	1.632	41.5

INCHES & MILLIMETERS CONVERSION CHART

INCHES		MM	INCHES		MM	MM	INCHES	MM	INCHES
$\frac{1}{64}$.015625	0.397	$\frac{33}{64}$.515625	13.097	.1	.0039	46	1.8110
$\frac{1}{32}$.03125	0.794	$\frac{17}{32}$.53125	13.494	.2	.0079	47	1.8504
$\frac{3}{64}$.046875	1.191	$\frac{35}{64}$.546875	13.891	.3	.0118	48	1.8898
$\frac{1}{16}$.0625	1.588	$\frac{9}{16}$.5625	14.288	.4	.0157	48	1.9291
$\frac{5}{64}$.078125	1.984	$\frac{37}{64}$.578125	14.684	.5	.0197	50	1.9685
$\frac{3}{32}$.09375	2.381	$\frac{19}{32}$.59375	15.081	.6	.0236	51	2.0079
$\frac{7}{64}$.109375	2.778	$\frac{39}{64}$.609375	15.478	.7	.0276	52	2.0472
$\frac{1}{8}$.1250	3.175	$\frac{5}{8}$.6250	15.875	.8	.0315	53	2.0866
$\frac{9}{64}$.140625	3.572	$\frac{41}{64}$.640625	16.272	.9	.0354	54	2.1260
$\frac{5}{32}$.15625	3.969	$\frac{21}{32}$.65625	16.669	1	.0394	55	2.1654
$\frac{11}{64}$.171875	4.366	$\frac{43}{64}$.671875	17.066	2	.0787	56	2.2047
$\frac{3}{16}$.1875	4.763	$\frac{11}{16}$.6875	17.463	3	.1181	57	2.2441
$\frac{13}{64}$.203125	5.159	$\frac{45}{64}$.703125	17.859	4	.1575	58	2.2835
$\frac{7}{32}$.21875	5.556	$\frac{23}{32}$.71875	18.256	5	.1969	59	2.3228
$\frac{15}{64}$.234375	5.953	$\frac{47}{64}$.734375	18.653	6	.2362	60	2.3622
$\frac{1}{4}$.2500	6.350	$\frac{3}{4}$.7500	19.050	7	.2756	61	2.4016
$\frac{17}{64}$.265625	6.747	$\frac{49}{64}$.765625	19.447	8	.3150	62	2.4409
$\frac{9}{32}$.28125	7.144	$\frac{25}{32}$.78125	19.844	9	.3543	63	2.4803
$\frac{19}{64}$.296875	7.541	$\frac{51}{64}$.796875	20.241	10	.3937	64	2.5197
$\frac{5}{16}$.3125	7.938	$\frac{13}{16}$.8125	20.638	11	.4331	65	2.5591
$\frac{21}{64}$.328125	8.334	$\frac{53}{64}$.828125	21.034	12	.4724	66	2.5984
$\frac{11}{32}$.34375	8.731	$\frac{27}{32}$.84375	21.431	13	.5118	67	2.6378
$\frac{23}{64}$.359375	9.128	$\frac{55}{64}$.859375	21.828	14	.5512	68	2.6772
$\frac{3}{8}$.3750	9.525	$\frac{7}{8}$.8750	22.225	15	.5906	69	2.7165
$\frac{25}{64}$.390625	9.922	$\frac{57}{64}$.890625	22.622	16	.6299	70	2.7559
$\frac{13}{32}$.40625	10.319	$\frac{29}{32}$.90625	23.019	17	.6693	71	2.7953
$\frac{27}{64}$.421875	10.716	$\frac{59}{64}$.921875	23.416	18	.7087	72	2.8346
$\frac{7}{16}$.4375	11.113	$\frac{15}{16}$.9375	23.813	19	.7480	73	2.8740
$\frac{29}{64}$.453125	11.509	$\frac{61}{64}$.953125	24.209	20	.7874	74	2.9134
$\frac{15}{32}$.46875	11.906	$\frac{31}{32}$.96875	24.606	21	.8268	75	2.9528
$\frac{31}{64}$.484375	12.303	$\frac{63}{64}$.984375	25.003	22	.8661	76	2.9921
$\frac{1}{2}$.5000	12.700	1	1.000	25.400	23	.9055	77	3.0315
						24	.9449	78	3.0709
						25	.9843	79	3.1102
						26	1.0236	80	3.1496
						27	1.0630	81	3.1890
						28	1.1024	82	3.2283
						29	1.1417	83	3.2677
						30	1.1811	84	3.3071
						31	1.2205	85	3.3465
						32	1.2598	86	3.3858
						33	1.2992	87	3.4252
						34	1.3386	88	3.4646
						35	1.3780	89	3.5039
						36	1.4173	90	3.5433
						37	1.4567	91	3.5827
						38	1.4961	92	3.6220
						39	1.5354	93	3.6614
						40	1.5748	94	3.7008
						41	1.6142	95	3.7402
						42	1.6535	96	3.7795
						43	1.6929	97	3.8189
						44	1.7323	98	3.8583
						45	1.7717	99	3.8976
								100	3.9370

BURNDY CONDUCTOR NUMBERING SYSTEM - © BURNDY ENGINEERING CO., INC., 1940

Outside Dia. IN	Outside Dia. MM	STR. CABLE		SOL. WIRE		AREA MM ² Copper Cable	ACSR		PIPE SIZE CONDUCTOR				TUBE & ROD		SERVIT NO.
		Cat. No.	Size	Cat. No.	Size		Cat. No.	Cable Size	Cat. No.	ST D	Cat No.	Ex Hvy	Cat. No.	Dia.	
.102	2.594			10W	10	5.261									KS90
.114	2.896			9W	9	6.634									
.116	2.946	10 C	10			5.261									
.125	3.175												60	1/8	
.129	3.277			8W	8	8.366									KS15
.130	3.302	9 C	9			6.634									
.144	3.658			7W	7	10.550									
.146	3.708	8 C	8			8.366									
.158	4.013						8R	8							
.162	4.115			6W	6	13.300									KS17
.164	4.166	7 C	7			10.550									
.176	4.470						7R	7							
.182	4.597			5W	5	16.770									
.184	4.648	6 C	6			13.300									
.198	5.029						6R	6							
.204	5.182			4W	4	21.150									KS20
.206	5.258	5 C	5			16.770									
.223	5.664						5R	5							
.229	5.817			3W	3	26.670									
.232	5.867	4 C	4			21.150									
.250	6.350						4R	4					61	1/4	
.258	6.553			2W	2	33.630									KS22
.260	6.629	3 C	3			2.6670									
.281	7.137						3R	3							
.289	7.344			1W	1	42.410									
.292	7.394	2 C	2			33.630									KS23
.316	8.026						2R	2							
.325	8.255			75	1/0	53.480									
.332	8.382	1 C	1			42.410									
.355	9.017						1R	1							
.365	9.274			76	2/0	67.430									
.372	9.474	25	1/0			53.480									KS25
.375	9.525												62	3/8	
.398	10.109						25R	1/0							
.405	10.287								10	1/8	50	1/8			
.410	10.414			77	3/0	85.030									
.419	10.617	26	2/0			67.430									KS26
.447	11.354						26R	2/0							
.460	11.684			78	4/0	107.200									
.470	11.938	27	3/0			85.030									
.500	12.700												63	1/2	
.502	12.725						27R	3/0							
.528	13.414	28	4/0			107.200									KS28
.540	13.716								11	1/4	51	1/4			
.563	14.326						28R	4/0							
.575	14.605	29	250			127.000									
.630	16.002	30	300			152.000									
.633	16.078						29R	266.800							
.642	16.307						30R	266.800							
.675	17.145								12	3/8	52	3/8			
.680	17.272						31R	300.000							
.681	17.297	31	350			177.000									KS31
.721	18.313						32R	336.400							
.728	18.494	32	400			203.000									
.741	18.824						33R	336.400							
.750	19.050												64	3/4	
.772	19.609	33	450			228.000									
.783	19.888						34R	397.500							
.806	20.472						35R	397.500							
.813	20.676	34	500			253.000									
.840	21.336								13	1/2	53	1/2			
.855	21.717	35	550			279.000									KS34
.858	21.742						36R	477.000							
.883	22.428						37R	477.000							
.893	22.682	36	600			304.000									
.904	22.962						38R	500.000							
.927	23.546						39R	556.500							
.929	23.597	37	650			329.000									
.953	24.206						40R	556.500							
.953	24.206						41R	605.000							
.964	24.486	38	700			355.000									
.977	24.714						42R	636.000							
.998	25.349	39	750			380.000									KS39
1.000	25.400						43R	666.600					65	1	

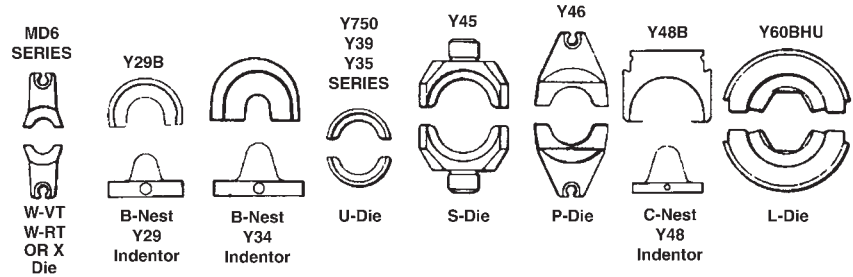
BURNDY CONDUCTOR NUMBERING SYSTEM (continued)

Outside Dia. IN	Outside Dia. MM	STR. CABLE		SOL. WIRE		AREA MM ² Copper Cable	ACSR		PIPE SIZE CONDUCTOR				TUBE & ROD		SERVIT NO.
		Cat. No.	Size	Cat. No.	Size		Cat. No.	Cable Size	Cat. No.	ST D	Cat No.	Ex Hvy	Cat. No.	Dia.	
1.031	26.187	40	800			405.000									
1.036	26.314						44R	715,500							
1.050	26.670								14		54				
1.062	26.975	41	850			431.000									
1.094	27.762	42	900			456.000	45R	795,000							
1.123	28.524	43	950			481.000									
1.146	29.108						46R	874,000							
1.152	29.264	44	1000			507.000									KS44
1.162	29.515						47R	900,000							
1.196	30.378						48R	954,000							
1.209	30.709	444	1100			557.000									
1.246	31.648						49R	1,033,500							
1.250	31.750												66	1	
1.263	32.080	448	1200			608.000									
1.289	32.744	45	1250			633.000									
1.293	32.817						50R	1,113,000							
1.315	33.404	452	1300						15	1	55	1			
1.338	33.960						51R	1,192,500							
1.364	34.646	456	1400			709.000									
1.382	35.103						52R	1,272,000							
1.412	35.865	46	1500			760.000									
1.424	36.170						53R	1,351,500							
1.459	37.059	464	1600			811.000									
1.465	37.214						54R	1,431,000							
1.500	38.100												67	1-1/2	
1.504	38.202	468	1700			861.000									
1.506	38.252						55R	1,510,500							
1.526	38.786	47	1750			866.000									
1.545	39.218						56R	1,590,000							
1.548	39.319	472	1800			912.000									
1.590	40.386	476	1900			963.000									
1.632	41.427	48	2000			1013.000									
1.660	42.164								16	1	56	1			
1.729	43.917	483	2250			1140.000									
1.824	46.330	486	2500			1267.000									
1.900	48.260								17	1-1/2	57	1-1/2			
1.914	48.616	490	2750			1393.000									
1.988	50.495	493	3000			1520.000									
2.000	50.800												68	2	
2.375	60.325								18	2	58	2			
2.500	63.500												69	2-1/2	
2.875	73.025								19	2-1/2	59	2-1/2			
3.000	76.200												70	3	
3.500	88.900								20	3	90	3	71	3-1/2	
4.000	101.600								21	3-1/2	91	3-1/2	72	4	
4.500	114.300								22	4	92	4	73	4-1/2	
5.000	127.000								23	4-1/2	93	4-1/2	74	5	
5.563	141.300								24	5	94	5			
6.063	154.000								85	5-1/2	95	5-1/2			
6.625	168.275								86	6	96	6			
7.625	193.675								87	7	97	7			
8.625	219.075								88	8	98	8			

PRESENT INSTALLATION TOOL INDEX

This chart provides a cross-reference between die index numbers marked on BURNDY® COMPRESSION CONNECTORS and the CORRESPONDING DIE SETS used with the various BURNDY® INSTALLATION TOOLS. This is the only way to have a complete connections with the BURNDY® ENGINEERED SYSTEM.

A die index number has been assigned to each required groove configuration. A prefix letter is used to indicate the specific installation tool for which the die has been designed, as shown.



U	34	ART	USE CHART (CHART III)		
			WIRE SIZE (CHART II) OR INDEX		
			TOOL TYPE (CHART I)		
CHART I					
A - Y34A	E - Y44B	P - Y46	X - OUR840/MD-6		
B - Y34BH	F - Y486RB	S - Y45			
C - Y48B	G - Y34C	U - Y35			
	L - Y60B	W - MD-6/OUR840			
CHART II					
12 - #12	4C - #4	26 - 2/0	31 - 350 MCM	OR INDEX	
10 - #10	3C - #3	27 - 3/0	32 - 400 MCM	i.e., U312	
8C - # 8	2C - #2	28 - 4/0	34 - 500 MCM	312 Die Index	
6C - # 6	1C - #1	29 - 250 MCM	36 - 600 MCM		
5C - # 5	25 - 1/0	30 - 300 MCM	39 - 750 MCM		
			44 - 1000 MCM		
CHART III					
A - ALUMINUM					
B - INDENTOR NEST (USED WITH INDENTOR DIE # Y34P**)					
R - ROUND DIE (CIRCUMFERENTIAL)					
T - TWIN DIE (BOTH HALVES)					

PRESENT INSTALLATION TOOL INDEX (continued)

DIE		DIELESS TOOLS		INSTALLATION TOOLING USING DIES										
GROOVE		MECH.	HYD.	DIE INFORMATION		MECHANICAL		HYDRAULIC						
BURNDY	EEL	MR, MY	Y644	TYPE	COLOR	MD6	OUR840	Y29B ^⑤	Y35 ^①	Y39	Y750 ^①	Y45 ^②	Y46 ^③	Y60 Ser.
A				DIE SET					U-A	U-A	U-A	U-A	U-A	
BG				DIE SET		Perm. GR W-BG	X-BG X-NBG		U-BG	U-BG	U-BG	U-BG	U-BG	
C				DIE SET	BROWN	W-C			U-C	U-	U-C	U-C	U-C	
D				DIE SET					U-D	U-D	U-D	U-D	U-D	
D3				DIE SET	BLUE				U-YFD	U-YFD	U-YFD	U-YFD	U-YFD	
				DIE SET		Perm. GR			U-D3	U-D3	U-D3	U-D3	U-D3	
E				DIE SET					U-E	U-E	U-E	U-E	U-E	
F				DIE SET					U-F	U-F	U-F	U-F	U-F	
H				DIE SET					U-H	U-H	U-H	U-H	U-H	
K-1/4				DIE SET		WK14								
K-5/16				DIE SET		WK516			UK516T	UK526T	UK516T	UK516T	UK516T	
K-3/8				DIE SET		WK38			UK38T	UK38T	UK38T	UK38T	UK38T	
K-1/2				DIE SET		WK12								
K-9/16				DIE SET		WK916			UK916T	UK916T	UK916T	UK916T	UK916T	
K-19/32				DIE SET		WK1932								
K-5/8-1				DIE SET					UK581T	UK581T	UK581T	UK581T	UK581T	
K-11/16				DIE SET		WK1116			UK1116T	UK1116T	UK1116T	UK1116T	UK1116T	
K-3/4				DIE SET					UK34T	UK34T	UK34T	UK34T	UK34T	
K-1				DIE SET					UK1T	UK1T	UK1T	UK1T	UK1T	
K-1-5/16				DIE SET					UK1516T	UK1516T	UK1516T	UK1516T	UK1516T	
K-635				DIE SET		WK737			UK737T	UK737T	UK737T	UK737T	UK737T	
K-747				DIE SET		WK747								
K-781				DIE SET		WK781								
K-840				DIE SET		W-K840			U-K840	U-K840	U-K840	U-K840	U-K840	
KB				DIE SET		WKB			UKBT	UKBT	UKBT	UKBT	UKBT	
KBKT				DIE SET					UKBKTT	UKBKTT	UKBKTT	UKBKTT	UKBKTT	
KC				DIE SET					UKCT	UKCT	UKCT	UKCT	UKCT	
KK				DIE SET		WKK								
KR				DIE SET	YELLOW									P-YFR
												S-KR		P-KR
KT				DIE SET		WKT								
KU				DIE SET					UKUT	UKUT	UKUT	UKUT	UKUT	
L				DIE SET		W-L			U-L	U-L	U-L	U-L	U-L	
L80				DIE SET					U32XRT	U32XRT	U32XRT	U32XRT	U32XRT	
L99				DIE SET	PINK				U38XRT	U38XRT	U38XRT	U38XRT	U38XRT	
L115				DIE SET	YELLOW				U44XRT	U44XRT	U44XRT	U44XRT	U44XRT	
M				DIE SET					U-M	U-M	U-M	U-M	U-M	
N				DIE SET	RED				U-YFN	U-YFN	U-YFN	U-YFN	U-YFN	
									U-N	U-N	U-N	U-N	U-N	
O				DIE SET	GREEN				U-YFO	U-YFO	U-YFO	U-YFO	U-YFO	
						Perm. GR W-O			U-O	U-O	U-O	U-O	U-O	
Q				DIE SET		W-Q								

① Cat. No. Y35P3 Adaptor is required to use "Y34PR" type indentors with "U" type nest dies in Y35 and Y750 series.
 ② Cat. No. PT6515 Adaptor is required to use "U" type dies in Y45 series.

③ Cat. No. PUADP-1 Adaptor is required to use "U" type dies in Y46 series.
 ④ The MD6-6R2 ratchet tool is required on these sizes. The standard MD6 or MD6R ratchet tools will not work.

⑤ Also pneumatic version Y29NC.

PRESENT INSTALLATION TOOL INDEX (continued)

DIE		DIELESS TOOLS		INSTALLATION TOOLING USING DIES										
GROOVE		MECH.	HYD.	DIE INFORMATION			MECHANICAL		HYDRAULIC					
BURNDY	EEI	MR, MY	Y644	TYPE	COLOR	MD6	OUR840	Y29B ⑤	Y35 ①	Y39	Y750 ①	Y45 ②	Y46 ③	Y60 Ser.
R				DIE SET					U-R	U-R	U-R	U-R	U-R	
T				DIE SET								S-T		
Z				DIE SET								S-Z		
7 94		MR4C MY29-3 MY29-11	1 CRIMP	DIE SET	BLUE	W5CRT	X5CRT		U5CRT	U5CRT	U5CRT	U5CRT	U5CRT	
				NEST				D6CL	U6CD-1	U6CD-1	U6CD-1	U6CD-1	U6CD-1	
				INDENTOR				Y29PR	Y34PR	Y34PR	Y34PR	Y34PR	Y34PR	
8 95		MR4C MY29-3 MY29-11	1 CRIMP	DIE SET	GRAY	W4CRT	X4CRT		U4CRT	U4CRT	U4CRT	U4CRT	U4CRT	
				NEST				D4CL	U4CD-1	U4CD-1	U4CD-1	U4CD-1	U4CD-1	
				INDENTOR				Y29PR	Y34PR	Y34PR	Y34PR	Y34PR	Y34PR	
9 96		MY29-3 MY29-11	1 CRIMP	DIE SET	WHITE	W3CRT	X3CRT		U3CRT	U3CRT	U3CRT	U3CRT	U3CRT	
				NEST				D3CL	U3CD-1	U3CD-1	U3CD-1	U3CD-1	U3CD-1	
				INDENTOR				Y29PR	Y34PR	Y34PR	Y34PR	Y34PR	Y34PR	
10 97		MY29-3 MY29-11	1 CRIMP	DIE SET	BROWN	W2CRT	X2CRT		U2CRT	U2CRT	U2CRT	U2CRT	U2CRT	
				NEST				D2CL	U2CD-1	U2CD-1	U2CD-1	U2CD-1	U2CD-1	
				INDENTOR				Y29PR	Y34PR	Y34PR	Y34PR	Y34PR	Y34PR	
11 98		MY29-3 MY29-11	1 CRIMP	DIE SET	GREEN	W1CRT-1	X1CRT-1		U1CRT-1	U1CRT-1	U1CRT-1	U1CRT-1	U1CRT-1	
				NEST				D1CL	U1CD-1	U1CD-1	U1CD-1	U1CD-1	U1CD-1	
				INDENTOR				Y29PR	Y34PR	Y34PR	Y34PR	Y34PR	Y34PR	
12 99		MY29-3 MY29-11	1 CRIMP	DIE SET	PINK	W25RT	X25RT		U25RT	U25RT	U25RT	U25RT	U25RT	
				NEST				D25L	U25D-1	U25D-1	U25D-1	U25D-1	U25D-1	
				INDENTOR				Y29PR	Y34PR	Y34PR	Y34PR	Y34PR	Y34PR	
13 100		MY29-3 MY29-11	1 CRIMP	DIE SET	BLACK	W26RT	X26RT		U26RT	U26RT	U26RT	U26RT	U26RT	
				NEST				D26L	U26D-1	U26D-1	U26D-1	U26D-1	U26D-1	
				INDENTOR				Y29PR	Y34PR	Y34PR	Y34PR	Y34PR	Y34PR	
14 101		MY29-3 MY29-11	1 CRIMP	DIE SET	ORANGE	W27RT	X27RT		U27RT	U27RT	U27RT	U27RT	U27RT	
				NEST				D27L	U27D-1	U27D-1	U27D-1	U27D-1	U27D-1	
				INDENTOR				Y29PR	Y34PR	Y34PR	Y34PR	Y34PR	Y34PR	
15		MY29-3 MY29-11	1 CRIMP	DIE SET	PURPLE	W28RT	X28RT		U28RT	U28RT	U28RT	U28RT	U28RT	
				NEST				D28L	U28D-1	U28D-1	U28D-1	U28D-1	U28D-1	
				INDENTOR				Y29PR	Y34PR	Y34PR	Y34PR	Y34PR	Y34PR	
16		MY29-3 MY29-11	1 CRIMP	DIE SET	YELLOW	W29RT ^④	X29RT		U29RT	U29RT	U29RT	U29RT	U29RT	
				NEST				D29L		U29D-1	U29D-1	U29D-1	U29D-1	
				INDENTOR				Y29PR		Y34PR	Y34PR	Y34PR	Y34PR	
17			1 CRIMP	DIE SET	WHITE	W30RT ^④			U30RT	U30RT	U30RT	U30RT	U30RT	L30RT
				NEST						U30D-1	U30D-1	U30D-1	U30D-1	
				INDENTOR						Y34PR	Y34PR	Y34PR	Y34PR	
18			1 CRIMP	DIE SET	RED	W31RT ^④			U31RT	U31RT	U31RT	U31RT	U31RT	L31RT
				NEST						U31D-1	U31D-1	U31D-1	U31D-1	
				INDENTOR						Y34PR	Y34PR	Y34PR	Y34PR	
19			1 CRIMP	DIE SET	BLUE	W32RT ^④			U32RT	U32RT	U32RT	U32RT	U32RT	L32RT
				NEST						U32D-1	U32D-1	U32D-1	U32D-1	
				INDENTOR						Y34PR	Y34PR	Y34PR	Y34PR	

① Cat. No. Y35P3 Adaptor is required to use "Y34PR" type indentors with "U" type nest dies in Y35 and Y750 series.
 ② Cat. No. PT6515 Adaptor is required to use "U" type dies in Y45 series.

③ Cat. No. PUADP-1 Adaptor is required to use "U" type dies in Y46 series.
 ④ The MD6-6R2 ratchet tool is required on these sizes. The standard MD6 or MD6R ratchet tools will not work.

⑤ Also pneumatic version Y29NC.

PRESENT INSTALLATION TOOL INDEX (continued)

DIE		DIELESS TOOLS		INSTALLATION TOOLING USING DIES										
GROOVE		MECH.	HYD.	DIE INFORMATION		MECHANICAL			HYDRAULIC					
BURNDY	EEI	MR, MY	Y644	TYPE	COLOR	MD6	OUR840	Y29B Ⓢ	Y35 ①	Y39	Y750 ①	Y45 ②	Y46 ③	Y60 Ser.
20			1 CRIMP	DIE SET	BROWN	W34RT④			U34RT	U34RT	U34RT	U34RT	U34RT	L34RT
				NEST					U34D-1	U34D-1	U34D-1	U34D-1		
				INDENTOR					Y34PR	Y34PR	Y34PR	Y34PR		
21			1 CRIMP	DIE SET	YELLOW					U35RT	U35RT	U35RT	U35RT	
				NEST										
				INDENTOR										
22			1 CRIMP	DIE SET	GREEN					U36RT	U36RT	U36RT	U36RT	L36RT
				NEST									P36D	
				INDENTOR									P44PR	
23			1 CRIMP	DIE SET	ORANGE					U37RT	U37RT	U37RT	U37RT	
				NEST										
				INDENTOR										
24			1 CRIMP	DIE SET	BLACK					U39RT	U39RT	S39RT	P39RT	L39RT
				NEST									P39D	
				INDENTOR									P44PR	
25			1 CRIMP	DIE SET	ORANGE							S40RT	P40RT	
				NEST									P40D	
				INDENTOR									P44PR	
26			1 CRIMP	DIE SET	GOLD									
				NEST										
				INDENTOR										
27			1 CRIMP	DIE SET	WHITE							S44RT	P44RT	L44RT
				NEST									P44D	
				INDENTOR									P44PR	
29				DIE SET	YELLOW								P45RT	L45RT
				NEST										
				INDENTOR										
30				DIE SET	ORANGE									
				NEST										
				INDENTOR										
31				DIE SET	GREEN							S46RT	P46RT	L46RT
				NEST									No Nest	
				INDENTOR									P44PR	
33				DIE SET	GRAY									L47RT
				NEST										
				INDENTOR										
34				DIE SET	BROWN									L48RT
				NEST										
				INDENTOR										
38		MR4C MR8G98 MR89Q MY28 Y8MRB-1		NEST				DV8L	UV8L	UV8L	UV8L	UV8L	UV8L	
				INDENTOR				Y29PL	Y34PL	Y34PL	Y34PL	Y34PL	Y34PL	

① Cat. No. Y35P3 Adaptor is required to use "Y34PR" type indentors with "U" type nest dies in Y35 and Y750 series.
 ② Cat. No. PT6515 Adaptor is required to use "U" type dies in Y45 series.

③ Cat. No. PUADP-1 Adaptor is required to use "U" type dies in Y46 series.
 ④ The MD6-6R2 ratchet tool is required on these sizes. The standard MD6 or MD6R ratchet tools will not work.

⑤ Also pneumatic version Y29NC.

PRESENT INSTALLATION TOOL INDEX (continued)

DIE		DIELESS TOOLS		INSTALLATION TOOLING USING DIES										
GROOVE		MECH.	HYD.	DIE INFORMATION		MECHANICAL		HYDRAULIC						
BURNDY	EEI	MR, MY	Y644	TYPE	COLOR	MD6	OUR840	Y29B ⑤	Y35 ①	Y39	Y750 ①	Y45 ②	Y46 ③	Y60 Ser.
39		MR4C MY28	1 CRIMP	NEST				DV6L	UV6L	UV6L	UV6L	UV6L	UV6L	
				INDENTOR				Y29PL	Y34PLA	Y34PLA	Y34PLA	Y34PLA	Y34PLA	Y34PLA
40		MR4C MY28		NEST				DV4L	UV4L	UV4L	UV4L	UV4L	UV4L	
				INDENTOR				Y29PL	Y34PLA	Y34PLA	Y34PLA	Y34PLA	Y34PLA	Y34PLA
41		MY28		NEST				DV2L	UV2;	UV2;	UV2;	UV2;	UV2;	
				INDENTOR				Y29PL	Y34PLA	Y34PLA	Y34PLA	Y34PLA	Y34PLA	Y34PLA
42		MY28		NEST				DV1L	UV1L	UV1L	UV1L	UV1L	UV1L	
				INDENTOR				Y29PL	Y34PLA	Y34PLA	Y34PLA	Y34PLA	Y34PLA	Y34PLA
43		MY28		NEST				DV25L	UV25L	UV25L	UV25L	UV25L	UV25L	
				INDENTOR				Y29PL	Y34PA	Y34PA	Y34PA	Y34PA	Y34PA	Y34PA
44		MY28		NEST				DV26L	UV26L	UV26L	UV26L	UV26L	UV26L	
				INDENTOR				Y29PL	Y34PA	Y34PA	Y34PA	Y34PA	Y34PA	Y34PA
45		MY28		NEST					UV27L	UV27L	UV27L	UV27L	UV27L	
				INDENTOR					Y34PA	Y34PA	Y34PA	Y34PA	Y34PA	Y34PA
46		MY28		NEST					UV28L	UV28L	UV28L	UV28L	UV28L	
				INDENTOR					Y34PA	Y34PA	Y34PA	Y34PA	Y34PA	Y34PA
49				DIE SET	RED	W8CRT	X8CRT		U8CRT	U8CRT	U8CRT	U8CRT	U8CRT	
161				DIE SET		W161	X-161		U161	U161	U161	U161	U161	
162				DIE SET		W162	W162		U162	U162	U162	U162	U162	
163 505				DIE SET		W163	W163		U163	U163	U163	U163	U163	
164 275				DIE SET		W164			U164	U164	U164	U164	U164	
165 205 287 339				DIE SET		W165	X-165		U165/ U205	U165/ U205	U165/ U205	U165/ U205	U165/ U205	L165
166 206 459				DIE SET		W166			U166/ U459	U166/ U459	U166/ U459	U166/ U459	U166/ U459	L166
167 207 211 256 568				DIE SET		W167			U167/ U568	U167/ U568	U167/ U568	U167/ U568	U167/ U568	L167
168 208				DIE SET					U168	U168	U168	U168	U168	L168
169				DIE SET					U169	U169	U169	U169	U169	L169
170 306				DIE SET					U170	U170	U170	U170	U170	L170
171				DIE SET		W171			U171	U171	U171	U171	U171	
193				DIE SET					U193	U193	U193	U193	U193	L193
202				DIE SET					U202	U202	U202	U202	U202	
203				DIE SET					U203	U203	U203	U203	U203	
204				DIE SET					U204	U204	U204	U204	U204	
205 165 287 339				DIE SET		W165	X-165		U165/ U205	U165/ U205	U165/ U205	U165/ U205	U165/ U205	L165
206 166 459				DIE SET		W166			U166/ U459	U166/ U459	U166/ U459	U166/ U459	U166/ U459	L166
207 167 211 256 568				DIE SET		W167			U167/ U568	U167/ U568	U167/ U568	U167/ U568	U167/ U568	L167
208 168				DIE SET					U168	U168	U168	U168	U168	L168
209				DIE SET					U209	U209	U209	U209	U209	L209
210				DIE SET					U210	U210	U210	U210	U210	L210

① Cat. No. Y35P3 Adaptor is required to use "Y34PR" type indentors with "U" type nest dies in Y35 and Y750 series.
 ② Cat. No. PT6515 Adaptor is required to use "U" type dies in Y45 series.

③ Cat. No. PUADP-1 Adaptor is required to use "U" type dies in Y46 series.
 ④ Also pneumatic version Y29NC.

PRESENT INSTALLATION TOOL INDEX (continued)

DIE		DIELESS TOOLS		INSTALLATION TOOLING USING DIES									
GROOVE		MECH.	HYD.	DIE INFORMATION		MECHANICAL		HYDRAULIC					
BURNDY	EEI	MR, MY	Y644	TYPE	COLOR	MD6	OUR840	Y35 ①	Y39	Y750 ①	Y45 ②	Y46 ③	Y60 Ser.
211 167 256 568				DIE SET		W167		U167/ U568	U167/ U568	U167/ U568	U167/ U568	U167/ U568	L167
236				DIE SET		W236		U236	U236	U236	U236	U236	
237				DIE SET		W237	X-237	U237	U237	U237	U237	U237	
238				DIE SET		W238		U238	U238	U238	U238	U238	
239				DIE SET		W239	X-239	U239	U239	U239	U239	U239	
240				DIE SET	RED	W240		U240	U240	U240	U240	U240	
241				DIE SET		W241	X-241	U241	U241	U241	U241	U241	
242 244	3S/4S			DIE SET		W242		U242	U242	U242	U242	U242	L242
243				DIE SET		W243		U243	U243	U243	U243	U243	L243
244 242	3S/4S			DIE SET		W242		U242	U242	U242	U242	U242	L242
245	9A			DIE SET		W245	X-245	U245	U245	U245	U245	U245	L245
246 248	5S			DIE SET		W248		U248	U248	U248	U248	U248	L248
247				DIE SET		W247	X-247	U247	U247	U247	U247	U247	L247
248 246	5S			DIE SET		W248		U248	U248	U248	U248	U248	L248
249	11A			DIE SET		W249	X-249	U249	U249	U249	U249	U249	L249
250				DIE SET				U250	U250	U250	U250	U250	L250
251	12A			DIE SET	RED	W251		U251	U251	U251	U251	U251	L251
252				DIE SET				U252	U252	U252	U252	U252	L252
253				DIE SET				U253	U253	U253	U253	U253	L253
254				DIE SET							S254	P254	L254
255				DIE SET				U255	U255	U255	U255	U255	L255
256 167 207 211 568				DIE SET		W167		U167/ U567	U167/ U567	U167/ U567	U167/ U567	U167/ U567	L167
257				DIE SET				U257	U257	U257	U257	U257	L257
259				DIE SET				U259	U259	U259	U259	U259	
260				DIE SET									L260
261 318	15A			DIE SET				U261	U261	U261	U261	U261	L261
263				DIE SET				U263	U263	U263	U263	U263	
267				DIE SET				U267	U267	U267	U267	U267	L267
275 164				DIE SET		W164		U164	U164	U164	U164	U164	
276				DIE SET				U276	U276	U276	U276	U276	
285				DIE SET				U285	U285	U285	U285	U285	
287 165 205 339				DIE SET		W165		U165/ U205	U165/ U205	U165/ U205	U165/ U205	U165/ U205	L165
292 578				DIE SET							S292	P292	L292
293 294				DIE SET							S293	P293	L293
296		MY29-3	1 CRIMP	DIE SET	TAN		X25ART	U25ART	U25ART	U25ART	U25ART		
				NEST							P27D		
				INDETOR							P34PR5		
297		MY29-3	1 CRIMP	DIE SET	OLIVE		X26ART	U26ART	U26ART	U26ART	U26ART		
				NEST							P29D		
				INDENTOR							P34PR5		

© Cat. No. Y35P3 Adaptor is required to use "Y34PR" type indentors with "U" type nest dies in Y35 and Y750 series.
 © Cat. No. PT6515 Adaptor is required to use "U" type dies in Y45 series.

© Cat. No. PUADP-1 Adaptor is required to use "U" type dies in Y46 series.

PRESENT INSTALLATION TOOL INDEX (continued)

DIE		DIELESS TOOLS		INSTALLATION TOOLING USING DIES									
GROOVE		MECH.	HYD.	DIE INFORMATION		MECHANICAL		HYDRAULIC					
BURNDY	EEl	MR, MY	Y644	TYPE	COLOR	MD6	OUR840	Y35 ①	Y39	Y750 ①	Y45 ②	Y46 ③	Y60 Ser.
298		MY29-3	1 CRIMP	DIE SET	WHITE		X28ART	U28ART	U28ART	U28ART	U28ART	U28ART	L28ART
				NEST							P31D		
				INDENTOR							Y45PR5		
299			1 CRIMP	DIE SET	BROWN			U31ART	U31ART	U31ART	U31ART	U31ART	L31ART
				NEST							P35D		
				INDENTOR							P48PR1		
300			1 CRIMP	DIE SET	PINK			U34ART	U34ART	U34ART	U34ART	U34ART	L34ART
				NEST							P39D		
				INDENTOR							P49PR1		
301			1 CRIMP	DIE SET	RED						S39ART	P39ART	L39ART
				NEST							P45D		
				INDENTOR							P48PR1		
302			1 CRIMP	DIE SET	BROWN						S44ART	P44ART	L44ART
				NEST							No Nest		
				INDENTOR							P48PR1		
303				DIE SET	GRAY			U42ART	U42ART	U42ART	U42ART	U42ART	
304				DIE SET				U304	U304	U304	U304	U304	L304
305 341				DIE SET				U305	U305	U305	U305	U305	L305
306 170				DIE SET				U170	U170	U170	U170	U170	L170
308				DIE SET				U308	U308	U308	U308	U308	
313				DIE SET				U313	U313	U313	U313	U313	L313
314 376				DIE SET									L314
316				DIE SET				U316	U316	U316	U316	U316	L316
317 426				DIE SET				U317	U317	U317	U317	U317	L317
318 261				DIE SET				U261	U261	U261	U261	U261	L261
319				DIE SET							S319	P319	L319
320				DIE SET							S320	P320	L320
321				DIE SET				U321	U321	U321	U321	U321	L321
322				DIE SET				U322	U322	U322	U322	U322	
324			1 CRIMP	DIE SET	RED			U29ART	U29ART	U29ART	U29ART	U29ART	L29ART
				NEST							P32D		
				INDENTOR							P34PR5		
326 538				DIE SET				U33RT	U33RT	U33RT	U33RT	U33RT	
327	14A			DIE SET				U327	U327	U327	U327	U327	L327
328				DIE SET									L328
329				DIE SET				U329	U329	U329	U329	U329	
331				DIE SET				U331	U331	U331	U331	U331	
339 165 205 287				DIE SET			X-339	U165/ U205	U165/ U205	U165/ U205	U165/ U205	U165/ U205	
341 305				DIE SET				U305	U305	U305	U305	U305	L305
342				DIE SET							S342	P342	L342
344				DIE SET									L344
345				DIE SET									L345

① Cat. No. Y35P3 Adaptor is required to use "Y34PR" type indentors with "U" type nest dies in Y35 and Y750 series.
 ② Cat. No. PT6515 Adaptor is required to use "U" type dies in Y45 series.

③ Cat. No. PUADP-1 Adaptor is required to use "U" type dies in Y46 series.
 ④ The MD6-6R2 ratchet tool is required on these sizes. The standard MD6 or MD6R ratchet tools will not work.

PRESENT INSTALLATION TOOL INDEX (continued)

DIE		DIELESS TOOLS		INSTALLATION TOOLING USING DIES										
GROOVE		MECH.	HYD.	DIE INFORMATION		MECHANICAL		HYDRAULIC						
BURNDY	EEI	MR, MY	Y644	TYPE	COLOR	MD6	OUR840	Y35 ①	Y39	Y750 ①	Y45 ②	Y46 ③	Y60 Ser.	
346	⑦		1 CRIMP	DIE SET	GRAY		X6CART	U6CABT	U6CABT	U6CABT	U6CABT	U6CABT		
348			1 CRIMP	DIE SET	PINK		X2CART	U2CABT	U2CABT	U2CABT	U2CABT	U2CABT		
350				DIE SET				U350	U350	U350	U350	U350	L350	
352				DIE SET							S352	P352	L352	
373				DIE SET				U373	U373	U373	U373	U373		
374		MY29-3		DIE SET	BLUE		X8CART	U8CABT	U8CABT	U8CABT	U8CABT	U8CABT		
375		MY29-3	1 CRIMP	DIE SET	GREEN		X4CART	U4CABT	U4CABT	U4CABT	U4CABT	U4CABT		
376 314				DIE SET									L314	
400				DIE SET	PURPLE			U38RT	U38RT	U38RT	U38RT	U38RT		
403				DIE SET				U403	U403	U403	U403	U403		
419				DIE SET							S419	P419	L419	
422				DIE SET									L422	
426 317				DIE SET				U317	U317	U317	U317	U317		
459 166				DIE SET				U166/459	U166/459	U166/459	U166/459	U166/459		
467		MY29-3	1 CRIMP	DIE SET	RUBY		X27ART	U27ART	U27ART	U27ART	U27ART	U27ART		
				NEST								P30D		
				INDENTOR									P34PR5	
468				DIE SET			U468	U468	U468	U468	U468			
469				DIE SET						S469	P469	L469		
470			1 CRIMP	DIE SET	BLUE			U30ART	U30ART	U30ART	U30ART	U30ART	L30ART	
				NEST									P34D	
				INDENTOR										P48PR1
471		MY29-3	1 CRIMP	DIE SET	GOLD		X1CART	U1CART	U1CART	U1CART	U1CART	U1CART		
				NEST										
				INDENTOR										
472			1 CRIMP	DIE SET	GREEN			U32ART	U32ART	U32ART	U32ART	U32ART	L32ART	
				NEST									P35D	
				INDENTOR										P48PR1
473			1 CRIMP	DIE SET	BLACK			U36ART	U36ART	U36ART	U36ART	U36ART	L36ART	
				NEST									P44D	
				INDENTOR										P48PR1
474			1 CRIMP	DIE SET	GOLD						S40ART	P40ART	L40ART	
				NEST										
				INDENTOR										
478			1 CRIMP	DIE SET	BLUE								L46ART	
				NEST										
				INDENTOR										
479				DIE SET	RED							L48ART		
490 547				DIE SET				U490	U490	U490	U490	U490	L490	
495				DIE SET									L495	
505 163				DIE SET		W163		U163	U163	U163	U163	U163	L163	

① Cat. No. Y35P3 Adaptor is required to use "Y34PR" type indentors with "U" type nest dies in Y35 and Y750 series.
 ② Cat. No. PT6515 Adaptor is required to use "U" type dies in Y45 series.

③ Cat. No. PUADP-1 Adaptor is required to use "U" type dies in Y46 series.
 ④ The MD6-6R2 ratchet tool is required on these sizes. The standard MD6 or MD6R ratchet tools will not work.

⑦ Hexagonal crimp

PRESENT INSTALLATION TOOL INDEX (continued)

DIE		DIELESS TOOLS		INSTALLATION TOOLING USING DIES									
GROOVE		MECH.	HYD.	DIE INFORMATION		MECHANICAL		HYDRAULIC					
BURNDY	EEI	MR, MY	Y644	TYPE	COLOR	MD6	OUR840	Y35 ①	Y39	Y750 ①	Y45 ②	Y46 ③	Y60 Ser.
511		MY29-3		NEST INDENTOR									
512		MY29-3		NEST INDENTOR									
513		MY29-3		NEST INDENTOR									
514		MY29-3		NEST INDENTOR									
515		MY29-3		NEST INDENTOR									
516		MY29-3		NEST INDENTOR									
517		MY29-3		NEST INDENTOR									
518		MY29-3		NEST INDENTOR									
519		MY29-3		NEST INDENTOR									
520		MY29-3		NEST INDENTOR									
538 326				DIE SET				U33RT	U33RT	U33RT	U33RT	U33RT	
547 490				DIE SET				U490	U490	U490	U490	U490	L490
552				DIE SET				U552	U552	U552	U552	U552	
568 167 207 211 256				DIE SET		W167		U167/ U568	U167/ U568	U167/ U568	U167/ U568	U167/ U568	
575				DIE SET									L575
576				DIE SET									L576
578 292				DIE SET							S292	P292	L292
579				DIE SET							S579	P579	L579
587				DIE SET									L47ART
607				DIE SET				U607	U607	U607	U607	U607	
608				DIE SET				U608	U608	U608	U608	U608	608
609				DIE SET				U609	U609	U609	U609	U609	
627				DIE SET									L627
642				DIE SET				U642	U642	U642	U642	U642	L642
643				DIE SET				U643	U643	U643	U643	U643	
647 [Ⓢ]				DIE SET									L45ART
648				DIE SET									L648
654				DIE SET	PURPLE			U654	U654	U654	U654	U654	L654
655	13A			DIE SET				U655	U655	U655	U655	U655	
658				DIE SET				U658	U658	U658	U658	U658	
659				DIE SET		W659		U659	U659	U659	U659	U659	
660				DIE SET		W660	X-660	U660	U660	U660	U660	U660	
667				DIE SET									L667
668				DIE SET				U668	U668	U668	U668	U668	

① Cat. No. Y35P3 Adaptor is required to use "Y34PR" type indentors with "U" type nest dies in Y35 and Y750 series.
 ② Cat. No. PT6515 Adaptor is required to use "U" type dies in Y45 series.

③ Cat. No. PUADP-1 Adaptor is required to use "U" type dies in Y46 series.
 ④ Die 302 recommended for 1.84 O.D. barrel.

PRESENT INSTALLATION TOOL INDEX (continued)

DIE		DIELESS TOOLS		INSTALLATION TOOLING USING DIES									
GROOVE		MECH.	HYD.	DIE INFORMATION		MECHANICAL		HYDRAULIC					
BURNDY	EEI	MR, MY	Y644	TYPE	COLOR	MD6	OUR840	Y35 ①	Y39	Y750 ①	Y45 ②	Y46 ③	Y60 Ser.
676				DIE SET				U676	U676	U676	U676	U676	
677				DIE SET				U677	U677	U677	U677	U677	L677
678				DIE SET				U678	U678	U678	U678	U678	
679				DIE SET				U679	U679	U679	U679	U679	
684				DIE SET									L684
687				DIE SET		W687	X-687						
690	1S			DIE SET		W690		U690	U690	U690	U690	U690	
691	2S			DIE SET		W691		U691	U691	U691	U691	U691	
692	4S			DIE SET		W692		U692	U692	U692	U692	U692	
693	6A			DIE SET		W693		U693	U693	U693	U693	U693	
694	10A			DIE SET		W694		U694	U694	U694	U694	U694	
702				DIE SET		W702							
705				DIE SET				U705	U705	U705	U705	U705	
717Ⓢ				DIE SET							S717	P717	L717/ L717W
718Ⓢ				DIE SET									L718
719Ⓢ				DIE SET							S719	P719	L719/ L719W
720Ⓢ				DIE SET							S720	P720	L720/ L720W
721Ⓢ				DIE SET									L721
722Ⓢ				DIE SET							S722	P722	L722/ L722W
723Ⓢ				DIE SET									L723
724Ⓢ				DIE SET							S724	P724	L724/ L724W
725Ⓢ				DIE SET							S725	P725	L725/ L725W
726Ⓢ				DIE SET									L726
727Ⓢ				DIE SET									L727/ L727W
728Ⓢ				DIE SET									L728/ L728W
729Ⓢ				DIE SET									L729/ L729W
735Ⓢ				DIE SET									L735/ L735W
740Ⓢ				DIE SET									L740
786				DIE SET				U786	U786	U786	U786	U786	
788				DIE SET				U788	U788	U788	U788	U788	
789				DIE SET									L789
936Ⓢ			1 CRIMP	DIE SET	YELLOW			U39ART-2	U39ART-2	U39ART-2	U39ART-2	U39ART-2	L39ART-2
997				DIE SET	ORANGE			U997	U997	U997	U997	U997	
998				DIE SET						PU998	S998	P998	
999				DIE SET							S999	P999	
1011				DIE SET						U1011	S1011	P1011	
1012				DIE SET							S1012		

① Cat. No. Y35P3 Adaptor is required to use "Y34PR" type indentors with "U" type nest dies in Y35 and Y750 series.

② Cat. No. PT6515 Adaptor is required to use "U" type dies in Y45 series.

③ Cat. No. PUADP-1 Adaptor is required to use "U" type dies in Y46 series.
Ⓢ Hexagonal crimp

PRESENT INSTALLATION TOOL INDEX (continued)

DIE		DIELESS TOOLS		INSTALLATION TOOLING USING DIES										
GROOVE		MECH.	HYD.	DIE INFORMATION		MECHANICAL		HYDRAULIC						
BURNDY	EEI	MR, MY	Y644	TYPE	COLOR	MD6	OUR840	Y35 ①	Y39	Y750 ①	Y45 ②	Y46 ③	Y60 Ser.	
1013		MY29-11		NEST				UV8L	UV8L	UV8L	UV8L	UV8L		
				INDENTOR				Y34PL	Y34PL	Y34PL	Y34PL	Y34PL		
1014		MY29-11		NEST				U6CD1	U6CD1	U6CD1	U6CD1	U6CD1		
				INDENTOR				Y34PR	Y34PR	Y34PR	Y34PR	Y34PR		
1015		MY29-11		NEST				U4CD1	U4CD1	U4CD1	U4CD1	U4CD1		
				INDENTOR				Y34PR	Y34PR	Y34PR	Y34PR	Y34PR		
1016		MY29-11		NEST				U3CD1	U3CD1	U3CD1	U3CD1	U3CD1		
				INDENTOR				Y34PR	Y34PR	Y34PR	Y34PR	Y34PR		
1017		MY29-11		NEST				U2CD1	U2CD1	U2CD1	U2CD1	U2CD1		
				INDENTOR				Y34PR	Y34PR	Y34PR	Y34PR	Y34PR		
1018		MY29-11		NEST				U1CD1	U1CD1	U1CD1	U1CD1	U1CD1		
				INDENTOR				Y34PR	Y34PR	Y34PR	Y34PR	Y34PR		
1019		MY29-11		NEST				U25D1	U25D1	U25D1	U25D1	U25D1		
				INDENTOR				Y34PR2	Y34PR2	Y34PR2	Y34PR2	Y34PR2		
1020		MY29-11		NEST				U26D1	U26D1	U26D1	U26D1	U26D1		
				INDENTOR				Y34PR2	Y34PR2	Y34PR2	Y34PR2	Y34PR2		
1021		MY29-11		NEST				U27D1	U27D1	U27D1	U27D1	U27D1		
				INDENTOR				Y34PR2	Y34PR2	Y34PR2	Y34PR2	Y34PR2		
1022		MY29-11		NEST				U28D1	U28D1	U28D1	U28D1	U28D1		
				INDENTOR				Y34PR2	Y34PR2	Y34PR2	Y34PR2	Y34PR2		
1023		MY29-11		NEST				U29D1	U29D1	U29D1	U29D1	U29D1		
				INDENTOR				Y34PR2	Y34PR2	Y34PR2	Y34PR2	Y34PR2		
1024				NEST				U30D1	U30D1	U30D1	U30D1	U30D1		
				INDENTOR				Y34PR2	Y34PR2	Y34PR2	Y34PR2	Y34PR2		
1025				NEST				U31D1	U31D1	U31D1	U31D1	U31D1		
				INDENTOR				Y34PR2	Y34PR2	Y34PR2	Y34PR2	Y34PR2		
1026				NEST				U32D1	U32D1	U32D1	U32D1	U32D1		
				INDENTOR				Y34PR2	Y34PR2	Y34PR2	Y34PR2	Y34PR2		
1027				NEST				U34D1	U34D1	U34D1	U34D1	U34D1		
				INDENTOR				Y34PR2	Y34PR2	Y34PR2	Y34PR2	Y34PR2		
1028				NEST								P36D		
				INDENTOR										Y48PR1
1029				NEST									P38D	
				INDENTOR										P48PR1
1030				NEST									P39D	
				INDENTOR										P48PR1
1031				NEST									P40D	
				INDENTOR										P48PR1
1032				NEST									P44D	
				INDENTOR										P48PR1
1102				DIE SET	WHITE								P1102	
1103				DIE SET	BLUE									P1103
1104				DIE SET	BROWN					U1104				P1104
1105				DIE SET						U1105				P1105
2000				NEST				U27B	U27B	U27B	U27B			
				INDENTOR				Y34PR15	Y34PR15	Y34PR15	Y34PR15			

COLOR CODING FOR OVERHEAD CONNECTORS

Color Code	Wire Dia. per Strand			
	Str.	Compact	Sol.	ACSR
Brown	10		8	
Green	8		6	
Blue	5, 6		4	6
Orange	3, 4	#2	2	4
Red	1-19, 2	1/0	1	2
Yellow	1/0	2/0		1/0, 1
Gray	2/0	3/0		2/0
Black	3/0	4/0		3/0
Pink	4/0	266, 300		4/0
Red	250			
White	266			
Blue	300	350		266.8 (26/7, 18/1)
Brown	336			
Green	350, 397, 400			336.4 (26/7, 18/1)
Gray	450			
Pink	500			477 (18/1)
Green	556			
Purple	600			
Yellow				556.5 (24/7, 26/7)
Blue	650			
Red	700			
Yellow	750			
Orange	800			
White	900			
Brown	1000			

NOTE: This chart is only intended as a guide. For specific applications, refer to the catalog page of the connector.

COLOR CODING FOR AL/CU CONNECTORS

Color Code	Str.	Color Code	Str.
Blue	8	Blue	300
Gray	6	Brown	350
Green	4	Green	400
Pink	2	Pink	500
Gold	1	Black	600
Tan	1/0	Yellow	700/750
Olive	2/0	Red	700/750
Ruby	3/0	Brown	1000
White	4/0	Blue	1500
Red	250	Red	2000

NOTE: This chart is only intended as a guide. For specific applications, refer to the catalog page of the connector.

COLOR CODING FOR COPPER LUGS AND SPLICES

Color Code	Code Size		Flex Cable
	Str.	Sol.	
Red	8	6	8
Blue	6		6
Blue	5		
Gray	4		4
White	3	2	
Brown	2		2
Green	1		1
Pink	1/0		1/0
Black	2/0		2/0
Orange	3/0		3/0
Purple	4/0		4/0
Yellow	250		4/0 and 250
White	300		250
Red	350		313.1
Blue	400		373.7
Brown	500		444.4
Green	600		
Pink	700		535.3
Purple			600
Black	750		646
Yellow			777.7
Orange	800		
White	1000		
Yellow			1111
Green	1500		
Brown	2000		

NOTE: This chart is only intended as a guide. For specific applications, refer to the catalog page of the connector.

BURNDY® REGISTERED AND TRADE NAMES

Registered Name	Registered/Trade Name	Catalog Section	Registered/Trade Name	Catalog Section
4-POINT®	4-POINT®	N	PATRIOT®	N
BONDIT®	ALFLUID™	N	PENETROX™	F
BURNDY®	BARTAP™	A, E, L	POLYTAP™	A
BURNDYWeld®	BONDIT®	E	POPPER™	N
ENFORCER®	BURNDYWeld®	E	POSI-PRESS™	N
GRIDMAX®	CABELOK™	H	POWERLUG™	J
HYGROUND®	CLIPIT™	H	QIKLINK™	A
IMPLO®	CRIMPIT™	C, E, H	QIKLITE®	E
INFINITY DRIVE®	DURIUM™	D	QIKLUG™	A, E
IN-LINE®	ENFORCER®	N	QIKTAP™	B
PATRIOT®	FASTAP™	H	SCRULLUG™	A
SERVIT®	FINGRIP™	B	SERVIT POST™	E
The SmartCart®	FLEXITAP™	A	SERVIT®	A, H
There is Only One IMPLO®	GRIDLOK™	E	SPEC-BLOK™	A
	GRIDMAX®	E	STIRRUP™	H
Connecting Power to Your World™	GROUNDLINK™	E	STIRRUP™	J
	GROUNDMAX™	E	STUDBUG™	E
	HYCRAB™	K	SUPER-CLAMP™	E
	HYCRIMP™	H	TAPIT™	H
	HYDENT™	B, C	The SmartCart®	N
	HYFLUID™	N	TRITAP™	A
	HYGRID™	E	U-BLOK™	A
	HYGROUND®	E	UNIGROUND™	E
	HYLINK™	B, C, E	UNIRAP™	G
	HYLUG™	B, C, E, H	UNISPLICE™	H
	HYPLUG™	C, H	UNITAP™	A
	HYPRESS™	N	VARILUG™	L
	HYREDUCER™	B, C, K	VARITAP™	A
	HYSEALPLUG™	H	VERSILUG™	A
	HYSEALUG™	H	VERSIPOLE™	A
	HYSPLICE™	C, H	VERSITAIL™	E
	HYSTACK™	C	VERSITAP™	A, H
	HYTAIL™	E	VINYLUG™	B
	HYTAP™	C, E	VISEIT™	H
	HYTEE™	H	VISI-SHRINK™	F
	HYTOOL™	N	WEEB™	E
	IMPLO®	I	WEJTAP™	J
	INFINITY DRIVE®	N	WIREMIKE™	N
	IN-LINE®	N		
	INSULUG™	B		
	KA-LUG™	A		
	KOMPRESSOR™	N		
	L'IL CRIMP™	N		
	LINEMAN ASSIST™	H		
	LOKTAP™	H		
	MOLE™	A, K		
	MOLIMITER™	K		
	NOTAPE™	K		
	OKLIP™	A		
	OKLIP™	H		

ALPHA-NUMERIC INDEX BY CATALOG NUMBER

Catalog Number	Page #	Catalog Number	Page #	Catalog Number	Page #	Catalog Number	Page #
15	E-84	1167	I-57	2141	I-56	3118	I-56
32	E-84	1169	I-60	2142	I-57	3120	I-56
45	E-84	1170	I-60	2143	I-57	3121	I-56
65	E-84	1171	I-60	2144	I-57	3123	I-56
90	E-84	1174	I-60	2146	I-57	3124	I-56
115	E-84	1179	I-60	2149	I-60	3131	I-56
150	E-84	1181	I-60	2150	I-60	3133	I-56
200	E-84	1182	I-60	2157	I-60	3138	I-56
250	E-84	1190	I-57	2158	I-60	3139	I-56
500	E-84	1903	I-61	2165	I-60	3140	I-56
1050	I-55	1904	I-61	2166	I-60	3141	I-56
1051	I-55	1906	I-61	2167	I-57	3142	I-57
1052	I-55	1923	I-61	2169	I-60	3143	I-57
1053	I-55	1978	I-61	2170	I-60	3144	I-57
1054	I-55	1990	I-61	2171	I-60	3146	I-57
1056	I-55	1991	I-61	2174	I-60	3149	I-60
1057	I-55	1993	I-61	2179	I-60	3150	I-60
1058	I-55	1994	I-61	2181	I-60	3157	I-60
1059	I-55	1995	I-61	2182	I-60	3158	I-60
1060	I-55	1997	I-61	2190	I-57	3165	I-60
1061	I-55	1998	I-61	2903	I-61	3166	I-60
1062	I-55	2050	I-55	2904	I-61	3167	I-57
1063	I-55	2051	I-55	2906	I-61	3169	I-60
1064	I-55	2052	I-55	2923	I-61	3170	I-60
1065	I-55	2053	I-55	2978	I-61	3171	I-60
1066	I-55	2054	I-55	2990	I-61	3174	I-60
1067	I-55	2056	I-55	2991	I-61	3179	I-60
1070	I-55	2057	I-55	2993	I-61	3181	I-60
1072	I-55	2058	I-55	2994	I-61	3182	I-60
1073	I-56	2059	I-55	2995	I-61	3190	I-57
1074	I-56	2060	I-55	2997	I-61	9050	I-55
1075	I-56	2061	I-55	2998	I-61	9051	I-55
1076	I-56	2062	I-55	3050	I-55	9052	I-55
1077	I-56	2063	I-55	3051	I-55	9053	I-55
1079	I-56	2064	I-55	3053	I-55	9054	I-55
1080	I-56	2065	I-55	3054	I-55	9056	I-55
1083	I-56	2066	I-55	3056	I-55	9057	I-55
1084	I-56	2067	I-55	3057	I-55	9058	I-55
1085	I-60	2070	I-55	3058	I-55	9059	I-55
1086	I-60	2072	I-55	3059	I-55	9060	I-55
1090	I-56	2073	I-56	3060	I-55	9061	I-55
1093	I-60	2074	I-56	3061	I-55	9062	I-55
1094	I-56	2075	I-56	3062	I-55	9063	I-55
1095	I-56	2076	I-56	3063	I-55	9064	I-55
1103	I-56	2077	I-56	3064	I-55	9065	I-55
1112	I-56	2079	I-56	3065	I-55	9066	I-55
1113	I-56	2080	I-56	3066	I-55	9067	I-55
1114	I-56	2083	I-56	3067	I-55	9070	I-55
1117	I-56	2084	I-56	3070	I-55	9072	I-55
1118	I-56	2085	I-60	3072	I-55	9073	I-56
1120	I-56	2086	I-60	3073	I-56	9074	I-56
1121	I-56	2090	I-56	3074	I-56	9075	I-56
1123	I-56	2093	I-60	3075	I-56	9076	I-56
1124	I-56	2094	I-56	3076	I-56	9077	I-56
1131	I-56	2095	I-56	3077	I-56	9079	I-56
1133	I-56	2103	I-56	3079	I-56	9080	I-56
1138	I-56	2112	I-56	3080	I-56	9083	I-56
1139	I-56	2113	I-56	3083	I-56	9084	I-56
1140	I-56	2114	I-56	3084	I-56	9085	I-60
1141	I-56	2117	I-56	3085	I-60	9086	I-60
1142	I-57	2118	I-56	3086	I-60	9090	I-56
1143	I-57	2120	I-56	3090	I-56	9093	I-60
1144	I-57	2121	I-56	3093	I-60	9094	I-56
1146	I-57	2123	I-56	3094	I-56	9095	I-56
1149	I-60	2124	I-56	3095	I-56	9103	I-56
1150	I-60	2131	I-56	3103	I-56	9112	I-56
1157	I-60	2133	I-56	3112	I-56	9113	I-56
1158	I-60	2138	I-56	3113	I-56	9114	I-56
1165	I-60	2139	I-56	3114	I-56	9117	I-56
1166	I-60	2140	I-56	3117	I-56	9118	I-56

ALPHA-NUMERIC INDEX BY CATALOG NUMBER (Continued)

Catalog Number	Page #	Catalog Number	Page #	Catalog Number	Page #	Catalog Number	Page #
9120.....	I-56	1072/ACSS/TW.....	I-59	2051/ACSS/TW.....	I-59	3053/ACSS/TW.....	I-59
9121.....	I-56	1073/ACSS.....	I-58	2052/ACSS.....	I-58	3054/ACSS.....	I-58
9123.....	I-56	1073/ACSS/TW.....	I-59	2052/ACSS/TW.....	I-59	3054/ACSS/TW.....	I-59
9124.....	I-56	1074/ACSS.....	I-58	2053/ACSS.....	I-58	3056/ACSS.....	I-58
9131.....	I-56	1074/ACSS/TW.....	I-59	2053/ACSS/TW.....	I-59	3056/ACSS/TW.....	I-59
9133.....	I-56	1075/ACSS.....	I-58	2054/ACSS.....	I-58	3057/ACSS.....	I-58
9138.....	I-56	1075/ACSS/TW.....	I-59	2054/ACSS/TW.....	I-59	3057/ACSS/TW.....	I-59
9139.....	I-56	1076/ACSS.....	I-58	2056/ACSS.....	I-58	3059/ACSS.....	I-58
9140.....	I-56	1076/ACSS/TW.....	I-59	2056/ACSS/TW.....	I-59	3059/ACSS/TW.....	I-59
9141.....	I-56	10CD60.....	N-64, N-65	2057/ACSS.....	I-58	3060/ACSS.....	I-58
9142.....	I-57	115CI.....	E-84	2057/ACSS/TW.....	I-59	3060/ACSS/TW.....	I-59
9143.....	I-57	115Q.....	E-83	2059/ACSS.....	I-58	3061/ACSS.....	I-58
9144.....	I-57	1165-NZ.....	I-60	2059/ACSS/TW.....	I-59	3061/ACSS/TW.....	I-59
9146.....	I-57	11CD60.....	N-65	2060/ACSS.....	I-58	3062/ACSS.....	I-58
9149.....	I-60	12CD60.....	N-65, N-66	2060/ACSS/TW.....	I-59	3062/ACSS/TW.....	I-59
9150.....	I-60	12TONP1.....	N-59	2061/ACSS.....	I-58	3063/ACSS.....	I-58
9157.....	I-60	13CD60.....	N-66	2061/ACSS/TW.....	I-59	3063/ACSS/TW.....	I-59
9158.....	I-60	14CD60.....	N-66	2062/ACSS.....	I-58	3065/ACSS.....	I-58
9165.....	I-60	150Q.....	E-83	2062/ACSS/TW.....	I-59	3065/ACSS/TW.....	I-59
9166.....	I-60	15CD60.....	N-66	2063/ACSS.....	I-58	3066/ACSS.....	I-58
9167.....	I-57	15CI.....	E-84	2063/ACSS/TW.....	I-59	3066/ACSS/TW.....	I-59
9169.....	I-60	15CP.....	E-84	2065/ACSS.....	I-58	3067/ACSS.....	I-58
9170.....	I-60	15Q.....	E-83	2065/ACSS/TW.....	I-59	3067/ACSS/TW.....	I-59
9171.....	I-60	16CD60.....	N-67	2066/ACSS.....	I-58	3070/ACSS.....	I-58
9174.....	I-60	17CD60.....	N-67	2066/ACSS/TW.....	I-59	3070/ACSS/TW.....	I-59
9179.....	I-60	1PBS1/0.....	A-47	2067/ACSS.....	I-58	3072/ACSS.....	I-58
9181.....	I-60	1PBS2.....	A-47	2067/ACSS/TW.....	I-59	3072/ACSS/TW.....	I-59
9182.....	I-60	1PBS250.....	A-47	2070/ACSS.....	I-58	3073/ACSS.....	I-58
9190.....	I-57	1PBS350.....	A-47	2070/ACSS/TW.....	I-59	3073/ACSS/TW.....	I-59
433206016010.....	N-30	1PBS500.....	A-47	2072/ACSS.....	I-58	3074/ACSS.....	I-58
Y46CLWSBH.....	N-28	1PL2/02.....	A-47	2072/ACSS/TW.....	I-59	3074/ACSS/TW.....	I-59
07CD60.....	N-64	1PL2/03.....	A-47	2073/ACSS.....	I-58	3075/ACSS.....	I-58
08CD60.....	N-64	1PL2502.....	A-47	2073/ACSS/TW.....	I-59	3075/ACSS/TW.....	I-59
09CD60.....	N-64	1PL2503.....	A-47	2074/ACSS.....	I-58	3076/ACSS.....	I-58
100CHENBOX.....	D-3	1PL3502.....	A-47	2074/ACSS/TW.....	I-59	3076/ACSS/TW.....	I-59
100X200HGSBBOX.....	D-5	1PL42.....	A-47	2075/ACSS.....	I-58	30AH60.....	N-68, N-69
1050/ACSS.....	I-58	1PL43.....	A-47	2075/ACSS/TW.....	I-59	3165-NZ.....	I-60
1050/ACSS/TW.....	I-59	1PL44.....	A-47	2076/ACSS.....	I-58	31CHENBOX.....	D-3
1050/I.....	I-55	1PL6002.....	A-47	2076/ACSS/TW.....	I-59	31CHGSNBOX.....	D-5
1051/ACSS.....	I-58	1PLD2/02.....	A-47	20AH60.....	N-68	31FWBOX.....	D-3
1051/ACSS/TW.....	I-59	1PLD2/03.....	A-47	2165-NZ.....	I-60	31NWBOX.....	D-3
1052/ACSS.....	I-58	1PLD2/04.....	A-47	24AH60.....	N-68	31SWBOX.....	D-3
1052/ACSS/TW.....	I-59	1PLD2/06.....	A-47	250Q.....	E-83	31X100HEBBOX.....	D-2
1053/ACSS.....	I-58	1PLD2502.....	A-47	25CHENBOX.....	D-3	31X125HEBBOX.....	D-2
1053/ACSS/TW.....	I-59	1PLD2503.....	A-47	25CI.....	E-84	31X150HEBBOX.....	D-2
1054/ACSS.....	I-58	1PLD2504.....	A-47	25CP.....	E-84	31X175HEBBOX.....	D-2
1054/ACSS/TW.....	I-59	1PLD2506.....	A-47	25FWBOX.....	D-3	31X200HEBBOX.....	D-2
1056/ACSS.....	I-58	1PLD3502.....	A-47	25FWSBOX.....	D-6	31X250HEBBOX.....	D-2
1056/ACSS/TW.....	I-59	1PLD3503.....	A-47	25HSSNBOX.....	D-6	31X300HEBBOX.....	D-2
1057/ACSS.....	I-58	1PLD3504.....	A-47	25NWBOX.....	D-3	31X50HEBBOX.....	D-2
1057/ACSS/TW.....	I-59	1PLD3506.....	A-47	25Q.....	E-83	31X62HEBBOX.....	D-2
1059/ACSS.....	I-58	1PLD3508.....	A-47	25SWBOX.....	D-3	31X75HEBBOX.....	D-2
1059/ACSS/TW.....	I-59	1PLD43.....	A-47	25WSSLTBOX.....	D-6	32CI.....	E-84
1060/ACSS.....	I-58	1PLD44.....	A-47	25X100HEBBOX.....	D-2	32CP.....	E-84
1060/ACSS/TW.....	I-59	1PLD6002.....	A-47	25X125HEBBOX.....	D-2	32Q.....	E-83
1061/ACSS.....	I-58	1PLD6003.....	A-47	25X150HEBBOX.....	D-2	34AH60.....	N-69
1061/ACSS/TW.....	I-59	1PLD6004.....	A-47	25X200HEBBOX.....	D-2	36AH60.....	N-69
1062/ACSS.....	I-58	1PLD6005.....	A-47	25X250HEBBOX.....	D-2	38AH60.....	N-69
1062/ACSS/TW.....	I-59	1PLD6006.....	A-47	25X300HEBBOX.....	D-2	38CHENBOX.....	D-3
1063/ACSS.....	I-58	1PLD6008.....	A-47	25X50HEBBOX.....	D-2	38FWBOX.....	D-3
1063/ACSS/TW.....	I-59	1PLO2/02.....	A-47	25X62HEBBOX.....	D-2	38FWSSBOX.....	D-6
1065/ACSS.....	I-58	1PLO2502.....	A-47	25X75HEBBOX.....	D-2	38HGSN009BOX.....	D-5
1065/ACSS/TW.....	I-59	1PLO3502.....	A-47	27AH60.....	N-68	38HGSNBOX.....	D-5
1066/ACSS.....	I-58	1PLO42.....	A-47	3050/ACSS.....	I-58	38HSSNBOX.....	D-6
1066/ACSS/TW.....	I-59	1PLO6002.....	A-47	3050/ACSS/TW.....	I-59	38NWBOX.....	D-3
1067/ACSS.....	I-58	200Q.....	E-83	3051/ACSS.....	I-58	38NWGSBOX.....	D-5
1067/ACSS/TW.....	I-59	2050/ACSS.....	I-58	3051/ACSS/TW.....	I-59	38SWBOX.....	D-3
1070/ACSS.....	I-58	2050/ACSS/TW.....	I-59	3052/ACSS.....	I-58	38SWSSMDBOX.....	D-6
1070/ACSS/TW.....	I-59	2050/I.....	I-55	3052/ACSS/TW.....	I-59	38X100HEBBOX.....	D-2
1072/ACSS.....	I-58	2051/ACSS.....	I-58	3053/ACSS.....	I-58	38X125HEBBOX.....	D-2

ALPHA-NUMERIC INDEX BY CATALOG NUMBER (Continued)

Catalog Number	Page #	Catalog Number	Page #	Catalog Number	Page #	Catalog Number	Page #
38X125HGSBBOX.....	D-5	50X275HABBOX.....	D-4	5600-1080D.....	I-48	65CI.....	E-84
38X125HSSBBOX.....	D-6	50X275HEBBOX.....	D-2	5600-1082.....	I-48	65CP.....	E-84
38X150HEBBOX.....	D-2	50X300HABBOX.....	D-4	5600-1082D.....	I-48	65Q.....	E-83
38X175HEBBOX.....	D-2	50X300HEBBOX.....	D-2	5600-2020.....	I-49	75AH60.....	N-68
38X200HEBBOX.....	D-2	50X300HSSBBOX.....	D-6	5600-2022.....	I-49	75CHENBOX.....	D-3
38X225HEBBOX.....	D-2	50X325HABBOX.....	D-4	5600-2026.....	I-49	75FWBOX.....	D-3
38X225HGSBBOX.....	D-5	50X325HEBBOX.....	D-2	5600-2028.....	I-49	75HGSNBOX.....	D-5
38X225HSSBBOX.....	D-6	50X350HABBOX.....	D-4	5600-2030.....	I-49	75HSSNBOX.....	D-6
38X250HEBBOX.....	D-2	50X350HEBBOX.....	D-2	5600-2032.....	I-49	75NWBOX.....	D-3
38X250HSSBBOX.....	D-6	50X375HABBOX.....	D-4	5600-2040.....	I-49	75NWGSBOX.....	D-5
38X275HEBBOX.....	D-2	50X375HEBBOX.....	D-2	5600-2042.....	I-49	75SWBOX.....	D-3
38X275HGSBBOX.....	D-5	50X400HABBOX.....	D-4	5600-2044.....	I-49	75X125HGSBBOX.....	D-5
38X275HSSBBOX.....	D-6	50X400HEBBOX.....	D-2	5600-2050.....	I-49	75X200HGSBBOX.....	D-5
38X300HEBBOX.....	D-2	50X425HABBOX.....	D-4	5600-2052.....	I-49	75X300HSSBBOX.....	D-6
38X325HEBBOX.....	D-2	50X450HABBOX.....	D-4	5600-2054.....	I-49	75X500HGSBBOX.....	D-5
38X350HGSBBOX.....	D-2	50X450HEBBOX.....	D-2	5600-2056.....	I-49	75X600HGSBBOX.....	D-5
38X400HEBBOX.....	D-2	50X500HABBOX.....	D-4	5600-2058.....	I-49	76AH60.....	N-68
38X450HEBBOX.....	D-2	50X500HEBBOX.....	D-2	5600-2060.....	I-49	9050/ACSS.....	I-58
38X500HEBBOX.....	D-2	50X550HABBOX.....	D-4	5600-2062.....	I-49	9050/ACSS/TW.....	I-59
38X50HEBBOX.....	D-2	50X550HEBBOX.....	D-2	5600-2064.....	I-49	9051/ACSS.....	I-58
38X62HEBBOX.....	D-2	50X600HEBBOX.....	D-2	5600-2066.....	I-49	9051/ACSS/TW.....	I-59
38X75BWSSBOX.....	D-7	50X75HEBBOX.....	D-2	5600-2070.....	I-49	9052/ACSS.....	I-58
38X75HEBBOX.....	D-2	5600-1020.....	I-47	5600-2072.....	I-49	9052/ACSS/TW.....	I-59
38X81FWGSBBOX.....	D-5	5600-1020D.....	I-47	5600-2074.....	I-49	9053/ACSS.....	I-58
38X88HEBBOX.....	D-2	5600-1022.....	I-47	5600-2076.....	I-49	9053/ACSS/TW.....	I-59
3S.....	A-61	5600-1022D.....	I-47	5600-2078.....	I-49	9054/ACSS.....	I-58
3U.....	A-61	5600-1026.....	I-47	5600-2079.....	I-49	9054/ACSS/TW.....	I-59
40AH60.....	N-69	5600-1026D.....	I-47	5600-2080.....	I-49	9056/ACSS.....	I-58
44CHENBOX.....	D-3	5600-1028.....	I-47	5600-2082.....	I-49	9056/ACSS/TW.....	I-59
44FWBOX.....	D-3	5600-1028D.....	I-47	62CHENBOX.....	D-3	9057/ACSS.....	I-58
44NWBOX.....	D-3	5600-1030.....	I-47	62FWBOX.....	D-3	9057/ACSS/TW.....	I-59
44SWBOX.....	D-3	5600-1030D.....	I-47	62FWSSBOX.....	D-6	9059/ACSS.....	I-58
44X150HEBBOX.....	D-2	5600-1032.....	I-47	62HANBOX.....	D-4	9059/ACSS/TW.....	I-59
44X200HEBBOX.....	D-2	5600-1032D.....	I-47	62HGSNBOX.....	D-5	9060/ACSS.....	I-58
45CI.....	E-84	5600-1040.....	I-47	62HSSNBOX.....	D-6	9060/ACSS/TW.....	I-59
45CP.....	E-84	5600-1040D.....	I-47	62NWBOX.....	D-3	9061/ACSS.....	I-58
45Q.....	E-83	5600-1042.....	I-47	62NWGSBOX.....	D-5	9061/ACSS/TW.....	I-59
4S.....	A-61	5600-1042D.....	I-47	62SWALBOX.....	D-4	9062/ACSS.....	I-58
4U.....	A-61	5600-1044.....	I-47	62SWBOX.....	D-3	9062/ACSS/TW.....	I-59
500Q.....	E-83	5600-1044D.....	I-47	62SWSSMDBOX.....	D-6	9063/ACSS.....	I-58
50CHENBOX.....	D-3	5600-1050.....	I-47	62X100HEBBOX.....	D-2	9063/ACSS/TW.....	I-59
50FWBOX.....	D-3	5600-1050D.....	I-47	62X100HGSBBOX.....	D-5	9065/ACSS.....	I-58
50FWSSBOX.....	D-6	5600-1052.....	I-47	62X125HEBBOX.....	D-2	9065/ACSS/TW.....	I-59
50HANBOX.....	D-4	5600-1052D.....	I-47	62X131FWGSBOX.....	D-5	9066/ACSS.....	I-58
50HGSNBOX.....	D-5	5600-1054.....	I-47	62X150HEBBOX.....	D-2	9066/ACSS/TW.....	I-59
50HSSNBOX.....	D-6	5600-1054D.....	I-47	62X175HABBOX.....	D-4	9067/ACSS.....	I-58
50NWBOX.....	D-3	5600-1056.....	I-47	62X175HEBBOX.....	D-2	9067/ACSS/TW.....	I-59
50NWGSBOX.....	D-5	5600-1056D.....	I-47	62X175HGSBBOX.....	D-5	9070/ACSS.....	I-58
50SWALBOX.....	D-4	5600-1058.....	I-48	62X200HABBOX.....	D-4	9070/ACSS/TW.....	I-59
50SWBOX.....	D-3	5600-1058D.....	I-48	62X200HEBBOX.....	D-2	9072/ACSS.....	I-58
50SWSSMDBOX.....	D-6	5600-1060.....	I-47	62X225HABBOX.....	D-4	9072/ACSS/TW.....	I-59
50X100HEBBOX.....	D-2	5600-1060D.....	I-47	62X225HEBBOX.....	D-2	9073/ACSS.....	I-58
50X100HGSBBOX.....	D-5	5600-1062.....	I-47	62X250HABBOX.....	D-4	9073/ACSS/TW.....	I-59
50X106BWSSBOX.....	D-7	5600-1062D.....	I-47	62X250HEBBOX.....	D-2	9074/ACSS.....	I-58
50X106FWGSBOX.....	D-5	5600-1064.....	I-48	62X275HEBBOX.....	D-2	9074/ACSS/TW.....	I-59
50X125HEBBOX.....	D-2	5600-1064D.....	I-48	62X300HABBOX.....	D-4	9075/ACSS.....	I-58
50X150HABBOX.....	D-4	5600-1066.....	I-48	62X300HEBBOX.....	D-2	9075/ACSS/TW.....	I-59
50X150HEBBOX.....	D-2	5600-1066D.....	I-48	62X300HSSBBOX.....	D-6	9076/ACSS.....	I-58
50X150HGSBBOX.....	D-5	5600-1070.....	I-48	62X325HEBBOX.....	D-2	9076/ACSS/TW.....	I-59
50X175HABBOX.....	D-4	5600-1070D.....	I-48	62X350HABBOX.....	D-4	90CI.....	E-84
50X175HEBBOX.....	D-2	5600-1072.....	I-48	62X350HEBBOX.....	D-2	90Q.....	E-83
50X200HABBOX.....	D-4	5600-1074.....	I-48	62X400HABBOX.....	D-4	9165-NZ.....	I-60
50X200HEBBOX.....	D-2	5600-1074D.....	I-48	62X400HEBBOX.....	D-2	ACC.....	E-132
50X200HGSBBOX.....	D-5	5600-1076.....	I-48	62X450HABBOX.....	D-4	ACC-F1-270.....	E-133
50X200HSSBBOX.....	D-6	5600-1076D.....	I-48	62X450HEBBOX.....	D-2	ACC-F2-90.....	E-133
50X225HABBOX.....	D-4	5600-1078.....	I-48	62X500HABBOX.....	D-4	ACC-F4-90.....	E-133
50X225HEBBOX.....	D-2	5600-1078D.....	I-48	62X500HEBBOX.....	D-2	ACC-F90-1.....	E-133
50X250HABBOX.....	D-4	5600-1079.....	I-48	62X550HABBOX.....	D-4	ACC-FBC.....	E-134, G-30
50X250HEBBOX.....	D-2	5600-1079D.....	I-48	62X600HABBOX.....	D-4	ACC-FLD.....	E-132
50X250HSSBBOX.....	D-6	5600-1080.....	I-48	62X600HEBBOX.....	D-2	ACC-FPV.....	E-132

ALPHA-NUMERIC INDEX BY CATALOG NUMBER (Continued)

Catalog Number	Page #	Catalog Number	Page #	Catalog Number	Page #	Catalog Number	Page #
ACC-PV.....	E-132	B-1225-H.....	E-100	B-1581.....	E-93	B-2159.....	E-93
ACC-R2.....	E-133	B-1226-H.....	E-100	B-1582.....	E-93	B-2160.....	E-93
ACC-R2-E.....	E-133	B-1228-H.....	E-100	B-1583.....	E-93	B-2161.....	E-93
ACC-R4.....	E-133	B-1270.....	E-89	B-1584.....	E-93	B-2162.....	E-93
ACC-RBC15.....	E-133	B-1271.....	E-89	B-1586.....	E-93	B-2163.....	E-93
ACE-1P.....	E-117	B-1272.....	E-89	B-1587.....	E-93	B-2164.....	E-93
ACE-2C.....	E-117	B-1273.....	E-89	B-1588.....	E-93	B-2165.....	E-93
ACE-2P.....	E-117	B-1274.....	E-89	B-1589.....	E-93	B-2189.....	E-100
ACE-3C.....	E-117	B-1275.....	E-89	B-1593.....	E-93	B-2199.....	E-97
ACE-3C-1GND.....	E-117	B-1276.....	E-89	B-1594.....	E-93	B-2200.....	E-97
ACE-3C-DF.....	E-117	B-1277.....	E-89	B-1595.....	E-93	B-221.....	E-86
ACE-3P.....	E-117	B-1278.....	E-89	B-1596.....	E-93	B-223.....	E-86
ACE-4C.....	E-117	B-1279.....	E-89	B-1597.....	E-93	B-2235.....	E-95
ACE-4P.....	E-117	B-1280.....	E-89	B-1601.....	E-93	B-224.....	E-86
ACE-PT.....	E-117	B-1281.....	E-89	B-1602.....	E-93	B-225.....	E-86
ACE-PTD.....	E-117	B-1282.....	E-89	B-1603.....	E-93	B-226.....	E-86
AGSKIT2.....	A-34	B-1283.....	E-89	B-1604.....	E-93	B-227.....	E-86
AGSKIT250.....	A-34	B-1284.....	E-89	B-1605.....	E-93	B-228.....	E-86
ALFLUIDGAL.....	N-101	B-1285.....	E-89	B-1606.....	E-93	B-229.....	E-86
ALFLUIDQT.....	N-101	B-1286.....	E-89	B-1610.....	E-93	B-230.....	E-86
AMS-0.....	A-33	B-1287.....	E-89	B-1611.....	E-93	B-231.....	E-86
AMS-1000.....	A-33	B-1288.....	E-89	B-1613.....	E-102	B-232.....	E-86
AMS-2.....	A-33	B-1289.....	E-89	B-1614.....	E-102	B-2320.....	E-95
AMS-250.....	A-33	B-1290.....	E-89	B-1615.....	E-102	B-234.....	E-86
AMS-350.....	A-33	B-1291.....	E-89	B-1616.....	E-102	B-235.....	E-86
AMS-4/0.....	A-33	B-1292.....	E-89	B-1617.....	E-102	B-236.....	E-86
AMS-500.....	A-33	B-1293.....	E-89	B-1618.....	E-102	B-237.....	E-86
AMS-750.....	A-33	B-1294.....	E-89	B-1619.....	E-102	B-238.....	E-86
ASA1000U.....	C-141	B-1295.....	E-89	B-1620.....	E-102	B-239.....	E-86
ASA250U.....	C-141	B-1296.....	E-89	B-1626.....	E-101	B-240.....	E-86
ASA800U.....	C-141	B-1297.....	E-89	B-1627.....	E-101	B-241.....	E-86
AYP1.....	C-207	B-1298.....	E-89	B-1628.....	E-101	B-242.....	E-86
AYP10.....	C-207	B-1299.....	E-89	B-1629.....	E-101	B-243.....	E-86
AYP2.....	C-207	B-1300.....	E-89	B-1630.....	E-101	B-244.....	E-86
AYP250.....	C-207	B-1301.....	E-89	B-1631.....	E-101	B-245.....	E-86
AYP350.....	C-207	B-1302.....	E-89	B-1632.....	E-101	B-2450.....	E-95
AYP4.....	C-207	B-1303.....	E-89	B-1633.....	E-101	B-246.....	E-86
AYP500.....	C-207	B-1304.....	E-89	B-1634.....	E-101	B-247.....	E-86
AYP6.....	C-207	B-1305.....	E-89	B-1635.....	E-101	B-2476.....	E-99
AYP750.....	C-207	B-1306.....	E-89	B-1636.....	E-101	B-2477.....	E-99
AYP900.....	C-207	B-1307.....	E-89	B-1637.....	E-101	B-2478.....	E-99
AYPO1000.....	C-207	B-1308.....	E-89	B-1638.....	E-101	B-248.....	E-86
AYPO2/0.....	C-207	B-1309.....	E-89	B-1639.....	E-101	B-2480.....	E-99
AYPO250.....	C-207	B-1310.....	E-89	B-1640.....	E-101	B-2480-S.....	E-99
AYPO3/0.....	C-207	B-1311.....	E-90	B-1641.....	E-101	B-2482.....	E-99
AYPO300.....	C-207	B-1313.....	E-90	B-1642.....	E-101	B-2483.....	E-99
AYPO350.....	C-207	B-1314.....	E-90	B1643.....	E-101	B-2484.....	E-99
AYPO4/0.....	C-207	B-1315.....	E-90	B-1644.....	E-101	B-2486.....	E-99
AYPO400.....	C-207	B-1316.....	E-90	B-1645.....	E-101	B-2487.....	E-99
AYPO500.....	C-207	B-1317.....	E-90	B-1646.....	E-101	B-2488.....	E-99
AYPO600.....	C-207	B-1318.....	E-90	B-1648.....	E-101	B-249.....	E-86
AYPO750.....	C-207	B-1319.....	E-90	B-1649.....	E-101	B-2490.....	E-99
AYPO900.....	C-207	B-1320.....	E-90	B-1650.....	E-101	B-2491.....	E-99
B-106.....	E-111	B-1321.....	E-90	B1CD.....	N-37	B-2493.....	E-99
B106-32.....	E-112	B-1322.....	E-90	B-205.....	E-85	B-2494.....	E-99
B106-37.....	E-112	B-1323.....	E-90	B-206.....	E-85	B-2495.....	E-99
B106-41.....	E-112	B-1324.....	E-90	B-207.....	E-85	B-2497.....	E-99
B-107.....	E-111	B-1325.....	E-90	B-208.....	E-85	B-2498.....	E-99
B107-32.....	E-112	B-1326.....	E-90	B-2084.....	E-95	B-250.....	E-86
B-1208.....	E-90	B-1327.....	E-90	B-209.....	E-85	B-2506.....	E-97
B-1212.....	E-95	B-1328.....	E-90	B-210.....	E-85	B-2507.....	E-97
B-1215.....	E-100	B-1329.....	E-90	B-211.....	E-85	B-2509.....	E-97
B-1216.....	E-100	B-1330.....	E-90	B-213.....	E-85	B-251.....	E-86
B-1218.....	E-100	B-1331.....	E-90	B-214.....	E-85	B-2510.....	E-95
B-1219.....	E-100	B-1332.....	E-90	B-215.....	E-85	B-2511.....	E-97
B-1220.....	E-100	B-1333.....	E-90	B2154.....	E-93	B-252.....	E-86
B-1221.....	E-100	B-1334.....	E-90	B-2155.....	E-93	B-253.....	E-86
B-1222.....	E-100	B-1335.....	E-90	B-2156.....	E-93	B-254.....	E-86
B-1223.....	E-100	B-1336.....	E-90	B-2157.....	E-93	B-2540.....	E-100
B-1224.....	E-100	B-15.....	B-15	B-2158.....	E-93	B-2542.....	E-97

ALPHA-NUMERIC INDEX BY CATALOG NUMBER (Continued)

Catalog Number	Page #	Catalog Number	Page #	Catalog Number	Page #	Catalog Number	Page #
B-255	E-86	B-284	E-86	B-427	E-87	B-501	E-91
B-2558	E-95	B-285	E-86	B-428	E-87	B-502	E-91
B-256	E-86	B-286	E-86	B-429	E-87	B-5021	E-86
B-2566	E-94	B-287	E-86	B-430	E-87	B-503	E-91
B-2567	E-102	B-288	E-86	B-431	E-87	B-504	E-91
B-2568	E-102	B-289	E-86	B-432	E-87	B-505	E-91
B-257	E-86	B28D	N-37	B-433	E-87	B-506	E-91
B-258	E-86	B-290	E-86	B-434	E-87	B-5065	E-98
B-2583	E-99	B-291	E-86	B-435	E-87	B-507	E-91
B-2583-S	E-99	B-293	E-86	B-436	E-87	B-508	E-91
B-259	E-86	B-294	E-86	B-437	E-87	B-509	E-91
B25D	N-37	B-295	E-86	B-438	E-87	B-510	E-91
B-260	E-86	B-296	E-86	B-439	E-87	B-511	E-91
B-261	E-86	B-297	E-86	B-440	E-87	B-513	E-91
B-262	E-86	B-298	E-86	B-441	E-87	B-514	E-91
B-263	E-86	B29D	N-37	B-442	E-87	B-515	E-91
B-264	E-86	B2CD	N-37	B-443	E-87	B-516	E-91
B-265	E-86	B2D12	E-63	B-444	E-87	B-517	E-91
B-266	E-86	B2D12N	E-63	B-445	E-87	B-518	E-91
B-267	E-86	B2E12	E-63	B-446	E-87	B-519	E-91
B-268	E-86	B2E12N	E-63	B-447	E-87	B-520	E-91
B-2687	E-88	B2F12	E-63	B-448	E-87	B-521	E-91
B-2689	E-88	B2F12N	E-63	B-449	E-87	B-523	E-91
B-269	E-86	B2G12N	E-63	B-450	E-87	B-524	E-91
B-2690	E-88	B30D	N-37	B-451	E-87	B-525	E-91
B-2691	E-88	B31D	N-37	B-452	E-87	B-526	E-91
B-2692	E-88	B32D	N-37	B-453	E-87	B-527	E-91
B-2693	E-88	B-333	E-86	B-454	E-87	B-528	E-91
B-2694	E-88	B370320-01	E-84	B-455	E-87	B-529	E-91
B-2695	E-88	B370320-02	E-84	B-456	E-87	B-5294	E-94
B-2696	E-88	B370320-03	E-84	B-457	E-87	B-530	E-91
B-2697	E-88	B38-0101-00	E-114	B-458	E-87	B-531	E-91
B-2698	E-88	B38-0101-01	E-114	B-459	E-87	B-5321	E-93
B-2699	E-88	B38-0135-01	E-113	B-460	E-87	B-533	E-91
B26D	N-37	B38-0302-00	E-114	B-461	E-87	B-5330	E-95
B-270	E-86	B38-0302-02	E-114	B-462	E-87	B-5331	E-98
B-2700	E-88	B38-0303-00	E-114	B-463	E-87	B-5332	E-95
B-2701	E-88	B38-0304-00	E-114	B-464	E-87	B-5333	E-95
B-2702	E-88	B38-0305-00	E-114, F-4	B-465	E-87	B-5334	E-95
B-2703	E-88	B38-0306-00	E-113, E-114	B-466	E-87	B-5335	E-95
B-2704	E-88	B38-0307-00	E-114	B-467	E-87	B-5336	E-95
B-2705	E-88	B38-0308-00	E-114	B-468	E-87	B-5337	E-95
B-2706	E-88	B38-0309-00	E-114	B-469	E-87	B-5338	E-95
B-2707	E-88	B38-0309-01	E-114	B-470	E-87	B-534	E-91
B-2708	E-88	B38-0315-00	E-113	B-471	E-87	B-5340	E-90
B-2709	E-88	B38-0330-00	E-113	B-472	E-87	B-5341	E-95
B-2710	E-88	B38-0904-00	E-114	B-483	E-87	B-5342	E-90
B-2711	E-88	B38-3922-00	E-113, E-114	B-485	E-87	B-535	E-91
B-2712	E-88	B38412900	E-113	B-486	E-87	B-5351	E-95
B-2713	E-88	B38412905	E-113	B-487	E-87	B-5352	E-95
B-2714	E-88	B3D12	E-63	B-488	E-87	B-5353	E-95
B-2715	E-88	B3D12N	E-63	B-489	E-87	B-5359	E-100
B-2716	E-88	B3E12	E-63	B-490	E-87	B-5361	E-100
B-2717	E-88	B3E12N	E-63	B-491	E-87	B-5362	E-100
B-2718	E-88	B3F12	E-63	B-492	E-87	B-5363	E-100
B-2719	E-88	B3F12N	E-63	B-493	E-87	B-537	E-92
B-2747	E-88	B3G12	E-63	B-495	E-91	B-538	E-92
B-2751	E-88	B3G12N	E-63	B-496	E-91	B-5380	E-94
B-2752	E-88	B40-0106-75	E-111	B-497	E-91	B-5389	E-100
B-2753	E-88	B40-0106-76	E-112	B-498	E-91	B-539	E-92
B-2754	E-88	B40-0106-77	E-112	B-499	E-91	B-5390	E-94
B-2755	E-88	B40-0106-78	E-112	B4CD	N-37	B-540	E-92
B-2756	E-88	B40-0319-01	E-113	B4D12	E-63	B-541	E-92
B-2757	E-88	B40-0319-03	E-113	B4D12N	E-63	B-5416	E-94
B-2761	E-102	B40-03657-00	E-111	B4E12	E-63	B-5419	E-102
B-2781	E-100	B40-4431-00	E-112	B4E12N	E-63	B-542	E-92
B27D	N-37	B-423	E-87	B4F12	E-63	B-5428	E-95
B-280	E-86	B-424	E-87	B4F12N	E-63	B-543	E-92
B-282	E-86	B-425	E-87	B4G12N	E-63	B-5432	E-88
B-283	E-86	B-426	E-87	B-500	E-91	B-544	E-92

ALPHA-NUMERIC INDEX BY CATALOG NUMBER (Continued)

Catalog Number	Page #	Catalog Number	Page #	Catalog Number	Page #	Catalog Number	Page #
B-545.....	E-92	B-5709.....	E-89	B-619.....	E-98	B-7605.....	E-104
B-546.....	E-92	B-571.....	E-92	B-620.....	E-98	B-7606.....	E-104
B-547.....	E-92	B-572.....	E-92	B-6208.....	E-95	B-7607.....	E-104
B-5475.....	E-86	B-5722.....	E-94	B-621.....	E-98	B-7608.....	E-104
B-548.....	E-92	B-573.....	E-92	B-622.....	E-98	B-7609.....	E-104
B-549.....	E-92	B-5732.....	E-94	B-624.....	E-98	B-7610.....	E-104
B-550.....	E-92	B-5734.....	E-94	B-625-H.....	E-98	B-7611.....	E-104
B-551.....	E-92	B-5738.....	E-94	B-626-H.....	E-98	B-7612.....	E-104
B-5513.....	E-94	B-574.....	E-92	B-628.....	E-97	B-7613.....	E-104
B-5515.....	E-94	B-5746.....	E-94	B-629.....	E-97	B-7614.....	E-104
B-5517.....	E-95	B-575.....	E-92	B-630.....	E-97	B-7615.....	E-104
B-552.....	E-92	B-5767.....	E-95	B-631.....	E-97	B-7616.....	E-104
B-553.....	E-92	B-577.....	E-92	B-644.....	E-97	B-7617.....	E-104
B-555.....	E-92	B-5777.....	E-94	B-645.....	E-97	B-7618.....	E-104
B-5555.....	E-94	B-578.....	E-92	B-646.....	E-97	B-7619.....	E-104
B-5556.....	E-94	B-5781.....	E-91	B-647.....	E-97	B-7620.....	E-105
B-556.....	E-92	B-579.....	E-92	B-648.....	E-97	B-7621.....	E-105
B-5560.....	E-95	B-5803.....	E-94	B-649.....	E-97	B-7622.....	E-105
B-5561.....	E-94	B-5807.....	E-94	B-650.....	E-97	B-7623.....	E-105
B-557.....	E-92	B-5820.....	E-94	B-652.....	E-97	B-7624.....	E-105
B-5573.....	E-95	B-5821.....	E-94	B-653.....	E-97	B-7625.....	E-105
B-5574.....	E-86	B-5830.....	E-94	B-654.....	E-97	B-7626.....	E-105
B-558.....	E-92	B-5833.....	E-94	B-6552.....	E-90	B-7627.....	E-105
B-559.....	E-92	B-585.....	E-99	B-6630.....	E-93	B-7628.....	E-105
B-560.....	E-92	B-5850.....	E-94	B-6766.....	E-95	B-7629.....	E-105
B-5604.....	E-95	B-5857.....	E-94	B-6906.....	E-93	B-7630.....	E-105
B-561.....	E-92	B-586.....	E-99	B-7075.....	E-97	B-7631.....	E-105
B-5618.....	E-89	B-587.....	E-99	B-7146.....	E-97	B-7632.....	E-105
B-562.....	E-92	B-5877.....	E-94	B-7192.....	E-98	B-7633.....	E-105
B-5623.....	E-85	B-588.....	E-99	B-7500.....	E-103	B-7634.....	E-105
B-5624.....	E-85	B-588-S.....	E-99	B-7501.....	E-103	B-7635.....	E-105
B-5625.....	E-85	B-589.....	E-99	B-7502.....	E-103	B-7636.....	E-105
B-5626.....	E-85	B-590.....	E-99	B-7503.....	E-103	B-7637.....	E-105
B-5627.....	E-90	B-5904.....	E-94	B-7504.....	E-103	B-7638.....	E-105
B-5629.....	E-90	B-591.....	E-99	B-7505.....	E-103	B-7639.....	E-105
B-563.....	E-92	B-5910.....	E-102	B-7506.....	E-103	B-7640.....	E-105
B-5630.....	E-90	B-592.....	E-99	B-7507.....	E-103	B-7641.....	E-105
B-5631.....	E-90	B-593.....	E-99	B-7508.....	E-103	B-7642.....	E-105
B-5632.....	E-90	B-5935.....	E-94	B-7509.....	E-103	B-7643.....	E-105
B-5634.....	E-90	B-594.....	E-99	B-7510.....	E-103	B-7644.....	E-105
B-5635.....	E-90	B-5940.....	E-94	B-7511.....	E-103	B-7645.....	E-105
B-5636.....	E-90	B-5943.....	E-90	B-7512.....	E-103	B-7646.....	E-105
B-5637.....	E-90	B-595.....	E-99	B-7513.....	E-103	B-7647.....	E-105
B-5638.....	E-90	B-596.....	E-99	B-7514.....	E-103	B-7648.....	E-105
B-5639.....	E-90	B-5961.....	E-94	B-7515.....	E-103	B-7649.....	E-105
B-564.....	E-92	B-5963.....	E-94	B-7520.....	E-103	B-7650.....	E-105
B-5640.....	E-95	B-5972.....	E-94	B-7521.....	E-103	B-7651.....	E-105
B-5642.....	E-90	B-598.....	E-99	B-7522.....	E-103	B-7652.....	E-105
B-5644.....	E-90	B-599.....	E-99	B-7523.....	E-103	B-7653.....	E-105
B-5645.....	E-90	B-5992.....	E-94	B-7528.....	E-103	B-7654.....	E-105
B-5652.....	E-90	B-600.....	E-99	B-7529.....	E-103	B-7655.....	E-105
B-5659.....	E-90	B-6002.....	E-95	B-7530.....	E-103	B-7656.....	E-105
B-566.....	E-92	B-6003.....	E-94	B-7531.....	E-103	B-7657.....	E-105
B-5660.....	E-93	B-602.....	E-98	B-7588.....	E-104	B-7658.....	E-105
B-5667.....	E-95	B-6025.....	E-94	B-7589.....	E-104	B-7659.....	E-105
B-5668.....	E-90	B-603.....	E-98	B-7590.....	E-104	B-7708.....	E-106
B-567.....	E-92	B-604.....	E-98	B-7591.....	E-104	B-7709.....	E-106
B-5676.....	E-90	B-6046.....	E-90	B-7592.....	E-104	B-7710.....	E-106
B-5677.....	E-95	B-6048.....	E-94	B-7593.....	E-104	B-7711.....	E-106
B-5679.....	E-90	B-605.....	E-98	B-7594.....	E-104	B-7712.....	E-106
B-5680.....	E-90	B-6051.....	E-95	B-7595.....	E-104	B-7713.....	E-106
B-5682.....	E-90	B-6060.....	E-102	B-7596.....	E-104	B-7714.....	E-106
B-5684.....	E-90	B-6061.....	E-102	B-7597.....	E-104	B-7715.....	E-106
B-5686.....	E-90	B-6067.....	E-102	B-7598.....	E-104	B-7716.....	E-106
B-5688.....	E-90	B-6072.....	E-102	B-7599.....	E-104	B-7717.....	E-106
B-569.....	E-92	B-6114.....	E-97	B-7600.....	E-104	B-7718.....	E-106
B-5698.....	E-94	B-616.....	E-98	B-7601.....	E-104	B-7719.....	E-106
B-5699.....	E-94	B-6165.....	E-94	B-7602.....	E-104	B-7720.....	E-106
B-570.....	E-92	B-617.....	E-98	B-7603.....	E-104	B-7721.....	E-106
B-5702.....	E-95	B-618.....	E-98	B-7604.....	E-104	B-7722.....	E-106

ALPHA-NUMERIC INDEX BY CATALOG NUMBER (Continued)

Catalog Number	Page #	Catalog Number	Page #	Catalog Number	Page #	Catalog Number	Page #
B-7723	E-106	B-8415	E-91	BA14EF8M	B-28	BB024SSL12LT516	E-66
B-7724	E-106	B-8422	E-91	BA14EL10	B-33	BB024SSL6LT14	E-66
B-7725	E-106	B-8423	E-98	BA14EL10M	B-33	BB024SSL6LT38	E-66
B-7726	E-106	B-8426	E-91	BA14EL8	B-33	BB024SSL9LT516	E-66
B-7727	E-106	B-8428	E-95	BA14EL8M	B-33	BB024SSL6T14	E-66
B-7728	E-106	B-8434	E-92	BA14EZ10	B-42	BB024SSL9LT14	E-66
B-7729	E-106	B-8435	E-92	BA14EZ2	B-42	BB024SSL9LT38	E-66
B-7730	E-106	B-8441	E-92	BA14EZ6	B-42	BB024SSL9LT516	E-66
B-7731	E-106	B-8442	E-92	BA14EZ8	B-42	BB036L12T14	E-61
B-7732	E-106	B-8451	E-95	BA16E10	B-8	BB036L18T14	E-61
B-7733	E-106	B-8452	E-92	BA16E10M	B-8	BB036L9T14	E-61
B-7734	E-106	B-8454	E-92	BA16E14	B-8	BB048L12LT12	E-64
B-7735	E-106	B-8461	E-95	BA16E14M	B-8	BB048L12LT14	E-64
B-7736	E-106	B-8512	E-100	BA16E38	B-8	BB048L12LT38	E-64
B-7737	E-106	B-8718	E-100	BA16E38M	B-8	BB048L18LT12	E-64
B-7738	E-106	B-8726	E-95	BA16E4	B-8	BB048L18LT14	E-64
B-7739	E-106	B-8802	E-95	BA16E4M	B-8	BB048L18LT38	E-64
B-7884	E-107	B-8833	E-99	BA16E6	B-8	BB048L24LT12	E-64
B-7885	E-107	B-8882	E-90	BA16E6M	B-8	BB048L24LT14	E-64
B-7886	E-107	B-9021	E-99	BA16E8	B-8	BB048L24LT38	E-64
B-7887	E-107	B-9029	E-100	BA16E8M	B-8	BB048L6T14	E-61
B-7888	E-107	B-9233	E-99	BA16EF10	B-28	BB048L9T14	E-61
B-7889	E-107	B-9233-S	E-99	BA16EF10M	B-28	BB067L6T14	E-61
B-7890	E-107	B-9253	E-102	BA16EF2	B-28	BB067L9T14	E-61
B-7891	E-107	BA10E10	B-8	BA16EF2M	B-28	BBB-14210A	E-78
B-7892	E-107	BA10E10M	B-8	BA16EF6	B-28	BBB-14224B	E-78
B-7893	E-107	BA10E14	B-8	BA16EF6M	B-28	BBB-14410C	E-78
B-7894	E-107	BA10E14M	B-8	BA16EF8	B-28	BBB-14410D	E-78
B-7895	E-107	BA10E38	B-8	BA16EF8M	B-28	BBB-14412E	E-78
B-7896	E-107	BA10E38M	B-8	BA16EL10	B-33	BBB-14412F	E-78
B-7897	E-107	BA10E516	B-8	BA16EL10M	B-33	BBB-14416G	E-78
B-7898	E-107	BA10E6	B-8	BA16EL6	B-33	BBB-14416H	E-78
B-7899	E-107	BA10E6M	B-8	BA16EL6M	B-33	BBB-14420J	E-78
B-7900	E-107	BA10E8	B-8	BA16EL8	B-33	BBB412UD	E-78
B-7901	E-107	BA10E8M	B-8	BA16EL8M	B-33	BBB-424-UD	E-78
B-7902	E-107	BA10EF10	B-28	BA16EZ10	B-42	BBB-HR19	E-78
B-7903	E-107	BA10EF10M	B-28	BA16EZ2	B-42	BBB-VR36	E-78
B-7904	E-107	BA10EF6	B-28	BA16EZ6	B-42	BC25	H-71
B-7905	E-107	BA10EF6M	B-28	BA16EZ8	B-42	BC28	H-71
B-7906	E-107	BA10EF8	B-28	BA-200	E-115	BC2C	H-71
B-7907	E-107	BA10EF8M	B-28	BA-201	E-115	BCC1000CUAL	N-83
B-7908	E-107	BA10EL10	B-33	BA-202	E-115	BCCBAT12V	N-83
B-7909	E-107	BA10EL10M	B-33	BA-203	E-115	BCCCASE	N-83
B-7910	E-107	BA10EL6	B-33	BA-204	E-115	BCCCHGR	N-83
B-7911	E-107	BA10EL6M	B-33	BA-205	E-115	BD12	E-62
B-7912	E-107	BA10EL8	B-33	BA-207	E-115	BD12N	E-62
B-7913	E-107	BA10EL8M	B-33	BA-208	E-115	BD12NB	E-65
B-7914	E-107	BA10EZ10	B-42	BA-209	E-115	BD18	E-62
B-7915	E-107	BA10EZ6	B-42	BA-211	E-115	BD18N	E-62
B-7916	E-107	BA10EZ8	B-42	BA-212	E-115	BD18NB	E-65
B-7917	E-107	BA14E10	B-8	BA-213	E-115	BD24	E-62
B-7918	E-107	BA14E10M	B-8	BA-214	E-115	BD24N	E-62
B-7919	E-107	BA14E14	B-8	BA-215	E-115	BD24NB	E-65
B-7920	E-107	BA14E14M	B-8	BA-240	E-115	BD6T14	E-61
B-7921	E-107	BA14E38	B-8	BAGCNVS5X9X24	N-85	BD9T14	E-61
B-7922	E-107	BA14E4	B-8	BAT18V5AHLJ	N-8 - N-15,	BDALHC112350	A-53
B-7923	E-107	BA14E4M	B-8		N-76 - N-80	BDALHC11500	A-53
B-8011	E-95	BA14E516	B-8	BAT18VLI	N-8 - N-19,	BDALHC16350	A-53
B-8027	E-95	BA14E516M	B-8		N-76 - N-82	BDALHC16500	A-53
B-8165	E-100	BA14E6	B-8	BB024L12LT14	E-64	BDALHC212500	A-53
B-8214	E-95	BA14E6L	B-33	BB024L12LT14B	E-65	BDALHC22350	A-53
B-8294	E-95	BA14E6LM	B-33	BB024L18LT14	E-64	BDALHC22500	A-53
B-8359	E-102	BA14E6M	B-8	BB024L18LT14B	E-65	BDALHC22600	A-54
B-8379	E-98	BA14E8	B-8	BB024L24LT14	E-64	BDALHC24500	A-54
B-8381	E-98	BA14E8M	B-8	BB024L24LT14B	E-65	BDALHC26350	A-53
B-8402	E-91	BA14EF10	B-28	BB024L6T14	E-61	BDALHC26500	A-54
B-8403	E-91	BA14EF10M	B-28	BB024L8LT14	E-64	BDALHCEB	A-54
B-8410	E-98	BA14EF2	B-28	BB024L9T14	E-61	BDAMHC112/0	A-52
B-8413	E-98	BA14EF6	B-28	BB024SSL12LT14	E-66	BDAMHC11350	A-52
B-8414	E-91	BA14EF8	B-28	BB024SSL12LT38	E-66	BDAMHC14500	A-52

ALPHA-NUMERIC INDEX BY CATALOG NUMBER (Continued)

Catalog Number	Page #	Catalog Number	Page #	Catalog Number	Page #	Catalog Number	Page #
BDAMHC162/0	A-52	BDBLCS6K3FS	A-50	BDBMCS2N1FS	A-49	BDBSCSCOVER	A-48
BDAMHC162500	A-52	BDBLCS6KA	A-50	BDBMCS2N1FSKIT	A-49	BDBSHCCOVER	A-51
BDAMHC222/0	A-52	BDBLCS6R1	A-50	BDBMCS2N2	A-49	BDCSHC112/01	A-51
BDAMHC262/0	A-52	BDBLCS6R1FS	A-50	BDBMCS2N2FS	A-49	BDCSHC142/01	A-51
BDAMHCEB	A-52	BDBLCS6R1FSKIT	A-50	BDBMCS2N3	A-49	BDESS750-3	K-68
BDASHC112/01	A-51	BDBLCS6R2	A-50	BDBMCS2N3FS	A-49	BDESS750-4	K-68
BDASHC142/01	A-51	BDBLCS6R2FS	A-50	BDBMCS2NA	A-49	BDESS750-5	K-68
BDASHCEB	A-51	BDBLCS6R3	A-50	BDBMCS3U1	A-49	BDESS750-6	K-68
BDBLCS3A1	A-50	BDBLCS6R3FS	A-50	BDBMCS3U1FS	A-49	BDESS750-7	K-68
BDBLCS3A1FS	A-50	BDBLCS6RA	A-50	BDBMCS3U1FSKIT	A-49	BDESS750-8	K-68
BDBLCS3A1FSKIT	A-50	BDBLCS6V1	A-50	BDBMCS3U2	A-49	BDSC1	F-5
BDBLCS3A2	A-50	BDBLCS6V1FS	A-50	BDBMCS3U2FS	A-49	BDSC5	F-5
BDBLCS3A2FS	A-50	BDBLCS6V1FSKIT	A-50	BDBMCS3U3	A-49	BDT1	E-48
BDBLCS3A3	A-50	BDBLCS6V2	A-50	BDBMCS3U3FS	A-49	BDTIBB	E-49
BDBLCS3A3FS	A-50	BDBLCS6V2FS	A-50	BDBMCS3UA	A-49	BE12	E-62
BDBLCS3AA	A-50	BDBLCS6V3	A-50	BDBMCS5F1	A-49	BE12N	E-62
BDBLCS3K1	A-50	BDBLCS6V3FS	A-50	BDBMCS5F1FS	A-49	BE12T58	E-61
BDBLCS3K1FS	A-50	BDBLCS6VA	A-50	BDBMCS5F1FSKIT	A-49	BE12T716	E-61
BDBLCS3K1FSKIT	A-50	BDBLCSCOVER	A-48	BDBMCS5F2	A-49	BE18	E-62
BDBLCS3K2	A-50	BDBLHC1123501	A-53	BDBMCS5F2FS	A-49	BE18N	E-62
BDBLCS3K2FS	A-50	BDBLHC1123502	A-53	BDBMCS5F3	A-49	BE18T58	E-61
BDBLCS3K3	A-50	BDBLHC1123503	A-53	BDBMCS5F3FS	A-49	BE18T716	E-61
BDBLCS3K3FS	A-50	BDBLHC115001	A-53	BDBMCS5FA	A-49	BE24	E-62
BDBLCS3KA	A-50	BDBLHC115002	A-53	BDBMCS5M1	A-49	BE24N	E-62
BDBLCS4K1	A-50	BDBLHC115003	A-53	BDBMCS5M1FS	A-49	BE24T58	E-61
BDBLCS4K1FS	A-50	BDBLHC163501	A-53	BDBMCS5M1FSKIT	A-49	BE6T716	E-61
BDBLCS4K1FSKIT	A-50	BDBLHC163502	A-53	BDBMCS5M2	A-49	BEC2-14	E-122
BDBLCS4K2	A-50	BDBLHC163503	A-53	BDBMCS5M2FS	A-49	BEC2-14BK	E-122
BDBLCS4K2FS	A-50	BDBLHC165001	A-53	BDBMCS5M3	A-49	BEC2-14CL	E-122
BDBLCS4K3	A-50	BDBLHC165002	A-53	BDBMCS5M3FS	A-49	BEC2-516	E-122
BDBLCS4K3FS	A-50	BDBLHC165003	A-53	BDBMCS5MA	A-49	BEC2-516BK	E-122
BDBLCS4KA	A-50	BDBLHC2125001	A-53	BDBMCSCOVER	A-48	BEC2-516CL	E-122
BDBLCS4T1	A-50	BDBLHC2125002	A-53	BDBMHC112/01	A-52	BECBSD	N-63
BDBLCS4T1FS	A-50	BDBLHC2125003	A-53	BDBMHC112/02	A-52	BECNVD	N-63
BDBLCS4T1FSKIT	A-50	BDBLHC223501	A-53	BDBMHC112/03	A-52	BF12	E-62
BDBLCS4T2	A-50	BDBLHC223502	A-53	BDBMHC113501	A-52	BF12N	E-62
BDBLCS4T2FS	A-50	BDBLHC223503	A-53	BDBMHC113502	A-52	BF12T716	E-61
BDBLCS4T3	A-50	BDBLHC225001	A-53	BDBMHC113503	A-52	BF18	E-62
BDBLCS4T3FS	A-50	BDBLHC225002	A-53	BDBMHC145001	A-52	BF18N	E-62
BDBLCS4TA	A-50	BDBLHC225003	A-53	BDBMHC145002	A-52	BF18T716	E-61
BDBLCS5K1	A-50	BDBLHC226001	A-54	BDBMHC145003	A-52	BF24	E-62
BDBLCS5K1FS	A-50	BDBLHC226002	A-54	BDBMHC162/01	A-52	BF24N	E-62
BDBLCS5K1FSKIT	A-50	BDBLHC226003	A-54	BDBMHC162/02	A-52	BF6T716	E-61
BDBLCS5K2	A-50	BDBLHC245001	A-54	BDBMHC162/03	A-52	BG12	E-62
BDBLCS5K2FS	A-50	BDBLHC245002	A-54	BDBMHC1625001	A-52	BG12N	E-62
BDBLCS5K3	A-50	BDBLHC245003	A-54	BDBMHC1625002	A-52	BG12T12	E-61
BDBLCS5K3FS	A-50	BDBLHC263501	A-53	BDBMHC1625003	A-52	BG12T716	E-61
BDBLCS5KA	A-50	BDBLHC263502	A-53	BDBMHC222/01	A-52	BG18	E-62
BDBLCS5W1	A-50	BDBLHC263503	A-53	BDBMHC222/02	A-52	BG18N	E-62
BDBLCS5W1FS	A-50	BDBLHC265001	A-54	BDBMHC222/03	A-52	BG24	E-62
BDBLCS5W1FSKIT	A-50	BDBLHC265002	A-54	BDBMHC262/01	A-52	BG24N	E-62
BDBLCS5W2	A-50	BDBLHC265003	A-54	BDBMHC262/02	A-52	BG6T716	E-61
BDBLCS5W2FS	A-50	BDBLHC265007	A-54	BDBMHC262/03	A-52	BG8T716	E-61
BDBLCS5W3	A-50	BDBMCS1F1	A-49	BDBMHCCOVER	A-52	BGBL-1/0	A-25
BDBLCS5W3FS	A-50	BDBMCS1F1FS	A-49	BDBSCS1C1	A-49	BGBL-250	A-25
BDBLCS5WA	A-50	BDBMCS1F1FSKIT	A-49	BDBSCS1C1FS	A-49	BGBL-4	A-25
BDBLCS6A1	A-50	BDBMCS1F2	A-49	BDBSCS1C1FSKIT	A-49	BGBL4SS	A-25
BDBLCS6A1FS	A-50	BDBMCS1F2FS	A-49	BDBSCS1C2	A-49	BGBS4	E-39
BDBLCS6A1FSKIT	A-50	BDBMCS1F3	A-49	BDBSCS1C2FS	A-49	BGBS4BULK	E-39
BDBLCS6A2	A-50	BDBMCS1F3FS	A-49	BDBSCS1C3	A-49	BGBS5	E-39
BDBLCS6A2FS	A-50	BDBMCS1FA	A-49	BDBSCS1C3FS	A-49	BGBS5BULK	E-39
BDBLCS6A3	A-50	BDBMCS2F1	A-49	BDBSCS1CA	A-49	BHSG1100	F-17
BDBLCS6A3FS	A-50	BDBMCS2F1FS	A-49	BDBSCS1P1	A-49	BIBD2/0-10	A-45
BDBLCS6AA	A-50	BDBMCS2F1FSKIT	A-49	BDBSCS1P1FS	A-49	BIBD2/010FX	A-39
BDBLCS6K1	A-50	BDBMCS2F2	A-49	BDBSCS1P1FSKIT	A-49	BIBD2/010FXMT	A-40
BDBLCS6K1FS	A-50	BDBMCS2F2FS	A-49	BDBSCS1P2	A-49	BIBD2/010MT	A-46
BDBLCS6K1FSKIT	A-50	BDBMCS2F3	A-49	BDBSCS1P2FS	A-49	BIBD2/0-12	A-45
BDBLCS6K2	A-50	BDBMCS2F3FS	A-49	BDBSCS1P3	A-49	BIBD2/012FX	A-39
BDBLCS6K2FS	A-50	BDBMCS2FA	A-49	BDBSCS1P3FS	A-49	BIBD2/012FXMT	A-40
BDBLCS6K3	A-50	BDBMCS2N1	A-49	BDBSCS1PA	A-49	BIBD2/012MT	A-46

ALPHA-NUMERIC INDEX BY CATALOG NUMBER (Continued)

Catalog Number	Page #	Catalog Number	Page #	Catalog Number	Page #	Catalog Number	Page #
BIBD2/0-14.....	A-45	BIBD3508FX.....	A-41	BIBS2/03FX.....	A-39	BIBS3508FXMT.....	A-41
BIBD2/014FX.....	A-39	BIBD3508FXMT.....	A-41	BIBS2/0-4.....	A-44	BIBS3508MT.....	A-46
BIBD2/0-2.....	A-45	BIBD3508MT.....	A-46	BIBS2/04FX.....	A-39	BIBS4-3.....	A-44
BIBD2/02FX.....	A-39	BIBD4-2.....	A-45	BIBS2/04FXMT.....	A-40	BIBS43FX.....	A-39
BIBD2/0-3.....	A-45	BIBD42FX.....	A-39	BIBS2/04MT.....	A-46	BIBS4-4.....	A-44
BIBD2/03FX.....	A-39	BIBD4-3.....	A-45	BIBS2/0-5.....	A-44	BIBS44FX.....	A-39
BIBD2/0-4.....	A-45	BIBD43FX.....	A-39	BIBS2/05FX.....	A-39	BIBS4-5.....	A-44
BIBD2/04FX.....	A-39	BIBD4-4.....	A-45	BIBS2/0-6.....	A-44	BIBS45FX.....	A-39
BIBD2/04FXMT.....	A-40	BIBD44FX.....	A-39	BIBS2/06FX.....	A-39	BIBS4-6.....	A-44
BIBD2/04MT.....	A-46	BIBD4-5.....	A-45	BIBS2/06FXMT.....	A-40	BIBS46FX.....	A-39
BIBD2/0-5.....	A-45	BIBD45FX.....	A-39	BIBS2/06MT.....	A-46	BIBS4-8.....	A-44
BIBD2/05FX.....	A-39	BIBD4-6.....	A-45	BIBS2/0-8.....	A-44	BIBS48FX.....	A-39
BIBD2/0-6.....	A-45	BIBD46FX.....	A-39	BIBS2/08FX.....	A-39	BIBS5003DB.....	A-37
BIBD2/06FX.....	A-39	BIBD4-8.....	A-45	BIBS2/08FXMT.....	A-40	BIBS5004DB.....	A-37
BIBD2/06MT.....	A-46	BIBD48FX.....	A-39	BIBS2/08MT.....	A-46	BIBS5005DB.....	A-37
BIBD2/0-8.....	A-45	BIBD600-10.....	A-45	BIBS250-10.....	A-44	BIBS5006DB.....	A-37
BIBD2/08FX.....	A-39	BIBD60010FX.....	A-42	BIBS25010FX.....	A-40	BIBS600-10.....	A-44
BIBD2/08FXMT.....	A-40	BIBD60010FXMT.....	A-42	BIBS25010FXMT.....	A-40	BIBS60010FX.....	A-42
BIBD2/08MT.....	A-46	BIBD60010MT.....	A-46	BIBS25010MT.....	A-46	BIBS60010MT.....	A-46
BIBD250-10.....	A-45	BIBD600-12.....	A-45	BIBS250-12.....	A-44	BIBS600-12.....	A-44
BIBD25010FX.....	A-40	BIBD60012FX.....	A-42	BIBS25012FX.....	A-40	BIBS60012FX.....	A-42
BIBD25010FXMT.....	A-40	BIBD60012FXMT.....	A-42	BIBS25012FXMT.....	A-40	BIBS60012FXMT.....	A-42
BIBD25010MT.....	A-46	BIBD60012MT.....	A-46	BIBS25012MT.....	A-46	BIBS60012MT.....	A-46
BIBD250-12.....	A-45	BIBD600-14.....	A-45	BIBS250-14.....	A-44	BIBS600-14.....	A-44
BIBD25012FX.....	A-40	BIBD60014FX.....	A-42	BIBS25014FX.....	A-40	BIBS60014FX.....	A-42
BIBD25012FXMT.....	A-40	BIBD600-2.....	A-45	BIBS250-3.....	A-44	BIBS600-3.....	A-44
BIBD25012MT.....	A-46	BIBD6002FX.....	A-42	BIBS2503FX.....	A-40	BIBS6003FX.....	A-41
BIBD250-14.....	A-45	BIBD600-3.....	A-45	BIBS250-4.....	A-44	BIBS600-4.....	A-44
BIBD25014FX.....	A-40	BIBD6003FX.....	A-42	BIBS2504FX.....	A-40	BIBS6004FX.....	A-41
BIBD250-2.....	A-45	BIBD600-4.....	A-45	BIBS2504FXMT.....	A-40	BIBS6004FXMT.....	A-42
BIBD2502FX.....	A-40	BIBD6004FX.....	A-42	BIBS2504MT.....	A-46	BIBS6004MT.....	A-46
BIBD250-3.....	A-45	BIBD6004FXMT.....	A-42	BIBS250-5.....	A-44	BIBS600-5.....	A-44
BIBD2503FX.....	A-40	BIBD6004MT.....	A-46	BIBS2505FX.....	A-40	BIBS6005FX.....	A-41
BIBD250-4.....	A-45	BIBD600-5.....	A-45	BIBS250-6.....	A-44	BIBS600-6.....	A-44
BIBD2504FX.....	A-40	BIBD6005FX.....	A-42	BIBS2506FX.....	A-40	BIBS6006FX.....	A-41
BIBD2504FXMT.....	A-40	BIBD600-6.....	A-45	BIBS2506FXMT.....	A-40	BIBS6006FXMT.....	A-42
BIBD2504MT.....	A-46	BIBD6006FX.....	A-42	BIBS2506MT.....	A-46	BIBS6006MT.....	A-46
BIBD250-5.....	A-45	BIBD6006FXMT.....	A-42	BIBS250-8.....	A-44	BIBS600-8.....	A-44
BIBD2505FX.....	A-40	BIBD6006MT.....	A-46	BIBS2508FX.....	A-40	BIBS6008FX.....	A-42
BIBD250-6.....	A-45	BIBD600-8.....	A-45	BIBS2508FXMT.....	A-40	BIBS6008FXMT.....	A-42
BIBD2506FX.....	A-40	BIBD6008FX.....	A-42	BIBS2508MT.....	A-46	BIBS6008MT.....	A-46
BIBD2506MT.....	A-46	BIBD6008FXMT.....	A-42	BIBS350-10.....	A-44	BIBS750-10.....	A-44
BIBD250-8.....	A-45	BIBD6008MT.....	A-46	BIBS35010FX.....	A-41	BIBS75010FX1.....	A-42
BIBD2508FX.....	A-40	BIBD750-10.....	A-45	BIBS35010FXMT.....	A-41	BIBS750-12.....	A-44
BIBD2508FXMT.....	A-40	BIBD75010FX1.....	A-42	BIBS35010MT.....	A-46	BIBS75012FX1.....	A-42
BIBD2508MT.....	A-46	BIBD750-12.....	A-45	BIBS350-12.....	A-44	BIBS750-14.....	A-44
BIBD350-10.....	A-45	BIBD75012FX1.....	A-42	BIBS35012FX.....	A-41	BIBS75014FX1.....	A-42
BIBD35010FX.....	A-41	BIBD750-14.....	A-45	BIBS35012FXMT.....	A-41	BIBS750-3.....	A-44
BIBD35010FXMT.....	A-41	BIBD75014FX1.....	A-42	BIBS35012MT.....	A-46	BIBS7503FX1.....	A-42
BIBD35010MT.....	A-46	BIBD750-2.....	A-45	BIBS350-14.....	A-44	BIBS750-4.....	A-44
BIBD350-12.....	A-45	BIBD7502FX1.....	A-42	BIBS35014FX.....	A-41	BIBS7504FX1.....	A-42
BIBD35012FX.....	A-41	BIBD750-3.....	A-45	BIBS3502DB.....	A-37	BIBS750-6.....	A-44
BIBD35012FXMT.....	A-41	BIBD7503FX1.....	A-42	BIBS350-3.....	A-44	BIBS7506FX1.....	A-42
BIBD35012MT.....	A-46	BIBD750-4.....	A-45	BIBS3503DB.....	A-37	BIBS750-8.....	A-44
BIBD350-14.....	A-45	BIBD7504FX1.....	A-42	BIBS3503FX.....	A-41	BIBS7508FX1.....	A-42
BIBD350-2.....	A-45	BIBD750-6.....	A-45	BIBS350-4.....	A-44	BIC2-4-750.....	K-78
BIBD3502FX.....	A-41	BIBD7506FX1.....	A-42	BIBS3504DB.....	A-37	BIC2-6-750.....	K-78
BIBD350-3.....	A-45	BIBD750-8.....	A-45	BIBS3504FX.....	A-41	BIC2-8-750.....	K-78
BIBD3503FX.....	A-41	BIBD7508FX1.....	A-42	BIBS3504FXMT.....	A-41	BIC-4-350.....	K-78
BIBD350-4.....	A-45	BIBS2/0-10.....	A-44	BIBS3504MT.....	A-46	BIC-4-500.....	K-78
BIBD3504FX.....	A-41	BIBS2/010FX.....	A-39	BIBS350-5.....	A-44	BIC-6-350.....	K-78
BIBD3504FXMT.....	A-41	BIBS2/010FXMT.....	A-40	BIBS3505DB.....	A-37	BIC-6-500.....	K-78
BIBD3504MT.....	A-46	BIBS2/010MT.....	A-46	BIBS3505FX.....	A-41	BIC-8-350.....	K-78
BIBD350-5.....	A-45	BIBS2/0-12.....	A-44	BIBS350-6.....	A-44	BIC-8-500.....	K-78
BIBD3505FX.....	A-41	BIBS2/012FX.....	A-39	BIBS3506DB.....	A-37	BIPC1/0-2.....	A-12
BIBD350-6.....	A-45	BIBS2/012FXMT.....	A-40	BIBS3506FX.....	A-41	BIPC350-350.....	A-12
BIBD3506FX.....	A-41	BIBS2/012MT.....	A-46	BIBS3506FXMT.....	A-41	BIPC350-4/0.....	A-12
BIBD3506FXMT.....	A-41	BIBS2/0-14.....	A-44	BIBS3506MT.....	A-46	BIPC4/0-1/0.....	A-12
BIBD3506MT.....	A-46	BIBS2/014FX.....	A-39	BIBS350-8.....	A-44	BIPC4/0-6.....	A-12
BIBD350-8.....	A-45	BIBS2/0-3.....	A-44	BIBS3508FX.....	A-41	BIPC500-4/0.....	A-12

ALPHA-NUMERIC INDEX BY CATALOG NUMBER (Continued)

Catalog Number	Page #	Catalog Number	Page #	Catalog Number	Page #	Catalog Number	Page #
BISR1/0.....	A-43	BPCL1.....	A-60	BSSBC750-4-2.....	K-67	BYNA39RT15HACCC.....	I-47
BISR1/0FX.....	A-39	BPCL2.....	A-60	BSSBC750-5.....	K-68	BYNA39RT15HHT.....	I-18, I-19
BISR1-DB.....	A-36	BPCL3.....	A-60	BSSBC750-6.....	K-68	BYNA39RT15HT.....	I-23
BISR2.....	A-43	BPCL4.....	A-60	BSSBC750-6-2.....	K-67	BYNA39RTACCC.....	I-50
BISR250.....	A-43	BPD2-4-750.....	K-78	BSSBC750-7.....	K-68	BYNA39RTHT.....	I-23
BISR250-DB.....	A-36	BPD2-6-750.....	K-78	BSSBC750-8.....	K-68	BYNA43R15HHT.....	I-16, I-17
BISR250FX.....	A-40	BPD2-8-750.....	K-78	BSSI-20.....	K-74	BYNA43R15HT.....	I-22
BISR2FX.....	A-39	BPD-4-350.....	K-78	BSSI-500.....	K-74	BYNA43RHT.....	I-22
BISR3/0-DB.....	A-36	BPD-4-500.....	K-78	BSSI-500L.....	K-74	BYNA43RT15ACCC.....	I-50
BISR350.....	A-43	BPD-6-350.....	K-78	BTW150750.....	A-37, H-3, N-106	BYNA43RT15HACCC.....	I-47
BISR350FX.....	A-41	BPD-6-500.....	K-78			BYNA43RT15HHT.....	I-18, I-19
BISR4-DB.....	A-36	BPD-8-350.....	K-78	BTW1575F12.....	N-106	BYNA43RT15HT.....	I-23
BISR500.....	A-43	BPD-8-500.....	K-78	BTW30150.....	A-37, H-3, N-106	BYNA43RTACCC.....	I-50
BISR500FX.....	A-41	BPTE14-750.....	A-59			BYNA43RTHT.....	I-23
BIT2/0.....	A-43	BPTE20-1000.....	A-59	BTWTC500.....	K-74	BYNA45R15HHT.....	I-16, I-17
BIT2/0FX.....	A-39	BPTE22-750.....	A-59	BULF10HS.....	B-83	BYNA45R15HT.....	I-22
BIT250.....	A-43	BPTE26-500.....	A-59	BULF10P.....	B-82	BYNA45RHT.....	I-22
BIT250FX.....	A-40	BS-2006.....	E-96	BULF14HS.....	B-83	BYNA45RT15ACCC.....	I-50
BIT350.....	A-43	BS-2007.....	E-96	BULF14N.....	B-82	BYNA45RT15HACCC.....	I-47
BIT350FX.....	A-41	BS-2008.....	E-96	BULF14NG.....	B-83	BYNA45RT15HHT.....	I-18, I-19
BIT4.....	A-43	BS-2009.....	E-96	BULF14P.....	B-82, B-92	BYNA45RT15HT.....	I-23
BIT4FX.....	A-39	BS-2010.....	E-96	BULF18HS.....	B-83	BYNA45RTACCC.....	I-50
BIT600.....	A-43	BS-2011.....	E-96	BULF18N.....	B-82	BYNA45RTHT.....	I-23
BIT600FX.....	A-41	BS-2012.....	E-96	BULF18NG.....	B-83	BYNA49R15HHT.....	I-16, I-17
BIT750.....	A-43	BS-2013.....	E-96	BULF18P.....	B-82, B-92	BYNA49R15HT.....	I-22
BIT750FX1.....	A-42	BS-2014.....	E-96	BULM10P.....	B-80	BYNA49RHT.....	I-22
BITO2/0.....	A-43	BS-2015.....	E-96	BULM14HS.....	B-81	BYNA49RT15ACCC.....	I-50
BITO2/0FX.....	A-39	BS-2016.....	E-96	BULM14N.....	B-80	BYNA49RT15HACCC.....	I-48
BITO250.....	A-43	BS-2017.....	E-96	BULM14NG.....	B-81	BYNA49RT15HHT.....	I-18, I-19
BITO250FX.....	A-40	BS-2018.....	E-96	BULM14P.....	B-80, B-92	BYNA49RT15HT.....	I-23
BITO350.....	A-43	BS-2019.....	E-96	BULM18HS.....	B-81	BYNA49RTACCC.....	I-50
BITO350FX.....	A-41	BS-2020.....	E-96	BULM18N.....	B-80	BYNA49RTHT.....	I-23
BITO4.....	A-43	BS-2021.....	E-96	BULM18NG.....	B-81	BYNA52R15HHT.....	I-16, I-17
BITO4FX.....	A-39	BS-2024.....	E-96	BULM18P.....	B-80, B-92	BYNA52R15HT.....	I-22
BITO600.....	A-43	BS-2025.....	E-96	BWB680AG.....	E-80	BYNA52RHT.....	I-22
BITO600FX.....	A-41	BS-2026.....	E-96	BWB680IG.....	E-80	BYNA52RT15ACCC.....	I-50
BITO750.....	A-43	BS-2027.....	E-96	BWTE14-1000.....	A-58	BYNA52RT15HACCC.....	I-48
BITO750FX1.....	A-42	BS-2028.....	E-96	BWTE14-750.....	A-58	BYNA52RT15HHT.....	I-18, I-19
BMC2-14.....	E-122	BS-2029.....	E-96	BWTE21-500.....	A-58	BYNA52RT15HT.....	I-23
BMC2-14BK.....	E-122	BS-2030.....	E-96	BYNA245MM2T15HACCC.....	I-47	BYNA52RTACCC.....	I-50
BMC2-14CL.....	E-122	BS-2031.....	E-96	BYNA245MRT15ACCC.....	I-50	BYNA52RTHT.....	I-23
BMC2-516.....	E-122	BS-2032.....	E-96	BYNA245MRTACCC.....	I-50	BYNA56R15HHT.....	I-16, I-17
BMC2-516BK.....	E-122	BS-2033.....	E-96	BYNA32R15HHT.....	I-16, I-17	BYNA56R15HT.....	I-22
BMC2-516CL.....	E-122	BS-2034.....	E-96	BYNA32R15HT.....	I-22	BYNA56RHT.....	I-22
BMCSS6W17.....	E-121	BS-2068.....	E-96	BYNA32RHT.....	I-22	BYNA58RT15HHT.....	I-18, I-19
BMCSS8W17.....	E-121	BS-2069.....	E-96	BYNA32RT15ACCC.....	I-50	BYNA58RT15HT.....	I-23
BMVBCHMT.....	N-53	BS-2070.....	E-96	BYNA32RT15HACCC.....	I-47	BYNA58RTHT.....	I-23
BP10PADKIT.....	N-97	BS-2105.....	E-96	BYNA32RT15HHT.....	I-18, I-19	BYNA58R15HHT.....	I-16, I-17
BPC1000.....	F-15	BS-2106.....	E-96	BYNA32RT15HT.....	I-23	BYNA58R15HT.....	I-22
BPC1125.....	F-15	BS-2107.....	E-96	BYNA32RTACCC.....	I-50	BYNA58RHT.....	I-22
BPC1187.....	F-15	BS-2108.....	E-96	BYNA32RTHT.....	I-23	BYNA58RT15HHT.....	I-18, I-19
BPC1250.....	F-15	BS-2109.....	E-96	BYNA34R15HHT.....	I-16, I-17	BYNA58RT15HT.....	I-23
BPC1375.....	F-15	BS-2110.....	E-96	BYNA34R15HT.....	I-22	BYNA58RTHT.....	I-23
BPC1500.....	F-15	BSC1000.....	F-14	BYNA34RHT.....	I-22	BYNA590MRT15ACCC.....	I-50
BPC1687.....	F-15	BSC1125.....	F-14	BYNA34RT15HHT.....	I-18, I-19	BYNA590MRT15HACCC.....	I-48
BPC1875.....	F-15	BSC1375.....	F-14	BYNA34RT15HT.....	I-23	BYNA590MRTACCC.....	I-50
BPC2000.....	F-15	BSC1500.....	F-14	BYNA34RTHT.....	I-23	BYNA59R15HHT.....	I-16, I-17
BPC2375.....	F-15	BSC1875.....	F-14	BYNA36R15HHT.....	I-16, I-17	BYNA59R15HT.....	I-22
BPC2500.....	F-15	BSC2375.....	F-14	BYNA36R15HT.....	I-22	BYNA59RHT.....	I-22
BPC312.....	F-15	BSC250025.....	F-14	BYNA36RHT.....	I-22	BYNA59RT15HHT.....	I-18, I-19
BPC3500.....	F-15	BSC687.....	F-14	BYNA36RT15ACCC.....	I-50	BYNA59RT15HT.....	I-23
BPC375.....	F-15	BSD20100.....	E-72	BYNA36RT15HACCC.....	I-47	BYNA59RTHT.....	I-23
BPC437.....	F-15	BSD2050.....	E-72	BYNA36RT15HHT.....	I-18, I-19	BYNA760MRT15ACCC.....	I-50
BPC500.....	F-15	BSD2050N.....	E-72	BYNA36RT15HT.....	I-23	BYNA760MRT15HACCC.....	I-48
BPC562.....	F-15	BSD2050Y.....	E-72	BYNA36RTACCC.....	I-50	BYNA760MRTACCC.....	I-50
BPC625.....	F-15	BSSBC750-2-1.....	K-67	BYNA36RTHT.....	I-23	BYNS32RHT.....	I-24
BPC687.....	F-15	BSSBC750-3.....	K-68	BYNA39R15HHT.....	I-16, I-17	BYNS32RTHT.....	I-25
BPC750.....	F-15	BSSBC750-3-1.....	K-67	BYNA39R15HT.....	I-22	BYNS34RHT.....	I-24
BPC843.....	F-15	BSSBC750-4.....	K-68	BYNA39RHT.....	I-22	BYNS34RTHT.....	I-25
BPC875.....	F-15	BSSBC750-4-1.....	K-67	BYNA39RT15ACCC.....	I-50	BYNS36RHT.....	I-24

ALPHA-NUMERIC INDEX BY CATALOG NUMBER (Continued)

Catalog Number	Page #	Catalog Number	Page #	Catalog Number	Page #	Catalog Number	Page #
BYNS36RTHT.....	I-25	CCY10L18LT1090G.....	E-65	CM2929P.....	K-35	CT110500SSBC.....	G-17
BYNS39RHT.....	I-24	CCY10L18LT14GY.....	E-65	CM29L.....	K-35	CT110500SSBC0.....	G-17
BYNS39RTHT.....	I-25	CCY10L18LT38G.....	E-65	CM3029P.....	K-35	CT110500SSBL.....	G-17
BYNS43RHT.....	I-24	CCY10L18T12G.....	E-65	CM3229P.....	K-35	CT110600SSBL0.....	G-17
BYNS43RTHT.....	I-25	CCY10L24LT1090G.....	E-65	CM3429P.....	K-35	CT110600SSBC.....	G-17
BYNS451RHT.....	I-24	CCY10L24LT38G.....	E-65	CM3629P.....	K-35	CT110600SSBC0.....	G-17
BYNS451RTHT.....	I-25	CCY10L24T12G.....	E-65	CMB-29P.....	K-35	CT110600SSBL.....	G-17
BYNS49RHT.....	I-24	CCY10L6LT38G.....	E-65	CMB-29R.....	K-35	CT110600SSBL0.....	G-17
BYNS49RTHT.....	I-25	CCY10L7T14GY.....	E-65	CP2525.....	H-13	CT110800SSBC.....	G-17
BYNS52RHT.....	I-24	CCY10L9LT38G.....	E-65	CP2626.....	H-13	CT110800SSBC0.....	G-17
BYNS52RTHT.....	I-25	CCY10L9T12G.....	E-65	CP26A26A.....	H-11	CT110800SSBL.....	G-17
BYNS56RHT.....	I-24	CCY10L9T14GY.....	E-65	CP27A27A.....	H-11	CT110800SSBL0.....	G-17
BYNS56RTHT.....	I-25	CFAD-FR.....	C-194	CP2828.....	H-13	CT120200D.....	G-8
BYNS58RHT.....	I-24	CFAN-FR.....	C-194	CP28A28A.....	H-11	CT120200D0.....	G-8
BYNS58RTHT.....	I-25	CFANL-FR.....	C-194	CP2929.....	H-13	CT120200L.....	G-8
BYNS59RHT.....	I-24	CFAO-FR.....	C-194	CP29A29A.....	H-11	CT120200L0.....	G-8
BYNS59RTHT.....	I-25	CFAR-FR*.....	C-194	CP2C2C.....	H-13	CT120200LOUG.....	G-19
C-11B.....	E-50	CH10C.....	G-15	CP30A30A.....	H-11	CT120300D.....	G-8
C-11CSH-1.....	E-54	CH10C0.....	G-15	CP31A31A.....	H-11	CT120300D0.....	G-8
C-11CSH-2.....	E-54	CH10M.....	G-15	CP32A32A.....	H-11	CT120300L.....	G-8
C-11CSH-3.....	E-54	CH10M0.....	G-15	CP3434.....	H-13	CT120300L0.....	G-8
C11CSLH12.....	E-54	CH11C.....	G-15	CP34A34A.....	H-11	CT120300SSBC.....	G-17
C-11D.....	E-50	CH11M.....	G-15	CP37A37A.....	H-11	CT120300SSBC0.....	G-17
C11HD4/0DB.....	E-52	CH12C.....	G-15	CPB10.....	A-65	CT120300SSBL.....	G-17
C-11JA.....	E-52	CH12C0.....	G-15	CPB12.....	A-65	CT120300SSBL0.....	G-17
C-11JPT.....	E-50	CH12M.....	G-15	CPB14.....	A-65	CT120350SSBC.....	G-17
C11K16D.....	E-51	CH12M0.....	G-15	CPB16-5/8.....	A-65	CT120350SSBC0.....	G-17
C11K17D.....	E-51	CH14C.....	G-15	CPB21-1/4.....	A-65	CT120350SSBL.....	G-17
C-11LH-1.....	E-54	CH14C0.....	G-15	CPB6.....	A-65	CT120350SSBL0.....	G-17
C-11LH-2.....	E-54	CH14M.....	G-15	CPB8.....	A-65	CT120400C0UG.....	G-19
C-11LH-3.....	E-54	CH16C.....	G-15	CPT10.....	A-65	CT120400D.....	G-4, G-8
C-11N.....	E-50	CH16M.....	G-15	CPT12.....	A-65	CT120400D0.....	G-4, G-8
C-22.....	E-50	CH18C.....	G-15	CPT16.....	A-65	CT120400D00.....	G-4, G-8
C-22D.....	E-50	CH18M.....	G-15	CPT6.....	A-65	CT120400L.....	G-4, G-8
C22HD4/0DB.....	E-52	CH24C.....	G-15	CPT8.....	A-65	CT120400L0.....	G-4, G-8
C-22JA.....	E-52	CH24C0.....	G-15	CSB037800SR1.....	F-6	CT120400L00.....	G-4, G-8
C-22JPT.....	E-50	CH24L.....	G-15	CSB051900SR1.....	F-6	CT120400LOUG.....	G-19
C-22LH-1.....	E-54	CH2C.....	G-15	CSB0971200SR1.....	F-6	CT120400LUG.....	G-19
C-22LH-2.....	E-54	CH2C0.....	G-15	CSB097900SR1.....	F-6	CT120400M0.....	G-4
C-22LH-3.....	E-54	CH2M.....	G-15	CSB125900SR1.....	F-6	CT120400MH14D.....	G-12
C-4.....	E-50	CH3C.....	G-15	CSB163900SR1.....	F-6	CT120400MH14D0.....	G-12
C-4JA.....	E-52	CH3C0.....	G-15	CSJB097600SR1.....	F-6	CT120400MH14L.....	G-12
C-4JPT.....	E-50	CH3M.....	G-15	CSJB125800SR1.....	F-6	CT120400MH14L0.....	G-12
C-4LH-1.....	E-54	CH4C.....	G-15	CSJB163900SR1.....	F-6	CT120400SSBC.....	G-17
C-4LH-2.....	E-54	CH4C0.....	G-15	CSMD68LI.....	N-19	CT120400SSBC0.....	G-17
C-4LH-3.....	E-54	CH4M.....	G-15	CSMD6LI.....	N-19	CT120400SSBL.....	G-17
C-5.....	E-50	CH4M0.....	G-15	CT110200SSBB.....	G-17	CT120400SSBL0.....	G-17
C-6.....	E-53	CH5C.....	G-15	CT110200SSBB0.....	G-17	CT120500CUG.....	G-19
C-61.....	E-53	CH5C0.....	G-15	CT110200SSBC.....	G-17	CT120500SSBC.....	G-17
C-66.....	E-53	CH5M.....	G-15	CT110200SSBC0.....	G-17	CT120500SSBC0.....	G-17
C-6D.....	E-53	CH6C.....	G-15	CT110225SSBC.....	G-17	CT120500SSBL.....	G-17
C-7.....	E-53	CH6C0.....	G-15	CT110225SSBC0.....	G-17	CT120500SSBL0.....	G-17
C-8.....	E-50	CH6M.....	G-15	CT110225SSBL.....	G-17	CT120800L.....	G-8
CASEWDIES.....	N-73 - N-75	CH6M0.....	G-15	CT110225SSBL0.....	G-17	CT120800L00.....	G-8
CCD.....	H-27	CH7C.....	G-15	CT110300SSBC.....	G-17	CT120900LUG.....	G-19
CCFBG-FR.....	C-195	CH7C0.....	G-15	CT110300SSBC0.....	G-17	CT1751100Q.....	G-4, G-9
CCFD-FR.....	C-195	CH7M.....	G-15	CT110300SSBL.....	G-17	CT1751100Q0.....	G-4, G-9
CCFDX-FR.....	C-195	CH8C.....	G-15	CT110300SSBL0.....	G-17	CT1751100QUG.....	G-19
CCFN-FR.....	C-195	CH8C0.....	G-15	CT110325SSBB.....	G-17	CT1751100QUG.....	G-19
CCFO-FR.....	C-195	CH8M.....	G-15	CT110325SSBB0.....	G-17	CT1751400Q0.....	G-9
CCFR-FR.....	C-195	CH9C.....	G-15	CT110325SSBC.....	G-17	CT1751400QUG.....	G-19
CCN.....	H-27	CH9C0.....	G-15	CT110325SSBC0.....	G-17	CT1751500Q.....	G-9
CCNL.....	H-27	CH9M.....	G-15	CT110350SSBC.....	G-17	CT175400Q0UG.....	G-19
CCO.....	H-27	CL1/0-14TN.....	A-23, E-38	CT110350SSBC0.....	G-17	CT175500Q.....	G-9
CCY106LT12G.....	E-65	CL250-516TN.....	A-23, E-38	CT110350SSBL.....	G-17	CT175500Q0.....	G-9
CCY10L12LT1090G.....	E-65	CL3/0-516TN.....	A-23, E-38	CT110350SSBL0.....	G-17	CT175600Q.....	G-4, G-9
CCY10L12LT14GY.....	E-65	CL50-1.....	A-23, E-38	CT110400SSBC.....	G-17	CT175600Q0.....	G-4, G-9
CCY10L12LT38G.....	E-65	CL50-1TN.....	A-23, E-38	CT110400SSBC0.....	G-17	CT175600Q0UG.....	G-19
CCY10L12T12G.....	E-65	CL50-1TNBULK.....	E-38	CT110400SSBL.....	G-17	CT175600QUG.....	G-19
CCY10L14LT14GY.....	E-65	CM2829P.....	K-35	CT110400SSBL0.....	G-17	CT175800Q0.....	G-9

ALPHA-NUMERIC INDEX BY CATALOG NUMBER (Continued)

Catalog Number	Page #	Catalog Number	Page #	Catalog Number	Page #	Catalog Number	Page #
CT175900Q.....	G-9	CT30125MH8C.....	G-12	CT50175RC.....	G-11	CTB075SFIM.....	G-14
CT175900Q00.....	G-4, G-9	CT30125MH8M.....	G-12	CT50175RC0.....	G-11	CTB100AAF2C.....	G-14
CT175900Q0UG.....	G-19	CT30125MH8M0.....	G-12	CT50175SSBC.....	G-16	CTB100AAF2C0.....	G-14
CT18025M0UG.....	G-18	CT30125MUG.....	G-18	CT50175SSBC0.....	G-16	CTB100AAF2L.....	G-14
CT18025MUG.....	G-18	CT40137SSBC.....	G-16	CT50175SSBD.....	G-16	CTB100RAF2C.....	G-14
CT18075C.....	G-4, G-6	CT40137SSBC0.....	G-16	CT50175SSBD0.....	G-16	CTB100RAF2C0.....	G-14
CT18075C0.....	G-4, G-6	CT40137SSBM.....	G-16	CT50200SSBB.....	G-16	CTB100RAF2D.....	G-14
CT18075C00.....	G-4, G-6	CT40137SSBM0.....	G-16	CT50200SSBB0.....	G-16	CTB100RAF2L.....	G-14
CT18075C0UG.....	G-18	CT40200C.....	G-7	CT50200SSBC.....	G-16	CTB100SF2C.....	G-14
CT18075CUG.....	G-18	CT40200C0.....	G-7	CT50200SSBC0.....	G-16	CTB125RA4CUG.....	G-21
CT18075FLC.....	G-10	CT40200C00.....	G-7	CT50250IDC.....	G-10	CTB125RA4DUG.....	G-21
CT18075IDC.....	G-10	CT40200CUG.....	G-18	CT50250SSBB.....	G-16	CTB150AAF3C.....	G-14
CT18075M.....	G-4, G-6	CT40200M.....	G-7	CT50250SSBB0.....	G-16	CTB150AAF3D.....	G-14
CT18075M0.....	G-4, G-6	CT40200M0.....	G-7	CT50250SSBC.....	G-16	CTB150RA4C.....	G-14
CT18075M00.....	G-4, G-6	CT40200M00.....	G-7	CT50250SSBC0.....	G-16	CTB150RAF3C0.....	G-14
CT18075MH4C.....	G-12	CT40200MUG.....	G-18	CT50300C.....	G-4, G-8	CTB150RAF3D.....	G-14
CT18075MH4M.....	G-12	CT40200SSBC.....	G-16	CT50300C0.....	G-4, G-8	CTB150SF3C.....	G-14
CT18087SSBC.....	G-16	CT40200SSBC0.....	G-16	CT50300C00.....	G-4, G-8	CTHS120400M.....	G-13
CT18087SSBC0.....	G-16	CT40200SSBD.....	G-16	CT50300C0UG.....	G-18	CTHS18075M.....	G-13
CT18087SSBM.....	G-16	CT40200SSBD0.....	G-16	CT50300C2.....	G-4, G-8	CTHS40125M.....	G-13
CT18087SSBM0.....	G-16	CT40300C.....	G-7	CT50300CUG.....	G-18	CTHS50300M.....	G-13
CT18100SSBC.....	G-16	CT40300C0.....	G-7	CT50300M.....	G-4, G-8	CTHS50400M.....	G-13
CT18100SSBC0.....	G-16	CT40300C00.....	G-7	CT50300M0.....	G-4, G-8	CTHS50700M.....	G-13
CT18100SSBM.....	G-16	CT40300M.....	G-7	CT50300M00.....	G-4, G-8	CTSS100100FC304C.....	G-26
CT18100SSBM0.....	G-16	CT40300M0.....	G-7	CT50300M0UG.....	G-18	CTSS100100FC316C.....	G-29
CT18125C.....	G-6	CT40300M00.....	G-7	CT50300MH10C0UG.....	G-20	CTSS100200FC304C.....	G-26
CT18125C0.....	G-6	CT40300SSBC.....	G-16	CT50300MH10CUG.....	G-20	CTSS100200FC316C.....	G-29
CT18125C3.....	G-6	CT40300SSBC0.....	G-16	CT50300MUG.....	G-18	CTSS100300FC304C.....	G-26
CT18125C4.....	G-6	CT40300SSBD.....	G-16	CT50300SSBB.....	G-16	CTSS100300FC316C.....	G-29
CT18125M.....	G-6	CT40300SSBD0.....	G-16	CT50300SSBB0.....	G-16	CTSS100400FC304C.....	G-26
CT18125M0.....	G-6	CT40400C.....	G-7	CT50300SSBC.....	G-16	CTSS100400FC316C.....	G-29
CT18200C.....	G-6	CT40400C0.....	G-7	CT50300SSBC0.....	G-16	CTSS100500FC304C.....	G-26
CT18200C0.....	G-6	CT40400C00.....	G-7	CT50400C.....	G-4, G-8	CTSS100500FC316C.....	G-29
CT18200C0UG.....	G-18	CT40400C0UG.....	G-18	CT50400C0.....	G-4, G-8	CTSS100600FC304C.....	G-26
CT18200C1.....	G-6	CT40400M.....	G-7	CT50400C00.....	G-4, G-8	CTSS100600FC316C.....	G-29
CT18200C2.....	G-6	CT40400M0.....	G-7	CT50400C0UG.....	G-18	CTSS100800FC304C.....	G-26
CT18200C5.....	G-6	CT40400M00.....	G-7	CT50400C2.....	G-4, G-8	CTSS100800FC316C.....	G-29
CT18200C6.....	G-6	CT40400SSBC.....	G-16	CT50400C3.....	G-4, G-8	CTSS225100304C.....	G-24
CT18200IDC.....	G-10	CT40400SSBC0.....	G-16	CT50400CUG.....	G-18	CTSS225100316C.....	G-27
CT18200M.....	G-6	CT40400SSBD.....	G-16	CT50400M.....	G-4, G-8	CTSS225200304C.....	G-24
CT18200M0.....	G-6	CT40400SSBD0.....	G-16	CT50400M0.....	G-4, G-8	CTSS225200316C.....	G-27
CT18200M0UG.....	G-18	CT50137RC.....	G-11	CT50400M00.....	G-4, G-8	CTSS225300304C.....	G-24
CT18200MUG.....	G-18	CT50175C.....	G-4, G-7	CT50400M02.....	G-4, G-8	CTSS225300316C.....	G-27
CT18200SSBC.....	G-16	CT50175C0.....	G-4, G-7	CT50400MH10C.....	G-12	CTSS225400304C.....	G-24
CT18200SSBC0.....	G-16	CT50175C00.....	G-4, G-7	CT50400MH10C0.....	G-12	CTSS225400316C.....	G-27
CT18200SSBM.....	G-16	CT50175C0UG.....	G-18	CT50400MH10M0.....	G-12	CTSS225500304C.....	G-24
CT18200SSBM0.....	G-16	CT50175C1.....	G-4, G-7	CT50400MUG.....	G-18	CTSS225500316C.....	G-27
CT2501000Q.....	G-9	CT50175C2.....	G-4, G-7	CT50400RC.....	G-11	CTSS225600304C.....	G-24
CT2501000RQ.....	G-11	CT50175C3.....	G-4, G-7	CT50400RC0.....	G-11	CTSS225600316C.....	G-27
CT250200RQ.....	G-11	CT50175C4.....	G-4, G-7	CT50400SSBB.....	G-17	CTSS250200FC304L.....	G-26
CT250200RQ0.....	G-11	CT50175C5.....	G-4, G-7	CT50400SSBB0.....	G-17	CTSS250200FC316L.....	G-29
CT250500RQ.....	G-11	CT50175C6.....	G-4, G-7	CT50400SSBC.....	G-17	CTSS250200PC304L.....	G-25
CT250500RQ0.....	G-11	CT50175C7.....	G-4, G-7	CT50400SSBC0.....	G-17	CTSS250200PC316L.....	G-28
CT250600Q.....	G-9	CT50175C8.....	G-4, G-7	CT50425SSBB.....	G-17	CTSS250300FC304L.....	G-26
CT250600Q0.....	G-9	CT50175CUG.....	G-18	CT50425SSBB0.....	G-17	CTSS250300FC316L.....	G-29
CT250600RQ.....	G-11	CT50175IDC.....	G-10	CT50425SSBC.....	G-17	CTSS250300PC304L.....	G-25
CT250600RQ0.....	G-11	CT50175M.....	G-4, G-7	CT50425SSBC0.....	G-17	CTSS250300PC316L.....	G-28
CT250800Q.....	G-9	CT50175M0.....	G-4, G-7	CTASST.....	G-22	CTSS250400FC304L.....	G-26
CT250800Q0.....	G-9	CT50175M00.....	G-4, G-7	CTASST500B.....	G-22	CTSS250400FC316L.....	G-29
CT250800Q0UG.....	G-19	CT50175M02.....	G-4, G-7	CTASST500N.....	G-22	CTSS250400PC304L.....	G-25
CT250800RQ.....	G-11	CT50175M0UG.....	G-18	CTASST650B.....	G-22	CTSS250400PC316L.....	G-28
CT250800RQ0.....	G-11	CT50175MH10C.....	G-12	CTASST650N.....	G-22	CTSS250500FC304L.....	G-26
CT30125C.....	G-4, G-6	CT50175MH10C0.....	G-12	CTB075AAFIC.....	G-14	CTSS250500FC316L.....	G-29
CT30125C0.....	G-4, G-6	CT50175MH10C0UG.....	G-20	CTB075AAFIC0.....	G-14	CTSS250500PC304L.....	G-25
CT30125C00.....	G-4, G-6	CT50175MH10CUG.....	G-20	CTB075AAFIM.....	G-14	CTSS250500PC316L.....	G-28
CT30125C0UG.....	G-18	CT50175MH10M.....	G-12	CTB075RAF4CUG.....	G-21	CTSS250600FC304L.....	G-26
CT30125CUG.....	G-18	CT50175MH10M0.....	G-12	CTB075RAFIC.....	G-14	CTSS250600FC316L.....	G-29
CT30125M.....	G-4, G-6	CT50175MUG.....	G-18	CTB075RAFIC0.....	G-14	CTSS250600PC304L.....	G-25
CT30125M0.....	G-4, G-6	CT50175PMC.....	G-10	CTB075RAFIM.....	G-14	CTSS250600PC316L.....	G-28
CT30125M00.....	G-4, G-6	CT50175PMCO.....	G-10	CTB075SF1C.....	G-14	CTSS250700FC304L.....	G-26

ALPHA-NUMERIC INDEX BY CATALOG NUMBER (Continued)

Catalog Number	Page #	Catalog Number	Page #	Catalog Number	Page #	Catalog Number	Page #
CTSS250700FC316L	G-29	CTSS675600PC316Q	G-28	DV6L	N-38	FD69C8	L-20
CTSS250700PC304L	G-25	CTSS675700FC304Q	G-26	DV8L1	N-38	FD69D12	L-20
CTSS250700PC316L	G-28	CTSS675700FC316Q	G-29	E2C34G1	A-10, H-41,	FD69D8	L-20
CTSS250800FC304L	G-26	CTSS675700PC304Q	G-25		L-22	FD70D12	L-20
CTSS250800FC316L	G-29	CTSS675700PC316Q	G-28	E3C34G1	A-10, H-41,	FD70D16	L-20
CTSS250800PC304L	G-25	CTSS675800FC304Q	G-26		L-22	FFGC2	E-36
CTSS250800PC316L	G-28	CTSS675800FC316Q	G-29	E4C34G1	A-10, H-41,	FFGC2/0	E-36
CTSS450200FC304L	G-26	CTSS675800PC304Q	G-25		L-22	FFGC4	E-36
CTSS450200FC316L	G-29	CTSS675800PC316Q	G-28	EA25	A-15	FFGC6	E-36
CTSS450200PC304L	G-25	CTSS700200304L	G-24	EA28	A-15	FFGC8	E-36
CTSS450200PC316L	G-28	CTSS700200316L	G-27	EA28-2N	A-15	FL1025X03B	B-74
CTSS450300FC304L	G-26	CTSS700300304L	G-24	EA2C	A-15	FL1025X03D	B-74
CTSS450300FC316L	G-29	CTSS700300316L	G-27	EA34	A-15	FL1425X03B	B-74
CTSS450300PC304L	G-25	CTSS700400304L	G-24	EA34-2N	A-15	FL1425X03D	B-74
CTSS450300PC316L	G-28	CTSS700400316L	G-27	EP10	N-95	FL1825X03B	B-74
CTSS450400FC304L	G-26	CTSS700500304L	G-24	EP101HP	N-95	FL1825X03D	B-74
CTSS450400FC316L	G-29	CTSS700500316L	G-27	EP101HP2	N-95	FLN1025X03D	B-74
CTSS450400PC304L	G-25	CTSS700600304L	G-24	EP102	N-95	FLN1425X03D	B-74
CTSS450400PC316L	G-28	CTSS700600316L	G-27	EP6	N-95	FLN1825X03D	B-74
CTSS450500FC304L	G-26	CTSS700700304L	G-24	EPAC10	N-96	FORCEGAUGE1215	N-20, N-104
CTSS450500FC316L	G-29	CTSS700700316L	G-27	EPAC6	N-96	FP10	N-97
CTSS450500PC304L	G-25	CTSS700800304L	G-24	EPP10	N-94	FP6	N-97
CTSS450500PC316L	G-28	CTSS700800316L	G-27	EPP16	N-94	FQN10M25X03B	B-67
CTSS450600FC304L	G-26	CTSS900200304L	G-24	EPPCASE1	N-94	FQN10M25X03D	B-67
CTSS450600FC316L	G-29	CTSS900200316L	G-27	EQC632C	E-35, H-42	FQN14M18X02D	B-67
CTSS450600PC304L	G-25	CTSS900300304L	G-24	ES25A25A	H-46	FQN14M25X03B	B-67
CTSS450600PC316L	G-28	CTSS900300316L	G-27	ES25A2W	H-46	FQN14M25X03D	B-67
CTSS450700FC304L	G-26	CTSS900400304L	G-24	ES25A4W	H-46	FQN18M18X02D	B-67
CTSS450700FC316L	G-29	CTSS900400316L	G-27	ES25R25R	H-46	FQN18M25X03B	B-67
CTSS450700PC304L	G-25	CTSS900500304L	G-24	ES25R2R	H-46	FQN18M25X03D	B-67
CTSS450700PC316L	G-28	CTSS900500316L	G-27	ES25R2W	H-46	FQP10F25X03D	B-64
CTSS450800FC304L	G-26	CTSS900600304L	G-24	ES25R4W	H-46	FQP14F11X03D	B-64
CTSS450800FC316L	G-29	CTSS900600316L	G-27	ES25R6W	H-46	FQP14F18X02D	B-64
CTSS450800PC304L	G-25	CTSS900700304L	G-24	ES2R2R	H-46	FQP14F25X03D	B-64
CTSS450800PC316L	G-28	CTSS900700316L	G-27	ES2R2W	H-46	FQP18F11X03D	B-64
CTSS500200304L	G-24	CTSS900800304L	G-24	ES2R4W	H-46	FQP18F18X02D	B-64
CTSS500200316C	G-27	CTSS900800316L	G-27	ES2R6W	H-46	FQP18F25X03D	B-64
CTSS500300304L	G-24	CTT50	G-31	ES2R8W	H-46	FT3B4/0	A-61
CTSS500300316C	G-27	CTTSS900	G-31	ES2W2W	H-46	FT3B500	A-61
CTSS500400304L	G-24	CUSA442NTC	C-142	ES2W4W	H-46	FT4B4/0	A-61
CTSS500400316L	G-27	CUSA442TC38	C-142	ES2W6W	H-46	FT4B500	A-61
CTSS500500304L	G-24	CUT200BLMVBL	N-77, N-86	ES2W8W	H-46	GA25H26	E-46
CTSS500500316L	G-27	CUT200BLSTA	N-77, N-86	ES4W4W	H-46	GA400H294CTN	E-46
CTSS500600304L	G-24	CUW26RE-1	H-73	ES4W6W	H-46	GAR1126	E-40
CTSS500600316L	G-27	CUW30A-E	H-73	ES4W8W	H-46	GAR1129	E-40
CTSS500700304L	G-24	CUW32R-E	H-73	ES6W6W	H-46	GAR114C	E-40
CTSS500700316L	G-27	CUW34-E	H-72	ES6W8W	H-46	GAR1426	E-40
CTSS500750304L	G-24	CUW361R-E	H-73	ES8W8W	H-46	GAR1429	E-40
CTSS500750316L	G-27	CUW391A-E	H-73	F22A28	K-77	GAR1434	E-40
CTSS500800304L	G-24	CUW44-E	H-72	FCB63-2NP300	A-11, L-22	GAR144C	E-40
CTSS500800316L	G-27	CZ-11	E-51	FCB63-4N	A-11, L-22	GAR1526	E-40
CTSS675200FC304Q	G-26	DEV1L	N-38	FCB63-6N	A-11, L-22	GAR1529	E-40
CTSS675200FC316Q	G-29	DEV25L	N-38	FCB64-44NP50	A-11, L-22	GAR1534	E-40
CTSS675200PC304Q	G-25	DEV26L	N-38	FCB64-4N	A-11, L-22	GAR154C	E-40
CTSS675200PC316Q	G-28	DEV2L	N-38	FCB64-6N	A-11, L-22	GAR1626	E-40
CTSS675300FC304Q	G-26	DEV4L	N-38	FCB65-4N	A-11, L-22	GAR1629	E-40
CTSS675300FC316Q	G-29	DEV6L	N-38	FD64C5T16	L-20	GAR1634	E-40
CTSS675300PC304Q	G-25	DEV8L	N-38	FD655C6	L-20	GAR164C	E-40
CTSS675300PC316Q	G-28	DUW28	H-72	FD655D6	L-20	GAR1726	E-41
CTSS675400FC304Q	G-26	DUW28A	H-73	FD65C6T14	L-20	GAR1729	E-41
CTSS675400FC316Q	G-29	DUW31	H-72	FD66C6	L-20	GAR1734	E-41
CTSS675400PC304Q	G-25	DUW34	H-72	FD66D6	L-20	GAR174C	E-41
CTSS675400PC316Q	G-28	DUW44	H-72	FD675C8	L-20	GAR1826	E-41
CTSS675500FC304Q	G-26	DUW44A	H-73	FD675D8	L-20	GAR1829	E-41
CTSS675500FC316Q	G-29	DUW44A-E	H-73	FD685C8	L-20	GAR1834	E-41
CTSS675500PC304Q	G-25	DV1L	N-38	FD685D12	L-20	GAR184C	E-41
CTSS675500PC316Q	G-28	DV25L	N-38	FD685D8	L-20	GAR1926	E-41
CTSS675600FC304Q	G-26	DV26L	N-38	FD68C8	L-20	GAR1929	E-41
CTSS675600FC316Q	G-29	DV2L	N-38	FD68D12	L-20	GAR1934	E-41
CTSS675600PC304Q	G-25	DV4L	N-38	FD68D8	L-20	GAR194C	E-41

ALPHA-NUMERIC INDEX BY CATALOG NUMBER (Continued)

Catalog Number	Page #	Catalog Number	Page #	Catalog Number	Page #	Catalog Number	Page #
GAR2026	E-41	GCM34	E-67	GK1826	E-47	GX3429	E-57
GAR2029	E-41	GCM4C	E-67	GK1829	E-47	GX3434	E-57
GAR2034	E-41	GD1526	E-44	GK1926	E-47	GX344C	E-57
GAR204C	E-41	GD1529	E-44	GK1929	E-47	GX4C4C	E-57
GAR2126	E-41	GD1626	E-44	GK6426	E-47	GXP1828RF	E-75
GAR2129	E-41	GD1629	E-44	GK6429	E-47	GZ26-12	E-68
GAR2134	E-41	GD1726	E-44	GK6434	E-47	GZ26-38	E-68
GAR214C	E-41	GD1729	E-44	GK644C	E-47	GZ26-58	E-68
GAR2226	E-41	GD1734	E-44	GKA25	E-37	GZ29-12	E-68
GAR2229	E-41	GD174C	E-44	GKA25SB	E-37	GZ29-38	E-68
GAR2234	E-41	GD1826	E-44	GKA28	E-37	GZ29-58	E-68
GAR224C	E-41	GD1829	E-44	GKA28SB	E-37	GZ4C-12	E-68
GAR2426	E-41	GD1834	E-44	GKA4C	E-37	GZ4C-38	E-68
GAR2429	E-41	GD184C	E-44	GKA8C	E-37	GZ4C-58	E-68
GAR2434	E-41	GD1926	E-44	GL2626	E-68	HBR40	N-114
GAR244C	E-41	GD1929	E-44	GL2929	E-68	HBR66	N-114
GAR3902	E-42	GD1934	E-44	GL3434	E-68	HFB22P1	A-21, L-24
GAR3902-BU	E-42	GD194C	E-44	GL4C4C	E-68	HFB33-4N	A-22, L-24
GAR3902TC	E-43	GD2026	E-44	GP10	N-98	HFB33P1	A-21, L-24
GAR3903	E-42	GD2029	E-44	GP1126	E-45	HFB42P1	A-21, L-24
GAR3903-BU	E-42	GD2034	E-44	GP1129	E-45	HFB44-4N	A-22, L-24
GAR3903TC	E-43	GD204C	E-44	GP114C	E-45	HFB44G30W	L-23
GAR3904	E-42	GD2126	E-44	GP1426	E-45	HFB44G31W	L-23
GAR3904-BU	E-42	GD2129	E-44	GP1429	E-45	HFB44G32W	L-23
GAR3904TC	E-43	GD2134	E-44	GP1434	E-45	HFB44P1	A-21, L-24
GAR3905	E-42	GD214C	E-44	GP144C	E-45	HFB52P1	L-24
GAR3905-BU	E-42	GD2226	E-44	GP1526G1	E-77	HFB53P1	L-24
GAR3905TC	E-43	GD2229	E-44	GP1629	E-45	HFB54P1	L-24
GAR3906	E-42	GD2234	E-44	GP164C	E-45	HFB55P1	L-24
GAR3906-BU	E-42	GD224C	E-44	GP1726	E-45	HFB62P1	L-24
GAR3906TC	E-43	GG15-1	E-58	GP1726G1	E-77	HFB63P1	A-21, L-24
GAR3907	E-42	GG16-1	E-58	GP1726RT	E-77	HFB64P1	L-24
GAR3907-BU	E-42	GG17-1	E-58	GP1826	E-45	HFB66-6N	A-22, L-24
GAR3907TC	E-43	GG17-15	E-58	GP184C	E-45	HFB66P1	A-21
GAR3908	E-42	GG18-1	E-58	GP2026	E-45	HFB88P1	A-21
GAR3908-BU	E-42	GG18-15	E-58	GP2226	E-45	HHSO/CB13	N-117
GAR3908TC	E-43	GG18-2	E-58	GP6426	E-45	HHSO/CB16	N-117
GAR3909	E-42	GG19-2	E-58	GP6429	E-45	HHSO/CB20	N-117
GAR3909-BU	E-42	GG19-25	E-58	GP6434	E-45	HIW12S0CSET	N-120
GAR3909TC	E-43	GG20-2	E-58	GP644C	E-45	HIW71612TGKIT	N-120
GAR6426	E-40	GG20-25	E-58	GP64526G1	E-77	HIW716ENFKIT1	N-111
GAR6429	E-40	GG20-3	E-58	GP64528G1	E-77	HIW716ENFKIT2	N-111
GAR6434	E-40	GG21-2	E-58	GP654CG1	E-77	HIW716ENFKIT3	N-111
GAR644C	E-40	GG21-25	E-58	GQ26-1	E-57	HIW716ENFTG	N-111
GAR644C-RB	E-42	GG21-3	E-58	GQ2626	E-57	HIW716ENFTGKIT	N-111
GAR8629	E-41	GG21-35	E-58	GQ29-1	E-57	HIW716ENFTGKIT1	N-111
GAR8634	E-41	GG22-2	E-58	GQ2929	E-57	HIW716MAGKIT1	N-112
GB26	E-67	GG22-25	E-58	GRC12	E-56	HIW716MAGKIT2	N-112
GB29	E-67	GG22-3	E-58	GRC34	E-56	HIW716MAGKIT3	N-112
GB34	E-67	GG22-4	E-58	GRC58	E-56	HIW716MAGKIT4	N-112
GB4C	E-67	GG24-2	E-58	GRF4C-3	E-76	HIW716MAGKIT5	N-112
GBL30N	E-67	GIE2CG3	E-70	GRF4C-4	E-76	HOSE2	N-115
GBM26	E-67	GIE4CG3	E-70	GRIDMAX®	E-110	HOSE325	N-115
GBM29	E-67	GIE4CG3P5	E-70	GRL3	E-56	HOSE350	N-115
GBM34	E-67	GIE4CG3P7	E-70	GRL4	E-56	HP10	N-97
GBM4C	E-67	GIE4CG4	E-70	GRL5	E-56	HP2CAMLOCKHOSESET	N-115
GC15A	E-55	GIE4CG4P5	E-70	GRL6	E-56	HP2HV	N-115
GC18A	E-55	GIE4CG4P7	E-70	GROUNDMAX™	E-108	HP6	N-97
GC22A	E-55	GK1126	E-47	GROUNDTAB1/2	E-23	HPP18	N-119
GC2525CT	E-69	GK1129	E-47	GROUNDTAB3/8	E-23	HPP182	N-119
GC2626	E-67	GK114C	E-47	GSTUD14HY	E-29	HPP5	N-119
GC2626CT	E-69	GK1426	E-47	GSTUD34HY	E-29	HPS1371LW	N-118
GC2929	E-67	GK1429	E-47	GSTUD38HY	E-29	HPS1383LW	N-118
GC2929CT	E-69	GK1434	E-47	GSTUD916HY	E-29	HPT59R1	N-116
GC3434	E-67	GK1526	E-47	GX2626	E-57	HPT60R1	N-116
GC4C4C	E-67	GK1529	E-47	GX264C	E-57	HPT71R1	N-116
GCB63T13G1	E-71	GK1626	E-47	GX2926	E-57	HPT72R1	N-116
GCL30	E-67	GK1629	E-47	GX2929	E-57	HPT83R1	N-116
GCM26	E-67	GK1726	E-47	GX294C	E-57	HPT84R1	N-116
GCM29	E-67	GK1729	E-47	GX3426	E-57	HPT96R1	N-116

ALPHA-NUMERIC INDEX BY CATALOG NUMBER (Continued)

Catalog Number	Page #	Catalog Number	Page #	Catalog Number	Page #	Catalog Number	Page #
HS_100FR.....	F-12	HSC200FR.....	F-11	K14P6C5P1/OCAG1.....	A-55	K8P4CG1.....	A-56
HS_100FR100.....	F-12	HSC200FR100.....	F-11	K15P4CAG1.....	A-55	K9P4CAG1.....	A-55
HS_100T300PF.....	F-9	HSC34FR.....	F-11	K16P6C5P1/OCAG1.....	A-55	KA25.....	A-15
HS_100T48PF.....	F-8	HSC34FR250.....	F-11	K174P4CG1.....	A-56	KA25-2TC38.....	A-15
HS_112FR.....	F-12	HSC38FR.....	F-11	K21A36U-2.....	A-30	KA25U.....	A-26
HS_112FR100.....	F-12	HSC38FR250.....	F-11	K22A36U-2.....	A-30	KA25UAR.....	A-27
HS_116T300PF.....	F-9	HSIC10-500FR.....	F-13	K22A39U-2.....	A-30	KA26U.....	A-26
HS_116T48PF.....	F-8	HSIC200FR.....	F-13	K2A25U.....	A-28	KA26UAR.....	A-27
HS_12FR.....	F-12	HSIC30-1000FR.....	F-13	K2A26U.....	A-28	KA28.....	A-15
HS_12FR250.....	F-12	HSIC350FR.....	F-13	K2A29U.....	A-28	KA29U.....	A-26
HS_12T300PF.....	F-9	HSIC4-40FR.....	F-13	K2A31U.....	A-28	KA2U.....	A-26
HS_12T48PF.....	F-8	HSIC8-1FR.....	F-13	K2A31U-2N.....	A-28	KA30226U.....	A-26
HS_14FR.....	F-12	HSKIT.....	B-93	K2A36U.....	A-28	KA30U.....	A-26
HS_14FR250.....	F-12	HSM100T6PF7.....	F-7	K2A36U-2N.....	A-28	KA30UAR.....	A-27
HS_14T300PF.....	F-9	HSM116T6PF26.....	F-7	K2A40U.....	A-28	KA31U.....	A-26
HS_14T48PF.....	F-8	HSM12T6PF10.....	F-7	K2A40U-2N.....	A-28	KA31UAR.....	A-27
HS_150T48PF.....	F-8	HSM14T6PF14.....	F-7	K2A44U.....	A-28	KA34.....	A-15
HS_18FR.....	F-12	HSM18T6PF20.....	F-7	K2A44U-2N.....	A-28	KA34U.....	A-26
HS_18FR250.....	F-12	HSM316T6PF18.....	F-7	K2C15.....	E-32	KA36229U.....	A-26
HS_18T300PF.....	F-9	HSM332T6PF24.....	F-7	K2C15B1.....	E-32	KA36U.....	A-26
HS_18T48PF.....	F-8	HSM34T6PF8.....	F-7	K2C17.....	E-32	KA36U-2N.....	A-26
HS_200FR.....	F-12	HSM38T6PF12.....	F-7	K2C17B1.....	E-32	KA36UAR.....	A-27
HS_200FR100.....	F-12	HTP3.....	N-115	K2C20.....	E-32	KA39230U.....	A-26
HS_200T48PF.....	F-8	HYA_28.....	K-63	K2C20B1.....	E-32	KA40U.....	A-26
HS_316T300PF.....	F-9	HYA_29.....	K-63	K2C22.....	E-32	KA40U-2N.....	A-26
HS_316T48PF.....	F-8	HYA_31.....	K-63	K2C22B1.....	E-32	KA44U.....	A-26
HS_332T300PF.....	F-9	HYA_34.....	K-63	K2C23.....	E-32	KA44U-2N.....	A-26
HS_332T48PF.....	F-8	HYA_39.....	K-63	K2C23B1.....	E-32	KA4C.....	A-15
HS_34FR.....	F-12	HYAO_28.....	K-63	K2C25.....	E-32	KA4UAR.....	A-27
HS_34FR250.....	F-12	HYAO_29.....	K-63	K2C25B1.....	E-32	KA6U.....	A-26
HS_34T300PF.....	F-9	HYAO_31.....	K-63	K2C26.....	E-32	KA8C.....	A-15
HS_34T48PF.....	F-8	HYAO_34.....	K-63	K2C26B1.....	E-32	KAG1MTGBRKT.....	A-55
HS_38FR.....	F-12	HYAO_39.....	K-63	K2C28.....	E-32	KAU-KIT1.....	A-32
HS_38FR250.....	F-12	HYFLUIDGAL.....	N-103	K2C28B1.....	E-32	KAU-KIT2.....	A-32
HS_38T300PF.....	F-9	HYFLUIDQT.....	N-103	K2C28G3.....	E-32	KAU-KIT3.....	A-32
HS_38T48PF.....	F-8	HYM_28.....	K-63	K2C31.....	E-32	KAU-KIT4.....	A-32
HSB100T6PF7.....	F-7	HYM_29.....	K-63	K2C31B1.....	E-32	KC15.....	E-32
HSB110H48PF5.....	F-10	HYM_31.....	K-63	K2C34.....	E-32	KC15B1.....	E-32
HSB110H6PF5.....	F-10	HYM_34.....	K-63	K2C34B1.....	E-32	KC17.....	E-32
HSB110H9PF5.....	F-10	HYM_39.....	K-63	K2P4CAG1.....	A-55	KC17B1.....	E-32
HSB116T6PF26.....	F-7	HYS_28.....	K-63	K33B34-4N.....	K-76	KC20.....	E-32
HSB12T6PF10.....	F-7	HYS_29.....	K-63	K3A25U-2.....	A-29	KC20B1.....	E-32
HSB14T6PF14.....	F-7	HYS_31.....	K-63	K3A25U-4.....	A-29	KC22.....	E-32
HSB150H12PF3.....	F-10	HYS_34.....	K-63	K3A26U-2N.....	A-29	KC22B1.....	E-32
HSB150H48PF5.....	F-10	HYS_39.....	K-63	K3A27U-2N.....	A-29	KC22J12T13.....	E-35, H-42
HSB150H9PF3.....	F-10	IMPLOOTOLKIT.....	I-61	K3A27U-4N.....	A-29	KC23.....	E-32
HSB18T6PF20.....	F-7	J1022NC1.....	N-44, N-62	K3A29U-2N.....	A-29	KC23B1.....	E-32
HSB200H12PF2.....	F-10	J1022NC2.....	N-44, N-62	K3A29U-4N.....	A-29	KC25.....	E-32
HSB200H48PF2.....	F-10	J1022NC3.....	N-44, N-62	K3A2U-2.....	A-29	KC25B1.....	E-32
HSB200H9PF2.....	F-10	J1022NC4.....	N-44, N-62	K3A2U-4.....	A-29	KC26.....	E-32, E-35,
HSB316T6PF18.....	F-7	J1022NC5.....	N-44, N-62	K3A31U-2N.....	A-29		H-42
HSB332T6PF24.....	F-7	J1207.....	K-69	K3A31U-4N.....	A-29	KC26B1.....	E-32
HSB34H48PF5.....	F-10	J1592.....	K-69	K3A36U-2N.....	A-29	KC28.....	E-32
HSB34H6PF10.....	F-10	J278.....	E-73	K3A36U-4N.....	A-29	KC28B1.....	E-32
HSB34H9PF10.....	F-10	J279.....	E-73	K3A40U-4N.....	A-29	KC31.....	E-32
HSB34T6PF8.....	F-7	J280.....	E-73	K3P4CAG1.....	A-55	KC31B1.....	E-32
HSB35H3PF25.....	F-10	J295.....	E-73	K4A29U-4N.....	A-30	KC34.....	E-32
HSB35H48PF5.....	F-10	J4CNC.....	N-62	K4A31U-4N.....	A-30	KC34B1.....	E-32
HSB35H6PF25.....	F-10	J6CNC.....	N-62	K5P6C2P1/OCAG1.....	A-55	KC34J12T13.....	E-35, H-42
HSB38T6PF12.....	F-7	J6NCP1CH.....	N-62	K6A34U-6N.....	K-77	KCKF23.....	E-34
HSC100FR.....	F-11	J8CNC.....	N-62	K6A34U-8.....	A-31	KCKF25.....	E-34
HSC100FR100.....	F-11	K10P4CG1.....	A-56	K6B2826-2N.....	K-76	KCKF28.....	E-34
HSC112FR.....	F-11	K11A30U.....	A-30	K6B28-4N.....	K-76	KK3A36U-2N.....	A-29
HSC112FR100.....	F-11	K11A34U-2.....	A-30	K6P28.....	K-75	KK3A36U-4N.....	A-29
HSC12FR.....	F-11	K11A36U-2.....	A-30	K6P28C.....	K-75	KK3A40U-2N.....	A-29
HSC12FR250.....	F-11	K11A39U-2.....	A-30	K6P34U.....	K-77	KK3A40U-4N.....	A-29
HSC14FR.....	F-11	K12P4CG1.....	A-56	K6P34UC.....	K-77	KK3A44U-2N.....	A-29
HSC14FR250.....	F-11	K12P6C3P1/OCAG1.....	A-55	K6P4CG1.....	A-56	KK3A44U-4N.....	A-29
HSC18FR.....	F-11	K13P4CAG1.....	A-55	K6PC34U.....	K-77	KK4A36U-4N.....	A-30
HSC18FR250.....	F-11	K14P4CG1.....	A-56	K8A34U-10.....	A-31	KK4A40U-4N.....	A-30

ALPHA-NUMERIC INDEX BY CATALOG NUMBER (Continued)

Catalog Number	Page #	Catalog Number	Page #	Catalog Number	Page #	Catalog Number	Page #
KK6A31U-8	A-31	KSA270	A-5	LF1014	K-54 - K-56	LYBASEH	K-57
KK6A34U-8	A-31	KSA350	A-5	LF1025	K-54 - K-56	LYM1CC	K-55
KK6A44U-12	A-31	KSA4	A-5	LF2019	K-54 - K-56	LYM25C	K-55
KK8A31U-10	A-31	KSA470	A-5	LF2027	K-54 - K-56	LYM26C	K-55
KK8A34U-10	A-31	KSA500	A-5	LF2038	K-54 - K-56	LYM27C	K-55
KK8A39U-12	A-31	KSA6	A-5	LF2065	K-54 - K-56	LYM28C	K-55
KK8A44U-14	A-31	KSU17	A-4, H-5	LF2108	K-56	LYM29C	K-55
KKKA31U-2N	A-26	KSU20	A-4, H-5	LH283	L-18	LYM2CC	K-55
KLU125	A-14	KSU22	A-4, H-5	LH343	L-18	LYM30C	K-55
KLU125TP	A-14	KSU23	A-4, H-5	LH453	L-18	LYM31C	K-55
KLU175	A-14	KSU25	A-4, H-5	LHR293	L-18	LYM32C	K-55
KLU175TP	A-14	KSU26	A-4, H-5	LHR443	L-18	LYM34C	K-55
KLU225	A-14	KSU27	A-4, H-5	LHR445	L-18	LYM34P3	K-59
KLU225TP	A-14	KSU29	A-4, H-5	LPC12S	N-120	LYS1CC	K-54
KLU25	A-14	KSU31	A-4, H-5	LPC38S	N-120	LYS1CP5	K-58
KLU25TP	A-14	KSU34	A-4, H-5	LPHT3CHISEL11418	N-120	LYS25C	K-54
KLU300	A-14	KVS26	A-6, H-6	LPHTADPMM71612	N-112, N-120	LYS25P5	K-58
KLU300TP	A-14	KVS26A	A-7, H-8	LPHTADPMMOP66	N-111, N-112, N-120	LYS26C	K-54
KLU35	A-14	KVS28	A-6, H-6			LYS26P5	K-58
KLU35TP	A-14	KVS28A	A-7, H-8	LPHTADPSMFOP66	N-112, N-113	LYS27C	K-54
KLU400	A-14	KVS31	A-6, H-6	LPHTASPALTCUT118	N-120	LYS27P5	K-58
KLU400TP	A-14	KVS31A	A-7, H-8	LPHTBIT111618D	N-110	LYS28C	K-54
KLU70	A-14	KVS34	A-6, H-6	LPHTBIT111624D	N-110	LYS28P5	K-58
KLU70TP	A-14	KVS34A	A-7, H-8	LPHTBIT131618D	N-110	LYS29C	K-54
KPA25	A-13	KVS40	A-6, H-6	LPHTBIT131624D	N-110	LYS29P5	K-58
KPA28	A-13	KVS40A	A-7, H-8	LPHTBIT151618D	N-110	LYS2CC	K-54
KPA34	A-13	KVS44	A-6, H-6	LPHTBIT151624D	N-110	LYS2CP5	K-58
KPA4C	A-13	KVS44A	A-7, H-8	LPHTBIT3418D	N-110	LYS30C	K-54
KPA4CUP	A-13	KVSU26	A-6, H-7	LPHTBIT5818D	N-110	LYS30P5	K-58
KPA8C	A-13	KVSU28	A-6, H-7	LPHTBIT91618D	N-110	LYS31C	K-54
KPA8CUP	A-13	KVSU31	A-6, H-7	LPHTCLAYSPADE118	N-120	LYS31P5	K-58
KPB4CG1	E-37	KVSU34	A-6, H-7	LPHTDRIPBODY66	N-120	LYS32C	K-54
K-PC28	K-75	KVSU40	A-6, H-7	LPHTDRIPBODY88	N-120	LYS32P5	K-58
KPU29A26AC	A-24	KVSU44	A-6, H-7	LPHTDRIPNOSE66	N-120	LYS32P6	K-59
KPU29A29AC	A-24	KVSW26	A-6, H-6	LPHTDRIPNOSE88	N-120	LYS34C	K-54
KPU34A26AC	A-24	KVSW28	A-6, H-6	LPHTGRDVR11458	N-120	LYS34P2	K-57
KPU34A34AC	A-24	KVSW31	A-6, H-6	LPHTHOSNCR666610	N-111 - N-113, N-120	LYS34P5	K-58
KPU39A26AC	A-24	KVSW34	A-7, H-6			LYS48P6	K-59
KPU39A39AC	A-24	KVSW40	A-7, H-6	LPHTHOSNCR666610OP	N-113, N-120	LYS4CC	K-54
KS15	A-3, E-35, H-4	KVSW44	A-7, H-6	LPHTHOSNCR66668	N-111 - N-113, N-120	LYS4CP5	K-58
		KWADP	N-56	LPHTHOSNCR66668OP	N-113	LYS64P6	K-59
KS17	A-3, E-35, H-4	LB13A	L-34	LPHTHOSNCR66668OP	N-120	LYS6CP5	K-58
		LB14A	L-34	LPHTHTMABODY66	N-111 - N-113	LYS80P6	K-59
KS17-3	A-3, E-35, H-4	LB15A	L-34	LPHTHTMADUSTCAPF	N-120	M20	H-71
		LB16A	L-34	LPHTHTMADUSTCAPM	N-120	M30	H-71
KS20	A-3, E-35, H-4	LB17A	L-34	LPHTHTMANOSE66	N-111 - N-113	M40	H-71
		LB18A	L-34	LPHTMOILPT118	N-120	M50	H-71
KS20-3	A-3, H-4	LB19A	L-34	LPHTNARCHISEL11814	N-120	M60	H-71
KS22	A-3, E-35, H-4	LB20A	L-34	LPHTSOC121	N-120	M70	H-71
		LB21A	L-34	LPHTSOC121116	N-120	M80	H-71
KS22-3	A-3, H-4	LB22A	L-34	LPHTSOC12112	N-120	M8ND	N-51
KS23	A-3, E-35, H-4	LB23A	L-34	LPHTSOC12114	N-120	M90	H-71
		LB24A	L-34	LPHTSOC12118	N-120	MAGHOLSTER	N-112
KS25	A-3, E-35, H-4	LB53A	L-34	LPHTSOC1212	N-120	MCC1000	N-89
		LB54A	L-34	LPHTSOC12136	N-120	MCC1000BLADESET	N-89
KS26	A-3, E-35, H-4	LB55A	L-34	LPHTSOC12138	N-120	MCC600	N-89
		LB56A	L-34	LPHTSOC121716	N-120	MCC600BLADESET	N-89
KS27	A-3, E-35, H-4	LB57A	L-34	LPHTSOC1234	N-120	MD6	N-56
		LB58A	L-34	LPHTSOC1258	N-120	MD612	N-56
KS29	A-3, E-35, H-4	LB59A	L-34	LPHTSOC1278	N-120	MD614	N-56
		LB83A	L-34	LPHTSOC12916	N-120	MD637	N-56
KS31	A-3, E-35, H-4	LB86A	L-34	LPHY750CXT	N-113	MD638	N-56
		LB88A	L-34	LPHY750K	N-113	MD64	N-56
KS34	A-3, E-35, H-4	LB90A	L-34	LPHY750XT	N-113	MD66	N-56
		LB91A	L-34	LPWHPKITD	N-116	MD68	N-56
KS39	A-3, H-4	LB92A	L-34	LSC10	H-20	MD6CP1	N-102
KS44	A-3, H-4	LB94A	L-34	LSC10-1	H-20	MD6K	N-56
KS90	A-3, H-4	LB96A	L-34	LSC556	H-20	MD7	N-57
KSA1/0	A-5	LF1006	K-54, K-56	LSC556-1	H-20	MD734	N-58
KSA2	A-5	LF1010	K-54, K-56			MD734KIT1	N-58

ALPHA-NUMERIC INDEX BY CATALOG NUMBER (Continued)

Catalog Number	Page #	Catalog Number	Page #	Catalog Number	Page #	Catalog Number	Page #
MD734R.....	N-58	NA214N.....	L-5	NDR6328T13.....	L-19	NNTR42A32A.....	L-26
MD734RC.....	N-58	NA224N.....	L-5	NDR6334T13.....	L-19	NNTR42A36A.....	L-26
MD734RKIT1.....	N-58	NA22A-4N.....	L-28	NDR6428T16.....	L-19	NNTR42A42A.....	L-26
MD76.....	N-57	NAH29-2N.....	L-6	NDR6434T12.....	L-19	NNTR45A45A.....	L-26
MD78.....	N-57	NAH29-34N.....	L-6	NDR6434T16.....	L-19	NNTR46A42A.....	L-26
MK9.....	G-31	NAH34-2N.....	L-6	NDR6444T16.....	L-19	NNTR46A46A.....	L-26
MMY293CF.....	N-53	NAH34-34N.....	L-6	NDR64534T14.....	L-19	NNTR48A48A.....	L-26
MR15.....	N-46	NAH40-2N.....	L-6	NDR6528T14.....	L-19	NS1212.....	L-15
MR15DIESETD1.....	N-46	NAH40-34N.....	L-6	NDR6534T12.....	L-19	NS1313.....	L-15
MR18.....	N-46	NAH404-4N.....	L-6	NDR6534T14.....	L-19	NS14148HC.....	L-15
MR18DIESETD1.....	N-46	NAH44-2N.....	L-6	NDR6544T14.....	L-19	NS1414HC.....	L-15
MR20.....	N-46	NAH44-34N.....	L-6	NDR65528T12.....	L-19	NS14A14A.....	L-28
MR20DIESETD1.....	N-46	NAH44-44N.....	L-6	NDR65534T12.....	L-19	NS1515.....	L-15
MR4C.....	N-47	NAH46-2N.....	L-6	NDR65544T12.....	L-19	NS1515HC.....	L-15
MR81A.....	N-43	NAH46-34N.....	L-6	NDR6748T12.....	L-19	NS1515HC HQ.....	L-15
MR833S1.....	N-43	NAH46-44N.....	L-6	NDR67544T12.....	L-19	NS15A15A.....	L-28
MR833T1.....	N-43	NAH48-2N.....	L-6	NDR67548T12.....	L-19	NS1616HC.....	L-15
MR89Q.....	N-43	NAH48-34N.....	L-6	NDR6844T12.....	L-19	NS16A16A.....	L-28
MR8G96.....	N-43	NAH48-44N.....	L-6	NDR6848T12.....	L-19	NS1717.....	L-15
MR8G98.....	N-43	NAH48-62N.....	L-6	NDR68544T12.....	L-19	NS1717HC.....	L-15
MRC840.....	N-52	NAH486-34N.....	L-6	NHNT1429.....	L-13	NS1717HC HQ.....	L-15
MRC840AL.....	N-52	NAR25A2N.....	L-30	NHNT1434.....	L-13	NS17A17A.....	L-28
MRE1022B.....	N-45	NAR29A2N.....	L-30	NHNT1529.....	L-13	NS1818.....	L-15
MRE1022NV.....	N-45	NAR29A4N.....	L-30	NHNT1534.....	L-13	NS1818CG2.....	L-15
MY28.....	N-53	NAR32A2N.....	L-30	NHNT1540.....	L-13	NS1818HC.....	L-15
MY284.....	N-53	NAR32A4N.....	L-30	NHNT1629.....	L-13	NS18A18A.....	L-28
MY286.....	N-53	NAR36A2N.....	L-30	NHNT1634.....	L-13	NS1919.....	L-15
MY2911.....	N-53	NAR36A4N.....	L-30	NHNT1640.....	L-13	NS1919HC.....	L-15
MY2911C.....	N-53	NAR42A2N.....	L-30	NHNT1644.....	L-13	NS1919HC HQ.....	L-15
MY293.....	N-53	NAR42A4N.....	L-30	NHNT1729.....	L-13	NS19A19A.....	L-28
MY293C.....	N-53	NAR45A2N.....	L-30	NHNT1734.....	L-13	NS2020.....	L-15
MY29UNIVERSALKIT.....	N-53	NAR45A4N.....	L-30	NHNT1740.....	L-13	NS2020HC.....	L-15
N2AH29-2N.....	L-7	NAR46A2N.....	L-30	NHNT1744.....	L-13	NS20A20A.....	L-28
N2AH29-34N.....	L-7	NAR46A4N.....	L-30	NHNT1829.....	L-13	NS2121.....	L-15
N2AH34-2N.....	L-7	NAR48A2N.....	L-30	NHNT1834.....	L-13	NS2121HC.....	L-15
N2AH34-34N.....	L-7	NAR48A4N.....	L-30	NHNT1840.....	L-13	NS21A21A.....	L-28
N2AH34-44N.....	L-7	NAS29-2N.....	L-4	NHNT1844.....	L-13	NS2222.....	L-15
N2AH40-34N.....	L-7	NAS29-34N.....	L-4	NHNT1846.....	L-13	NS2222HC.....	L-15
N2AH44-34N.....	L-7	NAS29-N.....	L-4	NHNT1929.....	L-13	NS22A22A.....	L-28
N2AH44-44N.....	L-7	NAS34-2N.....	L-4	NHNT1934.....	L-13	NS23A23A.....	L-28
N2AH44-44NHQ.....	L-7	NAS34-34N.....	L-4	NHNT1940.....	L-13	NS24A24A.....	L-28
N2AH46-44N.....	L-7	NAS34-N.....	L-4	NHNT1944.....	L-13	NS86A86A.....	L-28
N2AH48-44N.....	L-7	NAS40-2N.....	L-4	NHNT1946.....	L-13	NSNT1329.....	L-12
NA122N.....	L-5	NAS40-34N.....	L-4	NHNT2040.....	L-13	NSNT1429.....	L-12
NA132N.....	L-5	NAS40-44N.....	L-4	NHNT2044.....	L-13	NSNT1434.....	L-12
NA142N.....	L-5	NBC14A2N.....	L-31	NHNT2229.....	L-13	NSNT1529.....	L-12
NA144N.....	L-5	NBC15A-2N.....	L-31	NNT15A15A.....	L-25	NSNT1629.....	L-12
NA152N.....	L-5	NBC15A34N.....	L-31	NNT16A16A.....	L-25	NSNT2929.....	L-12
NA154N.....	L-5	NBC16A2N.....	L-31	NNT17A17A.....	L-25	NSNT3429.....	L-12
NA15A-2N.....	L-28	NBC16A34N.....	L-31	NNT18A18A.....	L-25	NSNT3434.....	L-12
NA15A-4N.....	L-28	NBC16A44N.....	L-31	NNT19A19A.....	L-25	NT1313.....	L-11
NA162N.....	L-5	NBC17A2N.....	L-31	NNT20A20A.....	L-25	NT1413.....	L-11
NA164N.....	L-5	NBC17A34N.....	L-31	NNT21A20A.....	L-25	NT1414.....	L-11
NA16A-2N.....	L-28	NBC17A44N.....	L-31	NNT22A22A.....	L-25	NT1514.....	L-11
NA172N.....	L-5	NBC18A2N.....	L-31	NNTR14A29A.....	L-27	NT1515.....	L-11
NA1744NHQ.....	L-5	NBC18A34N.....	L-31	NNTR15A36A.....	L-27	NT1614.....	L-11
NA174N.....	L-5	NBC18A-44N.....	L-31	NNTR15A42A.....	L-27	NT1615.....	L-11
NA17A-2N.....	L-28	NBC19A34N.....	L-31	NNTR16A29A.....	L-27	NT1616.....	L-11
NA17A-4N.....	L-28	NBC19A44N.....	L-31	NNTR16A32A.....	L-27	NT1714.....	L-11
NA182N.....	L-5	NBC20A2N.....	L-31	NNTR16A42A.....	L-27	NT1715.....	L-11
NA184N.....	L-5	NBC20A34N.....	L-31	NNTR17A29A.....	L-27	NT1717.....	L-11
NA18A-2N.....	L-28	NBC20A-44N.....	L-31	NNTR18A29A.....	L-27	NT1816.....	L-11
NA18A-4N.....	L-28	NBC21A44N.....	L-31	NNTR19A42A.....	L-27	NT1817.....	L-11
NA1944N.....	L-5	NBC22A2N.....	L-31	NNTR20A32A.....	L-27	NT1818.....	L-11
NA1944NHQ.....	L-5	NBC22A34N.....	L-31	NNTR22A46A.....	L-27	NT1919.....	L-11
NA194N.....	L-5	NBC22A44N.....	L-31	NNTR29A29A.....	L-26	NT2020.....	L-11
NA194N90CG2.....	L-5	NBC24A2N.....	L-31	NNTR32A25A.....	L-26	NT2121.....	L-11
NA19A-4N.....	L-28	NBC24A34N.....	L-31	NNTR32A32A.....	L-26	NT2222.....	L-11
NA204N.....	L-5	NBC24A44N.....	L-31	NNTR36A29A.....	L-26	NYFT3434CCP.....	K-53
NA20A-4N.....	L-28	NBC86A44N.....	L-31	NNTR36A36A.....	L-26	NYFT3434CCR.....	K-53

ALPHA-NUMERIC INDEX BY CATALOG NUMBER (Continued)

Catalog Number	Page #	Catalog Number	Page #	Catalog Number	Page #	Catalog Number	Page #
NYT2825.....	K-61	PAT750KLI.....	N-10	PENE-55GAL.....	F-4	PT292792.....	N-104
NYT2826.....	K-61	PAT750L5.....	N-10	PENE-5GAL.....	F-4	PT29291.....	N-20, N-31,
NYT2828.....	C-213, K-61	PAT750LI.....	N-10	PENE-8.....	F-4		N-71, N-72,
NYT282C.....	K-61	PAT81KFL5.....	N-12	PENE8BLB.....	F-4		N-103
NYT2925.....	C-213, K-61	PAT81KFTLI.....	N-12	PENE-GAL.....	F-4	PT29360.....	N-21, N-103
NYT2926.....	K-61	PATCHGRLI.....	N-8 - N-19,	PENE-QT.....	F-4	PT294021.....	N-31, N-103
NYT2928.....	K-61		N-76 - N-82	PENHT1LB.....	F-4	PT2972.....	N-21, N-32,
NYT2929.....	C-213, K-61	PATCHGRLLDC.....	N-8 - N-19,	PENHT-4.....	F-4		N-33, N-103
NYT292C.....	K-61		N-76 - N-82	PENHT-8.....	F-4	PT2990010.....	N-59, N-60,
NYT3125.....	K-61	PATCUT129L5.....	N-78	PENHT8BLB.....	F-4		N-99
NYT3126.....	K-61	PATCUT129LI.....	N-78	PENHTGAL.....	F-4	PT2990015.....	N-99
NYT3128.....	K-61	PATCUT2156L5.....	N-77	PG1025X03D.....	B-71	PT2990025.....	N-99
NYT3129.....	K-61	PATCUT2156LI.....	N-77	PG1211.....	N-47	PT2990110.....	N-99
NYT3131.....	K-61	PATCUT245L5.....	N-79	PG1251.....	N-47	PT2990115.....	N-99
NYT3426.....	C-213, K-61	PATCUT245LI.....	N-79	PG1331.....	N-47	PT2990125.....	N-99
NYT3428.....	C-213, K-61	PATCUT4CUALLI.....	N-76	PG1425X03D.....	B-71	PT2990210.....	N-99
NYT3429.....	C-213, K-61	PATCUT4L5.....	N-76	PG1825X03D.....	B-71	PT2990215.....	N-99
NYT3431.....	K-61	PATJAWSCUT.....	N-15, N-16,	PG3951.....	N-42	PT2990225.....	N-99
NYT3434.....	C-213, K-61		N-81, N-82	PG3961.....	N-42	PT30250.....	N-38
NYT3926.....	K-61	PATJAWSMD6.....	N-15, N-16,	PG3971.....	N-42	PT4583.....	N-54, N-55
NYT3928.....	K-61		N-81, N-82	PG3981.....	N-42	PT4925.....	N-58, N-102
NYT3929.....	C-213, K-61	PATJAWSMD66.....	N-15, N-16,	PG4031R.....	N-45	PT49311.....	N-102
NYT3931.....	K-61		N-81, N-82	PG4032R.....	N-45	PT49521.....	N-58, N-102
NYT3934.....	C-213, K-61	PATJAWSMD68.....	N-15, N-16,	PG4061.....	N-45	PT50024605.....	N-61
NYT3939.....	K-61		N-81, N-82	PG4071.....	N-45	PT50024683.....	N-61
NYT4426.....	K-61	PATJAWSMD6K.....	N-16, N-81	PG4081.....	N-45	PT50024685.....	N-61
NYT4428.....	K-61	PATMD6682ALLIF.....	N-82	PG4091.....	N-49	PT50025151.....	N-18
NYT4429.....	C-213, K-61	PATMD6682ALLIFWCJ.....	N-82	PG4092.....	N-49	PT6515.....	N-30
NYT4431.....	C-213, K-61	PATMD66JC.....	N-15 - N-18,	PG4093.....	N-49	PT6545.....	N-30, N-103
NYT4434.....	C-213, K-61		N-81	PG4094.....	N-49	PT6733.....	N-102
NYT4439.....	K-61	PATMD66LI.....	N-16	PG4095.....	N-49	PT6744.....	N-102
NYT4444.....	C-213, K-61	PATMD66LICUTKIT1.....	N-18	PG4096.....	N-49	PT76.....	N-100
NYT4628.....	K-61	PATMD66LIWCJ.....	N-17	PGHS1425X03D.....	B-71	PT8504.....	N-54
NYT4629.....	K-61	PATMD682ALLIF.....	N-82	PGHS1825X03D.....	B-71	PT91.....	N-100
NYT4631.....	K-61	PATMD682ALLIFWCJ.....	N-82	PGN1025X03B.....	B-73	PT93.....	N-101
NYT4634.....	K-61	PATMD6882ALLIF.....	N-82	PGN1025X03D.....	B-73	PT94.....	N-101
NYT4639.....	K-61	PATMD6882ALLIFWCJ.....	N-82	PGN1425X03B.....	B-73	PT9711.....	N-94
NYT4644.....	K-61	PATMD68LI.....	N-16	PGN1425X03D.....	B-73	PTV10.....	B-84
NYT4646.....	C-213, K-61	PATMD68LICUTKIT1.....	N-18	PGN1825X03B.....	B-73	PTV14.....	B-84
OEM840NCP.....	N-61	PATMD68LIWCJ.....	N-17	PGN1825X03D.....	B-73	PTV18.....	B-84
OH25.....	N-54	PATMD6JC.....	N-15 - N-18,	PGP1025X03B.....	B-72	PU998.....	N-71
OUR840.....	N-55		N-81	PGP1025X03D.....	B-72	PUADP1.....	N-8, N-9,
OUR840WC.....	N-55	PATMD6KJC.....	N-15 - N-18,	PGP1425X03B.....	B-72		N-28, N-29
P15K.....	N-8, N-9,		N-81	PGP1425X03D.....	B-72	Q10F11X02D.....	B-61
	N-28, N-29	PATMD6KLI.....	N-16	PGP1825X03B.....	B-72	Q10F18X02D.....	B-61
P8A.....	F-4	PATMD6KLICUTKIT1.....	N-18	PGP1825X03D.....	B-72	Q10F25X03B.....	B-61
PAT46CLWLSL5.....	N-8	PATMD6KLIWCJ.....	N-17	PT10024162.....	N-20, N-84	Q10F25X03D.....	B-61
PAT46CLWLSLI.....	N-8	PATMD6LI.....	N-16	PT10037384.....	N-78, N-84,	Q10M25X03D.....	B-60
PAT46LWL5.....	N-9	PATMD6LICUTKIT1.....	N-18		N-87	Q14F11X02B.....	B-61
PAT46LWLI.....	N-9	PATMD6LIWCJ.....	N-17	PT10037388.....	N-78, N-84,	Q14F11X02D.....	B-61
PAT46LWLSL5.....	N-8	PATMD6LICUTKIT1.....	N-18		N-87	Q14F18X02B.....	B-61
PAT46LWLSLI.....	N-8	PATMD6LICUTKIT1.....	N-18	PT10038657.....	N-79, N-88	Q14F18X02D.....	B-61
PAT4PC834L5.....	N-13	PATMD6LICUTKIT1.....	N-18	PT10040663.....	N-79, N-88	Q14F25X03B.....	B-61
PAT4PC834LI.....	N-13	PATMD6LICUTKIT1.....	N-18	PT10043890.....	N-87	Q14F25X03D.....	B-61
PAT500SJ66L5.....	N-15	PATMD6LICUTKIT1.....	N-18	PT10050733.....	N-24, N-25	Q14M18X02B.....	B-60
PAT500SJ66LI.....	N-15	PATMD6LICUTKIT1.....	N-18	PT10054094.....	N-28, N-29,	Q14M18X02D.....	B-60
PAT500SJ68L5.....	N-15	PATMD6LICUTKIT1.....	N-18		N-31, N-35,	Q14M25X03B.....	B-60
PAT500SJ68LI.....	N-15	PATMD6LICUTKIT1.....	N-18		N-36, N-86,	Q14M25X03D.....	B-60
PAT500SJ68LICUTKIT1.....	N-15, N-80	PATMD6LICUTKIT1.....	N-18		N-88	Q18F11X02D.....	B-61
PAT500SJ6L5.....	N-15	PATMD6LICUTKIT1.....	N-18	PT10074020.....	N-15 - N-19,	Q18F18X02B.....	B-61
PAT500SJ6LI.....	N-15	PATMD6LICUTKIT1.....	N-18		N-80, N-81	Q18F18X02D.....	B-61
PAT500SJ6LIWCJ.....	N-15, N-80	PATMD6LICUTKIT1.....	N-18	PT10128.....	N-103	Q18F25X03B.....	B-61
PAT500SJ6LICUTKIT1.....	N-15, N-80	PATMD6LICUTKIT1.....	N-18	PT11018.....	N-101	Q18F25X03D.....	B-61
PAT500SJCUTL5.....	N-80	PATMD6LICUTKIT1.....	N-18	PT20719001.....	N-34	Q18M11X02D.....	B-60
PAT500SJCUTLI.....	N-80	PATMD6LICUTKIT1.....	N-18	PT208620.....	N-8 - N-14,	Q18M18X02B.....	B-60
PAT600L5.....	N-14	PATMD6LICUTKIT1.....	N-18		N-76 - N-79	Q18M18X02D.....	B-60
PAT600LI.....	N-14	PATMD6LICUTKIT1.....	N-18	PT212851.....	N-26	Q18M25X03B.....	B-60
PAT644L5.....	N-11	PATMD6LICUTKIT1.....	N-18	PT290741.....	N-101	Q18M25X03D.....	B-60
PAT644LI.....	N-11	PATMD6LICUTKIT1.....	N-18	PT29091.....	N-101	Q2A1C-2.....	A-17
PAT750CL5.....	N-10	PATMD6LICUTKIT1.....	N-18	PT292141.....	N-101	Q2A26-2N.....	A-17
PAT750CLI.....	N-10	PATMD6LICUTKIT1.....	N-18				

ALPHA-NUMERIC INDEX BY CATALOG NUMBER (Continued)

Catalog Number	Page #	Catalog Number	Page #	Catalog Number	Page #	Catalog Number	Page #
Q2A28-2N	A-17		L-21	QP14M18X02B	B-62	RGC39G1	E-73
Q2A28-4N	A-17	QGFL26B2T6	A-11, E-74,	QP14M18X02D	B-62, B-92	RGC44G1	E-73
Q2A31-2N	A-17		L-21	QP14M25X03B	B-62	RHCC129ACSR	N-87
Q2A31-4N	A-17	QGFL29B1	A-11, E-74,	QP14M25X03D	B-62, B-92	RHCC2156ACSR	N-86
Q2A34-2N	A-17		L-21	QP18F11X02D	B-63	RHCC2156ACSRF	N-86
Q2A34-4N	A-17	QGFL29B1T6	A-11, E-74,	QP18F18X02B	B-63	RHCC245CUAL	N-88
Q2A40-2N	A-17		L-21	QP18F18X02D	B-63, B-92	RHCC4CUAL	N-85
Q2A40-4N	A-17	QGFL31B1	A-11, E-74,	QP18F25X03B	B-63	RHCC4CUALBLD	N-85
Q2A44-4N	A-17		L-21	QP18F25X03D	B-63, B-92	RHCC4CUALGDEBLD	N-85
Q2A46-4N	A-17	QGFL31B1T6	A-11, E-74,	QP18M11X02D	B-62	RHCCHSA	N-87, N-88
Q2B28-2N	A-18		L-21	QP18M18X02B	B-62	RK141-2	B-94
Q2B31-2N	A-18	QGFL34B1	A-11, E-74,	QP18M18X02D	B-62, B-92	RK141ABOX100	B-94
Q2B40-4N	A-18		L-21	QP18M25X03B	B-62	RK142-2	B-94
Q3A28-2N	A-17	QGFL34B1T6	A-11, E-74,	QP18M25X03D	B-62, B-92	RK142ABOX100	B-94
Q3A28-4N	A-17		L-21	QPX2828	A-8, H-14	RK149-2	A-57
Q3A31-2N	A-17	QGFL39B1	A-11, E-74,	QPX2828-Y	A-9	RK150-2	A-57
Q3A31-4N	A-17		L-21	QPX282C	A-8, H-14	RK151-2	A-57
Q3A34-2N	A-17	QGFL39B1T6	A-11, E-74,	QPX282C-Y	A-9	RK152-2	A-57
Q3A34-4N	A-17		L-21	QPX2C2C	A-8, H-14	RK153-2	A-57
Q3A40-4N	A-17	QGFL44B1	A-11, E-74,	QPX2C2C-Y	A-9	RK1942	F-16, N-105
Q3A44-4N	A-17		L-21	QPX3428	A-8, H-14	RK225-2	A-57
Q3A46-4N	A-17	QGFL44B1T6	A-11, E-74,	QPX3428-Y	A-9	RK226-2	A-57
QA1C-2B	A-16		L-21	QPX342C	A-8, H-14	RK227-2	A-57
QA1C-B	A-16	QGFL46B1	A-11, E-74,	QPX342C-Y	A-9	RP50RP02	N-83
QA26-2B	A-16		L-21	QPX3434	A-8, H-14	RP50RP03	N-83
QA26-B	A-16	QGFL46B1T6	A-11, E-74,	QPX3434-Y	A-9	RPC701302	N-90
QA28-2B	A-16		L-21	QPX4428	A-8, H-14	RPC701402	N-90
QA28-2N	A-16	QGFL48B1	A-11, E-74,	QPX442C	A-8, H-14	RPC705501	N-91
QA28-B	A-16		L-21	QPX4434	A-8, H-14	RPC705601	N-91
QA31-2B	A-16	QIKLITE	E-83	QPX4444	A-8, H-14	RPC902101	N-91
QA31-2N	A-16	QIKLITEKIT	E-83	QPX4444-Y	A-9	RPC902201	N-91
QA31-B	A-16	QIKSTIK	E-83	QQA1C	A-16	RWRC516	N-92
QA34-2B	A-16	QN10F18X02B	B-66	QQA1C-2	A-16	RWRC916	N-92
QA34-2N	A-16	QN10F18X02D	B-66	QQA26	A-16	RYA25UC	K-66
QA34-4B	A-16	QN10F25X03B	B-66	QQA26-2	A-16	RYA25UCR	K-66
QA34-B	A-16	QN10F25X03D	B-66	QQA28	A-16	RYA26UC	K-66
QA40-2N	A-16	QN10M25X03D	B-65	QQA28-2N	A-16	RYA26UCR	K-66
QA40-B	A-16	QN14F11X02B	B-66	QQA31	A-16	RYA27UC	K-66
QA44-2N	A-16	QN14F11X02D	B-66	QQA31-2N	A-16	RYA27UCR	K-66
QA44-4N	A-16	QN14F18X02B	B-66	QQA34	A-16	RYA28UC	K-66
QA44-B	A-16	QN14F18X02D	B-66	QQA34-2N	A-16	RYA28UCR	K-66
QA46-2N	A-16	QN14F25X03B	B-66	QQA40-2N	A-16	RYA29UC	K-66
QA46-B	A-16	QN14F25X03D	B-66	QQA40-4N	A-16	RYA29UCR	K-66
QA4C-2B	A-16	QN14M18X02B	B-65	QQA44-2N	A-16	RYA2UC	K-66
QA4C-B	A-16	QN14M18X02D	B-65	QQA44-4N	A-16	RYA2UCR	K-66
QA8C-2B	A-16	QN14M25X03B	B-65	QQA4C	A-16	RYA2WAC	K-66
QA8C-B	A-16	QN14M25X03D	B-65	QQA4C-2	A-16	RYA2WACR	K-66
QB1C	A-18	QN18F11X02B	B-66	QQA8C	A-16	RYA31	K-66
QB26	A-18	QN18F11X02D	B-66	QQA8C-2	A-16	RYA31AC	K-66
QB28	A-18	QN18F18X02B	B-66	QR1C	A-19	RYA31ACR	K-66
QB31-2N	A-18	QN18F18X02D	B-66	QR26	A-19	RYA31C-2	K-65
QB4C	A-18	QN18F25X03B	B-66	QR28	A-19	RYA31CR-2	K-65
QB8C	A-18	QN18F25X03D	B-66	QR31	A-19	RYA34C-2	K-65
QDA1C	A-19	QN18M18X02B	B-65	QR34	A-19	RYA34CR-2	K-65
QDA26	A-19	QN18M18X02D	B-65	QR40	A-19	RYA4UC	K-66
QDA28	A-19	QN18M25X03B	B-65	QR4C	A-19	RYA4UCR	K-66
QDA31	A-19	QN18M25X03D	B-65	RA6UCR-SL	K-65	RYA75AC	K-66
QDA34	A-19	QP10F18X02B	B-63	RA6UC-SL	K-65	RYA75ACR	K-66
QDA40	A-19	QP10F18X02D	B-63	RCC1000	N-90	RYAC25	K-66, K-69
QDA4C	A-19	QP10F25X03B	B-63	RCC336	N-91	RYAC31	K-69
QDA8C	A-19	QP10F25X03D	B-63	RCC556	N-91	RYAC31-1	K-69
QGFL1CB1	A-11, E-74,	QP10F38X05D	B-63	RCC600E	N-90	S2GBP41A	I-63, M-32
	L-21	QP10M25X03D	B-62	RCC750HD	N-90	S2GBP41A12	I-63, M-32
QGFL1CB1T6	A-11, E-74,	QP14F11X02D	B-63	RCC954ACSR1K	N-91	S2GBP41A12B2	I-65, M-34
	L-21	QP14F18X02B	B-63	RDM4-28	K-65	S2GBP41AB2	I-65, M-34
QGFL26B1	A-11, E-74,	QP14F18X02D	B-63, B-92	RDM6-28	K-65	S2GBP445A	I-63, M-32
	L-21	QP14F25X03	B-92	RDM8-28	K-65	S2GBP445A12	I-63, M-32
QGFL26B1T6	A-11, E-74,	QP14F25X03B	B-63	RDMD-28CR	K-64	S2GBP445A12B2	I-65, M-34
	L-21	QP14F25X03D	B-63, B-92	RDMD4-2858D	K-64	S2GBP445AB2	I-65, M-34
QGFL26B2	A-11, E-74,	QP14M11X02D	B-62	RDMD4-28G3	K-64	S2GBP44A	I-63, M-32

ALPHA-NUMERIC INDEX BY CATALOG NUMBER (Continued)

Catalog Number	Page #	Catalog Number	Page #	Catalog Number	Page #	Catalog Number	Page #
S2GBP44A12.....	I-63, M-32	S2GBP448AB2.....	I-66, M-35	SH2GBP48A5B2.....	I-66, M-35	SWAB19A-34N.....	M-18
S2GBP44A12B2.....	I-65, M-34	S3D451R25MX1.....	I-68	SN10.....	B-48	SWAB22A2N.....	M-18
S2GBP44AB2.....	I-65, M-34	S3D451RMX1.....	I-68	SN10B.....	B-49	SWAB22A-34N.....	M-18
S2GBP451ASG1HT.....	I-69	S3D48R25MX1.....	I-68	SN14.....	B-48	SWAB22A-44N.....	M-18
S2GBP451ASG4.....	I-69	S3D48RMX1.....	I-68	SN14B.....	B-49	SWAB86A2N.....	M-18
S2GBP45A.....	I-63, M-32	S3D55R25MX1.....	I-68	SN18.....	B-48	SWAB86A34N.....	M-18
S2GBP45A12.....	I-63, M-32	S3D55RMX1.....	I-68	SN18B.....	B-49	SWAB86A-44N.....	M-18
S2GBP45A12B2.....	I-65, M-34	S3D56RMX1.....	I-68	SP10.....	B-47, B-92	SWAC18A-2N.....	M-12
S2GBP45AB2.....	I-65, M-34	S3D59R25MX1.....	I-68	SP14.....	B-47, B-92	SWAC18A-34N.....	M-12
S2GBP463ASG1HT.....	I-69	S3GBP41A.....	I-67, M-36	SP16.....	B-47	SWAC18A-44N.....	M-12
S2GBP463ASG6.....	I-69	S3GBP445A.....	I-67, M-36	SP18.....	B-92	SWAC19A-2N.....	M-12
S2GBP46A.....	I-64, M-33	S3GBP44A.....	I-67, M-36	SPEC-BLOK.....	A-63	SWAC19A-34N.....	M-12
S2GBP46A12.....	I-64, M-33	S3GBP45A.....	I-67, M-36	SPEC-BLOK Questionnaire ...	A-66	SWAC19A-44N.....	M-12
S2GBP46A12B2.....	I-66, M-35	S3GBP46A.....	I-67, M-36	STKIT08.....	B-92	SWAC20A-2N.....	M-12
S2GBP46AB2.....	I-66, M-35	S3GBP483A.....	I-67, M-36	STKIT15.....	B-92	SWAC20A-34N.....	M-12
S2GBP47ASG1.....	I-69	S3GBP486A.....	I-67, M-36	STS33A-4N.....	I-62, M-31	SWAC20A-44N.....	M-12
S2GBP47ASG2HT.....	I-69	S3GBP48A.....	I-67, M-36	STS43A-4N.....	I-62, M-31	SWAC21A-34N.....	M-12
S2GBP483A.....	I-64, M-33	S4D451RMX1.....	I-68	STS44A-4N.....	I-62, M-31	SWAC21A-44N.....	M-12
S2GBP483A12.....	I-64, M-33	S4D48RMX1.....	I-68	STS44A-4NCG2.....	I-62, M-31	SWAC22A-34N.....	M-12
S2GBP483A12B2.....	I-66, M-35	S4D55RMX1.....	I-68	STS46AGNCG1.....	I-62, M-31	SWAC22A-44N.....	M-12
S2GBP483AB2.....	I-66, M-35	SB232TC14.....	E-33	SW3A20A44N8.....	M-38	SWAC23A-34N.....	M-12
S2GBP486A.....	I-64, M-33	SB232TC38.....	E-33	SW3A22A44N8.....	M-38	SWAC24A-34N.....	M-12
S2GBP486A12.....	I-64, M-33	SB23U.....	E-33	SW3A24A44N8.....	M-38	SWAC24A-44N.....	M-12
S2GBP486A12B2.....	I-66, M-35	SB252TC14.....	E-33	SW3A86A44N8.....	M-38	SWAC58A-2N.....	M-12
S2GBP486AB2.....	I-66, M-35	SB252TC38.....	E-33	SW3AB20A44N8.....	M-39	SWAC58A-34N.....	M-12
S2GBP48A.....	I-64, M-33	SB25U.....	E-33	SW3AB22A44N8.....	M-39	SWAC58A-44N.....	M-12
S2GBP48A12.....	I-64, M-33	SC2.....	A-3, H-5	SW3AB24A44N8.....	M-39	SWAC59A-2N.....	M-12
S2GBP48A12B2.....	I-66, M-35	SC2/0.....	A-3, H-5	SW3AB86A44N8.....	M-39	SWAC59A-34N.....	M-12
S2GBP48AB2.....	I-66, M-35	SC4.....	A-3, H-5	SWA18A-2N.....	M-11	SWAC59A-44N.....	M-12
S2GBP48ASG1HT.....	I-69	SCB19A.....	M-28	SWA18A-34N.....	M-11	SWAC86A-44N.....	M-12
S2GBP48ASG2.....	I-69	SCB20A.....	M-28	SWA18A-44N.....	M-11	SWAC90A-2N.....	M-12
S2GBP51ASG1.....	I-69	SCB21A.....	M-28	SWA19A-2N.....	M-11	SWAC90A-34N.....	M-12
S2GBP51ASG2HT.....	I-69	SCB22A.....	M-28	SWA19A-34N.....	M-11	SWAC90A-44N.....	M-12
S2GBP521ASG1.....	I-69	SCB24A.....	M-28	SWA19A-44N.....	M-11	SWAC91A-34N.....	M-12
S2GBP521ASG2HT.....	I-69	SCB86A.....	M-28	SWA20A-2N.....	M-11	SWAC91A-44N.....	M-12
S2GBP52ASG1.....	I-69	SD10NCP1CH.....	N-63	SWA20A-34N.....	M-11	SWAC92A-34N.....	M-12
S2GBP52ASG2HT.....	I-69	SD10NCP1LP1.....	N-63	SWA20A-44N.....	M-11	SWAC92A-44N.....	M-12
S2GBP54ASG1.....	I-69	SF2A44NL12EX.....	M-37	SWA21A-34N.....	M-11	SWAC93A-34N.....	M-12
S2GBP54ASG2HT.....	I-69	SF2A44NL18EX.....	M-37	SWA21A-44N.....	M-11	SWAC94A-34N.....	M-12
S2GBP4A1A.....	I-63, M-32	SH2GBP41A5.....	I-63, M-32	SWA22A-44N.....	M-11	SWAC94A-44N.....	M-12
S2GBP4A1A12.....	I-63, M-32	SH2GBP41A512.....	I-63, M-32	SWA23A-44N.....	M-11	SWAC96A-44N.....	M-12
S2GBP4A1A12B2.....	I-65, M-34	SH2GBP41A512B2.....	I-65, M-34	SWA24A-34N.....	M-11	SWAT18A16A-30.....	M-22
S2GBP4A1AB2.....	I-65, M-34	SH2GBP41A5B2.....	I-65, M-34	SWA24A-44N.....	M-11	SWAT18A17A-30.....	M-22
S2GBP4A45A.....	I-63, M-32	SH2GBP445A5.....	I-63, M-32	SWA444A-44N.....	M-10	SWAT18A18A-30.....	M-22
S2GBP4A45A12.....	I-63, M-32	SH2GBP445A512.....	I-63, M-32	SWA44R-44N.....	M-10	SWAT19A16A-30.....	M-22
S2GBP4A45A12B2.....	I-65, M-34	SH2GBP445A512B2.....	I-65, M-34	SWA486A-44N.....	M-10	SWAT19A17A-30.....	M-22
S2GBP4A45AB2.....	I-65, M-34	SH2GBP445A5B2.....	I-65, M-34	SWA486A-4N.....	M-10	SWAT19A18A-30.....	M-22
S2GBP4A4A.....	I-63, M-32	SH2GBP44A5.....	I-63, M-32	SWA486A-66N.....	M-10	SWAT20A17A-30.....	M-22
S2GBP4A4A12.....	I-63, M-32	SH2GBP44A512.....	I-63, M-32	SWA48A-44N.....	M-10	SWAT20A18A-30.....	M-22
S2GBP4A4A12B2.....	I-65, M-34	SH2GBP44A512B2.....	I-65, M-34	SWA493R-4N.....	M-10	SWAT20A19A-30.....	M-22
S2GBP4A4AB2.....	I-65, M-34	SH2GBP44A5B2.....	I-65, M-34	SWA54R-44N.....	M-10	SWAT21A16A-30.....	M-22
S2GBP4A45A.....	I-63, M-32	SH2GBP45A5.....	I-63, M-32	SWA58A-2N.....	M-11	SWAT21A17A-30.....	M-22
S2GBP4A45A12.....	I-63, M-32	SH2GBP45A512.....	I-63, M-32	SWA58A-34N.....	M-11	SWAT21A18A-30.....	M-22
S2GBP4A45A12B2.....	I-65, M-34	SH2GBP45A512B2.....	I-65, M-34	SWA58A-44N.....	M-11	SWAT21A19A-30.....	M-22
S2GBP4A45AB2.....	I-65, M-34	SH2GBP45A5B2.....	I-65, M-34	SWA58R-44N.....	M-10	SWAT21A20A-30.....	M-22
S2GBP4A6A.....	I-64, M-33	SH2GBP46A5.....	I-64, M-33	SWA59A-2N.....	M-11	SWAT22A18A-30.....	M-22
S2GBP4A6A12.....	I-64, M-33	SH2GBP46A512.....	I-64, M-33	SWA59A-34N.....	M-11	SWAT22A19A-30.....	M-22
S2GBP4A6A12B2.....	I-66, M-35	SH2GBP46A512B2.....	I-66, M-35	SWA59A-44N.....	M-11	SWAT22A20A-30.....	M-22
S2GBP4A6AB2.....	I-66, M-35	SH2GBP46A5B2.....	I-66, M-35	SWA86A-44N.....	M-11	SWAT24A18A-30.....	M-22
S2GBP4A83A.....	I-64, M-33	SH2GBP483A5.....	I-64, M-33	SWA90A-2N.....	M-11	SWAT24A19A-30.....	M-22
S2GBP4A83A12.....	I-64, M-33	SH2GBP483A512.....	I-64, M-33	SWA90A-34N.....	M-11	SWAT24A20A-30.....	M-22
S2GBP4A83A12B2.....	I-66, M-35	SH2GBP483A512B2.....	I-66, M-35	SWA90A-44N.....	M-11	SWAT86A20A-30.....	M-22
S2GBP4A83AB2.....	I-66, M-35	SH2GBP483A5B2.....	I-66, M-35	SWA91A-34N.....	M-11	SWAT86A21A-30.....	M-22
S2GBP4A86A.....	I-64, M-33	SH2GBP486A5.....	I-64, M-33	SWA91A-44N.....	M-11	SWAT86A22A-30.....	M-22
S2GBP4A86A12.....	I-64, M-33	SH2GBP486A512.....	I-64, M-33	SWA92A-44N.....	M-11	SWCB19A.....	M-29
S2GBP4A86A12B2.....	I-66, M-35	SH2GBP486A512B2.....	I-66, M-35	SWA93A-44N.....	M-11	SWCB20A.....	M-29
S2GBP4A86AB2.....	I-66, M-35	SH2GBP486A5B2.....	I-66, M-35	SWA94A-34N.....	M-11	SWCB22A.....	M-29
S2GBP4A8A.....	I-64, M-33	SH2GBP48A5.....	I-64, M-33	SWA94A-44N.....	M-11	SWCB24A.....	M-29
S2GBP4A8A12.....	I-64, M-33	SH2GBP48A512.....	I-64, M-33	SWA96A-44N.....	M-11	SWCB86A.....	M-29
S2GBP4A8A12B2.....	I-66, M-35	SH2GBP48A512B2.....	I-66, M-35	SWAB19A2N.....	M-18	SWHRH18A-3CH.....	M-24

ALPHA-NUMERIC INDEX BY CATALOG NUMBER (Continued)

Catalog Number	Page #	Catalog Number	Page #	Catalog Number	Page #	Catalog Number	Page #
SWHRH18A-5CH.....	M-24	SWT24A20A75.....	M-21	T108LF.....	B-32	TMH295.....	D-8
SWHRH19A-3CH.....	M-24	SWT24A21A.....	M-20	T14-10.....	B-5	TMH295SS.....	D-8
SWHRH19A-5CH.....	M-24	SWT24A22A.....	M-20	T1410BF.....	B-37	TMH322SS.....	D-8
SWHRH20A-3CH.....	M-24	SWT24A24A.....	M-20	T14-10F.....	B-27	TMH332.....	D-8
SWHRH20A-5CH.....	M-24	SWT86A20A.....	M-20	T1410LF.....	B-32	TMH69.....	D-8
SWHRH21A-3CH.....	M-24	SWT86A20A75.....	M-21	T14-14.....	B-5	TMH69SS.....	D-8
SWHRH21A-5CH.....	M-24	SWT86A21A.....	M-20	T14-14F.....	B-27	TMHG-42.....	E-27
SWHRH22A-3CH.....	M-24	SWT86A21A75.....	M-21	T14-38.....	B-5	TMHG-92.....	E-27
SWHRH22A-5CH.....	M-24	SWT86A22A.....	M-20	T14-4.....	B-5	TN10-10.....	B-9
SWHRH24A-3CH.....	M-24	SWT86A22A75.....	M-21	T14-516.....	B-5	TN1010BF.....	B-39
SWHRH24A-5CH.....	M-24	SWT86A24A.....	M-20	T14-6.....	B-5	TN10-10F.....	B-29
SWHRH86A-3CH.....	M-24	SWT86A86A.....	M-20	T146BF.....	B-37	TN10-10LF.....	B-34
SWHRH86A-5CH.....	M-24	SWVH19A-5.....	M-25	T14-6F.....	B-27	TN10-12.....	B-9
SWL18A.....	M-27	SWVH19A-7.....	M-25	T146LF.....	B-32	TN10-14.....	B-9
SWL19A.....	M-27	SWVH20A-5.....	M-25	T14-8.....	B-5	TN10-14F.....	B-29
SWL20A.....	M-27	SWVH20A-7.....	M-25	T148BF.....	B-37	TN10-38.....	B-9
SWL21A.....	M-27	SWVH22A-5.....	M-25	T14-8F.....	B-27	TN10-516.....	B-9
SWL22A.....	M-27	SWVH22A-7.....	M-25	T148LF.....	B-32	TN10-6.....	B-9
SWL24A.....	M-27	SWVH24A-5.....	M-25	T1610BF.....	B-37	TN106BF.....	B-39
SWL58A.....	M-27	SWVH86A-5.....	M-25	T1610LF.....	B-32	TN10-6F.....	B-29
SWL59A.....	M-27	SWVH86A-7.....	M-25	T166BF.....	B-37	TN10-6LF.....	B-34
SWL86A.....	M-27	SWXA20A-44N.....	M-14	T166LF.....	B-32	TN10-8.....	B-9
SWL90A.....	M-27	SWXA20A-4NK8.....	M-13	T168BF.....	B-37	TN108BF.....	B-39
SWL91A.....	M-27	SWXA22A-44N.....	M-14	T168LF.....	B-32	TN10-8F.....	B-29
SWL92A.....	M-27	SWXA22A-4NK8.....	M-13	T18-10.....	B-5	TN10-8LF.....	B-34
SWL93A.....	M-27	SWXA24A-44N.....	M-14	T18-10F.....	B-27	TN14-10.....	B-9
SWL96A.....	M-27	SWXA24A-4NK8.....	M-13	T18-14.....	B-5	TN1410BF.....	B-39
SWOH18A-3.....	M-23	SWXA86A-44N.....	M-14	T18-14F.....	B-27	TN14-10F.....	B-29
SWOH18A-5.....	M-23	SWXA86A-4NK8.....	M-13	T18-38.....	B-5	TN14-10LF.....	B-34
SWOH19A-3.....	M-23	SWXA92A-44N.....	M-14	T18-4.....	B-5	TN14-14.....	B-9
SWOH19A-5.....	M-23	SWXA92A-4NK8.....	M-13	T18-516.....	B-5	TN14-14F.....	B-29
SWOH20A-3.....	M-23	SWXA94A-44N.....	M-14	T18-6.....	B-5	TN14-38.....	B-9
SWOH20A-5.....	M-23	SWXA94A-4NK8.....	M-13	T18-6F.....	B-27	TN14-4.....	B-9
SWOH21A-5.....	M-23	SWXA96A-4NK8.....	M-13	T18-8.....	B-5	TN14-516.....	B-9
SWOH22A-3.....	M-23	SWXHP19A-5.....	M-26	T18-8F.....	B-27	TN14-6.....	B-9
SWOH22A-5.....	M-23	SWXHP20A-5.....	M-26	TBPT10.....	A-62	TN146BF.....	B-39
SWOH24A-5.....	M-23	SWXHP21A-5.....	M-26	TBPT12.....	A-62	TN14-6F.....	B-29
SWOH86A-5.....	M-23	SWXHP22A-5.....	M-26	TBPT6.....	A-62	TN14-6G1.....	B-9
SWT17A17A.....	M-19	SWXHP24A-5.....	M-26	TBPT8.....	A-62	TN14-6LF.....	B-34
SWT18A16A75.....	M-21	SWXHP59A-5.....	M-26	TFV3B12V2.....	G-23	TN14-8.....	B-9
SWT18A17A75.....	M-21	SWXHP86A-5.....	M-26	TFV3B18V2.....	G-23	TN148BF.....	B-39
SWT19A16A75.....	M-21	SWXHP90A-5.....	M-26	TFV3B6V2.....	G-23	TN14-8F.....	B-29
SWT19A17A75.....	M-21	SWXHP91A-5.....	M-26	TFV3BLU12.....	G-23	TN14-8LF.....	B-34
SWT19A18A75.....	M-21	SWXHP92A-5.....	M-26	TFV3BLU18.....	G-23	TN18-10.....	B-9
SWT19A19A.....	M-19	SWXHP94A-5.....	M-26	TMH261.....	D-8	TN1810BF.....	B-39
SWT20A17A75.....	M-21	SWXHP96A-5.....	M-26	TMH261SS.....	D-8	TN18-10F.....	B-29
SWT20A18A75.....	M-21	SWXP20A20A.....	M-17	TMH262.....	D-8	TN18-10LF.....	B-34
SWT20A19A75.....	M-21	SWXP22A22A.....	M-17	TMH262SS.....	D-8	TN18-14.....	B-9
SWT21A14A.....	M-19	SWXP24A24A.....	M-17	TMH263.....	D-8	TN18-14F.....	B-29
SWT21A15A.....	M-19	SWXP86A86A.....	M-17	TMH263SS.....	D-8	TN18-38.....	B-9
SWT21A16A.....	M-19	SWXP90A90A.....	M-17	TMH264.....	D-8	TN18-4.....	B-9
SWT21A16A75.....	M-21	SWXP92A92A.....	M-17	TMH264SS.....	D-8	TN184F.....	B-29
SWT21A17A.....	M-20	SWXP94A94A.....	M-17	TMH265.....	D-8	TN18-516.....	B-9
SWT21A17A75.....	M-21	SWXP96A96A.....	M-17	TMH265SS.....	D-8	TN18-6.....	B-9
SWT21A18A.....	M-20	T10-10.....	B-5	TMH266.....	D-8	TN186BF.....	B-39
SWT21A18A75.....	M-21	T1010BF.....	B-37	TMH267.....	D-8	TN18-6F.....	B-29
SWT21A19A.....	M-20	T10-10F.....	B-27	TMH267SS.....	D-8	TN18-6G1.....	B-9
SWT21A19A75.....	M-21	T1010LF.....	B-32	TMH268.....	D-8	TN18-6LF.....	B-34
SWT21A20A.....	M-20	T10-12.....	B-5	TMH268SS.....	D-8	TN18-8.....	B-9
SWT22A18A.....	M-20	T10-14.....	B-5	TMH269.....	D-8	TN188BF.....	B-39
SWT22A18A75.....	M-21	T10-14F.....	B-27	TMH269SS.....	D-8	TN18-8F.....	B-29
SWT22A19A.....	M-20	T10-38.....	B-5	TMH270.....	D-8	TN18-8LF.....	B-34
SWT22A19A75.....	M-21	T10-516.....	B-5	TMH270SS.....	D-8	TN20-2F.....	B-29
SWT22A20A.....	M-20	T10-6.....	B-5	TMH271.....	D-8	TN20-6F.....	B-29
SWT22A20A75.....	M-21	T106BF.....	B-37	TMH271SS.....	D-8	TOOLBAGMDLI.....	N-16, N-17, N-19
SWT22A21A.....	M-20	T10-6F.....	B-27	TMH272.....	D-8	TP10-10.....	B-8, B-92
SWT22A22A.....	M-20	T106LF.....	B-32	TMH272SS.....	D-8	TP1010BF.....	B-38
SWT24A18A75.....	M-21	T10-8.....	B-5	TMH289.....	D-8	TP10-10F.....	B-28, B-92
SWT24A19A75.....	M-21	T108BF.....	B-37	TMH294.....	D-8	TP10-10LF.....	B-33
SWT24A20A.....	M-20	T10-8F.....	B-27	TMH294SS.....	D-8		

ALPHA-NUMERIC INDEX BY CATALOG NUMBER (Continued)

Catalog Number	Page #	Catalog Number	Page #	Catalog Number	Page #	Catalog Number	Page #
TP10-10Z	B-42	U25RTW	N-70, N-71	UB261	D-9	UCK-1UL	H-10
TP10-12	B-8	U26ART	N-70, N-71	UB262	D-9	UCK-2UL	H-10
TP10-14	B-8	U26RT	N-70, N-71	UB263	D-9	UCK-3UL	H-10
TP10-38	B-8	U26RTW	N-70, N-71	UB264	D-9	UCT26	H-18
TP10-516	B-8	U27ART	N-70, N-71	UB266	D-9	UCT26RS	H-17
TP10-6	B-8	U27RT	N-70, N-71	UB267	D-9	UCT32	H-18
TP106BF	B-38	U27RTW	N-70, N-71	UB268	D-9	UCT32RS	H-17
TP10-6F	B-28	U28ART	N-70, N-71	UB269	D-9	UCTCOVER	H-19
TP10-6LF	B-33	U28RT	N-70, N-71	UB271	D-9	UCU28AC	A-24
TP10-6Z	B-42	U28RTW	N-70, N-71	UB275	D-9	UDIEKITAL	N-59, N-71
TP10-8	B-8	U29ART	N-70, N-71	UB282	D-9	UDIEKITCU	N-59, N-71
TP108BF	B-38	U29RT	N-70, N-71	UB291	D-9	UDIEKITCUW	N-71
TP10-8F	B-28	U2CABT	N-70, N-71	UB293	D-9	UDIEKITHYGRD	N-71
TP10-8LF	B-33	U2CRT	N-70, N-71	UB294	D-9	UGS350ULDB	A-35
TP10-8Z	B-42	U2CRTW	N-70, N-71	UB300	D-9	UGSKIT2	A-34
TP14-10	B-8, B-92	U30ART	N-70, N-71	UB302	D-9	UGSKIT250	A-34
TP1410BF	B-38	U30RT	N-70, N-71	UB306	D-9	UGSKIT8	A-35
TP14-10F	B-28, B-92	U31ART	N-70, N-71	UB310	D-9	UH143	L-17
TP14-10LF	B-33	U31RT	N-70, N-71	UB311	D-9	UH153	L-17
TP14-10Z	B-42	U32ART	N-70, N-71	UB314	D-9	UH155	L-17
TP14-14	B-8	U32RT	N-70, N-71	UB315	D-9	UH163	L-17
TP14-2F	B-28	U34ART	N-70, N-71	UB317	D-9	UH165	L-17
TP14-2Z	B-42	U34RT	N-70, N-71	UB318	D-9	UH173	L-17
TP14-38	B-8	U36ART	N-70, N-71	UB319	D-9	UH175	L-17
TP14-4	B-8	U36RT	N-70, N-71	UB328	D-9	UH183	L-17
TP14-516	B-8	U38XRT	N-70	UB336	D-9	UH185	L-17
TP14-6	B-8	U39ART2	N-70, N-71	UB344	D-9	UH193	L-17
TP146BF	B-38	U39RT	N-70, N-71	UB354	D-9	UH195	L-17
TP14-6F	B-28	U3CRT	N-70	UB357	D-9	UH203	L-17
TP14-6LF	B-33	U3CRTW	N-70	UB358	D-9	UH205	L-17
TP14-6Z	B-42	U44XRT	N-70	UB383	D-9	UH225	L-17
TP14-8	B-8	U4CABT	N-70, N-71	UB384	D-9	UHG13A3CH	L-32
TP148BF	B-38	U4CRT	N-70, N-71	UB390	D-9	UHG14A-3	L-32
TP14-8F	B-28	U4CRTW	N-70, N-71	UB392	D-9	UHG14A3CH	L-32
TP14-8LF	B-33	U5CRT	N-70, N-71	UB399	D-9	UHG15A-3	L-32
TP14-8Z	B-42	U5CRTW	N-70, N-71	UB400	D-9	UHG15A3CH	L-32
TP16-10	B-8	U6CABT	N-70, N-71	UB416	D-9	UHG15A-5	L-32
TP1610BF	B-38	U8CABT	N-70	UB422	D-9	UHG15A5CH	L-32
TP16-10F	B-28	U8CRT	N-70	UB425	D-9	UHG16A3CH	L-32
TP16-10LF	B-33	U8CRTW	N-70, N-71	UB436	D-9	UHG16A5CH	L-32
TP16-10Z	B-42	U997	N-71	UB437	D-9	UHG17A-3	L-32
TP16-14	B-8	UB101	D-9	UB464	D-9	UHG17A3CH	L-32
TP16-2F	B-28	UB1027	D-9	UB540	D-9	UHG17A-5	L-32
TP16-2Z	B-42	UB1028	D-9	UC	N-71	UHG17A5CH	L-32
TP16-38	B-8	UB1029	D-9	UC25R2R	H-16	UHG18A-3	L-32
TP16-4	B-8	UB1030	D-9	UC25R2RS	H-16	UHG18A3CH	L-32
TP16-516	B-8	UB1031	D-9	UC2834	H-13	UHG18A-5	L-32
TP16-6	B-8	UB1032	D-9	UC28R	H-16	UHG18A5CH	L-32
TP166BF	B-38	UB1033	D-9	UC28RS	H-16	UHG19A-3	L-32
TP16-6F	B-28	UB104	D-9	UC2W28-L	H-10	UHG19A3CH	L-32
TP16-6LF	B-33	UB105	D-9	UC2W30	H-13	UHG19A5CH	L-32
TP16-6Z	B-42	UB106	D-9	UC3040	H-13	UHG20A3CH	L-32
TP16-8	B-8	UB107	D-9	UC32R	H-16	UHG20A-5	L-32
TP168BF	B-38	UB124	D-9	UC32RS	H-16	UHG20A5CH	L-32
TP16-8F	B-28	UB178	D-9	UC33R	H-16	UHG20A7CH	L-32
TP16-8LF	B-33	UB187	D-9	UC3444	H-13	UHG21A-3	L-32
TP16-8Z	B-42	UB199	D-9	UC4W28	H-13	UHG21A3CH	L-32
TSKD	N-116	UB204	D-9	UC4W28CONKIT	H-19	UHG21A5CH	L-32
TSSQ	N-116	UB222	D-9	UC6W25	H-13	UHG22A3CH	L-32
TTV10	B-75	UB224	D-9	UC6W25CONKIT	H-19	UHG22A-5	L-32
TTV14	B-75	UB230	D-9	UC8W26-L	H-10	UHG22A5CH	L-32
TTV18	B-75	UB232	D-9	UCCOVER1	H-19	UHG24A-3	L-32
U1011	N-71	UB236	D-9	UCG25R	H-16	UHG24A3CH	L-32
U1104	N-71	UB242	D-9	UCG25R2R	H-16	UHG24A-5	L-32
U1105	N-71	UB244	D-9	UCG25R2RS	H-16	UHG24A5CH	L-32
U1CART	N-70, N-71	UB249	D-9	UCG25RS	H-16	UHG83A5	L-32
U1CRT1	N-70, N-71	UB254	D-9	UCG28R	H-16	UHG86A5CH	L-32
U1CRT1W	N-70, N-71	UB257	D-9	UCG28RS	H-16	UHKR11A3	L-33
U25ART	N-70, N-71	UB258	D-9	UCG32R	H-16	UHKR11A5	L-33
U25RT	N-70, N-71	UB260	D-9	UCG32RS	H-16	UHKR13A3	L-33

ALPHA-NUMERIC INDEX BY CATALOG NUMBER (Continued)

Catalog Number	Page #	Catalog Number	Page #	Catalog Number	Page #	Catalog Number	Page #
UHKR13A5.....	L-33	VP4646.....	H-12	W245.....	N-73, N-74	WADRT2.....	J-16
UHKR14A3.....	L-33	VT2525.....	A-10, H-15,	W249.....	N-73, N-74	WADRT3.....	J-16
UHKR14A5.....	L-33		L-14	W25RT.....	N-73, N-74	WAS14A-2N.....	L-35
UHKR16A3.....	L-33	VT2825.....	A-10, H-15,	W25VT.....	N-73	WAS15A-2N.....	L-35
UHKR16A5.....	L-33		L-14	W26RT.....	N-73, N-74	WAS15A-34N.....	L-35
UHKR17A3.....	L-33	VT2828.....	A-10, H-15,	W26VT.....	N-73	WAS16A-2N.....	L-35
UHKR17A5.....	L-33		L-14	W27RT.....	N-73, N-74	WAS16A34N.....	L-35
UHR133.....	L-17	VT2C2C.....	A-10, H-15,	W27VT.....	N-73	WAS17A-2N.....	L-35
UHR135.....	L-17		L-14	W28K.....	N-15 - N-19,	WAS17A-34N.....	L-35
UHR153.....	L-17	VT3025.....	A-10, H-15		N-55, N-75	WAS18A-2N.....	L-35
UHR153SS.....	L-17	VT3028.....	L-14	W28RT.....	N-73, N-74	WAS18A-34N.....	L-35
UHR155.....	L-17	VT3030.....	A-10, H-15	W28VT.....	N-73	WAS18A44N.....	L-35
UHR173.....	L-17	VT3425.....	A-10, H-15	W29RT.....	N-73, N-74	WAS19A-2N.....	L-35
UHR175.....	L-17	VT3428.....	A-10, H-15	W29VT.....	N-73	WAS19A-34N.....	L-35
UHR183.....	L-17	VT3430.....	A-10, H-15	W2CRT.....	N-73, N-74	WAS19A-44N.....	L-35
UHR185.....	L-17	VT3434.....	A-10, H-15	W2CVT.....	N-73	WAS20A-2N.....	L-35
UM25N.....	N-72	VT4034.....	L-14	W30RT.....	N-73	WAS20A-34N.....	L-35
UM26N.....	N-72	VT4040.....	A-10, H-15	W30VT.....	N-73	WAS20A-44N.....	L-35
UM27N.....	N-72	VT4425.....	A-10, H-15	W31ART.....	N-73, N-74	WAS21A34N.....	L-35
UM28N.....	N-72	VT4428.....	A-10, H-15	W31RT.....	N-73, N-74	WAS22A34N.....	L-35
UM2CN.....	N-72	VT4430.....	L-14	W31VT.....	N-73	WAS22A-44N.....	L-35
UM30N.....	N-72	VT4434.....	L-14	W32RT.....	N-73	WASC15A2N.....	L-36
UM31N.....	N-72	VT4440.....	L-14	W32VT.....	N-73	WASC16A34N.....	L-36
UM33N.....	N-72	VT4444.....	L-14	W33RT.....	N-73	WASC17A2N.....	L-36
UM36N.....	N-72	VT4628.....	L-14	W33VT.....	N-73	WASC17A34N.....	L-36
UM4CN.....	N-72	VT4630.....	L-14	W34RT.....	N-73, N-74	WASC18A2N.....	L-36
UM6CN.....	N-72	VT4640.....	L-14	W34VT.....	N-73	WASC18A34N.....	L-36
UM8CN.....	N-72	VT4830.....	L-14	W36RT.....	N-73	WASC19A34N.....	L-36
UMA.....	N-72	VT4834.....	A-10, H-15	W3CRT.....	N-73, N-74	WASC19A44N.....	L-36
UMB.....	N-72	VT4840.....	L-14	W4CRT.....	N-73, N-74	WASC20A2N.....	L-36
UMC.....	N-72	VT4844.....	L-14	W4CVT.....	N-73	WASC20A34N.....	L-36
UMDIEKIT.....	N-72	VT4848.....	L-14	W5CRT.....	N-73, N-74	WASC20A44N.....	L-36
UME.....	N-72	VVA25.....	A-20, L-9	W5CVT.....	N-73	WASC21A34N.....	L-36
UO.....	N-71	VVA25-2.....	L-9	W660.....	N-73, N-74	WASC21A44N.....	L-36
UP34R.....	H-70	VVA28.....	A-20, L-9	W687.....	N-75	WASC22A34N.....	L-36
UP45R.....	H-70	VVA28-2N.....	A-20, L-9	W702.....	N-75	WASC22A44N.....	L-36
UP45R36R.....	H-70	VVA2C.....	A-20, L-9	W8CRT.....	N-73, N-74	WASC24A44N.....	L-36
UW25R.....	H-12	VVA30.....	A-20, L-9	W8CVT.....	N-73	WASC24A66N.....	L-36
UW2R.....	H-12	VVA30-2N.....	A-20, L-9	WABAG.....	J-15, N-108	WBG.....	N-56, N-57, N-75
VA25.....	A-20, L-8	VVA30-4N.....	L-9	WAD10-15.....	J-16	WBS10V.....	E-134, G-30
VA252.....	L-8	VVA34.....	A-20, L-9	WAD10-29.....	J-16	WBS12V.....	E-134, G-30
VA28.....	A-20, L-8	VVA34-2N.....	A-20, L-9	WAD10-35.....	J-16	WBS14V.....	E-134, G-30
VA28-2N.....	A-20, L-8	VVA34-4.....	L-9	WAD336-15.....	J-16	WBS20V.....	E-134, G-30
VA2C.....	A-20, L-8	VVA34-4N.....	A-20, L-9	WAD336-29.....	J-16	WBS24V.....	E-134
VA30.....	A-20, L-8	VVA40.....	A-20, L-9	WAD336-35.....	J-16	WBS30V.....	E-134
VA30-2N.....	A-20, L-8	VVA40-2N.....	A-20, L-9	WAD40-15.....	J-16	WBS36V.....	E-134
VA34.....	A-20, L-8	VVA40-4N.....	A-20, L-9	WAD40-29.....	J-16	WBS8V.....	E-134, G-30
VA34-2N.....	A-20, L-8	VVA40-4NCG1.....	L-9	WAD40-35.....	J-16	WCAB30R-2N.....	J-13
VA344.....	L-8	VVA44-2N.....	L-9	WAD477-15.....	J-16	WCAB30R-4N.....	J-13
VA34-4N.....	A-20	VVA44-4N.....	L-9	WAD477-29.....	J-16	WCAY39R-2N.....	J-13
VA40.....	A-20, L-8	VVA46-2N.....	L-9	WAD477-35.....	J-16	WCAY39R-4N.....	J-13
VA40-2N.....	A-20, L-8	VVA46-4NCG2.....	L-9	WAD556-15.....	J-16	WCAY49R-2N.....	J-13
VA404.....	L-8	VVA46-4NCG4.....	L-9	WAD556-29.....	J-16	WCAY49R-4N.....	J-13
VA40-4N.....	A-20, L-8	VVA48-2N.....	L-9	WAD556-35.....	J-16	WCB11PB.....	J-13
VA44.....	L-8	VYFT3428CCP.....	K-53	WAD795-15.....	J-16	WCB10.....	J-6
VA444.....	L-8	VYFT3428CCR.....	K-53	WAD795-29.....	J-16	WCB10C2.....	J-9, J-10
VA462N.....	L-8	VYFT3434CCP.....	K-53	WAD795-35.....	J-16	WCB11.....	J-6
VA4C.....	L-8	VYFT3434CCR.....	K-53	WADM33615.....	J-17	WCB12.....	J-6
VG1.....	H-9	VYFT3934CCP.....	K-53	WADM33629.....	J-17	WCB13.....	J-6
VG2.....	H-9	VYFT3934CCR.....	K-53	WADM33635.....	J-17	WCB14.....	J-6
VG3.....	H-9	VYFT4434CCP.....	K-53	WADM33635.....	J-17	WCB15.....	J-6
VG4.....	H-9	VYFT4434CCR.....	K-53	WADM336CON.....	J-17	WCB16.....	J-6
VG5.....	H-9	W161.....	N-73, N-74	WADM55615.....	J-17	WCB17.....	J-6
VP2828.....	H-12	W162.....	N-73, N-74	WADM55629.....	J-17	WCB18.....	J-6
VP3030.....	H-12	W163.....	N-73, N-74	WADM55635.....	J-17	WCB19.....	J-6
VP3430.....	H-12	W166.....	N-73, N-74	WADM556CON.....	J-17	WCB20.....	J-6
VP3434.....	H-12	W1CRT1.....	N-73, N-74	WADM79515.....	J-17	WCB20C.....	J-9, J-10
VP4030.....	H-12	W1CVT.....	N-73	WADM79529.....	J-17	WCB20C20.....	J-9, J-10
VP4040.....	H-12	W239.....	N-73, N-74	WADM79535.....	J-17	WCB21.....	J-6
VP4440.....	H-12	W241.....	N-73, N-74	WADM795CON.....	J-17		
				WADRT1.....	J-16		

ALPHA-NUMERIC INDEX BY CATALOG NUMBER (Continued)

Catalog Number	Page #	Catalog Number	Page #	Catalog Number	Page #	Catalog Number	Page #
WCB22	J-6	WCY124	J-8	WDA8300	N-26	WEEB-LUG-8.0AS	E-123
WCB23	J-6	WCY125	J-8	WDC4500	N-26	WEEB-LUG-8.0ASHS	E-124
WCB24	J-6	WCY126	J-8	WDIEKITAL	N-74	WEEB-LUG-8.0HS	E-124
WCB25	J-6	WCY127	J-8	WDIEKITCU	N-74	WEEB-LUG-8.0OUN	E-123
WCB250C2	J-9, J-10	WCY128	J-8	WDIETREE	N-14 - N-19, N-56 - N-58, N-73, N-75, N-80, N-82	WEEB-LUG-8.0UNHS	E-124
WCB250C20	J-9, J-10	WCY129	J-8			WEEB-LUG-8.2	E-123
WCB250C250	J-9, J-10	WCY130	J-8			WEEB-LUG-8.2HS	E-124
WCB26	J-6	WCY131	J-8	WEEB-11.5	E-127	WEEB-M-KR	E-125
WCB27	J-6	WCY132	J-8	WEEB-15.8	E-131	WEEB-MSNR516	E-125
WCB28	J-6	WCY133	J-8	WEEB-6.7	E-131	WEEB-OCR	E-129
WCB2C2	J-9, J-10	WCY134	J-8	WEEB-8.0	E-131	WEEB-OSF	E-129
WCB30C2	J-9, J-10	WCY135	J-8	WEEB-8.2	E-131	WEEB-PMC	E-130
WCB40	J-6	WCY136	J-8	WEEB-9.5	E-127	WEEB-RPR	E-130
WCB40C2	J-9, J-10	WCY137	J-8	WEEB-9.5NL	E-127	WEEB-SCR	E-130
WCB40C20	J-9, J-10	WCY138	J-8	WEEB-9.5ADC	E-128	WEEB-SMC-2	E-130
WCB40C40	J-9, J-10	WCY139	J-8	WEEB-ADC	E-128	WEEB-SSF	E-130
WCB41	J-6	WCY140	J-8	WEEB-ADR	E-128	WEEB-SSR	E-130
WCB42	J-6	WCY145	J-8	WEEB-ASR	E-128	WEEB-STC	E-130
WCB43	J-6	WCY48	J-6	WEEB-ATF	E-128	WEEB-UIR	E-127
WCB44	J-6	WCY49	J-6	WEEB-BMC	E-125	WEEB-UMC	E-130
WCB45	J-6	WCY50	J-6	WEEB-BMC-1	E-128	WEEB-WMC	E-130
WCB46	J-6	WCY51	J-6	WEEB-BMC2-14	E-121	WG19A	L-37
WCB47	J-6	WCY52	J-7	WEEB-BMC2-14BK	E-121	WG86A	L-37
WCB4C4	J-9, J-10	WCY53	J-7	WEEB-BMC2-14CL	E-121	WHHWB	J-14, N-108
WCBB30R-4N	J-13	WCY54	J-7	WEEB-BMC2-516	E-121	WHSCWH	J-14, N-109
WCBY39R-4N	J-13	WCY55	J-7	WEEB-BMC2-516BK	E-121	WHSGB	J-14, N-109
WCBY49R-4N	J-13	WCY56	J-7	WEEB-BMC2-516CL	E-121	WHSPBC	J-14, N-109
WCCB	J-5	WCY57	J-7	WEEB-BND.JMP6.7AS	E-118	WHSSADP	J-14, N-109
WCCLY	J-5	WCY58	J-7	WEEB-BND.JMP12	E-118	WHSTA	J-14, N-109
WCCR	J-5	WCY59	J-7	WEEB-BND.JMP12AS	E-118	WHSWB	J-14, N-109
WCCSY	J-5	WCY60	J-7	WEEB-BND.JMP18	E-118	WHSWHADP	J-14, N-109
WCHAWAS	J-14, N-109	WCY61	J-7	WEEB-BND.JMP18AS	E-118	WILEYBRAID10-12	E-120
WCR29	J-6	WCY62	J-7	WEEB-BND.JMP24	E-118	WILEYBRAID10-34	E-120
WCR30	J-6	WCY63	J-7	WEEB-BND.JMP24AS	E-118	WILEYBRAID10-916	E-120
WCR31	J-6	WCY64	J-7	WEEB-BND.JMP36	E-118	WILEYBRAID12	E-119
WCR32	J-6	WCY65	J-7	WEEB-BND.JMP36AS	E-118	WILEYBRAID12-12	E-120
WCR33	J-6	WCY66	J-7	WEEB-BND.JMP6.7	E-118	WILEYBRAID12-34	E-120
WCR34	J-6	WCY67	J-7	WEEB-BND.JMP8.0	E-118	WILEYBRAID12-38	E-119
WCR35	J-6	WCY68	J-7	WEEB-BND.JMP8.0AS	E-118	WILEYBRAID12-516	E-119
WCR36	J-6	WCY69	J-7	WEEB-BND.JMP8.2	E-118	WILEYBRAID12-916	E-120
WCR37	J-6	WCY70	J-7	WEEB-BND.JMP8.2MS	E-118	WILEYBRAID18	E-119
WCY53PB	J-13	WCY71	J-7	WEEB-BND.JMP9	E-118	WILEYBRAID18-12	E-120
WCY54PB	J-13	WCY72	J-7	WEEB-CCR	E-128	WILEYBRAID18-34	E-120
WCY63PB	J-13	WCY73	J-7	WEEB-CCR-2	E-128	WILEYBRAID18-38	E-119
WCY64PB	J-13	WCY74	J-7	WEEB-CMC	E-128	WILEYBRAID18-516	E-119
WCY65PB	J-13	WCY75	J-7	WEEB-DHF	E-128	WILEYBRAID18-916	E-120
WCY100	J-8	WCY76	J-7	WEEB-DMC	E-129	WILEYBRAID24	E-119
WCY101	J-8	WCY77	J-7	WEEB-DPF	E-129	WILEYBRAID24-12	E-120
WCY102	J-8	WCY78	J-7	WEEB-DPR	E-129	WILEYBRAID24-34	E-120
WCY103	J-8	WCY79	J-7	WEEB-DSK12	E-126	WILEYBRAID24-38	E-119
WCY104	J-8	WCY80	J-7	WEEB-DSK14	E-126	WILEYBRAID24-516	E-119
WCY105	J-8	WCY81	J-7	WEEB-DSK38	E-126	WILEYBRAID24-916	E-120
WCY106	J-8	WCY82	J-7	WEEB-DSK516	E-126	WILEYBRAID30	E-119
WCY107	J-8	WCY83	J-7	WEEB-DSK516-31	E-126	WILEYBRAID30-12	E-120
WCY108	J-8	WCY84	J-7	WEEB-DSK516-45	E-126	WILEYBRAID30-34	E-120
WCY109	J-8	WCY85	J-7	WEEB-DSKBD34	E-126	WILEYBRAID30-38	E-119
WCY110	J-8	WCY86	J-7	WEEB-ECR	E-129	WILEYBRAID30-516	E-119
WCY111	J-8	WCY87	J-7	WEEB-FBM14	E-127	WILEYBRAID30-916	E-120
WCY112	J-8	WCY88	J-7	WEEB-FBM516	E-127	WILEYBRAID36	E-119
WCY113	J-8	WCY89	J-7	WEEB-JJR	E-129	WILEYBRAID36-12	E-120
WCY114	J-8	WCY90	J-7	WEEB-KMC	E-129	WILEYBRAID36-34	E-120
WCY115	J-8	WCY91	J-7	WEEB-KSR	E-129	WILEYBRAID36-38	E-119
WCY116	J-8	WCY92	J-7	WEEB-LUG-10.3	E-123	WILEYBRAID36-516	E-119
WCY117	J-8	WCY93	J-7	WEEB-LUG-15.8	E-123	WILEYBRAID36-916	E-120
WCY118	J-8	WCY94	J-7	WEEB-LUG-15.8HS	E-124	WILEYBRAID6	E-119
WCY119	J-8	WCY95	J-7	WEEB-LUG-6.7	E-123	WILEYBRAID6-12	E-120
WCY120	J-8	WCY96	J-7	WEEB-LUG-6.7AS	E-123	WILEYBRAID6-34	E-120
WCY121	J-8	WCY97	J-7	WEEB-LUG-6.7ASHS	E-124	WILEYBRAID6-38	E-119
WCY122	J-8	WCY98	J-7	WEEB-LUG-6.7HS	E-124	WILEYBRAID6-516	E-119
WCY123	J-8	WCY99	J-7	WEEB-LUG-8.0	E-123	WILEYBRAID6-916	E-120

ALPHA-NUMERIC INDEX BY CATALOG NUMBER (Continued)

Catalog Number	Page #	Catalog Number	Page #	Catalog Number	Page #	Catalog Number	Page #
WILEYBRAID8-12.....	E-120	WSL10.....	J-11	WTRBKNHS.....	J-15, N-108	Y10AC9.....	N-93
WILEYBRAID8-34.....	E-120	WSL11.....	J-11	WTRBKNHSBAG.....	J-15, N-108	Y10AC9OEM.....	N-93
WILEYBRAID8-916.....	E-120	WSL12.....	J-11	WTRBWABAG.....	J-15, N-108	Y10D.....	N-39
WILEYBRAID9.....	E-119	WSL13.....	J-11	WTRBYK.....	J-15, N-108	Y10MRSA1.....	N-44
WILEYBRAID9-38.....	E-119	WSL14.....	J-11	WTRBYKNHS.....	J-15, N-108	Y-11.....	K-60
WILEYBRAID9-516.....	E-119	WSL2.....	J-11	WTRBYKNHSBAG.....	J-15, N-108	Y122CMR.....	N-49
WILEYLUG15.8.....	E-123	WSL3.....	J-11	WTRBYWABAG.....	J-15, N-108	Y122CMRCIKIT.....	N-50
WILEYLUG15.8HS.....	E-124	WSL4.....	J-11	WTY.....	J-15, N-108	Y122CMRKIT.....	N-50
WILEYLUG6.7.....	E-123	WSL5.....	J-11	WTYK.....	J-15, N-108	Y-15.....	K-60
WILEYLUG6.7HS.....	E-124	WSL6.....	J-11	WTYKNHS.....	J-15, N-108	Y1MRKIT.....	N-48
WILEYLUG8.0.....	E-123	WSL7.....	J-11	WTYKNHSBAG.....	J-15, N-108	Y1MRTC.....	N-48
WILEYLUG8.0HS.....	E-124	WSL8.....	J-11	WTYWABAG.....	J-15, N-108	Y1MRTCKIT.....	N-48
WILEYLUG8.2.....	E-123	WSL9.....	J-11	X1CART.....	N-55	Y-22.5.....	K-60
WILEYLUG8.2HS.....	E-124	WSLB15A.....	M-15	X1CRT.....	N-55	Y-25.....	K-60
WIPC14-1.....	E-135	WSLB16A.....	M-15	X25ART.....	N-55	Y281CR.....	C-148
WIPC14-112.....	E-135	WSLB17A.....	M-15	X25RT.....	N-55	Y2825R.....	C-148
WIPC14-12.....	E-135	WSLB18A.....	M-15	X26ART.....	N-55	Y2826R.....	C-148
WIPC14-14.....	E-135	WSLB19A.....	M-15	X26RT.....	N-55	Y2827R.....	C-148
WIPC14-34.....	E-135	WSLB20A.....	M-15	X27ART.....	N-55	Y282CR.....	C-148
WIREMIKE.....	F-16, N-105	WSLB21A.....	M-15	X27RT.....	N-55	Y284CR.....	C-148
WIREMIKECI.....	F-16, N-105	WSLB22A.....	M-15	X28ART.....	N-55	Y284WR.....	C-148
WIREMIKED.....	F-16, N-105	WSLB24A.....	M-15	X28RT.....	N-55	Y286CR.....	C-148
WS12-3.....	E-135	WSLB55A.....	M-15	X29RT.....	N-55	Y2928R.....	C-148
WS8-2.....	E-135	WSLB56A.....	M-15	X2CART.....	N-55	Y29BH.....	N-38
WLB15A.....	M-28	WSLB57A.....	M-15	X2CRT.....	N-55	Y29PL.....	N-38
WLB16A.....	M-28	WSLB58A.....	M-15	X4CART.....	N-55	Y29PLE.....	N-38
WLB17A.....	M-28	WSLB59A.....	M-15	X4CRT.....	N-55	Y29PLE1.....	N-38
WLB18A.....	M-28	WSLB86A.....	M-15	X5CRT.....	N-55	Y2CNC.....	N-62
WLB19A.....	M-28	WSLB90A.....	M-15	X6CART.....	N-55	Y3025R.....	C-148
WLB20A.....	M-28	WSLB91A.....	M-15	X8CART.....	N-55, N-73,	Y3026R.....	C-148
WLB21A.....	M-28	WSLB92A.....	M-15		N-74	Y3027R.....	C-148
WLB22A.....	M-28	WSLB94A.....	M-15	X8CRT.....	N-55	Y3028R.....	C-148
WLB24A.....	M-28	WSLB96A.....	M-15	XA132N.....	L-10	Y302CR.....	C-148
WLB55A.....	M-28	WSM1.....	J-11	XA142N.....	L-10	Y304CR.....	C-148
WLB56A.....	M-28	WSM10.....	J-11	XA144N.....	L-10	Y3126R.....	C-148
WLB57A.....	M-28	WSM11.....	J-11	XA152N.....	L-10	Y3128R.....	C-148
WLB58A.....	M-28	WSM2.....	J-11	XA154N.....	L-10	Y3129R.....	C-148
WLB59A.....	M-28	WSM3.....	J-11	XA15A-4N.....	L-29	Y3425R.....	C-148
WLB86A.....	M-28	WSM4.....	J-11	XA162N.....	L-10	Y3426R.....	C-148
WLB90A.....	M-28	WSM5.....	J-11	XA164N.....	L-10	Y3427R.....	C-148
WLB91A.....	M-28	WSM6.....	J-11	XA16A-4N.....	L-29	Y3428R.....	C-148
WLB92A.....	M-28	WSM7.....	J-11	XA172N.....	L-10	Y3429R.....	C-148
WLB94A.....	M-28	WSM8.....	J-11	XA174N.....	L-10	Y342CR.....	C-148
WLB96A.....	M-28	WSM9.....	J-11	XA184N.....	L-10	Y3430R.....	C-148
WO.....	N-56, N-57	WSS1.....	J-11	XA18A-4N.....	L-29	Y3431R.....	C-148
WPBBNBOX25.....	J-5, N-107	WSS2.....	J-11	XA194N.....	L-10	Y3432R.....	C-148
WPBRNBOX25.....	J-5, N-107	WT2B2RBYK.....	J-15	XA19A-4N.....	L-29	Y34BH.....	N-37
WPBYNBOX25.....	J-5, N-107	WT2B2RBYWABAG.....	J-15, N-108	XA204N.....	L-10	Y34BH1.....	N-37
WS14A.....	M-16	WT2BRBYK.....	J-15, N-108	XA20A-4N.....	L-29	Y34PA.....	N-37
WS15A.....	M-16	WT2BRBYWABAG.....	J-15, N-108	XA214N.....	L-10	Y34PR.....	N-37
WS16A.....	M-16	WTB.....	J-12, J-15, N-107, N-108	XA21A-4N.....	L-29	Y34PR11.....	N-37
WS17A.....	M-16			XA224N.....	L-10	Y34PR5.....	N-37
WS18A.....	M-16	WTBASY.....	N-107	XA22A-4N.....	L-29	Y35.....	N-21
WS19A.....	M-16	WTBASY1.....	J-12	XA24A-4N.....	L-29	Y35/Y39REPKITA.....	N-21, N-22, N-103
WS20A.....	M-16	WTBGBW.....	J-15, N-108	XA574N.....	L-10	Y352.....	N-21
WS21A.....	M-16	WTBGBWRBYK.....	J-15, N-108	XA594N.....	L-10	Y35B.....	N-32
WS22A.....	M-16	WTBNHS.....	J-15, N-108	XOH25.....	N-55	Y35BH.....	N-32
WS24A.....	M-16	WTCC.....	J-15, N-108	XP1313.....	L-16	Y35BH4.....	N-32
WS58A.....	M-16	WTCK.....	J-12, J-15, N-107, N-108	XP1414.....	L-16	Y35H.....	N-32
WS59A.....	M-16			XP1515.....	L-16	Y-37.5.....	K-60
WS86A.....	M-16	WTHRB1S.....	J-12, J-15, N-107, N-108	XP1616.....	L-16	Y39.....	N-22
WS90A.....	M-16			XP1717.....	L-16	Y3934R.....	C-148
WS91A.....	M-16	WTHY1S.....	J-12, J-15, N-107, N-108	XP1818.....	L-16	Y3936R.....	C-148
WS92A.....	M-16			XP1919.....	L-16	Y39BH.....	N-33
WS94A.....	M-16	WTOCBR.....	J-12, J-15, N-107, N-108	XP1919HC.....	L-16	Y4439R.....	C-148
WS96A.....	M-16			XP2020.....	L-16	Y45.....	N-30
WSBC128A.....	M-30	WTOCY.....	J-12, J-15, N-107, N-108	XP2121.....	L-16	Y46CLWSBHF.....	N-28
WSBC74A.....	M-30			XP2222.....	L-16	Y46LWBH.....	N-29
WSBC83A.....	M-30	WTRB.....	J-15, N-108	XP5656.....	L-16	Y46LWBHF.....	N-29
WSL1.....	J-11	WTRBK.....	J-15, N-108	Y1022.....	N-39		

ALPHA-NUMERIC INDEX BY CATALOG NUMBER (Continued)

Catalog Number	Page #	Catalog Number	Page #	Catalog Number	Page #	Catalog Number	Page #
Y46LWSBH.....	N-28	YA252NT14.....	C-39	YA26LNT14.....	C-17	YA292N.....	C-35
Y46LWSBHF.....	N-28	YA252NT14E1.....	C-39	YA26LNT38.....	C-17	YA292NNT.....	C-39
Y46OEM11T.....	N-60	YA252NT38.....	C-39	YA26LNT516.....	C-17	YA292NT14.....	C-39
Y46OEM11TKIT.....	N-60	YA252NTC38.....	C-35	YA26N.....	C-21	YA292NT38.....	C-39
Y46OEM12T.....	N-59	YA252NU.....	C-97	YA26TC14.....	C-21	YA292NT38E16.....	C-39
Y46OEM12TKIT.....	N-59	YA252TC14.....	C-35	YA26TC516.....	C-21	YA292NT516.....	C-39
Y46OEM12TKIT1.....	N-59	YA252TC14E2.....	C-35	YA27.....	C-21	YA292NU.....	C-97
Y46OEM12TKIT1FC.....	N-59	YA252TC38.....	C-35	YA27-2LN.....	C-29	YA292TC38.....	C-35
Y46OEM12TKITFC.....	N-59	YA252TC516.....	C-35	YA272N.....	C-35	YA292TC58E16.....	C-35
Y46OEMGUARD.....	N-59, N-60	YA25A1.....	C-200	YA272NT14.....	C-39	YA29A1.....	C-200
Y46OEMLOCATOR.....	N-59, N-60	YA25A1S60T516E.....	C-109	YA272NT38.....	C-39	YA29A3.....	C-203
Y4PC834.....	N-25	YA25A3.....	C-200	YA272NT516.....	C-39	YA29A5.....	C-203
Y4PC834MBH.....	N-36	YA25A3N69T38E.....	C-109	YA272NU.....	C-97	YA29A9.....	C-200
Y-50.....	K-60	YA25A5.....	C-203	YA272TC14E2.....	C-35	YA29L2.....	C-13
Y500CTHS.....	N-26	YA25A7.....	C-203	YA272TC38.....	C-35	YA29L2NT38.....	C-32
Y60LW.....	N-27	YA25A9.....	C-200	YA27A1.....	C-200	YA29L2NT38E16.....	C-32
Y60LWCASE.....	N-27	YA25L2-BOX.....	C-13	YA27A10S76T516E.....	C-110	YA29L-2TC38.....	C-29
Y60LWSTAND.....	N-27	YA25L2NT14.....	C-32	YA27A3.....	C-200	YA29L4.....	C-13
Y644HSCASE.....	N-23	YA25L2NT14E1.....	C-32	YA27A5.....	C-203	YA29L4TCG1.....	C-106
Y644HSXT.....	N-23	YA25L-2TC14.....	C-29	YA27A7.....	C-203	YA29L7.....	C-13
Y644MBH.....	N-34	YA25L-2TC14E1.....	C-29	YA27L2NT14.....	C-32	YA29L-BOX.....	C-13
Y6NCP1.....	N-62	YA25L-2TC14E2.....	C-29	YA27L2NT38.....	C-32	YA29LENT38.....	C-18
Y6NCP1BMNT.....	N-62, N-63	YA25L-2TC38.....	C-29	YA27L2NT516.....	C-32	YA29LENT516.....	C-18
Y6NCP1FTSW.....	N-62, N-63	YA25L4-BOX.....	C-13	YA27L-2TC14E2.....	C-29	YA29LNT38.....	C-18
Y6NCP1SD.....	N-63	YA25L4TCG1.....	C-106	YA27L-2TC38.....	C-29	YA29LTC78.....	C-13
Y-7.5.....	K-60	YA25L6-BOX.....	C-13	YA27L3.....	C-13	YA2C.....	C-20
Y750BHXT.....	N-31	YA25-LB.....	C-59	YA27L4-BOX.....	C-13	YA2C-2L.....	C-29
Y750CBHXT.....	N-31	YA25L-BOX.....	C-13	YA27L4TCG1.....	C-106	YA2C-2LN.....	C-29
Y750CHSXT.....	N-20	YA25LN50T14E.....	C-109	YA27-LB.....	C-59	YA2C2N.....	C-34
Y750HSXT.....	N-20	YA25LN64T516E.....	C-109	YA27L-BOX.....	C-13	YA2C2NT14.....	C-38
Y7AC9.....	N-60	YA25LNT10.....	C-17	YA27LNT14.....	C-17	YA2C2NT14E1.....	C-38
Y81KFT.....	N-24	YA25LNT14.....	C-17	YA27LNT38.....	C-17	YA2C2NT14E2.....	C-38
Y81KFTMBH.....	N-35	YA25LNT38.....	C-17	YA27LNT516.....	C-17	YA2C2NTC38.....	C-34
Y8AC9.....	N-59	YA25LNT516.....	C-17	YA28.....	C-21	YA2C2NU.....	C-97
Y8MRB1.....	N-42	YA25N.....	C-21	YA28-2LH114.....	H-42	YA2C2TC14.....	C-34
YA10A-TN.....	C-200	YA25TC10.....	C-21	YA28-2LH115.....	H-42	YA2C2TC14E2.....	C-34
YA12A-TN.....	C-200	YA25TC38.....	C-21	YA28-2LN.....	C-29	YA2C2TC38.....	C-34
YA15ALKIT.....	C-95	YA26.....	C-21	YA282N.....	C-35	YA2C2TC38E2.....	C-34
YA1C.....	C-20	YA26-2L.....	C-29	YA282NT14.....	C-39	YA2C2TC38E6.....	C-34
YA1C-2L.....	C-29	YA26-2LH89.....	H-42	YA282NT38.....	C-39	YA2C2TC38SL.....	C-101
YA1C-2LN.....	C-29	YA26-2LN.....	C-29	YA282NT516.....	C-39	YA2C2TC38SLBOX500.....	C-101
YA1C2N.....	C-34, C-38	YA262N.....	C-35	YA282NTC38.....	C-35	YA2C2TC516E2.....	C-34
YA1C2NT10.....	C-38	YA262NT14.....	C-39	YA282NU.....	C-97	YA2CA1.....	C-200
YA1C2NT14.....	C-38	YA262NT14E1.....	C-39	YA282TC14E2.....	C-35	YA2CA1S91T516E.....	C-109
YA1C2NT14E2.....	C-38	YA262NT38.....	C-39	YA282TC38.....	C-35	YA2CA3.....	C-200
YA1C2NU.....	C-97	YA262NT516.....	C-39	YA28A1.....	C-200	YA2CA5.....	C-200
YA1C2TC14.....	C-34	YA262NU.....	C-97	YA28A14N100T516E.....	C-110	YA2CA5S53T14E.....	C-109
YA1C2TC14E2.....	C-34	YA262TC14.....	C-35	YA28A1N100T38E.....	C-110	YA2CA9.....	C-203
YA1C2TC38.....	C-34, C-38	YA262TC14E2.....	C-35	YA28A3.....	C-200	YA2CL2-BOX.....	C-13
YA1CA1.....	C-200	YA262TC38.....	C-35	YA28A5.....	C-203	YA2CL2NT14.....	C-32
YA1CL2.....	C-13	YA26A1.....	C-200	YA28A7.....	C-203	YA2CL2NT14E1.....	C-32
YA1CL-2NT14.....	C-32	YA26A13N100T516E.....	C-110	YA28L2.....	C-13	YA2CL2NT14E2.....	C-32
YA1CL2NT14E2.....	C-32	YA26A3.....	C-203	YA28L2NT14.....	C-32	YA2CL-2TC14.....	C-29
YA1CL-2TC14.....	C-29	YA26A5.....	C-203	YA28L2NTC516.....	C-29	YA2CL-2TC14E1.....	C-29
YA1CL-2TC14E2.....	C-29	YA26A6.....	C-200	YA28L-2TC14E1.....	C-29	YA2CL-2TC14E2.....	C-29
YA1CL-2TC38.....	C-29	YA26A6N100T38E.....	C-110	YA28L-2TC14E2.....	C-29	YA2CL-2TC38.....	C-29
YA1CL4-BOX.....	C-13	YA26L2-BOX.....	C-13	YA28L-2TC38.....	C-29	YA2CL-2TC516.....	C-29
YA1CL6-BOX.....	C-13	YA26L2NT14.....	C-32	YA28L-2TC38E2.....	C-29	YA2CL4-BOX.....	C-13
YA1C-LB.....	C-59	YA26L2NT14E1.....	C-32	YA28L3.....	C-13	YA2CL6-BOX.....	C-13
YA1CL-BOX.....	C-13	YA26L-2TC14.....	C-29	YA28L4-BOX.....	C-13	YA2C-LB.....	C-59
YA1CLNT10.....	C-17	YA26L-2TC14E1.....	C-29	YA28L4TCG1.....	C-106	YA2CL-BOX.....	C-13
YA1CLNT14.....	C-17	YA26L-2TC14E2.....	C-29	YA28L56.....	C-13	YA2CLNT10.....	C-17
YA1CN.....	C-20	YA26L-2TC38.....	C-29	YA28L-BOX.....	C-13	YA2CLNT14.....	C-17
YA1CTC10.....	C-20	YA26L4TCG1.....	C-106	YA28LNT14.....	C-17	YA2CLNT516.....	C-17
YA1CTC14.....	C-20	YA26L60.....	C-13	YA28LNT38.....	C-17	YA2CN.....	C-20
YA1CTC38.....	C-20	YA26L6-BOX.....	C-13	YA28LNT516.....	C-17	YA2CTC10.....	C-20
YA25.....	C-21	YA26-LB.....	C-59	YA28TC38.....	C-21	YA2CTC14.....	C-20
YA25-2L.....	C-29	YA26L-BOX.....	C-13	YA29.....	C-21	YA2CTC38.....	C-20
YA25-2LN.....	C-29	YA26LN50T14E.....	C-109	YA29-2LH91.....	H-42	YA30.....	C-21
YA252N.....	C-35	YA26LNT10.....	C-17	YA29-2LN.....	C-29	YA30-2LH85.....	H-42

ALPHA-NUMERIC INDEX BY CATALOG NUMBER (Continued)

Catalog Number	Page #	Catalog Number	Page #	Catalog Number	Page #	Catalog Number	Page #
YA30-2LN	C-30	YA31L-TC14-FX	C-50	YA34L20	C-14	YA38	C-22
YA302N	C-35	YA31L-TC34-FX	C-50	YA34L2NT12E1	C-32	YA382-FXBG2	C-80
YA302N-FXB	C-79	YA31L-TC38-FX	C-50	YA34L2NT38	C-32	YA382-FXBG3	C-80
YA302NT38	C-39	YA31L-TC516-FX	C-50	YA34L2NT38E16	C-32	YA38-2L	C-30
YA302NU	C-97	YA31L-TC58-FX	C-50	YA34L2NT38FX	C-72	YA38-2LN	C-30
YA302TC38	C-35	YA31-TC12-FXB	C-65	YA34-L2NTC38-FX	C-69	YA382N	C-36
YA30A1	C-200	YA32	C-21	YA34-L2NTC-FX	C-69	YA382N-FXB	C-80
YA30A1N131T12E	C-110	YA32-2L	C-30	YA34L-2TC12	C-30	YA382TC38	C-36
YA30A3	C-203	YA32-2LN	C-30	YA34-L2TC12-FX	C-69	YA382TC38-FXB	C-80
YA30A5	C-203	YA322N	C-35	YA34L-2TC14E2	C-30	YA38L	C-15
YA30A6	C-200	YA322N-FXB	C-79	YA34L-2TC38	C-30	YA38L2ENT38FX	C-72
YA30A6N100T38E	C-110	YA322NNT	C-40	YA34-L2TC38-FX	C-69	YA38L2NNTFX	C-72
YA30A9N100T516E	C-110	YA322NT38	C-40	YA34-L2TC516-FX	C-69	YA38L2NT38FX	C-72
YA30L	C-14	YA322NU	C-97	YA34L6	C-14	YA38-L2NTC-FX	C-69
YA30L1	C-14	YA322TC38	C-35	YA34L6N131T12E	C-109	YA38L-2TC12	C-30
YA30L24	C-14	YA322TC38-FXB	C-79	YA34L8	C-14	YA38-L2TC12-FX	C-69
YA30L24N100T38E	C-109	YA32A1	C-200	YA34L9	C-14	YA38L-2TC38	C-30
YA30L27	C-14	YA32A3	C-200, C-203	YA34LNT12	C-18	YA38-L2TC38-FX	C-69
YA30L28	C-14	YA32A5	C-203	YA34LNT38	C-18	YA38-L2TC516-FX	C-69
YA30-L2NTC-FX	C-68	YA32A8N106T516E	C-110	YA34LNTM20FX	C-54	YA38LNT12FX	C-54
YA30L-2TC-38	C-30	YA32A9	C-200	YA38LNTM20FX	C-54	YA38LNTM20FX	C-54
YA30-L2TC38-FX	C-68	YA32L	C-14	YA38L-TC12-FX	C-51	YA38L-TC12-FX	C-51
YA30L2TC516FX	C-68	YA32L1	C-14	YA38L-TC38-FX	C-51	YA38L-TC38-FX	C-51
YA30L7	C-14	YA32L14	C-14	YA38L-TC516-FX	C-51	YA38L-TC516-FX	C-51
YA30LN	C-14	YA32L2NT38FX	C-72	YA38L-TC58-FX	C-51	YA38L-TC58-FX	C-51
YA30LNT14	C-18	YA32-L2NTC-FX	C-68	YA38N	C-22	YA38N	C-22
YA30LNT38	C-18	YA32L-2TC38	C-30	YA38TC12FXB	C-65	YA38TC12FXB	C-65
YA30LNT516FX	C-53	YA32L-2TC38E5	C-30	YA38-TC58-FXB	C-65	YA38-TC58-FXB	C-65
YA30L-TC12-FX	C-50	YA32-L2TC38-FX	C-68	YA39	C-22	YA39	C-22
YA30L-TC34-FX	C-50	YA32LN	C-14	YA392ENNT	C-36, C-40	YA392ENNT	C-36, C-40
YA30L-TC38-FX	C-50	YA32LNT12	C-18	YA39-2L	C-30	YA39-2L	C-30
YA30L-TC516-FX	C-50	YA32LNT38	C-18	YA392LN	C-30	YA392LN	C-30
YA30L-TC58-FX	C-50	YA32LNT38FX	C-53	YA392LNN131T12E	C-109	YA392LNN131T12E	C-109
YA30N	C-21	YA32LNT516FX	C-53	YA392N	C-36	YA392N	C-36
YA30-TC12-FXB	C-65	YA32L-TC100-FX	C-50	YA392NNT	C-40	YA392NNT	C-40
YA31	C-21	YA32L-TC12-FX	C-50	YA392NT38	C-36, C-40	YA392NT38	C-36, C-40
YA31-2LH90	H-42	YA32L-TC38-FX	C-50	YA392NT38E16	C-40	YA392NT38E16	C-40
YA31-2LN	C-30	YA32L-TC58-FX	C-50	YA392NT58	C-40	YA392NT58	C-40
YA312N	C-35	YA32LTC78	C-14	YA392NU	C-98	YA392NU	C-98
YA312N-FXB	C-79	YA32N	C-21	YA392TC38	C-36	YA392TC38	C-36
YA312NT38	C-40	YA32-TC12-FXB	C-65	YA39A1	C-201	YA39A1	C-201
YA312NT38E16	C-40	YA33	C-22	YA39A1N131TD12E	C-110	YA39A1N131TD12E	C-110
YA312NU	C-97	YA33-2LN	C-30	YA39A3	C-201	YA39A3	C-201
YA312TC14E2	C-35	YA332N	C-35	YA39A4	C-201	YA39A4	C-201
YA312TC38	C-35	YA33L	C-14	YA39A5	C-204	YA39A5	C-204
YA312TC38-FXB	C-79	YA33N	C-22	YA39A5N131TD12E	C-110	YA39A5N131TD12E	C-110
YA31A1	C-200	YA34	C-22	YA39A7	C-204	YA39A7	C-204
YA31A1N100T516E	C-110	YA34-2L	C-30	YA39AM2	C-204	YA39AM2	C-204
YA31A3	C-203	YA34-2LH110	H-42	YA39L	C-15	YA39L	C-15
YA31A5	C-203	YA34-2LH111	H-42	YA39L2	C-15	YA39L2	C-15
YA31A9N100T38E	C-110	YA34-2LN	C-30	YA39L2ENT38E10FX	C-72	YA39L2ENT38E10FX	C-72
YA31L	C-14	YA342LNN119T12E	C-109	YA39L2NT12E1	C-32	YA39L2NT12E1	C-32
YA31L11	C-14	YA342LNN131T12E	C-109	YA39L2NT38	C-32	YA39L2NT38	C-32
YA31L2NT38	C-32	YA342N	C-35	YA39L2NT38E16	C-32	YA39L2NT38E16	C-32
YA31L2NT38E16	C-32	YA342N-FXB	C-79	YA39-L2NTC-FX	C-69	YA39-L2NTC-FX	C-69
YA31L2NT38FX	C-71	YA342NNT	C-40	YA39L-2TC12E3	C-30	YA39L-2TC12E3	C-30
YA31L-2NTC516	C-30	YA342NT38	C-40	YA39L-2TC38	C-30	YA39L-2TC38	C-30
YA31-L2NTC-FX	C-68	YA342NT38E16	C-40	YA39L2TC38E10FX	C-69	YA39L2TC38E10FX	C-69
YA31L-2TC12	C-30	YA342NT58	C-40	YA39L-2TC58	C-30	YA39L-2TC58	C-30
YA31-L2TC12-FX	C-68	YA342NU	C-97	YA39L6	C-15	YA39L6	C-15
YA31L-2TC14E2	C-30	YA342TC14E2	C-35	YA39L6N131T12E	C-109	YA39L6N131T12E	C-109
YA31L-2TC38	C-30	YA342TC38	C-35	YA39L9	C-15	YA39L9	C-15
YA31-L2TC38-FX	C-68	YA342TC38-FXB	C-79	YA39LNT12	C-18	YA39LNT12	C-18
YA31L36	C-14	YA34A1	C-200	YA39LNT38	C-18	YA39LNT38	C-18
YA31L4TCG1	C-106	YA34A3	C-203	YA39LNT58	C-18	YA39LNT58	C-18
YA31L7	C-14	YA34A3N131T12E	C-110	YA39N	C-22	YA39N	C-22
YA31LNT12	C-18	YA34A5	C-203	YA37-2L	C-30	YA37-2L	C-30
YA31L-NT12-FX	C-50, C-53	YA34A7N131T12E	C-110	YA37-2LN	C-30	YA37-2LN	C-30
YA31LNT38	C-18	YA34A8N131T38E	C-110	YA372N	C-36	YA372N	C-36
YA31L-TC12-FX	C-50	YA34L	C-14	YA37L	C-15	YA37L	C-15
				YA37L1	C-15	YA37L1	C-15
				YA37N	C-22	YA37N	C-22

ALPHA-NUMERIC INDEX BY CATALOG NUMBER (Continued)

Catalog Number	Page #	Catalog Number	Page #	Catalog Number	Page #	Catalog Number	Page #
YA3C2TC14E2	C-34	YA44L-TC58-FX	C-51	YA5C-LB	C-59	YA-A-KIT1	C-205
YA3C2TC38	C-34	YA44N	C-22	YA5CN	C-20	YA-AKIT2	C-205
YA3C2TC38E2	C-34	YA44-TC58-FXB	C-65	YA5CTC14FXB	C-64	YA-AKIT3	C-205
YA3C2TC38-FXB	C-78	YA45	C-22	YA6C	C-20	YAB25-2LH70	H-42
YA3C2TC38SL	C-101	YA452N	C-36	YA6C-2L	C-28	YAB25-2LH71	H-42
YA3C2TC38SLBOX500	C-101	YA452NU	C-98	YA6C-2L51	C-28	YAB2C-2LH74	H-42
YA3C2TC516-FXB	C-78	YA4532N	C-36	YA6C-2L52	C-28	YAB2C2LH75	H-42
YA3CL	C-12	YA453LBOX	C-15	YA6C2LN	C-28	YAB344N	C-46
YA3CL-2TC14	C-29	YA454N	C-46	YA6C2N	C-34	YAB364N	C-46
YA3CL-2TC38	C-29	YA454NU	C-98	YA6C2NT8	C-38	YAB394N	C-46
YA3C-LB	C-59	YA45A5	C-204	YA6C2NU	C-96	YAB4C-2LH72	H-42
YA3CLNT14	C-17	YA45L	C-15	YA6C2TC14	C-34	YACCASE	N-93
YA3CLNT516	C-17	YA45L2NT38FX	C-72	YA6C2TC14E1	C-34	YACFC	N-59, N-93
YA3CN	C-20	YA46	C-22	YA6C2TC14E2	C-34	YAD10-10	B-5
YA3CTC14	C-20	YA462N	C-36	YA6C2TC38	C-34	YAD1010F	B-27
YA3CTC38	C-20	YA462N-FXB	C-80	YA6C2TC38E2	C-34	YAD10-14	B-5
YA40	C-22	YA462NU	C-98	YA6C2TC38E6	C-34	YAD1014F	B-27
YA40-2L	C-30	YA464N	C-46	YA6C2TC38SL	C-101	YAD10-14M	B-5
YA40-2LN	C-30	YA464NU	C-98	YA6C2TC38SLBOX500	C-101	YAD10-38	B-5
YA402N	C-36	YA46A3	C-204	YA6CA1	C-200	YAD10-38M	B-5
YA402N-FXB	C-80	YA46A5	C-204	YA6CA3	C-200	YAD10-516	B-5
YA402NU	C-98	YA46L	C-15	YA6CL1-BOX	C-12	YAD10-516M	B-5
YA40L	C-15	YA46N	C-22	YA6CL-2TC10	C-28	YAD10-6	B-5
YA40L2NNTFX	C-72	YA46-TC58-FXB	C-65	YA6CL-2TC14	C-28	YAD106F	B-27
YA40-L2NTC-FX	C-69	YA47	C-22	YA6CL-2TC14E	C-28	YAD10-8	B-5
YA40L-2TC38	C-30	YA472N	C-36	YA6CL-2TC14E1	C-28	YAD108F	B-27
YA40-L2TC38-FX	C-69	YA472NU	C-98	YA6CL-2TC14E2	C-28	YAD10-8M	B-5
YA40LENT12FX	C-54	YA474N	C-46	YA6CL2TC14E2SL	C-100	YAD14-10	B-5
YA40L-TC12-FX	C-51	YA47N	C-22	YA6CL-2TC38	C-28	YAD1410F	B-27
YA40L-TC38-FX	C-51	YA48	C-22	YA6CL-2TC516	C-28	YAD14-10M	B-5
YA40L-TC516-FX	C-51	YA482N	C-36	YA6CL-2TC516E2	C-28	YAD14-14	B-5
YA40L-TC58-FX	C-51	YA482NU	C-98	YA6CL3-BOX	C-12	YAD1414F	B-27
YA40-TC58-FXB	C-65	YA484N	C-46	YA6CL4-BOX	C-12	YAD14-14M	B-5
YA41	C-22	YA4864N	C-46	YA6CL-6	C-12	YAD14-38	B-5
YA41-2L	C-30	YA48A3	C-204	YA6CL-BOX	C-12	YAD14-38M	B-5
YA412N	C-36	YA48L	C-15	YA6CLNT6	C-17	YAD14-4	B-5
YA41L	C-15	YA48N	C-22	YA6CN	C-20	YAD14-516	B-5
YA41N	C-22	YA4C	C-20	YA6CTC10	C-20	YAD14-6	B-5
YA42A1	C-201	YA4C-2L	C-28	YA6CTC38	C-20	YAD146F	B-27
YA42A3	C-201	YA4C-2LN	C-28	YA6CTC516	C-20	YAD14-6M	B-5
YA42A5	C-204	YA4C2N	C-34	YA6CTC8	C-20	YAD14-8	B-5
YA42A7	C-204	YA4C2NT10	C-38	YA8C-2LN	C-28	YAD148F	B-27
YA44	C-22	YA4C2NT14	C-38	YA8C2NT8	C-38	YAD14-8M	B-5
YA44-2L	C-30	YA4C2NU	C-96	YA8C2NU	C-96	YAD18-10	B-5
YA44-2LN	C-30	YA4C2TC14	C-34	YA8C2TC14	C-34	YAD1810F	B-27
YA442N	C-36	YA4C2TC14E2	C-34	YA8C2TC14E2	C-34	YAD18-10M	B-5
YA442N-FXB	C-80	YA4C2TC38	C-34	YA8C2TC14E2-FXB	C-78	YAD18-14	B-5
YA442NU	C-98	YA4CA1	C-200	YA8C2TC38	C-34	YAD1814F	B-27
YA442TC38	C-36	YA4CA3	C-200	YA8C2TC38-FXB	C-78	YAD18-14M	B-5
YA442TC38-FXB	C-80	YA4CA6	C-200	YA8CA1	C-200	YAD18-38	B-5
YA444N	C-46	YA4CL1-BOX	C-12	YA8CA3	C-200	YAD18-4	B-5
YA444NU	C-98	YA4CL-2TC14	C-28	YA8CA3S56T14E	C-109	YAD18-4M	B-5
YA44A1	C-201	YA4CL-2TC14E1	C-28	YA8CL1-BOX	C-12, C-49	YAD18-516	B-5
YA44A3	C-204	YA4CL-2TC14E2	C-28	YA8CL2-BOX	C-12, C-49	YAD18-6	B-5
YA44L	C-15	YA4CL-2TC38	C-28	YA8C-L2TC10	C-28, C-67	YAD186F	B-27
YA44L2	C-15	YA4CL-2TC516	C-28	YA8CL-2TC10E2	C-28	YAD18-6M	B-5
YA44L23	C-15	YA4CL3-BOX	C-12	YA8C-L2TC14	C-28, C-67	YAD18-8	B-5
YA44L2NNTFX	C-72	YA4CL4-BOX	C-12	YA8C-L2TC14E1	C-28, C-67	YAD188F	B-27
YA44L2NNTFXSL	C-100	YA4CL6-BOX	C-12	YA8C-L2TC14E2	C-28, C-67	YAD18-8M	B-5
YA44L2NT38FX	C-72	YA4C-LB	C-59	YA8C-L2TC38	C-28, C-67	YAD1CM10E38	B-6
YA44L2NTC12E24	C-32	YA4CL-BOX	C-12	YA8CL3-BOX	C-12, C-49	YAD1CM12E12	B-6
YA44-L2NTC-FX	C-69	YA4CLNT10	C-17	YA8CL4-BOX	C-12, C-49	YAD1CM16E58	B-6
YA44L-2TC12	C-30	YA4CN	C-20	YA8C-LB	C-59	YAD1CM20E34	B-6
YA44-L2TC12E3-FX	C-69	YA4CTC10	C-20	YA8CL-BOX	C-12, C-49	YAD1CM6E14	B-6
YA44-L2TC12-FX	C-69	YA4CTC38	C-20	YA8CLNT6	C-17	YAD1CM8E516	B-6
YA44-L2TC38-FX	C-69	YA5C	C-20	YA8CLNT8	C-17	YAD25M10E38	B-6
YA44-L2TC58-FX	C-69	YA5C-2L	C-28	YA8CTC10	C-20	YAD25M12E12	B-6
YA44LNT12FX	C-54	YA5C2N	C-34	YA8CTC14	C-20	YAD25M16E58	B-6
YA44LNT38FX	C-54	YA5C2NU	C-96	YA8C-TC14-FXB	C-64	YAD25M20E34	B-6
YA44L-TC12-FX	C-51	YA5CL	C-12	YA8CTC38	C-20	YAD25M6E14	B-6

ALPHA-NUMERIC INDEX BY CATALOG NUMBER (Continued)

Catalog Number	Page #	Catalog Number	Page #	Catalog Number	Page #	Catalog Number	Page #
YAD25M8E516	B-6	YAE10N2BOX	B-11	YAE14NBOX	B-11	YAE22N65F	B-30
YAD26M10E38	B-7	YAE10N2M	B-11	YAE14NM	B-11	YAE22N65FBOX	B-30
YAD26M12E12	B-7	YAE10N3	B-11	YAE14Z2	B-43	YAE22N65FM	B-30
YAD26M16E58	B-7	YAE10N3BOX	B-11	YAE14Z2BOX	B-43	YAE22N66F	B-30
YAD26M20E34	B-7	YAE10N3M	B-11	YAE14Z3	B-43	YAE22N66FBOX	B-30
YAD26M6E14	B-7	YAE10N4	B-11	YAE14Z3BOX	B-43	YAE22N66FM	B-30
YAD26M8E516	B-7	YAE10N4BOX	B-11	YAE14Z4	B-43	YAE22Z1	B-43
YAD27M10E38	B-7	YAE10N4M	B-11	YAE14Z4BOX	B-43	YAE22Z1BOX	B-43
YAD27M12E12	B-7	YAE10N5	B-11	YAE18G43F	B-30	YAE22Z2	B-43
YAD27M16E58	B-7	YAE10N5BOX	B-11	YAE18G43FBOX	B-30	YAE22Z2BOX	B-43
YAD27M20E34	B-7	YAE10N5M	B-11	YAE18G43FM	B-30	YAE22Z3	B-43
YAD27M8E516	B-7	YAE10N79	B-11	YAE18N	B-11	YAE22Z3BOX	B-43
YAD28M10E38	B-7	YAE10N79BOX	B-11	YAE18N104BFBOX	B-40	YAEBAF1CNTN	C-215
YAD28M12E12	B-7	YAE10N80FBOX	B-30	YAE18N104LFBOX	B-35	YAEBAF1CNTNOEM	C-215
YAD28M16E58	B-7	YAE10N81FBOX	B-30	YAE18N105BFBOX	B-40	YAEBAF1CPTN	C-215
YAD28M20E34	B-7	YAE10N82FBOX	B-30	YAE18N105LFBOX	B-35	YAEBAF1CPTNOEM	C-215
YAD28M6E14	B-7	YAE10N83FBOX	B-30	YAE18N106BFBOX	B-40	YAEBAF25NTN	C-215
YAD28M8E516	B-7	YAE10NBOX	B-11	YAE18N106LFBOX	B-35	YAEBAF25NTNOEM	C-215
YAD2CM10E38	B-6	YAE10NM	B-11	YAE18N15	B-11	YAEBAF25PTN	C-215
YAD2CM12E12	B-6	YAE12N	B-11	YAE18N15BOX	B-11	YAEBAF25PTNOEM	C-215
YAD2CM16E58	B-6	YAE12N1	B-11	YAE18N15M	B-11	YAEBAF26NTN	C-215
YAD2CM20E34	B-6	YAE12N1BOX	B-11	YAE18N2	B-11	YAEBAF26NTNOEM	C-215
YAD2CM6E14	B-6	YAE12N1M	B-11	YAE18N21	B-11	YAEBAF26PTN	C-215
YAD2CM8E516	B-6	YAE12N2	B-11	YAE18N21BOX	B-11	YAEBAF26PTNOEM	C-215
YAD30M10E38	B-7	YAE12N2BOX	B-11	YAE18N21M	B-11	YAEBAF27NTN	C-215
YAD30M12E12	B-7	YAE12N2M	B-11	YAE18N24	B-11	YAEBAF27NTNOEM	C-215
YAD30M16E58	B-7	YAE12N7	B-11	YAE18N24BOX	B-11	YAEBAF27PTN	C-215
YAD30M20E34	B-7	YAE12N7BOX	B-11	YAE18N24M	B-11	YAEBAF27PTNOEM	C-215
YAD31M10E38	B-7	YAE12N7M	B-11	YAE18N26	B-11	YAEBAF28NTN	C-215
YAD31M12E12	B-7	YAE12N9	B-11	YAE18N26BOX	B-11	YAEBAF28NTNOEM	C-215
YAD31M16E58	B-7	YAE12N9BOX	B-11	YAE18N26M	B-11	YAEBAF28PTN	C-215
YAD31M20E34	B-7	YAE12N9M	B-11	YAE18N2BOX	B-11	YAEBAF28PTNOEM	C-215
YAD33M10E38	B-7	YAE12NBOX	B-11	YAE18N2M	B-11	YAEBAF29CNTN	C-215
YAD33M12E12	B-7	YAE12NM	B-11	YAE18N3	B-11	YAEBAF29CNTNOEM	C-215
YAD33M16E58	B-7	YAE12Z2	B-43	YAE18N3BOX	B-11	YAEBAF29CPTN	C-215
YAD33M20E34	B-7	YAE12Z2BOX	B-43	YAE18N3M	B-11	YAEBAF29CPTNOEM	C-215
YAD36M10E38	B-7	YAE12Z3	B-43	YAE18N56F	B-30	YAEBAS1CNTN	C-214
YAD36M12E12	B-7	YAE12Z3BOX	B-43	YAE18N56FBOX	B-30	YAEBAS1CNTNOEM	C-214
YAD36M16E58	B-7	YAE12Z4	B-43	YAE18N57F	B-30	YAEBAS1CPTN	C-214
YAD36M20E34	B-7	YAE12Z4BOX	B-43	YAE18N57FBOX	B-30	YAEBAS1CPTNOEM	C-214
YAD4CM10E38	B-6	YAE14N	B-11	YAE18N57FM	B-30	YAEBAS2CNTN	C-214
YAD4CM12E12	B-6	YAE14N1	B-11	YAE18N58FBOX	B-30	YAEBAS25NTNOEM	C-214
YAD4CM16E58	B-6	YAE14N107BFBOX	B-40	YAE18N60F	B-30	YAEBAS25PTN	C-214
YAD4CM20E34	B-6	YAE14N107LFBOX	B-35	YAE18N60FBOX	B-30	YAEBAS25PTNOEM	C-214
YAD4CM5E10	B-6	YAE14N108BFBOX	B-40	YAE18N60FM	B-30	YAEBAS26NTN	C-214
YAD4CM6E14	B-6	YAE14N108LFBOX	B-35	YAE18NBOX	B-11	YAEBAS26NTNOEM	C-214
YAD4CM8E516	B-6	YAE14N109BFBOX	B-40	YAE18NM	B-11	YAEBAS26PTN	C-214
YAD6CM10E38	B-6	YAE14N109LFBOX	B-35	YAE18Z1	B-43	YAEBAS26PTNOEM	C-214
YAD6CM12E12	B-6	YAE14N1BOX	B-11	YAE18Z1BOX	B-43	YAEBAS27NTN	C-214
YAD6CM5E10	B-6	YAE14N1M	B-11	YAE18Z2	B-43	YAEBAS27NTNOEM	C-214
YAD6CM6E14	B-6	YAE14N2	B-11	YAE18Z2BOX	B-43	YAEBAS27PTN	C-214
YAD6CM8E516	B-6	YAE14N2BOX	B-11	YAE18Z3	B-43	YAEBAS27PTNOEM	C-214
YAD8CM10E38	B-6	YAE14N2M	B-11	YAE18Z3BOX	B-43	YAEBAS28NTN	C-214
YAD8CM12E12	B-6	YAE14N3	B-11	YAE18Z4	B-43	YAEBAS28NTNOEM	C-214
YAD8CM16E58	B-6	YAE14N3BOX	B-11	YAE18Z4BOX	B-43	YAEBAS28PTN	C-214
YAD8CM4E8	B-6	YAE14N3M	B-11	YAE22G12	B-10	YAEBAS28PTNOEM	C-214
YAD8CM5E10	B-6	YAE14N4	B-11	YAE22G12BOX	B-10	YAEBAS2CNTN	C-214
YAD8CM6E14	B-6	YAE14N43	B-11	YAE22G13	B-10	YAEBAS2CNTNOEM	C-214
YAD8CM8E516	B-6	YAE14N43BOX	B-11	YAE22G13BOX	B-10	YAEBAS2CPTN	C-214
YAE10N	B-11	YAE14N43M	B-11	YAE22G13M	B-10	YAEBAS2CPTNOEM	C-214
YAE10N11	B-11	YAE14N4BOX	B-11	YAE22G14	B-10	YAEBAS4CNTN	C-214
YAE10N110BFBOX	B-40	YAE14N4M	B-11	YAE22G14BOX	B-10	YAEBAS4CNTNOEM	C-214
YAE10N110LFBOX	B-35	YAE14N76F	B-30	YAE22G15	B-10	YAEBAS4CPTN	C-214
YAE10N111BFBOX	B-40	YAE14N76FBOX	B-30	YAE22G15BOX	B-10	YAEBAS4CPTNOEM	C-214
YAE10N111LFBOX	B-35	YAE14N77F	B-30	YAE22G16	B-10	YAEBAS6CNTN	C-214
YAE10N112BFBOX	B-40	YAE14N77FBOX	B-30	YAE22G16BOX	B-10	YAEBAS6CNTNOEM	C-214
YAE10N112LFBOX	B-35	YAE14N77FM	B-30	YAE22G16M	B-10	YAEBAS6CPTN	C-214
YAE10N11BOX	B-11	YAE14N78F	B-30	YAE22G18	B-10	YAEBAS6CPTNOEM	C-214
YAE10N11M	B-11	YAE14N78FBOX	B-30	YAE22G18BOX	B-10	YAES10K11	B-14
YAE10N2	B-11	YAE14N78FM	B-30	YAE22G18M	B-10	YAES10K11T1	B-14

ALPHA-NUMERIC INDEX BY CATALOG NUMBER (Continued)

Catalog Number	Page #	Catalog Number	Page #	Catalog Number	Page #	Catalog Number	Page #
YAES10K12.....	B-14	YAEV14BOX.....	B-19	YAEV6C-H4.....	B-21	YAG25LTC14FX.....	C-56
YAES10K13.....	B-14	YAEV18.....	B-19	YAEV6C-L.....	B-20	YAG25LTC14LD.....	C-84
YAES10K14.....	B-14	YAEV18BOX.....	B-19	YAEV6C-L1.....	B-20	YAG25LTC38FX.....	C-56
YAES10K56.....	B-14	YAEV1C-H.....	B-21	YAEV6C-L10.....	B-20	YAG25LTC38LD.....	C-84
YAES10K57.....	B-14	YAEV1C-H1.....	B-21	YAEV6C-L2.....	B-20	YAG25LTC516FX.....	C-56
YAES10K58.....	B-14	YAEV1C-H2.....	B-21	YAEV6C-L4.....	B-20	YAG25LTC516LD.....	C-84
YAES10N11.....	B-9	YAEV1C-H3.....	B-21	YAEV6C-RH.....	B-25	YAG26L-2NTC-LD.....	C-89
YAES10N11F.....	B-29	YAEV1C-L.....	B-20	YAEV6C-RH1.....	B-25	YAG26L-2TC14E2-LD.....	C-89
YAES10N12.....	B-9	YAEV1C-L1.....	B-20	YAEV6C-RS.....	B-24	YAG26L-2TC14-LD.....	C-89
YAES10N12F.....	B-29	YAEV1C-L2.....	B-20	YAEV6C-RS1.....	B-24	YAG26L-2TC38-LD.....	C-89
YAES10N13.....	B-9	YAEV1C-L3.....	B-20	YAEV8C-H.....	B-21	YAG26L-2TC516-LD.....	C-89
YAES10N14.....	B-9	YAEV1C-RH.....	B-25	YAEV8C-H1.....	B-21	YAG26LTC10LD.....	C-85
YAES10N56.....	B-9	YAEV1C-RH2.....	B-25	YAEV8C-H14.....	B-21	YAG26LTC12FX.....	C-56
YAES10N56F.....	B-29	YAEV1C-RS.....	B-24	YAEV8C-H2.....	B-21	YAG26LTC12LD.....	C-85
YAES10N57.....	B-9	YAEV1C-RS2.....	B-24	YAEV8C-H3.....	B-21	YAG26LTC14FX.....	C-56
YAES10N57F.....	B-29	YAEV25-H.....	B-22	YAEV8C-H4.....	B-21	YAG26LTC14LD.....	C-85
YAES10N58.....	B-9	YAEV25-H1.....	B-22	YAEV8C-L.....	B-20	YAG26LTC34LD.....	C-85
YAES14K10.....	B-14	YAEV25-H2.....	B-22	YAEV8C-L1.....	B-20	YAG26LTC38FX.....	C-56
YAES14K53.....	B-14	YAEV25-H3.....	B-22	YAEV8C-L14.....	B-20	YAG26LTC38LD.....	C-85
YAES14K54.....	B-14	YAEV25-H4.....	B-22	YAEV8C-L14BOX.....	B-20	YAG26LTC516FX.....	C-56
YAES14K6.....	B-14	YAEV25-L.....	B-20	YAEV8C-L1BOX.....	B-20	YAG26LTC516LD.....	C-85
YAES14K7.....	B-14	YAEV25-L1.....	B-20	YAEV8C-L2.....	B-20	YAG26LTC58LD.....	C-85
YAES14K8.....	B-14	YAEV25-L2.....	B-20	YAEV8C-L2BOX.....	B-20	YAG27L-2NTC-LD.....	C-89
YAES14K9.....	B-14	YAEV25-L3.....	B-20	YAEV8C-L3.....	B-20	YAG27L-2TC14E2-LD.....	C-89
YAES14N10.....	B-9	YAEV25-L4.....	B-20	YAEV8C-L3BOX.....	B-20	YAG27L-2TC14-LD.....	C-89
YAES14N52.....	B-9	YAEV25-RH.....	B-25	YAEV8C-L4.....	B-20	YAG27L-2TC38-LD.....	C-89
YAES14N53.....	B-9	YAEV25-RS.....	B-24	YAEV8C-L4BOX.....	B-20	YAG27L-2TC516-LD.....	C-89
YAES14N53F.....	B-29	YAEV26-H.....	B-22	YAEV8C-LBOX.....	B-20	YAG27LTC10LD.....	C-85
YAES14N54.....	B-9	YAEV26-H1.....	B-22	YAEV8C-RH.....	B-25	YAG27LTC12FX.....	C-56
YAES14N54F.....	B-29	YAEV26-H12.....	B-22	YAEV8C-RH1.....	B-25	YAG27LTC12LD.....	C-85
YAES14N6.....	B-9	YAEV26-H2.....	B-22	YAEV8C-RS.....	B-24	YAG27LTC14FX.....	C-56
YAES14N6F.....	B-29	YAEV26-H3.....	B-22	YAEV8C-RS1.....	B-24	YAG27LTC14LD.....	C-85
YAES14N7.....	B-9	YAEV26-L.....	B-20	YAFW10HS.....	B-79	YAG27LTC38FX.....	C-56
YAES14N8.....	B-9	YAEV26-L1.....	B-20	YAFW10N.....	B-78	YAG27LTC38LD.....	C-85
YAES14N8F.....	B-29	YAEV26-L2.....	B-20	YAFW10NG.....	B-79	YAG27LTC516FX.....	C-56
YAES14N9.....	B-9	YAEV26-L3.....	B-20	YAFW10P.....	B-78	YAG27LTC516LD.....	C-85
YAES18K1.....	B-14	YAEV26-RH.....	B-25	YAFW14HS.....	B-79	YAG28L-2TC138-LD.....	C-89
YAES18K2.....	B-14	YAEV26-RS.....	B-24	YAFW14N.....	B-78	YAG28L-2NTC-LD.....	C-89
YAES18K3.....	B-14	YAEV2C-H.....	B-21	YAFW14NG.....	B-79	YAG28L-2TC12E1-LD.....	C-89
YAES18K4.....	B-14	YAEV2C-H1.....	B-21	YAFW14P.....	B-78	YAG28L-2TC12-LD.....	C-89
YAES18K49.....	B-14	YAEV2C-H2.....	B-21	YAFW18HS.....	B-79	YAG28L-2TC14E2-LD.....	C-89
YAES18K5.....	B-14	YAEV2C-H3.....	B-21	YAFW18N.....	B-78	YAG28L-2TC14-LD.....	C-89
YAES18K50.....	B-14	YAEV2C-H4.....	B-21	YAFW18NG.....	B-79	YAG28L-2TC38-LD.....	C-89
YAES18N1.....	B-9	YAEV2C-L.....	B-20	YAFW18P.....	B-78	YAG28L-2TC516-LD.....	C-89
YAES18N1F.....	B-29	YAEV2C-L1.....	B-20	YAFX15CLKIT.....	C-95	YAG28LTC12FX.....	C-56
YAES18N2.....	B-9	YAEV2C-L2.....	B-20	YAG18TC516LD.....	C-84	YAG28LTC12LD.....	C-85
YAES18N3.....	B-9	YAEV2C-L3.....	B-20	YAG1CL-2NTC-LD.....	C-88	YAG28LTC14FX.....	C-56
YAES18N3F.....	B-29	YAEV2C-L4.....	B-20	YAG1CL-2TC14E1-LD.....	C-88	YAG28LTC14LD.....	C-85
YAES18N4.....	B-9	YAEV2C-RH.....	B-25	YAG1CL-2TC14E2-LD.....	C-88	YAG28LTC38FX.....	C-56
YAES18N48.....	B-9	YAEV2C-RH1.....	B-25	YAG1CL-2TC14-LD.....	C-88	YAG28LTC38LD.....	C-85
YAES18N49.....	B-9	YAEV2C-RS.....	B-24	YAG1CL-2TC38-LD.....	C-88	YAG28LTC516FX.....	C-56
YAES18N49F.....	B-29	YAEV2C-RS1.....	B-24	YAG1CL-2TC516-LD.....	C-88	YAG28LTC516LD.....	C-85
YAES18N5.....	B-9	YAEV4C-H.....	B-21	YAG1CLTC10LD.....	C-84	YAG28LTC516N66LD.....	C-85
YAES18N50.....	B-9	YAEV4C-H2.....	B-21	YAG1CLTC12FX.....	C-56	YAG28LTC58LD.....	C-85
YAES18N50F.....	B-29	YAEV4C-H3.....	B-21	YAG1CLTC12LD.....	C-84	YAG29L-2NT38-LD.....	C-89
YAEV10.....	B-19	YAEV4C-H4.....	B-21	YAG1CLTC14FX.....	C-56	YAG29L-2NTC-LD.....	C-89
YAEV10BOX.....	B-19	YAEV4C-H5.....	B-21	YAG1CLTC14LD.....	C-84	YAG29L-2TC12E1-LD.....	C-89
YAEV10-L36.....	B-19	YAEV4C-L.....	B-20	YAG1CLTC38FX.....	C-56	YAG29L-2TC12-LD.....	C-89
YAEV10-L36BOX.....	B-19	YAEV4C-L2.....	B-20	YAG1CLTC38LD.....	C-84	YAG29L-2TC14E2-LD.....	C-89
YAEV10-T11.....	B-19	YAEV4C-L3.....	B-20	YAG1CLTC516FX.....	C-56	YAG29L-2TC14-LD.....	C-89
YAEV10-T11BOX.....	B-19	YAEV4C-L4.....	B-20	YAG1CLTC516LD.....	C-84	YAG29L-2TC38-LD.....	C-89
YAEV10-T2.....	B-19	YAEV4C-L5.....	B-20	YAG25L-2NTC-LD.....	C-89	YAG29L-2TC516-LD.....	C-89
YAEV10-T2BOX.....	B-19	YAEV4C-RH.....	B-25	YAG25L-2TC12E1-LD.....	C-89	YAG29LTC12FX.....	C-57
YAEV10-T3.....	B-19	YAEV4C-RH2.....	B-25	YAG25L-2TC14E2-LD.....	C-89	YAG29LTC12LD.....	C-85
YAEV10-T3BOX.....	B-19	YAEV4C-RS.....	B-24	YAG25L-2TC14-LD.....	C-89	YAG29LTC34LD.....	C-85
YAEV10-T4.....	B-19	YAEV4C-RS2.....	B-24	YAG25L-2TC38-LD.....	C-89	YAG29LTC38FX.....	C-57
YAEV10-T4BOX.....	B-19	YAEV6C-H.....	B-21	YAG25L-2TC516E2-LD.....	C-89	YAG29LTC38LD.....	C-85
YAEV10-T7.....	B-19	YAEV6C-H1.....	B-21	YAG25L-2TC516-LD.....	C-89	YAG29LTC516LD.....	C-85
YAEV10-T7BOX.....	B-19	YAEV6C-H10.....	B-21	YAG25LTC12FX.....	C-56	YAG29LTC58FX.....	C-57
YAEV14.....	B-19	YAEV6C-H2.....	B-21	YAG25LTC12LD.....	C-84	YAG2CL-2NTC-LD.....	C-88

ALPHA-NUMERIC INDEX BY CATALOG NUMBER (Continued)

Catalog Number	Page #	Catalog Number	Page #	Catalog Number	Page #	Catalog Number	Page #
YAG2CL-2TC14E1-LD	C-88	YAG38LTC12FX	C-57	YAG8CL-2TC38-LD	C-88	YAK29A-2G1	H-79
YAG2CL-2TC14E2-LD	C-88	YAG38LTC12LD	C-86	YAG8CLTC10LD	C-84	YAK2CA2G1	H-79
YAG2CL-2TC14-LD	C-88	YAG38LTC38FX	C-57	YAG8CLTC12FX	C-56	YAK2CA2G2	H-79
YAG2CL-2TC38-LD	C-88	YAG38LTC38LD	C-86	YAG8CLTC12LD	C-84	YAK311A-2G1	H-79
YAG2CL-2TC516-LD	C-88	YAG38LTC516FX	C-57	YAG8CLTC14FX	C-56	YAK311A-2G2	H-79
YAG2CLTC10LD	C-84	YAG38LTC516LD	C-86	YAG8CLTC14LD	C-84	YAK31A-2G1	H-79
YAG2CLTC12FX	C-56	YAG38LTC58LD	C-86	YAG8CLTC38LD	C-84	YAK31A-2G2	H-79
YAG2CLTC12LD	C-84	YAG39L-2NTC-LD	C-90	YAG8CLTC516FX	C-56	YAK34A-2G1	H-79
YAG2CLTC14FX	C-56	YAG40L-2NNT-LD	C-90	YAG8CLTC516LD	C-84	YAK34A-2G2	H-79
YAG2CLTC14LD	C-84	YAG40L-2NTC-LD	C-90	YAGB25LTC12FX	C-216	YAK-361A-2G1	H-79
YAG2CLTC38FX	C-56	YAG40L-2TC38-LD	C-90	YAGB25LTC12FXOEM	C-216	YAK-361A-2G2	H-79
YAG2CLTC38LD	C-84	YAG40LTC12FX	C-57	YAGB25LTC14FX	C-216	YAK39A-2G1	H-79
YAG2CLTC516FX	C-56	YAG40LTC12LD	C-86	YAGB25LTC14FXOEM	C-216	YAK39A-2G2	H-79
YAG2CLTC516LD	C-84	YAG40LTC14FX	C-57	YAGB25LTC38FX	C-216	YAK44A-2NG7	H-79
YAG30L-2NTC-LD	C-89	YAG40LTC38FX	C-57	YAGB25LTC38FXOEM	C-216	YAK44A-2NG8	H-79
YAG30L-2TC12-LD	C-89	YAG40LTC38LD	C-86	YAGB25LTC516FX	C-216	YALB102M10	C-122
YAG30L-2TC38-LD	C-89	YAG40LTC516FX	C-57	YAGB25LTC516FXOEM	C-216	YALB102M12	C-122
YAG30LTC12FX	C-57	YAG40LTC516LD	C-86	YAGB26LTC12FX	C-216	YALB102M4	C-122
YAG30LTC34LD	C-85	YAG40LTC58LD	C-86	YAGB26LTC12FXOEM	C-216	YALB102M5	C-122
YAG30LTC38FX	C-57	YAG44L-2NTC-LD	C-90	YAGB26LTC14FX	C-216	YALB102M6	C-122
YAG30LTC58FX	C-57	YAG44L-2TC12E3-LD	C-90	YAGB26LTC14FXOEM	C-216	YALB102M8	C-122
YAG30LTC58LD	C-85	YAG44L-2TC12-LD	C-90	YAGB26LTC38FX	C-216	YALB10M10	C-116
YAG31L-2NTC38-LD	C-90	YAG44L-2TC38-LD	C-90	YAGB26LTC38FXOEM	C-216	YALB10M12	C-116
YAG31L-2NTC-LD	C-90	YAG44L-2TC58-LD	C-90	YAGB26LTC516FX	C-216	YALB10M4	C-116
YAG31L-2TC12-LD	C-90	YAG44LTC12FX	C-57	YAGB26LTC516FXOEM	C-216	YALB10M5	C-116
YAG31L-2TC38-LD	C-90	YAG44LTC12LD	C-86	YAGB28LTC12FX	C-216	YALB10M6	C-116
YAG31LNT12LD	C-85	YAG44LTC38FX	C-57	YAGB28LTC12FXOEM	C-216	YALB10M8	C-116
YAG31LTC12FX	C-57	YAG44LTC516FX	C-57	YAGB28LTC14FX	C-216	YALB1202M10	C-123
YAG31LTC12LD	C-85	YAG44LTC58LD	C-86	YAGB28LTC14FXOEM	C-216	YALB1202M12	C-123
YAG31LTC14FX	C-57	YAG4CL-2NT10E1-LD	C-88	YAGB28LTC38FX	C-216	YALB1202M14	C-123
YAG31LTC14LD	C-85	YAG4CL-2NT10-LD	C-88	YAGB28LTC38FXOEM	C-216	YALB1202M16	C-123
YAG31LTC34LD	C-85	YAG4CL-2NTC-LD	C-88	YAGB28LTC516FX	C-216	YALB1202M20	C-123
YAG31LTC38FX	C-57	YAG4CL-2TC14E1-LD	C-88	YAGB28LTC516FXOEM	C-216	YALB1202M8	C-123
YAG31LTC38LD	C-85	YAG4CL-2TC14E2-LD	C-88	YAGB2CLTC10FX	C-216	YALB120F2M10	C-135
YAG31LTC516FX	C-57	YAG4CL-2TC14-LD	C-88	YAGB2CLTC10FXOEM	C-216	YALB120F2M12	C-135
YAG31LTC516LD	C-85	YAG4CL-2TC38-LD	C-88	YAGB2CLTC12FX	C-216	YALB120F2M14	C-135
YAG31LTC58FX	C-57	YAG4CL-2TC516-LD	C-88	YAGB2CLTC14FX	C-216	YALB120F2M16	C-135
YAG31LTC58LD	C-85	YAG4CLNT10LD	C-84	YAGB2CLTC14FXOEM	C-216	YALB120F2M20	C-135
YAG32L-2NTC-LD	C-90	YAG4CLTC10LD	C-84	YAGB2CLTC14FXOEM	C-216	YALB120F2M8	C-135
YAG32L-2TC38-LD	C-90	YAG4CLTC12FX	C-56	YAGB2CLTC38FX	C-216	YALB120FM10	C-129
YAG32LTC12FX	C-57	YAG4CLTC12LD	C-84	YAGB2CLTC38FXOEM	C-216	YALB120FM12	C-129
YAG32LTC12LD	C-85	YAG4CLTC14FX	C-56	YAGB2CLTC516FX	C-216	YALB120FM14	C-129
YAG32LTC38LD	C-85	YAG4CLTC14LD	C-84	YAGB2CLTC516FXOEM	C-216	YALB120FM16	C-129
YAG32LTC58FX	C-57	YAG4CLTC38FX	C-56	YAGB4CLTC10FX	C-216	YALB120FM20	C-129
YAG32LTC58LD	C-85	YAG4CLTC38LD	C-84	YAGB4CLTC10FXOEM	C-216	YALB120FM8	C-129
YAG34L-2NT38-LD	C-90	YAG4CLTC516FX	C-56	YAGB4CLTC12FX	C-216	YALB120M10	C-117
YAG34L-2NTC-LD	C-90	YAG4CLTC516LD	C-84	YAGB4CLTC12FXOEM	C-216	YALB120M12	C-117
YAG34L-2TC12-LD	C-90	YAG6CL-2NTC-LD	C-88	YAGB4CLTC14FX	C-216	YALB120M14	C-117
YAG34L-2TC38-LD	C-90	YAG6CL-2TC10E2-LD	C-88	YAGB4CLTC14FXOEM	C-216	YALB120M16	C-117
YAG34L-2TC516-LD	C-90	YAG6CL-2TC10E4-LD	C-88	YAGB4CLTC38FX	C-216	YALB120M20	C-117
YAG34LNT516N66LD	C-86	YAG6CL-2TC10E-LD	C-88	YAGB4CLTC38FXOEM	C-216	YALB120M8	C-117
YAG34LTC12FX	C-57	YAG6CL-2TC10-LD	C-88	YAGB4CLTC516FX	C-216	YALB1502M10	C-123
YAG34LTC12LD	C-86	YAG6CL-2TC14E1-LD	C-88	YAGB4CLTC516FXOEM	C-216	YALB1502M12	C-123
YAG34LTC38FX	C-57	YAG6CL-2TC14E2-LD	C-88	YAGB6CLTC10FX	C-216	YALB1502M14	C-123
YAG34LTC38LD	C-86	YAG6CL-2TC14-LD	C-88	YAGB6CLTC10FXOEM	C-216	YALB1502M16	C-123
YAG34LTC516FX	C-57	YAG6CL-2TC38-LD	C-88	YAGB6CLTC12FX	C-216	YALB1502M20	C-123
YAG34LTC516LD	C-86	YAG6CL-2TC516-LD	C-88	YAGB6CLTC12FXOEM	C-216	YALB1502M8	C-123
YAG34LTC516N66LD	C-86	YAG6CLTC10LD	C-84	YAGB6CLTC14FX	C-216	YALB150F2M10	C-135
YAG34LTC58FX	C-57	YAG6CLTC12FX	C-56	YAGB6CLTC14FXOEM	C-216	YALB150F2M12	C-135
YAG34LTC58LD	C-86	YAG6CLTC12LD	C-84	YAGB6CLTC38FX	C-216	YALB150F2M14	C-135
YAG36L-2NTC-LD	C-90	YAG6CLTC14FX	C-56	YAGB6CLTC38FXOEM	C-216	YALB150F2M16	C-135
YAG36L-2TC38-LD	C-90	YAG6CLTC14LD	C-84	YAGB6CLTC516FX	C-216	YALB150F2M20	C-135
YAG36LTC12LD	C-86	YAG6CLTC38FX	C-56	YAGB6CLTC516FXOEM	C-216	YALB150F2M8	C-135
YAG36LTC38FX	C-57	YAG6CLTC38LD	C-84	YAIT1210Y	B-75	YALB150FM10	C-129
YAG36LTC58LD	C-86	YAG6CLTC516FX	C-56	YAIT1814B	B-75	YALB150FM12	C-129
YAG38L-2NT38-LD	C-90	YAG6CLTC516LD	C-84	YAIT2218R	B-75	YALB150FM14	C-129
YAG38L-2NTC-LD	C-90	YAG8CL-2TC10-LD	C-88	YAK25A-2G1	H-79	YALB150FM16	C-129
YAG38L-2TC12-LD	C-90	YAG8CL-2TC14E1-LD	C-88	YAK25A-2G2	H-79	YALB150FM20	C-129
YAG38L-2TC38-LD	C-90	YAG8CL-2TC14E2-LD	C-88	YAK28A-2G1	H-79	YALB150FM8	C-129
YAG38L-2TC516-LD	C-90	YAG8CL-2TC14-LD	C-88	YAK28A-2G2	H-79	YALB150M10	C-117

ALPHA-NUMERIC INDEX BY CATALOG NUMBER (Continued)

Catalog Number	Page #	Catalog Number	Page #	Catalog Number	Page #	Catalog Number	Page #
YALB150M12	C-117	YALB25M8	C-116	YALB50F2M8	C-135	YALB95M16	C-116
YALB150M14	C-117	YALB3002M10	C-124	YALB50FM10	C-129	YALB95M20	C-116
YALB150M16	C-117	YALB3002M12	C-124	YALB50FM12	C-129	YALB95M8	C-116
YALB150M20	C-117	YALB3002M14	C-124	YALB50FM14	C-129	YASG6CL-2TC14E2-FX	C-99
YALB150M8	C-117	YALB3002M16	C-124	YALB50FM16	C-129	YASV6CL-2TC14E2-FX	C-99
YALB162M10	C-122	YALB3002M20	C-124	YALB50FM6	C-129	YASV6CL-2TC14E2-FX-60	C-99
YALB162M12	C-122	YALB300F2M10	C-136	YALB50FM8	C-129	YATW10HS	B-77
YALB162M4	C-122	YALB300F2M12	C-136	YALB50M10	C-116	YATW10N	B-76
YALB162M5	C-122	YALB300F2M14	C-136	YALB50M12	C-116	YATW10NG	B-77
YALB162M6	C-122	YALB300F2M16	C-136	YALB50M14	C-116	YATW10P	B-76
YALB162M8	C-122	YALB300F2M20	C-136	YALB50M16	C-116	YATW14HS	B-77
YALB16M10	C-116	YALB300FM10	C-130	YALB50M6	C-116	YATW14N	B-76
YALB16M12	C-116	YALB300FM12	C-130	YALB50M8	C-116	YATW14NG	B-77
YALB16M4	C-116	YALB300FM14	C-130	YALB6302M12	C-124	YATW14P	B-76
YALB16M5	C-116	YALB300FM16	C-130	YALB6302M16	C-124	YATW18HS	B-77
YALB16M6	C-116	YALB300FM20	C-130	YALB6302M20	C-124	YATW18N	B-76
YALB16M8	C-116	YALB300M10	C-117	YALB630F2M12	C-136	YATW18NG	B-77
YALB1852M10	C-123	YALB300M12	C-117	YALB630F2M16	C-136	YATW18P	B-76
YALB1852M12	C-123	YALB300M14	C-117	YALB630F2M20	C-136	YAV0252M3	C-119
YALB1852M14	C-123	YALB300M16	C-117	YALB630FM12	C-130	YAV0252M4	C-119
YALB1852M16	C-123	YALB300M20	C-117	YALB630FM16	C-130	YAV0252M5	C-119
YALB1852M20	C-123	YALB352M10	C-122	YALB630FM20	C-130	YAV0252M6	C-119
YALB1852M8	C-123	YALB352M12	C-122	YALB630M12	C-117	YAV0252M8	C-119
YALB185F2M10	C-136	YALB352M5	C-122	YALB630M16	C-117	YAV025M3	C-112
YALB185F2M12	C-136	YALB352M6	C-122	YALB630M20	C-117	YAV025M4	C-112
YALB185F2M14	C-136	YALB352M8	C-122	YALB702M10	C-123	YAV025M5	C-112
YALB185F2M16	C-136	YALB35M10	C-116	YALB702M12	C-123	YAV025M6	C-112
YALB185F2M20	C-136	YALB35M12	C-116	YALB702M14	C-123	YAV025M8	C-112
YALB185F2M8	C-136	YALB35M5	C-116	YALB702M16	C-123	YAV062M10	C-119
YALB185FM10	C-130	YALB35M6	C-116	YALB702M6	C-123	YAV062M4	C-119
YALB185FM12	C-130	YALB35M8	C-116	YALB702M8	C-123	YAV062M5	C-119
YALB185FM14	C-130	YALB4002M12	C-124	YALB70F2M10	C-135	YAV062M6	C-119
YALB185FM16	C-130	YALB4002M14	C-124	YALB70F2M12	C-135	YAV062M8	C-119
YALB185FM20	C-130	YALB4002M16	C-124	YALB70F2M14	C-135	YAV06M10	C-112
YALB185FM8	C-130	YALB4002M20	C-124	YALB70F2M16	C-135	YAV06M35	C-112
YALB185M10	C-117	YALB400F2M12	C-136	YALB70F2M6	C-135	YAV06M4	C-112
YALB185M12	C-117	YALB400F2M14	C-136	YALB70F2M8	C-135	YAV06M5	C-112
YALB185M14	C-117	YALB400F2M16	C-136	YALB70FM10	C-129	YAV06M6	C-112
YALB185M16	C-117	YALB400F2M20	C-136	YALB70FM12	C-129	YAV06M8	C-112
YALB185M20	C-117	YALB400FM12	C-130	YALB70FM14	C-129	YAV10	B-15
YALB185M8	C-117	YALB400FM14	C-130	YALB70FM16	C-129	YAV102M10	C-119
YALB2402M10	C-124	YALB400FM16	C-130	YALB70FM6	C-129	YAV102M12	C-119
YALB2402M12	C-124	YALB400FM20	C-130	YALB70FM8	C-129	YAV102M4	C-119
YALB2402M14	C-124	YALB400M12	C-117	YALB70M10	C-116	YAV102M5	C-119
YALB2402M16	C-124	YALB400M14	C-117	YALB70M12	C-116	YAV102M6	C-119
YALB2402M20	C-124	YALB400M16	C-117	YALB70M14	C-116	YAV102M8	C-119
YALB240F2M10	C-136	YALB400M20	C-117	YALB70M16	C-116	YAV10-2TC10	C-28
YALB240F2M12	C-136	YALB5002M12	C-124	YALB70M6	C-116	YAV102TC1090SL	C-104
YALB240F2M14	C-136	YALB5002M16	C-124	YALB70M8	C-116	YAV10-2TC14	C-28
YALB240F2M16	C-136	YALB5002M20	C-124	YALB952M10	C-123	YAV10-2TC14E1	C-28
YALB240F2M20	C-136	YALB500F2M12	C-136	YALB952M12	C-123	YAV10-2TC14E2	C-28
YALB240FM10	C-130	YALB500F2M16	C-136	YALB952M14	C-123	YAV10-2TC38	C-28
YALB240FM12	C-130	YALB500F2M20	C-136	YALB952M16	C-123	YAV10BBOX	B-15, C-12
YALB240FM14	C-130	YALB500FM12	C-130	YALB952M20	C-123	YAV10H	B-18
YALB240FM16	C-130	YALB500FM16	C-130	YALB952M8	C-123	YAV10H25	B-18
YALB240FM20	C-130	YALB500FM20	C-130	YALB95F2M10	C-135	YAV10-H25BOX	B-18
YALB240M10	C-117	YALB500M12	C-117	YALB95F2M12	C-135	YAV10H3	B-18
YALB240M12	C-117	YALB500M16	C-117	YALB95F2M14	C-135	YAV10-H3BOX	B-18
YALB240M14	C-117	YALB500M20	C-117	YALB95F2M16	C-135	YAV10-HBOX	B-18
YALB240M16	C-117	YALB502M10	C-122	YALB95F2M20	C-135	YAV10-HF	B-45
YALB240M20	C-117	YALB502M12	C-122	YALB95F2M8	C-135	YAV10-HFBOX	B-45
YALB252M10	C-122	YALB502M14	C-122	YALB95FM10	C-129	YAV10L36	B-15
YALB252M12	C-122	YALB502M16	C-122	YALB95FM12	C-129	YAV10-L36BOX	B-15
YALB252M5	C-122	YALB502M6	C-122	YALB95FM14	C-129	YAV10M10	C-112
YALB252M6	C-122	YALB502M8	C-122	YALB95FM16	C-129	YAV10M12	C-112
YALB252M8	C-122	YALB50F2M10	C-135	YALB95FM20	C-129	YAV10M4	C-112
YALB25M10	C-116	YALB50F2M12	C-135	YALB95FM8	C-129	YAV10M5	C-112
YALB25M12	C-116	YALB50F2M14	C-135	YALB95M10	C-116	YAV10M6	C-112
YALB25M5	C-116	YALB50F2M16	C-135	YALB95M12	C-116	YAV10M8	C-112
YALB25M6	C-116	YALB50F2M6	C-135	YALB95M14	C-116	YAV10-R	B-23

ALPHA-NUMERIC INDEX BY CATALOG NUMBER (Continued)

Catalog Number	Page #	Catalog Number	Page #	Catalog Number	Page #	Catalog Number	Page #
YAV10-R3BOX.....	B-23, C-12	YAV14-T2BOX.....	B-15	YAV185M14.....	C-113	YAV240M16.....	C-113
YAV10R-BOX.....	C-12	YAV14T3.....	B-15	YAV185M16.....	C-113	YAV240M20.....	C-113
YAV10T11.....	B-15	YAV14T32F.....	B-44	YAV185M20.....	C-113	YAV252M10.....	C-119
YAV10-T11BOX.....	B-15	YAV14-T32FBOX.....	B-44	YAV185M8.....	C-113	YAV252M12.....	C-119
YAV10T2.....	B-15	YAV14T34F.....	B-44	YAV18BOX.....	B-15	YAV252M5.....	C-119
YAV10T21F.....	B-44	YAV14-T34FBOX.....	B-44	YAV18H.....	B-18	YAV252M6.....	C-119
YAV10-T21FBOX.....	B-44	YAV14-T3BOX.....	B-15	YAV18-H19F.....	B-45	YAV252M8.....	C-119
YAV10T23F.....	B-44	YAV14T5.....	B-15	YAV18-H19FBOX.....	B-45	YAV252TC14E2-FXB.....	C-78
YAV10-T23FBOX.....	B-44	YAV14-T5BOX.....	B-15	YAV18-H21F.....	B-45	YAV252TC14-FXB.....	C-78
YAV10-T2BOX.....	B-15, C-12	YAV14-Z5.....	B-45	YAV18-H21FBOX.....	B-45	YAV252TC38-FXB.....	C-78
YAV10T3.....	B-15	YAV14-Z5BOX.....	B-45	YAV18-H6F.....	B-45	YAV25-L.....	B-17
YAV10-T3BOX.....	B-15, C-12	YAV14-Z6.....	B-45	YAV18-H6FBOX.....	B-45	YAV25-L1.....	B-17
YAV10T4.....	B-15	YAV14-Z6BOX.....	B-45	YAV18-HBOX.....	B-18	YAV25-L1BOX.....	B-17
YAV10-T4BOX.....	B-15, C-12	YAV1502M10.....	C-120	YAV18L33.....	B-15	YAV25-L2.....	B-17
YAV10T7.....	B-15	YAV1502M12.....	C-120	YAV18-R.....	B-23	YAV25-L2BOX.....	B-17
YAV10-T7BOX.....	B-15	YAV1502M14.....	C-120	YAV18T1.....	B-15	YAV25-L2BOX.....	B-17
YAV1202M10.....	C-120	YAV1502M16.....	C-120	YAV18T19F.....	B-44	YAV25-L2TC14E1FX.....	C-71
YAV1202M12.....	C-120	YAV1502M20.....	C-120	YAV18-T19FBOX.....	B-44	YAV25L2NT14FX.....	C-71
YAV1202M14.....	C-120	YAV1502M8.....	C-120	YAV18-T1BOX.....	B-15	YAV25L2NT516FX.....	C-71
YAV1202M16.....	C-120	YAV150F2M10.....	C-132	YAV18T21F.....	B-44	YAV25-L2NTC-FX.....	C-67
YAV1202M20.....	C-120	YAV150F2M12.....	C-132	YAV18T21FBOX.....	B-44	YAV25-L2TC12E1-FX.....	C-67
YAV1202M8.....	C-120	YAV150F2M14.....	C-132	YAV18T4.....	B-15	YAV25-L2TC14E2-FX.....	C-67
YAV120F2M10.....	C-132	YAV150F2M16.....	C-132	YAV18T4.....	B-15	YAV25-L2TC14-FX.....	C-67
YAV120F2M12.....	C-132	YAV150F2M20.....	C-132	YAV18T5.....	B-15	YAV25-L2TC38-FX.....	C-67
YAV120F2M14.....	C-132	YAV150F2M8.....	C-132	YAV18T5.....	B-15	YAV25-L2TC516E2-FX.....	C-67
YAV120F2M16.....	C-132	YAV150FM10.....	C-126	YAV18-T5BOX.....	B-15	YAV25-L3.....	B-17
YAV120F2M20.....	C-132	YAV150FM12.....	C-126	YAV1C2N-FXB.....	C-78	YAV25-L3BOX.....	B-17
YAV120F2M8.....	C-132	YAV150FM14.....	C-126	YAV1C2TC38-FXB.....	C-78	YAV25-L4.....	B-17
YAV120FM10.....	C-126	YAV150FM16.....	C-126	YAV1C-L.....	B-17	YAV25-L4.....	B-17
YAV120FM12.....	C-126	YAV150FM20.....	C-126	YAV1C-L1.....	B-17	YAV25-L4BOX.....	B-17
YAV120FM14.....	C-126	YAV150FM8.....	C-126	YAV1C-L1BOX.....	B-17	YAV25L4TC14FXG1.....	C-106
YAV120FM16.....	C-126	YAV150M10.....	C-113	YAV1C-L2.....	B-17	YAV25-LBOX.....	B-17
YAV120FM20.....	C-126	YAV150M12.....	C-113	YAV1C-L2BOX.....	B-17	YAV25-L4BOX.....	B-17
YAV120FM8.....	C-126	YAV150M14.....	C-113	YAV1CL2NT14FX.....	C-71	YAV25L4TC14FXG1.....	C-106
YAV120M10.....	C-113	YAV150M16.....	C-113	YAV1CL2NT516FX.....	C-71	YAV25-LBOX.....	B-17
YAV120M12.....	C-113	YAV150M20.....	C-113	YAV1CL2NTC-FX.....	C-67	YAV25LNT14FX.....	C-53
YAV120M14.....	C-113	YAV150M8.....	C-113	YAV1C-L2TC14E1-FX.....	C-67	YAV25LNT38FX.....	C-53
YAV120M16.....	C-113	YAV162M10.....	C-119	YAV1C-L2TC14E2-FX.....	C-67	YAV25LNT516FX.....	C-53
YAV120M20.....	C-113	YAV162M12.....	C-119	YAV1C-L2TC14-FX.....	C-67	YAV25LTC12-FX.....	C-49
YAV120M6.....	C-113	YAV162M4.....	C-119	YAV1C-L2TC38-FX.....	C-67	YAV25LTC14-FX.....	C-49
YAV120M8.....	C-113	YAV162M5.....	C-119	YAV1C-L2TC516-FX.....	C-67	YAV25LTC38-FX.....	C-49
YAV12G2.....	B-15	YAV162M6.....	C-119	YAV1C-L3.....	B-17	YAV25LTC516-FX.....	C-49
YAV12-G2BOX.....	B-15	YAV162M8.....	C-119	YAV1C-L3BOX.....	B-17	YAV25M10.....	C-112
YAV12G3.....	B-15	YAV16M10.....	C-112	YAV1C-LBOX.....	B-17	YAV25M12.....	C-112
YAV12-G3BOX.....	B-15	YAV16M12.....	C-112	YAV1CL-TC10-FX.....	C-49	YAV25M15.....	C-112
YAV14.....	B-15	YAV16M4.....	C-112	YAV1CL-TC12-FX.....	C-49	YAV25M16.....	C-112
YAV14BOX.....	B-15	YAV16M5.....	C-112	YAV1CL-TC14-FX.....	C-49	YAV25M8.....	C-112
YAV14H.....	B-18	YAV16M6.....	C-112	YAV1CL-TC38-FX.....	C-49	YAV25-RS.....	B-23
YAV14H1.....	B-18	YAV16M8.....	C-112	YAV1CL-TC516-FX.....	C-49	YAV25-RS3.....	B-23
YAV14-H1BOX.....	B-18	YAV18.....	B-15	YAV1C-RS1.....	B-23	YAV25-TC10-FXB.....	C-64
YAV14H2.....	B-18	YAV1852M10.....	C-120	YAV1C-RS2.....	B-23	YAV25-TC12-FXB.....	C-64
YAV14-H2BOX.....	B-18	YAV1852M12.....	C-120	YAV1C-RS10-FXB.....	C-64	YAV25-TC38-FXB.....	C-64
YAV14-H32F.....	B-45	YAV1852M14.....	C-120	YAV1C-TC516-FXB.....	C-64	YAV25-TC516-FXB.....	C-64
YAV14-H32FBOX.....	B-45	YAV1852M16.....	C-120	YAV2402M10.....	C-120	YAV262N-FXB.....	C-78
YAV14-H34F.....	B-45	YAV1852M20.....	C-120	YAV2402M12.....	C-120	YAV262NTC38-FXB.....	C-78
YAV14-H34FBOX.....	B-45	YAV1852M8.....	C-120	YAV2402M14.....	C-120	YAV262TC14E2-FXB.....	C-78
YAV14-H56F.....	B-45	YAV185F2M10.....	C-132	YAV2402M16.....	C-120	YAV26-L.....	B-17
YAV14-H56FBOX.....	B-45	YAV185F2M12.....	C-132	YAV2402M20.....	C-120	YAV26-L1.....	B-17
YAV14-HBOX.....	B-18	YAV185F2M14.....	C-132	YAV240F2M10.....	C-133	YAV26-L2.....	B-17
YAV14-HF.....	B-45	YAV185F2M16.....	C-132	YAV240F2M12.....	C-133	YAV26-L12BOX.....	B-17
YAV14-HFBOX.....	B-45	YAV185F2M20.....	C-132	YAV240F2M14.....	C-133	YAV26-L1BOX.....	B-17
YAV14L33.....	B-15	YAV185F2M8.....	C-132	YAV240F2M16.....	C-133	YAV26-L2.....	B-17
YAV14-L33BOX.....	B-15	YAV185FM10.....	C-127	YAV240F2M20.....	C-133	YAV26-L2BOX.....	B-17
YAV14L36.....	B-15	YAV185FM12.....	C-127	YAV240FM10.....	C-127	YAV26L2NT14FX.....	C-71
YAV14-L36BOX.....	B-15	YAV185FM14.....	C-127	YAV240FM12.....	C-127	YAV26L2NT38FX.....	C-71
YAV14-R.....	B-23	YAV185FM16.....	C-127	YAV240FM14.....	C-127	YAV26L2NT516FX.....	C-71
YAV14-RL33.....	B-23	YAV185FM20.....	C-127	YAV240FM16.....	C-127	YAV26-L2NTC-FX.....	C-68
YAV14T1.....	B-15	YAV185FM8.....	C-127	YAV240FM20.....	C-127	YAV26-L2TC12E1-FX.....	C-68
YAV14-T1BOX.....	B-15	YAV185M10.....	C-113	YAV240M10.....	C-113	YAV26-L2TC14E2-FX.....	C-68
YAV14T2.....	B-15	YAV185M12.....	C-113	YAV240M12.....	C-113	YAV26-L2TC14-FX.....	C-68
				YAV240M14.....	C-113	YAV26L2TC38E10FX.....	C-68
						YAV26-L2TC38-FX.....	C-68

ALPHA-NUMERIC INDEX BY CATALOG NUMBER (Continued)

Catalog Number	Page #	Catalog Number	Page #	Catalog Number	Page #	Catalog Number	Page #
YAV26-L2TC516-FX.....	C-68	YAV28L-TC14-FX.....	C-50	YAV300F2M10.....	C-133	YAV4CL-TC12-FX.....	C-49
YAV26-L3.....	B-17	YAV28L-TC34-FX.....	C-50	YAV300F2M12.....	C-133	YAV4CL-TC14-FX.....	C-49
YAV26-L3BOX.....	B-17	YAV28L-TC38-FX.....	C-50	YAV300F2M14.....	C-133	YAV4CL-TC38-FX.....	C-49
YAV26L4TC14FXG1.....	C-106	YAV28L-TC516-FX.....	C-50	YAV300F2M16.....	C-133	YAV4CL-TC516-FX.....	C-49
YAV26-LBOX.....	B-17	YAV28L-TC58-FX.....	C-50	YAV300F2M20.....	C-133	YAV4C-RS.....	B-23
YAV26LNT12FX.....	C-53	YAV28-RS.....	B-23	YAV300FM10.....	C-127	YAV4C-RS2.....	B-23
YAV26LNT38FX.....	C-53	YAV28-TC12-FXB.....	C-65	YAV300FM12.....	C-127	YAV4C-RS3.....	B-23
YAV26LNT516FX.....	C-53	YAV28-TC38-FXB.....	C-65	YAV300FM14.....	C-127	YAV4C-RS4.....	B-23
YAV26L-TC10-FX.....	C-49	YAV292N-FXB.....	C-79	YAV300FM16.....	C-127	YAV4C-TC10-FXB.....	C-64
YAV26L-TC12-FX.....	C-49	YAV292NT38-FXB.....	C-79	YAV300FM20.....	C-127	YAV4C-TC14-FXB.....	C-64
YAV26L-TC14-FX.....	C-49	YAV292NTC38-FXB.....	C-79	YAV300M10.....	C-113	YAV4C-TC516-FXB.....	C-64
YAV26L-TC34-FX.....	C-49	YAV292TC14E2-FXB.....	C-79	YAV300M12.....	C-113	YAV5002M16.....	C-120
YAV26L-TC38-FX.....	C-49	YAV292TC38-FXB.....	C-79	YAV300M14.....	C-113	YAV5002M20.....	C-120
YAV26L-TC516-FX.....	C-49	YAV29L2NT38FX.....	C-71	YAV300M16.....	C-113	YAV500F2M12.....	C-133
YAV26L-TC58-FX.....	C-49	YAV29-L2NTC-FX.....	C-68	YAV300M20.....	C-113	YAV500F2M16.....	C-133
YAV26-RS.....	B-23	YAV29L2TC12E1FX.....	C-68	YAV352M10.....	C-119	YAV500F2M20.....	C-133
YAV26-RS3.....	B-23	YAV29-L2TC12-FX.....	C-68	YAV352M12.....	C-119	YAV500FM12.....	C-127
YAV26-TC12-FXB.....	C-64	YAV29-L2TC14E2-FX.....	C-68	YAV352M5.....	C-119	YAV500FM16.....	C-127
YAV26-TC38-FXB.....	C-64	YAV29-L2TC14-FX.....	C-68	YAV352M6.....	C-119	YAV500FM20.....	C-127
YAV272N-FXB.....	C-79	YAV29-L2TC38-FX.....	C-68	YAV352M8.....	C-119	YAV500M12.....	C-114
YAV272TC14E2-FXB.....	C-79	YAV29-L2TC516-FX.....	C-68	YAV35M10.....	C-112	YAV500M16.....	C-114
YAV272TC38-FXB.....	C-79	YAV29L-TC12-FX.....	C-50	YAV35M12.....	C-112	YAV500M20.....	C-114
YAV27-L.....	B-17	YAV29L-TC14-FX.....	C-50	YAV35M5.....	C-112	YAV502M10.....	C-119
YAV27-L1.....	B-17	YAV29L-TC34-FX.....	C-50	YAV35M6.....	C-112	YAV502M12.....	C-119
YAV27-L15.....	B-17	YAV29L-TC38-FX.....	C-50	YAV35M8.....	C-112	YAV502M14.....	C-119
YAV27-L15BOX.....	B-17	YAV29L-TC516-FX.....	C-50	YAV3C2NFXB.....	C-78	YAV502M16.....	C-119
YAV27-L1BOX.....	B-17	YAV29L-TC58-FX.....	C-50	YAV4002M14.....	C-120	YAV502M6.....	C-119
YAV27L2NTCFX.....	C-68	YAV2C2N-FXB.....	C-78	YAV4002M16.....	C-120	YAV502M8.....	C-119
YAV27-L2TC14-FX.....	C-68	YAV2C2TC14E1-FXB.....	C-78	YAV4002M20.....	C-120	YAV50F2M10.....	C-132
YAV27-L2TC38-FX.....	C-68	YAV2C2TC14E2-FXB.....	C-78	YAV400F2M12.....	C-133	YAV50F2M12.....	C-132
YAV27L4TC14FXG1.....	C-106	YAV2C2TC14-FXB.....	C-78	YAV400F2M14.....	C-133	YAV50F2M14.....	C-132
YAV27-LBOX.....	B-17	YAV2C2TC38-FXB.....	C-78	YAV400F2M16.....	C-133	YAV50F2M16.....	C-132
YAV27LNT12FX.....	C-53	YAV2C2TC516-FXB.....	C-78	YAV400F2M20.....	C-133	YAV50F2M6.....	C-132
YAV27L-TC10-FX.....	C-50	YAV2C-L.....	B-16	YAV400FM12.....	C-127	YAV50F2M8.....	C-132
YAV27L-TC12-FX.....	C-50	YAV2C-L1.....	B-16	YAV400FM14.....	C-127	YAV50FM10.....	C-126
YAV27L-TC14-FX.....	C-50	YAV2C-L1BOX.....	B-16	YAV400FM16.....	C-127	YAV50FM12.....	C-126
YAV27L-TC38-FX.....	C-50	YAV2C-L2.....	B-16	YAV400FM20.....	C-127	YAV50FM14.....	C-126
YAV27L-TC516-FX.....	C-50	YAV2C-L2BOX.....	B-16	YAV400M12.....	C-114	YAV50FM16.....	C-126
YAV27-RS.....	B-23	YAV2CL2NT10FX.....	C-71	YAV400M14.....	C-114	YAV50FM6.....	C-126
YAV27-TC12-FXB.....	C-64	YAV2CL2NT14E1FX.....	C-71	YAV400M16.....	C-114	YAV50FM8.....	C-126
YAV282N-FXB.....	C-79	YAV2CL2NT14FX.....	C-71	YAV400M20.....	C-114	YAV50M10.....	C-112
YAV282NT38-FXB.....	C-79	YAV2C-L2NTC-FX.....	C-67	YAV4C2N-FXB.....	C-78	YAV50M12.....	C-112
YAV282NTC38-FXB.....	C-79	YAV2C-L2TC14E1-FX.....	C-67	YAV4C2TC14E2-FXB.....	C-78	YAV50M14.....	C-112
YAV282TC14E2-FXB.....	C-79	YAV2C-L2TC14E2-FX.....	C-67	YAV4C2TC14-FXB.....	C-78	YAV50M16.....	C-112
YAV282TC38-FXB.....	C-79	YAV2C-L2TC14-FX.....	C-67	YAV4C2TC38-FXB.....	C-78	YAV50M5.....	C-112
YAV28-L.....	B-17	YAV2CL2TC14FXSL.....	C-100	YAV4C2TC516-FXB.....	C-78	YAV50M6.....	C-112
YAV28-L12.....	B-17	YAV2C-L2TC38-FX.....	C-67	YAV4C-L.....	B-16	YAV50M8.....	C-112
YAV28-L12BOX.....	B-17	YAV2CL2TC38FXSL.....	C-100	YAV4C-L2.....	B-16	YAV6302M16.....	C-120
YAV28-L13.....	B-17	YAV2C-L2TC516-FX.....	C-67	YAV4C-L2BOX.....	B-16	YAV6302M20.....	C-120
YAV28-L13BOX.....	B-17	YAV2C-L4.....	B-16	YAV4CL2NT10E1FX.....	C-71	YAV630F2M12.....	C-133
YAV28-L14.....	B-17	YAV2C-L4BOX.....	B-16	YAV4CL2NT10FX.....	C-71	YAV630F2M16.....	C-133
YAV28-L14BOX.....	B-17	YAV2CL4TC14FXG1.....	C-106	YAV4CL2NT14FX.....	C-71	YAV630F2M20.....	C-133
YAV28L2ENT14FX.....	C-71	YAV2C-LBOX.....	B-16	YAV4C-L2NTC-FX.....	C-67	YAV630FM12.....	C-127
YAV28L2NT38FX.....	C-71	YAV2CLNT14FX.....	C-53	YAV4C-L2TC14E1-FX.....	C-67	YAV630FM16.....	C-127
YAV28-L2NTC-FX.....	C-68	YAV2CLNT516FX.....	C-53	YAV4C-L2TC14E2-FX.....	C-67	YAV630FM20.....	C-127
YAV28L2TC12E1FX.....	C-68	YAV2CL-TC10-FX.....	C-49	YAV4C-L2TC14-FX.....	C-67	YAV630M12.....	C-114
YAV28-L2TC12-FX.....	C-68	YAV2CL-TC12-FX.....	C-49	YAV4CL2TC14FXSL.....	C-100	YAV630M16.....	C-114
YAV28-L2TC14E2-FX.....	C-68	YAV2CL-TC14-FX.....	C-49	YAV4C-L2TC38-FX.....	C-67	YAV630M20.....	C-114
YAV28-L2TC14-FX.....	C-68	YAV2CL-TC38-FX.....	C-49	YAV4CL2TC38FXSL.....	C-100	YAV6C2N-FXB.....	C-78
YAV28-L2TC38-FX.....	C-68	YAV2CL-TC516-FX.....	C-49	YAV4C-L2TC516-FX.....	C-67	YAV6C2TC14E2-FXB.....	C-78
YAV28-L2TC516-FX.....	C-68	YAV2C-RS.....	B-23	YAV4C-L3.....	B-16	YAV6C2TC14-FXB.....	C-78
YAV28L4TC14FXG1.....	C-106	YAV2C-RS1.....	B-23	YAV4C-L3BOX.....	B-16	YAV6C2TC38-FXB.....	C-78
YAV28L4TCG1.....	C-106	YAV2C-RS2.....	B-23	YAV4C-L4.....	B-16	YAV6C-L.....	B-16
YAV28-L53.....	B-17	YAV2C-TC10-FXB.....	C-64	YAV4C-L4BOX.....	B-16	YAV6C-L1.....	B-16
YAV28-L53BOX.....	B-17	YAV2C-TC516-FXB.....	C-64	YAV4C-L5.....	B-16	YAV6C-L10.....	B-16
YAV28-LBOX.....	B-17	YAV3002M10.....	C-120	YAV4C-L5BOX.....	B-16	YAV6C-L10BOX.....	B-16
YAV28LNT12FX.....	C-53	YAV3002M12.....	C-120	YAV4C-LBOX.....	B-16	YAV6C-L1BOX.....	B-16
YAV28LNT38FX.....	C-53	YAV3002M14.....	C-120	YAV4CLNT10FX.....	C-53	YAV6C-L2.....	B-16
YAV28LNT516FX.....	C-53	YAV3002M16.....	C-120	YAV4CL-TC10-FX.....	C-49	YAV6C-L2BOX.....	B-16
YAV28L-TC12-FX.....	C-50	YAV3002M20.....	C-120			YAV6C-L2NTC-FX.....	C-67

ALPHA-NUMERIC INDEX BY CATALOG NUMBER (Continued)

Catalog Number	Page #	Catalog Number	Page #	Catalog Number	Page #	Catalog Number	Page #
YAV6C-L2TC10E2-FX.....	C-67	YAV95F2M12.....	C-132	YAZ29-2TC38.....	C-44	YAZ382NTCFX.....	C-76
YAV6C-L2TC10E4-FX.....	C-67	YAV95F2M14.....	C-132	YAZ294TCG1.....	C-107	YAZ382TC38FX.....	C-76
YAV6C-L2TC10E9-FX.....	C-67	YAV95F2M16.....	C-132	YAZ29TC12.....	C-25	YAZ38NT12FX.....	C-62
YAV6C-L2TC10-FX.....	C-67	YAV95F2M20.....	C-132	YAZ29TC38.....	C-25	YAZ38NT38FX.....	C-62
YAV6CL2TC10FX90SL.....	C-100	YAV95F2M8.....	C-132	YAZ2C-2N.....	C-43	YAZ38TC12.....	C-26
YAV6C-L2TC14E1-FX.....	C-67	YAV95FM10.....	C-126	YAZ2C-2NTC38.....	C-43	YAZ38TC12FX.....	C-62
YAV6C-L2TC14E2-FX.....	C-67	YAV95FM12.....	C-126	YAZ2C-2TC10E2.....	C-43	YAZ38TC38FX.....	C-62
YAV6C-L2TC14-FX.....	C-67	YAV95FM14.....	C-126	YAZ2C-2TC14.....	C-43	YAZ39-2N.....	C-44
YAV6C-L2TC38-FX.....	C-67	YAV95FM16.....	C-126	YAZ2C-2TC14E1.....	C-43	YAZ39-2NNT.....	C-44
YAV6C-L2TC516-FX.....	C-67	YAV95FM20.....	C-126	YAZ2C-2TC14E2.....	C-43	YAZ39-2NT38.....	C-44
YAV6C-L4.....	B-16	YAV95FM8.....	C-126	YAZ2C-2TC38.....	C-43	YAZ39-2TC38.....	C-44
YAV6C-L4BOX.....	B-16	YAV95M10.....	C-113	YAZ2C-2TC38E2.....	C-43	YAZ39NT12.....	C-26
YAV6C-LBOX.....	B-16	YAV95M12.....	C-113	YAZ2C-2TC38E6.....	C-43	YAZ39TC12.....	C-26
YAV6CL-TC10-FX.....	C-49	YAV95M14.....	C-113	YAZ2C2TC38SL.....	C-102	YAZ39TC38.....	C-26
YAV6CL-TC12-FX.....	C-49	YAV95M16.....	C-113	YAZ2C2TC38SLBOX500.....	C-102	YAZ3C-2N.....	C-43
YAV6CL-TC14-FX.....	C-49	YAV95M20.....	C-113	YAZ2C-2TC516E2.....	C-43	YAZ3C-2TC14.....	C-43
YAV6CL-TC34-FX.....	C-49	YAV95M6.....	C-113	YAZ2C2TC516E7.....	C-43	YAZ3C-2TC14E2.....	C-43
YAV6CL-TC38-FX.....	C-49	YAV95M8.....	C-113	YAZ2CTC12.....	C-24	YAZ3C-2TC38.....	C-43
YAV6CL-TC516-FX.....	C-49	YAV9CL36.....	B-15	YAZ2CTC14.....	C-24	YAZ3C-2TC38E2.....	C-43
YAV6C-RS.....	B-23	YAV9C-L36BOX.....	B-15	YAZ2CTC38.....	C-24	YAZ3C2TC38SL.....	C-102
YAV6C-RS1.....	B-23	YAV9CT4.....	B-15	YAZ30-2N.....	C-44	YAZ3C2TC38SLBOX500.....	C-102
YAV6C-RS2.....	B-23	YAV9C-T4BOX.....	B-15	YAZ30-2TC38.....	C-44	YAZ3CTC12.....	C-24
YAV6C-RS4.....	B-23	YAV9CT9.....	B-15	YAZ302TC38FX.....	C-75	YAZ3CTC14.....	C-24
YAV6C-TC10-FXB.....	C-64	YAV9C-T9BOX.....	B-15	YAZ30TC12.....	C-25	YAZ3CTC38.....	C-24
YAV6C-TC14-FXB.....	C-64	YAZ1C-2N.....	C-43	YAZ30TC38.....	C-25	YAZ40-2N.....	C-44
YAV702M10.....	C-119	YAZ1C-2TC14.....	C-43	YAZ30TC38FX.....	C-62	YAZ402NTCFX.....	C-76
YAV702M12.....	C-119	YAZ1C-2TC14E2.....	C-43	YAZ31-2N.....	C-44	YAZ40TC12.....	C-26
YAV702M14.....	C-119	YAZ1C-2TC38.....	C-43	YAZ312NTCFX.....	C-75	YAZ41-2N.....	C-44
YAV702M16.....	C-119	YAZ1CTC12.....	C-24	YAZ31-2TC14E2.....	C-44	YAZ41TC12.....	C-26
YAV702M6.....	C-119	YAZ1CTC14.....	C-24	YAZ312TC14E2FX.....	C-75	YAZ44-2N.....	C-45
YAV702M8.....	C-119	YAZ1CTC38.....	C-24	YAZ31-2TC38.....	C-44	YAZ442NT38FX.....	C-76, C-82
YAV70F2M10.....	C-132	YAZ25-2N.....	C-43	YAZ312TC38FX.....	C-75	YAZ44-2TC38.....	C-45
YAV70F2M12.....	C-132	YAZ25-2NTC38.....	C-43	YAZ314TCG1.....	C-107	YAZ44TC12.....	C-26
YAV70F2M14.....	C-132	YAZ25-2TC14.....	C-43	YAZ31TC12.....	C-25	YAZ44TC38.....	C-26
YAV70F2M16.....	C-132	YAZ25-2TC14E1.....	C-43	YAZ31TC38.....	C-25	YAZ45-2N.....	C-45
YAV70F2M6.....	C-132	YAZ25-2TC14E2.....	C-43	YAZ31TC38FX.....	C-62	YAZ453-2N.....	C-45
YAV70F2M8.....	C-132	YAZ252TC14E3.....	C-43	YAZ32-2N.....	C-44	YAZ453TC12.....	C-26
YAV70FM10.....	C-126	YAZ25-2TC38.....	C-43	YAZ32-2TC38.....	C-44	YAZ45TC12.....	C-26
YAV70FM12.....	C-126	YAZ25-2TC516.....	C-43	YAZ322TC38FX.....	C-75	YAZ46-2N.....	C-45
YAV70FM14.....	C-126	YAZ25-2TC516E6.....	C-43	YAZ32TC12.....	C-25	YAZ46TC12.....	C-26
YAV70FM16.....	C-126	YAZ254TC38E1G1.....	C-107	YAZ32TC38.....	C-25	YAZ47-2N.....	C-45
YAV70FM6.....	C-126	YAZ254TCG1.....	C-107	YAZ32TC38FX.....	C-62	YAZ47TC12.....	C-26
YAV70FM8.....	C-126	YAZ25TC12.....	C-25	YAZ33-2N.....	C-44	YAZ48-2N.....	C-45
YAV70M10.....	C-113	YAZ25TC14.....	C-25	YAZ33TC12.....	C-25	YAZ48TC12.....	C-26
YAV70M12.....	C-113	YAZ25TC38.....	C-25	YAZ34-2N.....	C-44	YAZ4C-2N.....	C-42
YAV70M14.....	C-113	YAZ25TC516.....	C-25	YAZ342NT38FX.....	C-75, C-82	YAZ4C-2TC10-E2.....	C-42
YAV70M16.....	C-113	YAZ26-2N.....	C-43	YAZ342NTCFX.....	C-75	YAZ4C-2TC14.....	C-42
YAV70M5.....	C-113	YAZ26-2TC14.....	C-43	YAZ34-2TC14E2.....	C-44	YAZ4C-2TC14E2.....	C-42
YAV70M6.....	C-113	YAZ262TC14E1.....	C-43	YAZ342TC14E2FX.....	C-75	YAZ4C-2TC38.....	C-42
YAV70M8.....	C-113	YAZ26-2TC14E2.....	C-43	YAZ34-2TC38.....	C-44	YAZ4CTC12.....	C-24
YAV8C-L.....	B-16	YAZ26-2TC38.....	C-43	YAZ342TC38FX.....	C-75	YAZ4CTC14.....	C-24
YAV8C-L1.....	B-16	YAZ262TC38E16.....	C-43	YAZ34NT38FX.....	C-62	YAZ4CTC38.....	C-24
YAV8C-L1BOX.....	B-16	YAZ264TC38E1G1.....	C-107	YAZ34TC12.....	C-25	YAZ5C-2N.....	C-42
YAV8C-L2.....	B-16	YAZ264TCG1.....	C-107	YAZ34TC12FX.....	C-62	YAZ5CTC12.....	C-24
YAV8C-L2BOX.....	B-16	YAZ26TC12.....	C-25	YAZ34TC38.....	C-25	YAZ6C-2N.....	C-42
YAV8C-L3.....	B-16	YAZ26TC14.....	C-25	YAZ34TC38FX.....	C-62	YAZ6C-2TC10E2.....	C-42
YAV8C-L3BOX.....	B-16	YAZ26TC38.....	C-25	YAZ35-2N.....	C-44	YAZ6C-2TC14.....	C-42
YAV8C-L4.....	B-16	YAZ27-2N.....	C-43	YAZ35TC12.....	C-25	YAZ6C-2TC14E1.....	C-42
YAV8C-L4BOX.....	B-16	YAZ27-2TC14E2.....	C-43	YAZ36-2N.....	C-44	YAZ6C-2TC14E2.....	C-42
YAV8C-LBOX.....	B-16	YAZ27-2TC38.....	C-43	YAZ36-2TC38.....	C-44	YAZ6C-2TC38.....	C-42
YAV8C-RS.....	B-23	YAZ27TC12.....	C-25	YAZ362TC38FX.....	C-75	YAZ6C2TC38E16.....	C-42
YAV8C-RS1.....	B-23	YAZ27TC38.....	C-25	YAZ36TC12.....	C-26	YAZ6C-2TC38E2.....	C-42
YAV8C-RS3.....	B-23	YAZ28-2N.....	C-44	YAZ36TC38.....	C-26	YAZ6C-2TC38E6.....	C-42
YAV952M10.....	C-120	YAZ28-2NTC38.....	C-44	YAZ36TC38FX.....	C-62	YAZ6CTC12.....	C-24
YAV952M12.....	C-120	YAZ28-2TC14E2.....	C-44	YAZ37-2N.....	C-44	YAZ6CTC14.....	C-24
YAV952M14.....	C-120	YAZ28-2TC38.....	C-44	YAZ37TC12.....	C-26	YAZ6CTC38.....	C-24
YAV952M16.....	C-120	YAZ284TCG1.....	C-107	YAZ382ENT38FX.....	C-82	YAZ8C-2TC10.....	C-42
YAV952M20.....	C-120	YAZ28TC12.....	C-25	YAZ38-2N.....	C-44	YAZ8C2TC1090SL.....	C-102
YAV952M8.....	C-120	YAZ28TC38.....	C-25	YAZ382NT38FX.....	C-76, C-82	YAZ8C-2TC10E2.....	C-42
YAV95F2M10.....	C-132	YAZ29-2N.....	C-44			YAZ8C2TC10E2FX.....	C-74

ALPHA-NUMERIC INDEX BY CATALOG NUMBER (Continued)

Catalog Number	Page #	Catalog Number	Page #	Catalog Number	Page #	Catalog Number	Page #
YAZ8C2TC10FX.....	C-74	YAZV2C2TC14FX.....	C-74	YBM2C-L.....	B-26	YCA31-2N.....	H-75
YAZ8C2TC10SL.....	C-102	YAZV2C2TC14FXSL.....	C-104	YBM2C-L1.....	B-26	YCA321R-2N.....	H-77
YAZ8C-2TC14.....	C-42	YAZV2C2TC14FXSLBOX500.....	C-104	YBM2C-L2.....	B-26	YCA321RL-2N.....	H-76
YAZ8C-2TC14E1.....	C-42	YAZV2C2TC38FX.....	C-74	YBM4C-L.....	B-26	YCA32-2N.....	H-75
YAZ8C2TC14E1FX.....	C-74	YAZV2C2TC38FXSL.....	C-104	YBM4C-L1.....	B-26	YCA33R-2N.....	H-77
YAZ8C-2TC14E2.....	C-42	YAZV2C2TC38FXSLBOX500.....	C-104	YBM4C-L2.....	B-26	YCA34-2N.....	H-75
YAZ8C2TC14E2FX.....	C-74	YAZV2CTC12FX.....	C-61	YBM4C-L4.....	B-26	YCA35R-2N.....	H-77
YAZ8C2TC14FX.....	C-74	YAZV2CTC14FX.....	C-61	YBM6C-L.....	B-26	YCA361R-2N.....	H-77
YAZ8C-2TC38.....	C-42	YAZV2CTC38FX.....	C-61	YBM6C-L2.....	B-26	YCA37R-2N.....	H-77
YAZ8C2TC38FX.....	C-74	YAZV4C2NT14E2FX.....	C-82	YBM6C-L3.....	B-26	YCA391A-2N.....	H-78
YAZ8CTC10.....	C-24, C-61	YAZV4C2TC14E2FX.....	C-74	YBM6C-L9.....	B-26	YCA39-2N.....	H-75
YAZ8CTC14.....	C-24, C-61	YAZV4C2TC14FX.....	C-74	YBM8C.....	B-26	YCA39R-2N.....	H-77
YAZ8CTC38.....	C-24, C-61	YAZV4C2TC14FXSL.....	C-104	YBM8C-T2.....	B-26	YCA43R-2N.....	H-78
YAZV10-2TC14.....	C-42	YAZV4C2TC14FXSLBOX500.....	C-104	YBM8CT4.....	B-26	YCA441A-4N.....	H-78
YAZV102TC14E1.....	C-74	YAZV4C2TC38E2-FX.....	C-74	YC10C10.....	C-187, H-22	YCA44A2NG2.....	H-78
YAZV10-2TC14E2.....	C-42	YAZV4C2TC38FX.....	C-74	YC1L12.....	C-186	YCA451A-4N.....	H-78
YAZV102TC14SL.....	C-104	YAZV4C2TC38FXSL.....	C-104	YC1U1.....	H-26	YCA45R-2N.....	H-78
YAZV10TC14.....	C-24	YAZV4C2TC38FXSLBOX500.....	C-104	YC25A2.....	H-23	YCA48R-4N.....	H-78
YAZV1C2TC14E1FX.....	C-74	YAZV4CTC14FX.....	C-61	YC25A25.....	H-23	YCA4R-2N.....	H-77
YAZV1C2TC14E2FX.....	C-74	YAZV4CTC38FX.....	C-61	YC25A4.....	H-23	YCA4RL-2N.....	H-76
YAZV1C2TC14FX.....	C-74	YAZV6C2TC10E2FX.....	C-74	YC25L12.....	C-186	YCA28-4N.....	H-75
YAZV1C2TC38FX.....	C-74	YAZV6C2TC10FX90SL.....	C-104	YC26A25.....	H-23	YCA28-4N.....	H-75
YAZV1C2TC516E6FX.....	C-74	YAZV6C2TC14E1FX.....	C-74	YC26A26.....	H-23	YCA28-4N.....	H-75
YAZV1C2TC516FX.....	C-74	YAZV6C2TC14E2FX.....	C-74	YC26C2.....	C-187, H-22	YCA28-4N.....	H-75
YAZV1CTC14FX.....	C-61	YAZV6C2TC14FX.....	C-74	YC26C26.....	C-187, H-22	YCA28-4N.....	H-75
YAZV1CTC38FX.....	C-61	YAZV6C2TC14FXSL.....	C-104	YC26L12.....	C-186	YCA25R-4N.....	H-77
YAZV1CTC516FX.....	C-61	YAZV6C2TC14FXSLBOX500.....	C-104	YC27L12.....	C-186	YCA28A-2G1.....	H-80
YAZV252NT14FX.....	C-82	YAZV6C2TC38E2FX.....	C-74	YC28A2.....	H-23	YCA28R-4N.....	H-77
YAZV252NTCFX.....	C-74	YAZV6C2TC38E6FX.....	C-74	YC28A25.....	H-23	YCA28A-2G1.....	H-80
YAZV252TC14E2FX.....	C-74	YAZV6C2TC38FX.....	C-74	YC28A26.....	H-23	YCA28R-4N.....	H-77
YAZV252TC14FX.....	C-74	YAZV6C2TC38FXSL.....	C-104	YC28A28.....	H-23	YCA28A-2G1.....	H-80
YAZV252TC14FXSL.....	C-104	YAZV6C2TC38FXSLBOX500.....	C-104	YC28C2.....	C-187, H-22	YCA28R-4N.....	H-77
YAZV252TC14FXSLBOX500.....	C-104	YAZV6CTC14FX.....	C-61	YC28C26.....	C-187, H-22	YCA28R-4N.....	H-77
YAZV252TC38FX.....	C-74	YAZV6CTC38FX.....	C-61	YC28C28.....	C-187, H-22	YCA28R-4N.....	H-77
YAZV252TC38FXSL.....	C-104	YBA15ALKIT.....	C-95	YC28U26.....	H-26	YCA28R-4N.....	H-77
YAZV252TC38FXSLBOX500.....	C-104	YBA25A.....	C-94	YC2A2.....	H-23	YCA28R-4N.....	H-77
YAZV25TC12FX.....	C-61	YBA26A.....	C-94	YC2A4.....	H-23	YCA28R-4N.....	H-77
YAZV25TC14FX.....	C-61	YBA27A.....	C-94	YC2C2.....	C-187, H-22	YCA28R-4N.....	H-77
YAZV25TC38FX.....	C-61	YBA28A.....	C-94	YC2C4.....	C-187, H-22	YCA28R-4N.....	H-77
YAZV262NTCFX.....	C-75	YBA29.....	C-91	YC2L12.....	C-186	YCA28R-4N.....	H-77
YAZV262TC14E2FX.....	C-75	YBA29A.....	C-94	YC33R26.....	H-23	YCA28R-4N.....	H-78
YAZV262TC14FX.....	C-75	YBA30A.....	C-94	YC33R26U.....	H-26	YCA28R-4N.....	H-80
YAZV262TC14FXSL.....	C-104	YBA31A.....	C-94	YC3L12.....	C-186	YCA28R-4N.....	H-77
YAZV262TC14FXSLBOX500.....	C-104	YBA31FX.....	C-91	YC4A4.....	H-23	YCA28R-4N.....	H-78
YAZV262TC38E6FX.....	C-75	YBA32A.....	C-94	YC4A6.....	H-23	YCA28R-4N.....	H-80
YAZV262TC38FX.....	C-75	YBA32FX.....	C-91	YC4C4.....	C-187, H-22	YCA28R-4N.....	H-78
YAZV262TC38FXSL.....	C-104	YBA34A.....	C-94	YC4C6.....	C-187, H-22	YCA28R-4N.....	H-78
YAZV262TC38FXSLBOX500.....	C-104	YBA34FX.....	C-91	YC4C8.....	C-187, H-22	YCA28R-4N.....	H-78
YAZV26TC12FX.....	C-61	YBA36A.....	C-94	YC4L12.....	C-186	YCB1U1.....	H-39
YAZV26TC14FX.....	C-61	YBA36FX.....	C-92	YC4U1.....	H-26	YCB25R.....	H-38
YAZV26TC38FX.....	C-61	YBA36FX58.....	C-92	YC6L12.....	C-186	YCB26R.....	H-38
YAZV272TC14E2FX.....	C-75	YBA38FX.....	C-92	YC8C8.....	C-187, H-22	YCB27R.....	H-38
YAZV272TC38FX.....	C-75	YBA39.....	C-92	YC8L12.....	C-186	YCB28R.....	H-38
YAZV27TC38FX.....	C-61	YBA39A.....	C-94	YCA25-2N.....	H-75	YCB28U26.....	H-39
YAZV282NT38FX.....	C-82	YBA42A.....	C-94	YCA25R-2N.....	H-77	YCB2R.....	H-38
YAZV282NTCFX.....	C-75	YBA44A.....	C-94	YCA25RL-2N.....	H-76	YCB321R.....	H-38
YAZV282TC14E2FX.....	C-75	YBA44FX.....	C-92	YCA26-2N.....	H-75	YCB33R.....	H-38
YAZV282TC14FXSL.....	C-104	YBA44FX58.....	C-92	YCA26R-2N.....	H-77	YCB33R26U.....	H-39
YAZV282TC14FXSLBOX500.....	C-104	YBAFX15CLKIT.....	C-95	YCA26RL-2N.....	H-76	YCB35R.....	H-38
YAZV282TC38FX.....	C-75	YBAV25FX14.....	C-91	YCA27-2N.....	H-75	YCB361R.....	H-38
YAZV282TC38FXSL.....	C-104	YBAV26FX14.....	C-91	YCA27R-2N.....	H-77	YCB38R26U.....	H-39
YAZV282TC38FXSLBOX500.....	C-104	YBAV27FX14.....	C-91	YCA27RL-2N.....	H-76	YCB4U1.....	H-39
YAZV28NT38FX.....	C-61	YBAV28FX.....	C-91	YCA28-2N.....	H-75	YCHC29TC2.....	C-188
YAZV28TC12FX.....	C-61	YBM1C-L.....	B-26	YCA28-2N.....	H-77	YCHC29TC29.....	C-188
YAZV28TC38FX.....	C-61	YBM1C-L3.....	B-26	YCA28R-2N.....	H-77	YCHC2TC2.....	C-188
YAZV292NT516FX.....	C-75, C-82	YBM25-L.....	B-26	YCA28RL-2N.....	H-76	YCHC34TC2.....	C-188
YAZV29NT516FX.....	C-61	YBM25-L1.....	B-26	YCA29-2N.....	H-75	YCHC34TC29.....	C-188
YAZV2C2NT14E2FX.....	C-82	YBM25-L2.....	B-26	YCA2R-2N.....	H-77	YCHC34TC34.....	C-188
YAZV2C2NTCFX.....	C-74	YBM26-L.....	B-26	YCA2RL-2N.....	H-76	YCHC39TC2.....	C-188
YAZV2C2TC14E2FX.....	C-74	YBM28-1/4.....	B-26	YCA30-2N.....	H-75	YCHC39TC31.....	C-188
				YCA30R-2N.....	H-77	YCHC39TC39.....	C-188

ALPHA-NUMERIC INDEX BY CATALOG NUMBER (Continued)

Catalog Number	Page #	Catalog Number	Page #	Catalog Number	Page #	Catalog Number	Page #
YCHC44TC44	C-188	YCU25A	H-50	YDS28	H-64	YDS3K10	H-67
YCHC8TC8	C-188	YCU25R	H-55	YDS28AT	H-57	YDS3K5	H-67
YCR25RG6	H-54	YCU26R	H-55	YDS28F	H-58, H-60	YDS3K6	H-67, H-68
YCR2625	H-53	YCU27R	H-55	YDS28R	H-68	YDS3K7	H-67
YCR26RG2	H-54	YCU28A	H-50	YDS28RE	H-62	YDS3K8	H-67
YCR26RG3	H-54	YCU28R	H-55	YDS28RL	H-64	YDS3W	H-56
YCR2725	H-53	YCU291A	H-50	YDS28R2	H-59	YDS40R	H-63
YCR27RG5	H-54	YCU2CA	H-50	YDS28R2R	H-61	YDS41RP2	H-62, H-63
YCR27RG6	H-54	YCU2R	H-55	YDS28RP1	H-62, H-64	YDS42R	H-63
YCR2825	H-53	YCU301A	H-50	YDS28RP2	H-62	YDS431AT	H-58
YCR28RG5	H-54	YCU30R	H-55	YDS29	H-57	YDS43R43RS	H-63
YCR28RG6	H-54	YCU321R	H-55	YDS291AT	H-58	YDS43R45RS	H-63
YCR28RG7	H-54	YCU4R	H-55	YDS291R	H-62	YDS43RP1	H-63
YCR28RG8	H-54	YCU4RG1	H-55	YDS291RP1	H-62	YDS43RP2	H-63
YCR291RG2	H-54	YCU4R2	H-55	YDS29AT	H-58	YDS44	H-57
YCR291RG3	H-54	YD28REP2	H-64	YDS2C	H-50, H-57	YDS44RP2	H-62
YCR291RG4	H-54	YDR25R2RL	H-66	YDS2C-3	H-57	YDS451R34RS	H-63
YCR291RG5	H-54	YDR25R4RL	H-66	YDS2CA	H-58, H-60	YDS451R49RS	H-63
YCR30RG4	H-54	YDR27R25RL	H-66	YDS2F	H-68	YDS451RP1	H-63
YCR30RG6	H-54	YDR28R26R	H-66	YDS2KT	H-68	YDS45R45RS	H-63
YCR30RG7	H-54	YDR28R27R	H-66	YDS2RE	H-64	YDS45RP1	H-63
YCR32RG1	H-54	YDR2R4RG1	H-66	YDS2REP2	H-64	YDS45RP2	H-63
YCR32RG2	H-54	YDR391RL321RL	H-66	YDS2RL	H-59	YDS49R	H-63
YCR32RG3	H-54	YDS011R	H-63	YDS2RLY	H-61	YDS49RP1	H-63
YCR32RG4	H-54	YDS011RP1	H-63	YDS2W	H-50, H-56	YDS49RP2	H-63
YCR32RG5	H-54	YDS021R	H-62	YDS2WA	H-58	YDS4C	H-50, H-57
YCR32RG6	H-54	YDS021RE	H-64	YDS30	H-57	YDS4CA	H-49, H-58
YCR32RG7	H-54	YDS021REP1	H-64	YDS301AT	H-58	YDS4KT	H-68
YCS25	H-50	YDS021RL	H-59	YDS30LT	H-60	YDS4RL	H-59
YCS25R	H-49, H-51	YDS021RLY	H-61	YDS30R	H-62	YDS4RLY	H-61
YCS25RL	H-52	YDS021RP1	H-62	YDS30RP1	H-62	YDS4W	H-50, H-56
YCS26	H-50	YDS1C	H-50, H-57	YDS30RP2	H-62	YDS4WA	H-49, H-58
YCS26A	H-53	YDS1C-3	H-57	YDS31	H-57	YDS500H	H-64
YCS26R	H-51	YDS1R	H-62	YDS311AT	H-58, H-60	YDS50R	H-63
YCS26RL	H-52	YDS1RP1	H-62	YDS312E	H-64	YDS6C	H-50, H-57
YCS27	H-50	YDS1RP2	H-62	YDS312H	H-64	YDS6CA	H-58
YCS27R	H-51	YDS1W	H-56	YDS31AT	H-58	YDS6KT	H-68
YCS28	H-50	YDS25	H-57	YDS32	H-57	YDS6W	H-50, H-56
YCS28A	H-53	YDS250E	H-64	YDS321R	H-62	YDS6WA	H-58
YCS28R	H-51	YDS251R	H-63	YDS321RL	H-59	YDS6WK	H-67
YCS29	H-50	YDS251RP1	H-63	YDS321RLY	H-61	YDS75	H-56
YCS2R	H-51	YDS25AT	H-49, H-58, H-60	YDS321RP1	H-62	YDS76	H-56
YCS30	H-50	YDS25F	H-68	YDS326R	H-62	YDS78	H-56
YCS301A	H-53	YDS25R	H-62	YDS32LT	H-60	YDS7K5	H-67
YCS30R	H-51	YDS25REP2	H-64	YDS32R	H-62	YDS7K6	H-67
YCS31	H-50	YDS25RL	H-59	YDS32RP2	H-62	YDS7K7	H-67
YCS311A	H-53	YDS25RLY	H-61	YDS331AT	H-58, H-60	YDS7M10T	H-68, I-45
YCS32	H-50	YDS25RP1	H-62, H-64	YDS33R	H-62	YDS7M6T	H-68, I-45
YCS321R	H-51	YDS25RP2	H-62	YDS33RP1	H-62	YDS7M7T	H-68, I-45
YCS321RL	H-52	YDS26	H-57	YDS34	H-57	YDS7M8T	H-68, I-45
YCS331A	H-53	YDS261R	H-63	YDS341RL	H-60	YDS7M9T	H-68, I-45
YCS33R	H-51	YDS261RP1	H-63	YDS34R	H-62	YDS8KT	H-68
YCS34	H-50	YDS26AT	H-58	YDS34RP2	H-62, H-63	YDS8W	H-50, H-56
YCS341RL	H-52	YDS26F	H-68	YDS351AT	H-58	YDS8WG1	H-56
YCS351A	H-53	YDS26R	H-62	YDS35R	H-62	YDS8WK	H-67
YCS35R	H-51	YDS26RL	H-59	YDS35RP1	H-62	YDSR25RL	H-65
YCS361A	H-53	YDS26RLY	H-61	YDS361AT	H-58	YDSR26RL	H-65
YCS361R	H-51	YDS26RP1	H-62, H-64	YDS361R	H-62, H-64	YDSR27RL	H-65
YCS37R	H-51	YDS26RP2	H-62	YDS361RL	H-60, H-65	YDSR28RL	H-65
YCS39	H-50	YDS27	H-57	YDS361RP1	H-62, H-64	YDSR2RL	H-65
YCS391A	H-53	YDS271R	H-63	YDS36LT	H-60	YDSR321RL	H-65
YCS39R	H-51	YDS271RP1	H-63	YDS36R	H-62	YDSR341RL	H-65
YCS43R	H-51	YDS27AT	H-58, H-60	YDS36RP2	H-62, H-63	YDSR4RL	H-65
YCS44	H-50	YDS27R	H-62	YDS375H	H-64	YE1WAG1	H-43
YCS453R	H-51	YDS27RE	H-64	YDS37RP1	H-62	YE25-LH97	H-43
YCS45R	H-51	YDS27RL	H-59	YDS39	H-57	YE25R-25	H-43
YCS4R	H-51	YDS27RLY	H-61	YDS391AT	H-58	YE26-LH88	H-43
YCT2626	H-32	YDS27RP1	H-62, H-64	YDS392R	H-63	YE26-LH89	H-43
YCT2828	H-32	YDS27RP2	H-62, H-63, H-64	YDS39RP1	H-63	YE26R-60	H-43
				YDS3C-3	H-57	YE27R-60	H-43

ALPHA-NUMERIC INDEX BY CATALOG NUMBER (Continued)

Catalog Number	Page #	Catalog Number	Page #	Catalog Number	Page #	Catalog Number	Page #
YE28-LH128.....	H-43	YEV28P46X92FX.....	C-138	YF0612IW.....	B-89	YF1606IT.....	B-88
YE28R-60.....	H-43	YEV2CP20X75FX.....	C-140	YF0612UI.....	B-86	YF1606IW.....	B-88
YE29P31X109.....	C-140	YEV2CP23X75FX.....	C-139	YF0615UI.....	B-86	YF1607UI.....	B-85
YE29P41X82.....	C-140	YEV2CP26X75FX.....	C-138	YF0618ID.....	B-89	YF1608ID.....	B-88
YE29P46X92.....	C-139	YEV4CP16X75FX.....	C-140	YF0618IT.....	B-89	YF1608IT.....	B-88
YE29P50X100.....	C-138	YEV4CP20X75FX.....	C-138	YF0618IW.....	B-89	YF1608IW.....	B-88
YE2C-LH128.....	H-43	YF0112ID.....	B-89	YF0618UI.....	B-86	YF1608UI.....	B-85
YE2C-LH129.....	H-43	YF0112IT.....	B-89	YF0625UI.....	B-86	YF1610ID.....	B-88
YE2R-25.....	H-43	YF0112IW.....	B-89	YF0801TOOL.....	N-41	YF1610IT.....	B-88
YE2WAG5.....	H-43	YF0116ID.....	B-89	YF0812ID.....	B-89	YF1610IW.....	B-88
YE30P46X92.....	C-140	YF0116IT.....	B-89	YF0812IT.....	B-89	YF1610UI.....	B-85
YE30P46X92FX.....	C-139	YF0116IW.....	B-89	YF0812IW.....	B-89	YF1612ID.....	B-88
YE30P50X100.....	C-139	YF0120ID.....	B-89	YF0812UI.....	B-86	YF1612IT.....	B-88
YE30P50X100FX.....	C-138	YF0120IT.....	B-89	YF0815ID.....	B-89	YF1612IW.....	B-88
YE30P55X110.....	C-138	YF0120IW.....	B-89	YF0815IT.....	B-89	YF1612UI.....	B-85
YE30R-60.....	H-43	YF0122ID.....	B-89	YF0815IW.....	B-89	YF1615ID.....	B-88
YE31-LH96.....	H-43	YF0122IT.....	B-89	YF0815UI.....	B-86	YF1615IT.....	B-88
YE31P41X82FX.....	C-140	YF0122IW.....	B-89	YF0818ID.....	B-89	YF1615IW.....	B-88
YE31P50X100.....	C-140	YF0122UI.....	B-86	YF0818IT.....	B-89	YF1618ID.....	B-88
YE31P51X102FX.....	C-138	YF0125ID.....	B-89	YF0818IW.....	B-89	YF1618IT.....	B-88
YE31P55X110.....	C-139	YF0125IT.....	B-89	YF0818UI.....	B-86	YF1618IW.....	B-88
YE31P59X118.....	C-138	YF0125IW.....	B-89	YF103/0TOOL.....	N-41	YF1618UI.....	B-85
YE32P51X102FX.....	C-139	YF0125UI.....	B-86	YF1006TOOL.....	N-41	YF1618UI.....	B-87
YE32P55X110.....	C-140	YF0130ID.....	B-89	YF1010ID.....	B-88	YF1806IT.....	B-87
YE32P55X110FX.....	C-138	YF0130IT.....	B-89	YF1010IT.....	B-88	YF1806IW.....	B-87
YE32P59X118.....	C-139	YF0130IW.....	B-89	YF1010IW.....	B-88	YF1806UI.....	B-85
YE32P63X126.....	C-138	YF0132UI.....	B-86	YF1010UI.....	B-85	YF1808ID.....	B-88
YE32R-60.....	H-43	YF0215UI.....	B-86	YF1012ID.....	B-88	YF1808IT.....	B-88
YE34-LH119.....	H-43	YF0216ID.....	B-89	YF1012IT.....	B-88	YF1808IW.....	B-88
YE34-LH120.....	H-43	YF0216IT.....	B-89	YF1012IW.....	B-88	YF1808UI.....	B-85
YE34P51X102FX.....	C-140	YF0216IW.....	B-89	YF1012UI.....	B-85	YF1810ID.....	B-88
YE34P55X110FX.....	C-139	YF0218ID.....	B-89	YF1015UI.....	B-85	YF1810IT.....	B-88
YE34P59X118.....	C-140	YF0218IT.....	B-89	YF1018ID.....	B-88	YF1810IW.....	B-88
YE34P59X118FX.....	C-138	YF0218IW.....	B-89	YF1018IT.....	B-88	YF1810UI.....	B-85
YE34P63X126.....	C-139	YF0220UI.....	B-86	YF1018IW.....	B-88	YF1812ID.....	B-88
YE34P71X142.....	C-138	YF0222ID.....	B-89	YF1018UI.....	B-85	YF1812IT.....	B-88
YE36IR-60.....	H-43	YF0222IT.....	B-89	YF1209ID.....	B-88	YF1812IW.....	B-88
YE36P59X118FX.....	C-139	YF0222IW.....	B-89	YF1209IT.....	B-88	YF1812UI.....	B-85
YE36P63X126.....	C-140	YF0225ID.....	B-89	YF1209IW.....	B-88	YF1818ID.....	B-88
YE36P67X134FX.....	C-138	YF0225IT.....	B-89	YF1209UI.....	B-85	YF1818IT.....	B-88
YE36P71X142.....	C-139	YF0225IW.....	B-89	YF1210ID.....	B-88	YF1818IW.....	B-88
YE36P78X156.....	C-138	YF0225UI.....	B-86	YF1210IT.....	B-88	YF2/020ID.....	B-89
YE38P59X118FX.....	C-140	YF0232UI.....	B-86	YF1210IW.....	B-88	YF2/022UI.....	B-86
YE38P67X134FX.....	C-139	YF0401TOOL.....	N-41	YF1212ID.....	B-88	YF2/025ID.....	B-89
YE38P71X142FX.....	C-138	YF0412ID.....	B-89	YF1212IT.....	B-88	YF2/025UI.....	B-86
YE39P71X142.....	C-140	YF0412IT.....	B-89	YF1212IW.....	B-88	YF2/027ID.....	B-89
YE39P78X156.....	C-139	YF0412IW.....	B-89	YF1212UI.....	B-85	YF2/032UI.....	B-86
YE39P87X174.....	C-138	YF0412UI.....	B-86	YF1215UI.....	B-85	YF2006IT.....	B-87
YE39R-60.....	H-43	YF0415ID.....	B-89	YF1218ID.....	B-88	YF2006IW.....	B-87
YE40P67X134FX.....	C-140	YF0415IT.....	B-89	YF1218IT.....	B-88	YF2006UI.....	B-85
YE40P71X142FX.....	C-139	YF0415IW.....	B-89	YF1218IW.....	B-88	YF2008ID.....	B-87
YE40P78X156FX.....	C-138	YF0415UI.....	B-86	YF1218UI.....	B-85	YF2008IT.....	B-87
YE44P78X156FX.....	C-139	YF0416ID.....	B-89	YF1407UI.....	B-85	YF2008IW.....	B-87
YE44P87X174FX.....	C-138	YF0416IT.....	B-89	YF1408ID.....	B-88	YF2010ID.....	B-87
YE4R-25.....	H-43	YF0416IW.....	B-89	YF1408IT.....	B-88	YF2010IT.....	B-87
YE6R-25.....	H-43	YF0418ID.....	B-89	YF1408IW.....	B-88	YF2010IW.....	B-87
YEV1CP23X75FX.....	C-140	YF0418IT.....	B-89	YF1408UI.....	B-85	YF2010UI.....	B-85
YEV1CP26X75FX.....	C-139	YF0418IW.....	B-89	YF1410ID.....	B-88	YF2012ID.....	B-87
YEV1CP29X75FX.....	C-138	YF0418UI.....	B-86	YF1410IT.....	B-88	YF2012IT.....	B-87
YEV25P26X75FX.....	C-140	YF0420UI.....	B-86	YF1410IW.....	B-88	YF2012IW.....	B-87
YEV25P29X75FX.....	C-139	YF0422ID.....	B-89	YF1410UI.....	B-85	YF2012UI.....	B-85
YEV25P33X75FX.....	C-138	YF0422IT.....	B-89	YF1412ID.....	B-88	YF2018ID.....	B-87
YEV26P29X75FX.....	C-140	YF0422IW.....	B-89	YF1412IT.....	B-88	YF2018IT.....	B-87
YEV26P33X75FX.....	C-139	YF0425ID.....	B-89	YF1412IW.....	B-88	YF2018IW.....	B-87
YEV26P37X75FX.....	C-138	YF0425IT.....	B-89	YF1412UI.....	B-85	YF2205ID.....	B-87
YEV27P33X75FX.....	C-140	YF0425IW.....	B-89	YF1418ID.....	B-88	YF2205IT.....	B-87
YEV27P37X75FX.....	C-139	YF0425UI.....	B-86	YF1418IT.....	B-88	YF2205IW.....	B-87
YEV27P41X82FX.....	C-138	YF0432UI.....	B-86	YF1418IW.....	B-88	YF2206ID.....	B-87
YEV28P37X75FX.....	C-140	YF0612ID.....	B-89	YF1418UI.....	B-85	YF2206IT.....	B-87
YEV28P41X75FX.....	C-139	YF0612IT.....	B-89	YF1606ID.....	B-88	YF2206IW.....	B-87

ALPHA-NUMERIC INDEX BY CATALOG NUMBER (Continued)

Catalog Number	Page #	Catalog Number	Page #	Catalog Number	Page #	Catalog Number	Page #
YF2206UI	B-85	YFA32CPL2	K-46	YFMR34	K-51	YFTW1808D	B-91
YF2208ID	B-87	YFA32CR2	K-45	YFMR39	K-51	YFTW1808T	B-91
YF2208IT	B-87	YFA34CP-2	K-45	YFN-540	C-212	YFTW1808W	B-91
YF2208IW	B-87	YFA34CPL2	K-46	YFO-140	C-212	YFTW1810D	B-91
YF2208UI	B-85	YFA34CR2	K-45	YFR-865	C-212	YFTW1810T	B-91
YF2210FL	N-40	YFA39CP-2	K-45	YFS28CPL	K-42	YFTW1810W	B-91
YF2210ID	B-87	YFA39CPL2	K-46	YFS28CR	K-41	YFTW2008D	B-91
YF2210IT	B-87	YFA39CR2	K-45	YFS29CP	K-41	YFTW2008T	B-91
YF2210IW	B-87	YFAP282	K-47	YFS29CPL	K-42	YFTW2008W	B-91
YF2210TOOL	N-41	YFAP28L2	K-48	YFS29CR	K-41	YFTW2010D	B-91
YF2210UI	B-85	YFAP292	K-47	YFS30CP	K-41	YFTW2010T	B-91
YF2212ID	B-87	YFAP29L2	K-48	YFS30CPL	K-42	YFTW2010W	B-91
YF2212IT	B-87	YFAP302	K-47	YFS30CR	K-41	YFTW2208D	B-91
YF2212IW	B-87	YFAP30L2	K-48	YFS31CP	K-41	YFTW2208T	B-91
YF2212UI	B-85	YFAP312	K-47	YFS31CPL	K-42	YFTW2208W	B-91
YF2214TOOL	N-41	YFAP31L2	K-48	YFS31CR	K-41	YG14B2TC2C2C	E-31
YF2405UI	B-85	YFAP322	K-47	YFS32CP	K-41	YG14B2TC2C6C	E-31
YF2406IT	B-87	YFAP32L2	K-48	YFS32CPL	K-42	YG14BTC28	E-31
YF2406IW	B-87	YFAP342	K-47	YFS32CR	K-41	YG916BTC26	E-31
YF2407UI	B-85	YFAP34L2	K-48	YFS34CP	K-41	YGA25-2N	E-22
YF2408IT	B-87	YFAP392	K-47	YFS34CPL	K-42	YGA26-2N	E-22
YF2408IW	B-87	YFAP39L2	K-48	YFS34CR	K-41	YGA28-2N	E-22
YF25025ID	B-90	YFAR282	K-47	YFS39CP	K-41	YGA29-2N	E-22
YF25027ID	B-90	YFAR292	K-47	YFS39CPL	K-42	YGA2C-2N	E-22
YF25032ID	B-90	YFAR302	K-47	YFS39CR	K-41	YGA2C-2TC38	E-22
YF25032UI	B-86	YFAR312	K-47	YFSP28	K-43	YGA34-2N	E-22
YF25038ID	B-90	YFAR322	K-47	YFSP28L	K-44	YGA6C-2N	E-22
YF25040UI	B-86	YFAR342	K-47	YFSP29	K-43	YGA6C-2TC38E2G1	E-22
YF2605UI	B-85	YFAR392	K-47	YFSP29L	K-44	YGA6C-TC10	E-22
YF2606ID	B-87	YFD-365	C-212	YFSP30	K-43	YGA6C-TC14	E-22
YF2606IT	B-87	YFM28CP	K-49	YFSP30L	K-44	YGA6C-TC516	E-22
YF2606IW	B-87	YFM28CPL	K-50	YFSP31	K-43	YGA8C-2N	E-22
YF2607UI	B-85	YFM28CR	K-49	YFSP31L	K-44	YGA8C-TC10	E-22
YF2608ID	B-87	YFM29CP	K-49	YFSP32	K-43	YGA8C-TC14	E-22
YF2608IT	B-87	YFM29CPL	K-50	YFSP32L	K-44	YGA8C-TC516	E-22
YF2608IW	B-87	YFM29CR	K-49	YFSP34	K-43	YGC6C6	E-17
YF2610TOOL	N-41	YFM30CP	K-49	YFSP34L	K-44	YGC6C8	E-17
YF2806IT	B-87	YFM30CPL	K-50	YFSP39	K-43	YGC8C8	E-17
YF2806IW	B-87	YFM30CR	K-49	YFSP39L	K-44	YGF29-2N	E-26
YF2807UI	B-85	YFM31CP	K-49	YFSR28	K-43	YGF29-4N	E-26
YF2808IT	B-87	YFM31CPL	K-50	YFSR29	K-43	YGF34-2N	E-26
YF2808IW	B-87	YFM31CR	K-49	YFSR30	K-43	YGF34-4N	E-26
YF3/025ID	B-89	YFM32CP	K-49	YFSR31	K-43	YGHA25-2N	E-21
YF3/025UI	B-86	YFM32CPL	K-50	YFSR32	K-43	YGHA26-2N	E-21
YF3/030ID	B-89	YFM32CR	K-49	YFSR34	K-43	YGHA27-2N	E-21
YF3/030UI	B-86	YFM34CP	K-49	YFSR39	K-43	YGHA28-2N	E-21
YF3/032UI	B-86	YFM34CPL	K-50	YFTW0614D	B-91	YGHA29-2N	E-21
YF3206TOOL	N-41	YFM34CR	K-49	YFTW0614T	B-91	YGHA2C-2N	E-21
YF35032UI	B-86	YFM39CP	K-49	YFTW0614W	B-91	YGHA31-2N	E-21
YF35040UI	B-86	YFM39CPL	K-50	YFTW0814D	B-91	YGHA34-2N	E-21
YF4/0250TOOL	N-41	YFM39CR	K-49	YFTW0814T	B-91	YGHC26C2	E-15
YF4/027ID	B-90	YFMP28	K-51	YFTW0814W	B-91	YGHC26C26	E-15
YF4/030ID	B-90	YFMP28L	K-52	YFTW1014D	B-91	YGHC29C26	E-15
YF4/032ID	B-90	YFMP29	K-51	YFTW1014T	B-91	YGHC29C29	E-15
YF4/032UI	B-86	YFMP29L	K-52	YFTW1014W	B-91	YGHC2C2	E-15
YF4/034ID	B-90	YFMP30	K-51	YFTW1212D	B-91	YGHC34C26	E-15
YF4/034UI	B-86	YFMP30L	K-52	YFTW1212T	B-91	YGHC34C29	E-15
YF4/040UI	B-86	YFMP31	K-51	YFTW1212W	B-91	YGHC34C34	E-15
YFA28CP-2	K-45	YFMP31L	K-52	YFTW1410D	B-91	YGHHC26C26	E-16
YFA28CPL2	K-46	YFMP32	K-51	YFTW1410T	B-91	YGHHC29C26	E-16
YFA28CR2	K-45	YFMP32L	K-52	YFTW1410W	B-91	YGHHC29C29	E-16
YFA29CP-2	K-45	YFMP34	K-51	YFTW1413D	B-91	YGHHC34C26	E-16
YFA29CPL2	K-46	YFMP34L	K-52	YFTW1413T	B-91	YGHHC34C29	E-16
YFA29CR2	K-45	YFMP39	K-51	YFTW1413W	B-91	YGHHC34C34	E-16
YFA30CP-2	K-45	YFMP39L	K-52	YFTW1608D	B-91	YGHP29C2	E-13
YFA30CPL2	K-46	YFMR28	K-51	YFTW1608T	B-91	YGHP29C26	E-13
YFA30CR2	K-45	YFMR29	K-51	YFTW1608W	B-91	YGHP29C29	E-13
YFA31CP-2	K-45	YFMR30	K-51	YFTW1612D	B-91	YGHP29C6W6W	E-13
YFA31CPL2	K-46	YFMR31	K-51	YFTW1612T	B-91	YGHP2C2	E-13
YFA31CR2	K-45	YFMR32	K-51	YFTW1612W	B-91	YGHP2C6W6W	E-13

ALPHA-NUMERIC INDEX BY CATALOG NUMBER (Continued)

Catalog Number	Page #	Catalog Number	Page #	Catalog Number	Page #	Catalog Number	Page #
YGHP34C2	E-13	YGS34	E-25	YHN500J1496	H-40	YHSA18K10FRK	B-31
YGHP34C26	E-13	YGS6C	E-25	YHN-525	H-30	YHSA18K10LF	B-36
YGHP34C29	E-13	YGS8C	E-25	YHN-550	H-30	YHSA18K10RK	B-12
YGHP34C34	E-13	YGT275	E-30	YHN-600	H-30	YHSA18K14	B-12
YGHP58C2W-2	E-14	YH2929	C-190, C-192	YHO-1	H-31	YHSA18K14RK	B-12
YGHP58C2W-2TN	E-14	YH2929WC	C-190, C-192	YHO100	H-28, H-39	YHSA18K38	B-12
YGHR26C100	E-19	YH2929WCC	C-190, C-192	YHO-100	H-29	YHSA18K38RK	B-12
YGHR26C12	E-19	YH292C	C-190, C-192	YHO100J1444	H-40	YHSA18K516	B-12
YGHR26C34	E-19	YH292CWC	C-190, C-192	YHO125	H-31	YHSA18K516RK	B-12
YGHR26C58	E-19	YH292CWCC	C-190, C-192	YHO-125	H-29	YHSA18K6	B-12
YGHR29C100	E-19	YH298C	C-190, C-192	YHO150	H-28, H-39	YHSA18K6BF	B-41
YGHR29C12	E-19	YH298CWC	C-190, C-192	YHO-150	H-29	YHSA18K6F	B-31
YGHR29C34	E-19	YH298CWCC	C-190, C-192	YHO150J1444	H-40	YHSA18K6FRK	B-31
YGHR29C58	E-19	YH2C2C	C-190, C-192	YHO2	H-28	YHSA18K6LF	B-36
YGHR34C100	E-19	YH2C2CWC	C-190, C-192	YHO-2	H-31	YHSA18K6RK	B-12
YGHR34C34	E-19	YH2C2CWCC	C-190, C-192	YHR-700	H-30	YHSA18K8	B-12
YGHR34C58	E-19	YH3429	C-190, C-192	YHR-750	H-30	YHSA18K8BF	B-41
YGHR58C2W-3	E-20	YH3429WC	C-190, C-192	YHR-800	H-30	YHSA18K8F	B-31
YGHS25	E-24	YH3429WCC	C-190, C-192	YHR-850	H-30	YHSA18K8FRK	B-31
YGHS26	E-24	YH3434	C-190, C-192	YHR-900	H-30	YHSA18K8LF	B-36
YGHS27	E-24	YH3434WC	C-190, C-192	YHR-950	H-30	YHSA18K8RK	B-12
YGHS28	E-24	YH3434WCC	C-190, C-192	YHSA10K10	B-12	YHSFQ10F25X03	B-70
YGHS29	E-24	YH3931	C-190, C-192	YHSA10K10BF	B-41	YHSFQ10F25X03RK	B-70
YGHS2C	E-24	YH3931WC	C-190, C-192	YHSA10K10F	B-31	YHSFQ14F25X03	B-70
YGHS31	E-24	YH3931WCC	C-190, C-192	YHSA10K10FRK	B-31	YHSFQ14F25X03RK	B-70
YGHS34	E-24	YH3939	C-190, C-192	YHSA10K10LF	B-36	YHSFQ18F25X03	B-70
YGIBS28-338-2N	E-28	YH3939WC	C-190, C-192	YHSA10K10RK	B-12	YHSFQ18F25X03RK	B-70
YGIBS28-400-2N	E-28	YH3939WCC	C-190, C-192	YHSA10K12	B-12	YHSQ10F25X03	B-69
YGIBS28-462-2N	E-28	YH4429	C-190, C-192	YHSA10K12RK	B-12	YHSQ10F25X03RK	B-69
YGIBS28-550-2N	E-28	YH4429WC	C-190, C-192	YHSA10K14	B-12	YHSQ10M25X03	B-68
YGIBS28-613-2N	E-28	YH4429WCC	C-190, C-192	YHSA10K14FRK	B-31	YHSQ10M25X03RK	B-68
YGIBS28-675-2N	E-28	YH4434	C-190, C-192	YHSA10K14RK	B-12	YHSQ14F11X02D	B-69
YGIBS34-338-2N	E-28	YH4434WC	C-190, C-192	YHSA10K38	B-12	YHSQ14F18X02D	B-69
YGIBS34-400-2N	E-28	YH4434WCC	C-190, C-192	YHSA10K38RK	B-12	YHSQ14F25X03	B-69
YGIBS34-462-2N	E-28	YH4444	C-190, C-192	YHSA10K516	B-12	YHSQ14F25X03RK	B-69
YGIBS34-550-2N	E-28	YH4444WC	C-190, C-192	YHSA10K6	B-12	YHSQ14M25X03	B-68
YGIBS34-675-2N	E-28	YH4444WCC	C-190, C-192	YHSA10K6BF	B-41	YHSQ14M25X03RK	B-68
YGIBW28-1000-2N	E-28	YH6C6C	C-190, C-192	YHSA10K6F	B-31	YHSQ18F11X02D	B-69
YGIBW28-338-2N	E-28	YH6C6CWC	C-190, C-192	YHSA10K6LF	B-36	YHSQ18F18X02D	B-69
YGIBW28-400-2N	E-28	YH6C6CWCC	C-190, C-192	YHSA10K8	B-12	YHSQ18F25X03	B-69
YGIBW28-462-2N	E-28	YH8C8C	C-190, C-192	YHSA10K8BF	B-41	YHSQ18F25X03RK	B-69
YGIBW28-550-2N	E-28	YH8C8CWC	C-190, C-192	YHSA10K8F	B-31	YHSQ18M25X03RK	B-68
YGIBW28-613-2N	E-28	YH8C8CWCC	C-190, C-192	YHSA10K8FRK	B-31	YHSQ18M25X03	B-68
YGIBW28-675-2N	E-28	YHD200	H-28, H-39	YHSA10K8LF	B-36	YHSS10	B-59
YGIBW28-750-2N	E-28	YHD-200	H-29	YHSA14K10	B-12	YHSS10RK	B-59
YGIBW34-338-2N	E-28	YHD200J1444	H-40	YHSA14K10BF	B-41	YHSS14	B-59
YGIBW34-400-2N	E-28	YHD250	H-28, H-39	YHSA14K10F	B-31	YHSS14RK	B-59
YGIBW34-462-2N	E-28	YHD-250	H-29	YHSA14K10FRK	B-31	YHSS18	B-59
YGIBW34-550-2N	E-28	YHD250J1444	H-40	YHSA14K10LF	B-36	YHSS18RK	B-59
YGIBW34-613-2N	E-28	YHD3	H-28	YHSA14K10RK	B-12	YKA25R-2N	H-35
YGIBW34-675-2N	E-28	YHD-3	H-31	YHSA14K14	B-12	YKA26-2N	H-37
YGL29C2	E-11	YHD300	H-28, H-39	YHSA14K14FRK	B-31	YKA26R-2N	H-35
YGL29C29	E-11	YHD-300	H-29	YHSA14K14RK	B-12	YKA27R-2N	H-35
YGL2C2	E-11	YHD300J1496	H-40	YHSA14K38	B-12	YKA28-2N	H-37
YGL34C2	E-11	YHD350	H-28, H-39	YHSA14K38RK	B-12	YKA28R-2N	H-35
YGL34C29	E-11	YHD-350	H-29	YHSA14K516	B-12	YKA2C-2N	H-37
YGL34C34	E-11	YHD350J1496	H-40	YHSA14K6	B-12	YKA2R-2N	H-35
YGLR29C100	E-12	YHD4	H-28	YHSA14K6BF	B-41	YKA30-2N	H-37
YGLR29C12	E-12	YHD-4	H-31	YHSA14K6F	B-31	YKA30R-2N	H-35
YGLR29C34	E-12	YHD400	H-28	YHSA14K6FRK	B-31	YKA321R-2N	H-35
YGLR29C58	E-12	YHD-400	H-29	YHSA14K6LF	B-36	YKA33R-2N	H-35
YGLR34C100	E-12	YHD5	H-28	YHSA14K8	B-12	YKA34-2N	H-37
YGLR34C12	E-12	YHD-5	H-31	YHSA14K8BF	B-41	YKA34CA-2N	H-35
YGLR34C34	E-12	YHD6	H-28	YHSA14K8F	B-31	YKA361R-2N	H-35
YGLR34C58	E-12	YHD-6	H-31	YHSA14K8FRK	B-31	YKA37R-2N	H-35
YGS25	E-25	YHD7	H-28	YHSA14K8LF	B-36	YKA391A-2N	H-35
YGS26	E-25	YHD-7	H-31	YHSA14K8RK	B-12	YKA44-2N	H-37
YGS28	E-25	YHN-450	H-30	YHSA18K10	B-12	YKA6C-2N	H-37
YGS29	E-25	YHN500	H-39	YHSA18K10BF	B-41	YM10-28	K-37
YGS2C	E-25	YHN-500	H-30	YHSA18K10F	B-31	YM10-34	K-37

ALPHA-NUMERIC INDEX BY CATALOG NUMBER (Continued)

Catalog Number	Page #	Catalog Number	Page #	Catalog Number	Page #	Catalog Number	Page #
YM12-28.....	K-37	YNA56R.....	I-9, I-37	YNT39R39RHT.....	I-26	YNU54R.....	I-15, I-43
YM12-34.....	K-37	YNA56R15.....	I-9, I-37	YNT43R43R.....	I-13, I-42	YNU54RHT.....	I-28
YM4-28.....	K-37	YNA56R15H.....	I-3, I-4, I-29,	YNT43R43RHT.....	I-26	YNU56R.....	I-15, I-43
YM4-34.....	K-37		I-31, I-32	YNT451R451R.....	I-13, I-42	YNU56RHT.....	I-28
YM6-28.....	K-37	YNA56RT.....	I-10, I-38	YNT451R451RHT.....	I-26	YNU58R.....	I-15
YM6-34.....	K-37	YNA56RT15.....	I-10, I-38	YNT49R49R.....	I-13, I-42	YNU58RHT.....	I-28
YM8-28.....	K-37	YNA56RT15H.....	I-5, I-6, I-30	YNT49R49RHT.....	I-26	YNU594R.....	I-43
YM8-34.....	K-37	YNA58R.....	I-9, I-37	YNT52R52R.....	I-13, I-42	YNU595R.....	I-43
YNA32R.....	I-9, I-37	YNA58R15.....	I-9, I-37	YNT52R52RHT.....	I-26	YNU59R.....	I-15, I-43
YNA32R15.....	I-9, I-37	YNA58R15H.....	I-3, I-4, I-29,	YNT54R54R.....	I-42	YNU59RHT.....	I-28
YNA32R15H.....	I-3, I-4, I-29,		I-31, I-32	YNT56R56R.....	I-13, I-42	YOT3434.....	H-32
	I-31, I-32	YNA58RT.....	I-10, I-38	YNT56R56RHT.....	I-26	YOU32R.....	H-55
YNA32RT.....	I-10, I-38	YNA58RT15.....	I-10, I-38	YNT58R58R.....	I-13, I-42	YOU33R.....	H-55
YNA32RT15.....	I-10, I-38	YNA58RT15H.....	I-5, I-6, I-30	YNT58R58RHT.....	I-26	YOU35R.....	H-55
YNA32RT15H.....	I-5, I-6, I-30	YNA594R.....	I-37	YNT594R594R.....	I-42	YOU361R.....	H-55
YNA34R.....	I-9, I-37	YNA594R15.....	I-37	YNT59R59R.....	I-13, I-42	YOU37R.....	H-55
YNA34R15.....	I-9, I-37	YNA594R15H.....	I-29, I-31, I-32	YNT59R59RHT.....	I-26	YOU39R.....	H-55
YNA34R15H.....	I-3, I-4, I-29,	YNA594RT.....	I-38	YNTA245MRATACCC.....	I-51	YOU41R.....	H-55
	I-31, I-32	YNA594RT15.....	I-38	YNTA32R.....	I-14, I-41	YOU421R.....	H-55
YNA34RT.....	I-10, I-38	YNA594RT15H.....	I-30	YNTA32RHT.....	I-27	YOU43R.....	H-55
YNA34RT15.....	I-10, I-38	YNA59R.....	I-9, I-37	YNTA32RTACCC.....	I-51	YOU44R.....	H-55
YNA34RT15H.....	I-5, I-6, I-30	YNA59R15.....	I-9, I-37	YNTA34R.....	I-14, I-41	YOU453R.....	H-55
YNA36R.....	I-9, I-37	YNA59R15H.....	I-3, I-4, I-29,	YNTA34RHT.....	I-27	YOU45R.....	H-55
YNA36R15.....	I-9, I-37		I-31, I-32	YNTA36R.....	I-14, I-41	YOU48R.....	H-55
YNA36R15H.....	I-3, I-4, I-29,	YNA59RT.....	I-10, I-38	YNTA36RHT.....	I-27	YOU49R.....	H-55
	I-31, I-32	YNA59RT15.....	I-10, I-38	YNTA36RTACCC.....	I-51	YP25U25.....	H-24
YNA36RT.....	I-10, I-38	YNA59RT15H.....	I-5, I-6, I-30	YNTA39R.....	I-14, I-41	YP26AU2.....	H-24, H-39
YNA36RT15.....	I-10, I-38	YNA7M10T.....	I-44	YNTA39RHT.....	I-27	YP27AU2.....	H-24
YNA36RT15H.....	I-5, I-6, I-30	YNA7M6T.....	I-44	YNTA39RTACCC.....	I-51	YP27AU26.....	H-24, H-39
YNA39R.....	I-9, I-37	YNA7M7T.....	I-44	YNTA43R.....	I-14, I-41	YP27AU4.....	H-24, H-39
YNA39R15.....	I-9, I-37	YNA7M8T.....	I-44	YNTA43RHT.....	I-27	YP28C28.....	H-22
YNA39R15H.....	I-3, I-4, I-29,	YNM428.....	K-38	YNTA43RTACCC.....	I-51	YP28U2.....	H-24
	I-31, I-32	YNM434.....	K-38	YNTA451R.....	I-14, I-41	YP28U26.....	H-24, H-39
YNA39RT.....	I-10, I-38	YNM628.....	K-38	YNTA451RHT.....	I-27	YP28U28.....	H-24
YNA39RT15.....	I-10, I-38	YNM634.....	K-38	YNTA451RTACCC.....	I-51	YP29C26.....	H-22
YNA39RT15H.....	I-5, I-6, I-30	YNM828.....	K-38	YNTA49R.....	I-14, I-41	YP2C2.....	H-22
YNA43R.....	I-9, I-37	YNM834.....	K-38	YNTA49RHT.....	I-27	YP2U3.....	H-24, H-39
YNA43R15.....	I-9, I-37	YNS32R.....	I-11, I-39	YNTA49RTACCC.....	I-51	YPC25L13.....	C-217
YNA43R15H.....	I-3, I-4, I-29,	YNS32RT.....	I-12, I-40	YNTA52RTACCC.....	I-51	YPC25L20.....	C-217
	I-31, I-32	YNS34R.....	I-11, I-39	YNTA54R.....	I-14, I-41	YPC25L27.....	C-217
YNA43RT.....	I-10, I-38	YNS34RT.....	I-12, I-40	YNTA54RHT.....	I-27	YPC25L34.....	C-217
YNA43RT15.....	I-10, I-38	YNS36R.....	I-11, I-39	YNTA56R.....	I-14, I-41	YPC25L41.....	C-217
YNA43RT15H.....	I-5, I-6, I-30	YNS36RT.....	I-12, I-40	YNTA56RHT.....	I-27	YPC26R8U.....	H-26
YNA451R.....	I-9, I-37	YNS39R.....	I-11, I-39	YNTA58R.....	I-14, I-41	YPC28L13.....	C-217
YNA451R15.....	I-9, I-37	YNS39RT.....	I-12, I-40	YNTA58RHT.....	I-27	YPC28L20.....	C-217
YNA451R15H.....	I-3, I-4, I-29,	YNS43R.....	I-11, I-39	YNTA594R.....	I-41	YPC28L27.....	C-217
	I-31, I-32	YNS43RT.....	I-12, I-40	YNTA59R.....	I-14, I-41	YPC28L34.....	C-217
YNA451RT.....	I-10, I-38	YNS451R.....	I-11, I-39	YNTA59RHT.....	I-27	YPC28L41.....	C-217
YNA451RT15.....	I-10, I-38	YNS451RT.....	I-12, I-40	YNU245MRACCC.....	I-52	YPC28R28A.....	H-25
YNA451RT15H.....	I-5, I-6, I-30	YNS49R.....	I-11, I-39	YNU32R.....	I-15, I-43	YPC28U26.....	H-25, H-39
YNA49R.....	I-9, I-37	YNS49RT.....	I-12, I-40	YNU32RACCC.....	I-52	YPC28U28.....	H-25
YNA49R15.....	I-9, I-37	YNS52R.....	I-11, I-39	YNU32RHT.....	I-28	YPC28U4.....	H-25, H-39
YNA49R15H.....	I-3, I-4, I-29,	YNS52RT.....	I-12, I-40	YNU34R.....	I-15, I-43	YPC29C26.....	K-75
	I-31, I-32	YNS54R.....	I-39	YNU34RHT.....	I-28	YPC2A8U.....	H-26
YNA49RT.....	I-10, I-38	YNS54RT.....	I-40	YNU36R.....	I-15, I-43	YPC31L13.....	C-217
YNA49RT15.....	I-10, I-38	YNS56R.....	I-11, I-39	YNU36RACCC.....	I-52	YPC31L20.....	C-217
YNA49RT15H.....	I-5, I-6, I-30	YNS56RT.....	I-12, I-40	YNU36RHT.....	I-28	YPC31L27.....	C-217
YNA52R.....	I-9, I-37	YNS58R.....	I-11, I-39	YNU39R.....	I-15, I-43	YPC31L34.....	C-217
YNA52R15.....	I-9, I-37	YNS58RT.....	I-12, I-40	YNU39RACCC.....	I-52	YPC31L41.....	C-217
YNA52R15H.....	I-3, I-4, I-29,	YNS594R.....	I-39	YNU39RHT.....	I-28	YPC33R26U.....	H-25, H-39
	I-31, I-32	YNS594RT.....	I-40	YNU43R.....	I-15, I-43	YPC33R28R.....	H-25
YNA52RT.....	I-10, I-38	YNS59R.....	I-11, I-39	YNU43RACCC.....	I-52	YPC33R33R.....	H-25
YNA52RT15.....	I-10, I-38	YNS59RT.....	I-12, I-40	YNU43RHT.....	I-28	YPC34L13.....	C-217
YNA52RT15H.....	I-5, I-6, I-30	YNT32R32R.....	I-13, I-42	YNU451R.....	I-15, I-43	YPC34L20.....	C-217
YNA54R.....	I-37	YNT32R32RHT.....	I-26	YNU451RACCC.....	I-52	YPC34L27.....	C-217
YNA54R15.....	I-37	YNT34R34R.....	I-13, I-42	YNU451RHT.....	I-28	YPC34L34.....	C-217
YNA54R15H.....	I-29, I-31, I-32	YNT34R34RHT.....	I-26	YNU49R.....	I-15, I-43	YPC34L41.....	C-217
YNA54RT.....	I-38	YNT36R36R.....	I-13, I-42	YNU49RACCC.....	I-52	YPC36A32.....	H-25
YNA54RT15.....	I-38	YNT36R36RHT.....	I-26	YNU49RHT.....	I-28	YPC36A36.....	H-25
YNA54RT15H.....	I-30	YNT39R39R.....	I-13, I-42	YNU52RACCC.....	I-52	YPC38R26U.....	H-25

ALPHA-NUMERIC INDEX BY CATALOG NUMBER (Continued)

Catalog Number	Page #	Catalog Number	Page #	Catalog Number	Page #	Catalog Number	Page #
YPC39L13.....	C-218	YRV4CV6C-L.....	B-58	YS31AT.....	C-210	YS8C.....	C-147
YPC39L20.....	C-218	YRV6CV10-L.....	B-58	YS31-FXB.....	C-155	YS8CA1.....	C-209
YPC39L27.....	C-218	YRV6CV8C-L.....	B-58	YS31-L.....	C-145	YS8C-FXB.....	C-155
YPC39L34.....	C-218	YRV8CV10-L.....	B-58	YS31LTCKITC.....	C-157	YS8CFXLTCKITC.....	C-157
YPC39L41.....	C-218	YRV8CV14-L.....	B-58	YS31-T.....	C-153	YS8C-LB.....	C-149, C-150
YPC40A32.....	H-25	YS10WAG1.....	C-209	YS32.....	C-147	YS8C-L-BOX.....	C-145
YPC40A36.....	H-25	YS12AG1.....	C-209	YS32A1.....	C-209	YSA25R-2N.....	H-36
YPC40A40.....	H-25	YS1C.....	C-147	YS32-FXB.....	C-155	YSA26R-2N.....	H-36
YPC44L13.....	C-218	YS1CA1.....	C-209	YS32-L.....	C-145	YSA28R-2N.....	H-36
YPC44L20.....	C-218	YS1C-LB.....	C-149, C-150	YS32-LB.....	C-149, C-150	YSA2R-2N.....	H-36
YPC44L27.....	C-218	YS1C-LBOX.....	C-145	YS34.....	C-147	YSA30R-2N.....	H-36
YPC44L34.....	C-218	YS1C-T.....	C-153	YS34A1.....	C-209	YSA321R-2N.....	H-36
YPC44L41.....	C-218	YS25.....	C-147	YS34AT.....	C-210	YSA37R-2N.....	H-36
YQE-91.....	B-94	YS25A1.....	C-209	YS34-FXB.....	C-155	YSCM104.....	B-57, C-144
YR2C2WT.....	C-147	YS25AT.....	C-210	YS34FXLTCKITC.....	C-157	YSCM133.....	B-57, C-144
YRA1CU-1.....	H-80	YS25FXLTCKITC.....	C-157	YS34-L.....	C-145	YSCM167.....	B-57, C-144
YRA25A-1.....	H-80	YS25-LB.....	C-149, C-150	YS34-LB.....	C-149, C-151	YSCM17.....	B-57, C-144
YRA25U.....	H-80	YS25-LBOX.....	C-145	YS34LTCKITC.....	C-157	YSCM212.....	B-57, C-144
YRA26U.....	H-80	YS25LTCKITC.....	C-157	YS34-T.....	C-153	YSCM231.....	B-57, C-144
YRA27U.....	H-80	YS25-T.....	C-153	YS36.....	C-147	YSCM27.....	B-57, C-144
YRA28U.....	H-80	YS25UCG1.....	K-69	YS36A1.....	C-209	YSCM42.....	B-57, C-144
YRA4CU-1.....	H-80	YS26.....	C-147	YS36-FXB.....	C-155	YSCM66.....	B-57, C-144
YRA6CU-1.....	H-80	YS26A1.....	C-209	YS36-L.....	C-145	YSCM80.....	B-57, C-144
YRA8CU-1.....	H-80	YS26AT.....	C-210	YS36-LB.....	C-149, C-151	YSD25R25R.....	H-48
YRAL1CU.....	H-80	YS26FXLTCKITC.....	C-157	YS38-FXB.....	C-155	YSD26R25R.....	H-48
YRAL4CU.....	H-80	YS26-LB.....	C-149, C-150	YS38FXLTCKITC.....	C-157	YSD26R26R.....	H-48
YRB1CU1TTN.....	K-70	YS26-LBOX.....	C-145	YS38-L.....	C-145	YSD26R2R.....	H-48
YRB1CU2TTN.....	K-70	YS26LTCKITC.....	C-157	YS38-LB.....	C-149, C-151	YSD26R2W.....	H-48
YRB25U2.....	C-211	YS26-T.....	C-153	YS39.....	C-147	YSD27R25R.....	H-48
YRB25U25TTN.....	K-70	YS26UCG1.....	K-69	YS39A1.....	C-209	YSD27R26R.....	H-48
YRB25U2TTN.....	K-70	YS27.....	C-147	YS39AM1.....	C-209	YSD27R27R.....	H-48
YRB25U3TTN.....	K-70	YS27A1.....	C-209	YS39AT.....	C-210	YSD27R2R.....	H-48
YRB27U25.....	C-211	YS27AT.....	C-210	YS39-L.....	C-145	YSD27R2W.....	H-48
YRB27U25TW.....	K-70	YS27-LB.....	C-149, C-150	YS39-LB.....	C-149, C-151	YSD28R25R.....	H-48
YRB27U26.....	C-211	YS27-LBOX.....	C-145	YS39LTCKITC.....	C-157	YSD28R26R.....	H-48
YRB2825T.....	K-73	YS27UCG1.....	K-69	YS39-T.....	C-153	YSD28R27R.....	H-48
YRB28U1TW.....	K-70	YS28.....	C-147	YS3C.....	C-147	YSD28R28R.....	H-48
YRB28U25TW.....	K-70	YS28A1.....	C-209	YS3C-L.....	C-145	YSD28R2R.....	H-48
YRB28U26.....	C-211	YS28AT.....	C-210	YS3C-LB.....	C-149, C-150	YSD28R2W.....	H-48
YRB28U26TW.....	K-70	YS28-LB.....	C-149, C-150	YS40-FXB.....	C-155	YSE10.....	B-50
YRB28U28TW.....	K-70	YS28-LBOX.....	C-145	YS40-LB.....	C-149, C-151	YSE10-BOX.....	B-50
YRB28U3TW.....	K-70	YS28LTCKITC.....	C-157	YS42A1.....	C-209	YSE10HHS.....	B-51
YRB29U28.....	C-211	YS28-T.....	C-153	YS44.....	C-147	YSE10HN.....	B-48
YRB2U3TTN.....	K-70	YS28UCG1.....	K-69	YS44A1.....	C-209	YSE14H.....	B-50
YRB2U4.....	C-211	YS29.....	C-147	YS44AT.....	C-210	YSE14H-BOX.....	B-50
YRB31U25TW.....	K-70	YS29A1.....	C-209	YS44-FXB.....	C-155	YSE14HHS.....	B-51
YRB31U28.....	C-211	YS29AT.....	C-210	YS44FXLTCKITC.....	C-157	YSE14HN.....	B-48
YRB31U28TW.....	K-70	YS29FXLTCKITC.....	C-157	YS44-L.....	C-145	YSE18H.....	B-50
YRB31U29.....	C-211	YS29-LB.....	C-149, C-150	YS44-LB.....	C-149, C-151	YSE18H-BOX.....	B-50
YRB31U31TW.....	K-70	YS29-LBOX.....	C-145	YS45A1.....	C-209	YSE18HHS.....	B-51
YRB3428T.....	K-73	YS29-T.....	C-153	YS46.....	C-147	YSE18HN.....	B-48
YRB34U25TW.....	K-71	YS2C.....	C-147	YS46A1.....	C-209	YSES10K.....	B-52
YRB34U28TW.....	K-71	YS2CA1.....	C-209	YS47A1.....	C-209	YSES14K.....	B-52
YRB34U29TW.....	K-71	YS2CAT.....	C-210	YS48.....	C-147	YSES18K.....	B-52
YRB34U30TW.....	K-71	YS2CFXLTCKITC.....	C-157	YS483A1.....	C-209	YSF28CP.....	K-41
YRB34U31.....	C-211	YS2C-LB.....	C-149, C-150	YS48A1.....	C-209	YSH2929.....	C-197
YRB34U31TW.....	K-71	YS2C-LBOX.....	C-145	YS4C.....	C-147	YSH3429.....	C-197
YRB34U34TW.....	K-71	YS2CLTCKITC.....	C-157	YS4CA1.....	C-209	YSH3434.....	C-197
YRB36U31.....	C-211	YS2C-T.....	C-153	YS4CFXLTCKITC.....	C-157	YSH3931.....	C-197
YRB36U34.....	C-211	YS2UCG1.....	K-69	YS4C-LB.....	C-149, C-150	YSH3939.....	C-197
YRB39U31TW.....	K-71	YS30.....	C-147	YS4C-LBOX.....	C-145	YSHG3429.....	E-18
YRB39U34.....	C-211	YS30A1.....	C-209	YS4C-T.....	C-153	YSHG3434.....	E-18
YRB39U34TW.....	K-71	YS30AT.....	C-210	YS5C.....	C-147	YSHG3931.....	E-18
YRB39U36.....	C-211	YS30-FXB.....	C-155	YS5C-LB.....	C-149, C-150	YSHG4429.....	E-18
YRB39U39TW.....	K-71	YS30-L.....	C-145	YS5C-LBOX.....	C-145	YSM10.....	B-56
YRB44U31TW.....	K-71	YS30-LB.....	C-149, C-150	YS6C.....	C-147	YSM14.....	B-56
YRB44U34TW.....	K-71	YS30-T.....	C-153	YS6CA1.....	C-209	YSM18.....	B-56
YRB44U39TW.....	K-71	YS31.....	C-147	YS6CFXLTCKITC.....	C-157	YSM1C.....	B-56
YRB44U44TW.....	K-71	YS31A1.....	C-209	YS6C-LBOX.....	C-145	YSM25.....	B-56
YRV2CV6C-L.....	B-58	YS31ACG1.....	K-69	YS6C-T.....	C-153	YSM26.....	B-56

ALPHA-NUMERIC INDEX BY CATALOG NUMBER (Continued)

Catalog Number	Page #	Catalog Number	Page #	Catalog Number	Page #	Catalog Number	Page #
YSM27.....	B-56	YSR3428LTCKITC.....	C-160, C-167	YSR44FX34TCKITC.....	C-177, C-179	YSV26-LBOX.....	B-54
YSM28.....	B-56	YSR3428TCKITC.....	C-177, C-179	YSR44FX38FXKITC.....	C-183, C-184	YSV27-FXB.....	C-155
YSM2C.....	B-56	YSR3429FXKITC.....	C-183, C-184	YSR44FX38FXLKITC.....	C-173, C-174	YSV27L.....	B-54
YSM4C.....	B-56	YSR3429FXLKITC.....	C-173, C-175	YSR44FX39LTCKITC.....	C-159, C-166	YSV27-LBOX.....	B-54
YSM6C.....	B-56	YSR3429FXLTCKITC.....	C-160, C-167	YSR44FX39LTCKITC.....	C-159, C-166	YSV28-FXB.....	C-155
YSM8C.....	B-56	YSR3431LTCKITC.....	C-160, C-167	YSR44FX39TCKITC.....	C-177, C-179	YSV28L.....	B-54
YSP1C-T.....	C-153	YSR3431TCKITC.....	C-177, C-179	YSR4CFX10CLTCKITC.....	C-164, C-170	YSV28-LBOX.....	B-54
YSP25-T.....	C-153	YSR3434FXKITC.....	C-183, C-184	YSR4CFX6CFXLTCKITC.....	C-164, C-170	YSV2C-FXB.....	C-155
YSP26-T.....	C-153	YSR3434FXLKITC.....	C-173, C-175	YSR4CFX6CFXTCKITC.....	C-178, C-181	YSV2CL.....	B-54
YSP28-T.....	C-153	YSR3434FXLTCKITC.....	C-160, C-167	YSR4CFX8CFXLTCKITC.....	C-164, C-170	YSV2C-LBOX.....	B-54
YSP29-T.....	C-153	YSR34FX25FXLTCKITC.....	C-161, C-168	YSR6CFX10CLTCKITC.....	C-164, C-171	YSV4C-FXB.....	C-155
YSP2C-T.....	C-153	YSR34FX25FXTKITC.....	C-177, C-179	YSR6CFX14CLTCKITC.....	C-164, C-171	YSV4CL.....	B-54
YSP30-T.....	C-153	YSR34FX26FXLTCKITC.....	C-161, C-168	YSR6CFX8CFXLTCKITC.....	C-164, C-171	YSV4C-LBOX.....	B-54
YSP31-T.....	C-153	YSR34FX28FXLTCKITC.....	C-161, C-168	YSR8CFX10CLTCKITC.....	C-165, C-171	YSV6C-FXB.....	C-155
YSP34-T.....	C-153	YSR34FX28FXTKITC.....	C-177, C-179	YSR8CFX14CLTCKITC.....	C-165, C-171	YSV6CL.....	B-54
YSP39-T.....	C-153	YSR34FX28LTCKITC.....	C-161, C-168	YSS2R.....	H-49	YSV6C-LBOX.....	B-54
YSP4C-T.....	C-153	YSR34FX28TCKITC.....	C-177, C-179	YSS4R.....	H-49	YSV8CL.....	B-54
YSR10CFX12CLTCKITC.....	C-165, C-171	YSR34FX29FXKITC.....	C-183, C-184	YSS6R.....	H-49	YSV8C-LBOX.....	B-54
YSR10CFX14CLTCKITC.....	C-165, C-171	YSR34FX29FXLKITC.....	C-173, C-175	YSS6RG2.....	H-49	YTA25R-2N.....	H-34
YSR25FX2CFXLTCKITC.....	C-163, C-170	YSR34FX29FXLTCKITC.....	C-161, C-168	YST2525.....	C-198	YTA26-2N.....	H-36
YSR25FX4CFXLTCKITC.....	C-163, C-170	YSR34FX2CFXLTCKITC.....	C-161, C-168	YST2626.....	C-198	YTA26R-2N.....	H-34
YSR25FX6CFXLTCKITC.....	C-163, C-170	YSR34FX31LTCKITC.....	C-160, C-168	YST2825.....	C-198	YTA27R-2N.....	H-34
YSR25FX6CFXTCKITC.....	C-178, C-181	YSR34FX4CFXLTCKITC.....	C-161, C-168	YST2828.....	C-198	YTA28-2N.....	H-36
YSR25FX6CFXLTCKITC.....	C-164, C-170	YSR34FX6CFXLTCKITC.....	C-161, C-168	YST282C.....	C-198	YTA28R-2N.....	H-34
YSR26FX25FXLTCKITC.....	C-163, C-170	YSR38FX26FXLTCKITC.....	C-160, C-167	YST2929.....	C-198	YTA2C-2N.....	H-36
YSR26FX2CFXLTCKITC.....	C-163, C-170	YSR38FX28FXLTCKITC.....	C-160, C-167	YST2C2C.....	C-198	YTA2R-2N.....	H-34
YSR26FX4CFXLTCKITC.....	C-163, C-170	YSR38FX28LTCKITC.....	C-160, C-167	YST3131.....	C-198	YTA321R-2N.....	H-34
YSR26FX6CFXLTCKITC.....	C-163, C-170	YSR38FX28TCKITC.....	C-177, C-179	YST3428.....	C-198	YTA33R-2N.....	H-34
YSR26FX6CFXTCKITC.....	C-178, C-181	YSR38FX29FXKITC.....	C-183, C-184	YST3434.....	C-198	YTA34-2N.....	H-36
YSR2825FXLTCKITC.....	C-162, C-169	YSR38FX29FXLKITC.....	C-173, C-174	YST3939.....	C-198	YTA361R-2N.....	H-34
YSR2825FXTKITC.....	C-178, C-180	YSR38FX29FXLTCKITC.....	C-160, C-167	YST4C4C.....	C-198	YTA37R-2N.....	H-34
YSR282CFXLTCKITC.....	C-162, C-169	YSR38FX29LTCKITC.....	C-160, C-167	YSU25A25A.....	H-47	YTA391A-2N.....	H-34
YSR282CFXTKITC.....	C-178, C-180	YSR38FX30LTCKITC.....	C-160, C-167	YSU25R25R.....	H-47	YTA39R-2N.....	H-34
YSR284CFXLTCKITC.....	C-162, C-169	YSR38FX31LTCKITC.....	C-160, C-167	YSU25R2R.....	H-47	YTA43R-2N.....	H-34
YSR286CFXLTCKITC.....	C-162, C-169	YSR38FX31TCKITC.....	C-177, C-179	YSU25R2W.....	H-47	YTS245MRTAC5.....	I-49
YSR286CFXTCKITC.....	C-178, C-180	YSR38FX34FXKITC.....	C-183, C-184	YSU25R4W.....	H-47	YTS301A.....	I-33
YSR28FX25FXLTCKITC.....	C-163, C-169	YSR38FX34FXLKITC.....	C-173, C-174	YSU25R6W.....	H-47	YTS301AT.....	I-35
YSR28FX26FXLTCKITC.....	C-163, C-169	YSR38FX34FXLTCKITC.....	C-160, C-167	YSU2R2R.....	H-47	YTS311A.....	I-33
YSR28FX28LTCKITC.....	C-163, C-169	YSR38FX34LTCKITC.....	C-160, C-167	YSU2R2W.....	H-47	YTS311AT.....	I-35
YSR28FX2CFXLTCKITC.....	C-163, C-169	YSR3928FXLTCKITC.....	C-159, C-166	YSU2R4W.....	H-47	YTS312E.....	I-46
YSR28FX4CFXLTCKITC.....	C-163, C-169	YSR3928LTCKITC.....	C-159, C-166	YSU2R6W.....	H-47	YTS32AR.....	I-34
YSR29FX25FXLTCKITC.....	C-162, C-169	YSR3928TCKITC.....	C-177, C-179	YSU2R8W.....	H-47	YTS32ART.....	I-36
YSR29FX25FXTKITC.....	C-178, C-180	YSR3929FXKITC.....	C-183, C-184	YSU2W2W.....	H-47	YTS32R33RS.....	I-7
YSR29FX28LTCKITC.....	C-162, C-169	YSR3929FXLKITC.....	C-173, C-174	YSU2W4W.....	H-47	YTS32R34RS.....	I-7
YSR29FX2CFXLTCKITC.....	C-162, C-169	YSR3929FXLTCKITC.....	C-159, C-166	YSU2W6W.....	H-47	YTS32R34RSH.....	I-20
YSR29FX2CFXTCKITC.....	C-178, C-180	YSR3929LTCKITC.....	C-159, C-166	YSU2W8W.....	H-47	YTS32RT33RS.....	I-8
YSR2CFX4CFXLTCKITC.....	C-164, C-170	YSR3930LTCKITC.....	C-159, C-166	YSU4W4W.....	H-47	YTS32RT33RSH.....	I-21
YSR2CFX6CFXLTCKITC.....	C-164, C-170	YSR3931LTCKITC.....	C-159, C-166	YSU4W6W.....	H-47	YTS32RT34RS.....	I-8
YSR2CFX6CFXTCKITC.....	C-178, C-181	YSR3931TCKITC.....	C-177, C-179	YSU4W8W.....	H-47	YTS32RT34RSH.....	I-21
YSR2CFX8CFXLTCKITC.....	C-164, C-170	YSR3934FXKITC.....	C-183, C-184	YSU6W6W.....	H-47	YTS32RTACCC2.....	I-49
YSR3125FXLTCKITC.....	C-161, C-168	YSR3934FXLKITC.....	C-173, C-174	YSV1014-G2.....	B-58	YTS330MRTAC5.....	I-49
YSR3125FXTKITC.....	C-177, C-180	YSR3934FXLTCKITC.....	C-159, C-166	YSV10BBOX.....	B-46	YTS331A.....	I-33
YSR3126FXLTCKITC.....	C-161, C-168	YSR3934LTCKITC.....	C-159, C-166	YSV10BOX.....	B-53	YTS331AT.....	I-35
YSR3128FXLTCKITC.....	C-161, C-168	YSR3938FXKITC.....	C-183, C-184	YSV10-HBOX.....	B-55	YTS34R34RS.....	I-7
YSR3128LTCKITC.....	C-161, C-168	YSR3938FXLKITC.....	C-173, C-174	YSV1214-G1.....	B-58	YTS34R34RSH.....	I-20
YSR3128TCKITC.....	C-177, C-180	YSR3938FXLTCKITC.....	C-159, C-166	YSV1418.....	B-58	YTS34RT34RS.....	I-8
YSR3129FXKITC.....	C-183, C-184	YSR3939LTCKITC.....	C-159, C-166	YSV14BBOX.....	B-46	YTS34RT34RSH.....	I-21
YSR3129FXLKITC.....	C-173, C-175	YSR44FX28FXLTCKITC.....	C-159, C-166	YSV14BOX.....	B-53	YTS351A.....	I-33
YSR3129FXLTCKITC.....	C-161, C-168	YSR44FX28LTCKITC.....	C-159, C-166	YSV14-HBOX.....	B-55	YTS351AT.....	I-35
YSR312CFXLTCKITC.....	C-162, C-168	YSR44FX29FXKITC.....	C-183, C-184	YSV18BBOX.....	B-46	YTS361A.....	I-33
YSR312CFXTCKITC.....	C-177, C-180	YSR44FX29FXLKITC.....	C-173, C-174	YSV18BOX.....	B-53	YTS361AT.....	I-35
YSR314CFXLTCKITC.....	C-162, C-168	YSR44FX29FXLTCKITC.....	C-159, C-166	YSV18-HBOX.....	B-55	YTS36R362RS.....	I-7
YSR316CFXLTCKITC.....	C-162, C-168	YSR44FX29LTCKITC.....	C-159, C-166	YSV1C-FXB.....	C-155	YTS36R362RSH.....	I-20
YSR32FX28FXLTCKITC.....	C-162, C-169	YSR44FX30LTCKITC.....	C-159, C-166	YSV1CL.....	B-54	YTS36R36RS.....	I-7
YSR32FX28FXTKITC.....	C-178, C-180	YSR44FX31LTCKITC.....	C-159, C-166	YSV1C-LBOX.....	B-54	YTS36R36RSH.....	I-20
YSR32FX29FXLTCKITC.....	C-162, C-169	YSR44FX31TCKITC.....	C-177, C-179	YSV25-FXB.....	C-155	YTS36RT362RS.....	I-8
YSR32FX29FXTKITC.....	C-178, C-180	YSR44FX34FXKITC.....	C-183, C-184	YSV25L.....	B-54	YTS36RT362RSH.....	I-21
YSR3425FXLTCKITC.....	C-160, C-167	YSR44FX34FXLKITC.....	C-173, C-174	YSV25-LBOX.....	B-54	YTS36RT36RS.....	I-8
YSR3425FXTKITC.....	C-177, C-179	YSR44FX34FXLTCKITC.....	C-159, C-166	YSV26-FXB.....	C-155	YTS36RT36RSH.....	I-21
YSR3426FXLTCKITC.....	C-160, C-167	YSR44FX34LTCKITC.....	C-159, C-166	YSV26L.....	B-54	YTS36RTACCC2.....	I-49

ALPHA-NUMERIC INDEX BY CATALOG NUMBER (Continued)

Catalog Number	Page #	Catalog Number	Page #	Catalog Number	Page #	Catalog Number	Page #
YTS375E.....	H-67, I-46	YTS49RT483RSHT.....	I-21	YTU321R2R.....	H-33	YTW34RD34REKHT.....	I-17
YTS391A.....	I-33	YTS49RT48RS.....	I-8	YTU321R321R.....	H-33	YTW34RDHT.....	I-17
YTS391AT.....	I-35	YTS49RT48RSHT.....	I-21	YTU33R26R.....	H-33	YTW34RDT.....	I-6
YTS39A.....	I-33	YTS500E.....	I-46	YTU33R28R.....	H-33	YTW34RDT34REK.....	I-6
YTS39AR.....	I-34	YTS51AR.....	I-34	YTU33R33R.....	H-33	YTW34RDT34REKHT.....	I-19
YTS39ART.....	I-36	YTS51ART.....	I-36	YTW245MRE15ACK6.....	I-47	YTW34RDTH.....	I-19
YTS39AT.....	I-35	YTS52R48RS.....	I-7	YTW245MRED15ACK6.....	I-47	YTW34RE.....	I-3, I-4, I-5, I-6
YTS39R43RS.....	I-7	YTS52R48RSHT.....	I-20	YTW301A.....	I-29	YTW34REHT.....	I-16, I-17, I-18, I-19
YTS39R43RSHT.....	I-20	YTS52R521RS.....	I-7	YTW301A331AEK.....	I-29	YTW34RHT.....	I-16
YTS39RT43RS.....	I-8	YTS52R521RSHT.....	I-20	YTW301AD.....	I-31	YTW34RT.....	I-5
YTS39RT43RSHT.....	I-21	YTS52R59RS.....	I-7	YTW301ADT.....	I-32	YTW34RT34REK.....	I-5
YTS39RTACCC2.....	I-49	YTS52R59RSHT.....	I-20	YTW301ADT331AEK.....	I-32	YTW34RT34REKHT.....	I-18
YTS431A.....	I-33	YTS52RT48RS.....	I-8	YTW301AT.....	I-30	YTW34RTHT.....	I-18
YTS431AT.....	I-35	YTS52RT48RSHT.....	I-21	YTW301AT331AEK.....	I-30	YTW351A.....	I-29
YTS438E.....	H-67, I-46	YTS52RT521RS.....	I-8	YTW301AT331AEK.....	I-30	YTW351A351AEK.....	I-29
YTS43R43RS.....	I-7	YTS52RT521RSHT.....	I-21	YTW311A.....	I-29	YTW351AD.....	I-31
YTS43R43RSHT.....	I-20	YTS52RT59RS.....	I-8	YTW311AD.....	I-31	YTW351AD351AEK.....	I-31
YTS43RT43RS.....	I-8	YTS52RT59RSHT.....	I-21	YTW311ADT.....	I-32	YTW351ADT.....	I-32
YTS43RT43RSHT.....	I-21	YTS52RTACCC2.....	I-49	YTW311ADT331AEK.....	I-32	YTW351ADT351AEK.....	I-32
YTS43RTACCC2.....	I-49	YTS52RTACCC5.....	I-49	YTW311AT.....	I-30	YTW351AE.....	I-29, I-30, I-31, I-32
YTS445A.....	I-33	YTS54959RSHT.....	I-20	YTW311AT331AEK.....	I-30	YTW351AT.....	I-30
YTS445AT.....	I-35	YTS549R521RS.....	I-7	YTW32R.....	I-3	YTW351T351AEK.....	I-30
YTS451A.....	I-33	YTS549R521RSHT.....	I-20	YTW32R33REK.....	I-3	YTW361A.....	I-29
YTS451AR.....	I-34	YTS549R549RS.....	I-7	YTW32R33REKHT.....	I-16	YTW361A39AEK.....	I-29
YTS451ART.....	I-36	YTS549R549RSHT.....	I-20	YTW32R34REK.....	I-3	YTW361AD.....	I-31
YTS451AT.....	I-35	YTS549R59RS.....	I-7	YTW32R34REKHT.....	I-16	YTW361AD39AEK.....	I-31
YTS451R449RS.....	I-7	YTS549RT521RS.....	I-8	YTW32RD.....	I-4	YTW361ADT.....	I-32
YTS451R449RSHT.....	I-20	YTS549RT521RSHT.....	I-21	YTW32RD33REK.....	I-4	YTW361ADT39AEK.....	I-32
YTS451R481RS.....	I-7	YTS549RT549RS.....	I-8	YTW32RD33REKHT.....	I-17	YTW361AT.....	I-30
YTS451R481RSHT.....	I-20	YTS549RT549RSHT.....	I-21	YTW32RD34REK.....	I-17	YTW361AT39AEK.....	I-30
YTS451R48RS.....	I-7	YTS549RT59RS.....	I-8	YTW32RD34REKHT.....	I-17	YTW362RE.....	I-3, I-4, I-5, I-6
YTS451R48RSHT.....	I-20	YTS549RT59RSHT.....	I-21	YTW32RDHT.....	I-17	YTW362REHT.....	I-16, I-17, I-18, I-19
YTS451RT449RS.....	I-8	YTS55AR.....	I-34	YTW32RDT.....	I-6	YTW36R.....	I-3
YTS451RT449RSHT.....	I-21	YTS55ART.....	I-36	YTW32RDT33REK.....	I-6	YTW36R362REK.....	I-3
YTS451RT481RS.....	I-8	YTS56R59RS.....	I-7	YTW32RDT33REKHT.....	I-19	YTW36R362REKHT.....	I-16
YTS451RT481RSHT.....	I-21	YTS56R59RSHT.....	I-20	YTW32RDT34REK.....	I-6	YTW36R36REK.....	I-3
YTS451RT48RS.....	I-7	YTS56RT59RS.....	I-8	YTW32RDT34REKHT.....	I-19	YTW36R36REKHT.....	I-16
YTS451RT48RSHT.....	I-20	YTS56RT59RSHT.....	I-21	YTW32RDTH.....	I-19	YTW36RD.....	I-4
YTS451RTACCC2.....	I-49	YTS570MRTAC5.....	I-49	YTW32RED15ACCCCK4.....	I-47	YTW36RD362REK.....	I-4
YTS457A.....	I-33	YTS58R48RS.....	I-7	YTW32RED15ACCCCK4.....	I-47	YTW36RD362REKHT.....	I-17
YTS457AT.....	I-35	YTS58R48RSHT.....	I-20	YTW32RHT.....	I-16	YTW36RD36REK.....	I-4
YTS463A.....	I-33	YTS58RT48RS.....	I-8	YTW32RT.....	I-5	YTW36RD36REKHT.....	I-17
YTS463AT.....	I-35	YTS58RT48RSHT.....	I-21	YTW32RT33REK.....	I-5	YTW36RD36REKHT.....	I-17
YTS470MRTAC5.....	I-49	YTS592AR.....	I-34	YTW32RT33REKHT.....	I-18	YTW36RDHT.....	I-6
YTS47A.....	I-33	YTS592ART.....	I-36	YTW32RT34REK.....	I-5	YTW36RDT.....	I-6
YTS47AT.....	I-35	YTS59AR.....	I-34	YTW32RT34REKHT.....	I-18	YTW36RDT362REK.....	I-6
YTS484A.....	I-33	YTS59ART.....	I-36	YTW32RT34REKHT.....	I-18	YTW36RDT362REKHT.....	I-19
YTS484AT.....	I-35	YTS59R521RS.....	I-7	YTW32RTH.....	I-18	YTW36RDT36REK.....	I-6
YTS486A.....	I-33	YTS59R521RSHT.....	I-20	YTW330MRE15ACK5.....	I-47	YTW36RDT36REKHT.....	I-19
YTS486AT.....	I-35	YTS59R59RS.....	I-7	YTW330MRED15ACK5.....	I-47	YTW36RDT36REKHT.....	I-19
YTS48A.....	I-33	YTS59R59RSHT.....	I-20	YTW331A.....	I-29	YTW36RDT36REKHT.....	I-19
YTS48AR.....	I-34	YTS59RT521RS.....	I-8	YTW331A331AEK.....	I-29	YTW36RDHT.....	I-6
YTS48ART.....	I-36	YTS59RT521RSHT.....	I-21	YTW331AD.....	I-31	YTW36RDT362REK.....	I-6
YTS48AT.....	I-35	YTS59RT59RS.....	I-8	YTW331ADT.....	I-31	YTW36RDT36REKHT.....	I-19
YTS48R481RS.....	I-7	YTS59RT59RSHT.....	I-21	YTW331ADT331AEK.....	I-31	YTW36RDTH.....	I-19
YTS48R481RSHT.....	I-20	YTS610MRTAC5.....	I-49	YTW331ADT331AEK.....	I-32	YTW36RE.....	I-3, I-4, I-5, I-6
YTS48R48RS.....	I-7	YTS690MRTAC5.....	I-49	YTW331AE.....	I-29, I-30, I-31, I-32	YTW36RE15ACCCCK4.....	I-47
YTS48R48RSHT.....	I-20	YTS710MRTAC5.....	I-49	YTW331AT.....	I-30	YTW36RE15ACCCCK4.....	I-47
YTS48RT481RS.....	I-8	YTS760MRTAC5.....	I-49	YTW331AT331AEK.....	I-30	YTW36REHT.....	I-16, I-17, I-18, I-19
YTS48RT481RSHT.....	I-21	YTTAG388.....	E-30	YTW33RE.....	I-3, I-4, I-5, I-6	YTW36RHT.....	I-16
YTS48RT48RS.....	I-8	YTU25R25R.....	H-33	YTW33REHT.....	I-16, I-17, I-18, I-19	YTW36RT.....	I-5
YTS48RT48RSHT.....	I-21	YTU25R4W.....	H-33	YTW34R.....	I-3	YTW36RT362REK.....	I-5
YTS48RTACCC2.....	I-49	YTU26R26R.....	H-33	YTW34R34REK.....	I-3	YTW36RT362REKHT.....	I-18
YTS49AR.....	I-34	YTU27R27R.....	H-33	YTW34R34REKHT.....	I-16	YTW36RT36REK.....	I-5
YTS49ART.....	I-36	YTU27R28R.....	H-33	YTW34RD.....	I-4	YTW36RT36REKHT.....	I-18
YTS49R483RS.....	I-7	YTU30R30R.....	H-33	YTW34RD34REK.....	I-4	YTW36RTH.....	I-18
YTS49R483RSHT.....	I-20	YTU321R26R.....	H-33	YTW391A.....	I-29	YTW391A.....	I-29
YTS49R48RS.....	I-7	YTU321R27R.....	H-33	YTW391A431AEK.....	I-29	YTW391AD.....	I-31
YTS49R48RSHT.....	I-20	YTU321R28R.....	H-33				

ALPHA-NUMERIC INDEX BY CATALOG NUMBER (Continued)

Catalog Number	Page #	Catalog Number	Page #	Catalog Number	Page #	Catalog Number	Page #
YTW391AD431AEK	1-31	YTW445ADT	1-32	YTW47A	1-29	YTW48RT	1-5
YTW391ADT	1-32	YTW445ADT463AEK	1-32	YTW47A47AEK	1-29	YTW48RT481REK	1-5
YTW391ADT431AEK	1-32	YTW445AT	1-30	YTW47AD	1-31	YTW48RT481REKHT	1-18
YTW391AT	1-30	YTW445AT463AEK	1-30	YTW47AD47AEK	1-31	YTW48RT48REKHT	1-5
YTW391AT431AEK	1-30	YTW451A	1-29	YTW47ADT	1-32	YTW48RT48REKHT	1-18
YTW39A	1-29	YTW451A463AEK	1-29	YTW47ADT47AEK	1-32	YTW48RT48THT	1-18
YTW39A39AEK	1-29	YTW451AD	1-31	YTW47AE	1-29, 1-30,	YTW49R	1-3
YTW39AD	1-31	YTW451AD463AEK	1-31	YTW47AT	1-30, 1-32	YTW49R483REK	1-3
YTW39AD39AEK	1-31	YTW451ADT	1-32	YTW47AT	1-30	YTW49R483REKHT	1-16
YTW39ADT	1-32	YTW451ADT463AEK	1-32	YTW47AT47AEK	1-30	YTW49R50REK	1-3
YTW39ADT39AEK	1-32	YTW451AT	1-30	YTW481RE	1-3, 1-4,	YTW49R50REKHT	1-16
YTW39AE	1-29, 1-30, 1-31, 1-32	YTW451AT463AEK	1-30	YTW481REHT	1-5, 1-6, 1-16, 1-17, 1-18, 1-19	YTW49RD	1-4
YTW39AT	1-30	YTW451R	1-3	YTW483RE	1-3, 1-4,	YTW49RD483REK	1-4
YTW39AT39AEK	1-30	YTW451R45REK	1-3	YTW483REHT	1-5, 1-6, 1-16, 1-17, 1-18, 1-19	YTW49RD483REKHT	1-17
YTW39R	1-3	YTW451R45REKHT	1-16	YTW484A	1-29	YTW49RD50REK	1-4
YTW39R43REK	1-3	YTW451R481REK	1-3	YTW484A484AEK	1-29	YTW49RD50REKHT	1-17
YTW39R43REKHT	1-16	YTW451R481REKHT	1-16	YTW484AD	1-31	YTW49RDHT	1-17
YTW39RD	1-4	YTW451R48REK	1-3	YTW484AD484AEK	1-31	YTW49RDT	1-6
YTW39RD43REK	1-4	YTW451R48REKHT	1-16	YTW484ADT	1-32	YTW49RDT483REK	1-6
YTW39RD43REKHT	1-17	YTW451RD	1-4	YTW484ADT484AEK	1-32	YTW49RDT483REKHT	1-19
YTW39RDHT	1-17	YTW451RD45REK	1-4	YTW484AE	1-29, 1-30, 1-31, 1-32	YTW49RDT50REK	1-6
YTW39RDT	1-6	YTW451RD45REKHT	1-17	YTW484AT	1-30	YTW49RDT50REKHT	1-19
YTW39RDT43REK	1-6	YTW451RD481REK	1-4	YTW484AT484AEK	1-30	YTW49RDHT	1-16
YTW39RDT43REKHT	1-19	YTW451RD481REKHT	1-17	YTW486A	1-29	YTW49RT	1-5
YTW39RDHT	1-19	YTW451RD48REK	1-4	YTW486A486AEK	1-29	YTW49RT483REK	1-5
YTW39RE15ACCCCK4	1-47	YTW451RD48REKHT	1-17	YTW486AD	1-31	YTW49RT483REKHT	1-18
YTW39RED15ACCCCK4	1-47	YTW451RDHT	1-17	YTW486AD486AEK	1-31	YTW49RT50REK	1-5
YTW39RHT	1-16	YTW451RDT	1-6	YTW486ADT	1-32	YTW49RT50REKHT	1-18
YTW39RT	1-5	YTW451RDT45REK	1-6	YTW486ADT486AEK	1-32	YTW49RTHT	1-18
YTW39RT43REK	1-5	YTW451RDT45REKHT	1-19	YTW486AE	1-29, 1-30, 1-31, 1-32	YTW50RE	1-3, 1-4, 1-5, 1-6
YTW39RT43REKHT	1-18	YTW451RDT481REK	1-6	YTW486AT	1-30	YTW50REHT	1-16, 1-17, 1-18, 1-19
YTW39RTACCC2	1-49	YTW451RDT481REKHT	1-19	YTW486AT486AEK	1-30	YTW52RE	1-3, 1-4, 1-5, 1-6
YTW39RTHT	1-18	YTW451RDT48REK	1-6	YTW48A	1-29	YTW52REHT	1-16, 1-17, 1-18, 1-19
YTW431A	1-29	YTW451RDT48REKHT	1-19	YTW48A484AEK	1-29	YTW52R	1-3, 1-4, 1-5, 1-6
YTW431A431AEK	1-29	YTW451RDHT	1-19	YTW48AD	1-31	YTW52R50REK	1-3
YTW431AD	1-31	YTW451RE15ACCCCK4	1-47	YTW48AD484AEK	1-31	YTW52R50REKHT	1-16
YTW431AD431AEK	1-31	YTW451RED15ACCCCK4	1-47	YTW48ADT	1-32	YTW52R521REK	1-3
YTW431ADT	1-32	YTW451RHT	1-16	YTW48ADT484AEK	1-32	YTW52R521REKHT	1-16
YTW431ADT431AEK	1-32	YTW451RT	1-5	YTW48ADT484AEK	1-32	YTW52R56REK	1-3
YTW431AE	1-29, 1-30, 1-31, 1-32	YTW451RT45REK	1-5	YTW48ADT484AEK	1-30	YTW52R56REKHT	1-16
YTW431AT	1-30	YTW451RT45REKHT	1-18	YTW48A	1-3	YTW52RD	1-4
YTW431AT431AEK	1-30	YTW451RT481REK	1-5	YTW48R	1-3	YTW52RD50REK	1-4
YTW43R	1-3	YTW451RT481REKHT	1-18	YTW48R481REK	1-3	YTW52RD50REKHT	1-17
YTW43R43REK	1-3	YTW451RT48REK	1-5	YTW48R481REKHT	1-16	YTW52RD50REKHT	1-17
YTW43R43REKHT	1-16	YTW451RT48REKHT	1-18	YTW48R48REK	1-3	YTW52RD521REK	1-4
YTW43RD	1-4	YTW451RTHT	1-18	YTW48R48REKHT	1-16	YTW52RD521REKHT	1-17
YTW43RD43REK	1-4	YTW457A	1-29	YTW48RD	1-4	YTW52RD56REK	1-4
YTW43RD43REKHT	1-17	YTW457A463AEK	1-29	YTW48RD481REK	1-4	YTW52RD56REKHT	1-17
YTW43RDHT	1-17	YTW457AD	1-31	YTW48RD481REKHT	1-17	YTW52RDHT	1-17
YTW43RDT	1-6	YTW457AD463AEK	1-31	YTW48RD48REK	1-4	YTW52RDT	1-6
YTW43RDT43REK	1-6	YTW457ADT	1-32	YTW48RD48REKHT	1-17	YTW52RDT50REK	1-6
YTW43RDT43REKHT	1-19	YTW457AT	1-30	YTW48RD48REKHT	1-17	YTW52RDT50REKHT	1-19
YTW43RDHT	1-19	YTW457AT463AEK	1-30	YTW48RD48THT	1-17	YTW52RDT521REK	1-19
YTW43RE	1-3, 1-4, 1-5, 1-6	YTW45RE	1-3, 1-4, 1-5, 1-6	YTW48RDT	1-6	YTW52RDT521REKHT	1-19
YTW43RE15ACCCCK4	1-47	YTW45REHT	1-16, 1-17, 1-18, 1-19	YTW48RD	1-4	YTW52RD56REKHT	1-19
YTW43RED15ACCCCK4	1-47	YTW463A	1-29	YTW48RD481REK	1-4	YTW52RD56REKHT	1-19
YTW43REHT	1-16, 1-17, 1-18, 1-19	YTW463A463AEK	1-29	YTW48RD481REKHT	1-19	YTW52RD56REKHT	1-19
YTW43RHT	1-16	YTW463AD	1-31	YTW48RD481REKHT	1-19	YTW52RD56REKHT	1-19
YTW43RT	1-5	YTW463AD463AEK	1-31	YTW48RD481REKHT	1-19	YTW52RD56REKHT	1-19
YTW43RT43REK	1-5	YTW463ADT	1-32	YTW48RD481REKHT	1-19	YTW52RD56REKHT	1-19
YTW43RT43REKHT	1-18	YTW463ADT463AEK	1-32	YTW48RD481REKHT	1-19	YTW52RD56REKHT	1-19
YTW43RTH	1-18	YTW463AE	1-29, 1-30, 1-31, 1-32	YTW48RE	1-3, 1-4, 1-5, 1-6	YTW52RD56REKHT	1-19
YTW445A	1-29	YTW463AT	1-30	YTW48REHT	1-16, 1-17, 1-18, 1-19	YTW52RD56REKHT	1-19
YTW445A463AEK	1-29	YTW463AT463AEK	1-30	YTW48REHT	1-16, 1-17, 1-18, 1-19	YTW52RD56REKHT	1-19
YTW445AD	1-31	YTW470MRE15ACK5	1-47	YTW48REHT	1-16, 1-17, 1-18, 1-19	YTW52RD56REKHT	1-19
YTW445AD463AEK	1-31	YTW470MRED15ACK5	1-47	YTW48RHT	1-16	YTW52RT	1-16, 1-18

ALPHA-NUMERIC INDEX BY CATALOG NUMBER (Continued)

Catalog Number	Page #	Catalog Number	Page #	Catalog Number	Page #	Catalog Number	Page #
YTW52RT56REK.....	I-5	YTW58RDT58REKHT.....	I-19	Z2529.....	K-33, K-34	Z3340.....	K-33, K-34
YTW52RT56REKHT.....	I-18	YTW58RDHT.....	I-19	Z2530.....	K-33, K-34	Z3344.....	K-34
YTW52RTHT.....	I-18	YTW58RE.....	I-3, I-4, I-5, I-6	Z2532.....	K-33, K-34	Z3434.....	K-33, K-34
YTW549R.....	I-3	YTW58REHT.....	I-16, I-17, I-18, I-19	Z2534.....	K-33, K-34	Z3436.....	K-33, K-34
YTW549R521REK.....	I-3	YTW58RHT.....	I-16	Z2536.....	K-34	Z3440.....	K-33, K-34
YTW549R521REKHT.....	I-16	YTW58RT.....	I-5	Z2628.....	K-34	Z3444.....	K-33, K-34
YTW549R549REK.....	I-3	YTW58RTHT.....	I-18	Z2629.....	K-33, K-34	Z34NR.....	K-32
YTW549R549REKHT.....	I-16	YTW58RT58REK.....	I-5	Z2630.....	K-33, K-34	Z34NRB.....	K-32
YTW549R56REK.....	I-3	YTW58RT58REKHT.....	I-18	Z2632.....	K-33, K-34	Z34P.....	K-31
YTW549R56REKHT.....	I-16	YTW58RTHT.....	I-18	Z2634.....	K-33, K-34	Z3536.....	K-33
YTW549RD.....	I-4	YTW590RE.....	I-3, I-4, I-5, I-6	Z2636.....	K-34	Z3540.....	K-33
YTW549RD521REK.....	I-4	YTW590REHT.....	I-16, I-17, I-18, I-19	Z2640.....	K-34	Z3544.....	K-33
YTW549RD521REKHT.....	I-17	YTW591RE.....	I-3, I-4, I-5, I-6	Z2728.....	K-33, K-34	Z3636.....	K-33, K-34
YTW549RD549REK.....	I-4	YTW591REHT.....	I-16, I-17, I-18, I-19	Z2729.....	K-34	Z3640.....	K-33, K-34
YTW549RD549REKHT.....	I-17	YTW591RE.....	I-3, I-4, I-5, I-6	Z2730.....	K-33, K-34	Z3644.....	K-33, K-34
YTW549RD56REK.....	I-4	YTW591REHT.....	I-16, I-17, I-18, I-19	Z2732.....	K-33, K-34	Z36NR.....	K-32
YTW549RD56REKHT.....	I-17	YTW59R.....	I-3	Z2734.....	K-33, K-34	Z-37.5.....	K-60
YTW549RDHT.....	I-17	YTW59R591REK.....	I-3	Z2736.....	K-34	Z3740.....	K-33
YTW549RDT.....	I-6	YTW59R591REKHT.....	I-16	Z2740.....	K-34	Z3744.....	K-33
YTW549RDT521REK.....	I-6	YTW59R591REKHT.....	I-16	Z2828.....	K-33	Z3840.....	K-33
YTW549RDT521REKHT.....	I-19	YTW59RD591REK.....	I-4	Z2829.....	K-33, K-34	Z3844.....	K-33
YTW549RDT549REK.....	I-6	YTW59RD591REKHT.....	I-17	Z2830.....	K-33, K-34	Z3940.....	K-33
YTW549RDT549REKHT.....	I-19	YTW59RD591REKHT.....	I-17	Z2832.....	K-33, K-34	Z3944.....	K-33
YTW549RDT56REK.....	I-6	YTW59RDHT.....	I-17	Z2834.....	K-33, K-34	Z3C28.....	K-34
YTW549RDT56REKHT.....	I-19	YTW59RDT.....	I-6	Z2836.....	K-34	Z4040.....	K-33
YTW549RDHT.....	I-19	YTW59RDT591REK.....	I-19	Z2840.....	K-34	Z4044.....	K-33
YTW549RE.....	I-3, I-4, I-5, I-6	YTW59RDT591REKHT.....	I-17	Z2844.....	K-34	Z40NR.....	K-32
YTW549REHT.....	I-16, I-17, I-18, I-19	YTW59RD591REKHT.....	I-17	Z28NR.....	K-32	Z40NRA.....	K-32
YTW549RHT.....	I-16	YTW59RDHT.....	I-17	Z2929.....	K-33, K-34	Z40P.....	K-31
YTW549RT.....	I-5	YTW59RDT.....	I-6	Z2930.....	K-33, K-34	Z4144.....	K-33
YTW549RT521REK.....	I-5	YTW59RDT591REK.....	I-19	Z2932.....	K-33, K-34	Z4244.....	K-33
YTW549RT521REKHT.....	I-18	YTW59RDT591REKHT.....	I-19	Z2934.....	K-33, K-34	Z4344.....	K-33
YTW549RT549REK.....	I-5	YTW59RDT591REKHT.....	I-19	Z2936.....	K-33, K-34	Z-44.....	K-60
YTW549RT549REKHT.....	I-18	YTW59RDT59REK.....	I-6	Z2940.....	K-33, K-34	Z4444.....	K-33
YTW549RT56REK.....	I-5	YTW59RDT59REKHT.....	I-19	Z2944.....	K-34	Z44NR.....	K-32
YTW549RT56REKHT.....	I-18	YTW59RDHT.....	I-19	Z29NR.....	K-32	Z4C28.....	K-33
YTW549RTHT.....	I-18	YTW59RE.....	I-3, I-4, I-5, I-6	Z29P.....	K-31	Z4C29.....	K-33
YTW56R.....	I-3	YTW59REHT.....	I-16, I-17, I-18, I-19	Z2C28.....	K-33, K-34	Z4C30.....	K-33
YTW56R590REK.....	I-3	YTW59RHT.....	I-16	Z2C29.....	K-33, K-34	Z-50.....	K-60
YTW56R590REKHT.....	I-16	YTW59RT.....	I-5	Z2C30.....	K-33	Z6C28.....	K-33
YTW56RD.....	I-4	YTW59RT591REK.....	I-5	Z2C32.....	K-33	Z6C29.....	K-33
YTW56RD590REK.....	I-4	YTW59RT591REKHT.....	I-18	Z2C34.....	K-33	Z6C30.....	K-33
YTW56RD590REKHT.....	I-17	YTW59RT591REKHT.....	I-18	Z2MLDN2-20.....	K-29	Z-7.5.....	K-60
YTW56RDHT.....	I-17	YTW59RT591REKHT.....	I-18	Z2MLDN2-30.....	K-29	Z72C3029.....	K-36
YTW56RDT.....	I-6	YTW59RT59REK.....	I-5	Z2MLDN2-30B.....	K-29	Z88C3429.....	K-36
YTW56RDT590REK.....	I-6	YTW59RT59REKHT.....	I-18	Z2MLDN4-20.....	K-29	ZM10-15.....	K-9
YTW56RDT590REKHT.....	I-19	YTW59RTHT.....	I-18	Z2MLDN4-30.....	K-29	ZM10-25.....	K-15
YTW56RDHT.....	I-19	YTW610MRE15ACK5.....	I-48	Z2MLDN4-30B.....	K-29	ZM10-25B.....	K-15
YTW56RE.....	I-3, I-4, I-5, I-6	YTW610MRED15ACK5.....	I-48	Z2MLDN6-20.....	K-29	ZM10-30.....	K-21
YTW56REHT.....	I-16, I-17, I-18, I-19	YTW690MRE15ACK5.....	I-48	Z2MLDN6-30.....	K-29	ZM10-30B.....	K-21
YTW56RHT.....	I-16	YTW690MRED15ACK5.....	I-48	Z2MLDN6-30B.....	K-29	ZM12-15.....	K-9
YTW56RT.....	I-5	YTW710MRE15ACK5.....	I-48	Z-30.....	K-60	ZM12-25.....	K-15
YTW56RT590REK.....	I-5	YTW710MRED15ACK5.....	I-48	Z3030.....	K-33	ZM12-25B.....	K-15
YTW56RT590REKHT.....	I-18	YTW760MRE15ACK5.....	I-48	Z3032.....	K-33	ZM12-30.....	K-21
YTW56RTHT.....	I-18	YTW760MRED15ACK5.....	I-48	Z3034.....	K-33	ZM12-30B.....	K-21
YTW570MRE15ACK5.....	I-48	YTW780MRE15ACK5.....	I-48	Z3036.....	K-33	ZM14-15.....	K-9
YTW570MRED15ACK5.....	I-48	Z104C4034.....	K-36	Z3040.....	K-33	ZM14-25.....	K-15
YTW58R.....	I-3	Z104C4434.....	K-36	Z30NR.....	K-32	ZM14-25B.....	K-15
YTW58R58REK.....	I-3	Z-11.....	K-60	Z3132.....	K-33	ZM14-30.....	K-21
YTW58R58REKHT.....	I-16	Z144C4840.....	K-36	Z3134.....	K-33	ZM14-30B.....	K-21
YTW58RD.....	I-4	Z-15.....	K-60	Z3136.....	K-33	ZM16-15.....	K-9
YTW58RD58REK.....	I-4	Z1C28.....	K-34	Z3140.....	K-33	ZM16-25.....	K-15
YTW58RD58REKHT.....	I-17	Z1C29.....	K-33, K-34	Z3232.....	K-33, K-34	ZM16-25B.....	K-15
YTW58RDHT.....	I-17	Z1C30.....	K-33, K-34	Z3234.....	K-33, K-34	ZM16-30.....	K-21
YTW58RDT.....	I-6	Z1C32.....	K-33, K-34	Z3236.....	K-33, K-34	ZM16-30B.....	K-21
YTW58RDT58REK.....	I-6	Z1C34.....	K-33	Z3240.....	K-33, K-34	ZM4-15.....	K-9
YTW58RDT58REKHT.....	I-6	Z22.5.....	K-60	Z3244.....	K-34	ZM4-25.....	K-15
YTW58RDT58REKHT.....	I-6	Z-25.....	K-60	Z32NR.....	K-32	ZM4-25B.....	K-15
YTW58RDT58REKHT.....	I-6	Z2528.....	K-33, K-34	Z3334.....	K-33, K-34	ZM4-30.....	K-21
YTW58RDT58REKHT.....	I-6			Z3336.....	K-33, K-34	ZM4-30B.....	K-21

ALPHA-NUMERIC INDEX BY CATALOG NUMBER (Continued)

Catalog Number	Page #	Catalog Number	Page #	Catalog Number	Page #	Catalog Number	Page #
ZM6-15.....	K-9	ZMK4-25A4.....	K-20	ZML4-25B.....	K-18	ZMLDN4-30B.....	K-28
ZM6-25.....	K-15	ZMK4-25B.....	K-20	ZML4-25B12.....	K-18	ZMLDN5-15.....	K-27
ZM6-25B.....	K-15	ZMK4-25B12.....	K-20	ZML4-30.....	K-24	ZMLDN5-20.....	K-27
ZM6-30.....	K-21	ZMK430.....	K-26	ZML4-30B.....	K-24	ZMLDN5-20B.....	K-27
ZM6-30B.....	K-21	ZMK430B.....	K-26	ZML5-15.....	K-12	ZMLDN5-25.....	K-28
ZM8-15.....	K-9	ZMK5-15.....	K-14	ZML5-15A3.....	K-12	ZMLDN5-25B.....	K-28
ZM8-25.....	K-15	ZMK5-15A3.....	K-14	ZML5-25.....	K-18	ZMLDN5-30.....	K-28
ZM8-25B.....	K-15	ZMK5-15A4.....	K-14	ZML5-25A3.....	K-18	ZMLDN5-30B.....	K-28
ZM8-30.....	K-21	ZMK5-25.....	K-20	ZML5-25B.....	K-18	ZMLDN6-15.....	K-27
ZM8-30B.....	K-21	ZMK5-25A4.....	K-20	ZML5-25B12.....	K-18	ZMLDN6-20.....	K-27
ZMDN3-20.....	K-30	ZMK5-25B.....	K-20	ZML5-30.....	K-24	ZMLDN6-20B.....	K-27
ZMDN3-20B.....	K-30	ZMK5-25B12.....	K-20	ZML5-30B.....	K-24	ZMLDN6-25.....	K-28
ZMDN3-25.....	K-30	ZMK530.....	K-26	ZML6-15.....	K-12	ZMLDN6-25B.....	K-28
ZMDN4-20.....	K-30	ZMK530B.....	K-26	ZML6-15A3.....	K-12	ZMLDN6-30.....	K-28
ZMDN4-20B.....	K-30	ZMK6-15.....	K-14	ZML6-25.....	K-18	ZMLDN6-30B.....	K-28
ZMDN4-25.....	K-30	ZMK6-15A3.....	K-14	ZML6-25A3.....	K-18	ZMS29.....	K-35
ZMDN5-20.....	K-30	ZMK6-15A4.....	K-14	ZML6-25B.....	K-18	ZMS34.....	K-35
ZMDN5-20B.....	K-30	ZMK6-25.....	K-20	ZML6-25B12.....	K-18	ZMS40.....	K-35
ZMDN5-25.....	K-30	ZMK6-25A4.....	K-20	ZML6-30.....	K-24	ZMT11-15.....	K-10
ZMDN6-20.....	K-30	ZMK6-25B.....	K-20	ZML6-30B.....	K-24	ZMT11-15A3.....	K-10
ZMDN6-20B.....	K-30	ZMK6-25B12.....	K-20	ZML7-15.....	K-12	ZMT11-25.....	K-16
ZMDN6-25.....	K-30	ZMK630.....	K-26	ZML7-15A3.....	K-12	ZMT11-25A3.....	K-16
ZME2-15.....	K-11	ZMK630B.....	K-26	ZML7-25.....	K-18	ZMT11-25B.....	K-16
ZME2-25.....	K-17	ZMK7-15.....	K-14	ZML7-25A3.....	K-18	ZMT11-25B12.....	K-16
ZME2-25B.....	K-17	ZMK7-15A3.....	K-14	ZML7-25B.....	K-18	ZMT11-30.....	K-22
ZME230.....	K-23	ZMK7-15A4.....	K-14	ZML7-25B12.....	K-18	ZMT11-30B.....	K-22
ZME230B.....	K-23	ZMK7-25.....	K-20	ZML7-30.....	K-24	ZMT13-15.....	K-10
ZME3-15.....	K-11	ZMK7-25A4.....	K-20	ZML7-30B.....	K-24	ZMT13-15A3.....	K-10
ZME3-25.....	K-17	ZMK7-25B.....	K-20	ZML8-15.....	K-12	ZMT13-25.....	K-16
ZME3-25B.....	K-17	ZMK7-25B12.....	K-20	ZML8-25.....	K-18	ZMT13-25A3.....	K-16
ZME330.....	K-23	ZMK730.....	K-26	ZML8-25A3.....	K-18	ZMT13-25B.....	K-16
ZME330B.....	K-23	ZMK730B.....	K-26	ZML8-25B.....	K-18	ZMT13-25B12.....	K-16
ZME4-15.....	K-11	ZMK8-15.....	K-14	ZML8-25B12.....	K-18	ZMT13-30.....	K-22
ZME4-25.....	K-17	ZMK8-15A3.....	K-14	ZML8-30.....	K-24	ZMT13-30B.....	K-22
ZME4-25B.....	K-17	ZMK8-15A4.....	K-14	ZML8-30B.....	K-24	ZMT15-15.....	K-10
ZME430.....	K-23	ZMK8-25.....	K-20	ZML9-15.....	K-12	ZMT15-15A3.....	K-10
ZME430B.....	K-23	ZMK8-25A4.....	K-20	ZML9-15A3.....	K-12	ZMT15-25.....	K-16
ZME5-15.....	K-11	ZMK8-25B.....	K-20	ZML9-25.....	K-18	ZMT15-25A3.....	K-16
ZME5-25.....	K-17	ZMK8-25B12.....	K-20	ZML9-25A3.....	K-18	ZMT15-25B.....	K-16
ZME5-25B.....	K-17	ZMK830.....	K-26	ZML9-25B.....	K-18	ZMT15-25B12.....	K-16
ZME530.....	K-23	ZMK830B.....	K-26	ZML9-25B12.....	K-18	ZMT15-30.....	K-22
ZME530B.....	K-23	ZMK9-15.....	K-14	ZML9-30.....	K-24	ZMT15-30B.....	K-22
ZME6-15.....	K-11	ZMK9-15A3.....	K-14	ZML9-30B.....	K-24	ZMT17-15.....	K-10
ZME6-25.....	K-17	ZMK9-15A4.....	K-14	ZMLDN1-15.....	K-27	ZMT17-15A3.....	K-10
ZME6-25B.....	K-17	ZMK9-25.....	K-20	ZMLDN1-20.....	K-27	ZMT17-25.....	K-16
ZME630.....	K-23	ZMK9-25A4.....	K-20	ZMLDN1-20B.....	K-27	ZMT17-25A3.....	K-16
ZME630B.....	K-23	ZMK9-25B.....	K-20	ZMLDN1-25.....	K-28	ZMT17-25B.....	K-16
ZME7-15.....	K-11	ZMK9-25B12.....	K-20	ZMLDN1-25B.....	K-28	ZMT17-25B12.....	K-16
ZME7-25.....	K-17	ZMK930.....	K-26	ZMLDN1-30.....	K-28	ZMT17-30.....	K-22
ZME7-25B.....	K-17	ZML0-15A3.....	K-12	ZMLDN1-30B.....	K-28	ZMT17-30B.....	K-22
ZME730.....	K-23	ZML2-15.....	K-12	ZMLDN2-15.....	K-27	ZMT3-15.....	K-10
ZME730B.....	K-23	ZML2-15A3.....	K-12	ZMLDN2-20.....	K-27	ZMT3-15A3.....	K-10
ZME8-15.....	K-11	ZML2-25.....	K-18	ZMLDN2-20B.....	K-27	ZMT3-25.....	K-16
ZME8-25.....	K-17	ZML2-25A3.....	K-18	ZMLDN2-25.....	K-28	ZMT3-25B.....	K-16
ZME8-25B.....	K-17	ZML2-25B.....	K-18	ZMLDN2-25B.....	K-28	ZMT3-25A3.....	K-16
ZME830.....	K-23	ZML2-25B12.....	K-18	ZMLDN2-30.....	K-28	ZMT3-25B12.....	K-16
ZME830B.....	K-23	ZML2-30.....	K-24	ZMLDN2-30B.....	K-28	ZMT3-30.....	K-22
ZMK10-15.....	K-14	ZML2-30B.....	K-24	ZMLDN3-15.....	K-27	ZMT3-30B.....	K-22
ZMK10-15A3.....	K-14	ZML3-15.....	K-12	ZMLDN3-20.....	K-27	ZMT5-15.....	K-10
ZMK10-15A4.....	K-14	ZML3-15A3.....	K-12	ZMLDN3-20B.....	K-27	ZMT5-15A3.....	K-10
ZMK10-25.....	K-20	ZML3-25.....	K-18	ZMLDN3-25.....	K-28	ZMT5-25.....	K-16
ZMK10-25A4.....	K-20	ZML3-25A3.....	K-18	ZMLDN3-25B.....	K-28	ZMT5-25A3.....	K-16
ZMK10-25B.....	K-20	ZML3-25B.....	K-18	ZMLDN3-30.....	K-28	ZMT5-25B.....	K-16
ZMK10-25B12.....	K-20	ZML3-25B12.....	K-18	ZMLDN3-30B.....	K-28	ZMT5-25B12.....	K-16
ZMK1030.....	K-26	ZML3-30.....	K-24	ZMLDN4-15.....	K-27	ZMT5-30.....	K-22
ZMK1030B.....	K-26	ZML3-30B.....	K-24	ZMLDN4-20.....	K-27	ZMT5-30B.....	K-22
ZMK4-15.....	K-14	ZML4-15.....	K-12	ZMLDN4-20B.....	K-27	ZMT7-15.....	K-10
ZMK4-15A3.....	K-14	ZML4-15A3.....	K-12	ZMLDN4-25.....	K-28	ZMT7-15A3.....	K-10
ZMK4-15A4.....	K-14	ZML4-25.....	K-18	ZMLDN4-25B.....	K-28	ZMT7-25.....	K-16
ZMK4-25.....	K-20	ZML4-25A3.....	K-18	ZMLDN4-30.....	K-28	ZMT7-25A3.....	K-16

ALPHA-NUMERIC INDEX BY CATALOG NUMBER (Continued)

Catalog Number	Page #	Catalog Number	Page #
ZMT7-25B.....	K-16	ZMX6-25.....	K-19
ZMT7-25B12.....	K-16	ZMX6-25A4.....	K-19
ZMT7-30.....	K-22	ZMX6-25B.....	K-19
ZMT7-30B.....	K-22	ZMX6-25B12.....	K-19
ZMT9-15.....	K-10	ZMX6-30.....	K-25
ZMT9-15A3.....	K-10	ZMX6-30B.....	K-25
ZMT9-25.....	K-16	ZMX8-15.....	K-13
ZMT9-25A3.....	K-16	ZMX8-15A3.....	K-13
ZMT9-25B.....	K-16	ZMX8-15A4.....	K-13
ZMT9-25B12.....	K-16	ZMX8-25.....	K-19
ZMT9-30B.....	K-22	ZMX8-25A4.....	K-19
ZMTDN1015.....	K-31	ZMX8-25B.....	K-19
ZMTDN81025.....	K-31	ZMX8-25B12.....	K-19
ZMTDN815.....	K-31	ZMX8-30.....	K-25
ZMTDN820.....	K-31	ZMX8-30B.....	K-25
ZMX10-15.....	K-13		
ZMX10-15A3.....	K-13		
ZMX10-15A4.....	K-13		
ZMX10-25.....	K-19		
ZMX10-25A4.....	K-19		
ZMX10-25B.....	K-19		
ZMX10-25B12.....	K-19		
ZMX10-30.....	K-25		
ZMX10-30B.....	K-25		
ZMX12-15.....	K-13		
ZMX12-15A3.....	K-13		
ZMX12-15A4.....	K-13		
ZMX12-25.....	K-19		
ZMX12-25A4.....	K-19		
ZMX12-25B.....	K-19		
ZMX12-25B12.....	K-19		
ZMX12-30.....	K-25		
ZMX14-15.....	K-13		
ZMX14-15A3.....	K-13		
ZMX14-15A4.....	K-13		
ZMX14-25.....	K-19		
ZMX14-25A4.....	K-19		
ZMX14-25B.....	K-19		
ZMX14-25B12.....	K-19		
ZMX14-30.....	K-25		
ZMX14-30B.....	K-25		
ZMX16-15.....	K-13		
ZMX16-15A3.....	K-13		
ZMX16-15A4.....	K-13		
ZMX16-25.....	K-19		
ZMX16-25A4.....	K-19		
ZMX16-25B.....	K-19		
ZMX16-25B12.....	K-19		
ZMX16-30.....	K-25		
ZMX18-15.....	K-13		
ZMX18-15A3.....	K-13		
ZMX18-15A4.....	K-13		
ZMX18-25.....	K-19		
ZMX18-25A4.....	K-19		
ZMX18-25B.....	K-19		
ZMX18-25B12.....	K-19		
ZMX18-30.....	K-25		
ZMX18-30B.....	K-25		
ZMX4-15.....	K-13		
ZMX4-15A3.....	K-13		
ZMX4-15A4.....	K-13		
ZMX4-25.....	K-19		
ZMX4-25A4.....	K-19		
ZMX4-25B.....	K-19		
ZMX4-25B12.....	K-19		
ZMX4-30.....	K-25		
ZMX4-30B.....	K-25		
ZMX6-15.....	K-13		
ZMX6-15A3.....	K-13		
ZMX6-15A4.....	K-13		

TERMS AND CONDITIONS

1. **Applicability.** Burndy, LLC ("Seller") hereby offers for sale to the buyer named on the face hereof ("Buyer") the products listed on the face hereof (the "Products") on the express condition that Buyer agrees to accept and be bound by the terms and conditions set forth herein. Any provisions contained in any document issued by Buyer are expressly rejected and if these terms and conditions differ from the terms of Buyer's offer, this document shall be construed as a counter offer and shall not be effective as an acceptance of Buyer's document. Buyer's receipt of Products provided hereunder will constitute Buyer's acceptance of these terms and conditions. This is the complete and exclusive statement of the contract between Seller and Buyer with respect to Buyer's purchase of the Products. No waiver, consent, modification, amendment or change of the terms contained herein shall be binding unless in writing and signed by Seller and Buyer. Seller's failure to object to terms contained in any subsequent communication from Buyer will not be a waiver or modification of the terms set forth herein. All orders are subject to acceptance in writing by an authorized representative of Seller.
2. **Prices.** Prices in written quotations issued by Seller are valid for thirty (30) days. All other prices are subject to change at any time, unless otherwise expressly agreed by Seller. Any prices shown in published literature are maintained as a general source of information and are not quotations or offers to sell. Seller reserves the right to make corrections due to typographical, clerical or engineering errors or due to incomplete or inaccurate information from Buyer. Prices for accepted orders may change due to customer order, quantity, material or engineering changes.
3. **Taxes.** Prices do not include any state, local, use or excise taxes, duties or other charges now or hereafter imposed for which Seller may be liable as a result of the sale, use or delivery of the Products ("Taxes"). In the absence of proper evidence of exemption supplied by Buyer to Seller, Buyer will be responsible for any and all such Taxes.
4. **Minimum Order Quantity.** Orders are subject to standard package sizes.
5. **Payment Terms.** Subject to credit approval, unless otherwise specified on the quotation or invoice, payment terms shall be Net 30 days from the date of invoice. All payment shall be in US dollars. If Buyer fails to pay any amounts when due, Buyer agrees to pay Seller interest thereon at a periodic rate of the greater of the maximum percentage allowed by law or 1% per month. Buyer will also be responsible for all costs and expenses, including attorneys' fees incurred by Seller in collecting any overdue amounts or otherwise enforcing Seller's rights hereunder.
6. **Shipping and Delivery.** Estimated delivery dates are provided in the quotation or acknowledgment, and shall not represent a fixed or guaranteed ship date. Unless otherwise agreed to by Seller, Seller reserves the right to ship at its convenience and/or ship and invoice for partial orders. All deliveries are FCA Seller's location (INCOTERMS 2010); freight may be pre-paid and added to invoice. Seller may stop delivery of Products in transit and/or withhold shipments in whole or in part if Buyer fails to make any payment to Seller when due or otherwise fails to perform under these terms. In the event of a delay due to any cause beyond Seller's reasonable control, Seller reserves the right to terminate the order or to reschedule the shipment within a reasonable period of time, and Seller shall not be responsible for any damages resulting from delay. If delivery is delayed due to any cause within Buyer's control, Seller may place the Products in storage at Buyer's risk and expense and for Buyer's account.
7. **Title and Risk of Loss.** Title and risk of loss to the Products shall pass to Buyer upon delivery by Seller to the carrier.
8. **Cancellations. Returns.** Orders may not be cancelled or modified once accepted by Seller unless agreed upon in writing by Seller. Any cancellation or return of Products shall be subject to Seller's return policies, and may be subject to Seller's cancellation or restocking fee. Seller's restocking policy is available upon request. Non-stock or special order items are non-cancellable and non-returnable. No returns shall be permitted without a Return Material Authorization (RMA).
9. **Packaging. Allocation.** All Products are packaged in accordance with Seller's standard packaging, unless otherwise agreed upon by the parties. Additional or modified packaging requirements may result in an increase in price. In the event of inability for any reason to supply the total demand for the materials or Products specified, Seller may allocate its available supply among any or all purchasers, at its discretion and without liability for failure of performance that may result therefrom.
10. **Tooling.** Any tooling required for an initial order will be billed to Buyer. Any Non-Recurring Engineering (NRE) charges invoiced by Seller shall not be deemed to grant any right, title or interest in any tools, dies, jigs, fixtures and items of like nature, or in any design, engineering, trade secret, patent or other proprietary rights embodied in the tooling, upon Buyer's payment of such charges and such items shall at all times be, and remain, the property of Seller.
11. **Warranty.**
 - 11.1 Seller warrants that the Products will perform substantially in accordance with Seller's published specifications (or other applicable specifications as agreed upon in writing by Seller) and will be free from defects in material and workmanship, when subject to normal, proper and intended usage by properly trained personnel, for the following warranty period, which shall begin on the date of shipment by Seller (the "Warranty Period"): (a) Tools: The Warranty Period shall be as specified in the product literature or, if no period is so specified, five (5) years; (b) UL listed Products: the Warranty Period shall be two (2) years; (c) for all other products, the Warranty Period shall be 30 days. (d) For UL Certified Compression Connection (the "Connection"), provided that the Connection is made using (i) a recommended and properly calibrated tool, (ii) a recommended and properly calibrated die set, and (iii) a compression connector manufactured by Seller and specified in the UL listing for such connection, and Buyer otherwise complies with the requirements set forth in the applicable UL listing, Seller warrants that the Connection will conform with the UL listing for a period of 5 years from the date the Connection is made, provided such Connection is made within one year of the purchase of the connector used in the Connection.
 - 11.2 **Remedies.** During the Warranty Period, Seller agrees to repair or replace Products in order to ensure that the Products perform in accordance with the applicable specifications provided that Buyer shall (a) promptly notify Seller in writing upon the discovery of any defect, which notice shall include the product model and serial number (if applicable) and details of the warranty claim; and (b) after Seller's review, Seller will provide Buyer with a RMA. Buyer may return the defective Products to Seller with all costs prepaid by Buyer. In case of a defect in the Connection during the Warranty Period, Seller shall replace the connector used to make such connection. All replaced parts shall become the property of Seller. Shipment to Buyer of repaired or replacement Products shall be made in accordance with the Delivery provisions herein. Any consumables, including but not limited to, bulbs and batteries, are excluded from warranty. Seller will have no obligation to make repairs, replacements or corrections which are defective as a result of: (i) **normal wear and tear**, (ii) **Buyer's misuse, fault or negligence**, (iii) **use of the Products in a manner for which they were not designed**, or (iv) **improper storage, maintenance, installation and handling of the Products, and in the case of the Connection, Buyer's failure to use Seller's Tool, connector and die set Products, as specified in 11.1 (d) above, and in accordance with the requirements of the UL listing for such Connection.** If Seller determines that Products for which Buyer has requested warranty services are not covered by the warranty hereunder, Buyer shall pay or reimburse Seller for all costs of investigating and responding to such request at Seller's then prevailing time and materials rates. If Seller provides repair services or replacement parts that are not covered by this warranty, Buyer shall pay Seller therefor at Seller's then prevailing time and materials rates. THE OBLIGATIONS CREATED BY THIS WARRANTY TO REPAIR OR REPLACE A DEFECTIVE PRODUCT SHALL BE THE SOLE REMEDY OF BUYER IN THE EVENT OF A DEFECTIVE PRODUCT OR SERVICE. EXCEPT AS EXPRESSLY PROVIDED HEREIN, SELLER DISCLAIMS ALL OTHER WARRANTIES, WHETHER EXPRESS OR IMPLIED, ORAL OR WRITTEN, WITH RESPECT TO THE PRODUCTS, INCLUDING WITHOUT LIMITATION ALL IMPLIED WARRANTIES OF MERCHANTABILITY OR FITNESS FOR ANY PARTICULAR PURPOSE. In no event will Seller's aggregate liability under warranty exceed the price paid by Buyer for the defective Product. Products supplied by Seller that are obtained by Seller from a third party supplier are not warranted by Seller. At its discretion and to the extent Seller is permitted, Seller agrees to assign to Buyer any warranty rights in such Product that Seller may have from the third party supplier. The Warranty Period for replacement Products shall be the remainder of the original Warranty Period.

TERMS AND CONDITIONS (Continued)

12. Intellectual Property. Seller's specifications and design of the Products and any developments, improvements and intellectual property created under this order, whether made solely by a party or jointly by Buyer and Seller ("Intellectual Property") shall be owned by Seller. Buyer is not granted any interest, right or license with respect to any such intellectual property, except to the extent required to use the Products for the purpose for which it is specifically provided to Buyer in accordance with these terms and conditions.

13. Software. With respect to any software incorporated in or forming a part of the Products hereunder ("Software"), Seller and Buyer intend and agree that such Software is being licensed and not sold. Notwithstanding anything to the contrary contained herein, Seller or its licensor, as the case may be, retains all rights and interest in Software. Seller hereby grants to Buyer a royalty-free, non-exclusive, nontransferable license, without power to sublicense, to use Software provided hereunder solely in connection with the Products and to use the related documentation solely for Buyer's own internal business purposes. This license will terminate when Buyer's lawful possession of the Products ceases, unless earlier terminated as provided herein. Buyer agrees to not sell, transfer, license, loan or otherwise make available in any form to Software to any third party. Buyer may not disassemble, decompile or reverse engineer, copy, modify, enhance or otherwise change or supplement the Software without Seller's prior written consent. Seller may terminate this license if Buyer fails to comply with any term or condition herein.

14. Indemnity. By Seller. Seller agrees to indemnify, defend and save Buyer from and against any and all damages, liabilities, actions, causes of action, suits, claims, demands, losses, costs and expenses (including without limitation reasonable attorney's fees) ("Claims") for (i) personal injury or death or damage to real property to the extent caused by the negligence or willful misconduct of Seller, its employees, agents or representatives in connection with the performance of services at Buyer's premises and (ii) claims that a Product infringes any valid United States patent, copyright or trade secret. Notwithstanding the foregoing, Seller shall have no liability the extent any such Claims are caused by either (i) the negligence or willful misconduct of Buyer or third party, (ii) use of a Product in combination with equipment or software not supplied by Seller where the Product would not itself be infringing, (iv) Seller's compliance with Buyer's designs, specifications or instructions, (v) use of the Product in an application or environment for which it was not designed or (vi) service, installation or modification of any Product except by Seller. Buyer shall provide Seller prompt written notice of any Claims and Seller shall have the right to assume exclusive control of the defense of such claim or, at the option of the Seller, to settle the same. Buyer agrees to cooperate reasonably with Seller in connection with the performance by Seller of its obligations in this Section. Notwithstanding the above, Seller's infringement related indemnification obligations shall be extinguished and relieved if Seller, at its discretion and at its own expense (a) procures for Buyer the right, at no additional expense to Buyer, to continue using the Product; (b) replaces or modifies the Product so that it becomes non-infringing, provided the modification or replacement does not adversely affect the specifications of the Product or (c) if neither of the preceding is reasonably practicable, refund the purchase price for the Product. THE FOREGOING INDEMNIFICATION PROVISION STATES SELLER'S ENTIRE LIABILITY TO BUYER FOR THE CLAIMS DESCRIBED HEREIN. **By Buyer.** Buyer shall indemnify, defend and hold harmless Seller from and against any and all Claims to the extent arising from or in connection with (i) the negligence or willful misconduct of Buyer; (ii) use of a Product in combination with equipment or software not supplied by Seller where the Product itself would not be infringing; (iii) Seller's compliance with designs, specifications or instructions supplied to Seller by Buyer; (iv) use of a Product in an application or environment for which it was not designed; or (v) modifications of a Product by anyone other than Seller.

15. Limitation of Liability. Notwithstanding anything to the contrary contained herein, Seller's aggregate liability for any claim of any kind shall not exceed the price paid by Buyer for the products giving rise to such claim. IN NO EVENT SHALL SELLER BE LIABLE FOR SPECIAL, INCIDENTAL, LIQUIDATED, OR CONSEQUENTIAL DAMAGES HOWSOEVER ARISING OUT OF SELLER'S PERFORMANCE (OR NON-PERFORMANCE) OF THE CONTRACT AND NOTWITHSTANDING WHETHER BUYER MAY HAVE BEEN ADVISED OR IS ADVISED OF THE POSSIBILITY OF SUCH DAMAGES.

16. Compliance with Laws. Export Laws. Seller agrees to observe and comply with all applicable federal, state and local laws, rules, regulations, including but not limited to all applicable laws, regulations, laws, treaties, and agreements relating to the export, re-export, and import of any Product or part of Product. Buyer shall not, without first obtaining any required license to do so from the appropriate U.S. government agency; (i) export or re-export any Product or part of a Product, or (ii) export, re-export, distribute or supply any Product or part of a Product to any restricted or embargoed country or to a person or entity whose privilege to participate in exports has been denied or restricted by the U.S. government. At Seller's request, Buyer will provide information on the end user and end use of any Product or part thereof exported or to be exported by Buyer. Buyer shall cooperate fully with Seller in any audit or inspection related to applicable export or import control laws or regulations, and shall indemnify and hold Seller harmless from, or in connection with, any violation of this section by Buyer or its employees, consultants, or agents.

17. Miscellaneous. (a) Any legal claim shall be controlled under the laws of the state of the Seller's primary place of business. Seller and Buyer agree to accept and be bound by the exclusive jurisdiction of the federal and state courts thereof. The application to this Agreement of the U.N. Convention on Contracts for the International Sale of Goods is hereby expressly excluded. (b) In the event that any one or more provisions contained in these terms shall be held by a court of competent jurisdiction to be invalid, illegal or unenforceable in any respect, the validity, legality and enforceability of the remaining provisions contained herein shall remain in full force and effect. (c) Seller's failure to enforce or waiver of a breach of any provision contained herein shall not constitute a waiver of any other breach or of such provision. (d) Any notice or communication required or permitted hereunder shall be in writing and shall be deemed received when personally delivered or three (3) business days after being sent by certified mail, postage prepaid, to a party at the address specified herein or at such other address as either party may from time to time designate to the other. (e) Buyer may not assign or delegate any rights or obligations without Seller's prior written consent. (f) Seller reserves the right to place a Lien and notifications of liens should Seller not be paid for equipment provided hereunder. (g) Buyer agrees that all pricing, discounts, data, design and technical information, operations/maintenance manuals, testing procedures, drawings, schematics and any other information regarding the Products or Seller's processes provided by Seller to Buyer are the confidential and proprietary information of Seller. Buyer agrees to (a) keep such information confidential and not disclose such information to any third party; and (b) use such information solely for Buyer's internal purposes and in connection with the Products supplied hereunder. Nothing herein shall restrict the use of information available to the general public.

INSTALLATION TOOLING SYSTEM														
Conductor		LUGS & SPLICES One & Two HOLE				TAPS Thin-Wall C-taps Run=Tap, AWG only			TAPS Heavy Duty C-Taps Run=Tap			TAPS H-Taps Run=Tap		
		Die	Color	Index	T&B Index Code (Flex)	Die	Color	Index	Die	Color	Index	Die	Color	Index
AWG	FLEX													
#8/#6 sol	#8	W8CVT U8CRT	RED	49	21	W4CVT	GRAY	8	U240	RED	240	U11T-1	GREEN	11
#6	#6	W5CVT U5CRT	BLUE	7	24	W2CVT	BROWN	10	UC	BROWN	C	UBGRT	ORANGE	BG
#4	#4	W4CVT U4CRT	GRAY	8	29	W25VT	PINK	12	UC	BROWN	C	UC	BROWN	C
#3/#2 sol		W3CRT U3CRT	WHITE	9		W26VT	BLACK	13	UC	BROWN	C	UC	BROWN	C
#2	#2	W2CVT U2CRT	BROWN	10	33	W27VT	ORANGE	14	UC	BROWN	C	UC	BROWN	C
#1	#1	W1CVT U1CRT-1	GREEN	11		W28VT	PURPLE	15	U997	ORANGE	997	U654	PURPLE	654
1/0	1/0	W25VT U25RT	PINK	12	42 (45)	W29VT	YELLOW	16	U997	ORANGE	997	U654	PURPLE	654
2/0	2/0	W26VT U26RT	BLACK	13	45 (50)		REFER TO CATALOG		U997	ORANGE	997	U654	PURPLE	654
3/0	3/0	W27VT U27RT	ORANGE	14					U997	ORANGE	997	U654	PURPLE	654
4/0	4/0	W28VT U28RT	PURPLE	15	54 (62)	-	-	-	U997	ORANGE	997	U654	PURPLE	654
250	4/0/ 250 class G & H	W29VT U29RT	YELLOW	16		-	-	-	U997	ORANGE	997	U654	PURPLE	654
300	250/ 250 class I, K & M	W30VT U30RT	WHITE	17		-	-	-	U1104	BROWN	1104	U1104	BROWN	1104
350	313	W31VT U31RT	RED	18	71	-	-	-	U1104	BROWN	1104	U1104	BROWN	1104
	350/ 373	W32VT U32RT	BLUE	19		-	-	-	U1104	BROWN	1104	U1104	BROWN	1104
500	444	W34VT U34RT	BROWN	20	87	-	-	-	U1104	BROWN	1104	U1104	BROWN	1104
	500/ 535	U38XRT	PINK	L99		-	-	-	P1103	BLUE	1103	PYFR	YELLOW	KR
600		U36RT	GREEN	22	(99)	-	-	-	P1103	BLUE	1103	PYFR	YELLOW	KR
700		U38RT	PINK	400		-	-	-	P1103	BLUE	1103	PYFR	YELLOW	KR
750	646	U39RT	BLACK	24	106	-	-	-	P1103	BLUE	1103	PYFR	YELLOW	KR
	750/ 777	U44XRT P44XRT-1	YELLOW	L115										
800		P40RT	ORANGE	25	(115)	-	-	-	P1102	WHITE	1102	PYFR	YELLOW	KR
1000		P44RT	WHITE	27		-	-	-	P1102	WHITE	1102	PYFR	YELLOW	KR

Trust the BURNDY® Engineered System

The BURNDY® Engineered System of coordinating dies, connectors and tools are always designed to work together and engineered to meet stringent, accepted quality standards.



www.burndy.com | 1-800-346-4175

Customer Service Department

7 Aviation Park Drive
Londonderry, NH 03053
1-800-346-4175
1-800-451-4956 (Technical Services)
1-603-647-5299 (International)

Canada

1-800-361-6975 (Quebec)
1-800-387-6487 (All other provinces)

Mexico

011-52-722-265-4400

Brazil

011-55-11-5515-7225

Tool Service Center

Littleton Industrial Park
Littleton, NH 03561
1-800-426-8720

Item # 591717

 **BURNDY**

Connecting Power to Your World®

